

# WatchMate Vision® INSTALL GUIDE



vespermarine

## Your WatchMate Vision® is a Class B AIS Transponder with a Colour Touch Display and integrated NMEA 2000 and WiFi connectivity.

The WatchMate provides information to improve your situational awareness and assist in avoiding collisions at sea. Because it consumes very low power it may be left turned on whenever your vessel is underway. It works by interpreting Universal Shipborne Automated Identification Systems (AIS) message which are sent over VHF by transponders installed on other vessels. The AIS system uses two dedicated VHF channels designated for this purpose and with the installation of the WatchMate to receive these signals you can view this information. You can also distribute this information to other devices on board your vessel (e.g. chart plotters, laptops, smart phones) using NMEA 2000, USB and WiFi. In addition, your vessel data is transmitted to other AIS-equipped vessels within range.

For more information on AIS go to [www.vespermarine.com/vision](http://www.vespermarine.com/vision)

### WHAT YOU NEED TO GET GOING

- WatchMate Vision
- Mounting Bracket
- 10 pin power/data cable
- AIS/VHF antenna
- MMSI number

✓ = Item Included

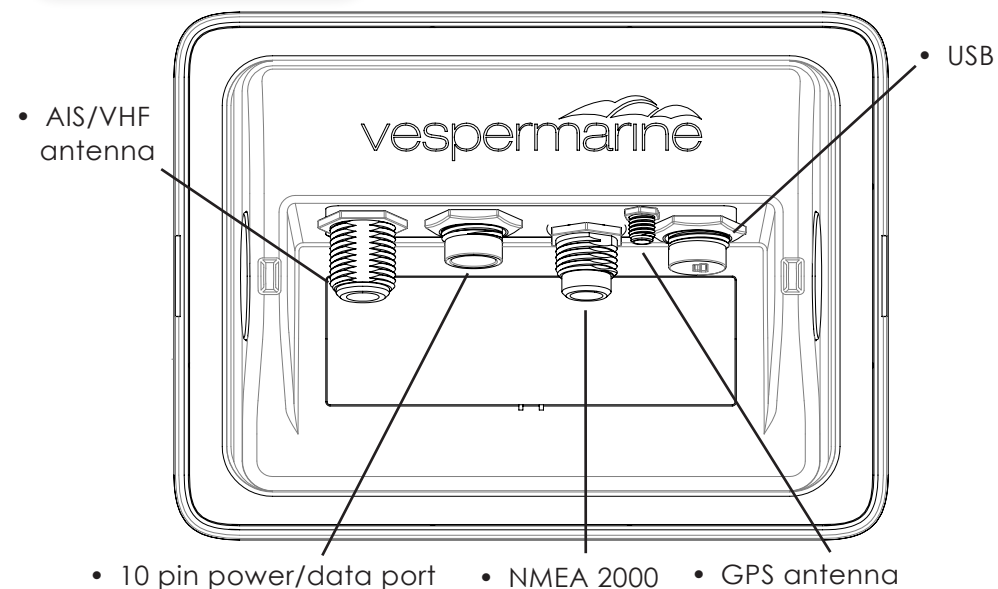
### OPTIONAL ACCESSORIES

- 1m USB cable (for configuration)
- Panel mount screws x4
- Waterproof 5m USB cable with locking security ring
- NMEA 2000 cable, T connector and network extension cable
- SP160 Antenna Splitter

Consider other equipment you may need to install this on your vessel e.g. additional cable, cable ties, mounting screws, wire strippers, screw driver etc.

✓ = Item Included

### CONNECTIONS



Mount your WatchMate at least 0.65m (2 feet) from any compass. Test your compass to verify that it operates properly when the WatchMate is operating.

### VHF ANTENNA

- A dedicated VHF antenna or Vesper Marine AIS/VHF Antenna Splitter is required
- Make sure your VHF antenna is an omnidirectional antenna designed for the marine band (156-162MHz) and is well tuned at the AIS end of the band (VSWR 2:1 or less at 162MHz).
- Mount the antenna as high as possible (at least 2-3 metres (6-10 ft) above the water surface) and as far as practical from any existing VHF, HF or radar antennas and any metal structures. It is not recommended to place the VHF antenna directly alongside a mast or another VHF antenna such as on a mast-head



**CAUTION:** Never operate this device unless it is connected to a suitable VHF antenna or Vesper Marine AIS/VHF Antenna Splitter. Performance cannot be assured if you use any other antenna splitter. The use of an improper splitter may damage the device and void your warranty.



**HINT:** Use the VSWR meter to check your antenna system installation.

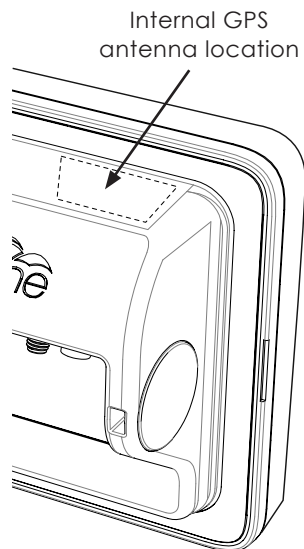
## GPS ANTENNA

The WatchMate requires a GPS fix before it can transmit its position.

### Internal

The WatchMate has a built-in GPS patch antenna.

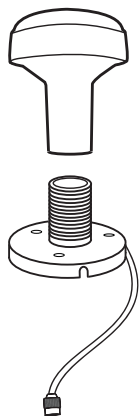
- This antenna requires an unobstructed view of the sky.
- The antenna performance may be significantly reduced if the WatchMate is installed on, under, or near large metal structures.
- The antenna faces upwards and is located as shown:



**HINT:** Use the GPS Status screen to view satellite signal strengths which will assist in determining the best location for the WatchMate or the external GPS antenna.

### External (optional)

If you are mounting the display in a location which will not provide adequate GPS signal coverage then you must install a dedicated GPS antenna.



- The GPS antenna should be situated so that it has an unobstructed view of the sky above.
- Do not place the GPS antenna near or in the path of radar or HF antennas.
- The antenna cable is terminated with a small SMA connector to facilitate easy routing through holes and openings. Do not cut the cable unless you have the proper tools to crimp a new connector. Make the connection to your AIS transponder last after antenna installation is complete.

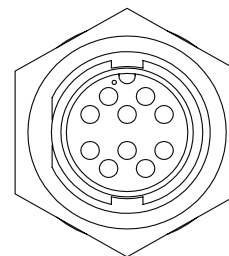


**CAUTION:** The Vesper Marine GPS antenna is designed specifically for use with the WatchMate Transponder. Performance cannot be assured unless you use a Vesper Marine GPS antenna. Use of a different antenna may damage the device and void your warranty.

## POWER AND DATA

A 2m (6.5') cable with attached 10 pin connector is supplied for connecting the WatchMate to power, other devices over NMEA 0183 and an external alarm. You may extend this cable as necessary.

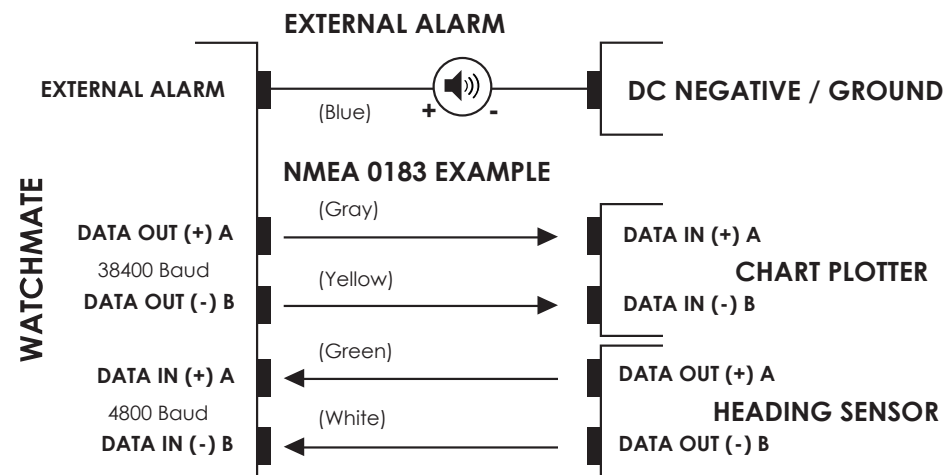
- Check you have the VHF antenna connected before connecting to power.
- Fully engage the locking ring to ensure a watertight seal.



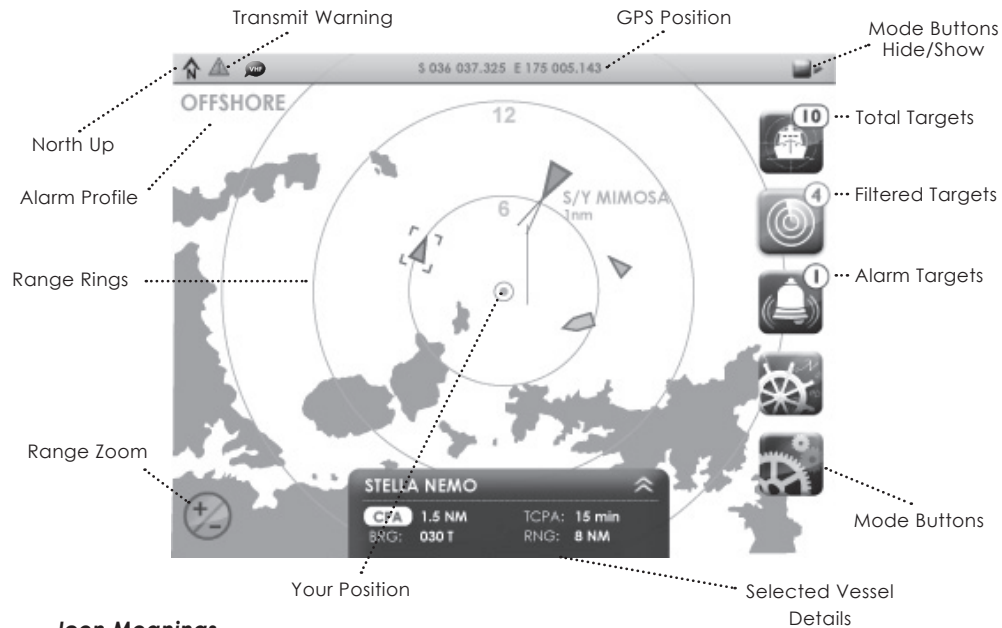
**Hint:** To turn the unit on simply touch the screen.

COLOUR	DESCRIPTION
Red	DC positive (+) (12-24 volts). <b>Always use a 2A fuse or circuit breaker.</b> Do not connect directly to battery. If you must extend the power connections use high quality pre-tinned marine grade wire which is at least 16 AWG (1.5mm <sup>2</sup> ).
Black	DC negative (-)
Gray	NMEA data out (+) A
Yellow	NMEA data out (-) B
Green	NMEA data in (+) A
White	NMEA data in (-) B
Blue	External alarm. When an alarm is triggered and the external alarm is enabled this wire will have the input voltage (from the red wire) applied, current limited to 150mA. You can use this to provide power to an external buzzer, light or other signaling device.

(Do not connect brown or pink wire)



## AIS PLOTTER



### Icon Meanings

- Class B target.
  - Class A target.
  - An aid to navigation.
  - A search and rescue transponder (AIS SART).
  - This symbol appears around a target to indicate it is the currently selected target.
  - Press the Select button to view the complete target details.
  - This symbol is overlaid over a target to indicate the target is "lost". No AIS data has been received from the target within the expected interval.
  - Indicates your AIS data is not being transmitted. You can use the AIS Status screen to determine the reason.
  - When used with a Vesper Marine AIS/VHF antenna splitter this symbol indicates the VHF radio is in-use and AIS transmissions are temporarily disabled.
- Color and size of targets change depending on their alarm state.
  - The triangle points in the direction of the target's heading (or course if heading data is not available for the target).
  - You must have a valid GPS fix for any targets to be shown on the situation display.
  - Go to [www.vespermarine.com/vision](http://www.vespermarine.com/vision) for additional information.

## MODES

The WatchMate has six modes of operation allowing you to tailor the information that you want immediate access to while always being able to view and interact with the AIS plotter.



### AIS Plotter

Full screen view of AIS targets and world coastal outlines. Interact with targets, change profile and manage filter settings.



### Target List

Lists and sorts all vessels in a table view that can be viewed in full or half screen allowing more informed situational awareness.



### Alarms

Lists, sorts and manages Alarm profiles. Provides a table view that can be viewed in full or half screen allowing instant access to high priority targets.



### My Vessel

Displays information about your vessel including GPS position and NMEA 2000 sensors.



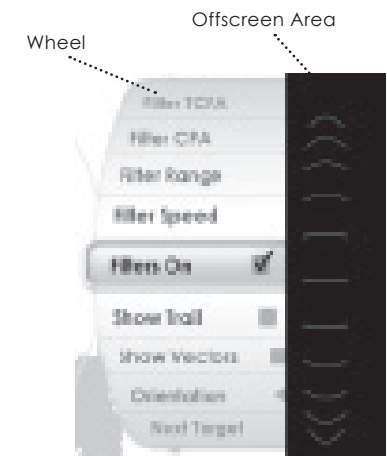
### Tools

Quick access to all of WatchMate's operating and configuration settings.

## WATCHMATE WHEEL®

The WatchMate Wheel is a context sensitive selection menu, providing access to relevant features as you navigate through each mode.

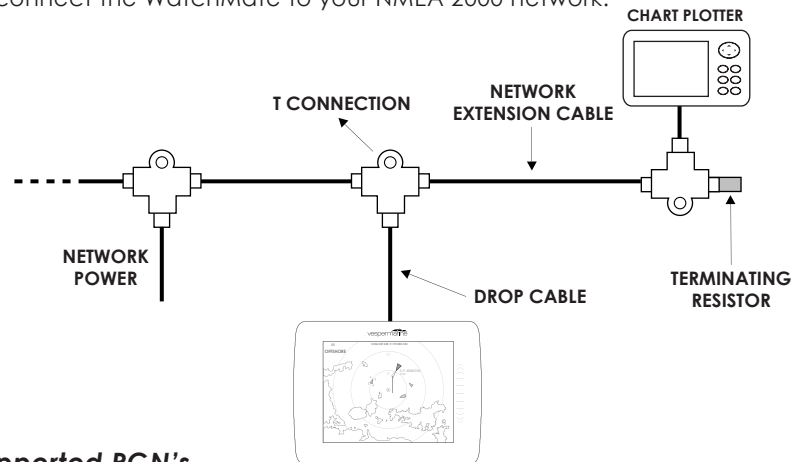
- The Wheel is activated and controlled by touching the offscreen area.
- It's adaptive and knows what menu is relevant to the mode you are currently interacting with.
- Flick your finger for fast moves, or simply tap up or down to make small adjustments.
- ???



## NMEA 2000

The WatchMate can be connected to a NMEA 2000 network to enable AIS and GPS data to be sent to other NMEA 2000 devices. The WatchMate can also receive and make use of data sent from NMEA 2000 sensors.

- NMEA sensors will automatically appear in My Vessel Mode
- Data Packets (PGN's) supported are defined below
- A drop cable, T connection and network extension cable are required to connect the WatchMate to your NMEA 2000 network.



### Supported PGN's

Be sure to check out [www.vespermarine.com/vision](http://www.vespermarine.com/vision) for an up-to-date list and description of PGN's that are supported.

#### PGNs Received

**127250** Vessel Heading

#### PGNs Sent

**129025** Position

**129026** COG & SOG

**129038** AIS Class A Position

**129039** AIS Class B Position

#### PGNs Sent (continued)

**129040** AIS Class B Extended Position

**129794** AIS Class A Static Voyage

**129798** AIS SAR Aircraft Position

**129801** AIS Addressed Safety

**129802** AIS Safety Related Broadcast

**129809** AIS Class B "CS" Static, Part A

**129810** AIS Class B "CS" Static, Part B

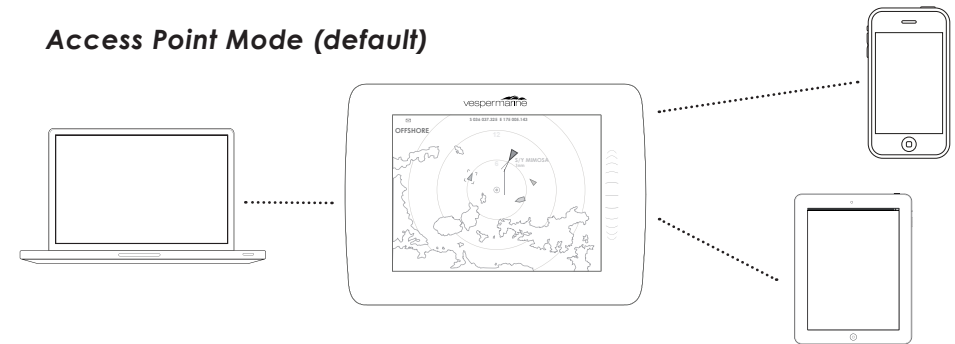
## USB

- When you connect to your PC over USB the WatchMate will automatically enumerate itself as a COM port (see configuration section)
- On the first connection, most operating systems will automatically install the necessary drivers. In some cases this may not be successful so the drivers are available for download from [www.vespermarine.com/vision](http://www.vespermarine.com/vision)

## WIFI

Configure your WatchMate Wifi in Tools mode under Wifi settings.

### Access Point Mode (default)



The WatchMate will control your onboard WiFi network of up to 5 devices.

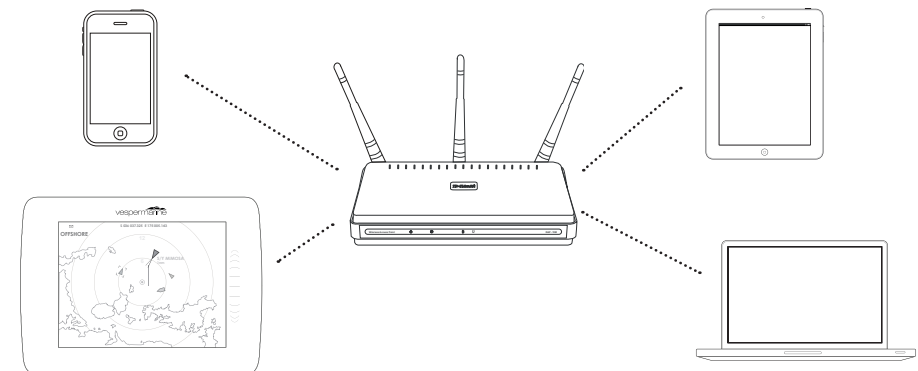
You can connect to the WatchMate using:

- Network (SSID): **VesperXB**
- Password: **WatchMate**

We recommend that you change your password straight away. You can always access the password in Wifi settings.

The default IP address that mobile apps may need is 192.168.15.1 (Port 39150)

### Client Mode



The WatchMate can also join an existing network. It can do this in either DHCP mode (default) or you can set a static IP address. If you are using a mobile device we recommend that you use a static IP address.



## CONFIGURATION

- Before the WatchMate can transmit your position you must configure your vessel details and enter a valid MMSI number. Your MMSI may have been entered already by your dealer. **You must have an assigned MMSI and Call Sign for your vessel.** If you do not have an assigned MMSI, contact the relevant authority in your country.
- You can configure your WatchMate in either Tools mode, using the WatchMate App or the vmAIS PC software. The WatchMate App and vmAIS are available for download from [www.vespermarine.com/vision](http://www.vespermarine.com/vision)
- With vmAIS you can connect to the WatchMate using either the USB virtual COM port or over WiFi\* by entering the IP address (192.168.15.1 default). Click the connect button and enter your vessel details using this screen:

- **Once you save the MMSI number it cannot be changed.** If you need to change the MMSI, please contact an authorised dealer or Vesper Marine.
- When all the information is correct, click on the Save Vessel Data button.
- You can also change your WiFi settings, view your GPS signal strength, Transponder status and VSWR level using vmAIS.

## YOU'RE FINISHED!

If the you have a GPS position and there is no warning symbol in the status bar the WatchMate is transmitting your position and is successfully installed! Your position will be transmitted every 3 minutes when your speed is under 2 knots or every 30 seconds otherwise. Your vessel information (e.g. name, callsign, etc) is transmitted every 6 minutes. If the warning symbol is still visible, touch it to display the reason. See the troubleshooting section for the probable cause.


## GOT A QUESTION?







Visit [www.vespermarine.com/vision](http://www.vespermarine.com/vision) for comprehensive answers to frequently asked questions, technical support, downloads, local dealer contacts and more...

## TECH SPECS

<b>Size</b>	172mm wide x 130mm high x 60mm depth (6.85" x 5.12" x 2.44")
<b>Colour TFF screen</b>	
<b>Touch panel</b>	
<b>Power supply</b>	12-24 VDC 2A max, 6W nominal
<b>Environmental</b>	Watertight (USCG CFR-46, IPx7)
<b>Operating temp</b>	-25°C to +55°C (-13°F to 131°F)
<b>Storage temperature</b>	-25°C to +80°C (-13°F to 176°F)
<b>Serial data</b>	1 USB port (isolated), 1 NMEA input (isolated RS422), 1 NMEA output (non-isolated RS422)
<b>Data port impedance</b>	NMEA input: 96k ohm, NMEA output: 28 ohm
<b>NMEA output</b>	RMC, GSV, GSA, GGA, GLL, VTG, VDO, VDM, TXT, DSC
<b>NMEA input (optional)</b>	ALR, HDG, HDM, HDT
<b>Number of receivers</b>	2 AIS, 1 DSC (timeshared)
<b>Number of transmitters</b>	1 AIS
<b>Receive frequency range</b>	156.025 – 162.025 MHz
<b>Transmit frequency range</b>	161.500 – 162.025 MHz
<b>AIS sensitivity</b>	-113 dBm < 20% PER
<b>Power output</b>	33 dBm (2W)
<b>GPS sensitivity</b>	-159dBm tracking & navigation -142dBm acquisition
<b>GPS SBAS support</b>	WAAS, EGNOS, MSAS, GAGAN
<b>External alarm maximum</b>	150 mA @ VDC
<b>Power/data connector</b>	10 pin circular.
<b>USB connector</b>	Mini USB (USB 2.0)
<b>GPS antenna connector</b>	SMA
<b>VHF antenna connector</b>	SO-239
<b>VHF antenna required</b>	50 ohm, max 2:1 VSWR @ 162MHz. PL-259 connector.
<b>NMEA 2000 connector</b>	NMEA 2000 Micro-C
<b>Firmware version</b>	5.06

## TROUBLESHOOTING

The  symbol indicates your AIS data is not being transmitted. It is located at the top left of the WatchMate screen, click on it to reveal the AIS Transponder Status panel.

STATUS		DESCRIPTION
<b>MMSI CONFIGURED</b>		You must have a valid MMSI programmed before you can transmit your position (see configuration section).
<b>SILENT MODE IS OFF</b>		Silent mode is on. If this is not intentional check silent mode is switched off in AIS settings.
<b>STARTUP COMPLETE</b>		Before the WatchMate can transmit it needs 1 minute to initialise.
<b>GPS POSITION FIX</b>		The WatchMate requires a GPS fix before it can transmit its position. This may take a few minutes. If it is taking a long time check your GPS antenna installation (see GPS antenna section) and GPS signal strength in My Vessel mode.
<b>POSITION REPORT SENT</b>		This may happen from time to time in very busy areas with lots of AIS traffic. This is normal behaviour for a Class B AIS device.
<b>VSWR OK</b>		Check your antenna installation. Use the VSWR meter in AIS settings. A poorly tuned antenna, bad cabling or connections are typical reasons for a high VSWR. Your WatchMate will continue to operate normally but transmit performance will degrade.

## WARNINGS

This AIS Transponder works in conjunction with other vessels and systems such as other AIS transponders and GPS devices. The accuracy of this device and the AIS system can be affected by many factors, including equipment failure or defects, environmental conditions and incorrect installation, handling or use. Vesper Marine does not warrant that this product is error-free. It is the user's responsibility to exercise common prudence and navigational judgement. This device should not be relied upon as a substitute for such prudence and judgement. Always maintain a permanent watch so that you can respond to situations as they develop. The prudent mariner will not rely on a single aid to navigation. The user should verify the information obtained from this AIS Transponder is in accordance with expected situations and conditions. The information is not guaranteed to be accurate or reliable and this AIS Transponder is not a substitute for proper seamanship. Vesper Marine Limited cannot be held liable for any injury, damage or loss, caused by, during, or because of the installation, use or inability to use this device. This AIS Transponder is to be installed and used entirely at your own risk. By installing and/or using this AIS Transponder you fully accept this risk and agree to hold Vesper Marine Limited harmless.

### **Intended Use**

This product is intended to be used on leisure or commercial vessels (excluding IMO/SOLAS class). Vesper Marine has designed and manufactured this product to be used only aboard vessels.

### **Warranty Void**

Do not disassemble the unit or remove the screws which hold it together. The unit is sealed and disassembly will void the warranty.

### **FCC Warning:**

This device complies with Part 15 of the FCC Rules. Operation is subject to the following two conditions: (1) this device may not cause harmful interference and (2) this device must accept any interference received, including interference that may cause undesired operation.

### **Industry Canada Warning:**

This device complies with Industry Canada license-exempt RSS standard(s). Operation is subject to the following two conditions: (1) this device may not cause interference, and (2) this device must accept any interference, including interference that may cause undesired operation of the device.

This device complies with RSS-310 of Industry Canada. Operation is subject to the condition that this device does not cause harmful interference.

To satisfy RF exposure requirements for mobile transmitting devices, a separation distance of 1 metre or more should be maintained between the antenna of this device and persons during device operation. To ensure compliance, operations at closer than this distance is not recommended.

The antenna used for this transmitter must not be co-located in conjunction with any other antenna or transmitter.

This device has been designed to operate with an antenna having a maximum gain of 3dBi. Antennas having a gain greater than 3dBi are strictly prohibited for use with this device. The required antenna impedance is 50 ohms.

To reduce potential radio interference to other users, the antenna type and its gain should be chosen that the equivalent isotropically radiated power (EIRP) is not more than that required for successful communication.

Pour satisfaire aux exigences d'exposition aux fréquences radio pour les appareils mobiles de transmission, une distance de 1 mètre ou plus doit être maintenue entre l'antenne de ce dispositif et les personnes pendant son fonctionnement. Pour assurer la sécurité, les opérations plus près de cette distance ne sont pas recommandées.

L'antenne utilisée pour ce transmetteur ne doit pas être co-localisée avec toute autre antenne ou transmetteur.

Ce dispositif a été conçu pour fonctionner avec une antenne ayant un gain maximal de 3dBi. Les antennes ayant un gain supérieur à 3dBi sont strictement interdites pour une utilisation avec cet appareil. L'impédance d'antenne requise est de 50 ohms.

Pour réduire le risque d'interférence aux autres utilisateurs, le type d'antenne et son gain doivent être choisis pour que la puissance isotrope rayonnée équivalente (PIRE) ne soit pas supérieure à celle requise pour une communication réussie.

### **MMSI Programming Warning**

**IMPORTANT:** In most countries the operation of an AIS unit is included under the vessel's marine VHF license provisions and the vessel on which this device is to be installed may be required to possess a current VHF radiotelephone license which lists the AIS system and the vessel Call Sign and MMSI number.

**An MMSI number is required in order for this device to operate as a transmitter.**

Please contact the relevant authority in your country for more information.

### **For Customers in the USA**

This device must be programmed with data corresponding to the vessel on which it will be installed. Programming must be carried out by a Vesper Marine dealer. The included instructions contain information on how to verify the correct programming.

**WARNING:** It is a violation of the rules of the Federal Communications Commission to input an MMSI that has not been properly assigned to the end user, or to otherwise input any inaccurate data in this device.

### **RF Emissions Warnings**



**CAUTION:** This device generates and radiates electromagnetic energy. This device must be installed and operated according to the instructions contained in this manual. Failure to do so may result in product malfunction and / or exposure to potentially harmful levels of radio frequency radiation. Changes or modifications to the unit not expressly approved by Vesper Marine Ltd will void the user's authority to operate this equipment



**CAUTION:** The system has a Maximum Permissible Exposure (MPE) radius of 1m from the antenna. This has been determined assuming the maximum power of the transmitter and using a standard half-wave monopole VHF antenna with a maximum gain of 3dBi and termination impedance of 50 ohms.

When installing the antenna and operating the equipment consider the following:

- The antenna should be mounted as high above deck as possible.
- Higher gain VHF antennas will require a larger MPE radius.
- Do not operate the unit when anyone is within the MPE radius of the antenna.
- The antenna should not be collocated or operated in conjunction with any other transmitting antenna.



# WARRANTY

This transponder is warranted, when properly installed and used, to be free from defects in materials or workmanship for two years from the date the product was purchased by the first retail customer. This warranty applies to the original retail purchaser only and is not transferable. Within this period, Vesper Marine will, at its discretion, repair or replace any components which fail in normal use. Repairs or replacement will be made at no charge for parts or labour, provided that the customer shall be responsible for any transportation costs. This warranty does not cover failures due to abuse, misuse, accident, improper installation, unauthorised alterations or repairs, shipping damage, wear and tear, or corrosion.

This warranty will not apply if the product's external housing has been opened, the serial number or other labels have been removed or altered, the specified input voltage has been exceeded, or the external alarm maximum switched current has been exceeded. This warranty is void if the product has been operated with an incompatible GPS antenna or without a suitable VHF antenna.

This warranty is in addition to all other rights available to the consumer under any applicable statute and your statutory rights are not affected by this warranty.

Vesper Marine retains the exclusive right to repair or replace the unit or offer a full refund of the purchase price at its sole discretion. In addition, Vesper Marine retains the exclusive right to replace the unit with a factory reconditioned unit or a new unit at its sole discretion. Where a replacement is provided the original product becomes the property of Vesper Marine and the warranty will remain from the original purchase date.

This warranty applies only to products supplied new to you by a stockist or Vesper Marine and you have not bought the product for resale.

In no event shall Vesper Marine be liable for any incidental, special, indirect, or consequential damages, whether resulting from the use, misuse or inability to use the product or from defects in the product.

Vesper Marine declares that this product is in compliance with the essential requirements and other provisions of the R&TTE directive 1995/5/EC.

This product is for use worldwide, including the following European countries:

AT	BE	BG	CH	CY	CZ	DE	DK
EE	ES	FI	FR	GR	HU	IE	IS
IT	LI	LT	LU	LV	MT	NO	NL
PL	PT	RO	SE	SI	SK	UK	

This device is also approved for use in the United States, Canada, Australia and New Zealand.

CE0168   



## Electronic Waste Recycling

Various regional and national regulations exist regarding the recycling of certain electronics. Please consult your local authorities or contact Vesper Marine for recycling information.

vespermarine

Phone +64 9 950 4848 | Email [info@vespermarine.com](mailto:info@vespermarine.com)

Fax +64 9 950 4085 | Web [www.vespermarine.com](http://www.vespermarine.com)

Follow us on Facebook | [www.facebook.com/vespermarine](http://www.facebook.com/vespermarine)

Copyright © 2012, Vesper Marine Ltd.

ALS WatchMate, WatchMate Vision and WatchMate Wheel are trademarks of Vesper Marine Ltd. All other products are trademarks or registered trademarks of their respective owners.

Unless otherwise indicated, all documentation and operating software contained within this product or distributed with this product is copyrighted by Vesper Marine Ltd. All rights are reserved.

Portions of this product may use software licensed under open source license agreements. Source code for the applicable software is available upon request from Vesper Marine Ltd

Member of:

