

SECTION 1

GETTING TO KNOW THE BASICS

This section introduces the features and components of the tablet PC.

Performance Features

- **High Performance Processor**

The tablet PC is equipped with Intel Celeron processor with 128K L2 cache.

- **Advanced Graphic Engine**

An integrated AGP-bus 2D/3D video processor for high performance graphics. The video chip also incorporates a hardware-accelerated playback which gives you smooth MPEG video playback. 3D graphics capability also adds realism to PC games.

- **Upgradability ***

The system offers additional DRAM slot for expansion, allowing users to easily increase the system capacity as the need arises.



*Note:
Hard disk drive is not user-upgradable. If you need to upgrade the HDD, you need to return the unit to the dealer or manufacturer.*

- **Bright LCD Display**

The system is equipped with 10.4-inch TFT XGA display panel for clear text and brilliant colors.

- **Portrait Mode or Landscape Mode**

To serve your specific needs, the tablet PC can be used in Portrait or Landscape mode.

- **Touch Screen Input**

The tablet PC has a built-in touch screen input device. This allows you to easily and quickly maneuver and create graphic designs or manage field applications.

■ *Audio Capability*

The system is equipped with internal audio and record and playback functions, including 3D (three-dimensional) audio, 64-voices DirectSound channel support, and built-in hardware wave-table.

■ *Ethernet Adapter and Modem*

The system provides built-in Ethernet network adapter and 56K modem for communication and connection flexibility.

■ *Built-in Digital Camera*

The integrated digital camera allows you to take snapshots or record a video clip.

■ *Wireless LAN*

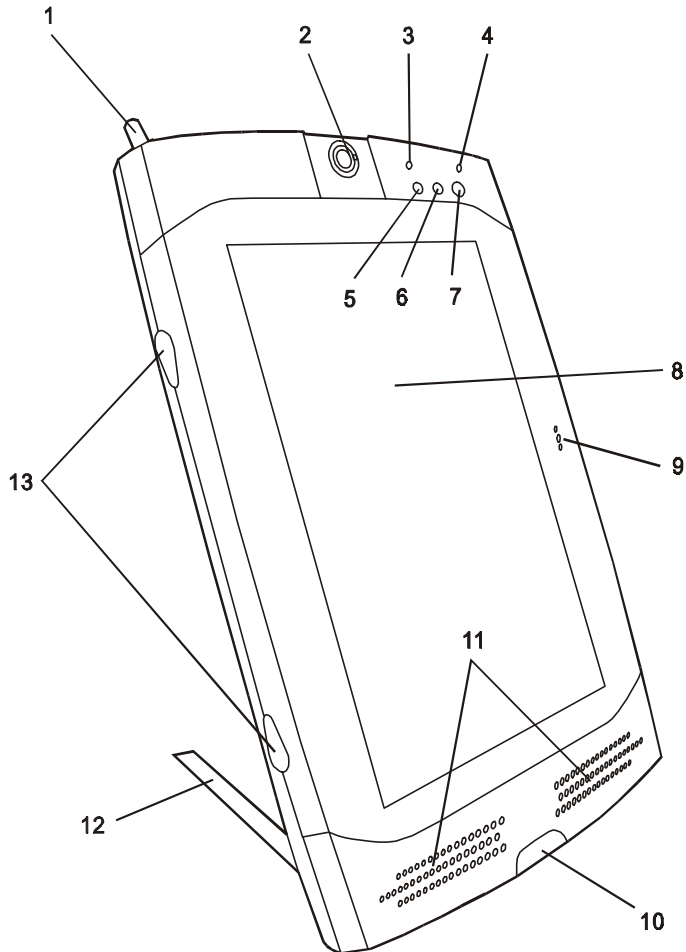
The computer may be equipped with Wireless LAN (802.11) to connect to a wireless network.

■ *Docking Station (Optional)*

The optional docking station not only provides all the necessary I/O ports, it also has a built-in CD-ROM or DVD-ROM for large data access or video disk playback.

System at a Glance

Front View



1. Stylus

The stylus (touch pen) works like a mouse. Use the tip to point to an icon on the LCD panel or draw a line in any graphic application. Tapping an icon twice in a quick session is similar to double-clicking with a mouse.

2. **Digital Camera**

The built-in digital camera (up to 640x480 resolution) allows you to take photos or record a video clip. You must pre-install software that will work with the camera. See Factory CD-ROM disk for any bundled graphic software. The focus ring allows you to adjust focal length of the camera lens. Adjust the ring to for the sharpest focus. Go to *How to Use the Digital Camera* Section for more details.
3. **Battery Status LED**

Flashing green light indicates the battery pack is being charged.... (See the *LED Status Indicator* Section for details.)
4. **Power Status LED**

The multi-color LED indicates the power status of the tablet PC. (See the *LED Status Indicator* Section for details.)
5. **WWW Internet Hot Key**

The `Internet Hot Key` launches the Internet Explore automatically. You will need to activate a utility program in the factory CD to make use of the key. (See side-note for Quick Keys installation.)
6. **Email Hot Key**

The `Internet Hot Key` launches the MS Outlook Express. You will need to activate a utility program in the factory CD to make use of the key. (See side-note for Quick Keys installation.)
7. **Power/Suspend Button**

The power/suspend button turns the system on and off and it also acts as a system suspend key. This tablet PC uses a special one-button design. Press momentarily to turn on the system. Press and hold for at least 3~4 seconds to turn off the system. In Windows 98 SE, ME, or 2000, how the power button should behave can be defined in Windows Power Management utility. Go to [Start > Settings > Control



Warning:
Do not place any heavy objects on the LCD panel. It may damage the display.



Note:
If you encounter difficulties with IrDA (infrared port) operation, go to [Section 5](#) to learn to solve the problems.

Panel > Power Management] to access the utility. Go to Section 2 for more details on system suspend function.

8. LCD Display

The panel is where the system's data is displayed.

9. Built-in Microphone

The built-in microphone records sound.

10. Consumer Infrared Port (1)

The CIR port is used to link with a CIR-type wireless keyboard.

11. Built-in Stereo Speakers

The built-in speakers output the sound in stereo.

12. Stand

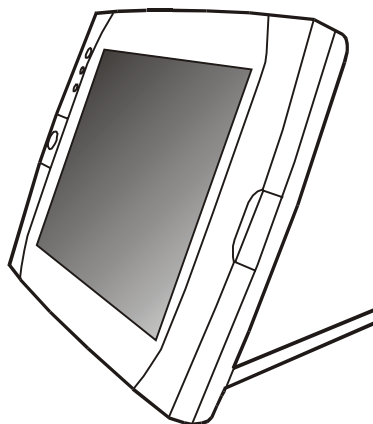
The stand allows the tablet PC to be positioned vertically (Portrait Mode) or horizontally (Landscape Mode) on a desktop.

13. Rubber Feet

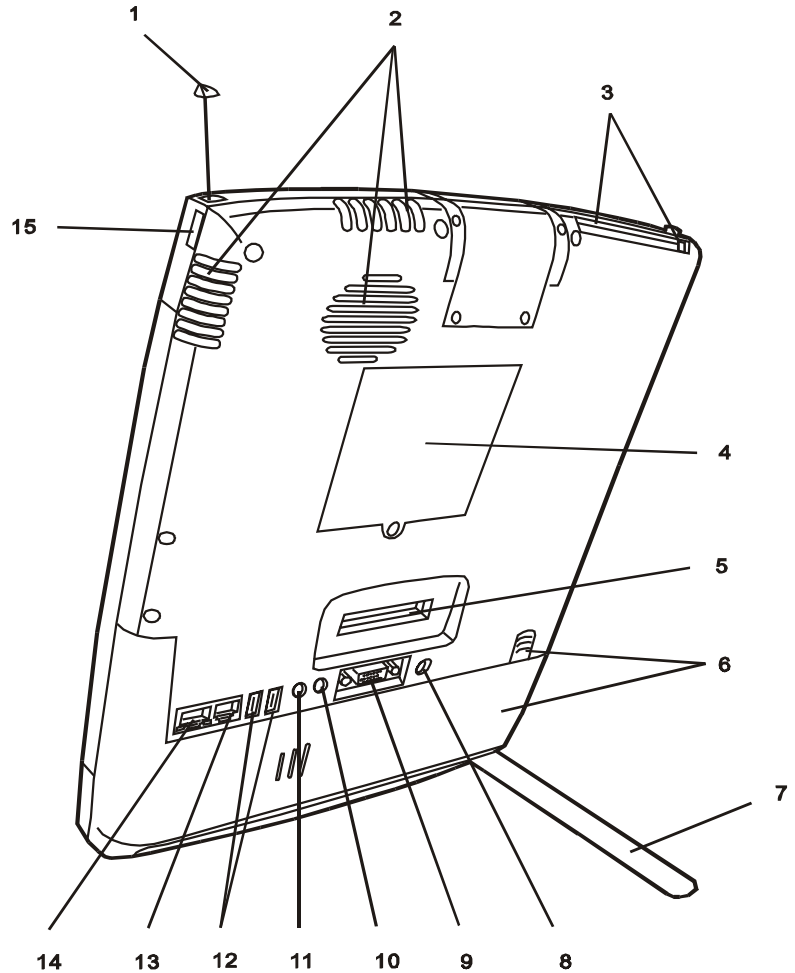
The rubber feet allows the tablet PC to be positioned on its side on the desk.



Note:
The tablet PC can be positioned horizontally. You will need to rotate the display content 90 degrees via the `Pivot` software. Go to [How to Use the Tablet PC in Landscape Mode Section](#) to learn more.



Rear View



1. **Built-in Antenna**

The antenna is used to transmit and receive data from another Bluetooth-enabled device / system. It should be fully extended for best result. Go to the Bluetooth Help Menu for operational tips. (*The Bluetooth application is contained in the Factory CD-ROM disk.*)

2. **Ventilation Grills**

The fan grills allow the air to circulate through the internal heat regulation system. Do not block the airway completely.

3. **PC Card Slot (PCMCIA) and Card Eject Button**
The slot is where PC Card (PCMCIA) is inserted. Press the eject button to release the PC Card.
4. **DIMM (DRAM) Expansion Slot Cover**
This is where two DIMM expansion slots are located. One of the slot may have been occupied by a dealer or manufacturer pre-installed DIMM module.
5. **Docking Port**
The docking port allows the tablet PC to connect to an optional docking station. Go to [Chapter 5](#) for more details on the docking station.
6. **Battery Pack and Battery Latch**
The battery pack is a built-in power source for the tablet PC. Pull on the battery latch to release the battery pack.
7. **Stand**
The stand allows the tablet PC to be positioned vertically (Portrait Mode) or horizontally (Landscape Mode) on a desktop.
8. **Power Jack (DC-in)**
This is where the AC Adapter connects to. It allows the external AC source to power the system and charges its battery pack.
9. **External VGA Port**
The 15-pin analog VGA output port connects to the external CRT monitor or projector.
10. **Stereo Headphone Jack**
The stereo headphone jack (3.5-mm diameter) is where you connect the headphones or external speakers.
11. **Microphone Jack**
The microphone jack (3.5-mm diameter) is where you connect a microphone.



Note:

For the system running the Windows NT platform, USB function was not supported.

12. **USB Port**

The Universal Serial Bus (USB) port allows you to connect a wide variety of devices via the USB cable to your tablet PC. This port conforms to USB plug-and-play standards.

13. **Modem Port**

This is where you plug the phone jack (RJ-11) for fax/modem functions. The built-in 56kpbs modem is V.90 compatible.

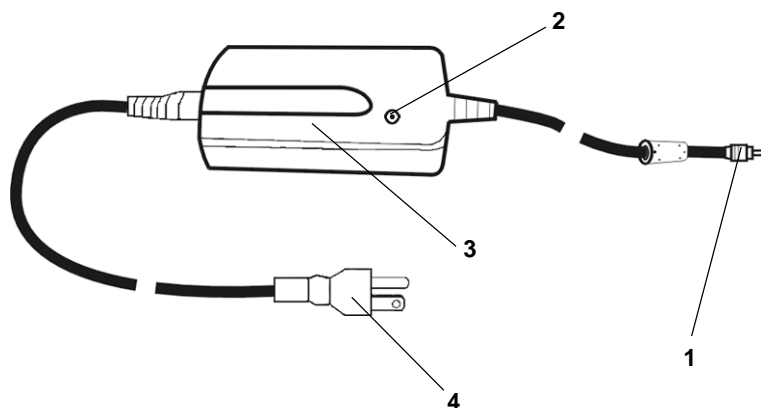
14. **Ethernet / LAN Port**

The port connects to a network hub via the RJ-45 cable and also conforms to 100Base-TX transmission protocol.

15. **Serial Infrared Port (2)**

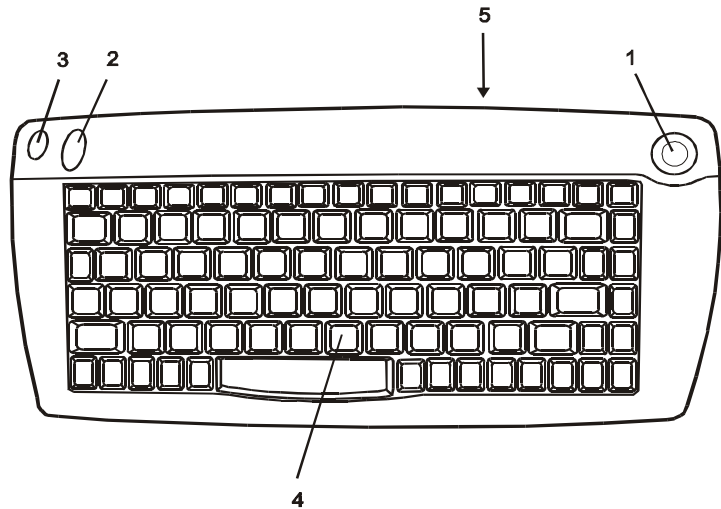
The SIR port is an Infrared Data Association (IrDA) compliant serial infrared port. It allows cableless data transfer with IrDA 1.1-compatible external devices.

AC Adapter



- 1. DC-In Connector**
The DC-out connector docks to the power jack on the tablet PC.
- 2. LED Lamp**
The LED lamp appears green when the unit is plugged into a valid AC source.
- 3. Adapter**
The adapter converts alternating current into constant voltage for the tablet PC.
- 4. AC Plug**
The three-prong AC plug plugs to the AC wall outlet.

KeyBoard Features

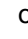



1. **Mouse Pointer**
Move the mouse pointer just as you would with a mouse or touch pad.
2. **Left Click Button**
This button works like the left button of a mouse.
3. **Right Click Button**
This button works like the right button of a mouse.
4. **Keyboard**
The enhanced 87/88-key keyboard is used to enter data. It has an embedded numeric keypad and cursor control keys.
5. **CIR Lens**
The IR lens transmits keyboard and cursor input via infrared beam.



Note:
Point the CIR Lens of the keyboard straight toward Consumer Infrared Port of the tablet PC. The effective range is a few meters.

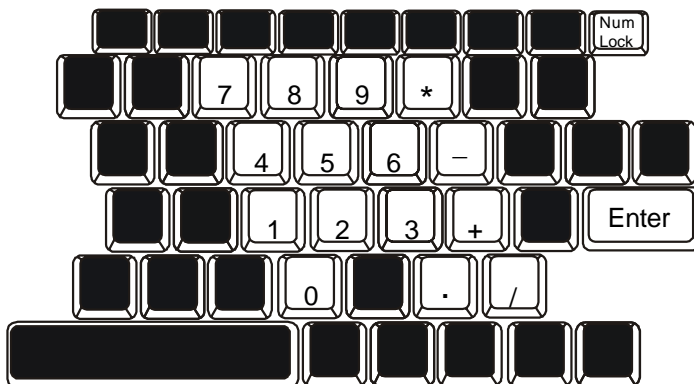
Function (Hot) Keys

Num Lock	Enables the embedded keypad to work in numeric mode. The keys act like numeric keypads in a calculator. Use this mode when you need to do a lot of numeric data entry. An alternative would be to connect an external numeric keypad.
Scroll Lock	Press the ScrLk key and then press  or  to move one line up or down.

Embedded Numeric Key Pad

Press Num Lock to enable the embedded numeric key pad. The numbers are printed in upper right corner of a key, in a color different from the alphabets. This key pad is complete with arithmetic operators (+, -, * , /).

Press Num Lock to revert to normal character keys.



Windows Keys

Your keyboard also has two Windows keys:

1. Start Key



This key allows you to pull up the Windows Start Menu at the bottom of the taskbar.

2. Application Menu Key



This key brings up the popup menu for the application, similar to a click of the right mouse button.

LED Status Indicators

The LED Status Indicator displays the operating status of your tablet PC. When a certain function is enabled, a LED will light up or flash intermittently. The following section describes its indication.

LED Graphic Symbol	Indication
	Orange light indicates the battery is being charged.
	Green light indicates the computer is ON. Blinking green light indicates the HDD is being accessed. Orange light indicates the system is now in suspend mode.

Display

Your tablet PC uses a high performance 10.4-inch active matrix TFT panel which supports high resolution and multi-million colors for comfortable viewing. A powerful 2D / 3D integrated graphic chipset is used for fast graphic performance.



Note:

To maximize your battery operating time, set the brightness to the lowest comfortable setting, so that the internal back-light uses less power.

Adjusting the Display Brightness

The tablet PC uses a special utility software to control brightness. See Section 2 for instructions.

Extending the Life of the TFT Display Device

Observe the following guidelines to maximize the life of the back-light in the display.

1. Set the brightness to the lowest comfortable setting.
2. Do not disable the suspend time-outs.
3. If you are using AC power and have no external monitor attached, change to suspend mode when not in use.

Audio Devices

The Audio in your tablet PC is Sound Blaster Pro-compatible.

Adjusting the Volume in Windows

1. Click the speaker symbol in the taskbar in Windows.
2. Drag the volume control bar up or down to adjust the volume.
3. To temporarily silence the speaker without changing the volume setting, click Mute.

Voice Recording

You need to use audio processing software to enable the built-in microphone. For example, you may use Microsoft Sound Recorder.

When you begin voice recording using the system's built-in microphone, be sure that your mouth is within near distance (no longer than 20 cm) to the microphone. If the record level is too small, you may also increase the microphone gain via the volume control panel in Windows.

Modem

Your tablet PC comes with a 56K V.90 internal fax/modem and a phone jack (RJ-11), which is located on the right side of your notebook.

Use a telephone cable to connect the notebook to the telephone wall outlet.

You may need to re-configure the modem setting if you plan to use it in a different country. Go to Section 2 for instructions on how to make the adjustment.



Warning:

The internal modem is intended for use on an analog phone line, also called a POTS (Plain Old Telephone Service) line. This modem cannot be connected directly to a digital telephone line, such as those commonly found in a business office. You may either obtain an analog line or an analog converter compatible with the phone line you're using.

Connecting the Modem

1. Plug one end of the phone line into the modem port located on the back side of the computer.
2. Plug the other end of the line into the analog phone wall outlet.

Network Adapter

Your tablet PC is equipped with a 100Base-TX Ethernet network adapter. Connecting the active LAN cable to the RJ-45 LAN port located in the back of the system. This allows you to access and transmit data in the local area network.

Connecting to the Network

Use Unshielded Twisted Pair (UTP) Ethernet cable only.

1. Insert one end of the UTP cable into the network connector until the connector snaps securely into the receptacle.
2. Either connect the other end of the cable to an RJ-45 jack wall outlet or to an RJ-45 port on a UTP concentrator or hub in the network.

Cabling Restriction for Networks

The following restrictions should be observed for 100BASE-TX networks:

- The maximum cable run length is 100 meters(m) (328 feet [ft]).
- For 100-Mbps operation, use Category 5 wiring and connections.

Consult Windows manual and / or Novell Netware user's guide for the software installation, configuration, operation of the network.

SECTION 2

USING SOFTWARE

In this section, you will learn how to use the software functions of various hardware devices so that you can work more effectively on your tablet PC.

The tablet PC has many unique capabilities such as touch-sensitive screen, built-in digital camera, virtual keyboard, etc. However, some of these devices may require you to perform a one-time setup to enable it to work accurately.

Traditionally, a standard keyboard is built into a PC. However, due to the lack of a permanently attached keyboard input device, the tablet PC may require you perform certain adjustment to the Windows operating system.

Throughout this manual, we will assume that you are using Windows 2000 has the tablet PC's operating system.

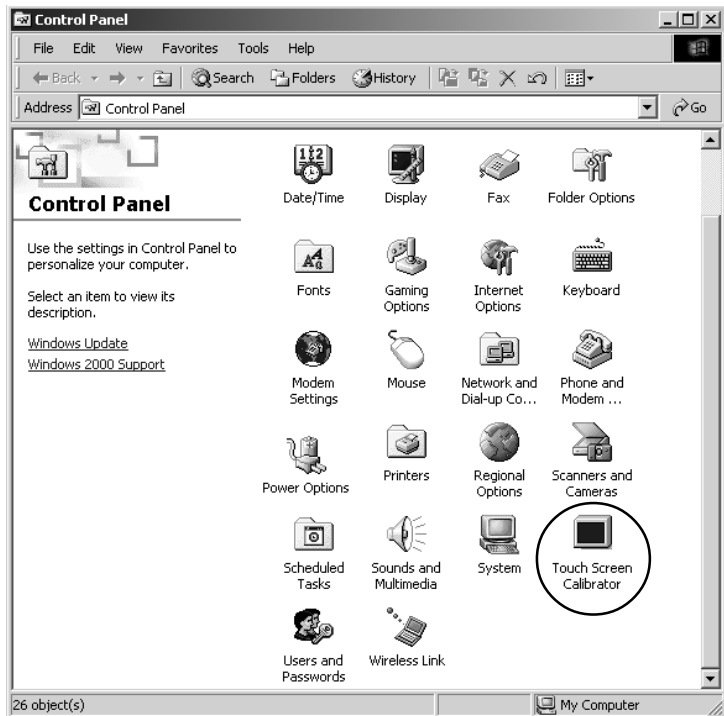
Touch Screen Calibration

Although touch screen calibration may have already been performed at the factory, there are times that it needs to be re-calibration for higher accuracy.

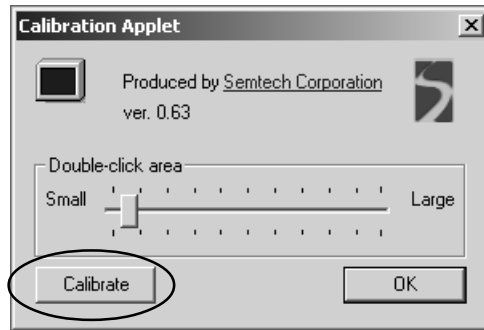
The touch screen is a touch-sensitive device. It is a membrane on top of the LCD display. It responds to mechanical pressure on the screen surface. You can navigate the cursor using the stylus (pen). When you notice the stylus tip does not correspond well or match point-to-point with the cursor, you then need to re-calibrate the touch screen device.

To calibrate the touch screen, do the following:

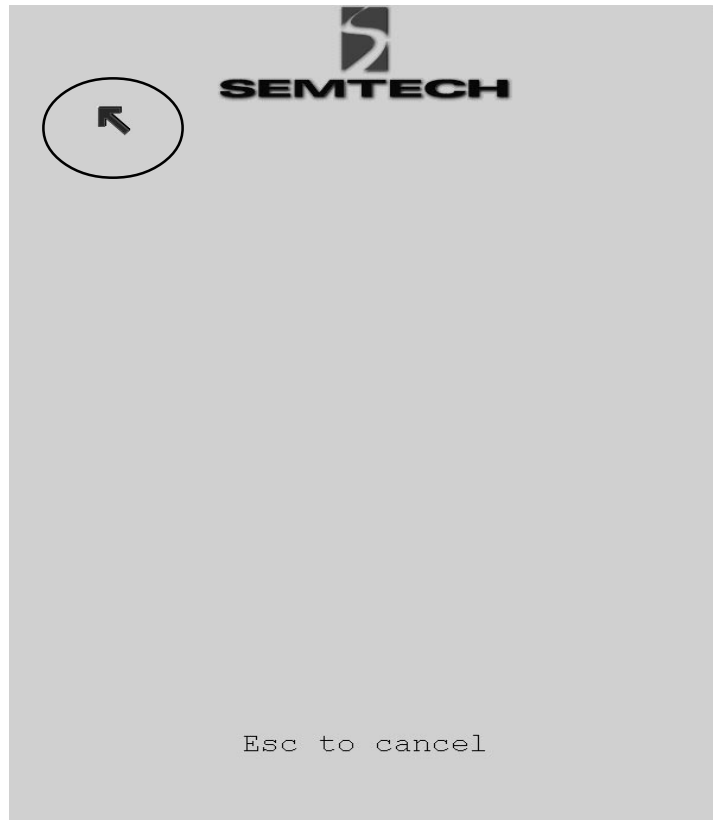
1. To go [Start > Settings > Control Panel] and double-click on Touch Screen Calibrator icon.



2. You will see the following dialogue box.



3. Click on Calibrate button and you will see the following display.



4. Use the stylus to point accurately to the tip of the red arrow on the display. Start by the upper left corner of the display and you will be asked to repeat the pointing action 4 times.
5. If you wish to change to a larger double click area, you may do so at the Calibration Applet box by moving up the slider. (See diagram to the left.) Click on OK to exit the applet.



Note:
The calibration effect takes place immediately after you exit the applet.

Digital Camera

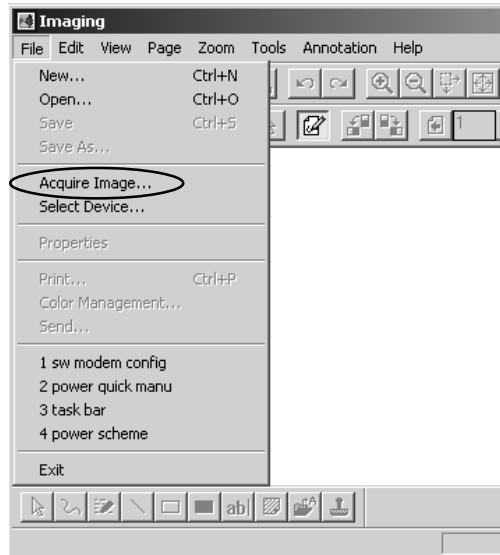
The built-in USB camera allows you to take a snap shot and record it onto the hard disk drive.



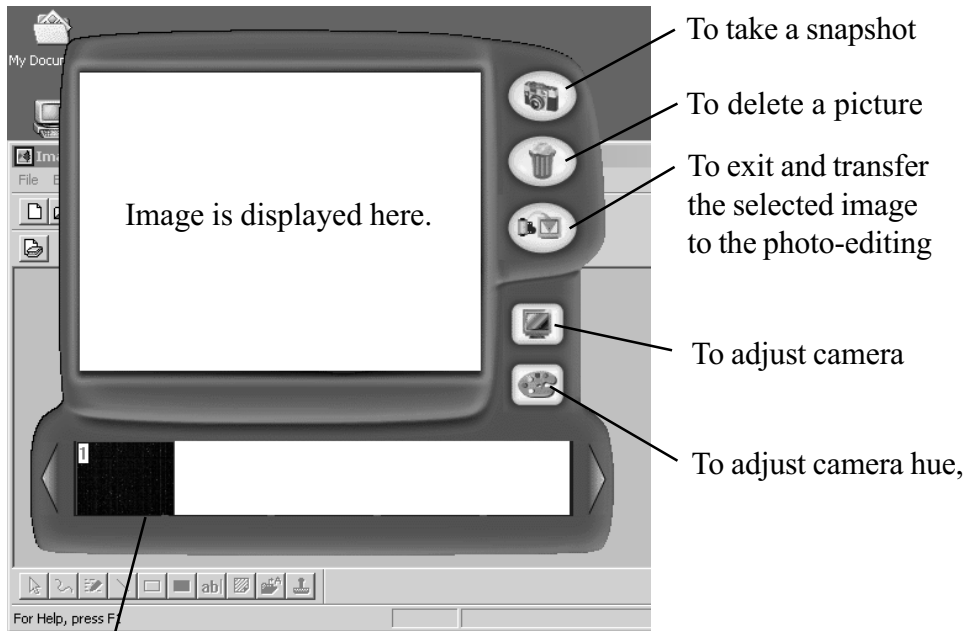
Note:

To capture a picture using Windows Imaging, do the following

1. Go to [Start > Programs > Accessories > Imaging] to start the Imaging application.
2. Go to [File > Acquire Image...] to launch the camera's utility software.



3. The following diagram appears. You may need to adjust the focus ring for the sharpest image.



- To take a snapshot
- To delete a picture
- To exit and transfer the selected image to the photo-editing
- To adjust camera
- To adjust camera hue,



Note:
If you do not select an image in the bottom row, no image will be transferred.

Selected image to be transferred is highlighted by the red

4. Click the camera icon on the right to take a snapshot. The shot you have just taken will be displayed on the bottom row.
5. Select an image in the bottom row by clicking on the image. You will see red outlining to indicate the particular frame has been selected for transfer.
6. Click on the Exit and Transfer icon to exit the applet and transfer the selected image to Windows Imaging application.



Note:
To change the resolution setting, click on the Adjust Camera Resolution icon shown above.

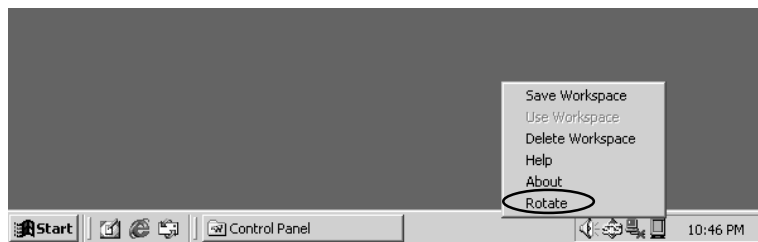
Tip on photographing: Always use the best lighting possible.

Screen Rotation

A special application - Pivot Software - allows you to use the tablet PC in portrait mode (vertical) or landscape mode (horizontal).

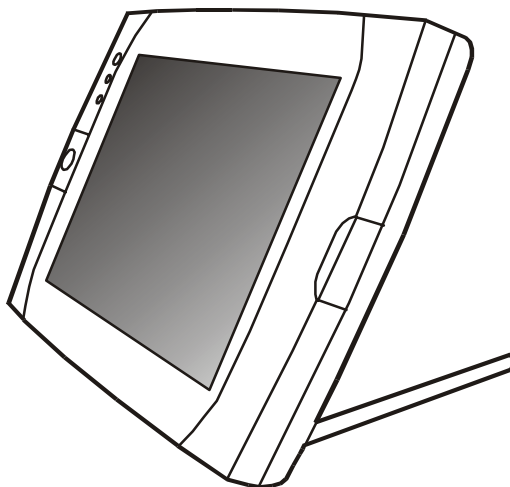
To rotate the screen display, do the following:

1. Click the Pivot icon at the right corner of the task bar.



2. Select Rotate to pivot the display 90 degrees.

Repeat steps 1 and 2 to revert to the original mode.



Modem Setting

The built-in modem allows you to dial-up Internet or send a fax. Depending on where your computer is used, you may need to change settings in the modem. Correct setting will allow you to maintain a stable connection in a country where its telecommunication system may be different to others.

To change the modem setting, do the following:

1. Go to [Start > Settings > Control Panel] and double-click on Modem Settings icon. You will see the following dialog box.



2. Click on the pull-down menu and select the country where it is applicable. Click on OK to exit.

Virtual Keyboard

Because the tablet PC uses a touch-sensitive screen, it allows you to enter text quickly by using the virtual keyboard.

To activate the virtual keyboard, do the following:

Double-click on the Virtual Keyboard icon on the desktop or at the lower right-hand corner of the task bar. (If you do not have short-cut icon on your desktop, the application can be found in the factory`s CD-ROM disk. [d:\utility\Virtual Keyboard\VirtualKeyboard.exe])



To exit the virtual keyboard, do the following:

Click on the Virtual Keyboard icon at the task bar`s right corner and select Exit.

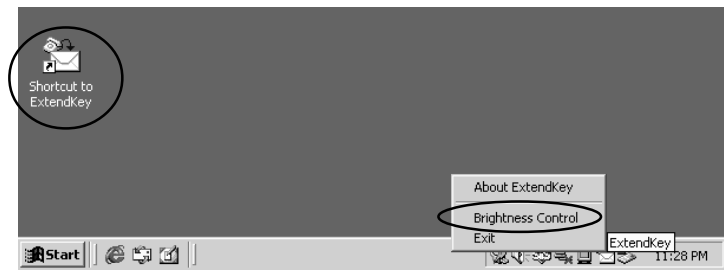


LCD Brightness Control

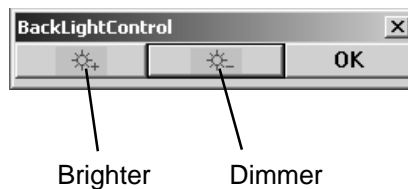
A utility software is provided to allow you to control the brightness of the LCD display.

To activate brightness control, do the following:

1. Double-click on the Short Cut to ExtendKey icon or click on the ExtendKey icon at the right-hand corner of the task bar. (If you do not see the ExtendKey icon on the desktop, the application can be found in the factory CD.)



2. Select Brightness Control and the following box appears.



3. Press the Brighter button several times to increase the brightness or press the Dimmer button to decrease the brightness. Press OK to exit.

Working Without Keyboard

There are occasions when OS requires to press the Ctrl-Alt-Delete keys such as when Windows2000 boots up.

To disable the Secure Boot Ctrl-Alt-Delete requirement, do the following:

1. Go to [Start > Settings > Control Panel] and double-click on Users and Passwords icon.
2. Go to the Advanced tab and do not check off *"Require users to press Ctrl-Alt-Delete..."*
3. Press OK to exit.

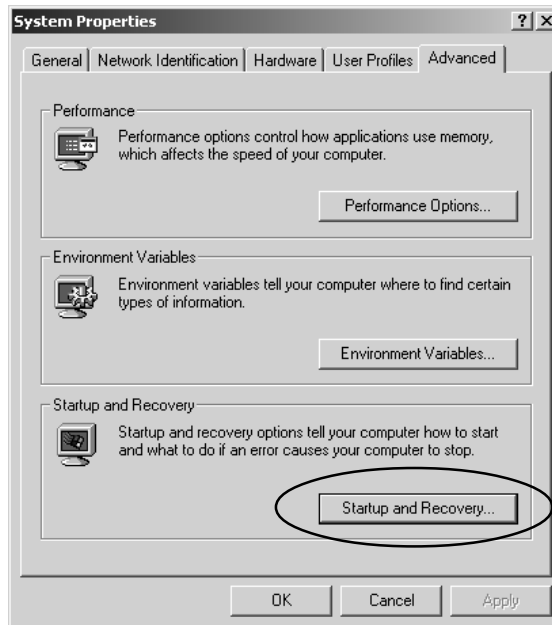


Automatic Reboot

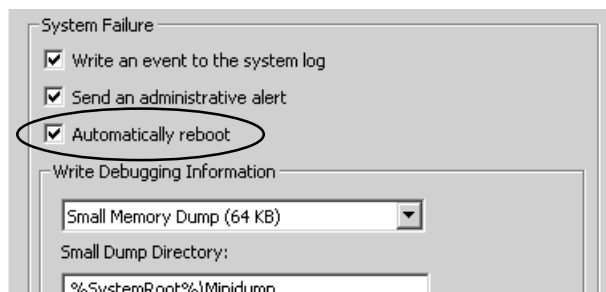
The system allows automatic rebooting when system locks up.

To enable automatic reboot, do the following:

1. Go to [Start > Settings > Control Panel] and double-click on the System icon.
2. Go to the Advanced tab and click on Startup and Recovery.



3. Put a check on Automatically reboot and press OK to exit.

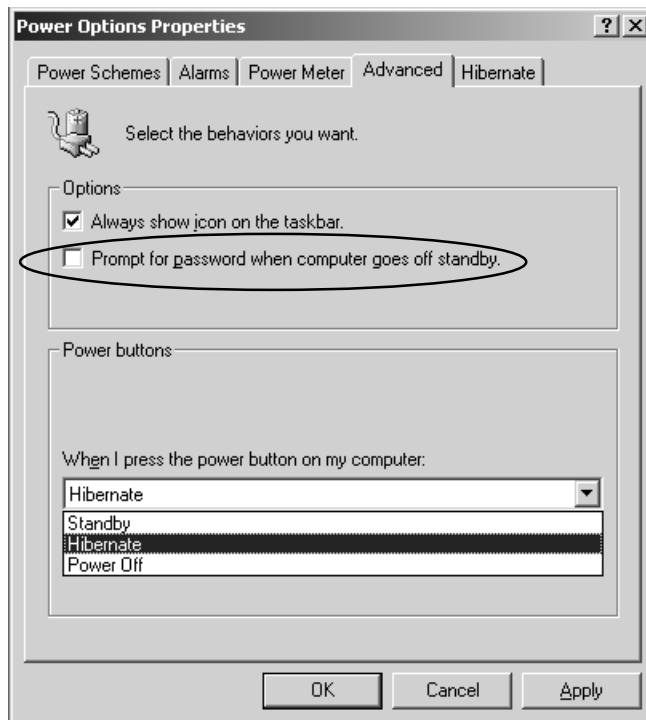


Standby Resume Security

If you enable the Windows` Standby Resume Security function, you will be prompted to enter a password with a mechanical keyboard after the computer wakes up from the suspend state.

To disable standby resume password prompt, do the following:

1. Go to [Start > Settings > Control Panel] and double-click on the Power Options icon. Click on the Advanced tab.



2. Leave the `Prompt for password...` field unchecked. Press OK to exit.

SECTION 3

BATTERY POWER AND POWER MANAGEMENT

In this section, you will learn the fundamentals of power management and how to achieve longer battery life.

In this section, you will learn how to operate your tablet PC on battery power, how to handle and maintain the battery pack, and learn about Windows' power saving features.

TFT display, central processor, hard disk drive are the major hardware subsystems that consume the most power. Power management deals how these key components should behave to conserve power. For example, you can have the system turn off its display after 2 minutes of inactivity to save power. Efficient power management can help you work longer sessions before having to recharge the battery.

The Battery Pack



Note: Make sure the battery is fully charged before using.



Note: In the Standby suspend mode, a fully charged battery loses its power in roughly 1/2 ~ 1 day. When kept in storage, the battery's power will deplete in 1-2 month.



Note: Do not touch the metal ends of the battery connector.

When the notebook operates on battery power, the Battery LED indicator will be on.

Lithium-Ion Battery

Your computer uses an removeable 9-cell Lithium-Ion battery pack that provides power when you don't have access to an AC outlet.

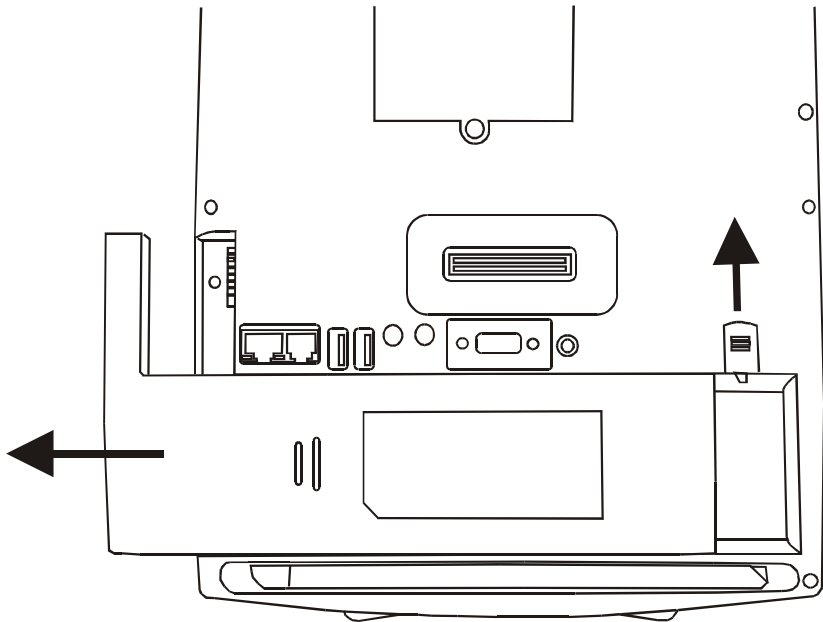


Warning:
Do not expose battery packs to temperatures below 0 degree Celsius (32 degree F) or above 60 degree C (140F). This may adversely affect the battery pack.

Installing and Removing the Battery Pack

To Detach the Battery Pack:

1. Position the notebook bottom-side up on a flat and secured surface.
2. Locate the battery latch. Slide the latch to its release position and hold.
3. While holding the latch, push out the battery's hard case and lift it from its recess bay.



To Install the Battery Pack:

1. Position the notebook bottom-side up on a flat and secured surface.
2. Carefully insert the battery pack into the recess bay until you hear a click indicating that the battery pack is locked into its bay.

Charging the Battery and Charging Time

While the battery pack is inserted in the tablet PC, plug the AC adapter into the notebook and an electrical outlet.

The charging time is approximately 2-3 hours when the computer is turned off and approximately 6-7 hours when the computer is turned on.

If your tablet PC is plug into an AC outlet, the battery will still be trickle-charged even when it is in operation. Charging an empty battery pack in the trickle-charge mode will take about 6-7 hours to attain full charge.

When the battery is fully charged, the battery charge indicator becomes **dark (off)**.



Note:
*Be sure to reserve
adequate time for
charging before
travelling.*

Checking the Battery Level

You can check the remaining battery power in the Windows battery status indicator, which is located at the lower right-hand corner of the task bar. The accuracy is within +/- 5-7%.

Alternatively, you can access the power meter by clicking the Power Management icon in the Windows Control Panel.

Prolonging the Battery Pack's Life and Usage Cycles

There are ways you can do to prolong the use of battery.

- Use the AC adapter wherever AC wall outlet is available. This will ensure uninterrupted computing.
- Purchase additional battery pack.
- Store the battery pack in room temperature. Higher temperature tends to deplete the battery's power faster.
- Make good use of the power management function. Hibernate suspend mode saves the most energy by storing current system contents in a hard disk space.
- Even when PC card is not operating, it still draws a small amount of power. Eject the PC card from the card slot when not in use.
- The life expectancy of the battery is approximately 500 recharges.
- See the notices section in the beginning of the user manual on how to care for the battery pack.



Note:
Read Section
Protecting Your
Tablet PC in the
beginning of this
manual for tips
about how to
maintain the
battery pack.

Using Windows Power Options



Note:
When running on battery, try to refrain from opening too many applications at once.

In the Windows Power Options Properties (Start > Settings > Control Panel > Power Options) dialogue boxes, you may enter time-out values for display and hard disk drive. Windows power manager saves power by turning off hard drive after 1 minute of inactivities, for example. The following section will describe how to make use of the power saving feature.

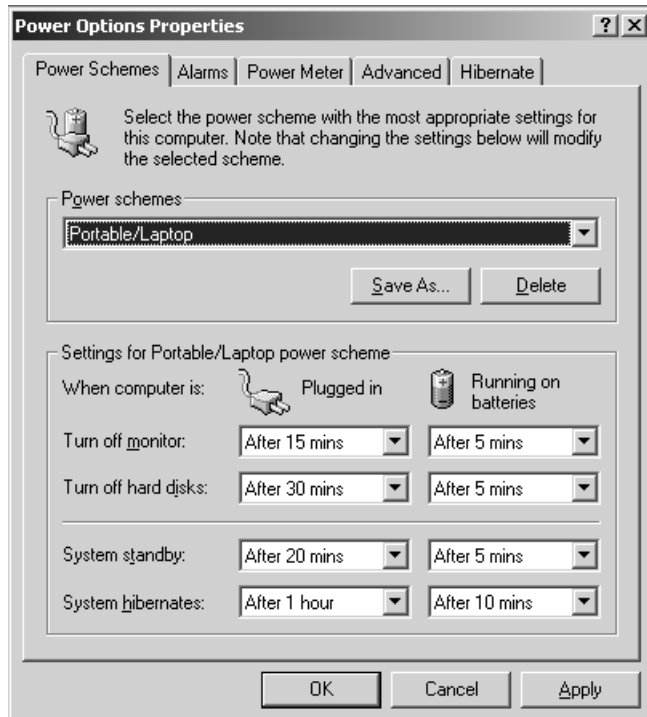
Power Schemes

Go to [Start > Settings > Control Panel] and double-click on Power Options icon.

In this dialog box, you can manually set the LCD and hard drive's time-out values in the Plugged in column and in the Running on batteries column. Lower time-out values will save more battery power.



Note:
Also consult Windows user guide for more information on how to use Windows power management functions.



Suspend Mode

Standby Suspend

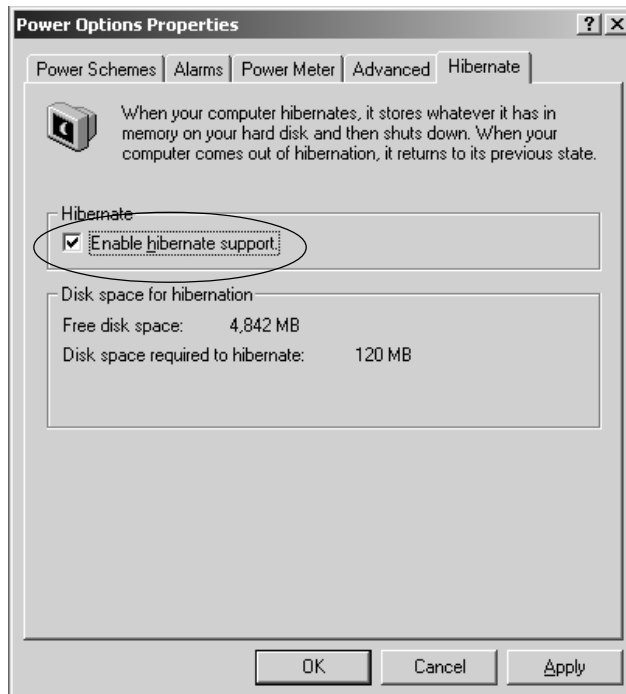
The system automatically enters this mode after a period of inactivity, which is set in the Power Schemes dialog box. In Standby mode, hardware devices, such as display panel and hard disk, are turned off to conserve energy.

Hibernate Suspend

In this mode, all system data are saved in the hard disk before powering down. When this mode is activated, all system state and contents are saved to the hard disk drive after a period of inactivity defined by the user. No power is drawn from the battery module under this mode.

However, depending on how much RAM that have been installed on your notebook, the amount of time the system requires to restore all its previous contents can range from 5 to 20 seconds. For Windows ME / 2000 users, hibernation is handled by the operating system; therefore, no special disk partition or disk file is necessary.

If you wish to activate Hibernate mode, you need enable Hibernate Support in the Hibernate tab of the Power Options manu.



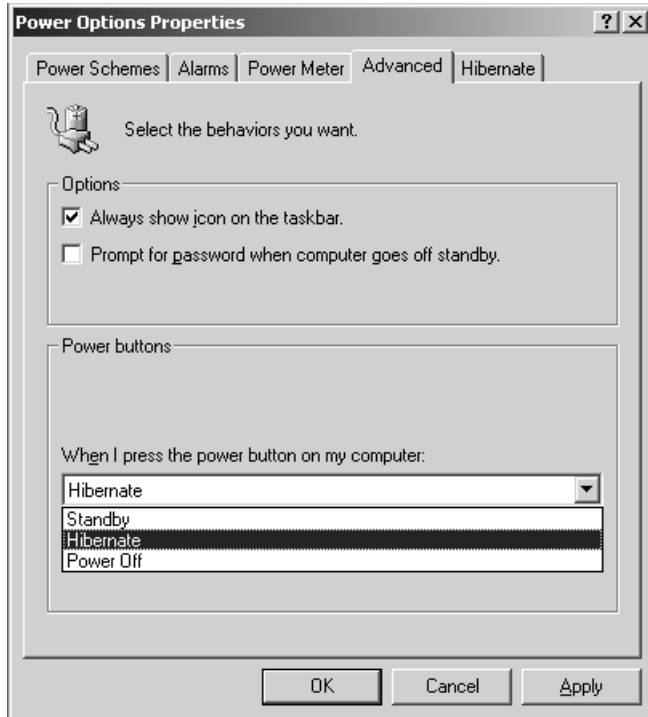
Power Button Action

The tablet PC's power button can be set to turn off the system or activate the suspend mode.



*Note:
Do not install or
remove the
memory module
when the system is
in the suspend
mode.*

Go to [Start > Settings > Control Panel > Power Options] and click on the Advanced tab. In the pull-down menu, select how you wish the power button to work as.



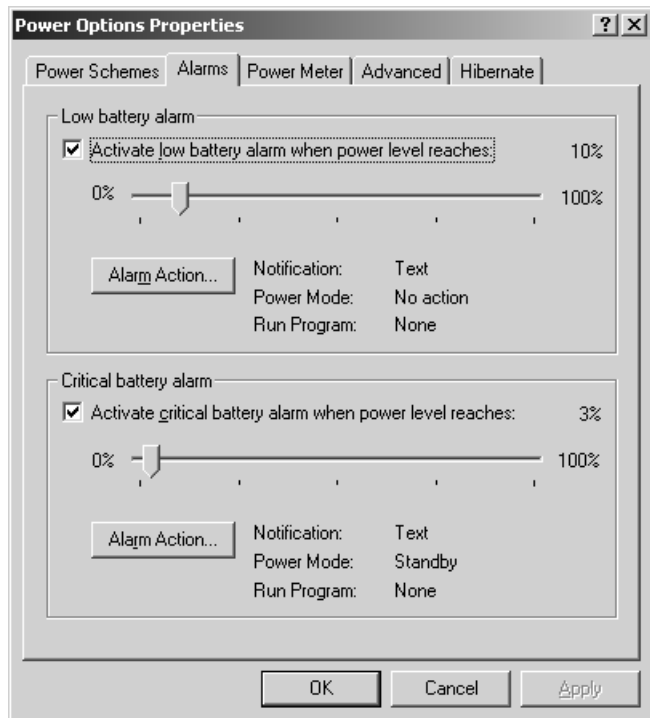
Low Battery Warning

You can define when and how the system warns you of its battery-low condition.



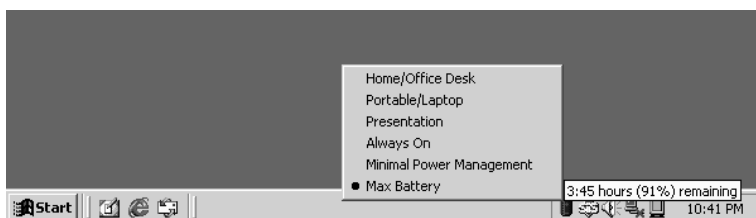
Note:
Consult *Windows user guide* for more information on how to use *Windows power management functions*.

Go to the Alarms tab in the Power Options Properties box. If you wish to hear audible beeps, click on the Alarm Action button and put a check on Sound Alarm.



Power Menu Quick Access

In stead of making specific selections in the Power Options Properties box, you can quickly and easily specify which pre-set power saving function you desire by clicking on the Battery icon at the lower right-hand corner of the task bar. (If you do not see a battery or AC-in icon, go to Power Options Properties box and click on the Advanced tab. Check off "Always show icon on the task bar".) Select Max Battery if you want the system to enter suspend mode more often. Or, select Always On if your tablet PC is plugged into an AC power source.



SECTION 4

UPGRADING YOUR COMPUTER

In this section, you will learn how to install the memory module to your tablet PC.

Upgrading the System Memory

Many applications will generally run faster when the system's memory capacity is increased. The tablet PC provides two expansion sockets (usually one slot is already pre-installed by your dealer or at the factory), located on back side of the system. You can increase the amount of memory by adding a dual inline memory module (commonly known as DIMM.) The DIMM can be 16MB, 32MB, 64MB, 128MB or 256MB in capacity. The DIMM is of type Synchronous DRAM, has 144 pins and runs on 3.3V. The speed of the DIMM may be PC100 or PC133.



Warning: Memory upgrade in this tablet PC is a delicate process. Please observe the following instructions carefully or have a qualified technician install it for you. Damages due to mishandling of this procedure is NOT covered by the manufacture's warranty.



Warning: Changing memory while your computer is in suspend or power-saving mode may cause permanent damage to the tablet PC. Make sure you turn off the power and unplug the AC cord before proceeding with a memory upgrade.

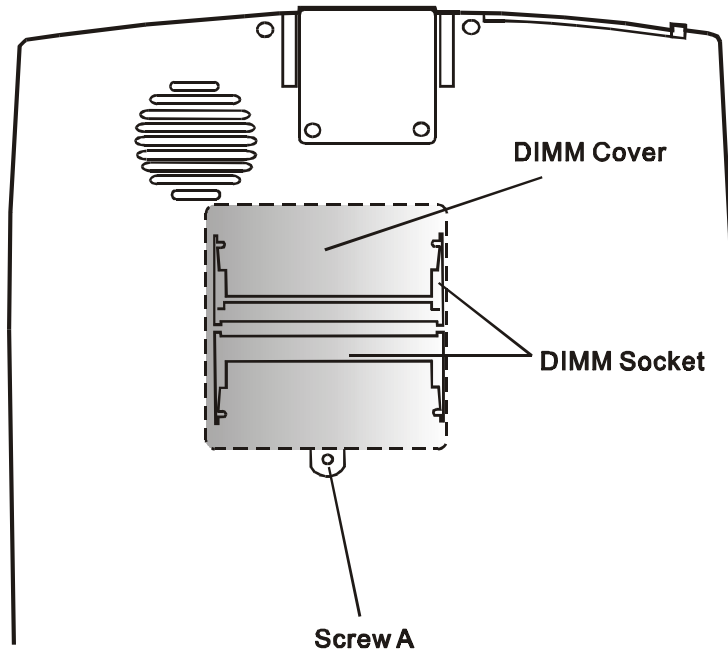
Installing a memory module (DIMM) into the system

To install a new DIMM, do the following:



Warning:
To avoid damaging the DIMM, do not touch its metal contact edge to avoid the electrostatic damage from static electricity.

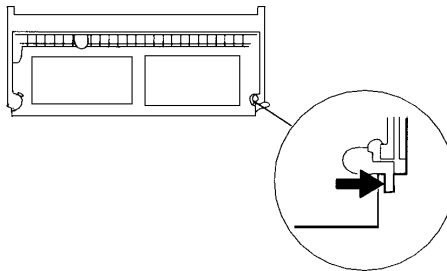
1. Power OFF the tablet PC. Unplug the AC cord and all cables/devices attached to the system.
2. Place your hand on a large metal object momentarily to discharge any static electricity.
3. Place the tablet PC on a flat surface face-down.
4. Find the DIMM Cover on the back of the computer and remove Screw A. Lift the DIMM Cover off the computer.



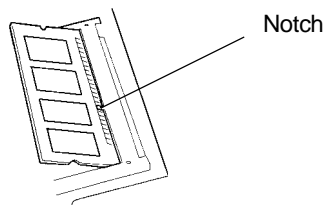


Note:
Notice the notch on the DIMM. The notch should fit nicely with the socket.

5. If you want to remove an existing DIMM from the socket, press out on the latches located on both edges of the socket at the same time. The DIMM should pop up to an angle of 30 degree (see diagram below.)



6. Pull the DIMM module out of the memory socket. Store away the DIMM for the future use.
7. Install the new DRAM module into the memory socket. The DIMM will only fit in one orientation. Insert the DIMM at an angle of approximately 30 degrees into the empty memory socket. Then push it firmly so that the contact edge is driven into the receiving socket.



8. Pivot the DIMM until the latches on both sides of the socket snap into place. At the time, you will hear a click.
9. Re-attach the DIMM Cover and the screw.

You have now completed the memory upgrade.



Note:
Your computer has been tested with a wide range of DIMM brands on the market. However, not all memory modules are compatible. Check with your vendor for a list of compatible DIMM for your tablet PC.

SECTION 5

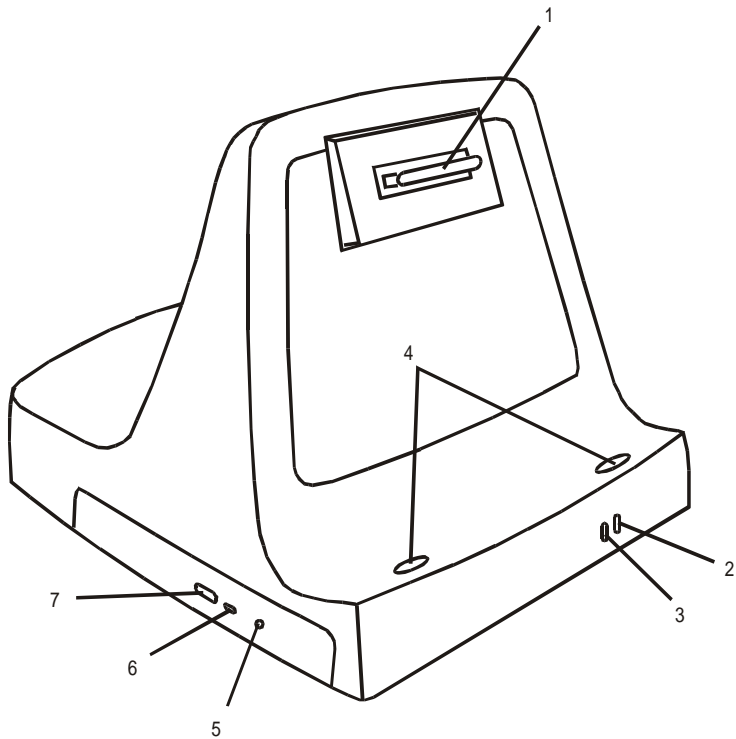
DOCKING STATION

In this section, you will learn how to use the tablet PC with the optional docking station.

In this section, you will learn how to use the optional docking station and to fully take advantage of its functions.

The docking station replicates most of the ports on the tablet PC and added an optical disk drive (CD-ROM or DVD-ROM) for mass data transfer or video disk playback.

Front View



1. **Docking Connector**
The receptor connects with the docking connector on the back side of the tablet PC.
2. **Ready To Remove LED Indicator**
When the indicator lights up, you can safely remove the tablet PC from the docking station.

3. **AC-in Power Indicator**

The LED indicator lights up when the docking station is connected to an AC power source via the AC adapter.

4. **Indentation Mark**

The indented areas fit with the rubber feet on the tablet PC.

5. **Manual Eject Hole**

If the CD-ROM drive is jammed, insert a straightened-out paper clip or a needle into this hole to manually eject the CD-ROM disk tray.

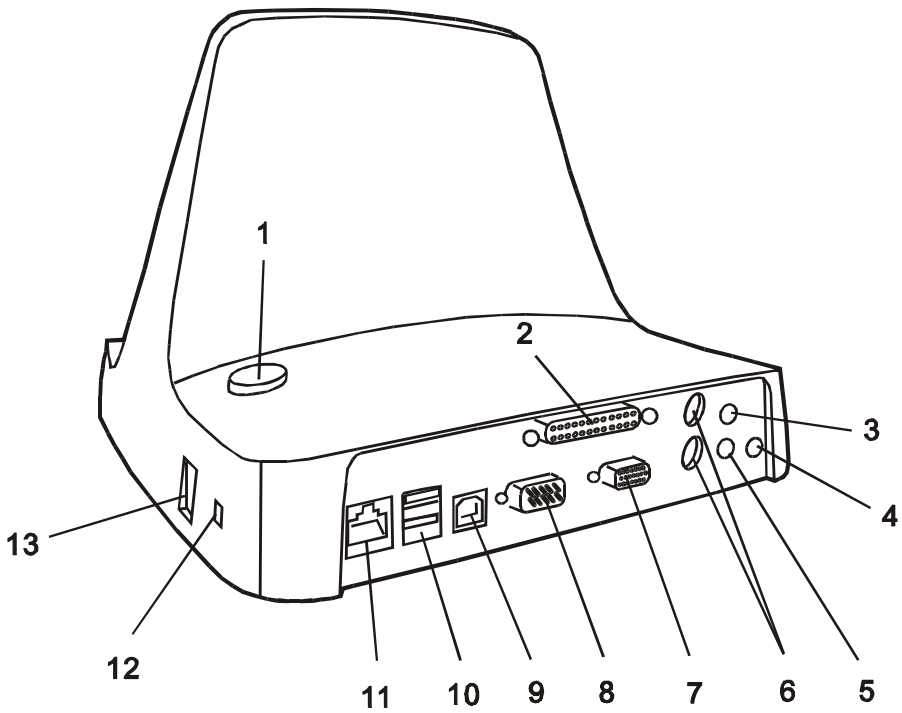
6. **CD-ROM LED Indicator**

The LED indicator lights up momentarily when the drive is transferring data.

7. **Eject Button**

Press the eject button to eject the CD-ROM disk tray.

Rear View



1. Eject Button

Press the eject button before removing the tablet PC from the docking station.

2. Parallel Port

The parallel port is where you connect the printer or any device using parallel connection.

3. Microphone Jack

The microphone jack (3.5-mm diameter) is where you connect a microphone.

4. Power Jack (DC-in)

This is where the AC Adapter connects to. It allows the external AC source to power the system and charges its battery pack.

5. **Stereo Headphone Jack**

The stereo headphone jack (3.5-mm diameter) is where you connect the headphones or external speakers.

6. **PS2 Keyboard / Mouse Port**

The PS2 ports allow you to connect to a PS2-type keyboard and PS2-type mouse.

7. **External VGA Port**

The 15-pin analog VGA output port connects to the external CRT monitor or projector.

8. **Serial Port**

The 9-pin serial port allows you to connect to a serial modem or any serial-port devices.

9. **USB Master**

???

10. **USB Port**

The Universal Serial Bus (USB) ports allow you to connect a wide variety of devices via the USB cable to your tablet PC. This ports conform to USB plug-and-play standards.

11. **Ethernet / LAN Port**

The port connects to a network hub via the RJ-45 cable and also conforms to 100Base-TX transmission protocol.

12. **Kensington Lock Key Hole**

A Kensington-type security lock latches to this key-hole for anti-theft purpose.

13. **Modem Port**

This is where you plug the phone jack (RJ-11) for fax/modem functions. The built-in 56kpbs modem is V.90 compatible.

How to Connect the Tablet PC to the Docking Station



Note:
Be sure to connect the docking station to a valid AC source via the AC adapter.

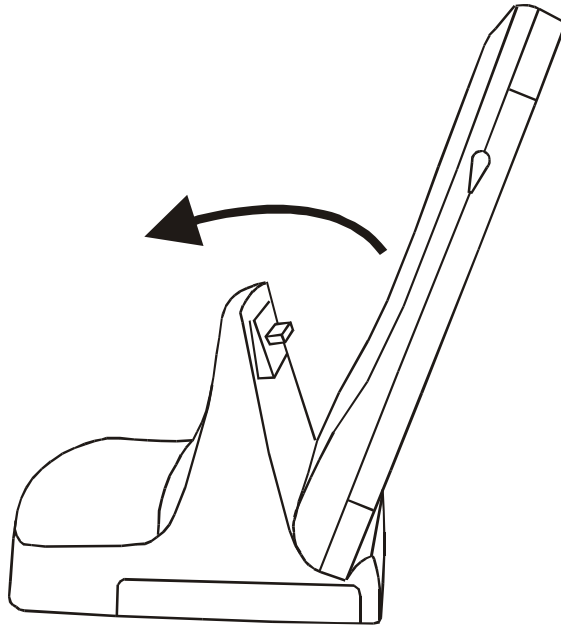
The docking station replicates most of the ports on the tablet PC. Additionally, it provides an optical drive for mass data transfer and / or video CD playback.

To dock the tablet PC to the docking station, do the following:

1. The tablet PC can only dock in a standing up position (portrait). Place the rubber feet of the tablet PC on to the indentation marks (indented areas) of the docking station at an angle, similar to the below illustration.

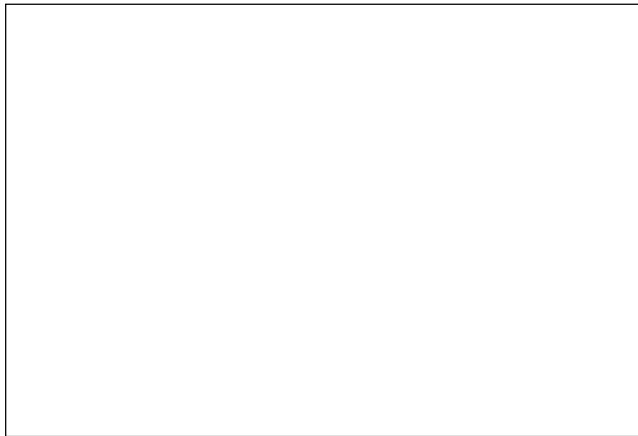


Note:
Windows2000 supports hot insertion; you do not need to restart the computer to allow the system to recognize the new device. However, for Windows 98 and ME, you will need to restart Windows after you place the tablet PC onto the docking station.



2. Push the tablet PC according to the direction shown by the arrow above until the female and male connectors lock firmly.

Once you have successfully completed the docking sequence, you can access My Computer in Windows and verify that a CD-ROM drive or DVD-ROM drive is present. Also, if you double-click on the Unplug or Eject Hardware icon at the right-hand corner of the task bar, you will see the following message.

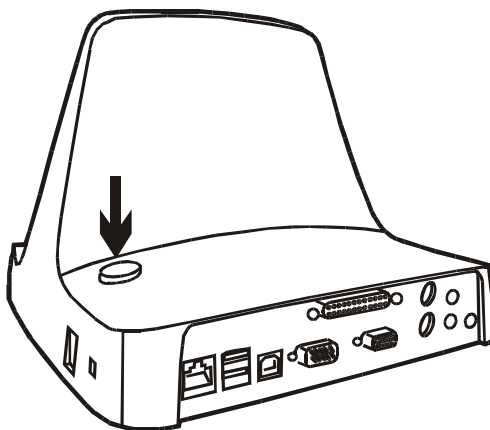


Once you have docked the tablet PC onto the docking station, an internal locking mechanism will prevent you from removing the tablet PC. This will prevent the system from crashing.

How to Remove the Tablet PC from the Docking Station

To remove the tablet PC from the docking station, do the following:

1. Press the Eject button on the docking station. In a moment, the Ready To Remove LED indicator located on the front of the docking station will light up, indicating it is safe to remove the tablet PC. The internal locking mechanism will release its lock and you may hear an audible click. Alternatively, you can click on the Unplug or Eject Hardware icon at the right-hand corner of the task bar and Stop the device. A message will pop up indicating it is safe to remove the tablet PC.



SECTION 6

TROUBLE SHOOTING

In this section, you will learn how to solve common hardware and software problems.

Your tablet PC has been fully tested and complies with the system specifications before shipping. However, incorrect operations and/or mishandling during shipment may cause problems.

This section provides a reference for identifying and correcting common hardware and software problems that you may encounter.

When you encounter a problem, you should first try to go through the recommendations in this section. Instead of returning the tablet PC and waiting for repair, you may easily solve the problems by considering the following problems and possible solutions. If the error continues, contact your reseller for service information.

Before taking further actions, consider the following suggestions:

- Check to see if the problem persists when all the external devices are removed.
- Check to see that the green light indicator on the AC adapter is lit.
- Check to see the power cord is properly plugged to the wall outlet and to the notebook.
- Check to see the power indicator of the computer is on.
- Check the brightness control if the LCD display appears dim.
- Check to see if your keyboard is operational by pressing and holding any key.
- Check for any incorrect or loose cable connections. Make sure the latches on the connectors latch securely on to the receptor end.

- Be sure all the device drivers are installed properly. For example, without the audio driver properly installed, the speakers and microphone will not work.
- If external devices such as scanner, SCSI card do not function correctly when connected to the system, it may be the device`s own problem. Consult the device`s manufacturer.
- Some software programs, which have not gone through rigorous coding and testing, may cause problems during your routine use. Consult the software vendor for problem solving.
- Not all peripheral are plug-and-play capable. You need to restart the system with these devices powered up and connected first.

Audio Problems

No speaker output -

- Software volume control is turned down in Microsoft Sound System. Double-click the speaker icon on the lower right corner of the taskbar to see if the speaker has been muted.
- Most audio problems are software-related. If your computer worked before, chances are software may have been set incorrectly.
- Go to [Start > Settings > Control Panel] and double-click the Multimedia icon (or Sounds and Multimedia icon). In the Audio page, make sure that [SiS 7018 Wave](#) is the preferred playback device.

Sound can not be recorded -

- Double-click the speaker icon on the lower right corner of the taskbar to see if the microphone has been muted.
 1. Click Options and select Properties.
 2. Select Recording and click the OK button.
 3. After Click OK button, the recording volume control panel will appear.
- Go to [Start > Settings > Control Panel] and double-click the Multimedia icon (or Sounds and Multimedia icon). In the Audio page, make sure that SiS 7018 Wave is the preferred recording device.

Hard Disk Problems

The hard disk drive does not spin -

- Check the hard disk indicator LED. When you access a file, the LED lamp should light up momentarily.
- The HDD may be defective.
- If your tablet PC has been subjected to static electricity or physical shock, you may damaged the disk drive.

The hard drive is making abnormal whining noises -

- You should back up your files as soon as possible.
- Make sure the source of noise if indeed from the hard drive and not the fan or other devices.

The hard disk drive has reached its capacity -

- Delete backup files or move them to an alternative storage medium (floppy disk, optical recordable disk, etc.). Many programs save backup files. You can delete backup files from the hard disk to create more space for new work.
- Archive files or programs that you had no longer used by moving them to an alternative storage medium (floppy disk, optical recordable disk, etc.) or uninstall programs that no longer use.
- Many browsers store files in the hard drive as a cache to speed up the performance. Check the program's Online Help for instructions on decreasing the cache size or on removing temporary Internet files.
- Empty the Recycle Bin to create more disk space. When you delete files, Windows saves them to the Recycle Bin.

The hard disk takes longer to read a file -

- If you have been using the drive for a period, the files may be fragmented. Go to [Start > Programs > Accessories > System Tools > Disk Defragmenter] to perform a disk defragment. This operation may take a while.

The files are corrupted -

- Run the ScanDisk surface scan to check the platter. (This function is available in Windows. Go to [Start > Programs > Accessories > System Tools > ScanDisk] to perform a disk surface scan. This operation may take a while.

CD-ROM or DVD-ROM Problems

The CD-ROM or DVD-ROM drive of the docking station does not work -

- Try rebooting the system.
- The disk is damaged or files are not readable.
- After you have inserted a CD-ROM disk, it may take a moment before you can access its content.

The drive does not read any disks -

- The CD may not be properly seated in the tray. Make sure the disk is firmly seated onto the spindle.
- The disk is damaged or not readable.

The disk can not be ejected -

- Normally, it takes a few seconds to eject the disk.
- If the disk can not be ejected, it may be mechanically jammed. Straighten out a paper clip and insert it to a tiny hole next to the eject button. This should reject the disk tray. If not, return the unit for repair.

Display Problems

The display panel is blank when the system is turned on -

- Make sure the notebook is not in the suspend mode. The display is turned off to conserve energy in these modes.
- Use the brightness control utility to increase the screen brightness.

The screen is difficult to read -

- Use the brightness control utility to increase the screen brightness.
- The display resolution should be set to 1024x768 for optimal viewing.
 1. Go to [Start > Settings > Control Panel] and double-click on the Display icon.
 2. Under the Settings page, click the Advanced icon.
 3. Under the Display Modes page to set the resolution to 1024x768 and choose at least 256 colors.

The screen flickers -

- It is normal if the display flickers a few times during shutting down or powering up.

Keyboard and Pointing Device (Mouse) Problems

The infrared keyboard accepts no input -

- This computer is designed to use only one keyboard at once time. If you are connecting an external USB keyboard to the system, the infrared keyboard may not work.
- Try restarting the system.

The external PS/2 or serial mouse does not work -

- A special mouse may require a unique driver. Make sure the driver is properly installed.
- A special external mouse with the thumb-wheel (scroll-wheel) is not plug-and-playable. In order to enable this device, you need to have the mouse connected to the P/S2 port before powering up to Windows. Also, you may need to install the driver, which is specifically designed for this special type of mouse, to make it work.

The built-in touch screen performs erratically -

- Do not rest your palm or wrist on the surface of the touch screen while using the stylus.
- If the membrane on the LCD panel appears broken or slashed, the touch screen will stop working.

The characters on the screen repeat while I type.

- You may be holding the keys down too long while you're typing.
- Keep the keyboard clean. Dust and dirt under the keys could cause them to stick.
- Configure the keyboard to wait longer before the auto repeat feature starts. To adjust this feature, Go to [Start > Settings > Control Panel], and double-click on the Keyboard icon. A dialogue box shows up with the adjustable settings for the keyboard.

CMOS Problem***A message "CMOS Checksum Failure" displays during the booting process -***

- If the message "CMOS Checksum Failure" appears during the booting procedure, it may indicate failure of the CMOS battery. Return the computer to the dealer for service.

Infrared Problems

The infrared communication port does not work -

- The tablet PC supports standard serial infrared transmission. It does not support fast IR transmission.
- Windows NT 4.0 does not support infrared devices.
- Remove any objects that sit between the communicating path.
- Make sure the communicating devices are not more than 1 meter apart and are aligned in a straight-line fashion.
- Make sure that IR device is enabled in the Control Panel. If the infrared icon at the lower right corner of the task bar has a red 'x' symbol, it is being disabled. Click on the icon and in the Option page check off the Infrared Communication item.

Memory Problems

The POST does not show an increased memory capacity when you have already installed additional memory -

- Certain brands of memory module may not be compatible with your system. You should ask your vendor for a list of compatible DIMM.
- The memory module may not be installed properly. Go back to Section 4 to review the details of this operation.
- The memory module may be defective.

The O/S issues an insufficient memory error message during operation -

- This is often a software or Windows-related problem.
- Close the application programs you're not using and restart the system.
- Otherwise, you have to install additional memory module. For instructions, go to Section 4 *Upgrading Your Computer*.

Modem Problems

The built-in modem does not respond -

- Make sure the modem driver is loaded properly.
Go to [Start > Settings > Control Panel > Modem] and make sure HAMR 56 or SmartRiser56 Voice Modem is listed in the Modems Property page. Otherwise, click the Add button to add the modem drive, which is located in the factory CD-ROM (or floppy diskette).
- Go to [Start > Settings > Control Panel > System] and in the Device Manager page check for possible resource or driver conflict. See Windows on-line help or manual for how to handle such problems.
- Make sure the phone line the computer is connected to is working.

Connection difficulties -

- Be sure to disable Call Waiting.
- Excessive line noise might cause the connection to be dropped. To check this, put the regular phone handset on the line and placing a phone call. If you do hear abnormal noise, try to make the modem connection with a different line or contact your local telephony company for service.
- Make sure the RJ-11 cable (the one that goes from the modem to the telephone line) is firmly connected to the modem's RJ-11 jack and the telephone line socket.
- Check the serial port settings. Make sure the hardware and software are referring to the same COM port.
- Check the communications parameters (baud rate, parity, data length and stop bits) specified in the communications program.
- Try a different receiver number and see if the problem persists.
- Be sure the line has a dial tone.

Network Adapter Problems

The Ethernet adapter does not work –

- Go to [Start > Settings > Control Panel] and double click the System icon. Select the Device Manager tab from the System Properties. Double-click on Network Adapters and check if [SiS 900 PCI Fast Ethernet Adapter](#) appears as one of the adapters. If it does not exist, Windows has not detected the SiS adapter or the device driver has not been installed. If there is a yellow mark or red cross on the SiS network adapter, there may be a device or resource conflict. Consult Windows manual on how to solve this problem.
- Make sure the physical connections on both ends of the cable are good.
- The hub or concentrator may not be working properly. Check to see if other workstations connected to the same hub or concentrator are working.

The Ethernet adapter does not appear to operate in the 100Mbps transmission mode –

- Make sure the hub you are using supports 100Mbps operation.
- Make sure that your RJ-45 cable meets the 100Base-TX requirements.
- Make sure the Ethernet cable is connected to the hub's socket that supports 100Base-TX mode. The hub may have both 100Base-TX and 100Base-T sockets.

PC Card (PCMCIA) Problems

PC Cards do not function-

- Make sure you have properly installed the driver for the card.
- Consult the card's manual or contact the vendor for troubleshooting.

The PC card can not be recognized -

- Windows NT4.0 does not support PCMCIA (PC Card) function. You may need an external program for this.
- Make sure the card is fully inserted; the outer end of the card should be even with the edge of the computer.
- Remove and insert the PC card again.
- Make sure there is no IRQ conflict with the card. See Windows on-line help for solving IRQ conflicts.
- Reboot the computer and see if the problem persists.
- The card may be defective. Try the card on another system, if possible.

Windows crashes or freezes when you remove the PC card-

- Make sure you have <Stop> the PC card before removing it. Click on the PC card icon at the lower right corner of the task bar and select the card you wish to stop. When you click <OK>, in few seconds Windows will prompt you to remove the card.

Performance Problems

The computer becomes hot -

- In a 35°C environment, the computer's bottom case is expected to reach 50 degrees.
- Make sure the air vents are not blocked.
- If the fan does not seem to be working at high temperature (50 degrees Celsius and up), contact the service center.
- Certain programs that are processor-intensive may increase the computer's temperature to a degree where the computer automatically slows down its CPU clock to protect itself from thermal damage.

The program appears stopped or runs very slowly -

- Restart the system.
- This may be normal for Windows when it is processing other CPU-intensive programs in the background.

- You may be running too many applications. Try to close some applications or increase system memory for higher performance.
- The processor may have overheated due to the system's inability to regulate its internal heat. Make sure the tablet PC's ventilation grills are not blocked.

Power, Start, and Battery Problems

The computer powers down as soon as it is powered on -

- Battery power may be extremely low. The circuitry prevents a complete power drain, which is not intended for Lithium Ion batteries. Use the adapter to charge it for several hours before trying again.

The computer beeps intermittently -

- When battery charge is critically low, an audible beep warns you. Go to Section 3 to learn to disable the alarm.

The battery life gets shorter and shorter -

- The battery has a finite life of about 500 charge cycles. If your battery is over one or two years old, it may be time to have it replaced.
- Try a higher power saving setting in the Windows Power Options.

The battery does not charge -

- Make sure the AC adapter is plugged into a valid power source.
- The battery charge indicator LED on the computer should be lit when you plug in the AC adapter.
- Make sure the battery module is fully inserted in its bay; make sure the battery latch is in locked position.
- If the battery is operating at a very high temperature, it may not charge.

Printing Problems

The printer does not print -

- Make sure the cable connection is secured and the printer is powered up.
- Run the printer self test to see if it reports any problem.
- Check if the printer displays any error messages. A paper jam may have occurred.
- Make sure you have already installed the printer driver.
- Most printer (using parallel or serial port) problems are software-related. Consult Windows on-line help or contact the printer vendor for assistance.
- Try rebooting the system with the printer powered up and connected first.

The printer does not print what's on the screen -

- The information displayed on the screen may not exactly be the same as what is printed.
- If the printer print extra and strange symbols, it is the result of the cache (garbage) in the printer memory buffer. Call off all the printer task and toggle off the printer power switch to clear up the memory buffer. Then, turn the printer back online and print again.
- Make sure you install the correct printer driver.

The printer does not respond to infrared communication -

- See Infrared Problems listed elsewhere in this section.

Parallel, USB Problems

The Parallel Port does not work -

- Make sure the cable is fully connected.
- The parallel-port devices may not *be plug-and-play* capable. Reboot the computer with the devices powered up and connected first.

The USB device does not work -

- Windows NT 4.0 does not support USB protocols
- Check the settings in the Windows Control Panel.
- Make sure you have installed the necessary device drivers.
- Contact the device vendor for additional support.

APPENDIX A

PRODUCT SPECIFICATION

Processor and Core Logic

- *Processor* Intel Celeron processor
micro PGA package
- *L1 Cache* 32KB (16KB for Code Instruction, 16KB for Data) on-die
- *L2 Cache* 128KB on-die
- *Core logic* SiS630S chipset with graphic, audio, modem, and Ethernet controller integrated
- *Bus Architecture* 66 /100/133 MHz Front Side (Memory) Bus
AGP Bus

System Memory

- *Memory Type* Synchronous DRAM, PC100 / PC133 compatible
- *Default* 32MB / 64MB, 3.3-Volt 64-bit bus
- *Memory Expansion* Total of Two 144-pin SO-DIMM sockets

LCD

- *Display Panel* 10.4-inch SVGA active-matrix TFT display with up to 16M colors

Graphics

- *Graphic Controller* SiS 630S with integrated AGP bus 2D / 3D graphics accelerator
- *Graphics Ability* UltraAGP architecture graphics capability (similar to 4X AGP), 3D Graphics Supported
- *Playback* Motion Compression and IDCT Supported for DVD Playback
- *Multimonitor Display* Simultaneous LCD / External Monitor Display
Dual Independent LCD and External Monitor Display Supported
- *Memory Sharing* Share-memory architecture with up to 50% of the total system memory and/or up to 32MB
- *Other Features* Direct3D compatible,
DirectX 6.0 compatible,
VESA DDC1, DDC2B & DDC 3.0 supported.

Storage Capacity

- *Hard Disk* 2.5-inch format (9.5mm height) hard disk drive

Audio

- *Audio Chipset* SiS 630S with integrated audio controller
- *Sound Capability* 64-voice Polyphony Wavetable Synthesizer
DirectSound 3D accelerator for IID, IAD and Doppler effects
Full duplex, independent sample rate converter
SoundBlaster Pro/16 compatible
AC'97 V2.1 compatible
Full duplex and independent sample rate converter for audio recording and playback

Modem

- *Chipset* SiS 630S with Modem Controller integrated
- *Transmission Speed* V.90 / K56flex for download data speed up to 56000bps.
V.34, V.17, V.29 protocol supported

LAN

- *Network Adapter* SiS 630S with integrated PCI Fast Ethernet function for 100Base-TX network standards.
- *PnP Function* Windows 95 / 98 / ME / 2000 Plug and Play compatible
- *Flow Control* Automatic Jam and auto-negotiation for flow control
- *Speed Seletion* Auto Negotiation and Parallel detection for automatic speed selection (IEEE 802.3u)
- *Other Features* High performance 32-bit PCI bus master architecture with integrated DMA controller for low CPU and bus utilization.
Remote Wake-up Scheme supported
Hot Insertion supported

Other Standard Hardware

- *Keyboard* Infrared-transmitting (CIR type) 87-key touch-type QWERTY keyboard with embedded numeric Keypad
- *Pointing Device* 4-wire resistive type Touch Screen
- *Digital Camera* CCD, up to 640x480 resolution, manual focus ring, macro lens support, USB1.0 interface

PC Card

- *PCMCIA Controller* O2Micro OZ 6812 / 6912 controller
- *Features* Single slot for TYPE I/II
Hot insertion and removal supported

Ports

- *VGA Port* One 15-pin CRT connector
- *Audio Port* One stereo line-out jack & One microphone-in jack
- *Infrared Port* One FIR LED and One CIR-type LED for keyboard
- *USB Port* Two USB connectors
- *Modem Port* One standard phone jack (RJ-11)
- *LAN Port* One standard network connector (RJ-45)
- *Power Port* One DC-in connector
- *Docking Port* One docking connector for docking station
- *mini PCI Slot* One internal mini PCI type III A or B slot

Power

- *Main Battery* Li-Ion 9-cell, 11.1V, 5400mAh, 60W
- *AC Adapter* Input: 100~240V, 50~60Hz, 1.7A Max @ 115V
Output: 16V, 3.75A, 60W
- *Recharge* System OFF: 3.7~4.2 HR (100%)
System ON: 6~6.5 HR (100%)
- *Other Features* Low Battery Warning
Suspend / Resume capability

BIOS

- *PnP Function* AMI PnP BIOS
- *Self Test* Power On Self Test
- *Auto Detection* DRAM auto-detection, auto-sizing
L2 Cache auto-detection
Hard disk type auto-detection
- *Power Management* APM 1.2 (Advanced Power Management) &
ACPI 1.0 (Advanced Configuration Power Interface)
- *Security* Two Level Password Protection
- *Other Features* 32bit access, Ultra DMA, PIO5 Mode support
Multi-boot capability

Operating System

- *O/S* Microsoft Windows 95 / 98 / ME / 2000
Microsoft NT 4.0

Physical Specification

- *Weight* 290 (L) x 220 (W) x 26 (H) mm
3.96 lbs / 1.8KG
- *Environmental Limitations* Operating Temperature: 5 to 35°C (41 to 95°F)
Operating Humidity: 20 to 90 percent RH (5 to 35°C)
Storage Temperature: -20 to 50°C (-4 to 122°F)

Optional Devices

Docking Station
DIMM module
mini PCI card: 2.4GHz Wireless LAN (IEEE802.11b)
2.4GHz Bluetooth Module

Note: Product Specifications are subject to change without notice.

Docking Station

- *DVD ROM or CD-ROM* UDMA 66 / IDE-interface, 5.25-inch format (12.7mm height)
- *PnP Function* Hot insertion support with Windows2000
- *Port*
 - One 15-pin CRT connector
 - One stereo line-out jack & One microphone-in jack
 - One 25-pin parallel connector (ECP / EPP)
 - One 9-pin serial connector
 - Two USB connectors
 - One standard phone jack (RJ-11)
 - One standard network connector (RJ-45)
 - One DC-in connector
 - One docking connector for the tablet PC
- *Button* One Eject button for system removal
- *LED Indicator*
 - One AC-in Green LED indicator
 - One Ready-to-Remove Orange LED indicator
- *Weight* (L) x (W) x (H) mm
lbs / KG
- *Environmental Limitations*
 - Operating Temperature: 5 to 35°C (41 to 95°F)
 - Operating Humidity: 20 to 90 percent RH (5 to 35°C)
 - Storage Temperature: -20 to 50°C (-4 to 122°F)

APPENDIX B

AGENCY REGULATORY NOTICES

Federal Communications Commission Notice

This equipment has been tested and found to comply with the limits for a Class B digital device, pursuant to Part 15 of the FCC Rules. These limits are designed to provide reasonable protection against harmful interference in a residential installation. This equipment generates, uses, and can radiate radio frequency energy and, if not installed and used in accordance with the instructions, may cause harmful interference to radio communications. However, there is no guarantee that interference will not occur in a particular installation. If this equipment does cause harmful interference to radio or television reception, which can be determined by turning the equipment off and on, the user is encouraged to try to correct the interference by one or more of the following measures:

- Reorient or relocate the receiving antenna.
- Increase the separation between the equipment and the receiver.
- Connect the equipment into an outlet on a circuit different from that to which the receiver is connected.
- Consult the dealer or an experienced radio or television technician for help.

Modifications

The FCC requires the user to be notified that any changes or modifications made to this device that are not expressly approved by the Manufacturer may void the user's authority to operate the equipment.

Connections to Peripheral Devices

Connections to this device must be made with shielded cables with metallic RFI/EMI connector hoods to maintain compliance with FCC Rules and Regulations.

Declaration of Conformity

This device complies with Part 15 of the FCC Rules. Operation is subject to the following two conditions: (1) this device may not cause harmful interference, and (2) this device must accept any interference received, including interference that may cause undesired operation.

European Notice

Products with the CE Marking comply with both the EMC Directive (89/336/EEC) and the Low Voltage Directive (73/23/EEC) issued by the Commission of the European Community.

Compliance with these directives implies conformity to the following European Norms:

- EN55022 (CISPR 22) Radio Frequency Interference
- EN50082 (IEC801-2, IEC801-3, IEC801-4) Electro-magnetic Immunity
- EN60950 (IEC950) Product Safety

Canadian Notice

This digital apparatus does not exceed the Class B limits for radio noise emissions from digital apparatus as set out in the radio interference

regulations of the Canadian Department of Communications.

Le present appareil numerique n'emet pas de bruits radioelectriques depassant les limites applicables aux appareils numeriques de Classe B prescrites dans le reglement sur le brouillage radioelectrique edicte par le Ministere des Communications du Canada.

Power Cord Requirement

The power cord supplied with the computer's AC adapter should match the plug and voltage requirements for your local area. Regulatory approval for the AC adapter has been obtained using the power cord for the local area. However, if you travel to a different area and need to connect to a different outlet or voltage, you should use one of the power cords listed below. To purchase a power cord (including one for a country not listed below) or a replacement ac adapter, contact your local dealer.

U.S. and Canada

- The cord set must be UL-Listed and CSA-Certified.
- The minimum specifications for the flexible cord are (1) No. 18 AWG, (2) Type SJ, and (3) 3-conductor.
- The cord set must have a rated current capacity of at least 10 A.
- The attachment plug must be an earth-grounding type with a NEMA 5-15P (15A, 125V) or NEMA 6-15P (15 A, 250V) configuration.

Japan

- All components of the cord set (cord, connector, and plug) must bear a "T" mark and registration number in accordance with the Japanese Dentori Law.
- The minimum specification for the flexible cord are: (1) 0.75 mm² conductors, (2) Type VCT or VCTF, and (3) 3-conductor.
- The cord set must have minimum rated current capacity of 7 A.
- The attachment plug must be a two-pole, grounded type with a Japanese Industrial Standard C8303 (15 A, 125 VAC) configuration.

Other Countries

- The cord set fittings must bear the certification mark of the agency responsible for evaluation in a specific country. Acceptable agencies are:
 - BSI (UK)
 - OVE (Australia)
 - CEBEC (Belgium)
 - SEMKO (Sweden)
 - DEMKO (Denmark)
 - SETI (Finland)
 - EANSW (Australia)
 - SEV (Switzerland)
 - IMQ (Italy)
 - UTE (France)

KEMA (The Netherlands)

VDE (Germany)

NEMKO (Norway)

- The flexible cord must be of a HAR (harmonized) type HO5VV-F 3-conductor cord with a minimum conductor size of 0.03 square inches.
- The cord set must have a current capacity of at least 10 A and a nominal voltage rating of 125 / 250 VAC.

Battery Safety

- The battery pack is intended to use only with this computer.
- Do not disassemble the pack.
- Do not dispose of the battery pack in fire or water.
- To avoid risk of fire, burns, or damage to your battery pack, do not allow a metal object to touch the battery contacts.
- Handle a damaged or leaking battery with extreme care. If you come in contact with the electrolyte, wash the exposed area with soap and water. If it contacts the eye, flush the eye with water for 15 minutes and seek medical attention.
- Do not charge the battery pack if the ambient temperature exceeds 45°C (113°F).
- To obtain a replacement battery, contact your local dealer.
- Do not expose the battery pack to high storage temperatures (above 60°C, 140°F).
- When discarding a battery pack, contact your local waste disposal provider regarding local restrictions on the disposal or recycling of batteries.

CAUTION: Danger of explosion if battery is incorrectly replaced. Replace only with same or equivalent type recommended by the manufacturer. Discard used batteries according to the manufacturer's instructions or local laws.

VORSICHT! Explosionsgefahr bei unsachgemäßen Austausch der Batterie. Ersatz nur durch denselben oder einem vom Hersteller empfohlenem ähnlichen Typ. Entsorgung gebrauchter Batterien nach Angaben des Herstellers.

CAUTION: MODEL W101S1 FOR USE WITH POWER SUPPLY MODEL
LSE9802A2060 / LSE9901A2070
ATTENTION: MODEL W101S1, POUR UTILISER AVEC LE MODELE
LSE9802A2060 / LSE9901A2070

Laser Safety

The CD-ROM drive used with this computer are certified as a Class 1 laser device according to the U.S. Department of Health and Human Services (DHHS) Radiation Performance Standard and International Standards IEC 825 / IEC 825-1 (EN60825 / EN60825-1). The device is not considered harmful, but the following precautions are recommended:

- Do not open the unit.
- Avoid direct exposure to the laser beam.
- If the unit requires service, contact an authorized service center.
- Ensure proper use by reading and following the instructions carefully.
- Do not attempt to make any adjustment of the unit.

CLASS 1 LASER PRODUCT APPAREIL A LASER DE CLASSE 1 LASERSCHUTZKLASSE 1 PRODUKT
--

LED (Infrared) Safety

The infrared port located on the left side of this computer is classified as a Class 1 LED (light-emitting diode) device according to International Standard IEC 825-1 (EN60825-1). This device is not considered harmful, but the following precautions are recommended:

- Do not attempt to view the infrared LED beam with any type of optical device.
- Do not attempt to make any adjustment of the unit.
- If the unit requires service, contact an authorized service center.
- Avoid direct eye exposure to the infrared LED beam. Be aware that the beam is invisible light and cannot be seen.

CLASS 1 LED PRODUCT LEDSCHUTZKLASSE 1 PRODUKT
--

CD-ROM warning

Warning! Do not attempt to disassemble the cabinet containing the laser. The laser beam used in this product is harmful to the eyes. The use of optical instruments, such as magnifying lenses, with this product increase the potential hazard to your eyes. For your safety, have this equipment serviced only by an authorized service provider.

CLASS 1 LASER PRODUCT LASER KLASSE 1 LUOKAN 1 LASERLAITE APPAREIL A LASER DE CLASSE 1 EN60825-1

Lithium battery warning

This computer contains a lithium battery to power the clock and calendar circuitry.

CAUTION: Danger of explosion if battery is replaced incorrectly. Replace only with the same or equivalent type recommended by the manufacturer. Discard used batteries according to the manufacturer's instructions.

ATTENTION: Il y a danger d'explosion s'il y a un remplacement incorrect de la batterie. Remplacer uniquement avec une batterie du même type ou d'un type recommandé par le constructeur. Mettre au rebut les batteries usagées conformément aux instructions du fabricant.

VORSICHT! Explosionsgefahr bei unsachgemäßen Austausch der Batterie Ersatz nur durch denselben oder einem vom Hersteller empfohlenem ähnlichen Typ. Entsorgung gebrauchter Batterien nach Angaben des Herstellers.

Der Arbeitsplatzbezogene Schalldruckpegel nach DIN 45 635 beträgt 70dB (A) oder weniger.

Zum Netzanschluß dieses Gerätes ist eine geprüfte Leitung zu verwenden. Für einen Nennstrom bis 6A und einem Gerätegewicht größer 3kg ist eine Leitung nicht leichter als H05VV-F, 3G, 0.75mm² einzusetzen.

Die Steckdose muß nahe dem Gerät angebracht und leicht zugänglich sein.

Important Notice:

FCC Radiation Exposure Statement:

This equipment complies with FCC radiation exposure limits set forth for an uncontrolled environment. This equipment should be installed and operated with minimum distance 20cm between the radiator & your body. This transmitter must not be co-located or operating in conjunction with any other antenna or transmitter.