

# VIVIX-S 1012N User Manual



© Viewworks. 2014 All rights reserved.

Under copyright laws, this manual should not be reproduced, in whole or in part, without the written permission of Viewworks.

This device complies with part 15 of the FCC Rules. Operation is subject to the following two conditions: (1) This device may not cause harmful interference, and (2) this device must accept any interference received, including interference that may cause undesired operation.

Changes or modifications not expressly approved by the party responsible for compliance could void the user's authority to operate the equipment. This transmitter must not be co-located or operated in conjunction with any other antenna or transmitter.

5150~5250 MHz band is restricted to indoor operations only. (for FCC and CE)

FCC ID: PFRFXRD-1012NAW

FCC ID: PFRFXRS-03A


FCC ID: PFRFXRS-04A



FCC ID: PFRFXRD-1012NAW, PFRFXRS-03A and PFRFXRS-04A in the RF module do not use DFS band. \*RF module FCC ID:RYK-WPEA-121N.








Host device of the approved module shall be marked with the following item:






Contains Transmitter Module FCC ID:RYK-WPEA-121N

## Contents

<b>1. Instruction .....</b>	<b>6</b>
<b>1.1 Document Guide .....</b>	<b>7</b>
1.1.1 Caution Information .....	7
1.1.2 Target.....	7
1.1.3 Symbols.....	7
1.1.4 Notations.....	8
1.1.5 Contact Department.....	8
<b>1.2 Product Use Guide.....</b>	<b>9</b>
1.2.1 Product Usage.....	9
1.2.2 Disclaimer.....	9
1.2.3 Product Disposal.....	10
1.2.4 Trademarks.....	10
<b>1.3 Safety Instruction.....</b>	<b>11</b>
1.3.1 Management and Authority.....	11
1.3.2 Power Supply.....	11
1.3.3 Handling.....	12
1.3.4 Battery Pack and Charger.....	13
1.3.5 Environment of Use.....	14
1.3.6 Problem Management.....	15
1.3.7 Maintenance and Inspection.....	15
<b>1.4 Product Usage Guide.....</b>	<b>16</b>
1.4.1 Calibration.....	16
1.4.2 Length Measurement.....	16
1.4.3 Left/Right Marker.....	16
1.4.4 Image Backup.....	16
1.4.5 Use Limitations .....	17
1.4.6 Disposal.....	17
1.4.7 Pediatric Application .....	17
1.4.8 Before Exposure.....	17
1.4.9 During Exposure.....	18
1.4.10 Operating and Storage Environment .....	18
1.4.11 Others.....	18
<b>2. Product.....</b>	<b>19</b>
<b>2.1 Overview.....</b>	<b>20</b>
2.1.1 Features  [TBD] .....	20

<b>2.2</b>	<b>Product Components</b> .....	<b>21</b>
2.2.1	Detector.....	21
2.2.2	VIVIX SCU (VIVIX System Control Unit).....	21
2.2.3	Battery & Charger.....	22
2.2.4	Data.....	22
2.2.5	Other Accessories.....	22
<b>2.3</b>	<b>VIVIX-S 1012N Detector</b> .....	<b>24</b>
2.3.1	Specifications.....	24
2.3.2	Drawing Sheet.....	25
2.3.3	Functions.....	26
2.3.4	Deco Sheet  [TBD].....	27
2.3.5	Wireless Communication.....	27
2.3.6	Use Environment.....	28
<b>2.4</b>	<b>VIVIX SCU (VIVIX System Control Unit)</b> .....	<b>29</b>
2.4.1	Specifications.....	29
2.4.2	Drawing Sheet.....	30
2.4.3	Function – VIVIX SCU Basic.....	31
2.4.4	Function – VIVIX SCU Mini.....	33
<b>2.5</b>	<b>Battery Pack</b> .....	<b>35</b>
2.5.1	Specifications.....	35
2.5.2	Drawing Sheet.....	35
<b>2.6</b>	<b>Battery Charger</b> .....	<b>36</b>
2.6.1	Specifications.....	36
2.6.2	Drawing Sheet.....	36
<b>2.7</b>	<b>Others</b>  [TBD].....	<b>37</b>
2.7.1	X-ray Generator (Recommended Exposure Condition).....	37
2.7.2	Recommended Specification of Workstation (PC).....	37
2.7.3	Recommended Specification of Grid.....	37
<b>3.</b>	<b>System Configuration</b> .....	<b>39</b>
<b>3.1</b>	<b>Detector Connection Methods</b> .....	<b>40</b>
3.1.1	Wireless Connection.....	40
3.1.2	Wired Connection.....	41
<b>3.2</b>	<b>Diagram</b> .....	<b>42</b>
3.2.1	Block Diagram.....	42
3.2.2	Wiring Diagram.....	42

<b>3.3</b>	<b>System Configuration</b> .....	<b>43</b>
3.3.1	AP Mode (SCU AP Mode).....	43
3.3.2	Tether Interface Mode.....	44
3.3.3	External AP Mode.....	45
3.3.4	Detector AP Mode.....	46
3.3.5	Detector Stand-Alone Mode.....	47
<b>3.4</b>	<b>Generator Interface Mode</b> .....	<b>48</b>
3.4.1	AED (Auto Exposure Detection) Interface Mode.....	48
3.4.2	DR Trigger Interface Mode.....	49
<b>3.5</b>	<b>Configuring DR Trigger Interface Mode</b> .....	<b>50</b>
3.5.1	Trigger Interface Way.....	50
3.5.2	Packet Trigger.....	50
3.5.3	Line Trigger.....	51
3.5.4	EXT_INF Port Pin Map.....	52
3.5.5	Input / Output Circuit.....	54
<b>4.</b>	<b>Installation</b>  [TBD].....	<b>55</b>
<b>4.1</b>	<b>Battery Pack</b>  [TBD].....	<b>56</b>
4.1.1	How to insert a battery pack.....	56
4.1.2	How to detach a battery pack.....	57
4.1.3	How to charge a battery pack  [TBD].....	58
<b>4.2</b>	<b>Product Installation</b> .....	<b>60</b>
4.2.1	Connecting Devices  [TBD].....	60
4.2.2	Booting up SCU  [TBD].....	62
4.2.3	Booting up the Detector.....	62
4.2.4	Checking Status LED of Detector  [TBD].....	63
<b>4.3</b>	<b>Software Installation</b> .....	<b>64</b>
4.3.1	Software Classification  [TBD].....	64
4.3.2	Software Installation.....	64
<b>4.4</b>	<b>Windows Environment Setting</b> .....	<b>65</b>

4.4.1	Network Configuration  [TBD].....	65
4.4.2	Disabling Sleep Mode of Monitor .....	69
<b>5.</b>	<b>Setting  [TBD].....</b>	<b>70</b>
<b>6.</b>	<b>Calibration  [TBD] .....</b>	<b>74</b>
<b>7.</b>	<b>Diagnosis, Inspection and Maintenance  [TBD] .....</b>	<b>80</b>
<b>8.</b>	<b>Troubleshooting  [TBD] .....</b>	<b>89</b>
<b>9.</b>	<b>Regulatory Information .....</b>	<b>94</b>
<b>9.1</b>	<b>Medical Equipment Safety Standards .....</b>	<b>95</b>
9.1.1	Medical Equipment Classification .....	95
9.1.2	Product Safety Standard.....	95
<b>9.2</b>	<b>Radio Frequency Compliance Information.....</b>	<b>97</b>
9.2.1	FCC Compliance .....	97
<b>9.3</b>	<b>Labels and Symbols .....</b>	<b>98</b>
9.3.1	Label .....	98
9.3.2	Product Serial Number.....	100
9.3.3	Product Symbols.....	101
<b>9.4</b>	<b>Guidance and Manufacturer’s Declaration for EMC.....</b>	<b>102</b>
9.4.1	Electromagnetic Emissions .....	102
9.4.2	Electromagnetic Immunity.....	103
<b>10.</b>	<b>Information.....</b>	<b>106</b>
<b>10.1</b>	<b>Service Information .....</b>	<b>107</b>
10.1.1	Product Lifetime .....	107
10.1.2	Regular Inspection and Maintenance .....	107
10.1.3	Repair .....	107
10.1.4	Replacement Parts Support.....	107
10.1.5	Consumables.....	107
<b>10.2</b>	<b>Warranty.....</b>	<b>108</b>
<b>10.3</b>	<b>Revision History.....</b>	<b>109</b>

---

# 1. Instruction

---

This section gives basic information of this manual and products with the safety guide.

Document Guide  
Product Use Guide  
Safety Instruction  
Product Operation Guide

DRAFT

## 1.1 Document Guide

This User Manual explains how to use the **VIVIX-S 1012N** detector made by Vieworks, X-ray interface unit, and other peripheral equipment. With this user manual, you can install, set and manage the **VIVIX-S 1012N** wired/wireless detectors as well as use its various functions.

### 1.1.1 Caution Information

**If the user is not fully acquainted with this manual, the product can be malfunctioned or unsuspected problem can be happened due to carelessness. To prevent any medical accidents, the user should fully understand the instructions of this manual before operating this product.**

### 1.1.2 Target

This manual is intended for service engineers who install and set the **VIVIX-S 1012N** detector.

### 1.1.3 Symbols

This product should be operated under the safety instructions with the warning or caution symbol in this manual. It is important for you to read and understand the contents with the following symbol for operating the products safely.

#### Caution and Warning Symbol



- This symbol is used to indicate a potentially hazardous situation which may cause death, personal injury or substantial property damage if the instructions are ignored. Be sure to understand the instructions of this symbol for the safe operation.

#### Information Symbol



- This symbol is used to indicate reference and complementary information related to the product. Users should read the instructions of this symbol carefully.

#### Symbol for Change



- This symbol is indicated in the cases below.
  - Items under consideration for adding, deleting or revising contents.
  - Items ready to review for the expected product change.
  - Items need a final review and approval.
  - Items which need to improve sentences or images.



### 1.1.4 Notations

#### **Bold Types**

We applied bold font style to the words which indicated products terms, or the words and sentences which are needed to transmit clear meaning to the customers. This helps you to easily distinguish the words from other technical ones for explaining functions.

### 1.1.5 Contact Department

For any comments or inquiries regarding this document, contact via email below.

Item	Contents
Department	Technical Support Division in Vieworks
E-mail	<a href="mailto:techsupport@vieworks.com">techsupport@vieworks.com</a>

## 1.2 Product Use Guide

This chapter provides instructions about the use of product and disposal as well as the liability limit of Vieworks.

### 1.2.1 Product Usage

- 1 Only a physician or a legally certified operator should use this product.
- 2 The equipment should be kept in a safe and operable condition by maintenance personnel.
- 3 Observe the contents written in this user manual when installing and using this product.
- 4 Use only specifications of computers and image display monitors recommended by this user manual.
- 5 Use only the dedicated cables provided with this product.
- 6 For details about installing and using this product, consult your sales representative or a distributor.

### 1.2.2 Disclaimer

- 1 In no event shall Vieworks be liable for damage or loss arising from a fire, earthquake, any intentional or negligent action by users.
- 2 In no event shall Vieworks be liable for damage or loss arising from any trial usage, or other usage under abnormal conditions.
- 3 In no event shall Vieworks be liable for personal physical harm or property damage that is sustained when the instructions of this manual are not followed.
- 4 In no event shall Vieworks be liable for direct or indirect consequential damages arising from the use of this product.
- 5 In no event shall Vieworks be liable for any damage arising from moving, alteration, inspection or repair by a person other than authorized service engineers.
- 6 In no event shall Vieworks be liable for loss of image data for any reason.
- 7 Roentgenography, image processing, image reading, and image data storage must be performed in accordance with the laws of the country or region in which the product is being used.
- 8 The user is responsible for maintaining the privacy of image data acquired from this product.
- 9 It is the responsibility of the attending physicians to provide medical care services. Vieworks will not be liable for faulty diagnoses.
- 10 Specifications, composition, and appearance of this product may change without prior notice.

### 1.2.3 Product Disposal

Disposal of this product in an unlawful manner may have a negative impact on human health and the environment. When disposing this product, therefore, be absolutely sure to follow the procedure which is in conformity with the laws and regulations applicable in your area.

#### European Union (and EEA\*) only



This symbol indicates that this product is not to be disposed with your household waste, according to the WEEE Directive (2002/96/EC) and your national law.

This product should be handed over to a designated collection point, e.g., on an authorized one-for-one basis when you buy a new similar product or to an authorized collection site for recycling electrical and electronic equipment (EEE). Improper handling of this type of waste



could have a negative impact on the environment and human health due to potentially hazardous substances that are generally associated with EEE. At the same time, your cooperation in the correct disposal of this product will contribute to the effective usage of natural resources. For more information on where you can drop off your waste equipment for recycling, please contact your local city office, waste authority, approved WEEE scheme, or your household waste disposal service.

\*EEA: Norway, Iceland, and Liechtenstein

### 1.2.4 Trademarks

The name "Vieworks" and Vieworks logo are registered trademarks of Vieworks.

© Vieworks. 2014 All rights reserved.

The copyright of this document is owned by Vieworks. Under copyright laws, this document cannot be reproduced, in whole or in part, without the written permission of Vieworks.

## 1.3 Safety Instruction

This product is designed and manufactured to ensure maximum safety of operation and to meet all the safety requirements applicable to electronic medical equipment. Follow these safeguards while using the products. If not, severe personal injury or substantial property damage can be happened. It is important for you to read and understand the contents of this manual before attempting to use the product.

### 1.3.1 Management and Authority



- The product should be installed, operated, and serviced according to Vieworks maintenance procedures and by personnel from Vieworks or distributor who providing purchase of the Vieworks' product.
- Operation and maintenance should be done in strict compliance with the operation instructions contained in the manual.
- The system, in whole or in part, cannot be modified in any way without prior approval from Vieworks.
- Before authorizing any person to operate the system, verify that the person has read and fully understood the User Manual. The owner should make certain that only properly trained and fully qualified personnel are authorized to operate the equipment. An authorized operators list should be made and maintained.
- It is important that this User Manual be kept at hand, studied carefully, and reviewed periodically by the authorized operators.
- If a malfunction occurs, do not use this device until qualified personnel corrects the problem.

### 1.3.2 Power Supply



- Do not operate the equipment using any type of power supply other than the one indicated on the rating label. Otherwise, it may result in a fire or electric shock.
- Do not supply power to more than one piece of equipment using the same AC outlet for this product. Doing so may result in a fire or electric shock.
- Do not connect a multiple portable socket-outlet or extension cord to the system. Doing so may result in a fire or electric shock.
- Always connect the three-core power cord plug to a grounded AC power outlet.
- Be sure to ground the equipment to an indoor grounded connector. Also, be sure to connect all the grounds for the system to a common ground.
- Do not use any power source other than the one provided with this product. Otherwise, a fire or electric shock may be caused due to a leakage.
- The owner should ensure continuous power supply to the system, with voltage and current according to the product specifications. If the system is powered unstably during its operation, we recommend you to install UPS (Uninterrupted Power Supply) to avoid loss of data.
- To make it easy to disconnect the plug at any time, avoid putting any obstacles near the

outlet. Otherwise, it may not be possible to disconnect the plug in an emergency.



- Do not place a heavy object such as medical equipment on cables and cords, and do not pull, bend, bundle, or step on them. Doing so may damage their sheath. If you alter them, it may damage the cords which could result in a fire or electric shock.
- Securely plug the power cord into the AC outlet. If contact failure occurs, or if dust/metal objects come into contact with the exposed metal prongs of the plug, fire or electric shock may result.
- Be sure to turn OFF the power to each piece of equipment before connecting or disconnecting the cords. Otherwise, you may get an electric shock that could result in death or serious injury.
- Be sure to hold the plug or connector to disconnect the cord. If you pull the cord, the core wire may be damaged, resulting in a fire or electric shock.
- Do not handle the product with wet hands. You may experience an electric shock that could result in death or serious injury.

### 1.3.3 Handling



- Never disassemble or modify the equipment. Doing so may result in a fire or electric shock. Also, since the equipment incorporates parts that may cause an electric shock as well as other hazardous parts, touching them may cause death or serious injury.
- Do not connect any equipment which is not specified in this User Manual.
- Do not place anything on surface of the equipment. The object may fall and cause an injury. Also, if metal objects such as needles or clips fall into the equipment, or if liquid is spilled, it may result in a fire or electric shock.
- Do not hit or drop the equipment. The equipment may be damaged if it receives a strong jolt. If the equipment is used without being repaired, it may result in a fire or electric shock.
- Do not place excessive weight on the detector. The internal image sensor may be damaged and it can affect to the image quality.
- Have the patient take a fixed posture and do not let him or her touch parts unnecessarily. If the patient touches connectors or switches, it may result in electric shock or malfunction of the equipment.
- Do not spill liquid or chemicals onto the detector. In cases where the patient is injured, protect the equipment with a disposable covering not allow to come in contact with blood or other body fluids. Otherwise, it may result in a fire or electric shock.
- For safety reasons, be sure to turn OFF the power of the equipment when the inspections indicated in this manual are going to be performed.
- Do not submerge the detector in water.
- Be sure to use the detector on a flat surface so it will not bend. Otherwise, the internal image sensor may be damaged. Be sure to securely hold the detector while using it in upright positions.

- Because the equipment cable is long, take care that cables do not become tangled during use. Also, be careful not to get your feet caught in the cable. It may cause a malfunction of the equipment or injury to the user from tripping over the cable.
- Do not block the ventilation ports of **VIVIX SCU** to prevent overheating. Overheating can cause product's malfunctions and damages.

### 1.3.4 Battery Pack and Charger

- Do not use the battery pack as a power source for equipment other than **VIVIX-S 1012N** detector. Be sure to use only the dedicated battery pack for the **VIVIX-S 1012N** detector.
- The battery charger is designed for the dedicated battery pack. Do not use the battery charger other than the dedicated one. Otherwise, a battery explosion or a battery leak may occur, resulting in fire or electrical shock.
- Do not operate the battery charger using any type of power supply other than the one indicated on the rating label.
- Do not handle the product with wet hands.
- Do not attempt to disassemble, alter, or apply heat to the product.
- Avoid dropping or subjecting the product to severe impacts. To avoid the risk of injury, do not touch the internal parts of the battery if it has been cracked.
- Stop using the battery pack immediately if it emits smoke, a strange smell, or otherwise behaves abnormally.
- Do not let the battery pack and battery charger come into contact with water or other liquids and do not allow them to get wet.
- Do not clean with substances containing organic solvents such as alcohol, benzene, thinner, or other chemicals. Otherwise, fire or electrical shock may result.
- Do not allow dirt or metal objects (such as hair pins, clips, staples or keys) to contact the terminals. Otherwise, battery explosion or leakage of electrolyte may occur, resulting in fire, injury or pollution of surrounding area. If the battery leaks and the electrolytes come into contact with your eyes, mouth, skin or clothing, immediately wash it away with running water and seek medical attention.
- Do not leave, store, or place the product in a location near heat sources, or in a place subject to direct sunlight, high temperature, high humidity, excessive dust, or mechanical shock. Otherwise, battery leakage, overheating or damage to the product may occur, resulting in electrical shock, burns, injury or fire.
- Do not attempt to use a battery pack that has deteriorated. Using a battery pack that has exceeded its life cycle may lead to overheating, fire or explosion.
- The Lithium ion battery is recyclable.
- Battery slowly discharges even if not in use.
- The battery pack may have expired if it discharges immediately after being fully charged. You can purchase an optional battery pack to replace an exhausted one.
- The battery pack is a consumable item. If a fully charged battery is consumed quickly, use a new and fully charged battery pack.
- Be sure to charge the battery periodically (once a year) if it is not used for an extended



period of time. The battery pack cannot be charged if it has been over discharged.

- Before discarding the battery pack, cover the terminals with adhesive tape or other insulators. Contact with other metal materials may cause fire or explosion.

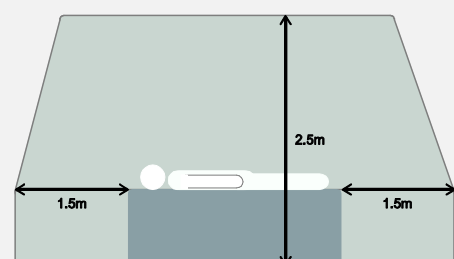
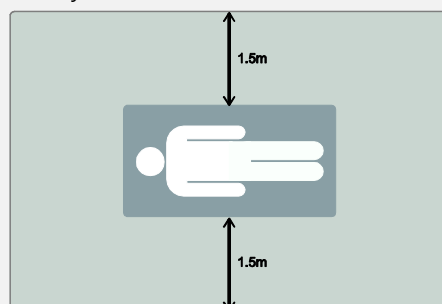
### 1.3.5 Environment of Use

- Do not install the equipment in any of the locations listed below. Doing so may result in failure or malfunction, equipment falling, fire, or injury.
  - Close to facilities where water is used.
  - Where it will be exposed to direct sunlight
  - Close to the air outlet of an air-conditioner or ventilation equipment
  - Nearby the electric heating appliance such as a heater
  - Where the power supply is unstable
  - In a dusty environment
  - In a saline or sulfurous environment
  - Where temperature or humidity is higher than the operating temperature
  - Where there is freezing or condensation
  - In areas prone to vibration
  - On an incline or in an unstable area

- This product may malfunction due to electromagnetic interference (EMI) caused by telecommunication devices, transceivers, electronic devices, etc. To prevent the electromagnetic wave from badly influencing the product, be sure to avoid placing it in close proximity to the product. Or, change direction or position of the product or move into the shielded place to reduce electromagnetic interference.



- This equipment is not suitable for use in the presence of a flammable anesthetic mixture with air or with oxygen or nitrous oxide.
- Conductive fluids that drain into the active circuit components of the system may cause short circuits that can result in electrical fire. Therefore, do not place fluids or food on any part of the system.
- To avoid electric shocks and burns caused by use of the wrong type of fire extinguisher, make sure that the fire extinguisher at the site has been approved for use on electrical fires.
- The battery charger and **VIVIX SCU** (System Control Unit) cannot be used in patient's vicinity.



### 1.3.6 Problem Management



- Should any of the following occur, immediately turn OFF the power to each piece of equipment, unplug the power cord from the AC outlet, and contact sales representative or distributor.
  - When there is smoke, an odd smell or abnormal sound no period.
  - When liquid is spilled into the equipment or a metal object is entered through an opening.
  - When the equipment has been dropped and is damaged.

### 1.3.7 Maintenance and Inspection



- Do not use or store the equipment near flammable chemicals such as acetone, benzene, thinner, etc. If chemicals are spilled or evaporated, it may result in a fire or electric shock through contact with electric parts inside the equipment.
- If any flammable cleaning agent is used for the product, be sure to take care when using them.
- When the equipment is going to be cleaned, be sure to turn OFF the power of the equipment and unplug the power cord from the AC outlet. Never use thinner, acetone, benzene or any other flammable cleaning agent. Otherwise, it may result in a fire or electric shock.
- Clean the plug of the power cord periodically by unplugging it from the AC outlet and removing dust or dirt from the plug, its periphery, and AC outlet with a dry cloth. If the cord is kept plugged in for a long time in a dusty, humid or sooty place, dust around the plug will attract moisture, and this could cause insulation failure that could result in a fire.
- Be sure to turn OFF the power of the equipment while cleaning. Otherwise, a fire or electric shock may occur.



## 1.4 Product Usage Guide



- When using the equipment, take the following precautions. Otherwise, problems may occur and the equipment may not function correctly.

### 1.4.1 Calibration

- To ensure optimal system performance, it is important to verify that the system is calibrated correctly.
- Check if the calibration is performed after the equipment is completed to be installed or repaired.
- Do not try to use the system if the calibration has not been performed.
- You can process calibration with the calibration data CD (provided).



- The calibration result can be different by the use environment. Therefore, if the result with the provided calibration data is not satisfied, you can create the data at the field in person by using **VIVIX Setup**, the calibration software.

### 1.4.2 Length Measurement

- Before taking any length measurement on an image, carry out the length calibration with a reference object and verify its results for correct measurement.

### 1.4.3 Left/Right Marker

- The operator is responsible for making a correct and clear mark on the left or right side of the image.
- The software includes a function to mark the image with **L** (left) or **R** (right) while acquiring the image through printing and archiving.
- Prepare an alternative way to prevent any confusion if the operator does not choose to use **L/R** marks.

### 1.4.4 Image Backup

- To avoid missing images which might result in a patient being exposed to additional dose of radiation, it is important to send images to PACS or backup images by using film or external storage media (CD, DVD, HDD, USB).
- If the hard disk of your workstation is about to be full, the operator should backup images to somewhere else and delete them to make storage (memory) space in the hard disk for new patients.



- The image backup should be done as a routine operation for every patient and image.

### 1.4.5 Use Limitations

- Vieworks software has the engineer mode operated by inputting the administrator password only.
- This mode should be operated by the person who is qualified by Vieworks.

### 1.4.6 Disposal

- Disposal of this product in an unlawful manner may have negative effects on human health and the environment.
- Be sure to follow the procedure which is in conformity with the laws and regulations applicable in your area.

### 1.4.7 Pediatric Application

- Every request should be reviewed by a pediatric radiologist prior to beginning the examination to ensure that an appropriate study is being performed.
- If the technologist notices an unusual request, he or she must contact a radiologist in charge. Examples include orders- a Full Cervical, Thoracic, and Lumbar Spine series. The pediatric radiologist should contact the ordering physician and decide which study is best for the pediatric patient.
- The technologist should use a proper technique considering the patient's size to decrease the radiation dose when he or she acquires diagnostic images.
- ALL pediatric patients shall be shielded for their X-ray examinations, except for when the shield will obscure the region of interest, as in a pelvic or SI joint X-ray for trauma or arthritis, or when it is physically or clinically unreasonable to shield the patient.
- For routine Hip X-Rays, ALL male children shall have their scrotum shielded using the small gonadal shield while females may not be shielded because doing so would obscure the hips.
- To minimize motion in infants and young children, swaddle the infant. Use distraction tools to improve cooperation and projectors with child-friendly themes, music, toys with flashing lights or music, child-friendly images on the ceiling or walls, singing, counting, and a parent reading and talking to the child through the console all can help reduce anxiety and comfort the child.
- A scoliosis series will consist of a single frontal standing view of the spine. No lateral view or supine view is needed, unless specifically asked for by the Orthopedist or Radiologist. If the female's breasts can be shielded without obscuring the spine, breast shields should be used.

### 1.4.8 Before Exposure

- Be sure to check the equipment daily and confirm that it works properly.
- Sudden heating of the room in cold areas will cause condensation to form on the equipment. In this case, wait until the condensation evaporates before performing an exposure. If the equipment is used while condensation is formed in it, problems may occur in the quality of captured images.
- When an air-conditioner is used, be sure to raise/lower the temperature gradually so that difference between the temperature in the room and in the equipment does not occur, to prevent condensation.

### 1.4.9 During Exposure

- This equipment is not protected (sealed) against liquids such as blood and medicine in the operating room. If necessary, wrap the equipment in a disposable cover when using it.
- Do not use the selected frequency channel (2.4 GHz and 5 GHz dual band) for other wireless devices. Mutual interference may affect the image data transmission rate.
- Do not use the detector near devices generating a strong magnetic field. Doing so may produce image noise or artifacts.

### 1.4.10 Operating and Storage Environment

- This equipment is mainly used in the X-ray exposure room and hospital wards. To use it in other places, consult Viewworks' sales representative or a distributor.
- Do not expose this equipment to high temperatures and/or high humidity. Malfunctions may occur.
- When not in use, keep the products in a safe location.
- Be sure to use and store this equipment under the conditions described below.

Classification	Temperature	Humidity (Non-condensing)	Atmosphere
<b>Operating Environment</b>	+10 ~ +35°C	30 ~ 85%	700 ~ 1060 hPa
<b>Storage Environment</b>	-15 ~ +55°C	10 ~ 90%	500 ~ 1060 hPa

### 1.4.11 Others

- Do not use this equipment in combination with peripherals such as defibrillators or large electric motors as these may cause power-supply noise or power supply voltage variations. Doing so may prevent normal operation of this equipment and peripherals.

---

## 2. Product

---

This section gives an instruction about the product components and specifications.

Overview

Product Components

VIVIX-S 1012N Detector

VIVIX SCU

Battery Pack

Battery Charger

Others

## 2.1 Overview

**VIVIX-S 1012N** detector is the digital X-ray imaging solution. It acquires images by exposing X-ray which has been penetrated the human body. When X-ray photons pass through scintillator in the detector, the photons convert to visible ray, and the visible ray is converted to electronic signals through TFT (a-Si). Then the detector digitalizes x-ray images and transfers them to the computer (workstation) for radiography diagnostics. Users can perform image diagnosis easily through the image display monitor with this process. Advanced digital image processing also allows considerably efficient diagnosis, all kinds of information management, and sharing of image information on network.



- This detector is used for the general-purpose diagnostic procedures, and it is intended to replace radiographic film / screen systems.
- This detector is not intended for mammography applications.






### 2.1.1 Features **[TBD]**





- Since **VIVIX-S 1012N** detector is compatible with a conventional film cassette, it enables to replace the analog radiographic diagnosis (Supporting ISO4090 standard).
- The new sensor with 124 $\mu$ m pixel pitch produces high spatial resolution (approx. 5.2 Mega pixels) digital images.
- Various applications such as neonatal, ENT, equine and cephalo
- Choose between two scintillator types (CsI and Gadox) of detector provided by Vieworks.
- The built-in wireless communication supports **IEEE 802.11n** to acquire images without a wired connection in anytime, anywhere.
- Make direct wireless communication with the built-in wireless AP function. (Inside AP™)
- Supports the stable and reliable AED (Auto Exposure Detection) function. (Anytime™)
- Designed as lightweight and thin with portability to allow easy exposure in anytime, anywhere.
- Used in various ways for infant / animals and in the dental clinic / ENT, etc.

## 2.2 Product Components




### 2.2.1 Detector

Component		Description
<b>VIVIX-S 1012N Detector</b>		<ul style="list-style-type: none"> <li>• FXRD-1012NAW (2.2kg)</li> <li>• FXRD-1012NBW (2.1kg)</li> </ul>
<b>Calibration DATA (CD)</b>	 [TBD]	<ul style="list-style-type: none"> <li>• Offset Calibration Data</li> <li>• Gain Calibration Data</li> <li>• Defect Map Data</li> </ul>
	<ul style="list-style-type: none"> <li>• A deco sheet attached on the detector can be different depending on each client company.</li> </ul>	





### 2.2.2 VIVIX SCU (VIVIX System Control Unit)

Component		Description
<b>VIVIX SCU Basic</b>		<ul style="list-style-type: none"> <li>• FXRS-03A (2.5kg)</li> <li>• FXRS-03B (2.8kg)</li> </ul>
		<ul style="list-style-type: none"> <li>• AC Power Cable (2m)</li> </ul>
<b>VIVIX SCU mini</b>		<ul style="list-style-type: none"> <li>• FXRS-04A (1.2kg)</li> </ul>
	<ul style="list-style-type: none"> <li>• You can choose either <b>VIVIX SCU Basic</b> or <b>VIVIX SCU mini</b> depending on the purpose of use.</li> </ul>	





### 2.2.3 Battery & Charger

Component	Description
VIVIX Battery	 [TBD] <ul style="list-style-type: none"> <li>FXRB-03A (0.12kg, 2EA)</li> </ul>
VIVIX Charger	 [TBD] <ul style="list-style-type: none"> <li>FXRC-02A (0.8kg)</li> </ul>
	 <ul style="list-style-type: none"> <li>DC 24V</li> </ul>

### 2.2.4 Data

Component	Description
Calibration Data	  <ul style="list-style-type: none"> <li>Pre-offset data</li> <li>Post-offset data</li> <li>Gain data</li> <li>Defect map data</li> </ul>
Resource	  <ul style="list-style-type: none"> <li>Software (Viewer or SDK)</li> <li>Manuals</li> </ul>

### 2.2.5 Other Accessories

Component	Description
Cables	 <ul style="list-style-type: none"> <li>Tether Interface Cable (7m)</li> </ul>
	 <ul style="list-style-type: none"> <li>Ether Con Cable (7m, Option)</li> </ul>
	 <ul style="list-style-type: none"> <li>Generator Interface Cable (7m)</li> </ul>
	 <ul style="list-style-type: none"> <li>UTP LAN Cable (15m, Direct)                             <ul style="list-style-type: none"> <li>CAT 5E or CAT6</li> </ul> </li> </ul>



- The use of accessories and cables other than those approved and sold by Vieworks Co., Ltd. may result in increased release of electromagnetic waves or decreased stability of the equipment.
- Accessory equipment connected to the analog and digital interfaces must be certified according to the respective IEC standards. All combinations of equipment must be in compliance with **IEC 60601-1-1** system requirements.
- Any person who connects additional equipment to the signal input or signal output ports configures a medical system, and is therefore responsible for ensuring that the system complies with the requirements of the system standard **IEC 60601-1**.
- Consult your sales distributor or manufacturer if you have any concerns.

DRAFT



## 2.3 VIVIX-S 1012N Detector

VIVIX-S 1012N is designed to acquire digital images by collecting x-ray signals and several conversion processes. You can use the acquired image (10" x 12" film size) diversely depending on the purpose of use.

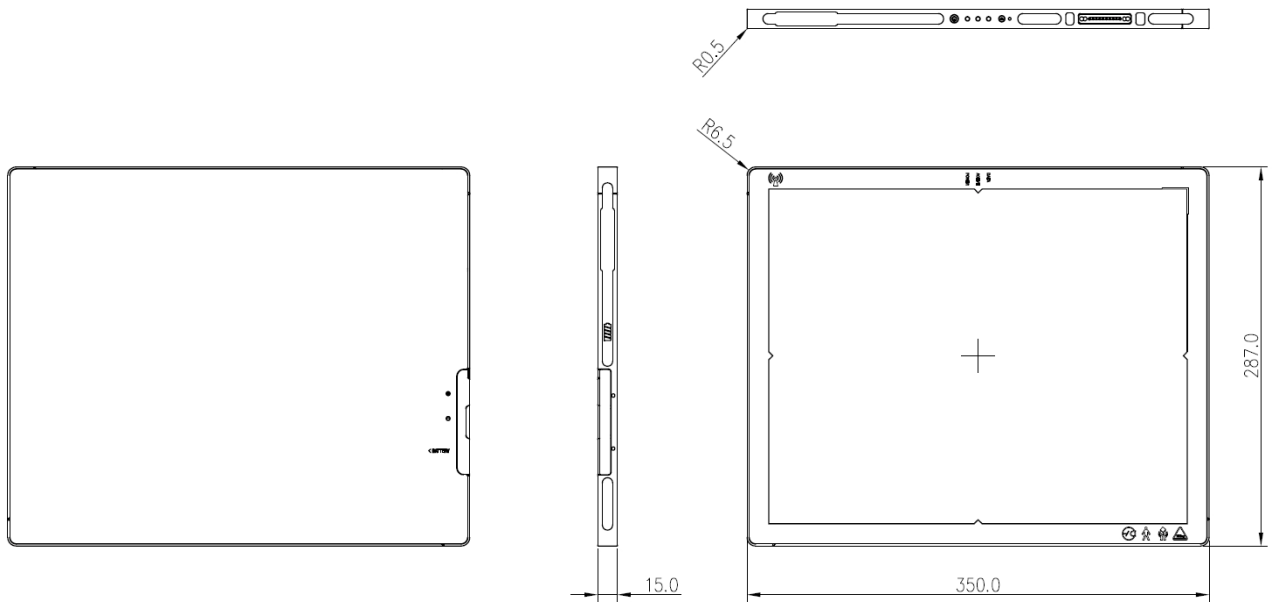


- VIVIX-S 1012N is one of the detector models produced by Vieworks.

### 2.3.1 Specifications

Item	Specifications
<b>Model</b>	<ul style="list-style-type: none"> <li>• FXRD-1012NAW (CsI, wireless)</li> <li>• FXRD-1012NBW (Gadox, wireless)</li> </ul>
<b>Image Sensor</b>	<ul style="list-style-type: none"> <li>• a-Si (Amorphous Silicon) TFT</li> <li>• Fill Factor : 60%</li> </ul>
<b>X-ray Scintillator Type</b>	<ul style="list-style-type: none"> <li>• FXRD-1012NAW : CsI: TI (Thallium doped Caesium Iodide)</li> <li>• FXRD-1012NBW : Gd<sub>2</sub>O<sub>2</sub>S:Tb (Gadolinium oxysulfide)</li> </ul>
<b>Pixel Pitch</b>	<ul style="list-style-type: none"> <li>• 0.124mm (124μm)</li> </ul>
<b>Field of View</b>	<ul style="list-style-type: none"> <li>• 10" x 12"</li> </ul>
<b>Active Area (H x V)</b>	<ul style="list-style-type: none"> <li>• 253.95mm x 317.44mm</li> </ul>
<b>Active Array</b>	<ul style="list-style-type: none"> <li>• 2048 x 2560 pixels</li> </ul>
<b>Effective Area</b>	<ul style="list-style-type: none"> <li>• 253.0mm x 316.4mm</li> </ul>
<b>Effective Array</b>	<ul style="list-style-type: none"> <li>• 2040 x 2552</li> </ul>
<b>Grayscale</b>	<ul style="list-style-type: none"> <li>• 16bit</li> </ul>
<b>Spatial Resolution</b>	<ul style="list-style-type: none"> <li>• Min. 4.0 lp/mm</li> </ul>
<b>Image Acquisition Time (Wired)</b>	<ul style="list-style-type: none"> <li>• 1 sec.</li> </ul>
<b>Image Acquisition Time (Wireless)</b>	<ul style="list-style-type: none"> <li>• 3 sec.</li> </ul>
<b>Recommended Cycle Time</b>	<ul style="list-style-type: none"> <li>• 15 sec.</li> </ul>
<b>X-ray Synchronization Control</b>	<ul style="list-style-type: none"> <li>• AED (Auto Exposure Detection)</li> <li>• DR Trigger (External line trigger)</li> </ul>
<b>Rated Power Supply</b>	<ul style="list-style-type: none"> <li>• DC +24 V, Max. 0.7 A</li> <li>▫ Wired: Powered by VIVIX SCU with a tether interface cable.</li> <li>▫ Wireless: Powered by a battery pack (3,100 mA h)</li> </ul>
<b>Power Consumption</b>	<ul style="list-style-type: none"> <li>• Max. 17 W</li> </ul>
<b>Dimensions (H x W x D)</b>	<ul style="list-style-type: none"> <li>• 287.0mm x 350.0mm x 15.2mm</li> </ul>
<b>Weight (including a battery pack)</b>	<ul style="list-style-type: none"> <li>• FXRD-1012NAW : 2.2 kg      • FXRD-1012NBW : 2.1 kg</li> </ul>
<b>Image Transfer</b>	<ul style="list-style-type: none"> <li>• Wired: Gigabit Ethernet (1000BASE-T) via PoE (Power over Ethernet)</li> <li>• Wireless: IEEE802.11n</li> </ul>
<b>Data Transmission Rate (Wired)</b>	<ul style="list-style-type: none"> <li>• Max. 1Gbps</li> </ul>
<b>Data Transmission Rate (Wireless)</b>	<ul style="list-style-type: none"> <li>• Max. 300Mbps (MIMO 2X2)</li> </ul>

### 2.3.2 Drawing Sheet

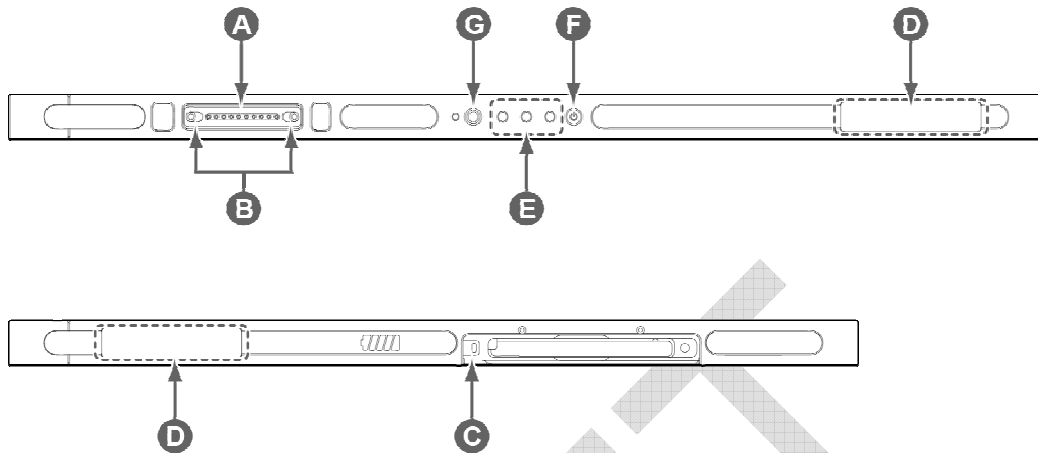


Item	Description
Dimensions (H × W × D)	287.0mm × 350.0mm × 15.0mm
Curvature of Edges	R6.5



- Under the **ISO4090** regulation, the allowed tolerance of a thickness of detector is from -2mm ~ +1mm.

2.3.3 Functions



Name	Description
<b>A Tether interface connector</b>	<ul style="list-style-type: none"> <li>Used for tighten the tether interface cable.</li> <li>Used for wired connection between a detector and <b>VIVIX SCU</b>.</li> </ul>
<b>B Tether interface holder</b>	<ul style="list-style-type: none"> <li>Fix/release holder of the tether interface cable.</li> </ul>
<b>C Battery lock lever</b>	<ul style="list-style-type: none"> <li>Lock/unlock lever of the equipped battery pack.</li> </ul>
<b>D Antenna for wireless LAN</b>	<ul style="list-style-type: none"> <li>Antennas for wireless communication (2EA)</li> </ul>
<b>E Status indicator</b>	<ul style="list-style-type: none"> <li>Detector status indicator                             <ul style="list-style-type: none"> <li><b>DATA LED</b> (Blue): Indicates communication and transmission</li> <li><b>ACTIVE LED</b> (Orange): Indicates ready to work</li> <li><b>POWER LED</b> (Green): Indicates power On/Off status</li> </ul> </li> </ul>
<b>F Power button</b>	<ul style="list-style-type: none"> <li>Detector power button</li> </ul>
<b>G AP ON /OFF Button</b>	<ul style="list-style-type: none"> <li></li> </ul>

### 2.3.4 Deco Sheet



Indication Info.	Description
A	Wireless communication logo
B	Status indication logo
C	Indicating image starting point
D	Indicating center of the detector
E	Vieworks logo
F	Certification logo



- Image starting point (0.0) of this detector is located nearby the tether interface connector. You can change the displayed direction of an image from the **VIVIX Setup** program, but it does not mean that the starting point and direction of the original image are changed.

### 2.3.5 Wireless Communication

Item	Specifications
Wireless standard	IEEE802.11n
Frequency range	2.412 ~ 2.472GHz (13 Channels)
	5.18 ~ 5.24GHz (4 Channels)
	5.745 ~ 5.805GHz (4 Channels)
Data transmission rate	802.11n: Max. 300Mbps (MIMO 2X2)
Modulation	BPSK, QPSK, 16-QAM, 64-QAM
Transmission power	Max. 17dBm
Security	WPA2-PSK
Antenna	Dual Band Antennas (2EA, inbuilt)



- The specification of detector and SCU are same, but their location of antennas is different.

### 2.3.6 Use Environment

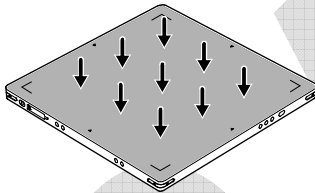
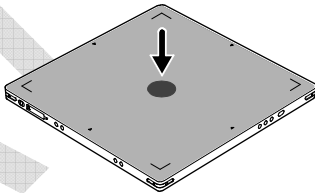
Item	Operation	Storage & Transportation
Temperature	+10 ~ +35°C	-15 ~ +55°C
Humidity	30 ~ 85% (Non-condensing)	10 ~ 90% (Non-condensing)
Atmospheric pressure	700 ~ 1060 hPa	500 ~ 1060 hPa
Shock	1.6G	20G
Vibration	0.7G	0.7G



- The use environment of detector and **VIVIX SCU** is same.



#### Load Limit of Detector [TBD]

Uniform load	Local load
Over the whole surface	Center diameter 40mm
Max. ?? kg	Max. ?? kg
	



- Do not let the patient or object heavier than load limit be on the detector. Then, detector can be damaged.
- Do not let the patient lie or get on the detector. Internal devices such as a sensor can be seriously damaged even if his/her weight is within the load limit.

## 2.4 VIVIX SCU (VIVIX System Control Unit)

VIVIX SCU synchronizes the image and X-ray signal as locating among the detector, workstation and the X-ray generator. You can use the SCU directly when the power supplies to SCU after connecting it under the VIVIX-S 1012N system environment.



- VIVIX SCU is divided into VIVIX SCU Basic and VIVIX SCU mini depending on its size.

### 2.4.1 Specifications

#### VIVIX SCU Basic

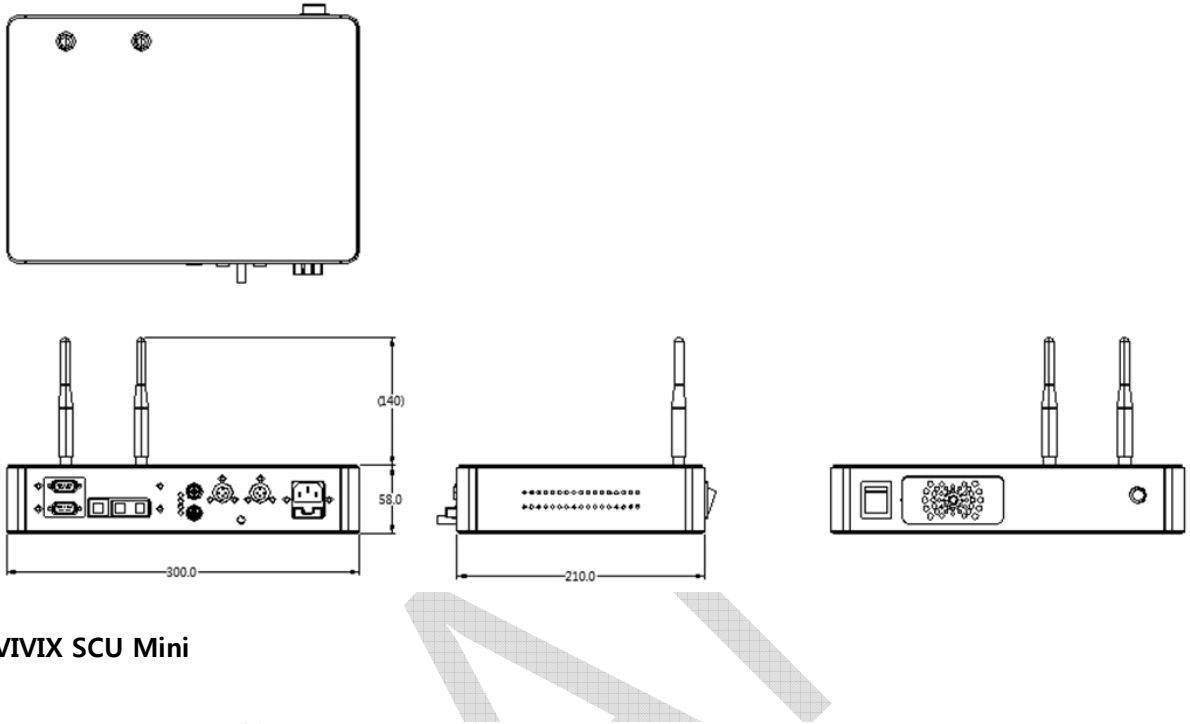
Item	Specifications
Model	<ul style="list-style-type: none"> <li>• FXRS-04B</li> </ul>
Power supply	<ul style="list-style-type: none"> <li>• Input: AC100 to 240V, 50/60Hz, Max. 200VA</li> <li>• Output: DC +24V 3.3A, 80W</li> </ul>
Cable connection port	<ul style="list-style-type: none"> <li>• Gigabit Ethernet port (3EA)</li> <li>• PoE (Power over Ethernet) Port (2EA)</li> </ul>
Wireless communication	<ul style="list-style-type: none"> <li>• IEEE 802.11n (2.4 GHz / 5 GHz)</li> </ul>
Dimension (H × W × D)	<ul style="list-style-type: none"> <li>• 210.0 mm × 300.0 mm × 58.0 mm</li> </ul>
Antenna	<ul style="list-style-type: none"> <li>• 105 mm (2EA, Dual band)</li> </ul>
Weight	<ul style="list-style-type: none"> <li>• 2.8 kg</li> </ul>

#### VIVIX SCU mini

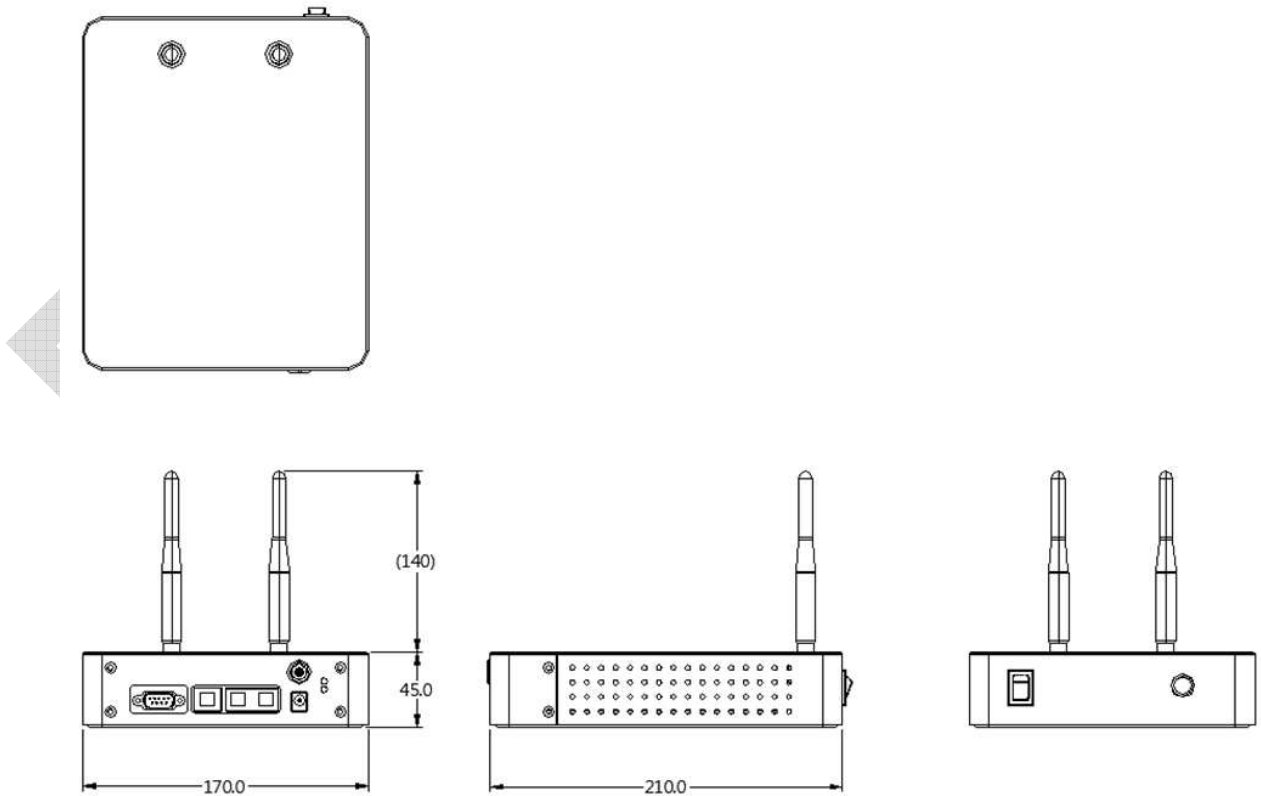
Item	Specifications
Model	<ul style="list-style-type: none"> <li>• FXRS-04A</li> </ul>
Power supply	<ul style="list-style-type: none"> <li>• Input: DC +24V 2A Max</li> </ul>
Cable connection port	<ul style="list-style-type: none"> <li>• Gigabit Ethernet port (3EA)</li> <li>• PoE (Power over Ethernet) Port (1EA)</li> </ul>
Wireless communication	<ul style="list-style-type: none"> <li>• IEEE 802.11n (2.4 GHz / 5 GHz)</li> </ul>
Dimension (H × W × D)	<ul style="list-style-type: none"> <li>• 210.0 mm × 170.0 mm × 45.0 mm</li> </ul>
Antenna	<ul style="list-style-type: none"> <li>• 109 mm (2EA, Dual band)</li> </ul>
Weight	<ul style="list-style-type: none"> <li>• 1.2kg</li> </ul>

### 2.4.2 Drawing Sheet

#### VIVIX SCU Basic

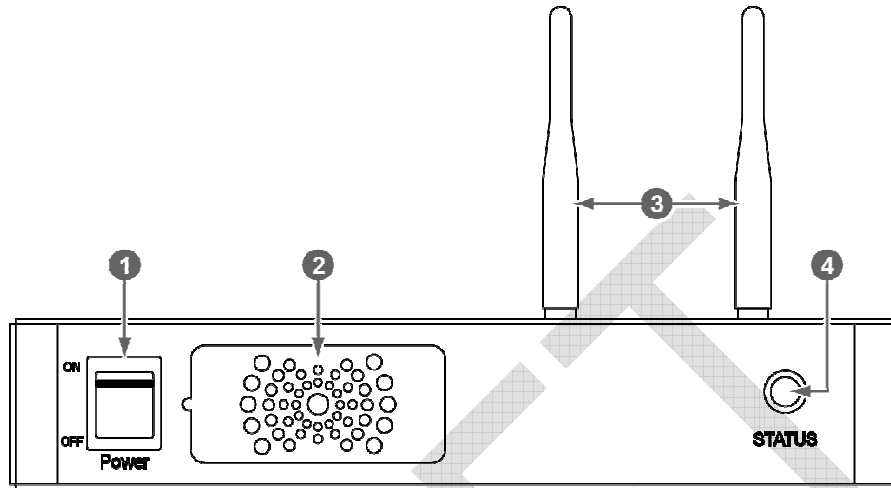


#### VIVIX SCU Mini



### 2.4.3 Function – VIVIX SCU Basic

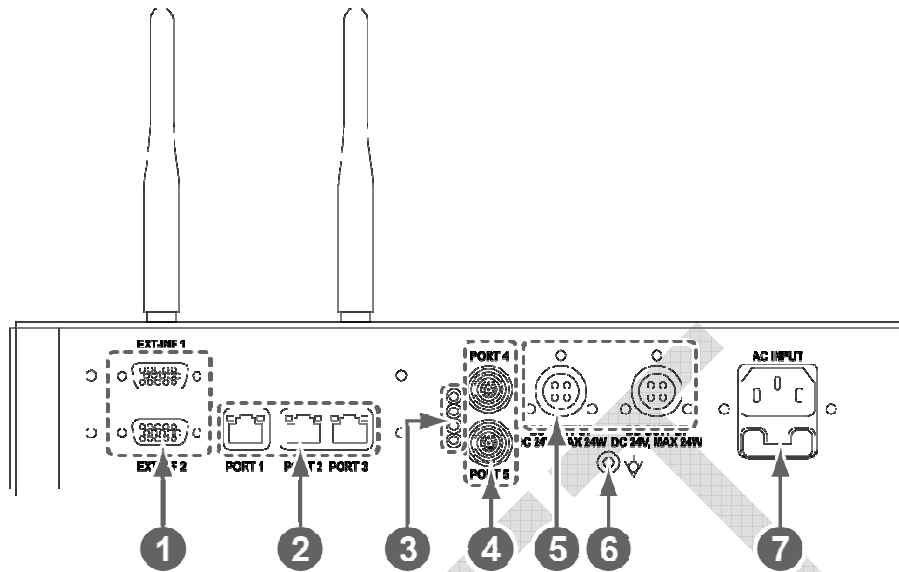
#### Front Side



No.	Name	Description
1	<b>Power switch</b>	Turn on/off the power of <b>VIVIX SCU</b> . (Including Green LED Lamp)
2	<b>Fan</b>	Expels the air inside of <b>VIVIX SCU</b> .
3	<b>Antenna</b>	Assists communications between the detector and <b>VIVIX SCU</b> .
4	<b>Status LED</b>	Indicates the operation and connection status of <b>VIVIX SCU</b> . <ul style="list-style-type: none"> <li>• Blinking green: Booting</li> <li>• Green: Completed to boot up</li> <li>• Blue: The detector is connected and ready to communicate.</li> </ul>



Rear Side



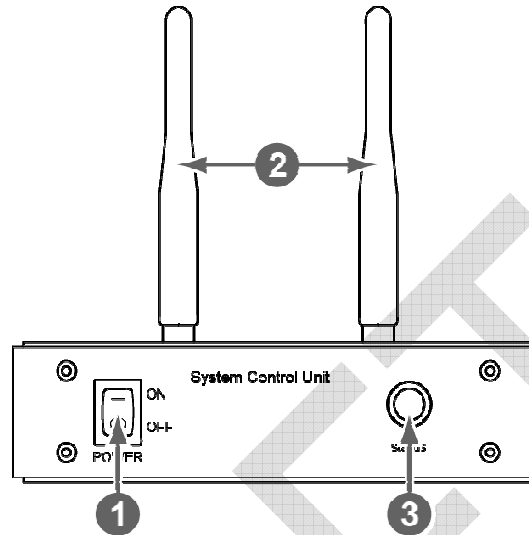
No.	Name	Description
1	EXT_INF1 EXT_INF2	X-ray generator interface connector (D-SUB 15pin x 2 EA, Female) <ul style="list-style-type: none"> <li>• EXT_INF1 : 1 ~ 15</li> <li>• EXT_INF2 : 16 ~ 30</li> </ul>
2	LAN port (Port 1, 2, 3)	Gigabit Ethernet port (1000BASE-T) <ul style="list-style-type: none"> <li>• <b>Port 1</b>: Communication between the workstation and <b>VIVIX SCU</b>.</li> <li>• <b>Port 2, 3</b>: Communication between <b>FXRD-1717S</b> detector and <b>VIVIX SCU</b> when configuring multiple detectors.</li> </ul>
3	PoE status lamp	Indicates the status of <b>PoE</b> port (Port 4, Port 5) <ul style="list-style-type: none"> <li>• Green: 1 Gbps</li> <li>• Orange: 100 Mbps</li> </ul>
4	PoE port (Port 4, 5)	<b>PoE</b> (Power over Ethernet) port (1000BASE-T) <ul style="list-style-type: none"> <li>• Communication between the detector and <b>VIVIX SCU</b>.</li> <li>• Supplies power to the detector.</li> </ul>
5	Detector power supply port	Max. DC +24V/24W (2 ports) <ul style="list-style-type: none"> <li>• For <b>FXRD-1717S</b> detector only.</li> </ul>
6	P.E	Equipotential ground
7	AC input port	T2AL250V fuse (2 EA) <ul style="list-style-type: none"> <li>• 100 ~ 240V</li> <li>• 50/60Hz</li> <li>• Supplies power to <b>VIVIX SCU</b>.</li> </ul>



• The P.E (Potential Equalization) port of **VIVIX SCU** is used to maintain potential equalization between **VIVIX SCU** and another grounded system. Use the conductor that can be detached without the use of a tool.

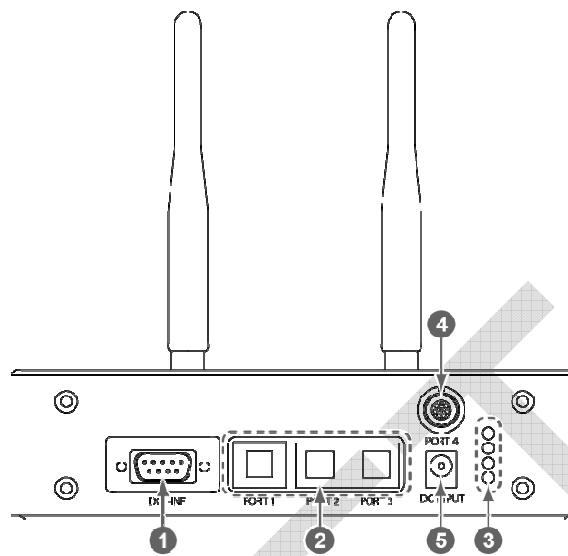
### 2.4.4 Function – VIVIX SCU Mini

#### Front Side



No.	Name	Description
1	<b>Power switch</b>	Turn on/off the power of <b>VIVIX SCU</b> . (Including Green LED Lamp)
2	<b>Antenna</b>	Assists communications between the detector and <b>VIVIX SCU</b> .
3	<b>Status LED</b>	Indicates status of <b>VIVIX SCU</b> operation and connection. <ul style="list-style-type: none"> <li>• Blinking green: Booting</li> <li>• Green: Completed to boot up</li> <li>• Blue: The detector is connected and ready to communicate.</li> </ul>

## Rear Side



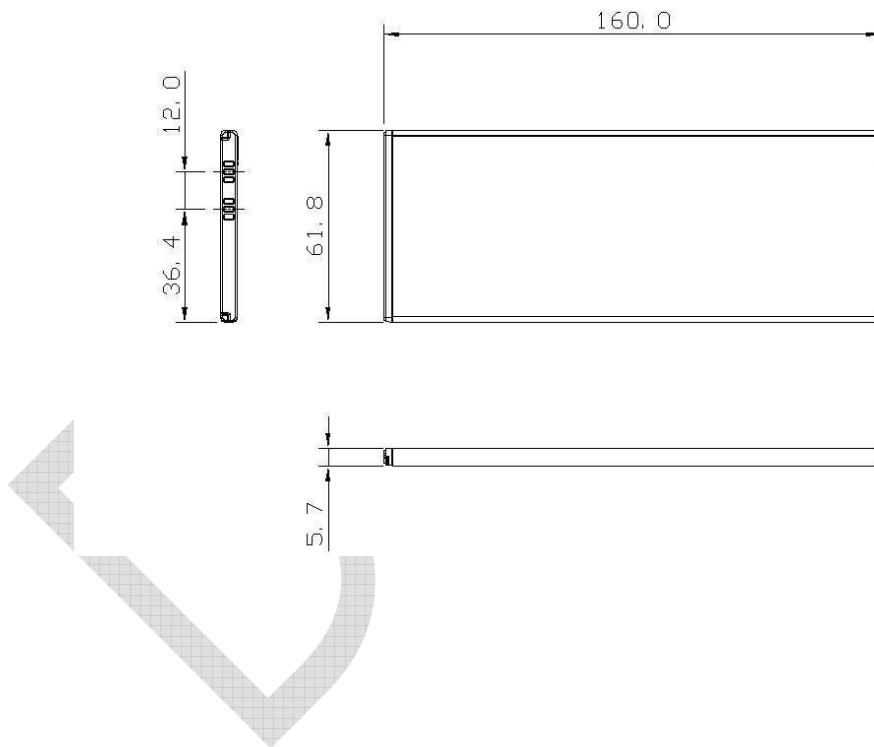
No.	Name	Description
1	EXT_INF	X-ray generator interface connector (D-SUB 15pin, Female)
2	LAN port (Port 1, 2, 3)	Gigabit Ethernet port (1000BASE-T) <ul style="list-style-type: none"> <li>• <b>Port 1:</b> Communication between the workstation and <b>VIVIX SCU</b>.</li> <li>• <b>Port 2, 3:</b> Communication between <b>FXRD-1717S</b> detector and <b>VIVIX SCU</b> when configuring multiple detectors.</li> </ul>
3	PoE status lamp	Indicats the status of <b>PoE</b> port. <ul style="list-style-type: none"> <li>• Green: 1 Gbps</li> <li>• Orange: 100 Mbps</li> </ul>
4	PoE port	<b>PoE</b> (Power over Ethernet) port (1000BASE-T) <ul style="list-style-type: none"> <li>• Communication between the detector and <b>VIVIX SCU</b>.</li> <li>• Supplies power to the detector.</li> </ul>
5	DC power input port	DC +24V <ul style="list-style-type: none"> <li>• Supplies power to <b>VIVIX SCU</b></li> </ul>

## 2.5 Battery Pack

### 2.5.1 Specifications

Item	Specifications
Model	FXRB-03A
Type	Lithium Ion
Rated Power Supply	Output: DC +7.6V
Capacity	3,100mAh
Number of cell	2S1P (2 Series 1 Parallel)
Life	Approx. 500 times (Fully charged/Discharged completely, 1cycle)
Dimension (H × W × D)	160.0 mm × 61.8 mm × 5.7 mm
Weight	114g

### 2.5.2 Drawing Sheet

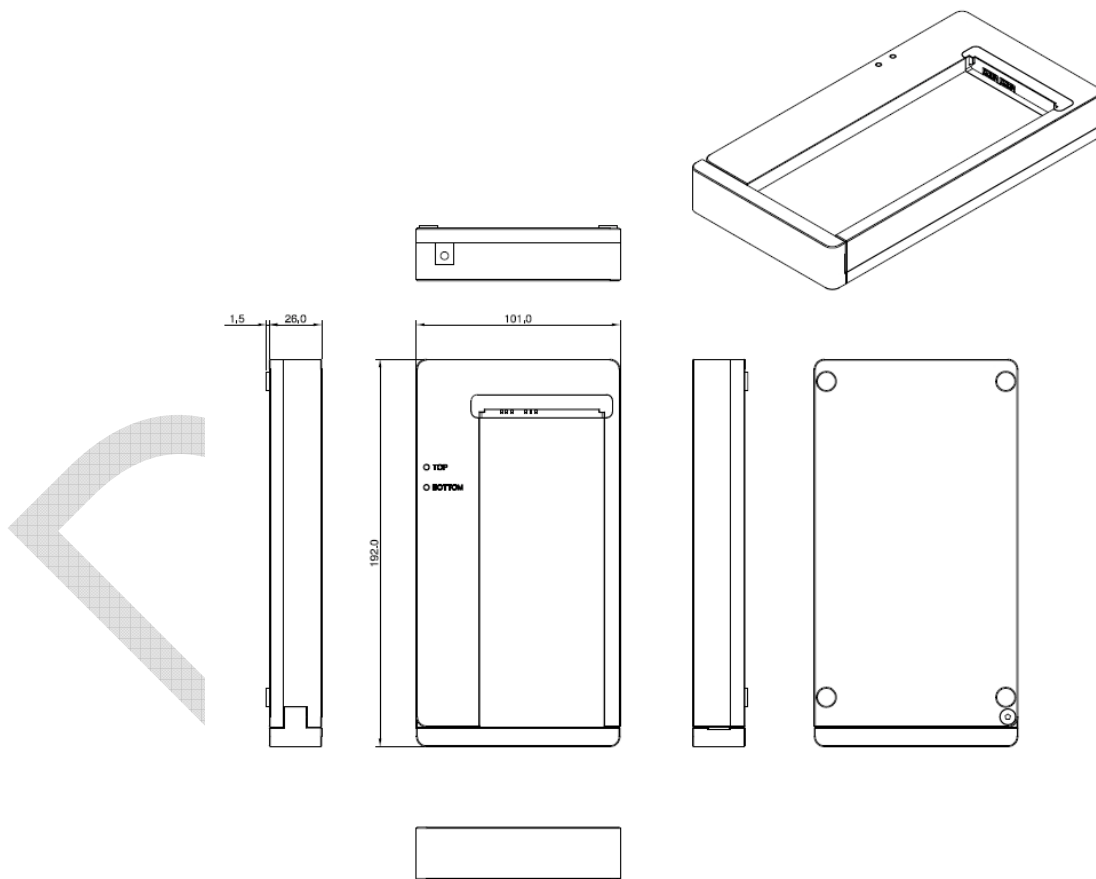


## 2.6 Battery Charger

### 2.6.1 Specifications

Item	Specifications
Model	FXRC-02A
Simultaneous Charging	2 battery packs
Charging time	2 hours
Rated power supply	DC +24V, 2A Max.
Dimension (H × W × D)	192.0 mm × 101.0 mm × 27.5 mm
Weight	0.8 kg

### 2.6.2 Drawing Sheet



No.	Name	Description
1	Lock button	Fixes a battery while it is in charging.
2	Power input port	Supplies electric power by connecting a power adapter to the battery charger.



## 2.7 Others [TBD]

### 2.7.1 X-ray Generator (Recommended Exposure Condition)

Item	Recommended condition
X-ray energy range	• 40kVp ~ 150kVp
Reliability (Lifetime Dose)	• 74Gy or higher (35 uGy x 365days x 24hrs x 60min. x 60sec. / 15sec.)

### 2.7.2 Recommended Specification of Workstation (PC)

Item	Recommended specification
Operating System	<ul style="list-style-type: none"> <li>• VIVIX Setup               <ul style="list-style-type: none"> <li>▫ Microsoft Windows 7 (32bit / 64bit)</li> <li>▫ Microsoft Windows 7 64bit SP1 (Professional Edition or higher)</li> <li>▫ Microsoft Windows Vista Service pack 1 or higher (32bit / 64bit)</li> <li>▫ Microsoft Windows 8 (32bit / 64bit) / 8.1 64bit SP1 (Professional Edition or higher)</li> <li>▫ Microsoft Windows 8.2 (32bit / 64bit)</li> </ul> </li> </ul>
CPU	• Intel Core i5 2600 or higher (or compatible CPU)
Memory	• 4GB or higher
Hard Disk	• 1TB or higher
LAN Card (only for detector communication)	<ul style="list-style-type: none"> <li>• Gigabit (for detector only)</li> <li>• Intel® PRO 1000 Series (Gigabit LAN Card for network interface)</li> <li>• Min.requiremetns               <ul style="list-style-type: none"> <li>▫ Speed: 1Gbps or more</li> <li>▫ Jumbo Frames: 9K</li> </ul> </li> <li>• Receive Descriptors: 2K (1024 or higher)</li> </ul>
Monitor	• 1024 x 768 or more
CD-ROM	• CD or DVD R/W

### 2.7.3 Recommended Specification of Grid

Item	Recommended specification
SID	• 100cm / 130cm / 150cm / 180cm
Size	• 451mm x 365mm x 1.5mm
Ratio	• 8.1 / 10:1 / 12:1
Frequency	• 215 line/inch
INTER SPACER	• AL



- Check the recommended specifications by Vieworks first before buying the generator, workstation and grid.

DRAFT

---

## 3. System Configuration

---

This section gives information about the various connection / configuration ways among the detector, VIVIX SCU, workstation and X-ray generator.

You can figure out the most suitable way of system configuration through this instruction.

Detector Connection Methods

Diagram

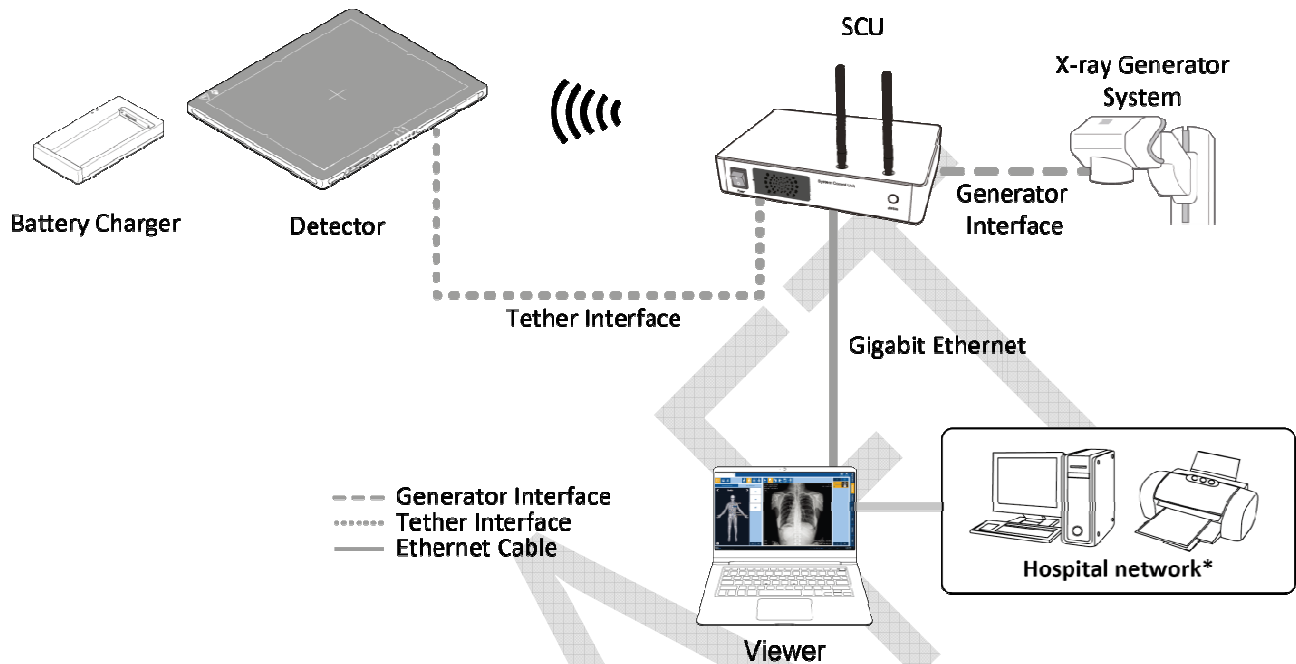
System Configuration

Generator Interface



### 3.1 Detector Connection Methods

You can organize wired or wireless connection between the **VIVIX-S 1012N** detector and **VIVIX SCU**. You can also choose other connection ways suitable for the use environment in case of need.



#### 3.1.1 Wireless Connection

- The images and data are transmitted between the **VIVIX-S 1012N** detector and **VIVIX SCU** by wireless connection.
  - A battery pack should be installed in the detector to use it under the wireless configuration.



- We recommend you to use the wireless connection method for the following cases.
  - When using the unfixed detector.
  - When the wired communication is in trouble by the interruption of cables.
- The wireless connection is more freely to operate than the wired connection.
- Use the wireless connection with a laptop computer to enhance mobility.



- Be sure to operate the wireless communication between the detector and **VIVIX SCU** within a maximum of **8m**.
- Use of multiple WLAN devices within the same frequency band may interfere with each wireless communication and cause a decline in transmission speed.
- Do not cover or block the wireless module of the detector. Also, do not put any shielding materials between the detector and **VIVIX SCU**. Otherwise, the transmission speed or operable distance may be reduced.

### 3.1.2 Wired Connection

- Connect **ViVIX-S 1012N** detector and **VIVIX SCU** with a tether interface cable to make a wired configuration.
  - As the tether interface cable supplies power to the detector, a battery pack is not needed to be installed in the detector.



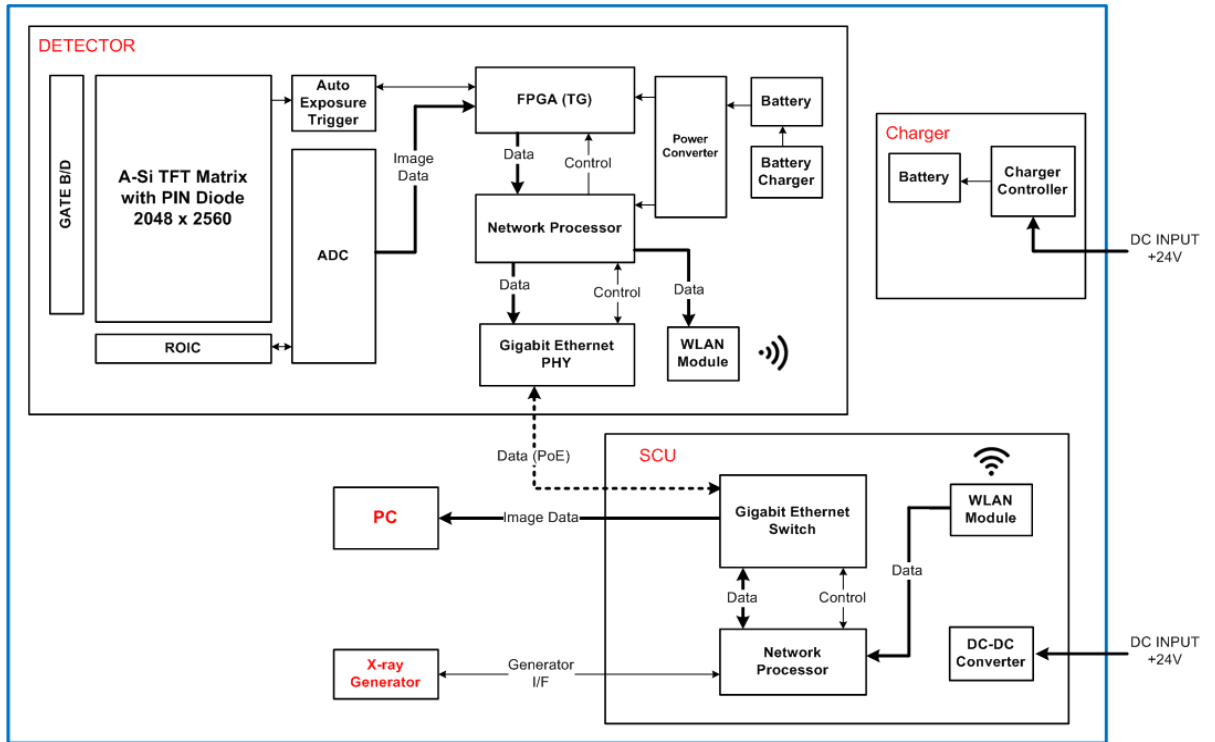
- We recommend you the wired connection method for the following cases.
  - When continuous power supply to the detector is needed.
  - When the detector is fixed in a bucky stand or on a table.
  - When you upgrade the detector firmware or change the inner configural information.
  - When you need the data communication to be faster than the wireless connection.
- A battery pack in the detector keeps charging under the wired connection.
- The wireless communication module of the detector maintains inactivation status.

DRAFT

### 3.2 Diagram

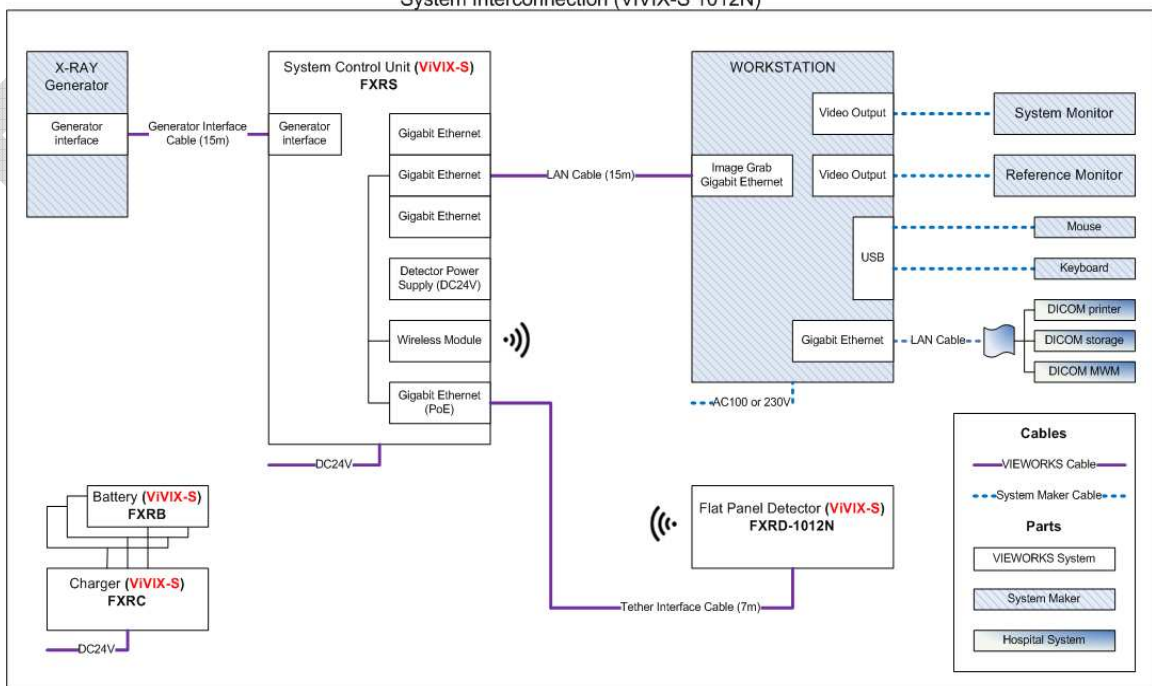
#### 3.2.1 Block Diagram

***Vivix-S 1012N Block Diagram***



#### 3.2.2 Wiring Diagram

System Interconnection (Vivix-S 1012N)

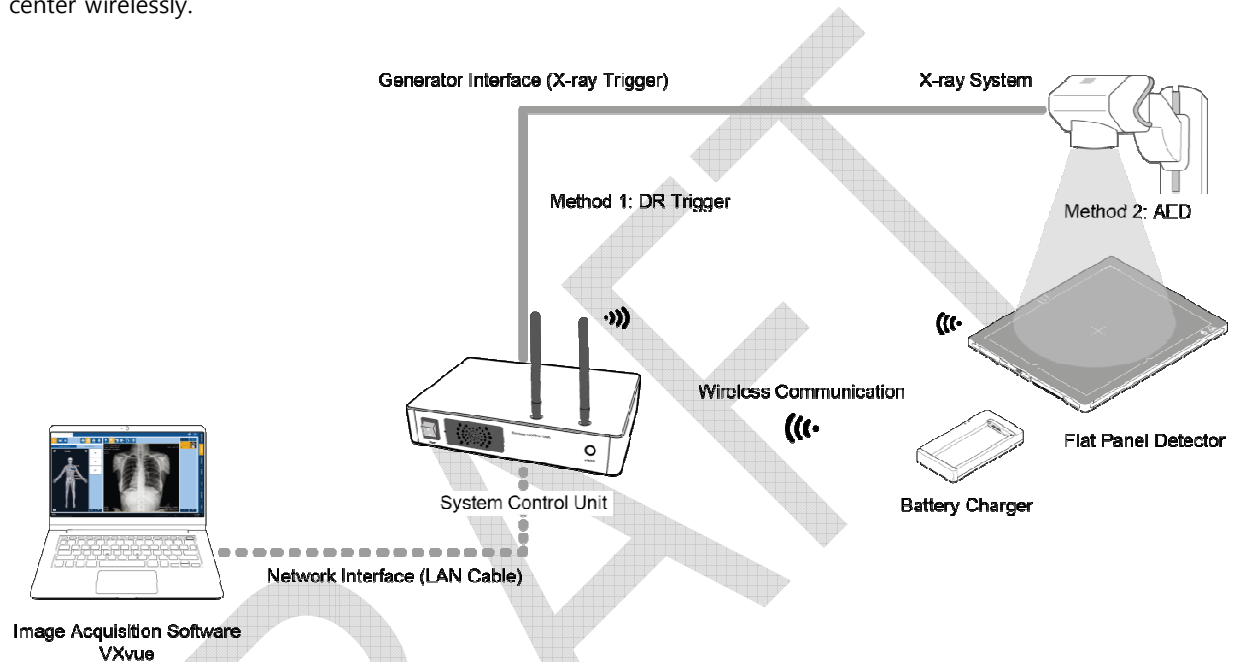


### 3.3 System Configuration

This section gives information about the configuration modes of **VIVIX-S 1012N** detector, **VIVIX SCU**, workstation and the generator.

#### 3.3.1 AP Mode (SCU AP Mode)

SCU AP mode is the wireless connection method that connecting the detector with **VIVIX SCU** as the center wirelessly.



#### VIVIX SCU & Detector

- The **VIVIX-S 1012N** detector and **VIVIX SCU** are connected wirelessly. In this case, **VIVIX SCU** and the detector operate as **AP** (Access Point) and **STATION** respectively.

#### VIVIX SCU & PC (Workstation)

- VIVIX SCU** and PC (Workstation) are connected with the LAN cable.



- It is available to connect **VIVIX SCU** and PC wirelessly. In this case, **VIVIX SCU** and the detector operate as **AP** (Access Point) and **STATION** respectively.

#### VIVIX SCU & Generator

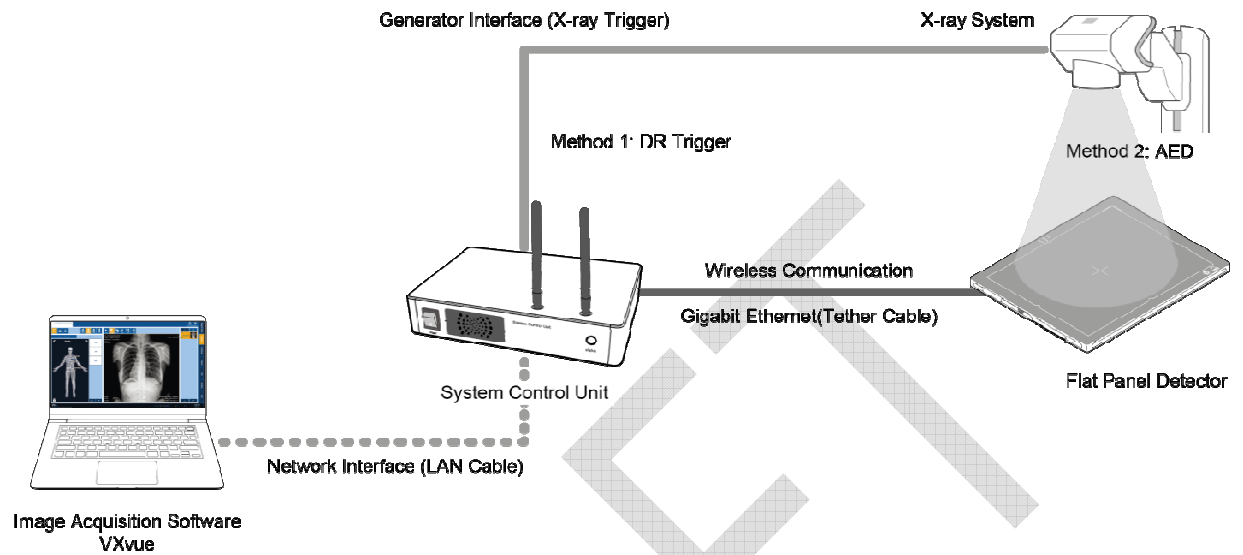
- VIVIX SCU** and the generator can be connected with the generator interface cable.



- It is unnecessary to connect **VIVIX SCU** and the generator with a generator interface cable if you use AED mode of the detector.

### 3.3.2 Tether Interface Mode

Tether interface mode is the wired connection method that connecting the detector with **VIVIX SCU** as the center.



#### VIVIX SCU & Detector

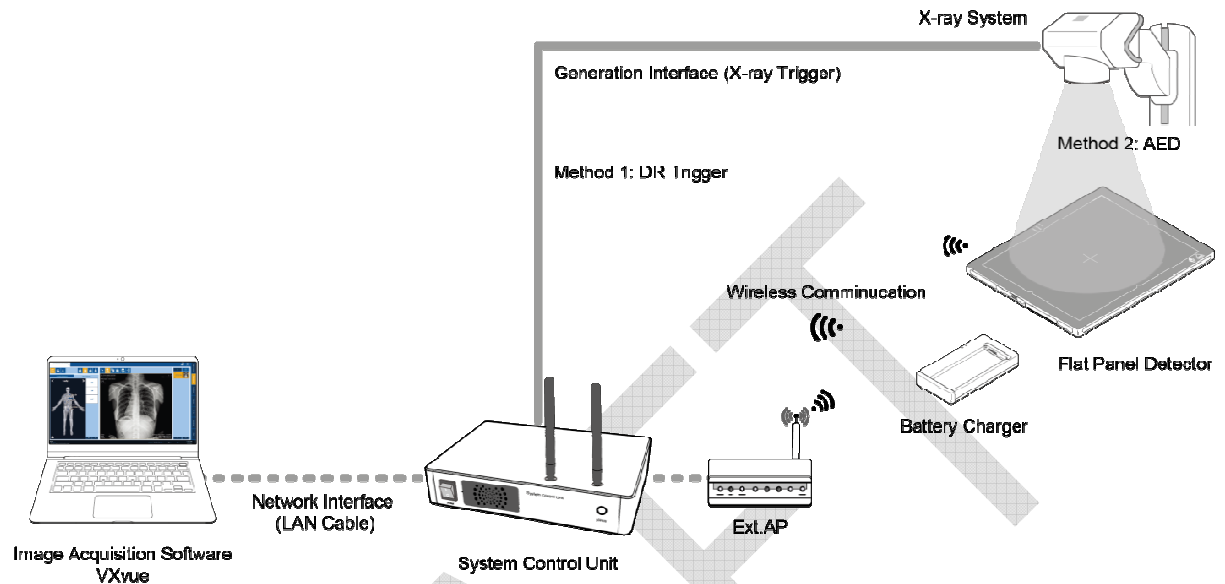
- **VIVIX SCU** and the **VIVIX-S 1012N** detector are connected with the tether interface cable.



- Other connection ways of the tether interface mode are the same as the AP mode.

### 3.3.3 External AP Mode

External AP mode is the wireless connection method that adding the external AP device instead of **VIVIX SCU**.



#### External AP & VIVIX SCU

- The external AP and **VIVIX SCU** are connected with a LAN cable.

#### External AP & Detector

- The external AP and **VIVIX-S 1012N** detector are connected wirelessly. In this case, the external AP and the detector operate as **AP** (Access Point) and **STATION** respectively.



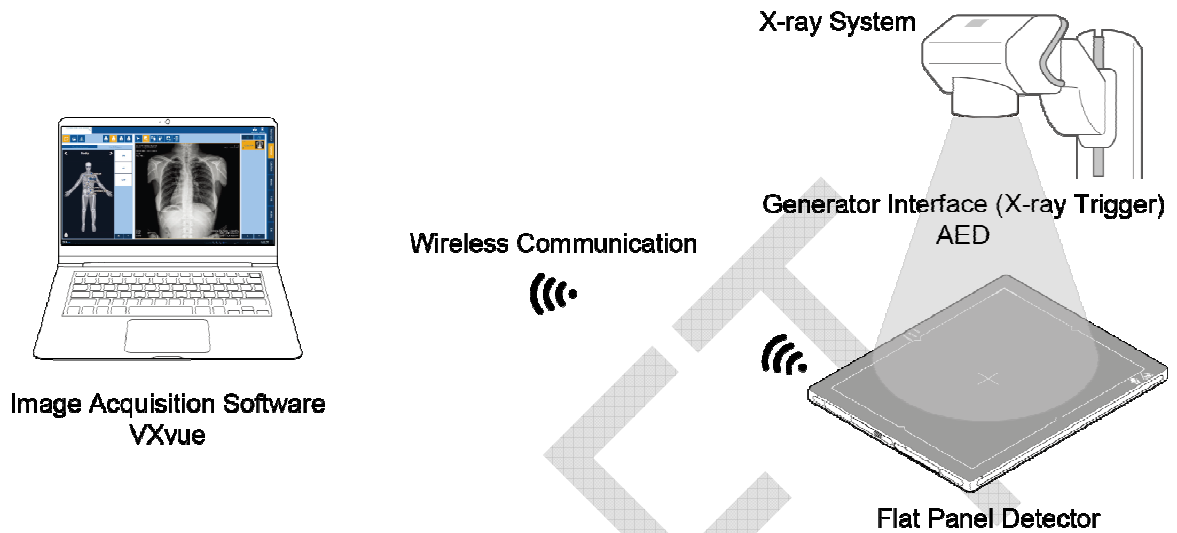
- Other connection ways of the tether interface mode are the same as the AP mode.



- Be sure to check the specifications of external AP device when configuring the external AP mode, since the wireless communication performance can be different by the specifications.

### 3.3.4 Detector AP Mode

Detector AP mode is the wireless connection method that connecting the PC (Workstation) with the detector as the center wirelessly.



#### Detector & PC (Workstation)

- The **VIVIX-S 1012N** detector and PC are connected wirelessly. In this case, the detector and the PC operate as **AP** (Access Point) and **STATION** respectively.



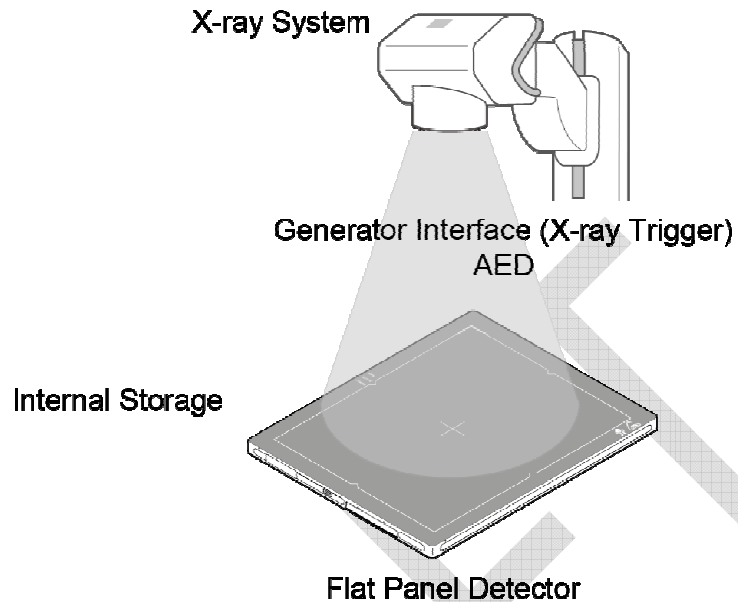
- Since **VIVIX SCU** is not used for configuring the detector AP mode, you can only use the **AED** mode without a wired connection. (Cannot use the **DR Trigger** mode.)
- This mode can be used when mobility and portability are needed.



- When configuring the detector AP mode, be sure to check the specifications of wireless module installed in the PC. The wireless communication performance can be different depending on the specifications of the wireless module.
- If the wireless connection cannot be made normally because of unexpected problems, **VIVIX SCU** can be needed to check the detector condition.

### 3.3.5 Detector Stand-Alone Mode

You can use the **Stand-Alone** mode without making a wired or wireless connection.



- You should take images with the **AED** mode only when using the **Stand-Alone** mode. (Cannot use the **DR Trigger** mode.)
- The acquired images are stored in the internal storage of the detector in order and the images can be transmitted to the PC after connecting the detector to the PC.
- The transmitted images are removed automatically from the detector.



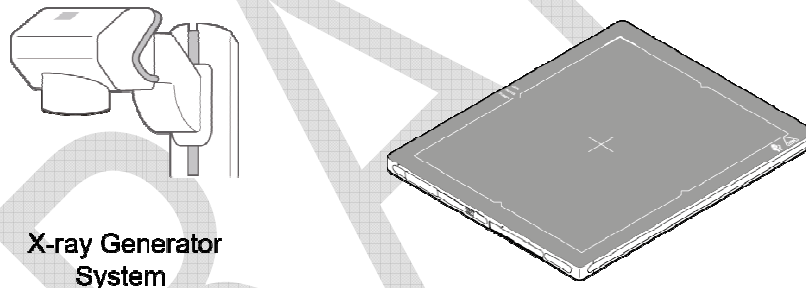
### 3.4 Generator Interface Mode

VIVIX-S 1012N detector provides **DR Trigger** mode and **AED** mode as a generator interface way to acquire images by detecting X-ray.

Mode	Description
AED	The detector detects X-ray exposure from the generator automatically and then performs image acquisition without any cable connection.
DR Trigger	The detector and generator receive and send their signal to each other for image acquisition. <b>VIVIX SCU</b> and X-ray generator should be connected with the generator interface cable.

#### 3.4.1 AED (Auto Exposure Detection) Interface Mode

If the **VIVIX-S 1012N** detector is used as the **AED** mode, you can acquire images without connecting the generator to the detector with a generator interface cable.



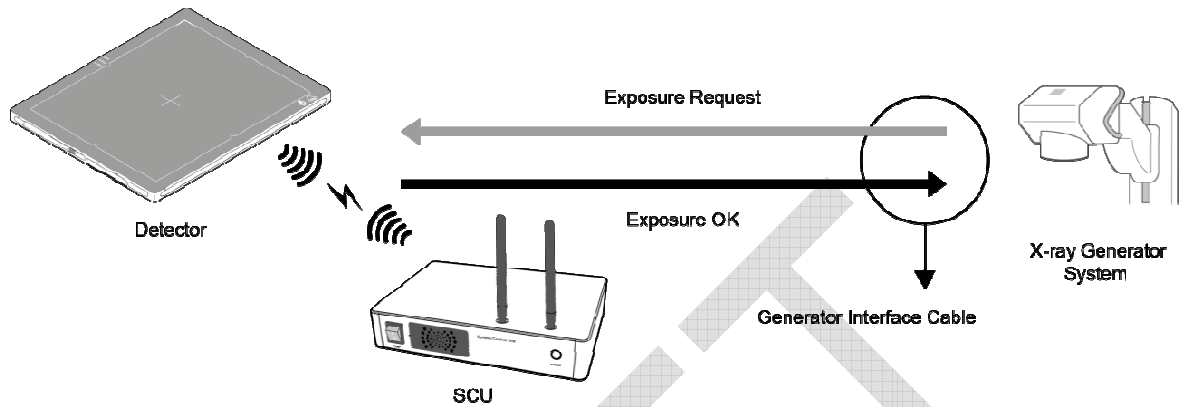
#### Cautions when using AED interface mode



- Make sure to follow the operating environmental condition (Temp: +10°C ~ +35°C).
- Do not give impact to the product. If it receives strong jolt, unwanted images may be acquired without the X-ray exposure because of the malfunction of the **AED** sensor.
- You may not acquire images or horizontal artifacts may occur depending on the external environment such as exposure condition, thickness of object or the use of grid.
- When you set X-ray exposure area to the direction of the detector, the center of the detector should be involved in the X-ray exposure area. Otherwise, you may not acquire an image.

### 3.4.2 DR Trigger Interface Mode

Connect the detector and X-ray generator with a generator interface cable, and then acquire images by sending and receiving their signal.



#### Signal Processing Steps

- 1 The detector receives **EXP\_REQ** signal from the X-ray generator.
- 2 After the detector completes to prepare image acquisition, it sends the **EXP\_OK** signal to the X-ray generator.
- 3 The X-ray generator confirms **EXP\_OK** signal and generates X-rays.
- 4 The detector acquires images and then transmits the image data.



- **EXP\_REQ** is a sending signal from X-ray generator to the detector for requesting exposure.
- **EXP\_OK** is an exposure ready signal from the detector to X-ray generator.

### 3.5 Configuring DR Trigger Interface Mode

To configure the **DR Trigger** interface mode, **VIVIX SCU** and the generator should be connected with a generator interface cable. Connect the one end of generator interface cable to **EXT\_INF** port of **VIVIX SCU**, and then connect the other end to the generator.



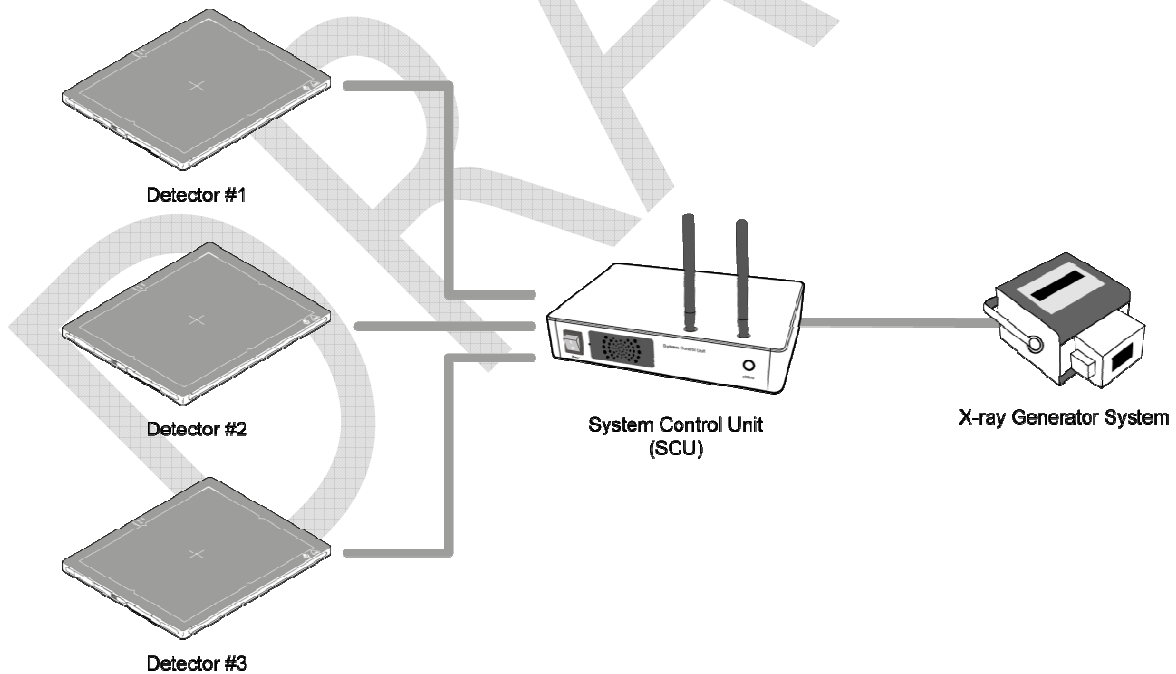
- Up to three generators can be connected with **VIVIX SCU Basic**.
- Only one generator can be connected with **VIVIX SCU mini**.

#### 3.5.1 Trigger Interface Way

The generator interface cable is connected differently depending on the Trigger interface ways.

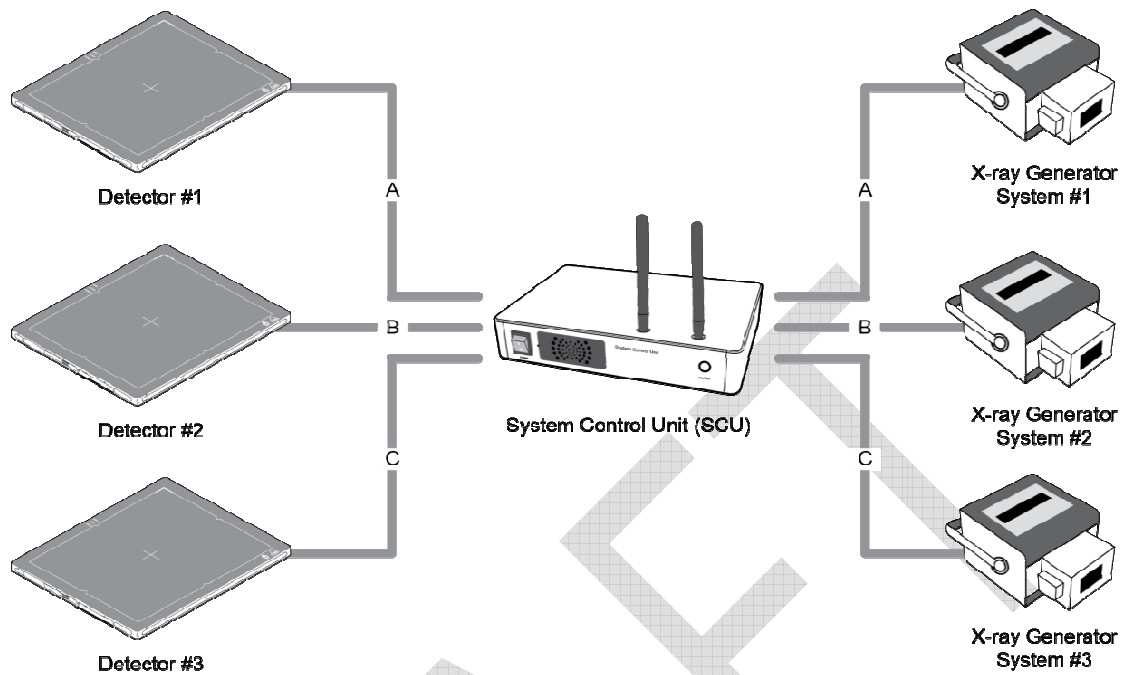
Trigger Interface	Description
Packet Trigger	Handles exposure signal by exchanging packet.
Line Trigger	Handles exposure signal by exchanging electrical signal.

#### 3.5.2 Packet Trigger



- Multiple detectors share one generator signal together.
- Connect a generator interface cable to one of the pin groups.
- The generator transmits and receives signal with the one selected detector for taking images.

### 3.5.3 Line Trigger



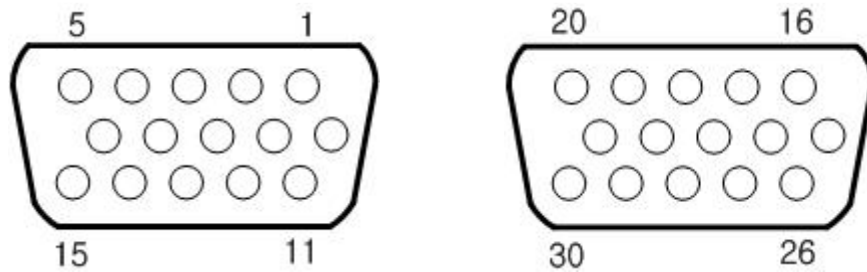
- Each detector shares a signal signal by being connected with generators separately.
- Up to three X-ray generators can be connected to SCU.
- The connection of each detector and generator can be configured from **VIVIX Setup**.



- You should comprehend about a detector and X-ray generator to make correct exposure. Otherwise, X-ray can be exposed to the detector in different location.
- The engineer who understand the generator device and interface technology should be in charge of interface work between **VIVIX SCU** and the generator.

### 3.5.4 EXT\_INF Port Pin Map

EXT\_INF port is D-SUB 15 pin female connectors of **VIVIX SCU**, and used for the generator interface.



#### EXT\_INF1 port pin map definition (1 ~ 15)

No.	Signal name	I/O	Type	Color	Ch.	Description
1	EXP_REQ+_A	Input	Contact	Red	A	Receives EXP_REQ
2	EXP_REQ-_A	Input	Contact	Black	A	Returns signal from EXP_REQ+_A
3	EXP_REQ_TTL_A	Input	TTL	Orange	A	Receives EXP_REQ
4	EXP_REQ_GND_A	Input	TTL	Gray	A	Returns signal from EXP_REQ_TTL_A
5	EXP_OK_POWER_A/B	Input	-	Yellow	A/B	Power of TTL signal
6	EXP_OK+_A	Output	-	Green	A	Sends EXP_OK
7	EXP_OK-_A	Output	-	Brown	A	Returns signal from EXP_OK+_A
8	EXP_OK+_B	Output	-	Blue	B	Sends EXP_OK
9	EXP_OK-_B	Output	-	Pink	B	Returns signal from EXP_OK+_B
10	Reserved	-	-	-	-	Reserved for test only.
11	EXP_REQ+_B	Input	Contact	White	B	Receives EXP_REQ
12	EXP_REQ-_B	Input	Contact	Purple	B	Returns signal from EXP_REQ+_B
13	EXP_REQ_TTL_B	Input	TTL	White/Red	B	Receives EXP_REQ
14	EXP_REQ_GND_B	Input	TTL	White/Black	B	Returns signal from EXP_REQ_TTL_B
15	Reserved	-	-	-	-	Reserved for test only.

#### EXT\_INF2 port pin map definition (16 ~ 30)

No.	Signal name	I/O	Type	Color	Ch.	Description
16	EXP_REQ+_C	Input	Contact	Red	C	Receives EXP_REQ
17	EXP_REQ-_C	Input	Contact	Black	C	Returns signal from EXP_REQ+_C
18	EXP_REQ_TTL_C	Input	TTL	Orange	C	Receives EXP_REQ
19	EXP_REQ_GND_C	Input	TTL	Gray	C	Returns signal from EXP_REQ_TTL_C
20	EXP_OK_POWER_C	Input	-	Yellow	C	Power of TTL signal
21	EXP_OK+_C	Output	-	Green	C	Sends EXP_OK signal
22	EXP_OK-_C	Output	-	Brown	C	Returns signal from EXP_OK+_C
23	EXT_W+	Input	Contact	-	-	User-defined Pin 1

24	EXT_W-	Input	Contact	-	-	Returns signal from EXT_W+
25	EXT_X+	Input	Contact	-	-	User-defined Pin 2
26	EXT_X-	Input	Contact	-	-	Returns signal from EXT_X+
27	EXT_Y+	Input	Contact	-	-	User-defined Pin 3
28	EXT_Y-	Input	Contact	-	-	Returns signal from EXT_Y
29	EXT_Z+	Input	Contact	-	-	User-defined Pin 4
30	EXT_Z-	Input	Contact	-	-	Returns signal from EXT_Z+



- Since **VIVIX SCU mini** has **EXT\_INF 1** port, only one generator can be connected with.



- Up to three X-ray generators can be connected to **EXT\_INF1** and **EXT\_INF2** ports, and each generator should be connected with a same channel.



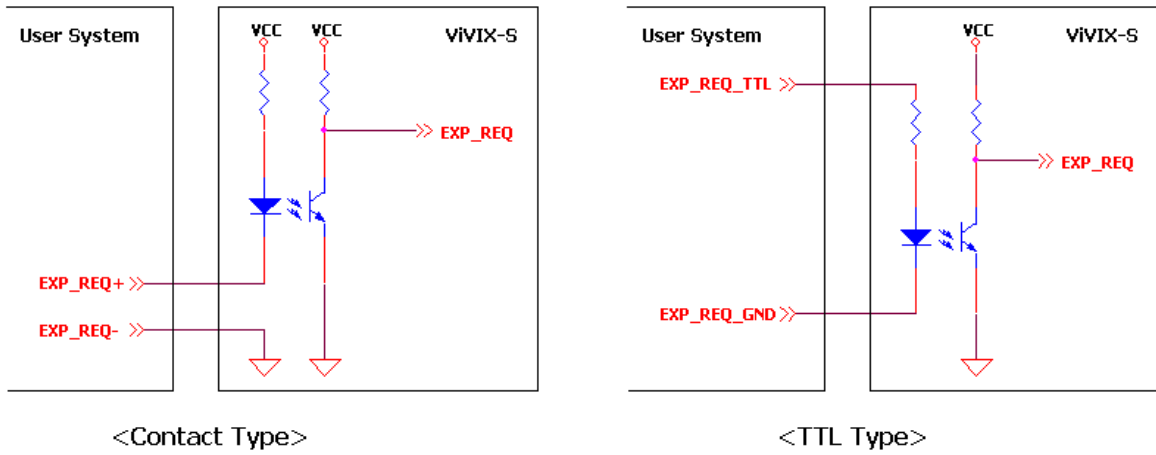
- There are **Contact** type (OPEN/ CLOSE) and **TTL** type (ON/ OFF) on the signal in/output pin.
- TTL type information
  - ON : VCC
  - OFF : GND
  - Current: 5 mA ~ 10 mA
  - Voltage: 12 V ~ 24 V



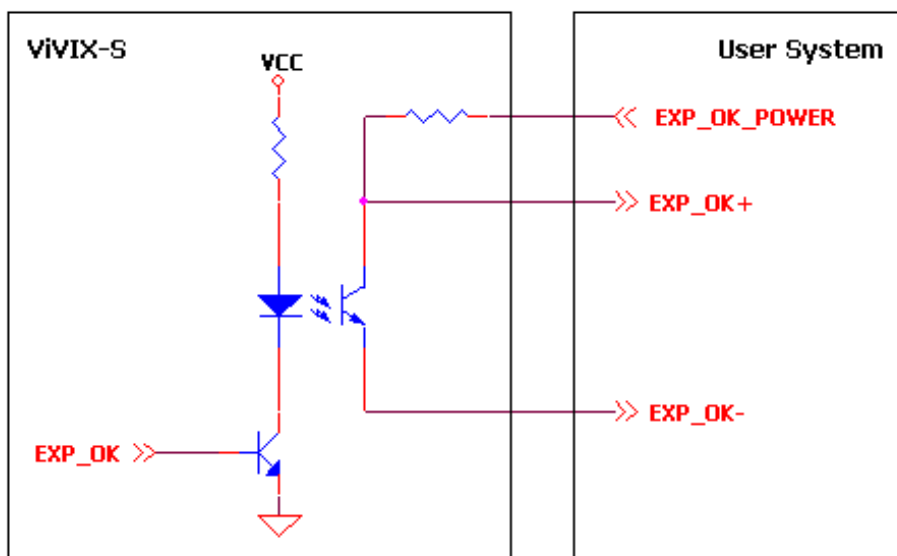
- When you plan to add interface using a user-defined pin, contact to the person in charge of Vieworks.

### 3.5.5 Input / Output Circuit

#### Exposure Request Input Circuit (EXP\_REQ)



#### Exposure Respond Output Circuit (EXP\_OK)



---

## 4. Installation [TBD]

---

This section gives information about the installation process and method to use a detector.

Battery Pack

Product Installation

Generator Connection

Software Installation

Windows Environment Setting

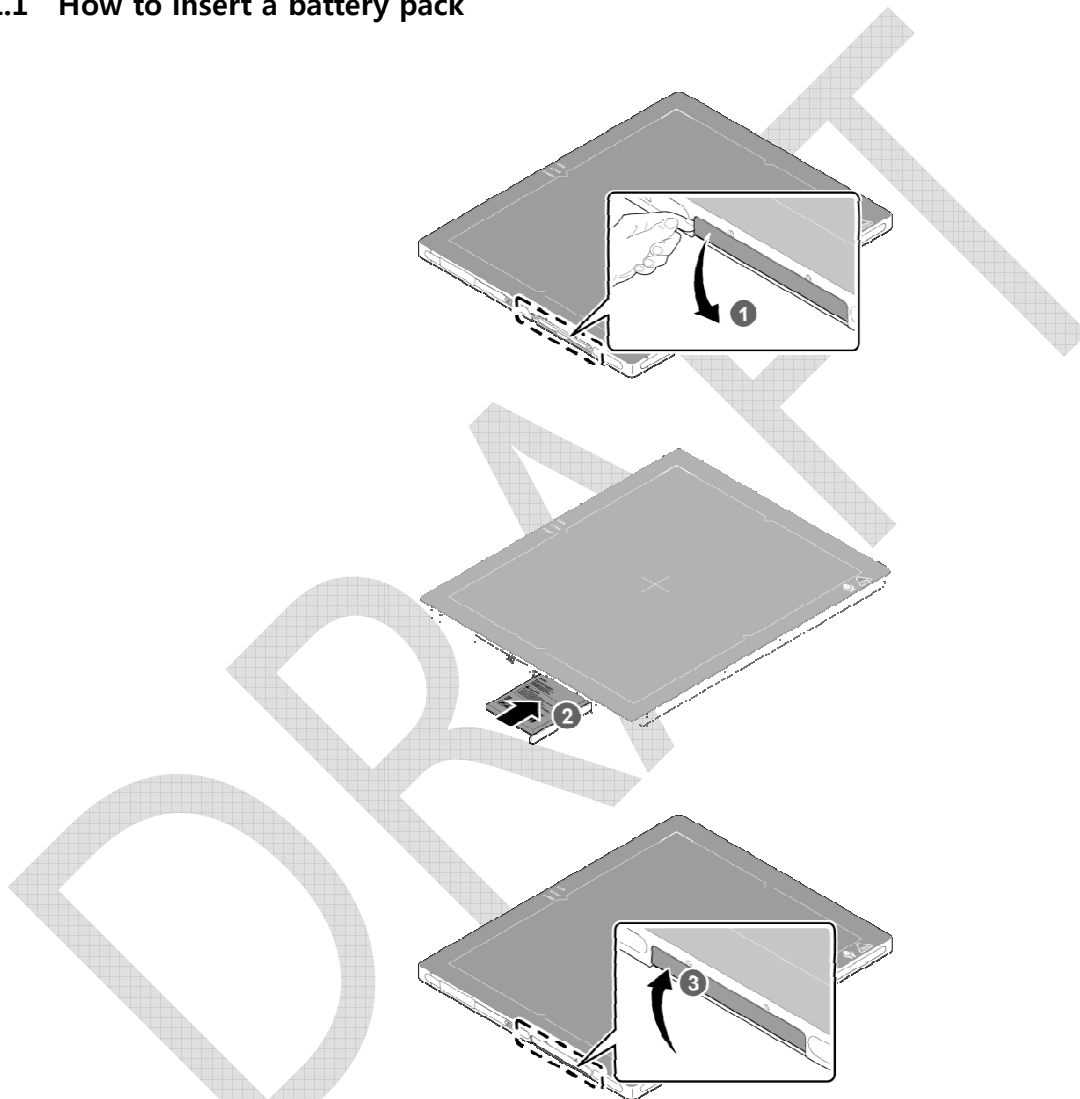


## 4.1 Battery Pack [TBD]



- Detector and its attached devices should be installed by an authorized service engineer.
- If you encounter any problems, consult the sales representative in Vieworks or a relevant engineer.

### 4.1.1 How to insert a battery pack

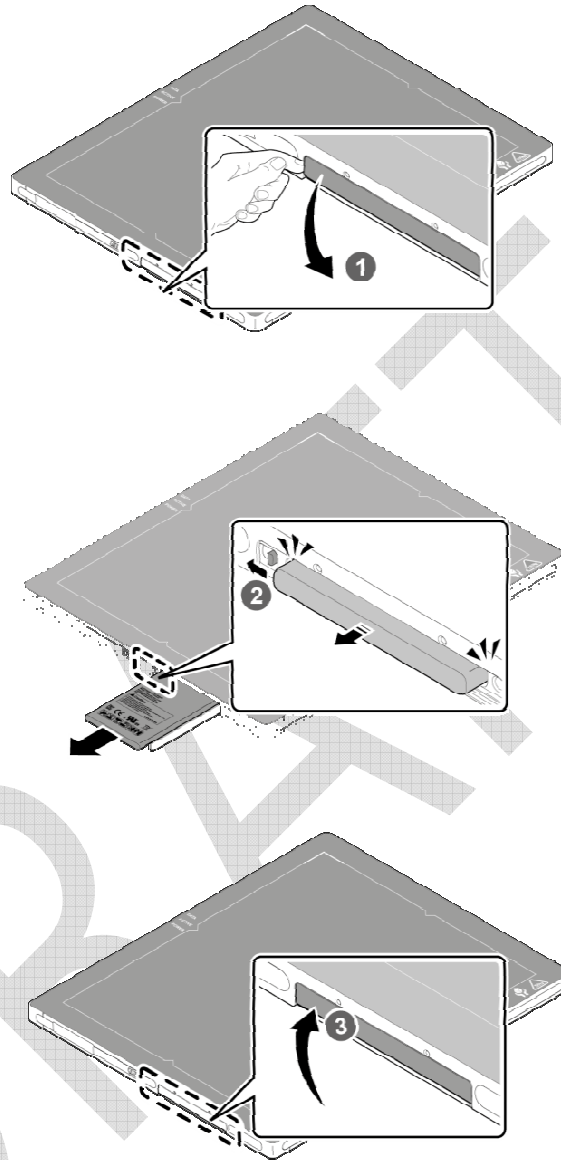


- 1 Open the battery cover.
- 2 Insert a battery into a slot until it clicks and push the lever to the right for fixing the battery.
- 3 Close the battery cover.



- Check if the battery is fully charged before using.
- Make sure that the battery pack is securely inserted.
- The remaining battery can be checked from the battery lamp on the side of detector or from the **VIVIX Setup** program.

#### 4.1.2 How to take out a battery pack



- 1 Open the battery cover.
- 2 Push the lever to the left for taking out the battery.
- 3 Close the battery cover.



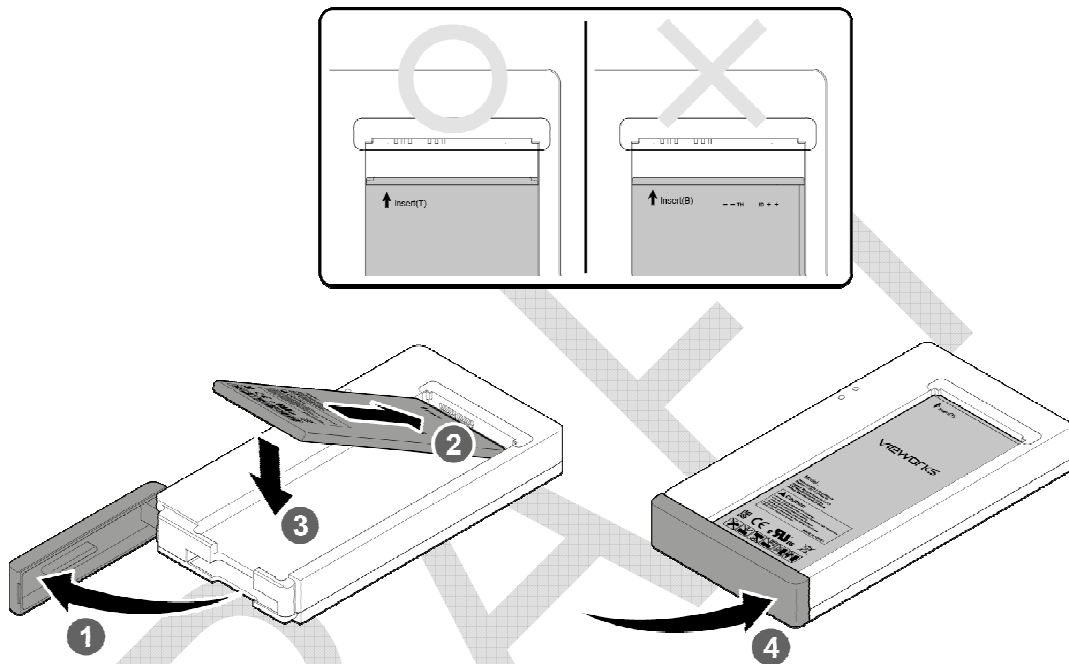
- Make sure to turn off the detector by pressing and hold the power button for 3 seconds before detaching a battery pack. All status LED lamps are off and then the detector is turned off.

### 4.1.3 How to charge a battery pack

The detector is battery-operated when it is connected wirelessly. Charge the battery pack fully before inserting it to the detector.

#### Charging type 1

Supply power to the charger with the power adapter before charging a battery. When the power LED is turned to green, it means that the power is permitted.

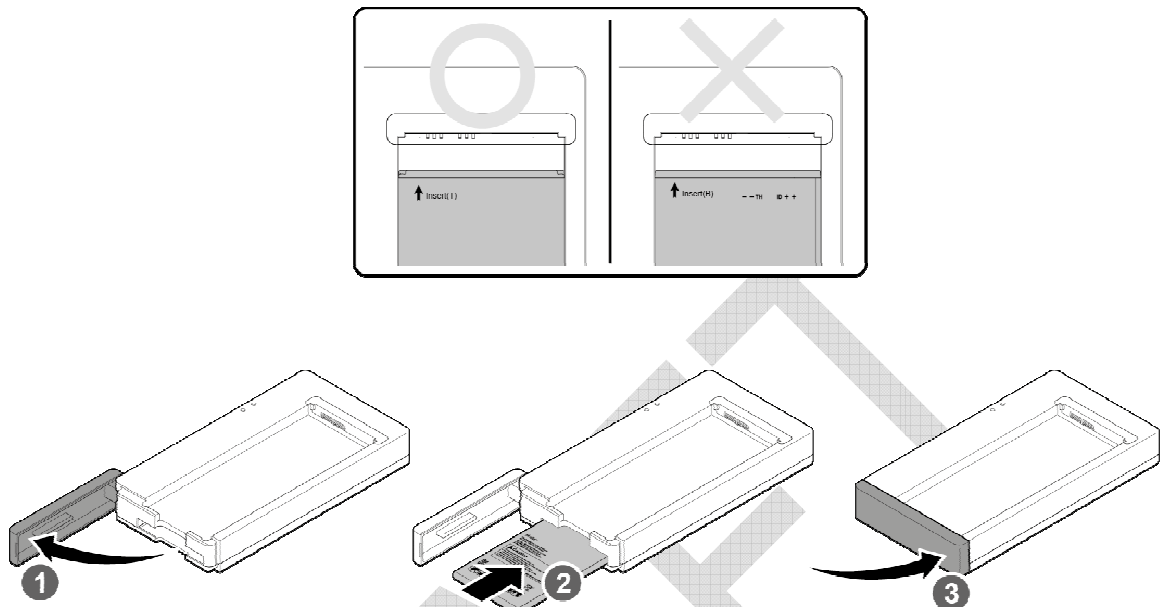


- 1 Open the cover at the lower side of charger.
- 2 Put the battery on the top of charger in the right direction.
- 3 Push the battery down until it is fixed in the charging part.
- 4 Close the cover at the lower side of charger.

	Simultaneous charging	Charging time
<b>Battery charger</b>	2 battery packs	? hrs
<b>Tether interface cable</b>	1 battery pack	? hrs

## Charging type 2

Supply power to the charger with the power adapter before charging a battery. When the power LED is turned to green, it means that the power is permitted.



- 1 Open the cover at the lower side of charger.
- 2 Insert the battery into the slot until it clicks.
- 3 Close the cover at the lower side of charger.



- The charging time can be different depending on temperature and charging status of a battery.
- While charging a battery pack, it is available to use the detector by connecting it with a tether interface cable.



- This detector is designed to make a battery being discharged little by little during the detector is off. Therefore, remove the battery pack when the detector is not used for some time. Otherwise, over discharge may occur resulting in the shortened battery life.
- Do not use the charger around the patient.
- Charge the battery with the charger provided by Vieworks.
- Securely plug the power cord of the charger into the AC outlet. If contact failure occurs, or if dust/metal objects come into contact with the exposed metal prongs of the plug, fire or electric shock may result.
- Stop charging the battery when status LED of the charger turns to green as exceeding the specified charging time. Otherwise, the battery pack is overcharged and it causes smoke. If the battery pack is overheating, it can be exploded and a fire may occur.
- Use only a power adapter complying with IEC 60601-1 or IEC 60950-1.

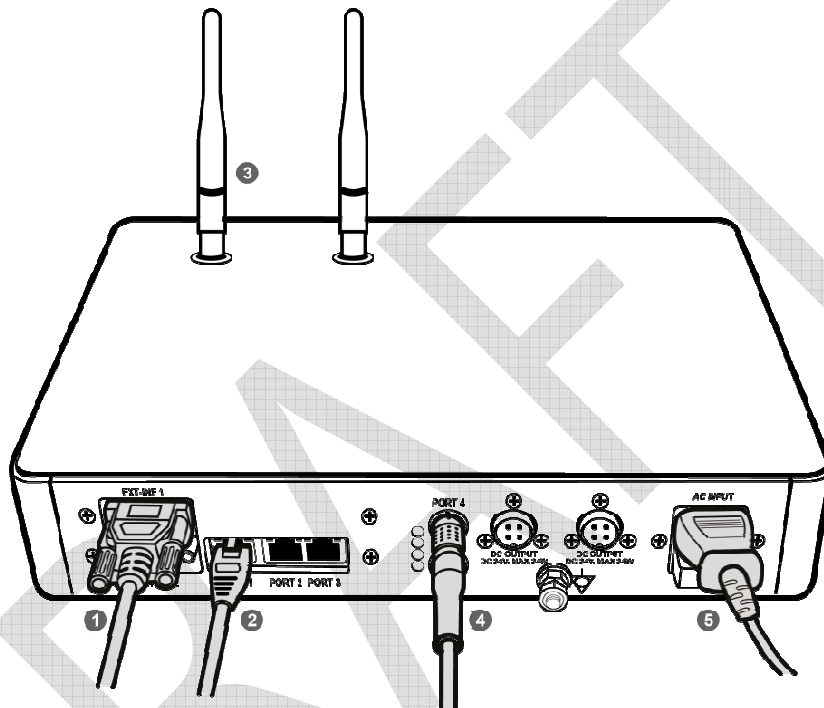
## 4.2 Product Installation

### 4.2.1 Connecting Devices



- Installation of this equipment should be made by licensed and authorized personnel by Vieworks.
- This equipment must only be connected to the power with protective earth.

#### SCU Basic



- 1 If you use the **DR Trigger** mode, connect the one end of generator interface cable to the **EXT\_INF** port of SCU, and the other to the X-ray generator.



- If you use the AED mode, a generator interface cable is not needed as the detector operates by detecting X-ray automatically.

- 2 Connect one end of the LAN cable to one of the LAN ports of SCU, and the other to the LAN Card Connector of workstation assigned for data transfer.
- 3 Stand the antenna of SCU upright.
- 4 To transmit image data using a Tether Interface, connect the one end of the Tether Interface cable to the Port 4 or Port 5 of SCU and the other to the detector.



- If you use the wireless communication method, a tether interface cable is not needed as the image is transmitted wirelessly.

- 5 To supply power, connect the AC power cable to the AC power input port of SCU.