

# VIVIX-S 1417N User Manual



**CE** 2460

© Vieworks. 2017 All rights reserved.

The specifications and related information in this manual may be changed without notice. Refer to Vieworks Download System (VDS) for the latest version of manuals.

Under copyright laws, this manual should not be reproduced, in whole or in part, without the written permission of Vieworks.

## Contents

<b>1. Instruction .....</b>	<b>7</b>
<b>1.1 Document Guide .....</b>	<b>8</b>
1.1.1 Caution .....	8
1.1.2 Target Audience.....	8
1.1.3 Symbols.....	8
1.1.4 Notations.....	8
1.1.5 Contact Department.....	8
<b>1.2 Intended Use.....</b>	<b>9</b>
1.2.1 Features.....	9
<b>1.3 Product Use.....</b>	<b>10</b>
1.3.1 Product Usage.....	10
1.3.2 Disclaimer.....	10
1.3.3 Product Disposal.....	11
1.3.4 Trademarks.....	11
<b>1.4 Safety Instruction.....</b>	<b>12</b>
1.4.1 Management and Authority.....	12
1.4.2 Power Supply.....	12
1.4.3 Handling.....	13
1.4.4 Battery Pack and Charger.....	14
1.4.5 Environment of Use.....	15
1.4.6 Temperature.....	16
1.4.7 Problem Management.....	16
1.4.8 Maintenance and Inspection.....	16
<b>1.5 Product Usage Guide.....</b>	<b>17</b>
1.5.1 Calibration.....	17
1.5.2 Length Measurement.....	17
1.5.3 Left/Right Marker.....	17
1.5.4 Image Backup.....	17
1.5.5 Use Limitations.....	18
1.5.6 Disposal.....	18
1.5.7 Pediatric Application.....	18
1.5.8 Before Exposure.....	18
1.5.9 During Exposure.....	19
1.5.10 Operating and Storage Environment.....	19
1.5.11 Others.....	19
<b>2. Product.....</b>	<b>20</b>

<b>2.1</b>	<b>Product Components.....</b>	<b>21</b>
2.1.1	Detector.....	21
2.1.2	SCU Lite (FXRP-02A).....	21
2.1.3	SCU (System Control Unit).....	22
2.1.4	Battery & Charger.....	23
2.1.5	Accessories.....	24
<b>2.2</b>	<b>VIVIX-S 1417N Detector .....</b>	<b>26</b>
2.2.1	Specifications.....	26
2.2.2	Drawing Sheet.....	27
2.2.3	Functions.....	28
2.2.4	Deco Sheet .....	30
2.2.5	Wireless Communication.....	31
2.2.6	Use Environment.....	31
<b>2.3</b>	<b>SCU Basic (FXRS-03A) .....</b>	<b>32</b>
2.3.1	Specifications.....	32
2.3.2	Drawing Sheet.....	32
2.3.3	Functions.....	33
<b>2.4</b>	<b>SCU mini (FXRS-04A).....</b>	<b>35</b>
2.4.1	Specifications.....	35
2.4.2	Drawing Sheet.....	35
2.4.3	Functions.....	36
<b>2.5</b>	<b>SCU Lite (FXRP-02A).....</b>	<b>38</b>
2.5.1	Specifications.....	38
2.5.2	Drawing Sheet.....	38
2.5.3	Functions.....	39
<b>2.6</b>	<b>Battery Pack.....</b>	<b>40</b>
2.6.1	Specifications.....	40
2.6.2	Drawing Sheet.....	40
<b>2.7</b>	<b>Battery Charger (FXRC-02A) .....</b>	<b>41</b>
2.7.1	Specifications.....	41
2.7.2	Drawing Sheet.....	41
<b>2.8</b>	<b>Battery Charger (FXRC-03A) .....</b>	<b>42</b>
2.8.1	Specifications.....	42
2.8.2	Drawing Sheet.....	42
<b>2.9</b>	<b>Others.....</b>	<b>43</b>
2.9.1	X-ray Generator (Recommended Exposure Condition).....	43
2.9.2	Recommended Specifications of Workstation (PC).....	43

2.9.3	Recommended Specifications of Grid.....	43
<b>3.</b>	<b>System Configuration.....</b>	<b>44</b>
<b>3.1</b>	<b>Detector Connection Methods.....</b>	<b>45</b>
3.1.1	Wireless Connection.....	45
3.1.2	Wired Connection.....	46
<b>3.2</b>	<b>Diagram.....</b>	<b>47</b>
3.2.1	Block Diagram.....	47
3.2.2	Wiring Diagram.....	47
<b>3.3</b>	<b>System Configuration.....</b>	<b>48</b>
3.3.1	AP Mode (SCU AP Mode).....	48
3.3.2	Tether Interface Mode.....	49
3.3.3	External AP Mode.....	50
3.3.4	Detector AP Mode.....	51
3.3.5	Detector Stand-Alone Mode.....	52
<b>3.4</b>	<b>Generator Interface.....</b>	<b>53</b>
3.4.1	AED (Auto Exposure Detection) Interface.....	53
3.4.2	DR Trigger Interface.....	54
<b>3.5</b>	<b>Configuring DR Trigger Interface.....</b>	<b>55</b>
3.5.1	Trigger Interface Way.....	55
3.5.2	Packet Trigger.....	55
3.5.3	Line Trigger.....	56
3.5.4	EXT_INF Port Pin Map.....	57
3.5.5	Input / Output Circuit.....	59
<b>4.</b>	<b>Settings.....</b>	<b>60</b>
<b>4.1</b>	<b>Battery Pack.....</b>	<b>61</b>
4.1.1	How to Insert Battery Packs.....	61
4.1.2	How to take out a battery pack.....	62
4.1.3	How to charge a battery pack (FXRC-02A).....	65
4.1.4	How to charge a battery pack (FXRC-03A).....	67
<b>4.2</b>	<b>Product Installation.....</b>	<b>70</b>
4.2.1	Connecting SCU Basic (FXRS-03A).....	70
4.2.2	Connecting SCU mini (FXRS-04A).....	71
4.2.3	Booting up SCU (Ex. FXRS-03A).....	72
4.2.4	Booting up the Detector.....	72
4.2.5	Checking Status LED of Detector.....	73
4.2.6	Connecting SCU Lite (FXRP-02A).....	75
4.2.7	Booting Up SCU Lite and Detector.....	76

<b>4.3</b>	<b>Device Setting</b> .....	<b>77</b>
4.3.1	Software Installation.....	77
4.3.2	Setting Detector and SCU.....	77
4.3.3	Setting NFC Tag.....	77
<b>4.4</b>	<b>Diagnosis of Devices</b> .....	<b>79</b>
4.4.1	Image Diagnosis.....	79
4.4.2	Battery Pack Diagnosis.....	80
4.4.3	Wireless Communication Diagnosis.....	81
4.4.4	Wired/Wireless Communication Speed Diagnosis.....	82
4.4.5	Self-Diagnosis.....	82
<b>5.</b>	<b>Inspection and Maintenance</b> .....	<b>85</b>
<b>5.1</b>	<b>Product Inspection</b> .....	<b>86</b>
5.1.1	Daily Inspection.....	86
5.1.2	Performance Inspection.....	86
<b>5.2</b>	<b>Cleaning and Disinfection</b> .....	<b>87</b>
5.2.1	Recommended Detergent Foam .....	87
5.2.2	How to Use Detergent Foam.....	87
<b>5.3</b>	<b>Product Initialization</b> .....	<b>88</b>
5.3.1	SCU Initialization.....	88
5.3.2	Detector Initialization.....	89
5.3.3	Wireless Initialization of Detector .....	90
<b>5.4</b>	<b>Detector Power Save Function (Sleep)</b> .....	<b>91</b>
<b>5.5</b>	<b>Changing the Wireless Setting</b> .....	<b>93</b>
5.5.1	Switching to the Detector AP Mode .....	93
5.5.2	Synchronizing the Wireless Setting.....	93
<b>5.6</b>	<b>Replacing the Fuse of SCU</b> .....	<b>94</b>
<b>6.</b>	<b>Troubleshooting</b> .....	<b>95</b>
<b>6.1</b>	<b>Troubleshooting</b> .....	<b>96</b>
6.1.1	Troubleshooting Guide.....	96
6.1.2	Fail to Turn the Detector On .....	96
6.1.3	The Power Switch of SCU or Status LED is not worked.....	96
6.1.4	The Power Switch of SCU Lite is not Working.....	97
6.1.5	Communication Test is failed.....	97
6.1.6	The Active LED and Data LED of the Detector are blinking.....	98
6.1.7	Errors in Detector LED.....	98
6.1.8	Rapid Consumption of Battery.....	98
6.1.9	Battery Pack or Installation Part of Battery is Getting Hot.....	98

<b>7. Regulatory Information</b>	<b>99</b>
<b>7.1 Medical Equipment Safety Standards</b>	<b>100</b>
7.1.1 Medical Equipment Classification	100
7.1.2 Product Safety Standard	100
<b>7.2 Radio Frequency Compliance Information</b>	<b>102</b>
7.2.1 FCC Compliance	102
7.2.2 FCC SAR	103
7.2.3 CE R&TTE SAR	103
<b>7.3 Labels and Symbols</b>	<b>105</b>
7.3.1 Label	105
7.3.2 Product Serial Number	112
7.3.3 Product Symbols	113
<b>7.4 Guidance and Manufacturer's Declaration for EMC</b>	<b>115</b>
7.4.1 Electromagnetic Emissions	115
7.4.2 Electromagnetic Immunity	115
<b>8. Information</b>	<b>118</b>
<b>8.1 Service Information</b>	<b>119</b>
8.1.1 Product Lifetime	119
8.1.2 Regular Inspection and Maintenance	119
8.1.3 Repair	119
8.1.4 Replacement Parts Support	119
8.1.5 Consumables	119
<b>8.2 Warranty</b>	<b>120</b>
<b>8.3 Revision History</b>	<b>121</b>

---

# 1. Instruction

---

This section gives basic information about this manual and safe product use.

Document Guide  
Intended Use  
Product Use  
Safety Instruction  
Product Usage Guide

## 1.1 Document Guide

This User Manual explains how to use the **VIVIX-S 1417N** detector made by Vieworks, X-ray interface unit, and other peripheral equipment. Use this manual to install, set up and manage the **VIVIX-S 1417N** detector as well as understand its various functions.

### 1.1.1 Caution

If the user is not fully acquainted with this manual, the product can be malfunctioned or unsuspected problem can be happened due to carelessness. To prevent any medical accidents, the user should fully understand the instructions of this manual before operating this product.

### 1.1.2 Target Audience

This manual is intended for service engineers and users who install and set up the **VIVIX-S 1417N** detector.

### 1.1.3 Symbols

This product should be operated under the safety instructions with the warning or caution symbol in this manual. It is important for you to read and understand the contents to operate the products safely.

#### Caution and Warning



- This symbol is used to indicate a potentially hazardous situation that may cause death, personal injury or substantial property damage if the instructions for safe operation are ignored.

#### Information



- This symbol is used to indicate reference and complementary information. Users are encouraged to read this information carefully.

### 1.1.4 Notations

#### Bold Types

We applied bold font style to the words which mean the products terms, or the words and sentences that are needed to transmit clear meaning to the customers. This helps you to easily distinguish the words from other technical ones for explaining functions.

### 1.1.5 Contact Department

For comments or inquiries regarding this document and relevant products, contact via email below.

Item	Contents
Department	Customer Support Team in Vieworks
E-mail	<a href="mailto:CustomerSupport@vieworks.com">CustomerSupport@vieworks.com</a>



## 1.2 Intended Use

**VIVIX-S 1417N** detector is a digital X-ray imaging solution. It acquires images by detecting X-rays that has been passed through the human body. When X-ray photons pass through the scintillator in the detector, the photons convert to visible ray, and the visible ray is converted to electronic signals through TFTs – thin film transistors (a-Si). Then the detector digitalizes X-ray images and transfers them to the PC (workstation) for diagnostic review using an image display monitor. Advanced digital image processing also allows efficient diagnosis, information management, and sharing of image information over the network.



- This detector is used for the general-purpose diagnostic procedures, and as well as intended to replace radiographic film / screen systems.
- This detector is not intended for mammography applications.

### 1.2.1 Features

- Since **VIVIX-S 1417N** detector is compatible with a conventional film cassette, it enables to replace the analog radiographic diagnosis.
- The new sensor with 140µm of pixel pitch produces high spatial resolution (approximately 7.9 Mega pixels) digital images.
- You can choose between two scintillator types (CsI and Gadox) of a detector provided by Vieworks.
- The built-in wireless communication supports **IEEE 802.11n/ac** to acquire images without a wired connection in anytime, anywhere.
- Easily changes the settings of your detector using NFC tag.
- Checks the connecting status and battery remains through the LED display.
- Makes direct wireless communication with the built-in wireless AP function. (Inside AP™)
- Makes quick application of various functions with the buttons on the side of the detector.
- Supports the stable and reliable AED (Auto Exposure Detection) function. (Anytime™)
- Designed as lightweight and thin with portability to allow easy exposure in anytime, anywhere.
- Used the devices with cable connection (tether interface cable) depending on the using environment.

## 1.3 Product Use

This chapter provides instructions about the use of the product, disposal and the liability limit of Vieworks.

### 1.3.1 Product Usage

- 1 Only a physician or a legally certified operator should use this product.
- 2 The equipment should be kept in a safe and operable condition by maintenance personnel.
- 3 Follow the guidelines in this manual when installing and using this product.
- 4 Use only computers and image display monitors recommended in this manual.
- 5 Use only the dedicated cables provided with this product.
- 6 For details about installation and use of the product, consult your sales representative or a distributor.

### 1.3.2 Disclaimer

- 1 In no event shall Vieworks be liable for damage or loss arising from a fire, earthquake, any action or accident by a third party, any intentional or negligent action by users.
- 2 In no event shall Vieworks be liable for damage or loss arising from any trial usage, or other usage under abnormal conditions.
- 3 In no event shall Vieworks be liable for personal physical harm or property damage that is sustained when the instructions of this manual are not followed.
- 4 In no event shall Vieworks be liable for direct or indirect consequential damages arising from the use of this product.
- 5 In no event shall Vieworks be liable for any damage arising from moving, alteration, inspection or repair the product by a person other than an authorized service engineers by Vieworks.
- 6 In no event shall Vieworks be liable for loss of image data for any reason while using this product.
- 7 Roentgenography, image processing, image reading, and image data storage must be performed in accordance with the laws of the country or region in which the product is being used.
- 8 The user is responsible for maintaining the privacy of image data acquired from this product.
- 9 It is the responsibility of the attending physicians to provide medical care services. Vieworks will not be liable for faulty diagnoses.
- 10 Specifications, composition, and appearance of this product may change without prior notice.

### 1.3.3 Product Disposal

Disposal of this product in an unlawful manner may have a negative impact on health and on the environment. When disposing of this product, therefore, be absolutely sure to follow the procedure that conforms to the laws and regulations applicable in your area.

#### European Union (and EEA\*) only



This symbol indicates that this product is not to be disposed with your household waste, according to the WEEE Directive (2012/19/EC) and your national law.



This product should be handed over to a designated collection point, e.g., on an authorized one-for-one basis when you buy a new similar product or to an authorized collection site for recycling electrical and electronic equipment (EEE). Improper handling of this type of waste



could have a negative impact on the environment and human health due to potentially hazardous substances that are generally associated with EEE. At the same time, your cooperation in the correct disposal of this product will contribute to the effective usage of natural resources. For more information on where you can drop off your waste equipment for recycling, please contact your local city office, waste authority, approved WEEE scheme, or your household waste disposal service.

\*EEA: Norway, Iceland, and Liechtenstein

### 1.3.4 Trademarks

The name "Vieworks" and Vieworks logo are registered trademarks of Vieworks.

© Vieworks. 2017 All rights reserved.

**The copyright of this document is owned by Vieworks. Under copyright laws, this document cannot be reproduced, in whole or in part, without the written permission of Vieworks.**

## 1.4 Safety Instruction

This product is designed and manufactured to ensure maximum safety of operation and to meet all the safety requirements applicable to electronic medical equipment. Follow these safeguards while using the products to prevent severe personal injury or substantial property damage. It is important to read and understand the contents of this manual before using the product.

### 1.4.1 Management and Authority



- The product should be installed, operated, and serviced according to Vieworks maintenance procedures and by a Vieworks service representative or a distributor who provides purchase of the Vieworks' product.
- Operation and maintenance should be done in strict compliance with the operation instructions contained in the manual.
- The system, in whole or in part, cannot be modified in any way without prior approval from Vieworks.
- Before authorizing any person to operate the system, verify that the person has read and fully understood the User Manual. The owner should make certain that only properly trained and fully qualified personnel are authorized to operate the equipment. An authorized operators list should be made and maintained.
- It is important that this User Manual be kept at hand, studied carefully, and reviewed periodically by the authorized operators.
- If a malfunction occurs, do not use this device until qualified personnel correct the problem.

### 1.4.2 Power Supply



- Do not operate the equipment using any type of power supply other than the one indicated on the rating label. Doing so may result in a fire or electric shock.
- Do not supply power to more than one piece of equipment using the same AC outlet for this product. Doing so may result in a fire or electric shock.
- Do not connect multiple portable socket-outlets or extension cords to the system. Doing so may result in a fire or electric shock.
- Always connect the three-core power cord plug to a grounded AC power outlet.
- Ground the equipment to an indoor grounded connector. Connect all the grounds for the system to a common ground.
- Do not use any power source other than the one provided with this product. Otherwise, a fire or electric shock may be caused due to a leakage.
- The owner should ensure continuous power supply to the system with voltage and current according to the product specifications. If the system is powered unstably during its operation, we recommend you install a UPS (Uninterrupted Power Supply) to avoid loss of data.

- To make it easy to disconnect the plug at any time, avoid putting any obstacles near the outlet. Otherwise, it may not be possible to disconnect the plug in an emergency.
- Do not place heavy objects, such as medical equipment on cables and cords. Do not pull, bend, bundle, or step on the cables and cords to protect their sheath from being damaged.
- Do not alter the cords. Doing so may damage the cords, which could result in a fire or electric shock.
- Securely plug the power cord into the AC outlet. If contact failure occurs, or if dust/metal objects come into contact with the exposed metal prongs of the plug, fire or electric shock may result.
- Turn OFF the power to each piece of equipment before connecting or disconnecting the cords. Otherwise, you may get an electric shock that could result in death or serious injury.
- Hold the plug or connector when you disconnect the cord. If you pull the cord, the core wire may be damaged, resulting in a fire or electric shock.
- Do not handle the product with wet hands. You may experience an electric shock that could result in death or serious injury.

### 1.4.3 Handling



- Never disassemble or modify the equipment. Doing so may result in a fire or electric shock. The equipment incorporates hazardous parts that may cause an electric shock. Touching the parts may cause death or serious injury.
- Do not connect the equipment to anything that is not specified in this User Manual.
- Do not place anything on top of the equipment. The object may fall and cause an injury. If metal objects such as needles or clips fall into the equipment, or if liquid is spilled, it may result in a fire or electric shock.
- Do not hit or drop the equipment. The equipment may be damaged if it receives a strong jolt, and it may result in a fire or electric shock.
- Do not place excessive weight on the detector. The internal image sensor may be damaged, or the image quality may be affected.
- Have the patient take a fixed posture and do not let him or her touch parts unnecessarily. If the patient touches connectors or switches, it may result in electric shock or malfunction of the equipment.
- Do not spill liquid or chemicals onto the detector. In cases where the patient is injured, protect the equipment with a disposable covering not allow to come in contact with blood or other body fluids. Otherwise, it may result in a fire or electric shock.
- For safety reasons, be sure to turn OFF the power of the equipment when the inspections indicated in this manual are going to be performed.
- Do not submerge the detector in water.
- Be sure to use the detector on a flat surface so it will not bend. Otherwise, the internal image sensor may be damaged. Be sure to securely hold the detector while using it in upright positions.

- Because the equipment cable is long, take care that cables do not become tangled during use. Also, be careful not to get your feet caught in the cable. It may cause a malfunction of the equipment or injury to the user from tripping over the cable.
- Do not block the ventilation ports of **SCU** to prevent overheating. Overheating can cause product's malfunctions and damages.

#### 1.4.4 Battery Pack and Charger

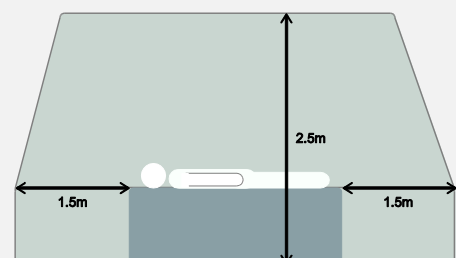
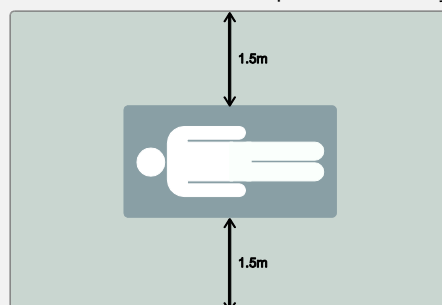


- Do not use the battery pack as a power source for equipment other than **VIVIX-S 1417N** detector. Be sure to use only the dedicated battery pack for the **VIVIX-S 1417N** detector.
- The battery charger is designed for the dedicated battery pack. Do not use the battery charger other than the dedicated one. Otherwise, a battery explosion or a battery leak may occur, resulting in fire or electrical shock.
- Do not operate the battery charger using any type of power supply other than the one indicated on the rating label.
- Do not handle the product with wet hands.
- Do not attempt to disassemble, alter, or apply heat to the product.
- Avoid dropping or subjecting the product to severe impacts. To avoid the risk of injury, do not touch the internal parts of the battery if it has been cracked.
- Stop using the battery pack immediately if it emits smoke, a strange smell, or otherwise behaves abnormally.
- Do not let the battery pack and battery charger come into contact with water or other liquids and do not allow them to get wet.
- Do not clean with substances containing organic solvents such as alcohol, benzene, thinner, or other chemicals. Otherwise, fire or electrical shock may result.
- Do not allow dirt or metal objects (such as hair pins, clips, staples or keys) to contact the terminals. Otherwise, battery explosion or leakage of electrolyte may occur, resulting in fire, injury or pollution of surrounding area. If the battery leaks and the electrolytes come into contact with your eyes, mouth, skin or clothing, immediately wash it away with running water and seek medical attention.
- Do not leave, store, or place the product in a location near heat sources, or in a place subject to direct sunlight, high temperature, high humidity, excessive dust, or mechanical shock. Otherwise, battery leakage, overheating or damage to the product may occur, resulting in electrical shock, burns, injury or fire.
- Do not attempt to use a battery pack that has deteriorated. Using a battery pack that has exceeded its life cycle may lead to overheating, fire or explosion.
- The Lithium ion battery is recyclable.
- Battery slowly discharges even if not in use.
- The battery pack may have expired if it discharges immediately after being fully charged. You can purchase an optional battery pack to replace an exhausted one.
- The battery pack is a consumable item. If a fully charged battery is consumed quickly, use a new and fully charged battery pack.

- Be sure to charge the battery periodically (once a year) if it is not used for an extended period of time. The battery pack cannot be charged if it has been over discharged.
- Before discarding the battery pack, cover the terminals with adhesive tape or other insulators. Contact with other metal materials may cause fire or explosion.

### 1.4.5 Environment of Use

- Do not install the equipment in any of the locations listed below. Doing so may result in failure or malfunction, equipment falling, fire, or injury.
  - Close to facilities where water is used.
  - Where it will be exposed to direct sunlight
  - Close to the air outlet of an air-conditioner or ventilation equipment
  - Nearby the electric heating appliance such as a heater
  - Where the power supply is unstable
  - In a dusty environment
  - In a saline or sulfurous environment
  - Where temperature or humidity is higher than the operating temperature
  - Where there is freezing or condensation
  - In areas prone to vibration
  - On an incline or in an unstable area
- This product may malfunction due to electromagnetic interference (EMI) caused by telecommunication devices, transceivers, electronic devices, etc. To prevent the electromagnetic wave from badly influencing the product, be sure to avoid placing it in close proximity to the product. Or, change direction or position of the product or move into the shielded place to reduce electromagnetic interference.
- This equipment is not suitable for use in the presence of a flammable anesthetic mixture with air or with oxygen or nitrous oxide.
- Conductive fluids that drain into the active circuit components of the system may cause short circuits that can result in electrical fire. Therefore, do not place fluids or food on any part of the system.
- To avoid electric shocks and burns caused by use of the wrong type of fire extinguisher, make sure that the fire extinguisher at the site has been approved for use on electrical fires.
- Non-medical devices such as a battery charger, wireless router and **SCU** (System Control Unit) cannot be used in patient's vicinity.



### 1.4.6 Temperature



- The product is not intended to supply heat to a patient.
- The temperature of contact area with a patient will not be exceeded 48°C under the normal user environment.
- Do not use the equipment beyond the range of recommended operating temperature.
- Be sure to monitor the internal temperature related to the patient contact area to avoid any adverse effect to the patient.

### 1.4.7 Problem Management



- Should any of the following occur, immediately turn OFF the power to each piece of equipment, unplug the power cord from the AC outlet, and contact sales representative or distributor.
  - When there is smoke, an odd smell or abnormal sound.
  - When liquid is spilled into the equipment or a metal object is entered through an opening.
  - When the equipment has been dropped and is damaged.

### 1.4.8 Maintenance and Inspection



- Do not use or store the equipment near flammable chemicals such as acetone, benzene, thinner, etc. If chemicals are spilled or evaporated, it may result in a fire or electric shock through contact with electric parts inside the equipment.
- If any flammable cleaning agent is used for the product, be sure to take care when using them.
- When the equipment is going to be cleaned, be sure to turn OFF the power of the equipment and unplug the power cord from the AC outlet. Never use thinner, acetone, benzene or any other flammable cleaning agent. Otherwise, it may result in a fire or electric shock.
- Clean the plug of the power cord periodically by unplugging it from the AC outlet and removing dust or dirt from the plug, its periphery, and AC outlet with a dry cloth. If the cord is kept plugged in for a long time in a dusty, humid or sooty place, dust around the plug will attract moisture, and this could cause insulation failure that could result in a fire.
- Be sure to turn OFF the power of the equipment while cleaning. Otherwise, a fire or electric shock may occur.



## 1.5 Product Usage Guide



- When using the equipment, take the following precautions. Otherwise, problems may occur and the equipment may not function correctly.

### 1.5.1 Calibration

- To ensure optimal system performance, it is important to verify that the system is calibrated correctly.
- Check if the calibration is performed after the equipment is completed to be installed or repaired.
- Do not try to use the system if the calibration has not been performed.
- If it is difficult to perform the calibration directly, use calibration data in the detector.



- The calibration result can be different by the use environment. Therefore, if the result performed with the calibration data in the detector is not satisfied, you can create the data at the field in person by using **VIVIX Setup**, the calibration software.

### 1.5.2 Length Measurement

- Before taking any length measurement on an image, carry out the length calibration with a reference object and verify its results for correct measurement.

### 1.5.3 Left/Right Marker

- The operator is responsible for making a correct and clear mark on the left or right side of the image.
- The software includes a function to mark the image with **L** (left) or **R** (right) while acquiring the image through printing and archiving.
- Prepare an alternative way to prevent any confusion if the operator does not choose to use **L/R** marks.

### 1.5.4 Image Backup

- To avoid missing images which might result in a patient being exposed to additional dose of radiation, it is important to send images to PACS or backup images by using film or external storage media (CD, DVD, HDD, USB).
- If the hard disk of your workstation is about to be full, the operator should backup images to somewhere else and delete them to make storage (memory) space in the hard disk for new patients.



- The image backup should be done as a routine operation for every patient and image.

### 1.5.5 Use Limitations

- Vieworks software has the engineer mode operated by inputting the administrator password only.
- This mode should be operated by the person who is qualified by Vieworks.

### 1.5.6 Disposal

- Disposal of this product in an unlawful manner may have negative effects on human health and the environment.
- Be sure to follow the procedure which is in conformity with the laws and regulations applicable in your area.

### 1.5.7 Pediatric Application

- Every request should be reviewed by a pediatric radiologist prior to beginning the examination to ensure that an appropriate study is being performed.
- If the technologist notices an unusual request, he or she must contact a radiologist in charge. Examples include orders- a Full Cervical, Thoracic, and Lumbar Spine series. The pediatric radiologist should contact the ordering physician and decide which study is best for the pediatric patient.
- The technologist should use a proper technique considering the patient's size to decrease the radiation dose when he or she acquires diagnostic images.
- ALL pediatric patients shall be shielded for their X-ray examinations, except for when the shield will obscure the region of interest, as in a pelvic or SI joint X-ray for trauma or arthritis, or when it is physically or clinically unreasonable to shield the patient.
- For routine Hip X-Rays, ALL male children shall have their scrotum shielded using the small gonadal shield while females may not be shielded because doing so would obscure the hips.
- To minimize motion in infants and young children, swaddle the infant. Use distraction tools to improve cooperation and projectors with child-friendly themes, music, toys with flashing lights or music, child-friendly images on the ceiling or walls, singing, counting, and a parent reading and talking to the child through the console all can help reduce anxiety and comfort the child.
- A scoliosis series will consist of a single frontal standing view of the spine. No lateral view or supine view is needed, unless specifically asked for by the Orthopedist or Radiologist. If the female's breasts can be shielded without obscuring the spine, breast shields should be used.

### 1.5.8 Before Exposure

- Be sure to check the equipment daily and confirm that it works properly.
- Sudden heating of the room in cold areas will cause condensation to form on the equipment. In this case, wait until the condensation evaporates before performing an exposure. If the equipment is used while condensation is formed in it, problems may occur in the quality of captured images.
- When an air-conditioner is used, be sure to raise/lower the temperature gradually so that difference between the temperature in the room and in the equipment does not occur, to prevent condensation.

### 1.5.9 During Exposure

- This equipment is not protected (sealed) against liquids such as blood and medicine in the operating room. If necessary, wrap the equipment in a disposable cover when using it.
- Do not use the selected frequency channel (2.4 GHz and 5 GHz dual band) for other wireless devices. Mutual interference may affect the image data transmission rate.
- Do not use the detector near devices generating a strong magnetic field. Doing so may produce image noise or artifacts.

### 1.5.10 Operating and Storage Environment

- This equipment is mainly used in the X-ray exposure room and hospital wards. To use it in other places, consult Vieworks' sales representative or a distributor.
- Do not expose this equipment to high temperatures and/or high humidity. Malfunctions may occur.
- When not in use, keep the products in a safe location.
- Be sure to use and store this equipment under the conditions described below.

Classification	Temperature	Humidity (Non-condensing)	Atmosphere
Operating Environment	+10 ~ +35°C	30 ~ 85%	700 ~ 1060 hPa
Storage and Shipping Environment	-15 ~ +55°C	10 ~ 90%	500 ~ 1060 hPa



- The operating environment of this equipment is complied with **EN60721-3-3 Class 3K2**.
- The storage and shipping environment of this equipment is complied with **EN60721-3-2 Class 2K2**.

### 1.5.11 Others

- Do not use this equipment in combination with peripherals such as defibrillators or large electric motors as these may cause power-supply noise or power supply voltage variations. Doing so may prevent normal operation of this equipment and peripherals.

---

## 2. Product


---

This section gives an instruction about the product components and their specifications.

- Product Components
  - VIVIX-S 1417N Detector
    - SCU Basic (FXRS-03A)
    - SCU mini (FXRS-04A)
    - SCU Lite (FXRP-02A)
  - Battery Pack
  - Battery Charger
  - Others

## 2.1 Product Components



### 2.1.1 Detector

Product Name	Model / Description
<p>VIVIX-S 1417N Wireless Detector</p> 	<ul style="list-style-type: none"> <li>• FXRD-1417NAW (3.0kg)</li> <li>• FXRD-1417NBW (3.0kg)</li> </ul>



- A deco sheet attached on the detector can be different depending on each client company.

### 2.1.2 SCU Lite (FXRP-02A)

Product Name	Model / Description
<p>SCU Lite</p> 	<ul style="list-style-type: none"> <li>• FXRP-02A (330g)</li> </ul>
	<ul style="list-style-type: none"> <li>• DC Adaptor (BPM030S-24)</li> </ul>

### 2.1.3 SCU (System Control Unit)

Component	Model / Description
-----------	---------------------

<p>SCU Basic</p>	 <ul style="list-style-type: none"> <li>• FXRS-03A (2.8kg)</li> </ul>
------------------	--

	 <ul style="list-style-type: none"> <li>• AC Power Cable (2m)</li> <li>• 110V (1EA) / 220V (1EA)</li> </ul>
--	---

	 <ul style="list-style-type: none"> <li>• FXRS-04A (1.2kg)</li> </ul>
--	--

<p>SCU mini</p>	 <ul style="list-style-type: none"> <li>• DC Power Supply (BPM060S24F10 / 24V)</li> </ul>
-----------------	--

	 <ul style="list-style-type: none"> <li>• AC Power Cable (2m)</li> <li>• 110V (1EA) / 220V (1EA)</li> </ul>
--	---








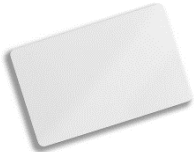



• You can choose one of the SCU models depending on the purpose of use.

### 2.1.4 Battery & Charger

Component	Image	Model / Description
Battery		<ul style="list-style-type: none"> <li>• FXRB-03A (115g, 4EA)</li> </ul>
		<ul style="list-style-type: none"> <li>• FXRC-02A (0.8kg)</li> </ul>
		<ul style="list-style-type: none"> <li>• FXRC-03A (0.5kg, Option)</li> </ul>
Charger		<ul style="list-style-type: none"> <li>• DC Power Supply (BPM060S24F10 / 24V)</li> </ul>
		<ul style="list-style-type: none"> <li>• AC Power Cable (2m)</li> <li>• 110V (1EA) / 220V (1EA)</li> </ul>

### 2.1.5 Accessories

Type	Image	Description
Resource		<ul style="list-style-type: none"> <li>• Software (Viewer or SDK)</li> <li>• Manuals</li> </ul>
Cables		<ul style="list-style-type: none"> <li>• Tether Interface Cable (7m)</li> </ul>
		<ul style="list-style-type: none"> <li>• Ether Con Cable (7m, Option)</li> </ul>
		<ul style="list-style-type: none"> <li>• Generator Interface Cable (15m)</li> </ul>
		<ul style="list-style-type: none"> <li>• UTP LAN Cable (15m, Direct)                             <ul style="list-style-type: none"> <li>▫ CAT 5E , CAT6 or higher</li> </ul> </li> </ul>
Velcro tape (25mm x 50mm / 6ea)		<ul style="list-style-type: none"> <li>• Attached to the corners of bucky and the friction surface of a detector.</li> </ul>
Velcro tape (25mm x 100mm / 6ea)		
NFC card		<ul style="list-style-type: none"> <li>• Used to change settings of detector through the NFC.</li> </ul>
		<ul style="list-style-type: none"> <li>• The design or the number of cards can be different depending on each client company.</li> </ul>





- The use of accessories and cables other than those approved and sold by Vieworks Co., Ltd. may result in increased release of electromagnetic waves or decreased stability of the equipment.
- Accessory equipment connected to the analog and digital interfaces must be certified according to the respective IEC standards. All combinations of equipment must be in compliance with **IEC 60601-1-1** system requirements.
- Any person who connects additional equipment to the signal input or signal output ports configures a medical system, and is therefore responsible for ensuring that the system complies with the requirements of the system standard **IEC 60601-1**.
- Consult your sales distributor or manufacturer if you have any concerns.

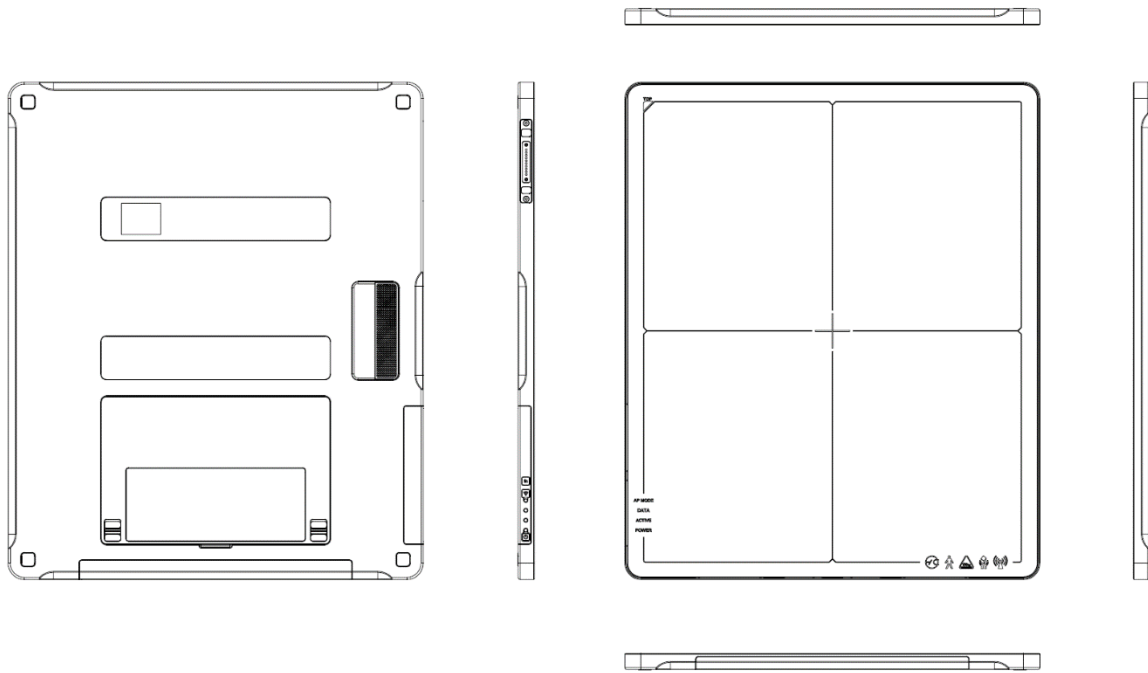
## 2.2 VIVIX-S 1417N Detector

VIVIX-S 1417N is designed to acquire digital images by collecting x-ray signals and several conversion processes. You can use the acquired image (14" x 17" film size) diversely depending on the purpose of use.

### 2.2.1 Specifications

Item	Specifications
<b>Model</b>	<ul style="list-style-type: none"> <li>FXRD-1417NAW (CsI)</li> <li>FXRD-1417NBW (Gadox)</li> </ul>
<b>Image Sensor</b>	<ul style="list-style-type: none"> <li>TFT: a-Si (Amorphous Silicon)</li> </ul>
<b>X-ray Scintillator Type</b>	<ul style="list-style-type: none"> <li>FXRD-1417NAW : CsI: TI (Thallium doped Caesium Iodide)</li> <li>FXRD-1417NBW : Gd<sub>2</sub>O<sub>2</sub>S:Tb (Gadolinium oxysulfide)</li> </ul>
<b>Pixel Pitch</b>	<ul style="list-style-type: none"> <li>0.14mm (140μm)</li> </ul>
<b>Field of View</b>	<ul style="list-style-type: none"> <li>14" x 17"</li> </ul>
<b>Active Area (H x V)</b>	<ul style="list-style-type: none"> <li>358.4mm x 430.08mm</li> </ul>
<b>Active Array</b>	<ul style="list-style-type: none"> <li>2560 x 3072 pixels</li> </ul>
<b>Effective Area</b>	<ul style="list-style-type: none"> <li>FXRD-1417NAW: 355.04mm x 426.72mm</li> <li>FXRD-1417NBW: 358.4mm x 430.08mm</li> </ul>
<b>Effective Array</b>	<ul style="list-style-type: none"> <li>FXRD-1417NAW: 2536 x 3048 pixels</li> <li>FXRD-1417NBW: 2560 x 3072 pixels</li> </ul>
<b>Grayscale</b>	<ul style="list-style-type: none"> <li>16bit</li> </ul>
<b>Spatial Resolution</b>	<ul style="list-style-type: none"> <li>Min. 3.5 lp/mm</li> </ul>
<b>Image Acquisition Time (Wired)</b>	<ul style="list-style-type: none"> <li>1.5 sec.</li> </ul>
<b>Image Acquisition Time (Wireless)</b>	<ul style="list-style-type: none"> <li>3 sec.</li> </ul>
<b>Recommended Cycle Time</b>	<ul style="list-style-type: none"> <li>10 sec.</li> </ul>
<b>X-ray Synchronization Control</b>	<ul style="list-style-type: none"> <li>AED (Auto Exposure Detection)</li> <li>DR Trigger (External line trigger)</li> </ul>
<b>Rated Power Supply</b>	<ul style="list-style-type: none"> <li>DC +24V, Max. 1.0A           <ul style="list-style-type: none"> <li>Wired: Powered by SCU with a tether interface cable.</li> <li>Wireless: Powered by a battery pack (3,100 mAh x 2)</li> </ul> </li> </ul>
<b>Power Consumption</b>	<ul style="list-style-type: none"> <li>Max. 19.2 W</li> </ul>
<b>Operating Time</b>	<ul style="list-style-type: none"> <li>6 hours (Capturing), 8 hours (Standby) - when sleep mode is off</li> </ul>
<b>Dimensions (H x W x D)</b>	<ul style="list-style-type: none"> <li>384.0mm x 460.0mm x 15.0mm</li> </ul>
<b>Weight</b>	<ul style="list-style-type: none"> <li>3.0 kg (Without a battery pack)</li> </ul>
<b>Image Transfer</b>	<ul style="list-style-type: none"> <li>Wired: Gigabit Ethernet (1000BASE-T) via PoE (Power over Ethernet)</li> <li>Wireless: IEEE 802.11n/ac (2.4GHz/5GHz)</li> </ul>
<b>Data Transmission Rate (Wired)</b>	<ul style="list-style-type: none"> <li>Max. 1Gbps</li> </ul>
<b>Data Transmission Rate (Wireless)</b>	<ul style="list-style-type: none"> <li>IEEE802.11n: Max. 450Mbps (MIMO 3X3)</li> <li>IEEE802.11ac: Max. 1300Mbps (MIMO 3X3)</li> </ul>

### 2.2.2 Drawing Sheet



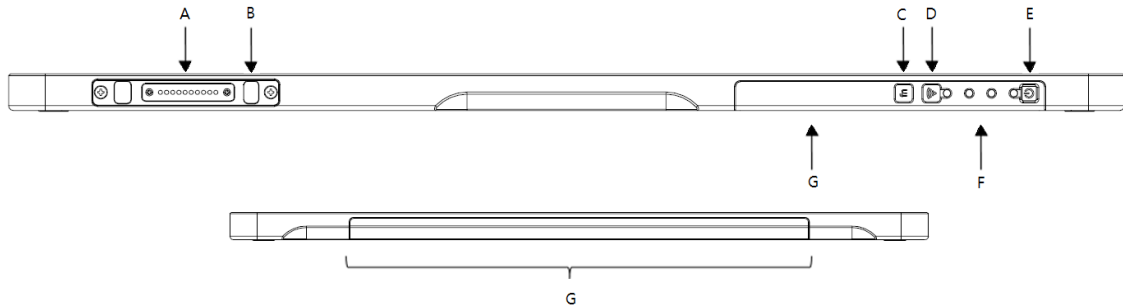
Item	Description
Dimensions (H × W × D)	384.0mm × 460.0mm × 15.0mm
Curvature of Edges	R15.0



- The allowed tolerance of thickness of a detector is **-2.0mm ~ +1.0mm** under the **ISO 4090** regulation.

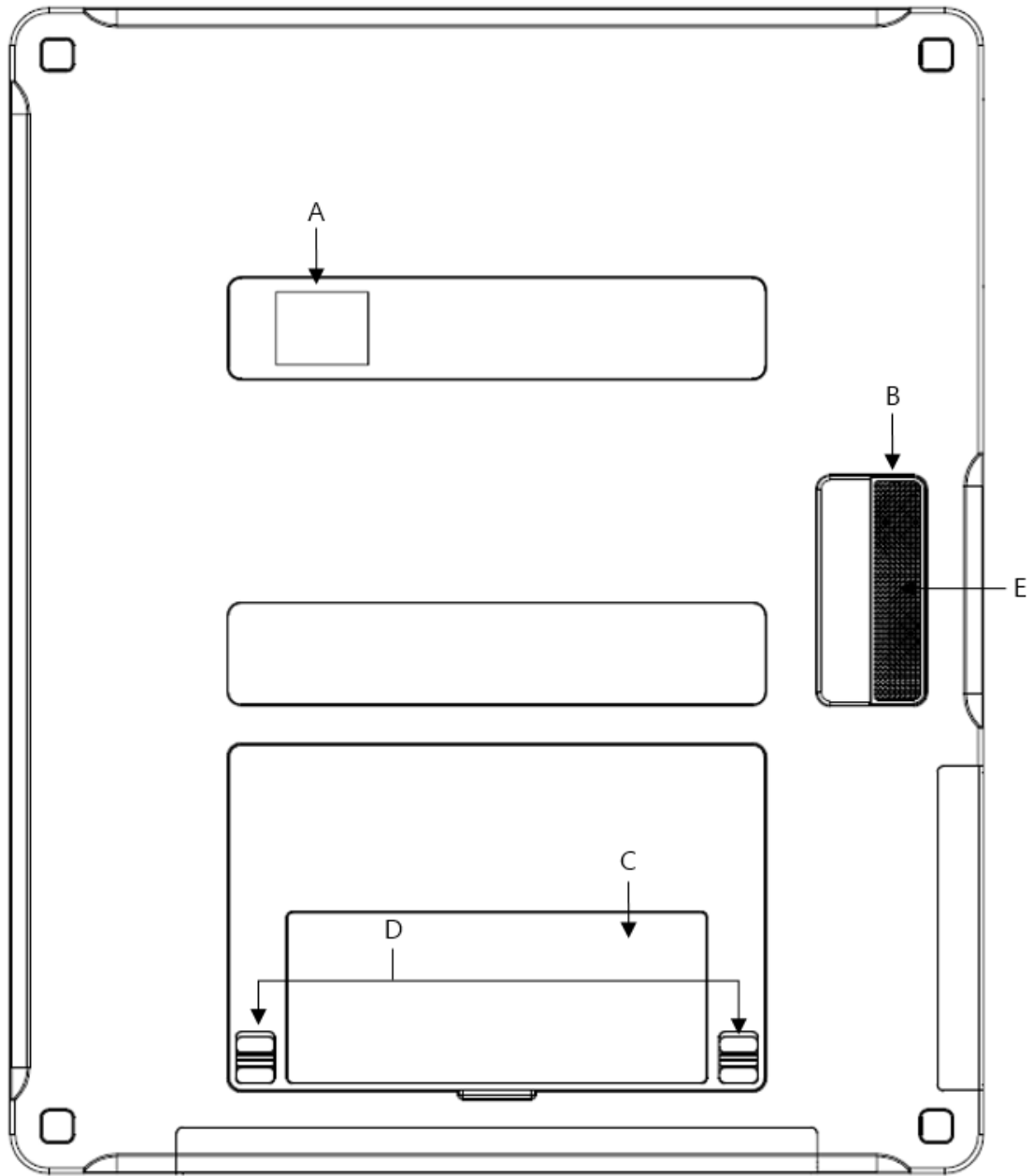
## 2.2.3 Functions

### Side



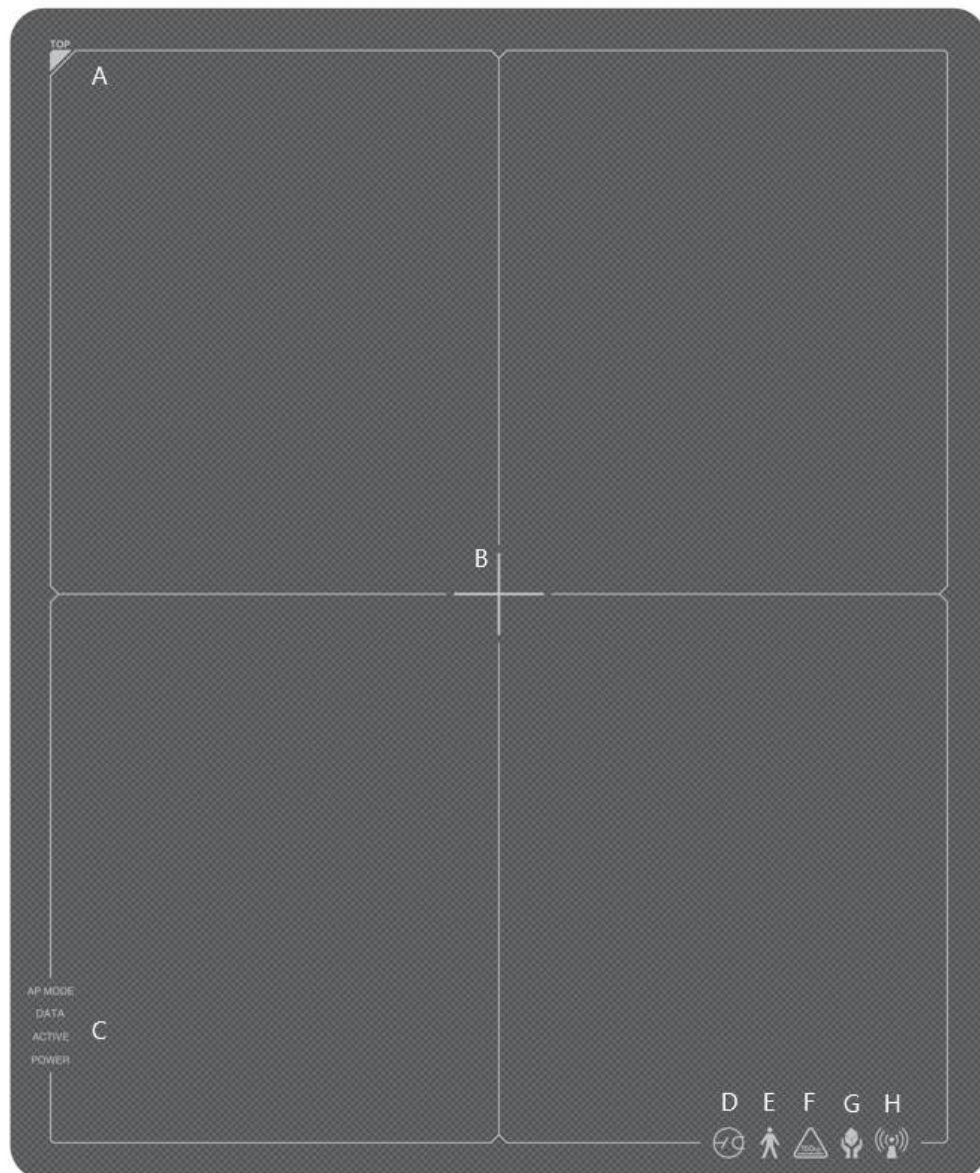
Name	Description
<b>A Tether Interface Connector</b>	Tightens the tether interface cable. <ul style="list-style-type: none"> <li>Used for wired connection between a detector and SCU.</li> </ul>
<b>B Tether Interface Holder</b>	Used for fixing and releasing a tether interface cable
<b>C Function Buttons</b>	<ul style="list-style-type: none"> <li>Checks the status of detector</li> <li>Activates specialized functions</li> </ul>
<b>D AP ON /OFF Button</b>	<ul style="list-style-type: none"> <li>AP ON/OFF Button : Turns on / off the AP mode</li> </ul>
<b>E Power Button</b>	<ul style="list-style-type: none"> <li>Detector power button</li> </ul>
<b>F Status LED</b>	<ul style="list-style-type: none"> <li>DATA LED (Blue) : Indicates data communication and transmission status</li> <li>ACTIVE LED (Orange) : Indicates readiness status to work</li> <li>POWER LED (Green) : Indicates power On/Off status</li> <li>AP Mode LED : Indicates On/Off status of AP mode</li> </ul>
<b>G Antenna for Wireless LAN</b>	Antennas for wireless communication (3EA)

Rear



Name	Description
A LED Display	Indicates battery remains
	Indicates status of wireless connection and information
	Indicates direction of the image
B Handle	A handle for carrying a detector
C NFC Contacts	Contacting part of the NFC tag
D Lock Lever of the Battery Case	Locks/Unlocks the case of the attached battery pack.
E Speaker	Sound output when contacting the NFC tag.

## 2.2.4 Deco Sheet



	Indication Info.	Description
A	<b>Image starting point</b>	Indicates the starting point of an original image.
B	<b>Center of the detector</b>	Indicates the central position of detector.
C	<b>Status indication logo</b>	Indicates the operating state of detector. <ul style="list-style-type: none"> <li>• AP Mode, DATA, ACTIVE, POWER</li> </ul>
D-G	<b>Certification logo</b>	Indicates the certification logos relating to a medical device.
H	<b>Wireless communication logo</b>	Indicates that this model can be operated wirelessly.



- Image starting point (0.0) of this detector is located nearby the tether interface connector. You can change the displayed direction of an image from the **VIVIX Setup** program, but it does not mean that the starting point and direction of the original image are changed.

### 2.2.5 Wireless Communication

Item	Specifications
Wireless standard	IEEE 802.11n/ac
Frequency range	2.412 ~ 2.472GHz (13 Channels)
	5.18 ~ 5.24GHz (4 Channels)
	5.745 ~ 5.805GHz (4 Channels)
Data transmission rate	802.11n: Max. 450Mbps (MIMO 3X3) 802.11ac: Max. 1300Mbps (MIMO 3X3)
Modulation	BPSK, QPSK, 16-QAM, 64-QAM, 256-QAM
Transmission power	2.4GHz: Max. 19dBm (per chain)
	5GHz: Max. 18dBm (per chain)
Security	WPA2-PSK
Antenna	Dual Band Antennas (3EA, In-built)

### 2.2.6 Use Environment

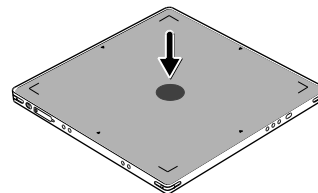
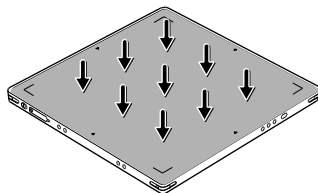
Item	Operation	Storage & Transportation
Temperature	+10 ~ +35°C	-15 ~ +55°C
Humidity	30 ~ 85% (Non-condensing)	10 ~ 90% (Non-condensing)
Atmospheric pressure	700 ~ 1060 hPa	500 ~ 1060 hPa
Shock	1.6G	20G
Vibration	0.7G	0.7G



- The use environment of a detector and SCU is same.

#### Load Limit of Detector

Uniform load	Local load
Over the whole surface	Center diameter 40 mm
Max. 300 kg	Max. 150 kg



- Do not let the patient or object heavier than load limit be on the detector. Then, detector can be damaged.
- Do not let the patient lie or get on the detector. Internal devices such as a sensor can be seriously damaged even if his/her weight is within the load limit.

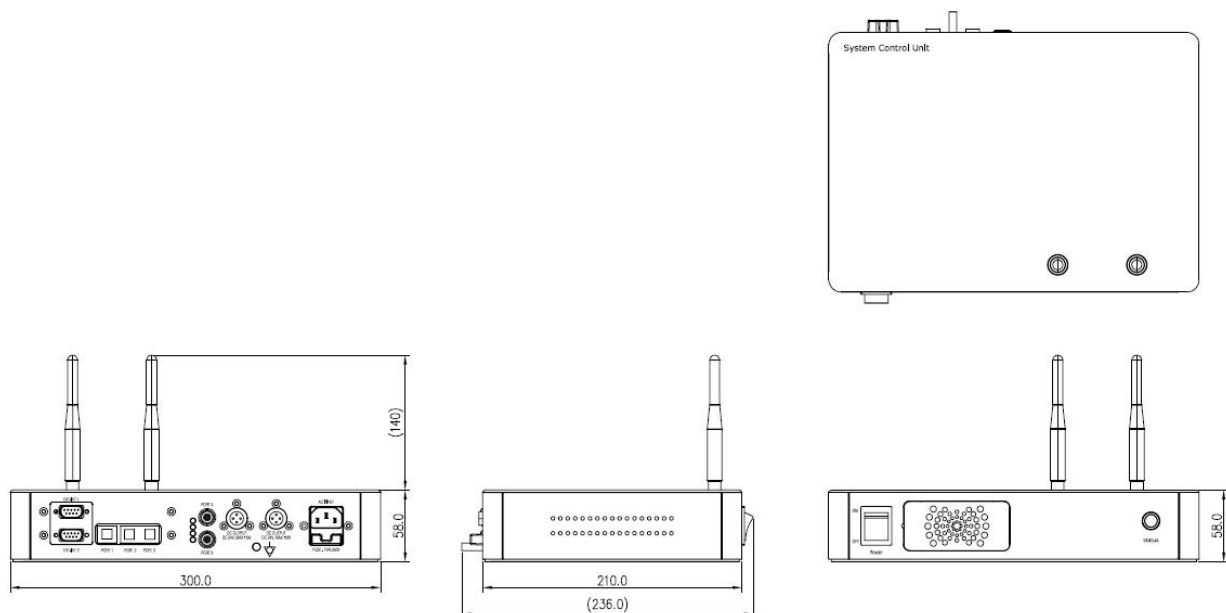
## 2.3 SCU Basic (FXRS-03A)

SCU Basic synchronizes the image and X-ray signal as locating among the detector, workstation and the X-ray generator. You can use the SCU Basic directly when the power supplies to SCU Basic after connecting it under the **VIVIX-S 1417N** system environment

### 2.3.1 Specifications

Item	Specifications
<b>Model</b>	<ul style="list-style-type: none"> <li>FXRS-03A</li> </ul>
<b>Power supply</b>	<ul style="list-style-type: none"> <li>Input: AC100 to 240V, 50/60Hz, Max. 2.0-0.8A</li> <li>Output: DC +24V 3.25A, 78W</li> </ul>
<b>Cable connection port</b>	<ul style="list-style-type: none"> <li>Gigabit Ethernet port (3EA)</li> <li>PoE (Power over Ethernet) Port (2EA)</li> </ul>
<b>Wireless communication</b>	<ul style="list-style-type: none"> <li>IEEE 802.11n (2.4 GHz / 5 GHz)</li> </ul>
<b>Dimension (H × W × D)</b>	<ul style="list-style-type: none"> <li>236.0 mm × 300.0 mm × 58.0 mm</li> </ul>
<b>Antenna</b>	<ul style="list-style-type: none"> <li>140 mm (2EA, Dual band)</li> </ul>
<b>Weight</b>	<ul style="list-style-type: none"> <li>2.8 kg</li> </ul>

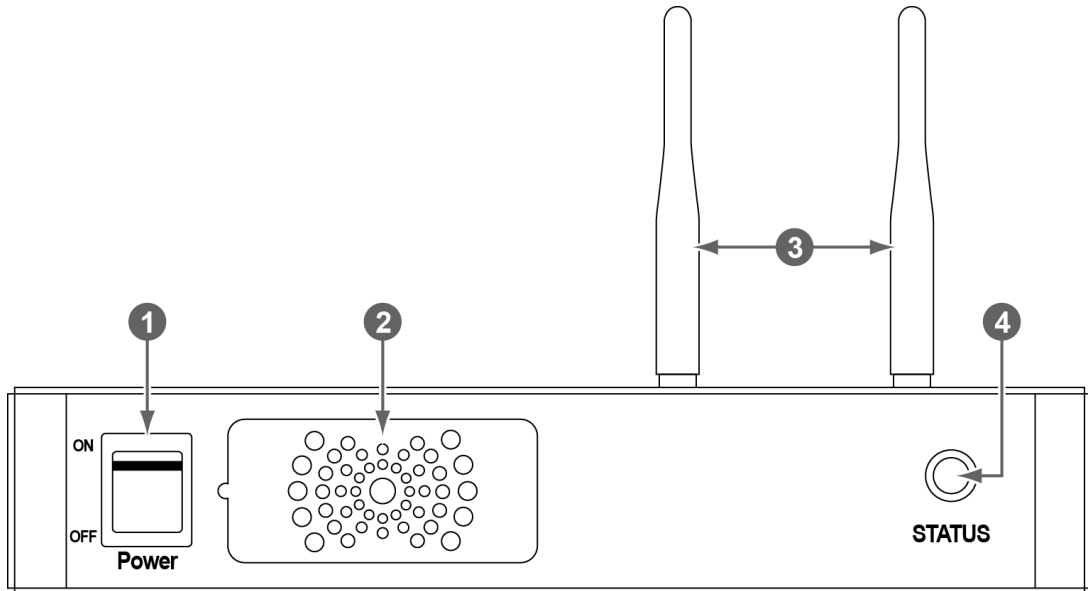
### 2.3.2 Drawing Sheet





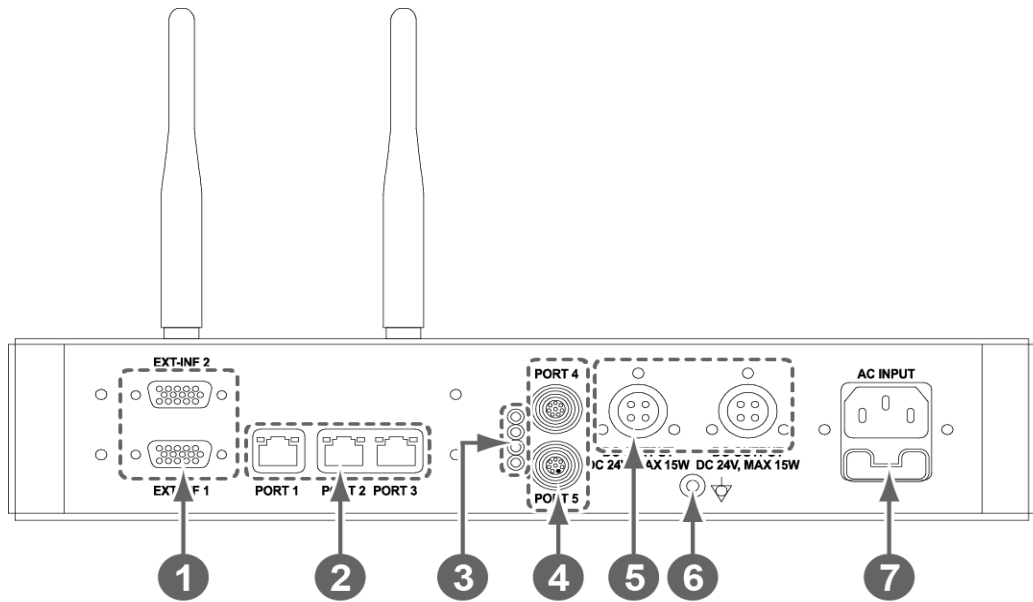
### 2.3.3 Functions

#### Front Side



No.	Name	Description
1	<b>Power switch</b>	Turns on/off the power of SCU Basic. (Including Green LED Lamp)
2	<b>Fan</b>	Expels the air which flows into the SCU Basic.
3	<b>Antenna</b>	Assists communications between the detector and SCU Basic.
4	<b>Status LED</b>	Indicates the operation and connection status of SCU Basic. <ul style="list-style-type: none"> <li>• Blinking green: Booting</li> <li>• Green: Completed to boot up</li> <li>• Blue: The software is connected and ready to communicate.</li> </ul>

Rear Side



No.	Name	Description
1	EXT_INF1 EXT_INF2	X-ray generator interface connector (D-SUB 15 pins x 2 EA, Female) <ul style="list-style-type: none"> <li>• <b>EXT_INF1</b> : 1 ~ 15</li> <li>• <b>EXT_INF2</b> : 16 ~ 30</li> </ul>
2	LAN port (Port 1, 2, 3)	Gigabit Ethernet port (1000BASE-T) <ul style="list-style-type: none"> <li>• <b>Port 1</b>: Communicates between workstation and SCU Basic.</li> <li>• <b>Port 2, 3</b>: Communicates between <b>FXRD-1717S</b> detector and SCU Basic when configuring multiple detectors.</li> </ul>
3	PoE status lamp	Indicates the status of <b>PoE</b> port (Port 4, Port 5) <ul style="list-style-type: none"> <li>• Green: 1 Gbps</li> <li>• Orange: 100 Mbps</li> </ul>
4	PoE port (Port 4, 5)	<b>PoE</b> (Power over Ethernet) port (1000BASE-T) <ul style="list-style-type: none"> <li>• Communicates between the detector and SCU Basic.</li> <li>• Supplies power to the detector.</li> </ul>
5	Detector power supply port	Max. DC +24V/15W (2 ports) <ul style="list-style-type: none"> <li>• For <b>FXRD-1717S</b> detector only.</li> </ul>
6	P.E	Equipotential ground
7	AC input port	T2AL250V fuse (2 EA) <ul style="list-style-type: none"> <li>• 100 ~ 240V</li> <li>• 50/60Hz</li> <li>• Supplies power to SCU Basic.</li> </ul>



- The P.E (Potential Equalization) port of SCU is used to maintain potential equalization between SCU and another grounded system. Use the conductor that can be detached without the use of a tool.

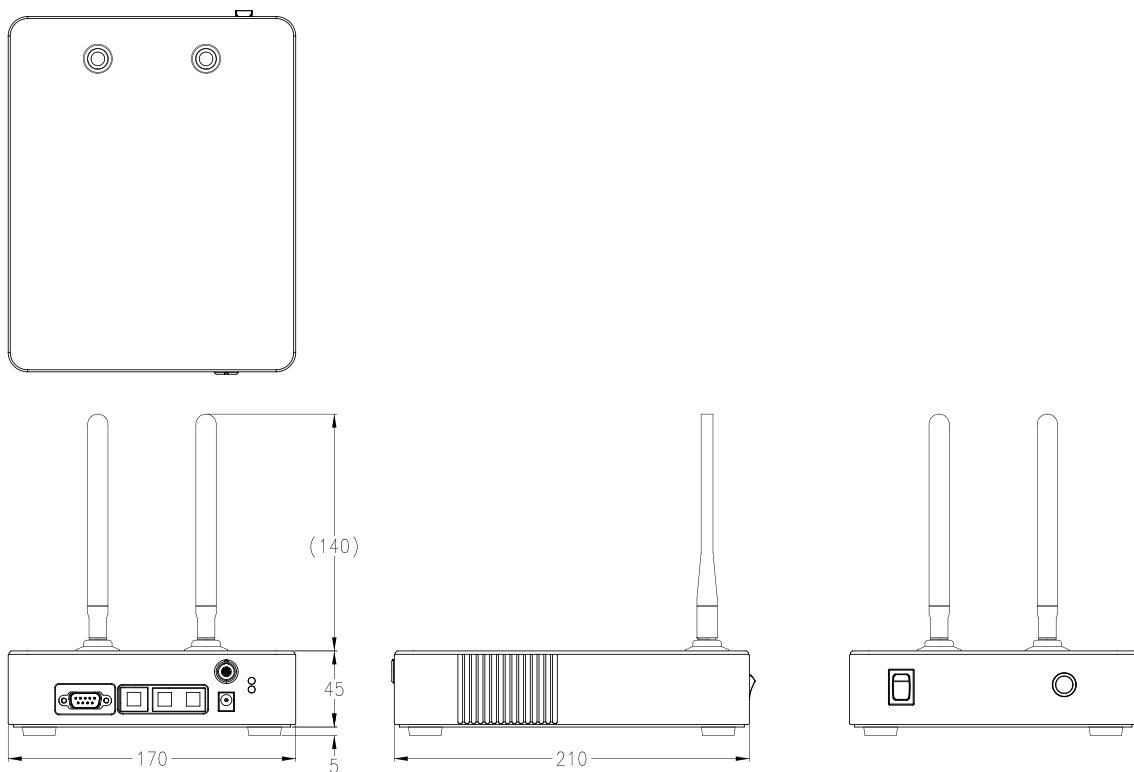
## 2.4 SCU mini (FXRS-04A)

SCU mini synchronizes the image and X-ray signal as locating among the detector, workstation and the X-ray generator. You can use the SCU mini directly when the power supplies to SCU mini after connecting it under the **VIVIX-S 1417N** system environment

### 2.4.1 Specifications

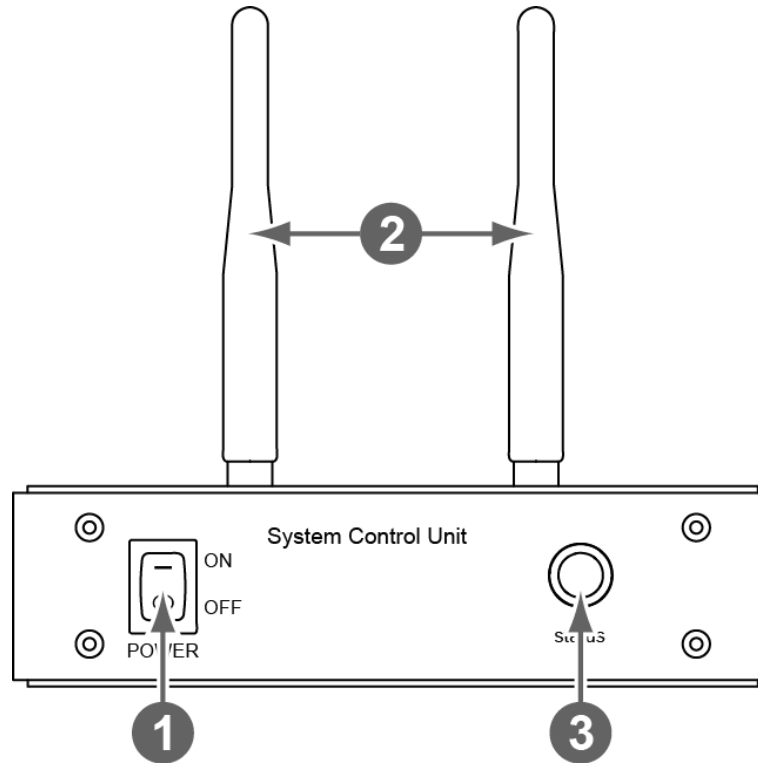
Item	Specifications
<b>Model</b>	• FXRS-04A
<b>Power supply</b>	• Input: DC +24V 2A Max
<b>Cable connection port</b>	• Gigabit Ethernet port (3EA) • PoE (Power over Ethernet) Port (1EA)
<b>Wireless communication</b>	• IEEE 802.11n (2.4 GHz / 5 GHz)
<b>Dimension (H × W × D)</b>	• 210.0 mm × 170.0 mm × 45.0 mm
<b>Antenna</b>	• 140 mm (2EA, Dual band)
<b>Weight</b>	• 1.2kg

### 2.4.2 Drawing Sheet



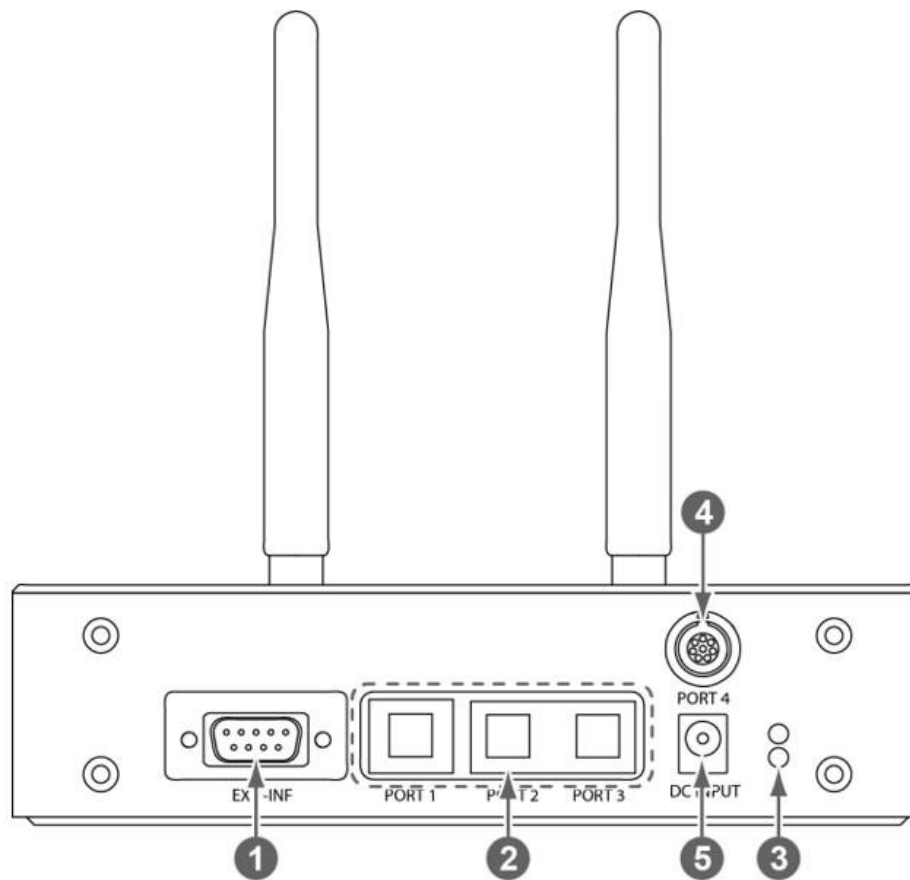
### 2.4.3 Functions

#### Front Side



No.	Name	Description
1	<b>Power switch</b>	Turns on/off the power of SCU mini.
2	<b>Antenna</b>	Assists communications between the detector and SCU mini.
3	<b>Status LED</b>	Indicates status of SCU mini operation and connection. <ul style="list-style-type: none"> <li>• Blinking green: Booting</li> <li>• Green: Completed to boot up</li> <li>• Blue: The detector is connected and ready to communicate.</li> </ul>

## Rear Side



No.	Name	Description
1	EXT_INF	X-ray generator interface connector (D-SUB 15pin, Female)
2	LAN port (Port 1, 2, 3)	Gigabit Ethernet port (1000BASE-T) <ul style="list-style-type: none"> <li>• <b>Port 1</b>: Communication between the workstation and SCU mini.</li> <li>• <b>Port 2, 3</b>: Communication between <b>FXRD-1717S</b> detector and SCU mini when configuring multiple detectors.</li> </ul>
3	PoE status lamp	Indicats the status of <b>PoE</b> port. <ul style="list-style-type: none"> <li>• Green: 1 Gbps</li> <li>• Orange: 100 Mbps</li> </ul>
4	PoE port	<b>PoE</b> (Power over Ethernet) port (1000BASE-T) <ul style="list-style-type: none"> <li>• Communication between the detector and SCU mini.</li> <li>• Supplies power to the detector.</li> </ul>
5	DC power input port	DC +24V <ul style="list-style-type: none"> <li>• Supplies power to SCU mini.</li> </ul>

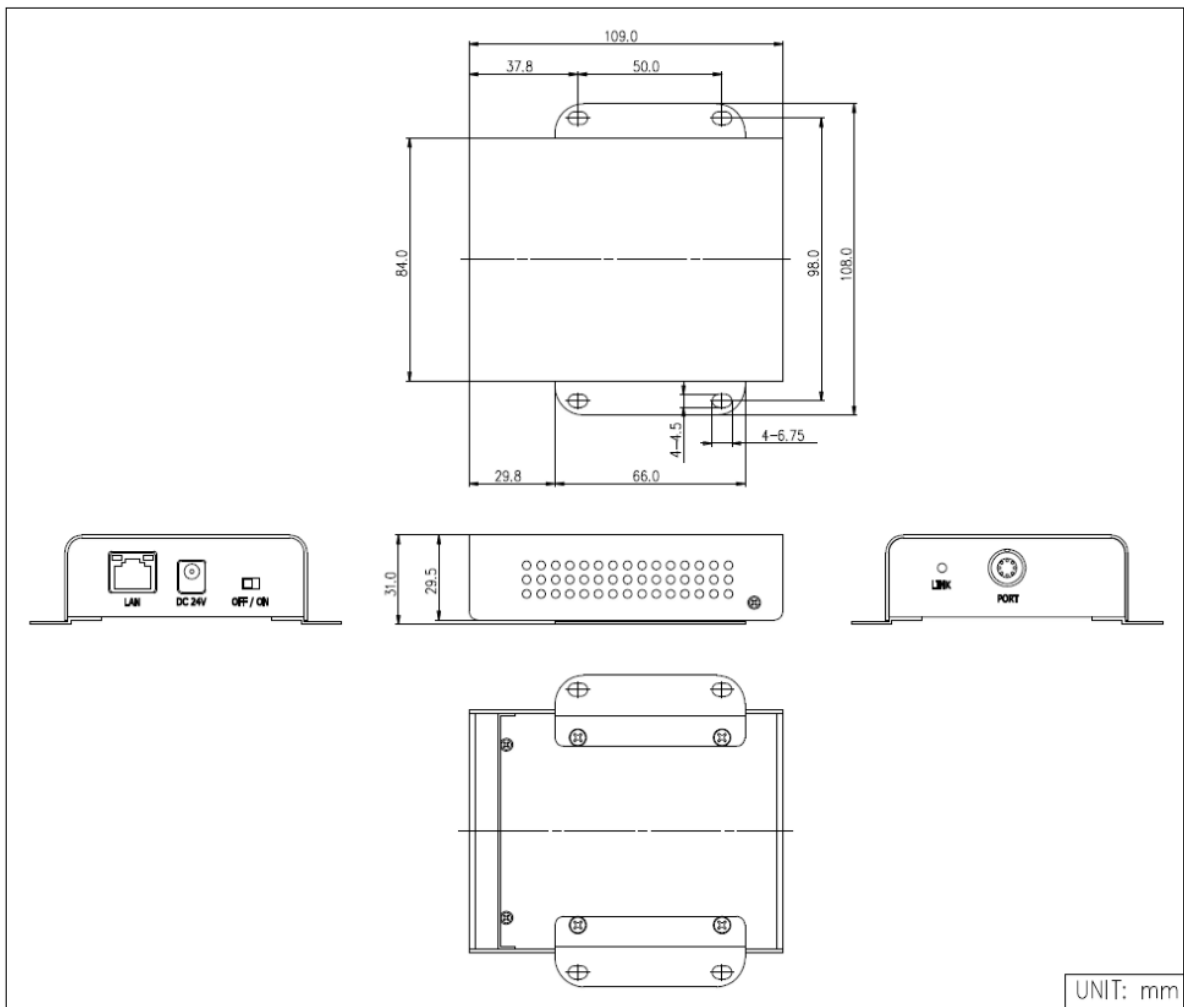
## 2.5 SCU Lite (FXRP-02A)

SCU Lite synchronizes the image and X-ray signal as locating between the detector and the workstation. You can use the SCU Lite directly when the power supplies to SCU Lite after connecting it under the **VIVIX-1417N** system environment.

### 2.5.1 Specifications

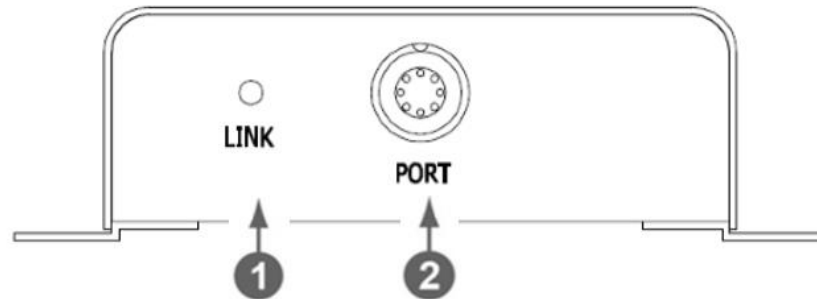
Item	Specifications
Model	• FXRP-02A
Power supply	• Input: DC +24V 1.0A Max.
Cable connection port	• Gigabit Ethernet port (1EA) • PoE (Power over Ethernet) Port (1EA)
Dimension (H × W × D)	• 108 mm × 109 mm × 29.5 mm
Weight	• 330g

### 2.5.2 Drawing Sheet



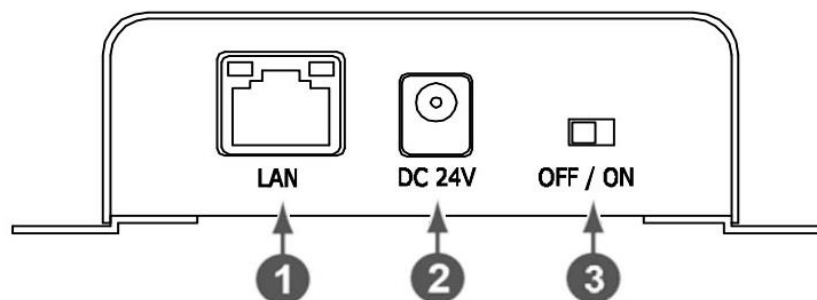
## 2.5.3 Functions

### Front Side



No.	Name	Description
1	LINK LED	Indicates the status of <b>PoE</b> port. <ul style="list-style-type: none"> <li>• Green : 1 Gbps</li> <li>• Yellow : 100 Mbps</li> </ul>
2	POE Port	<b>PoE</b> (Power over Ethernet) port (1000BASE-T) <ul style="list-style-type: none"> <li>• Communication between the detector and SCU Lite.</li> <li>• Supplies power to the detector.</li> </ul>

### Rear Side



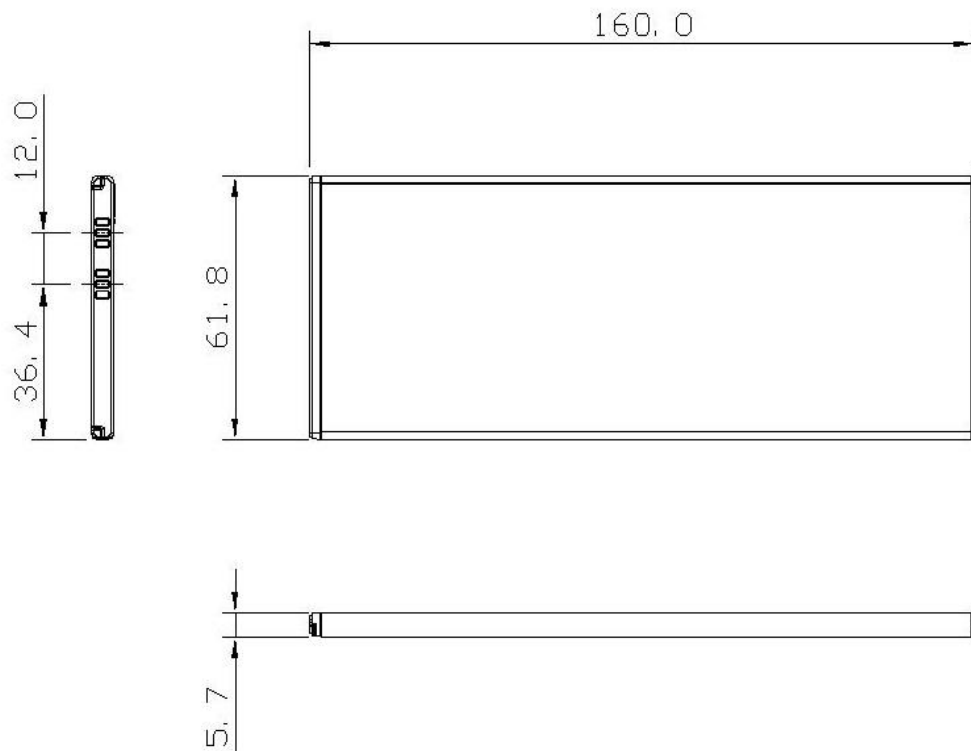
No.	Name	Description
1	LAN port	Gigabit Ethernet port (1000BASE-T) <ul style="list-style-type: none"> <li>• Communication between the workstation and SCU Lite.</li> </ul>
2	DC power input port	DC +24V <ul style="list-style-type: none"> <li>• Supplies power to SCU Lite.</li> </ul>
3	Power Switch	Turns on/off the power of SCU Lite.

## 2.6 Battery Pack

### 2.6.1 Specifications

Item	Specifications
Model	FXRB-03A
Type	Lithium Ion
Rated Power Supply	Output: DC +7.6V
Capacity	3,100mAh
Number of cell	2S1P (2 Series 1 Parallel)
Operation Time	3 hours (when sleep mode is off)
Cycle Life	Approx. 500 times (Fully charged/Discharged completely, 1cycle)
Dimension (H × W × D)	160.0 mm × 61.8 mm × 5.7 mm
Weight	115g

### 2.6.2 Drawing Sheet



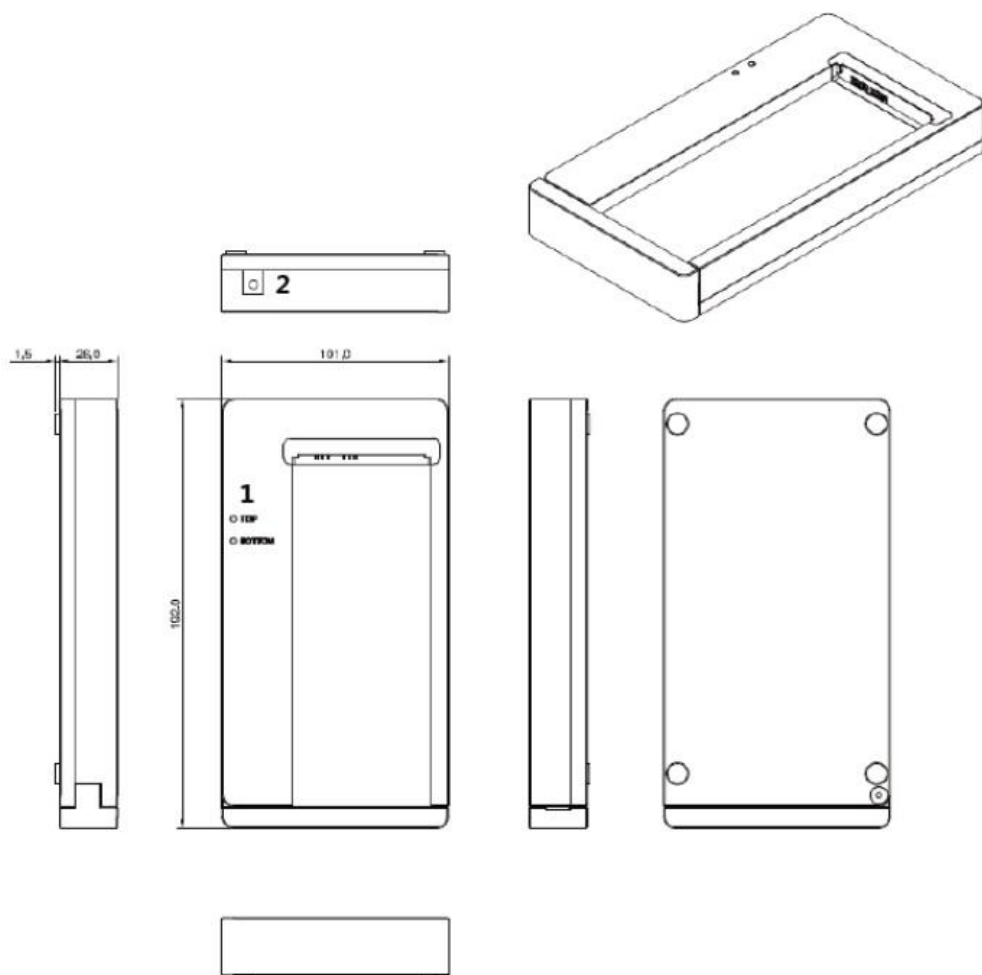


## 2.7 Battery Charger (FXRC-02A)

### 2.7.1 Specifications

Item	Specifications
Model	FXRC-02A
Simultaneous Charging	2 battery packs
Charging time	2 1/2 hours
Rated power supply	DC +24V, 2A Max.
Dimension (H × W × D)	192.0mm × 101.0mm × 26.0mm
Weight	0.8 kg

### 2.7.2 Drawing Sheet



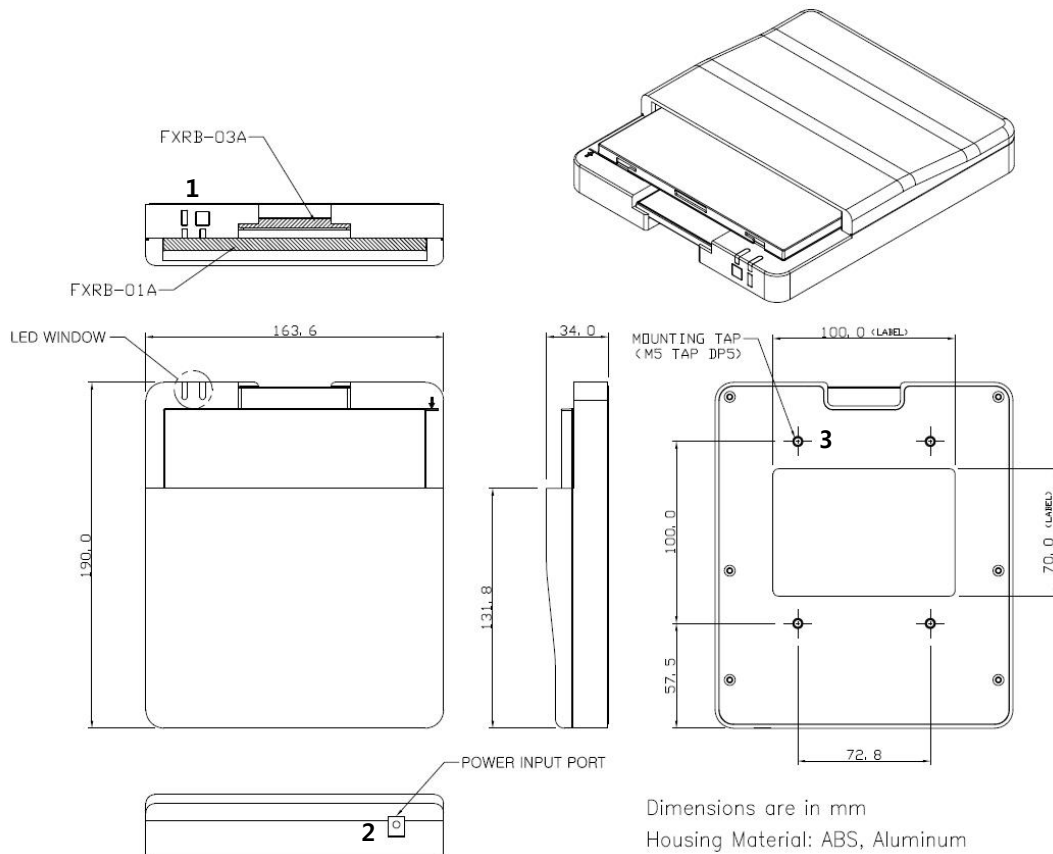
No.	Name	Description
1	Top / Bottom LED	Indicates the location and status of a battery pack being charged.
2	Power input port	Supplies electric power by connecting a power adapter to the charger.

## 2.8 Battery Charger (FXRC-03A)

### 2.8.1 Specifications

Item	Specifications
Model	FXRC-03A
Simultaneous Charging	2 battery packs (FXRB-01A (1ea) / FXRB-03A (1ea))
Charging time	FXRB-01A: 3 hours FXRB-03A: 2 1/2 hours
Rated power supply	DC +24V, 2A Max.
Dimension (H × W × D)	163.6 mm × 190 mm × 34.0 mm
Weight	0.5 kg

### 2.8.2 Drawing Sheet



No.	Name	Description
1	LED Window	Indicates the location and status of a battery pack being charged. <div style="display: flex; align-items: center; gap: 5px;"> <div style="width: 15px; height: 15px; border: 1px solid black; margin-right: 5px;"></div> : FXRB-03A  <div style="width: 15px; height: 15px; border: 1px solid black; margin-right: 5px;"></div> : FXRB-01A                 </div>
2	Power input port	Supplies electric power by connecting a power adapter to the charger.
3	Mounting hall	Screw holes for fixing the charger to the external device. (M5 x 8)

## 2.9 Others

### 2.9.1 X-ray Generator (Recommended Exposure Condition)

Item	Recommended condition
X-ray energy range	<ul style="list-style-type: none"> <li>• 40kVp ~ 150kVp</li> </ul>
Reliability (Lifetime Dose)	<ul style="list-style-type: none"> <li>• 100Gy</li> </ul>

### 2.9.2 Recommended Specifications of Workstation (PC)

Item	Recommended specification
Operating System	<ul style="list-style-type: none"> <li>• VIVIX Setup               <ul style="list-style-type: none"> <li>▫ Microsoft Windows 7 (32bit / 64bit)</li> <li>▫ Microsoft Windows 7 64bit SP1 (Professional Edition or higher)</li> <li>▫ Microsoft Windows Vista Service pack 1 or higher (32bit / 64bit)</li> <li>▫ Microsoft Windows 8 (32bit / 64bit) / 8.1 64bit SP1 (Professional Edition or higher)</li> <li>▫ Microsoft Windows 10 (32bit / 64bit)</li> </ul> </li> </ul>
CPU	Intel Core i5 2600 or higher (or compatible CPU)
Memory	4GB or higher
Hard Disk	1TB or higher
LAN Card (only for detector communication)	<ul style="list-style-type: none"> <li>• Gigabit (for detector only)</li> <li>• Intel® PRO 1000 Series (Gigabit LAN Card for network interface)</li> <li>• Min.requiremetns               <ul style="list-style-type: none"> <li>▫ Speed: 1Gbps or more</li> <li>▫ Jumbo Frames: 9K</li> </ul> </li> <li>• Receive Descriptors: 2K (1024 or higher)</li> </ul>
Monitor	1024 x 768 or more
CD-ROM	CD or DVD R/W

### 2.9.3 Recommended Specifications of Grid

Item	Recommended specification
SID	100cm / 130cm / 150cm / 180cm
Ratio	8.1 / 10:1 / 12:1
Frequency	215 line/inch



- Check the recommended specifications by Vieworks first before buying the generator, workstation and grid.

---

## 3. System Configuration

---

This section gives information about the various connection / configuration ways among the detector, SCU, workstation and X-ray generator.

You can figure out the most suitable way of system configuration through this instruction.

Detector Connection Methods

Diagram

System Configuration

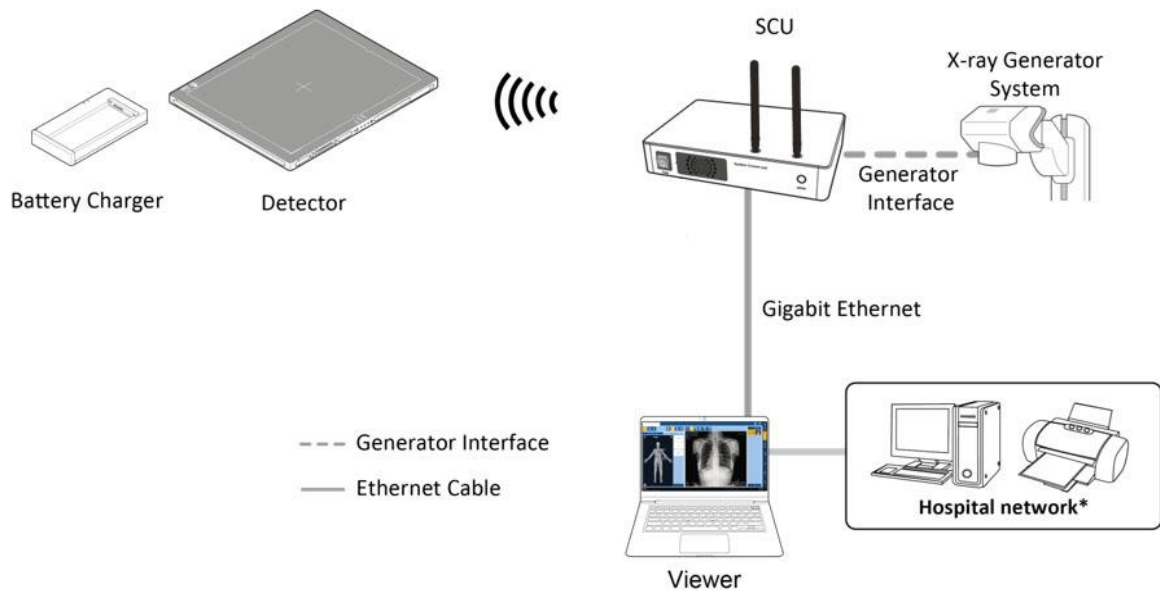
Generator Interface

Configuring DR Trigger Interface

### 3.1 Detector Connection Methods

You can organize wired or wireless connection between the **VIVIX-S 1417N** detector and **SCU**. You can also choose other connection ways suitable for the use environment in case of need.

#### 3.1.1 Wireless Connection



- The images and data are transmitted between the **VIVIX-S 1417N** detector and SCU by wireless connection.
  - A battery pack should be installed in the detector to use it under the wireless configuration.

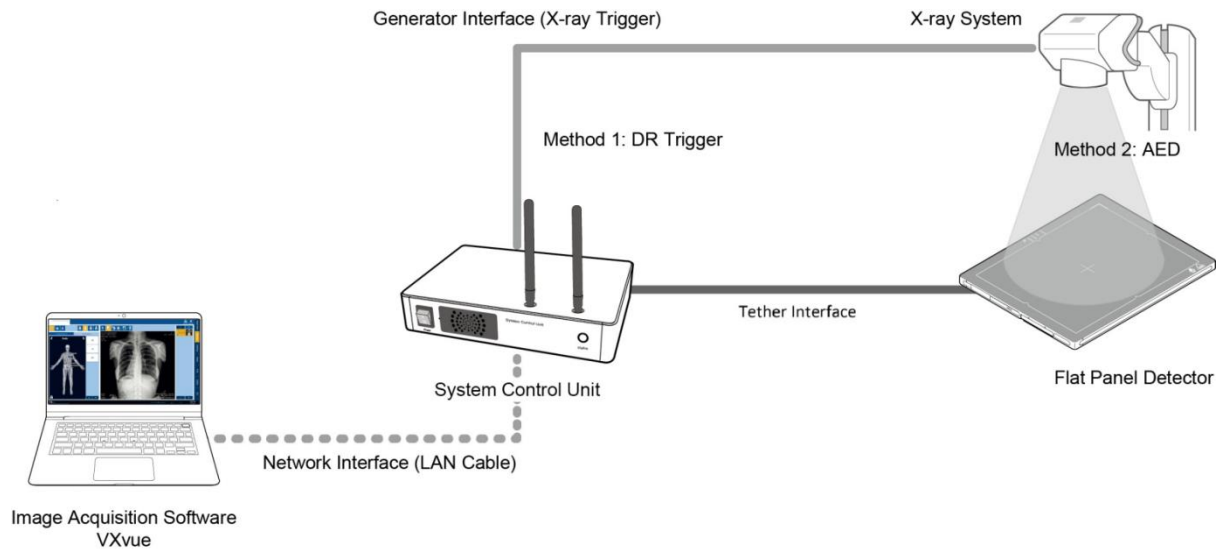


- We recommend you to use the wireless connection method for the following cases.
  - When using the unfixed detector.
  - When the wired communication is in trouble by the interruption of cables.
- The wireless connection is more freely to operate than the wired connection.
- Use the wireless connection with a laptop computer to enhance mobility.



- Be sure to operate the wireless communication between the detector and SCU within a maximum of **8m**.
- Use of multiple WLAN devices within the same frequency band may interfere with each wireless communication and cause a decline in transmission speed.
- Do not cover or block the wireless module of the detector. Also, do not put any shielding materials between the detector and SCU. Otherwise, the transmission speed or operable distance may be reduced.

### 3.1.2 Wired Connection



- Connect **VIVIX-S 1417N** detector and SCU with a tether interface cable to make a wired configuration.
  - As the tether interface cable supplies power to the detector, a battery pack is not needed to be installed in the detector.

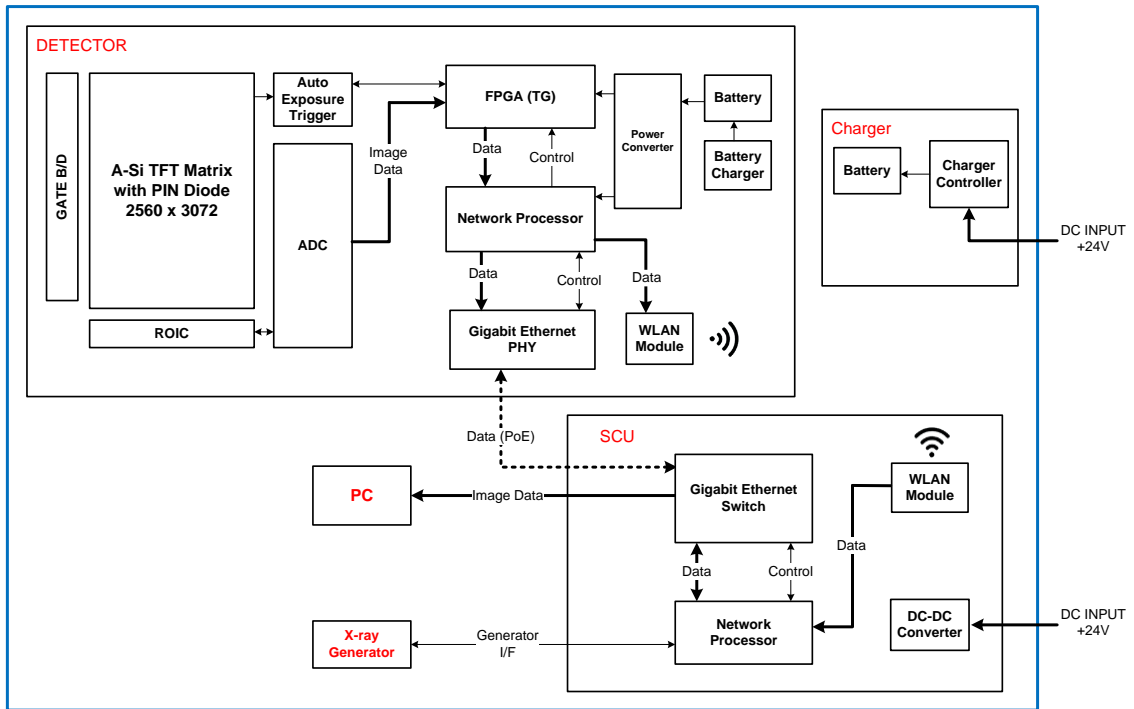


- We recommend you the wired connection method for the following cases.
  - When continuous power supply to the detector is needed.
  - When the detector is fixed in a bucky stand or on a table.
  - When you upgrade the detector firmware or change the inner configural information.
  - When you need the data communication to be faster than the wireless connection.
- A battery pack in the detector is kept charging under the wired connection.
  - When two batteries are installed in the detector, one battery is fully charged first and the remaining battery is charged continuously.
- The wireless communication module of the detector maintains its inactivation status under the wired connection.

### 3.2 Diagram

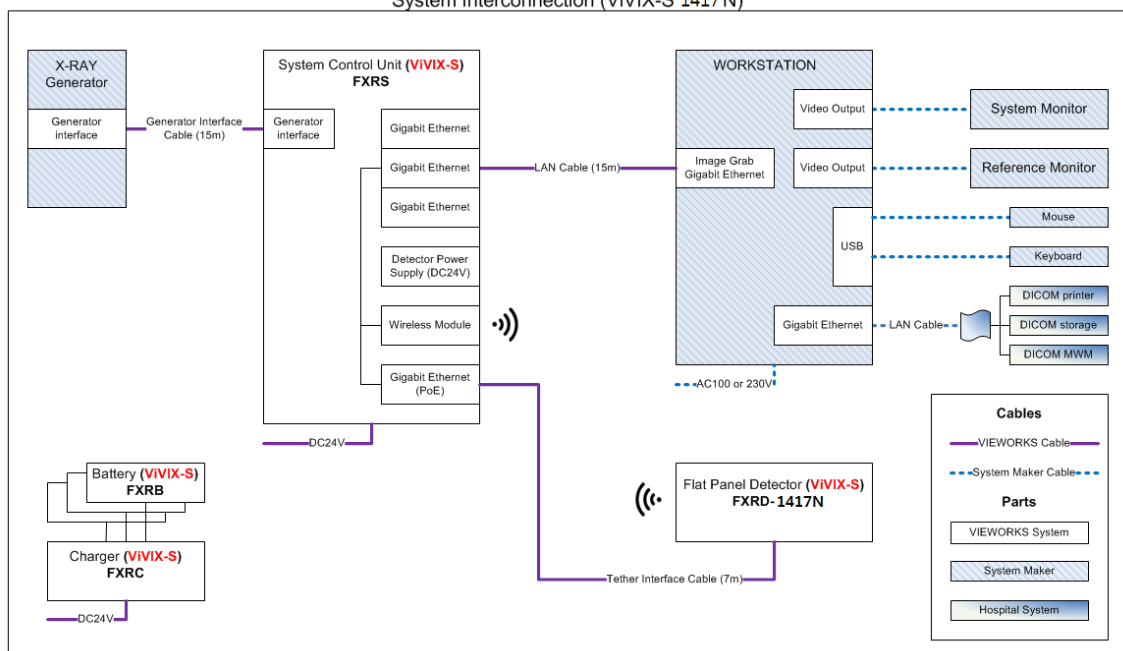
#### 3.2.1 Block Diagram

**VIVIX-S 1417N Block Diagram**



#### 3.2.2 Wiring Diagram

System Interconnection (VIVIX-S 1417N)

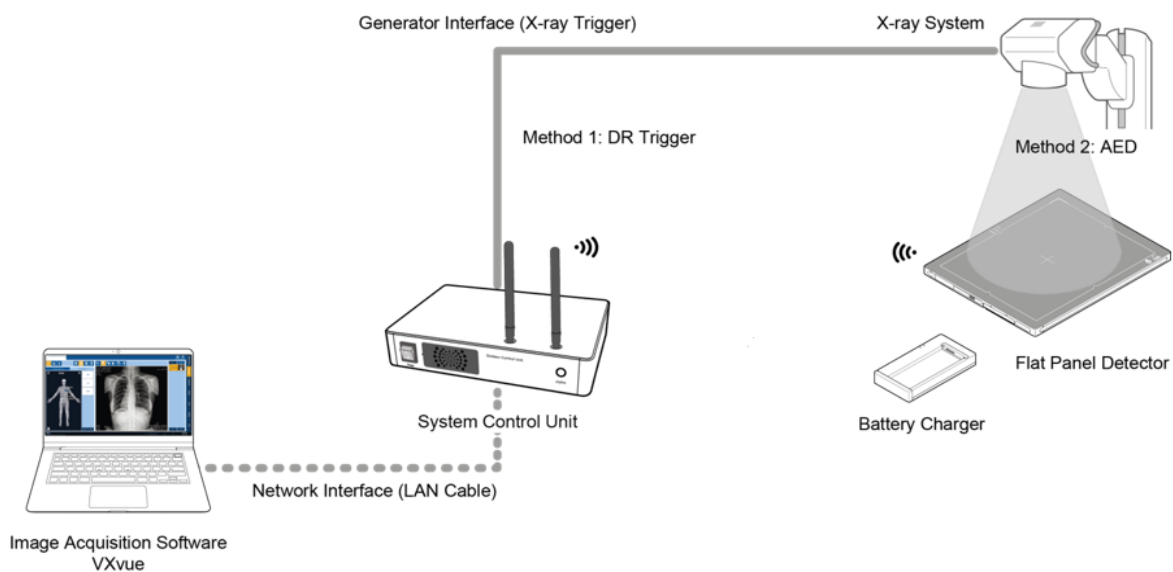


### 3.3 System Configuration

This section gives information about the configuration modes of **VIVIX-S 1417N** detector, SCU, workstation and the generator.

#### 3.3.1 AP Mode (SCU AP Mode)

SCU AP mode is the wireless connection method that connecting the detector with SCU as the center wirelessly. If the device is connected on AP mode, Wi-fi function is turned on. Wireless function is turned off if the device is connected on Tether Interface Mode as it is a wired connection mode.



#### SCU & Detector

- The **VIVIX-S 1417N** detector and SCU are connected wirelessly. In this case, SCU and the detector operate as **AP** (Access Point) and **STATION** respectively.

#### SCU & PC (Workstation)

- SCU and PC (Workstation) are connected with the LAN cable.



- It is available to connect SCU and PC wirelessly. In this case, SCU and the detector operate as **AP** (Access Point) and **STATION** respectively.

#### SCU & Generator

- SCU and the generator can be connected with the generator interface cable.

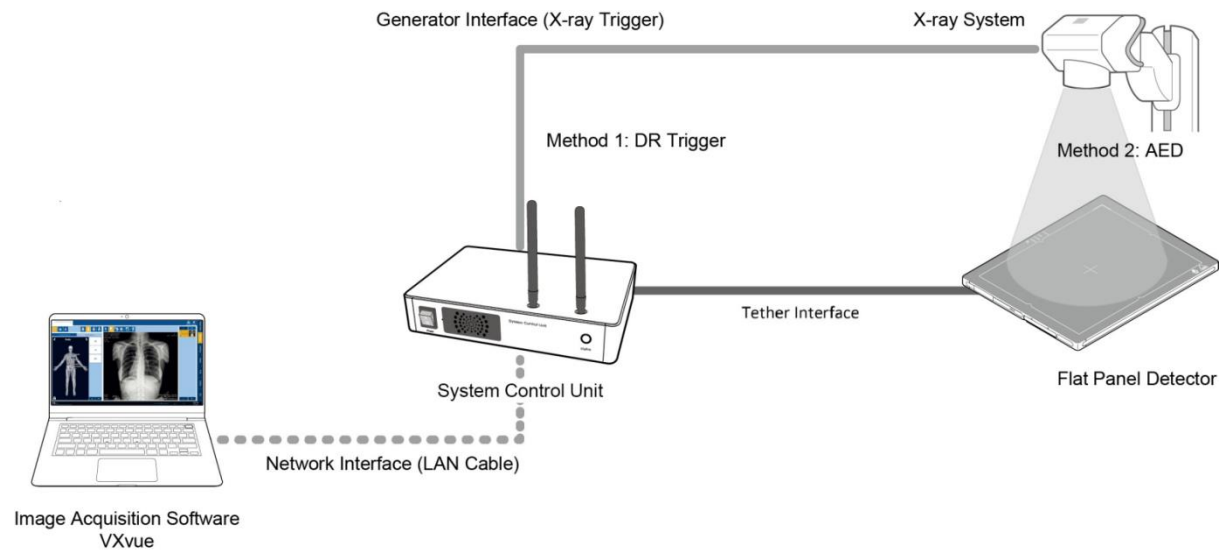


- It is unnecessary to connect SCU and the generator with a generator interface cable if you use AED mode of the detector.



### 3.3.2 Tether Interface Mode

Tether interface mode is the wired connection method that connecting the detector with SCU as the center.



#### SCU & Detector

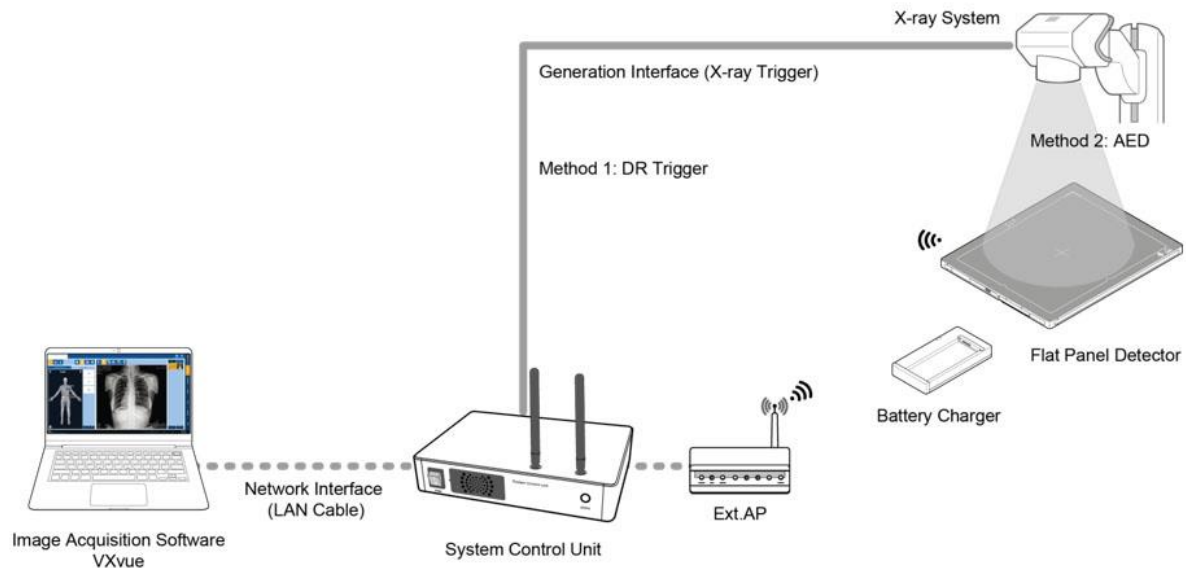
- SCU and the **VIVIX-S 1417N** detector are connected with the tether interface cable.



- Other connection ways of the tether interface mode are the same as the AP mode.

### 3.3.3 External AP Mode

External AP mode is the wireless connection method that adding the external AP device instead of SCU.



#### External AP & SCU

- The external AP and SCU are connected with a LAN cable.

#### External AP & Detector

- The external AP and **VIVIX-S 1417N** detector are connected wirelessly. In this case, the external AP and the detector operate as **AP** (Access Point) and **STATION** respectively.



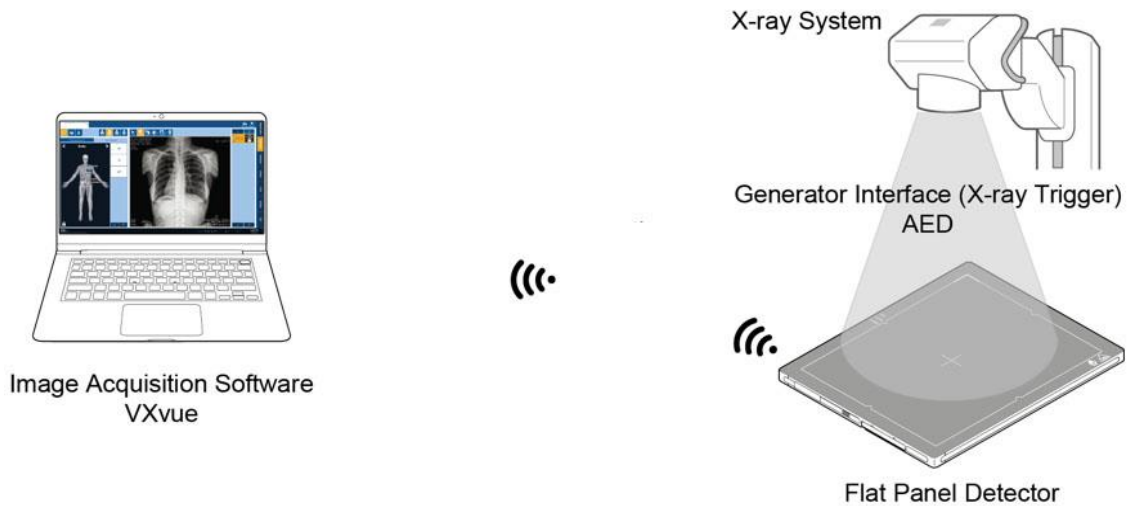
- Other connection ways of the tether interface mode are the same as the AP mode.



- Be sure to check the specifications of external AP device when configuring the external AP mode, since the wireless communication performance can be different by the specifications.

### 3.3.4 Detector AP Mode

Detector AP mode is the wireless connection method that connecting the PC (Workstation) with the detector as the center wirelessly.



#### Detector & PC (Workstation)

- The **VIVIX-S 1417N** detector and PC are connected wirelessly. In this case, the detector and the PC operate as **AP** (Access Point) and **STATION** respectively.



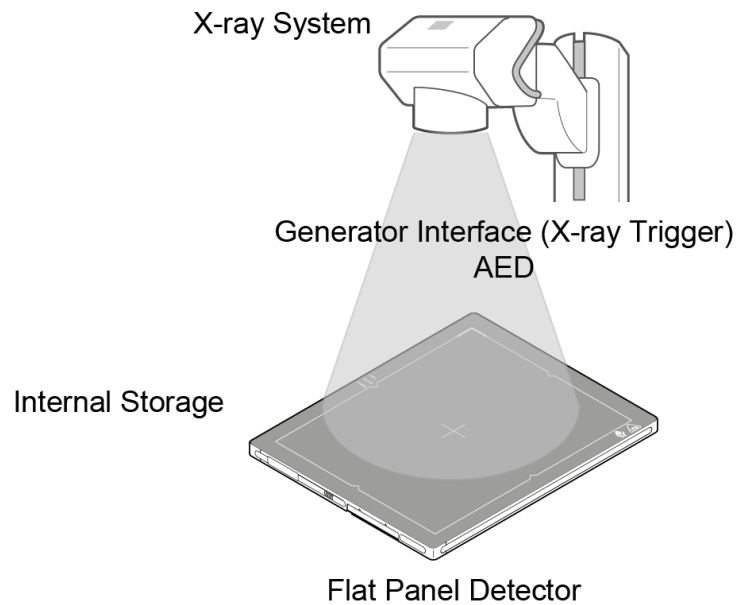
- Since SCU is not used for configuring the detector AP mode, you can only use the **AED** mode without a wired connection. (Cannot use the **DR Trigger** mode.)
- This mode can be used when mobility and portability are needed.



- When configuring the detector AP mode, be sure to check the specifications of wireless module installed in the PC. The wireless communication performance can be different depending on the specifications of the wireless module.
- If the wireless connection cannot be made normally because of unexpected problems, SCU can be needed to check the detector condition.

### 3.3.5 Detector Stand-Alone Mode

You can use the **Stand-Alone** mode without making a wired or wireless connection.



- You should take images with the **AED** mode only when using the **Stand-Alone** mode. (Cannot use the **DR Trigger** mode.)
- The acquired images are stored in the internal storage of the detector in order and the images can be transmitted to the PC after connecting the detector to the PC.
- The transmitted images are removed automatically from the detector.

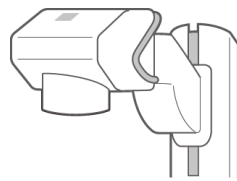
## 3.4 Generator Interface

VIVIX-S 1417N detector provides **AED** and **DR Trigger** interface as a generator interface way to acquire images by detecting X-ray.

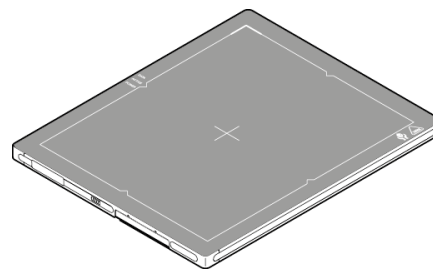
Mode	Description
<b>AED</b>	The detector detects X-ray exposure from the generator automatically and then performs image acquisition without any cable connection.
<b>DR Trigger</b>	<p>The detector and generator receive and send their signal to each other for image acquisition.</p> <ul style="list-style-type: none"> <li>• SCU and X-ray generator should be connected with the generator interface cable.</li> <li>• DR Trigger interface is not supported in case you connect SCU Lite FXRP-02A) with the X-ray generator.</li> </ul>

### 3.4.1 AED (Auto Exposure Detection) Interface

If the **VIVIX-S 1417N** detector is used as the **AED** interface, you can acquire images without connecting the generator to the detector with a generator interface cable.



X-ray Generator System



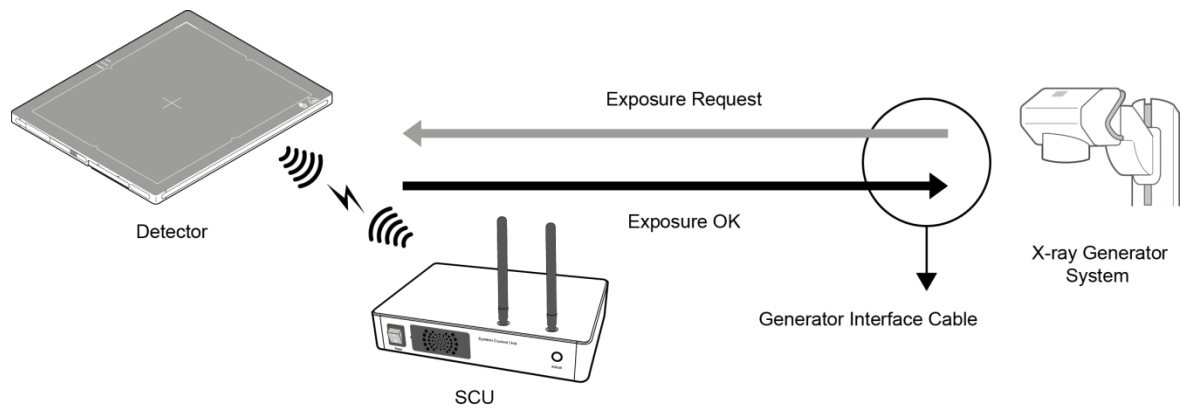
#### Cautions when using AED interface



- Make sure to follow the operating environmental condition (Temp: +10°C ~ +35°C).
- Do not give impact to the product. If it receives strong jolt, unwanted images may be acquired without the X-ray exposure because of the malfunction of the **AED** sensor.
- You may not acquire images or horizontal artifacts may occur depending on the external environment such as exposure condition, thickness of object or the use of grid.
- When you set X-ray exposure area to the direction of the detector, the center of the detector should be involved in the X-ray exposure area. Otherwise, you may not acquire an image.

### 3.4.2 DR Trigger Interface

Connect the detector and X-ray generator with a generator interface cable, and then acquire images by sending and receiving their signal.



#### Signal Processing Steps

- 1 The detector receives **EXP\_REQ** signal from the X-ray generator.
- 2 After the detector completes to prepare image acquisition, it sends the **EXP\_OK** signal to the X-ray generator.
- 3 The X-ray generator confirms **EXP\_OK** signal and generates X-rays.
- 4 The detector acquires images and then transmits the image data.



- **EXP\_REQ** is a sending signal from X-ray generator to the detector for requesting exposure.
- **EXP\_OK** is an exposure ready signal from the detector to X-ray generator.

### 3.5 Configuring DR Trigger Interface

To configure the **DR Trigger** interface, SCU and the generator should be connected with a generator interface cable. Connect the one end of generator interface cable to **EXT\_INF** port of SCU, and then connect the other end to the generator.



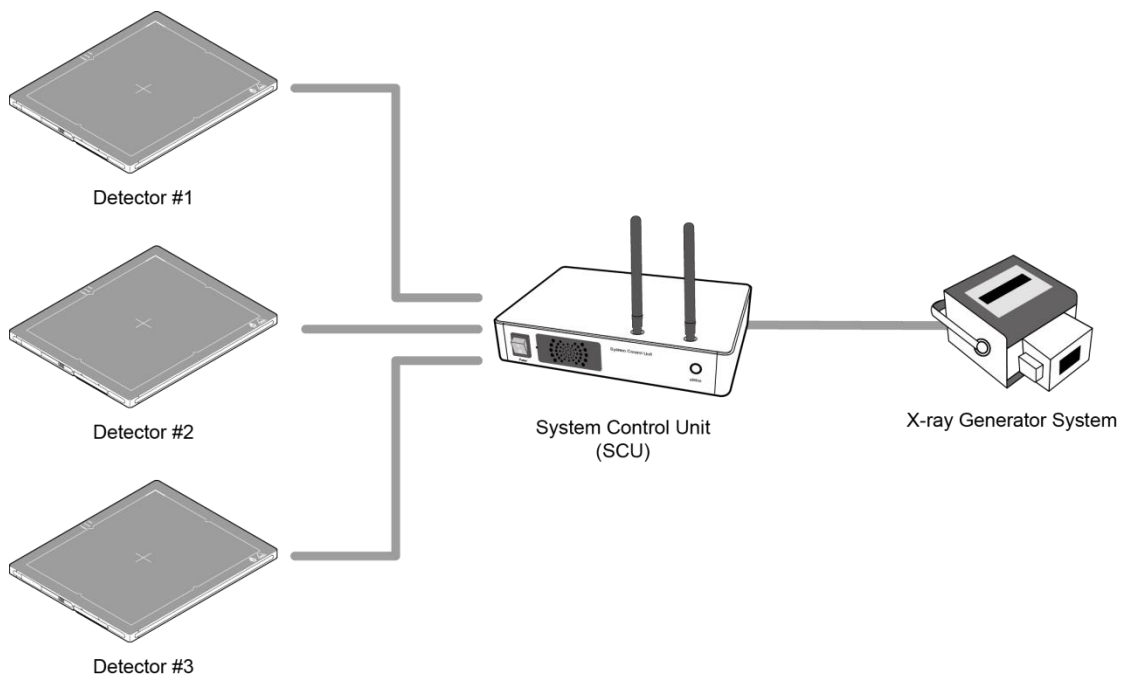
- Up to three generators can be connected with SCU Basic.
- Only a single generator can be connected with SCU mini.

#### 3.5.1 Trigger Interface Way

The generator interface cable is connected differently depending on the trigger interface ways.

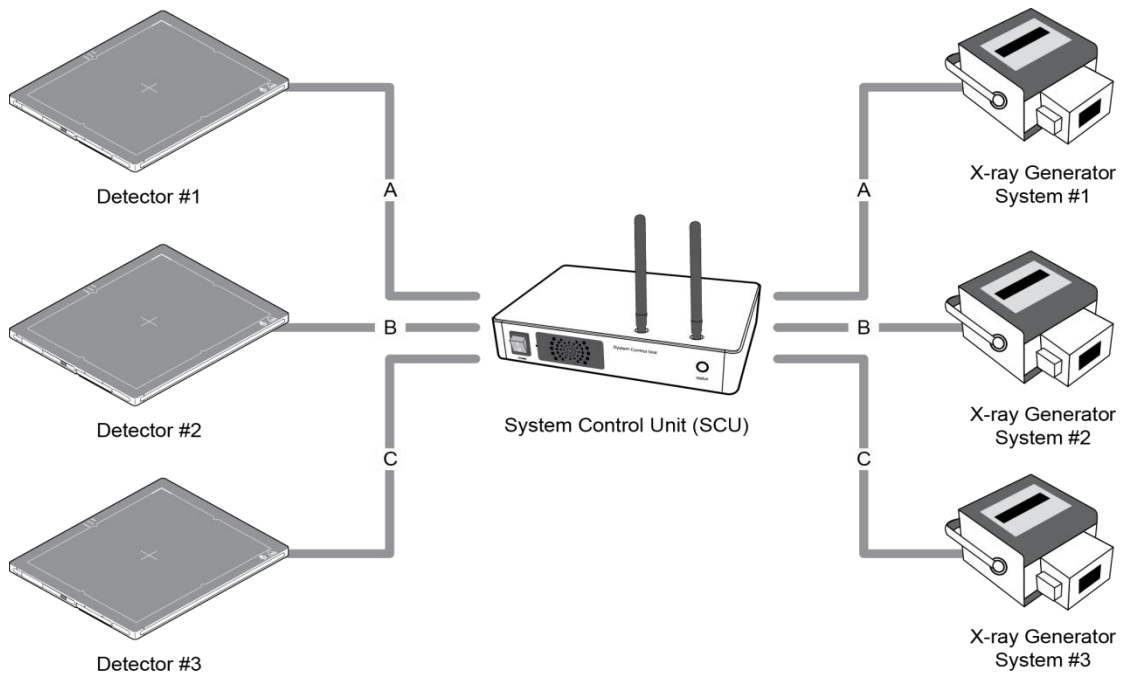
Trigger Interface	Description
Packet Trigger	Handles exposure signal by exchanging packet.
Line Trigger	Handles exposure signal by exchanging electrical signal.

#### 3.5.2 Packet Trigger



- Multiple detectors share one generator signal together.
- Connect a generator interface cable to one of the pin groups.
- The generator transmits and receives signal with the one selected detector for taking images.

### 3.5.3 Line Trigger



- Each detector shares a signal signal by being connected with generators separately.
- Up to three X-ray generators can be connected to SCU.
- The connection of each detector and generator can be configured from **VIVIX Setup**.

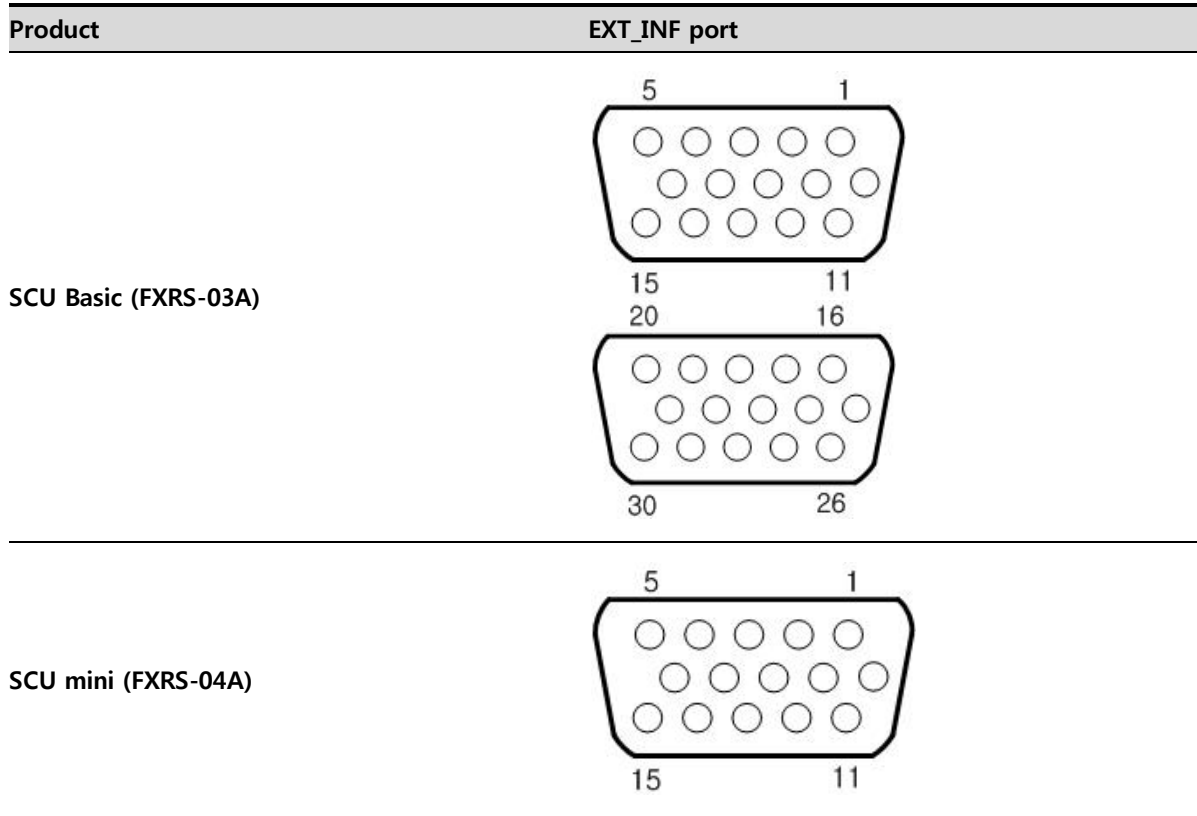


- You should comprehend about a detector and X-ray generator to make correct exposure. Otherwise, X-ray can be exposed to the detector in different location.
- The engineer who understand the generator device and interface technology should be in charge of interface work between SCU and the generator.



### 3.5.4 EXT\_INF Port Pin Map

EXT\_INF port is D-SUB 15 pin female connectors of SCU, and used for the generator interface.



#### EXT\_INF1 port pin map definition (1 ~ 15)

No.	Signal name	I/O	Type	Color	Ch.	Description
1	EXP_REQ+_A	Input	Contact	Red	A	Receives EXP_REQ
2	EXP_REQ-_A	Input	Contact	Black	A	Returns signal from EXP_REQ+_A
3	EXP_REQ_TTL_A	Input	TTL	Orange	A	Receives EXP_REQ
4	EXP_REQ_GND_A	Input	TTL	Gray	A	Returns signal from EXP_REQ_TTL_A
5	EXP_OK_POWER_A/B	Input	-	Yellow	A/B	Power of TTL signal
6	EXP_OK+_A	Output	-	Green	A	Sends EXP_OK
7	EXP_OK-_A	Output	-	Brown	A	Returns signal from EXP_OK+_A
8	EXP_OK+_B	Output	-	Blue	B	Sends EXP_OK
9	EXP_OK-_B	Output	-	Pink	B	Returns signal from EXP_OK+_B
10	Reserved	-	-	-	-	Reserved for test only.
11	EXP_REQ+_B	Input	Contact	White	B	Receives EXP_REQ
12	EXP_REQ-_B	Input	Contact	Purple	B	Returns signal from EXP_REQ+_B
13	EXP_REQ_TTL_B	Input	TTL	White/Red	B	Receives EXP_REQ
14	EXP_REQ_GND_B	Input	TTL	White/Black	B	Returns signal from EXP_REQ_TTL_B
15	Reserved	-	-	-	-	Reserved for test only.

**EXT\_INF2 port pin map definition (16 ~ 30)**

No.	Signal name	I/O	Type	Color	Ch.	Description
16	EXP_REQ+_C	Input	Contact	Red	C	Receives EXP_REQ
17	EXP_REQ-_C	Input	Contact	Black	C	Returns signal from EXP_REQ+_C
18	EXP_REQ_TTL_C	Input	TTL	Orange	C	Receives EXP_REQ
19	EXP_REQ_GND_C	Input	TTL	Gray	C	Returns signal from EXP_REQ_TTL_C
20	EXP_OK_POWER_C	Input	-	Yellow	C	Power of TTL signal
21	EXP_OK+_C	Output	-	Green	C	Sends EXP_OK signal
22	EXP_OK-_C	Output	-	Brown	C	Returns signal from EXP_OK+_C
23	EXT_W+	Input	Contact	-	-	User-defined Pin 1
24	EXT_W-	Input	Contact	-	-	Returns signal from EXT_W+
25	EXT_X+	Input	Contact	-	-	User-defined Pin 2
26	EXT_X-	Input	Contact	-	-	Returns signal from EXT_X+
27	EXT_Y+	Input	Contact	-	-	User-defined Pin 3
28	EXT_Y-	Input	Contact	-	-	Returns signal from EXT_Y
29	EXT_Z+	Input	Contact	-	-	User-defined Pin 4
30	EXT_Z-	Input	Contact	-	-	Returns signal from EXT_Z+



- Since SCU mini has the **EXT\_INF 1** port only, one generator can be connected with it.



- Up to three X-ray generators can be connected to **EXT\_INF1** and **EXT\_INF2** ports, and each generator should be connected with a same channel.



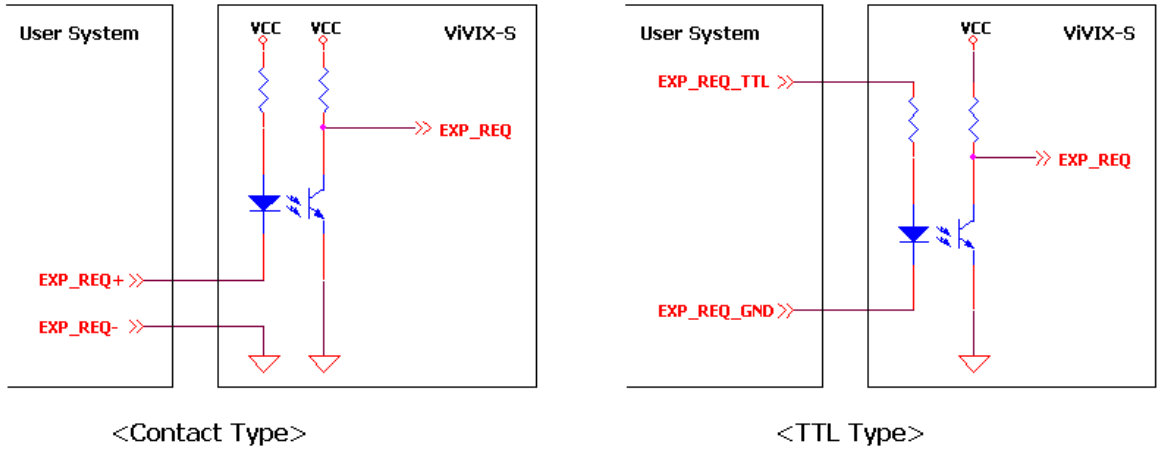
- There are **Contact** type (OPEN/ CLOSE) and **TTL** type (ON/ OFF) on the signal in/output pin.
- TTL type information
  - ON : VCC
  - OFF : GND
  - Current: 5 mA ~ 10 mA
  - Voltage: 12 V ~ 24 V



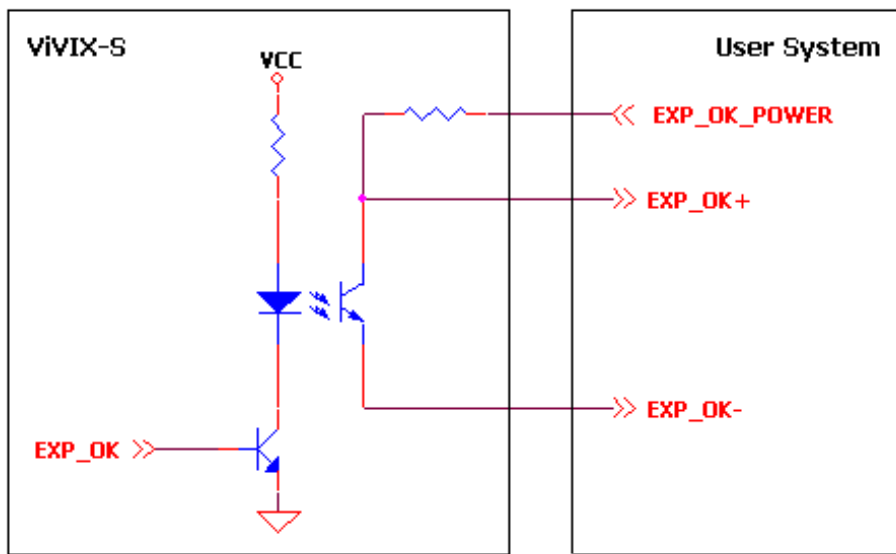
- When you plan to add interface using a user-defined pin, contact to the person in charge of Vieworks.

### 3.5.5 Input / Output Circuit

#### Exposure Request Input Circuit (EXP\_REQ)



#### Exposure Respond Output Circuit (EXP\_OK)



---

## 4. Settings

---

This section gives information about the way of installation, setting, and diagnosis to use a detector with SCU.

- Battery Pack
- Product Installation
- Device Setting
- Diagnosis of Devices

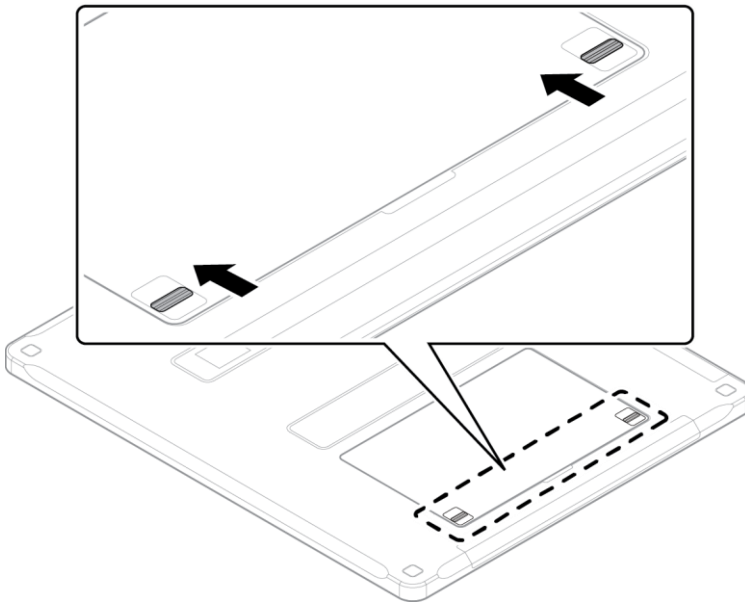
## 4.1 Battery Pack



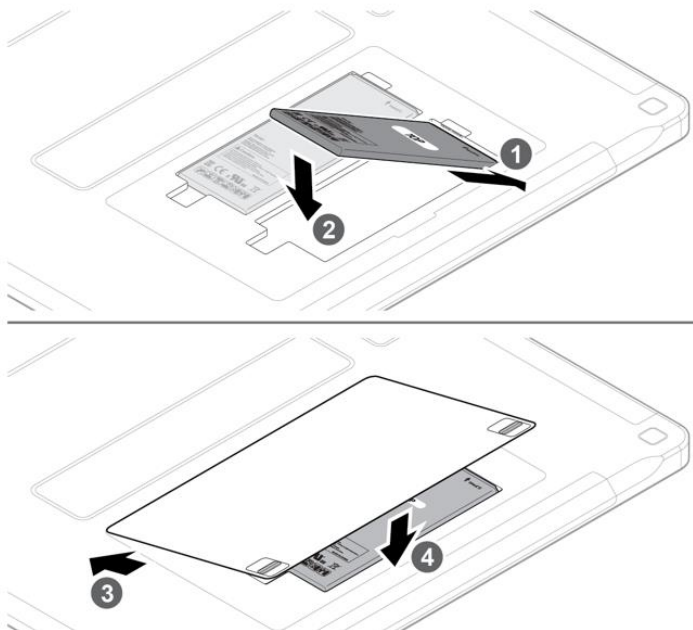
- Detector and its attached devices should be installed by an authorized service engineer.
- If you encounter any problems, consult the sales representative or engineer in Vieworks.

### 4.1.1 How to Insert Battery Packs

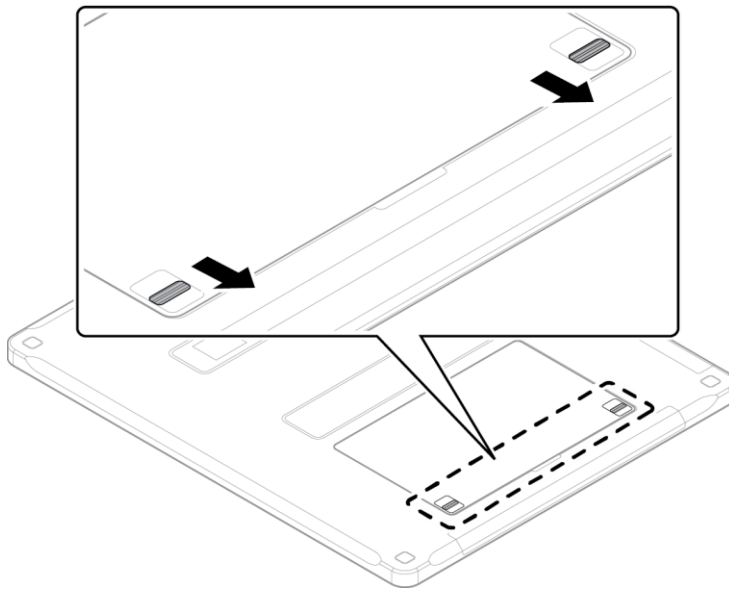
- 1 Raise the two lock/unlock levers of a battery case.



- 2 Open the battery cover.
- 3 Insert a battery pack and close the battery cover.



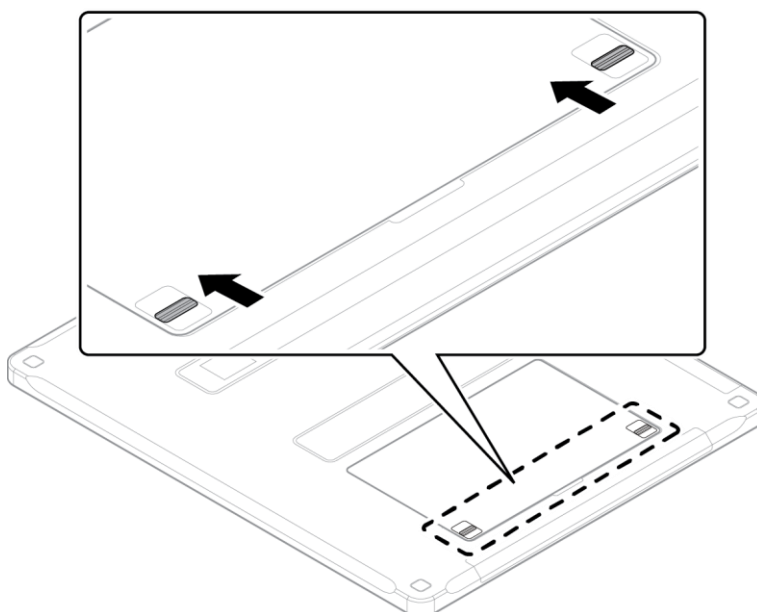
4 Pull down the two lock/unlock levers of a battery case.



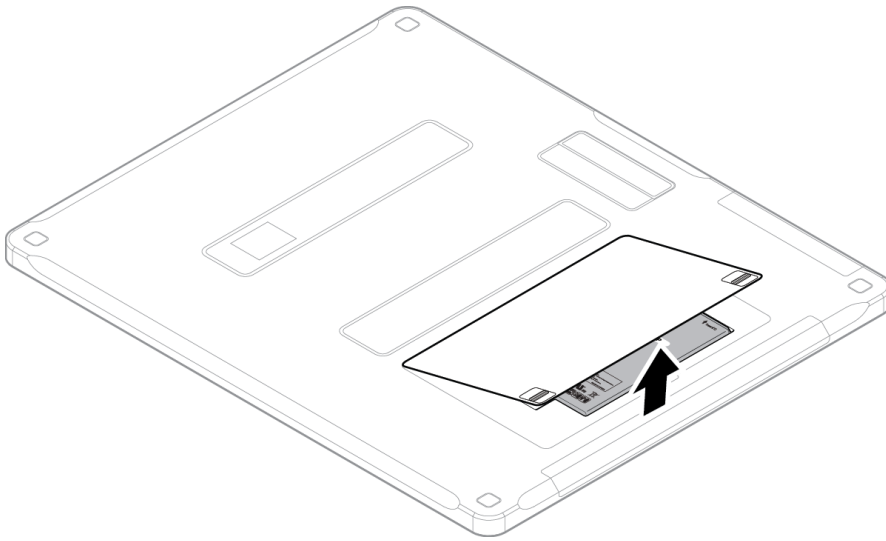
- Check if the battery is fully charged before using.
- Make sure that the battery pack is securely inserted.
- The remaining battery can be checked from the battery lamp on the side of detector or from the **VIVIX Setup** program.

#### 4.1.2 How to take out a battery pack

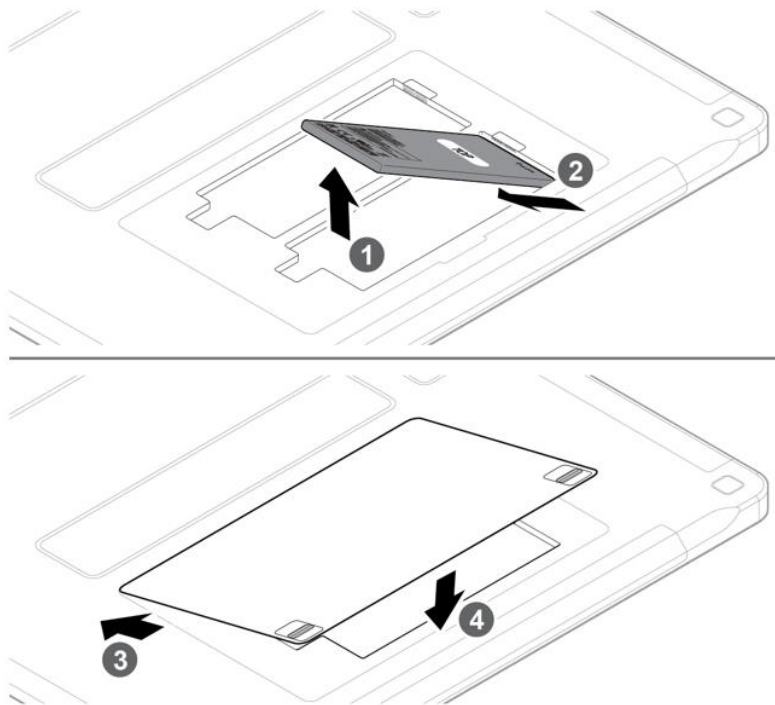
1 Raise the two lock/unlock levers of a battery case.



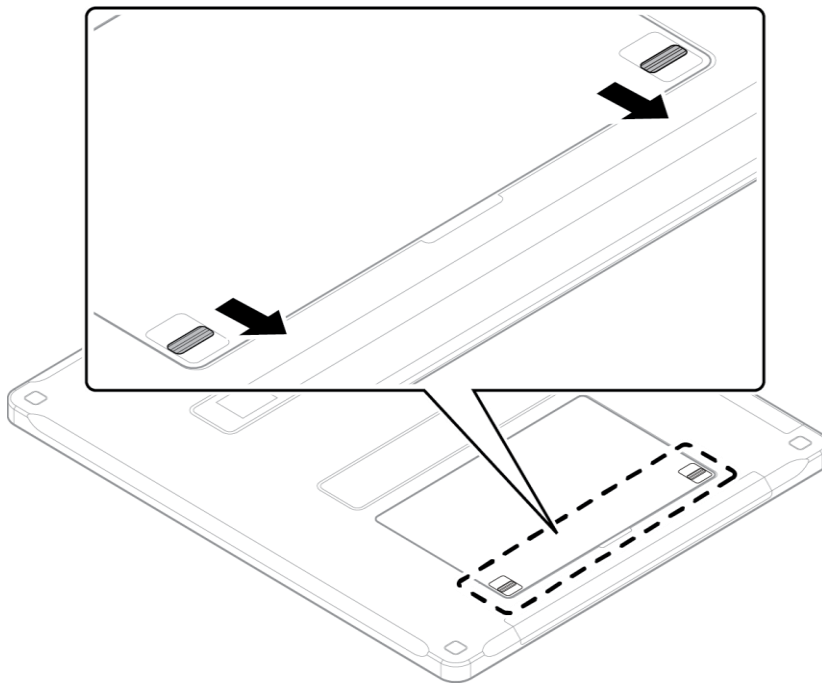
2 Open the battery cover.



3 Take out a battery pack and close the battery cover.



4 Pull down the two lock/unlock levers of a battery case.



- Make sure to turn off the detector by pressing and hold the power button for 3 seconds before detaching a battery pack. All status LED lamps are off and then the detector is turned off.

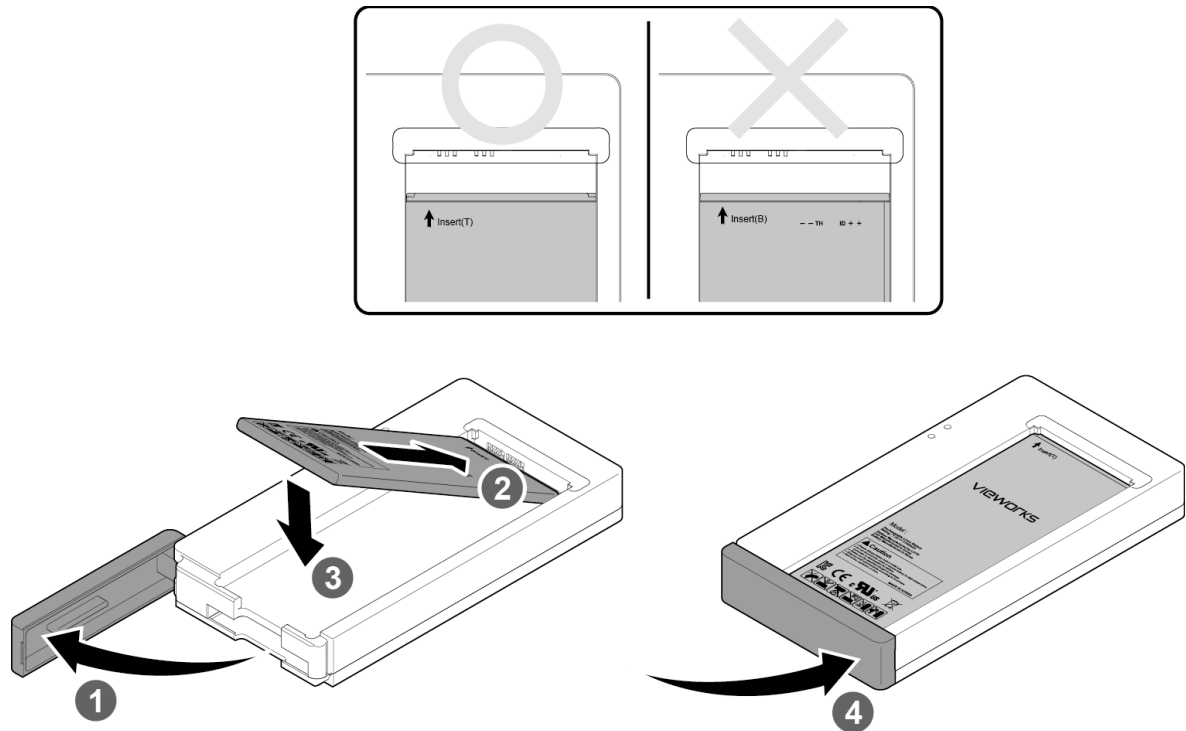


### 4.1.3 How to charge a battery pack (FXRC-02A)

The detector is battery-operated when it is connected wirelessly. Charge the battery pack fully before inserting it to the detector.

#### Charging type 1

Before charging a battery pack, supply power to the charger with a power adapter.

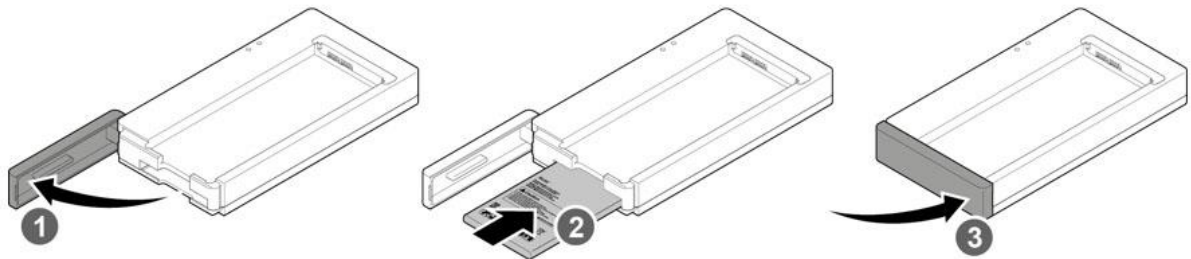


- 1 Open the cover at the lower side of charger.
- 2 Put the **FXRB-03A** battery pack on the top of charger in the right direction.
- 3 Push the battery down until it is fixed in the charging part.
- 4 Close the cover at the lower side of charger.

	Simultaneous charging	Charging time
<b>Battery charger</b>	2 battery packs	2 1/2 hrs.
<b>Tether interface cable</b>	2 battery packs	8hrs.

## Charging type 2

Before charging a battery pack, supply power to the charger with a power adapter.



- 1 Open the cover at the lower side of charger.
- 2 Insert the **FXRB-03A** battery pack into the slot until it clicks.
  - Insert the battery pack in the direction of a 'TOP' printed part.
- 3 Close the cover at the lower side of charger.



- The charging time can be different depending on temperature and charging status of a battery.
- While charging a battery pack, it is available to use the detector by connecting it with a tether interface cable.

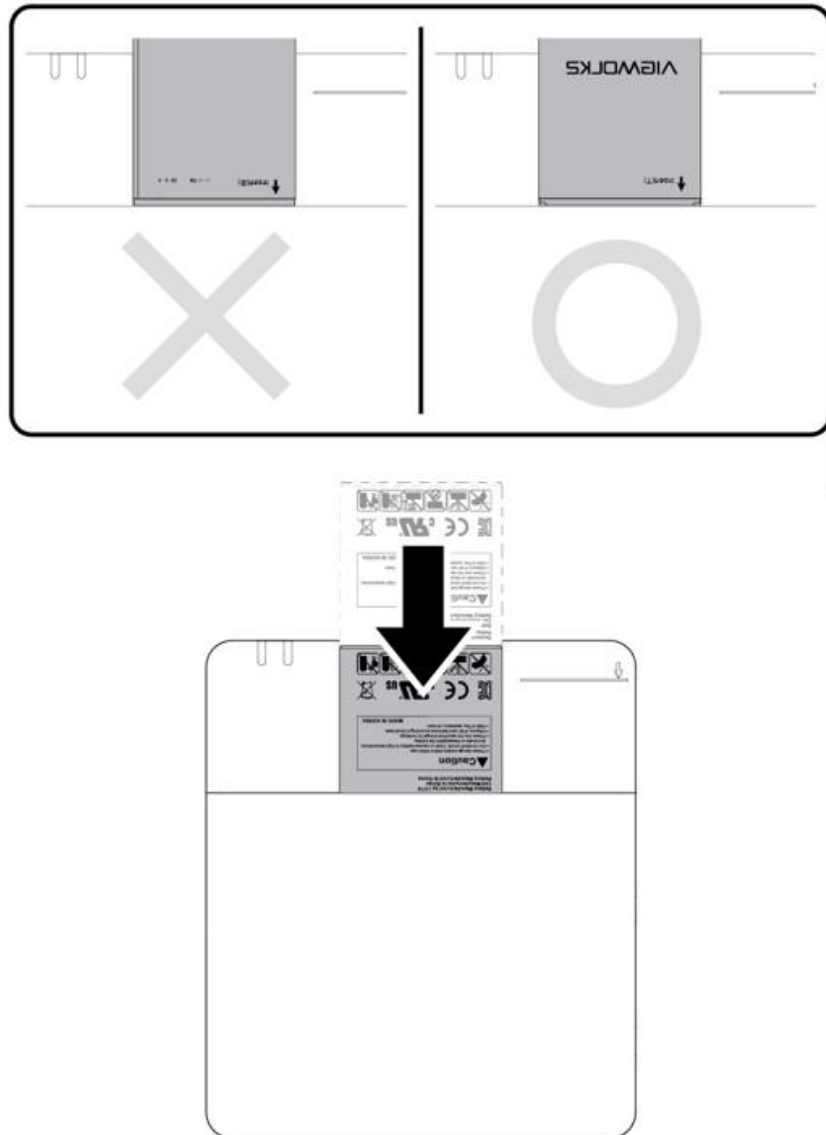


- This detector is designed to make a battery being discharged little by little during the detector is off. Therefore, remove the battery pack when the detector is not used for some time. Otherwise, over discharge may occur resulting in the shortened battery life.
- Do not use the charger around the patient.
- Charge the battery with the charger provided by Vieworks.
- Securely plug the power cord of the charger into the AC outlet. If contact failure occurs, or if dust/metal objects come into contact with the exposed metal prongs of the plug, fire or electric shock may result.
- Use only a power adapter complying with IEC 60601-1 or IEC 60950-1.

#### 4.1.4 How to charge a battery pack (FXRC-03A)

##### Charging type 1

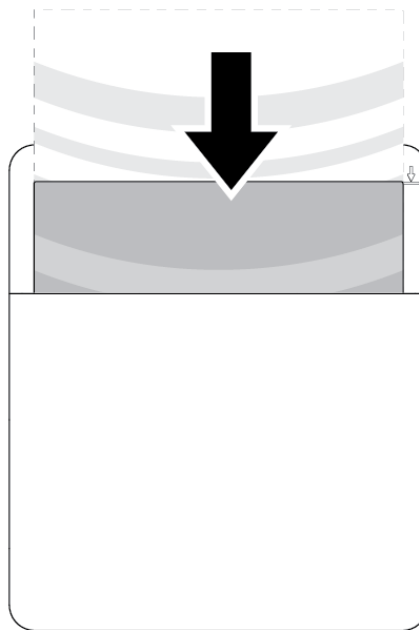
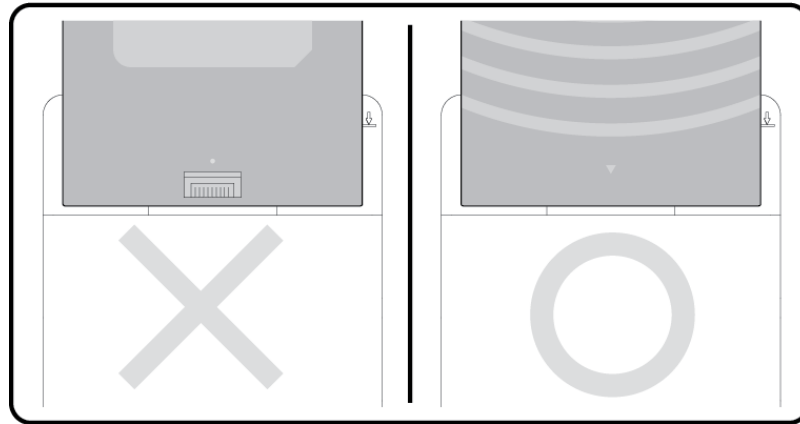
Before charging a battery pack, supply power to the charger with a power adapter.



- 1 Put the **FXRB-03A** battery pack to the bottom of a charger until it clicks.
- 2 The battery is started charging automatically. The charger light turns orange / green color when the battery is being charged / fully charged.
- 3 Disconnect the battery pack from the charger when the charging is completed.

## Charging type 2

Before charging a battery pack, supply power to the charger with a power adapter.



- 1 Put the **FXRB-01A** battery pack into the slot.
- 2 The battery is started charging automatically. The charger light turns orange / green color when the battery is being charged / fully charged.
- 3 Disconnect the battery pack from the charger when the charging is completed.



- The charging time can be different depending on temperature and charging status of a battery.
- While charging a battery pack, it is available to use the detector by connecting it with a tether interface cable.



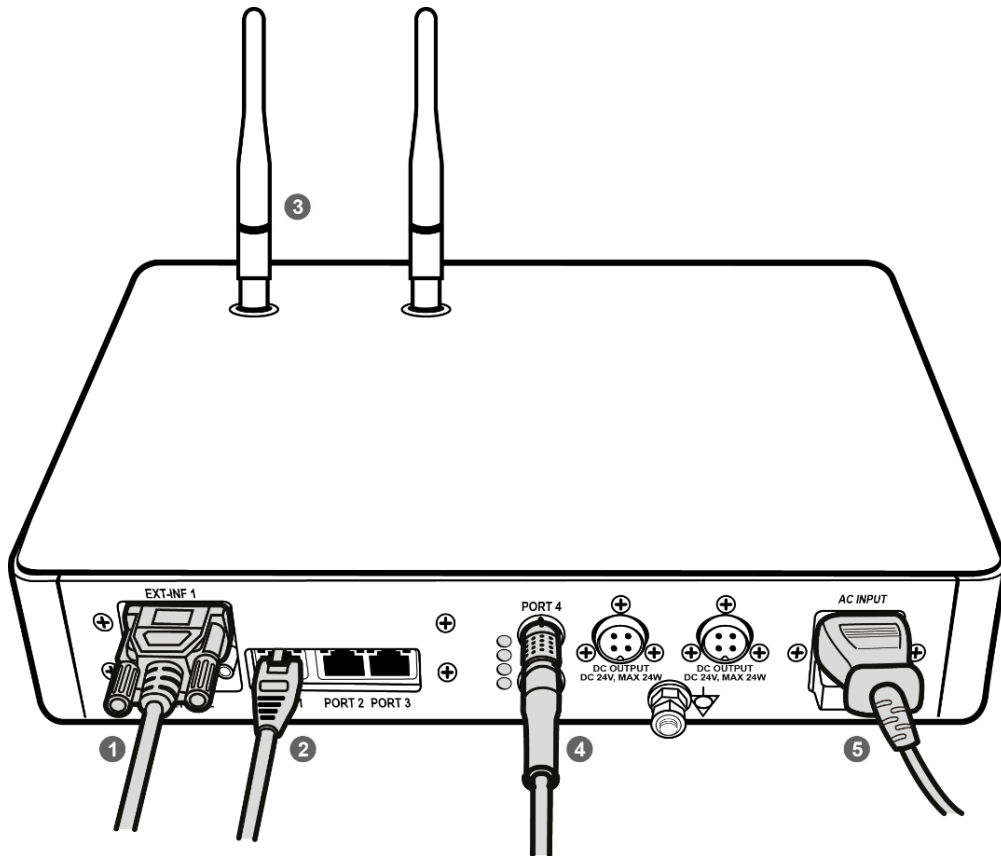
- This detector is designed to make a battery being discharged little by little during the detector is off. Therefore, remove the battery pack when the detector is not used for some time. Otherwise, over discharge may occur resulting in the shortened battery life.
- Do not use the charger around the patient.
- Charge the battery with the charger provided by Vieworks.
- Securely plug the power cord of the charger into the AC outlet. If contact failure occurs, or if dust/metal objects come into contact with the exposed metal prongs of the plug, fire or electric shock may result.
- Use only a power adapter complying with IEC 60601-1 or IEC 60950-1.

## 4.2 Product Installation



- This equipment should be installed by a service personnel authorized by Vieworks.
- This equipment must only be connected to the power with protective earth.

### 4.2.1 Connecting SCU Basic (FXRS-03A)



- 1 If you use the **DR Trigger** interface, connect the one end of generator interface cable to the **EXT\_INF** port of SCU, and the other to the X-ray generator.



- If you use the AED interface, a generator interface cable is not needed as the detector operates by detecting X-ray automatically.

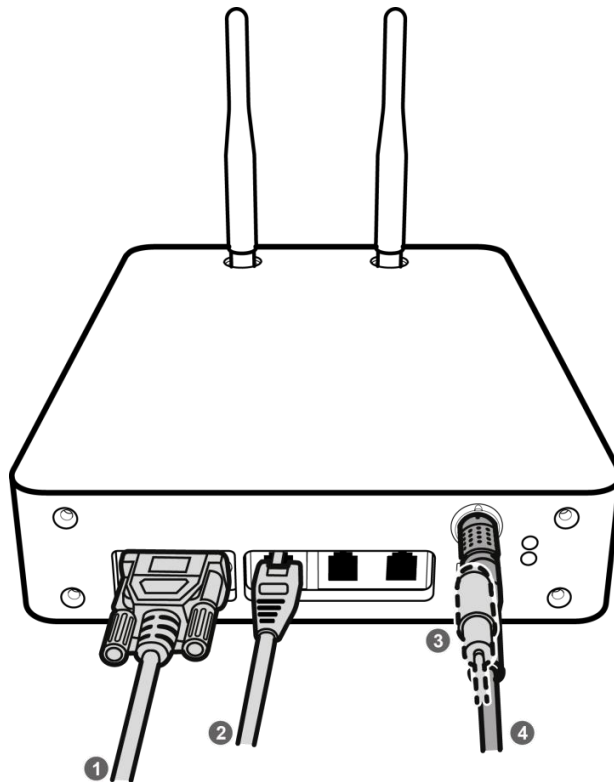
- 2 Connect one end of the LAN cable to one of the LAN ports of SCU, and the other to the LAN Card Connector of workstation assigned for data transfer.
- 3 Stand the antenna of SCU upright.
- 4 To transmit image data using a tether interface, connect the one end of the Tether Interface cable to the **Port 4** or **Port 5** of SCU and the other to the detector.



- If you use the wireless communication method, a tether interface cable is not needed as the image is transmitted wirelessly.

5 To supply power, connect the AC power cable to the AC power input port of SCU.

#### 4.2.2 Connecting SCU mini (FXRS-04A)



1 If you use the **DR Trigger** interface, connect the one end of generator interface cable to the **EXT\_INF** port of SCU mini, and the other to the X-ray generator.



- If you use the AED interface, a generator interface cable is not needed as the detector operates by detecting X-ray automatically.

2 Connect one end of the LAN cable to one of the LAN ports of SCU mini, and the other to the LAN Card Connector of workstation assigned for data transfer. Stand the antenna of SCU mini upright.

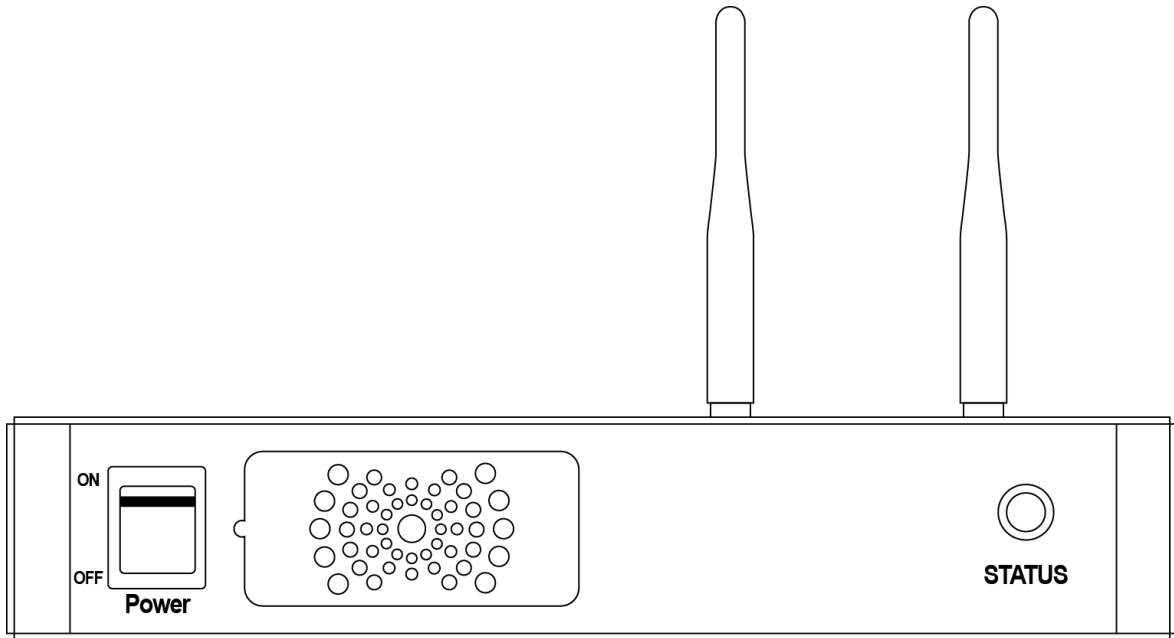
3 To transmit image data using a tether interface, connect the one end of the tether interface cable to the port of SCU mini and the other to the detector.



- If you use the wireless communication method, a tether interface cable is not needed as the image is transmitted wirelessly.

4 To supply power, connect the DC power cable to the DC power input port of SCU mini.

### 4.2.3 Booting up SCU (Ex. FXRS-03A)



- 1 Turn on the power switch at the front side of SCU.
- 2 Check if the power switch of SCU lights up green.
- 3 Check if the status indicator is blinking in green after the power switch of SCU is permitted.
- 4 Check if the status indicator of SCU is blinking in green and turns to light up in the same color.



- When the power switch lights up green, it means that the power is applied normally.
- When the status indicator is blinking in green, the SCU is booting.
- If the status indicator lights up green, it indicates that the SCU is being operated normally after booting up.

### 4.2.4 Booting up the Detector



- The procedures in this chapter are explained according to the default setting status of a detector (factory reset) and the use of wireless connection.
- Refer to <5.3.3 Wireless Initialization of Detector> for the detailed information about the default setting status of a detector.

- 1 Attach a charged battery pack to the detector.
- 2 Press the power button of the detector for 1 second until the power LED is turned on.
- 3 When the power LED is on, check if it is lit green.
- 4 Check if the active LED is lit orange on the detector.