



REFRIGERATION

Freestanding 36"W. Bottom-Mount Refrigerator/Freezer



Standard Features & Accessories

Models include

- Total capacity—19.9 cu. ft. (563.2 L)
- 72"H./24"D.
- "Cabinet depth" design (24"D. side panels) integrates with surrounding cabinetry—fit for replacement of most existing appliances
- Electronic controls with digital readouts maintain the temperature selection
- Frost-free refrigerator
 - Capacity—14.4 cu. ft. (407.5 L)
 - Four slide-out adjustable tempered glass spillproof shelves
 - One stationary glass shelf
 - Temperature adjustable Meat Savor™/produce drawer
 - Two moisture adjustable see-through produce drawers
 - In-the-door dairy compartment with cover
- Three half-width door bins
- One full-width door bin
- Internal filtered water dispensing
- Water filter indicator light (illuminates when filter needs to be replaced)
- See-through egg bin with carrier holds up to 24 eggs
- Glass butter tray with cover
- Frost-free freezer
 - Capacity—5.5 cu. ft. (155.7 L)
 - Adaptive defrost
 - Factory-installed automatic ice maker
 - Two slide-out baskets
 - Max ice feature
- Open door alarm sounds to warn that door has been ajar for five minutes
- High temperature alarm
- Vacation Mode
- Must be ordered right or left hinge. (As you face unit, RIGHT has hinge on right side and handle on left side; LEFT has hinge on left side and handle on right side.)

Model Options



VCBF036*
Professional



DDBF036*
Designer

FINISH DETAILS FOR BOTH MODELS

- Stainless Steel (SS)
- Finish code designates door fronts. Black cabinet sides and top.

*Shown throughout with top grille kits. See **Installation Notes & Accessories** for details.

ORDERING INSTRUCTIONS

First specify model number, followed by hinge preference ("R" for right or "L" for left), and then color code (VCBF036RSS).





REFRIGERATION

Freestanding 36"W. Bottom-Mount Refrigerator/Freezer



★ Please see Installation Notes & Accessories for important information, including water filter, handle, trim and top grille kits.

Dimensions & Specifications

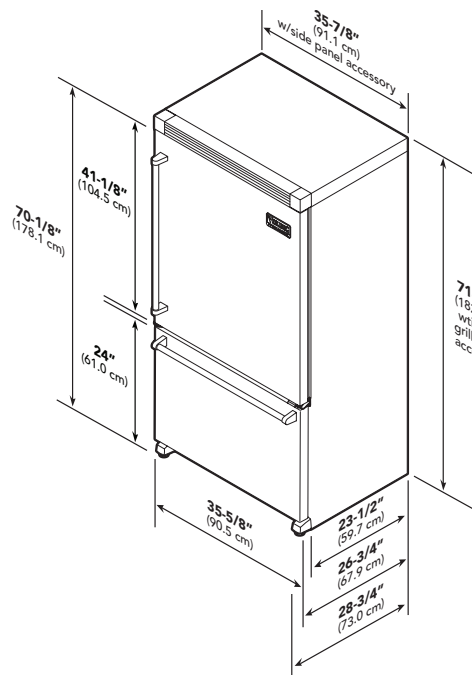
PRODUCT DIMENSIONS



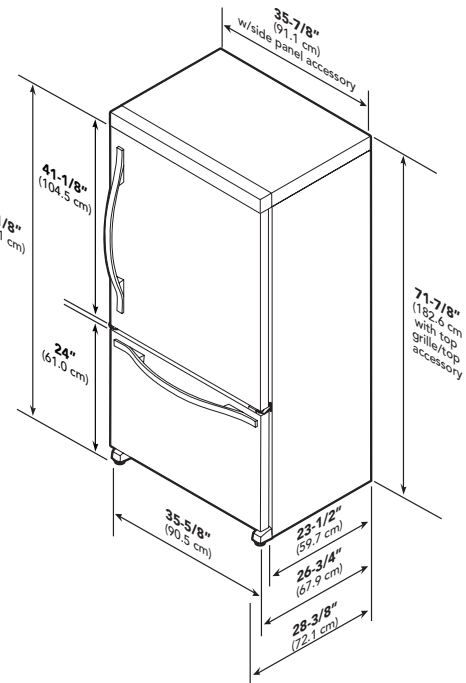
VCBF036
Professional



DDBF036
Designer



PROFESSIONAL



DESIGNER

	VCBF036	DDBF036
Overall width	35-5/8" (90.5 cm)	
Addition of side panels	35-7/8" (91.1 cm)	
Overall height (from bottom)	70-1/8" (178.1 cm)	
Addition of tops/grilles	71-7/8" (182.6 cm)	
Overall depth (from rear)		
To front of door	26-3/4" (67.9 cm)	
To front of handle	28-3/4" (73.0 cm)	28-3/8" (72.1 cm)
Approx. ship weight	327 lbs. (148.7 kg)	





REFRIGERATION

Freestanding 36" W. Bottom-Mount Refrigerator/Freezer



Dimensions & Specifications

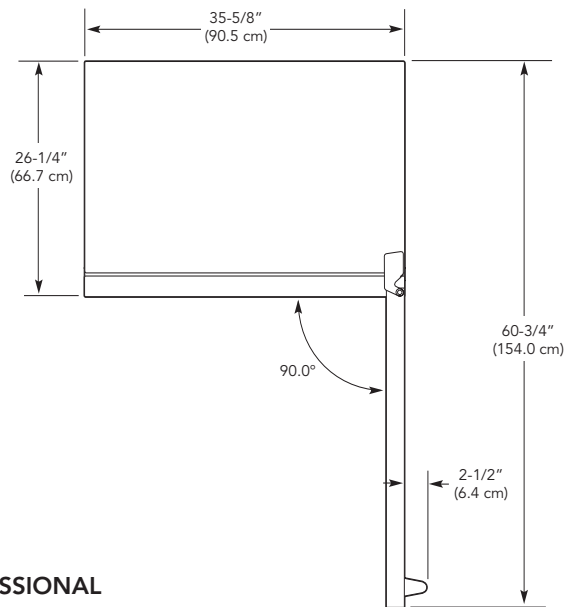
DOOR SWING



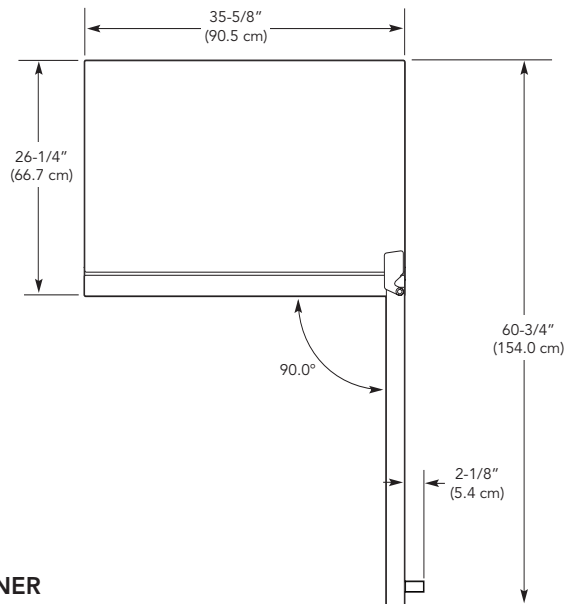
VCBF036
Professional



DDBF036
Designer



PROFESSIONAL



DESIGNER





UTILITY REQUIREMENTS



GAS
Not applicable



- ELECTRICAL**
- Three-wire cord with grounded three-prong plug attached to product. Do not use an extension cord or adapter plug for a two-prong receptacle—call a qualified electrical installer.
 - o 115V/60 Hz; 15 amp dedicated circuit
 - o Maximum amp usage—7.9
 - o Estimated energy usage—481 kWh/year



- PLUMBING**
- Inlet waterline requirements—1/4" copper tubing
 - 35 psi min.; 100 psi max.

Installation Requirements

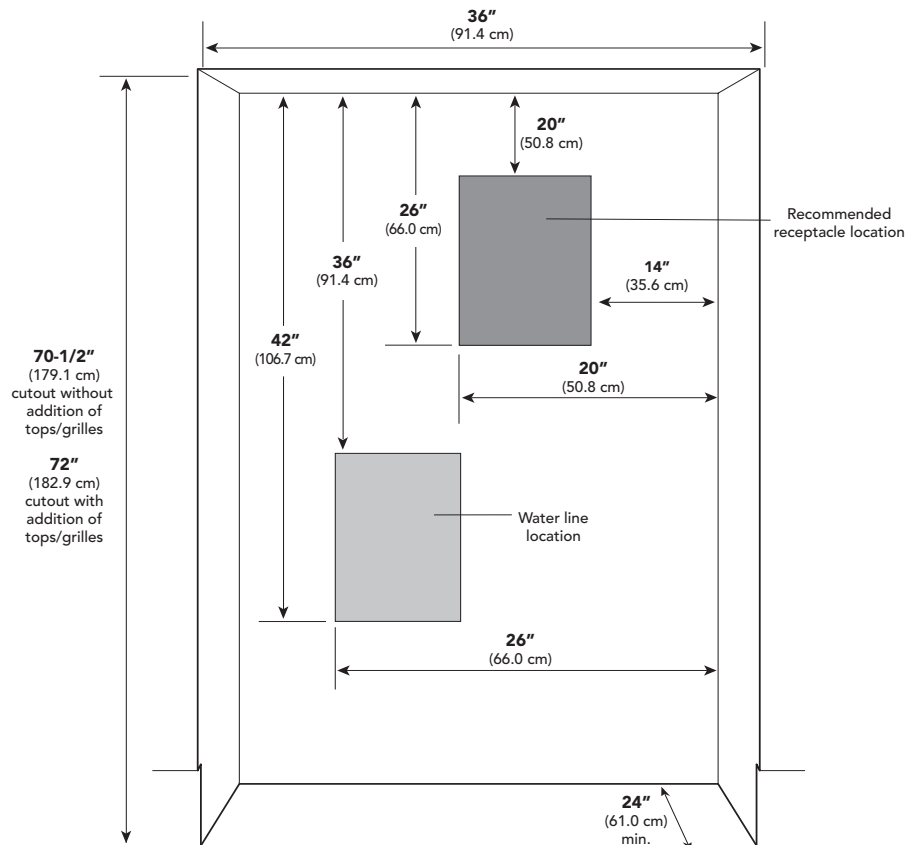
ACCESS REQUIREMENTS



VCBF036
Professional



DDBF036
Designer



When installing into a cutout, the edge of the door must be 2-7/8" (7.3 cm) from the adjacent countertop cabinet.

Allow 1/2" (1.3 cm) space at top and 1/2" (1.3 cm) behind the machine compartment cover (located in the rear) for proper air circulation. Sub-flooring or floor coverings (i.e. carpet, tile, wood floors, rugs) may make your opening smaller than anticipated. Some clearance may be gained by using the leveling procedure under **Leveling** in the Installation Guide.

All models	
Cutout width	36" (91.4 cm)
Cutout height	70-1/2" (179.0 cm)
Addition of tops/grilles	72" (182.9 cm)
Cutout depth	24" (61.0 cm)



REFRIGERATION

Freestanding 36"W. Bottom-Mount Refrigerator/Freezer



★ Installation Notes & Accessories

Side Trim Kits

- Stainless steel finish
- Provides "built-in" look when used with a top grille kit

Model	Description	Approx. ship wt. lbs. (kg)
FRSTKRB	Right hinged bottom-mount side trim kit	13 (5.9)
FRSTKLB	Left hinged bottom-mount side trim kit	13 (5.9)

Top Grille Kits

- Stainless steel finish
- Provides "built-in" look when used with a side trim kit; provides "wrapped" look when used with side panel and top kits

Model	Description	Approx. ship wt. lbs. (kg)
PFRGKRB	Professional right hinged bottom-mount grille kit	10 (4.5)
PFRGKLB	Professional left hinged bottom-mount grille kit	10 (4.5)
DFRGKRB	Designer right hinged bottom-mount grille kit	10 (4.5)
DFRGKLB	Designer left hinged bottom-mount grille kit	10 (4.5)

Side Panel Kits

- Stainless steel finish
- Provides "wrapped" look when used with top grille and top kits
- Side panel kits include panels for both sides

Model	Description	Approx. ship wt. lbs. (kg)
FRSPKRB	Right hinged bottom-mount side panel kit	60 (27.0)
FRSPKLB	Left hinged bottom-mount side panel kit	60 (27.0)

Top Kit

- Stainless steel finish
- Provides "wrapped" look when used with side panel and top grille kits

Model	Description	Approx. ship wt. lbs. (kg)
FRTOP	Professional right hinged bottom-mount top kit	19 (8.6)

Replacement Water Filter

- Replaces water filter cartridges supplied with freestanding refrigerator/freezers
- Reduces sediment, bad taste and odor
- Reduces cysts, particulates, turbidity, lead, chlorine, atrazine and lindane
- Ready to install—no assembly required

Model	Description	Approx. ship wt. lbs. (kg)
RWF-FR	Replacement water filter	5 (2.3)

Brass Handle Kits

- Replaces handles supplied with unit for brass trim
- Bottom-mount kits include two handles

Model	Description	Approx. ship wt. lbs. (kg)
PFRHKBBR	Professional bottom-mount handle kit	10 (4.5)
DFRHKBBR	Designer bottom-mount/side-be-side handle kit	10 (4.5)

Compliance Information



WARRANTY SUMMARY*

- Two-year full warranty—complete unit
- Six-year full warranty—sealed refrigeration system (includes compressor, condenser, dryer/strainer, evaporator, and connecting tubing)
- Twelve-year limited warranty—sealed refrigeration system
- Ninety-day limited warranty—cosmetic parts such as glass, painted items, and decorative items

*For complete warranty see *Use & Care Guide*. Warranty valid on Viking products shipped within the United States and Canada.

