

WR1

VIOFO WR1 Car Dash Camera

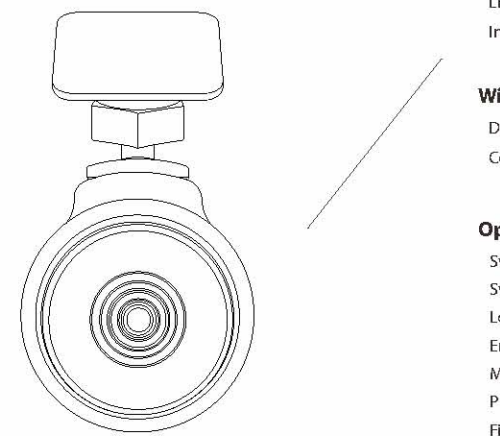


Table of Contents

- Installation 2
 - Accessories
- Introduction 2
 - Interface
 - LED
 - Installation Method
- Wi-Fi Connection 6
 - Download the phone app
 - Connect the camera through Wi-Fi
- Operation 6
 - Switch ON
 - Switch OFF
 - Loop Recording
 - Emergency Recording
 - Motion Detection
 - PC Mode
 - Firmware Upgrade

Installation

Accessories

- Car Charger Adapter
- Car Charger Cable
- USB Cable
- 3M Adhesive Mount
- Suction Mount
- Clips

Introduction

Interface

- (1) Power LED (2) Wi-Fi LED (3) Power Button (4) Lens
- (5) Cooling Hole (6) Micro-SD Card Slot (7) Power Socket
- (8) Mount Slot (9) Microphone

LED

LED	Activity	Status
Power LED	Solid Red	Power ON, Recording
	Flashing Red	1. Power ON, not recording 2. Firmware upgrading
Wi-Fi LED	Solid Blue	Wi-Fi connected
	Flashing Blue	The camera is turned on and waiting for Wi-Fi connection

Installation Method

It is recommended to use a Class 10, 8GB or above Micro SD card (64GB SD card is the highest supported type)

2) Install the Mount

- ① Slide the mount into the slot on the top of camera.
- ② Choose a suitable location for installation and make sure you have the best view possible.

3) Connect to Car Charger

Plug the cigarette adapter into your vehicles' power port, insert the USB plug into the USB port on the camera.

Wi-Fi Connection

1) Download the phone app

If you are using the iPhone, we suggest you download the FNNMultiCam app, for Android phone, we suggest download the FNNovatek app.

2) Connect the camera through Wi-Fi

- ① Start the car to power on the camera.
- ② Connect to the Wi-Fi connection named VIOFO-*****. (The start is different for each camera).
- ③ Start the app, for FNNovatek app, the app will automatically connect with the camera. For FNNMultiCam app, while you see the "Auto connect to Device" prompt, please select "OK" to connect.

3) Loop Recording

- ① Insert a Micro SD card into the camera's card slot and automatic loop recording will begin once the camera detects power.
- ② Time frame for each video file is 3/5/10 minutes.
- ③ When there is insufficient space on the Micro SD card, loop recording will automatically overwrite the oldest files (one by one).
- ④ Loop recording files are saved to SD card:\DCIM\MOVIE folder.

4) Emergency Recording

- ① Automatic emergency recording

When the G-sensor is activated due to a collision, current footage will be automatically locked to avoid being overwritten by loop-recording.

(**Note:** Collision sensing feature can be adjusted in settings on App.)

2) Switch OFF/ON

- ① Automatic: When the camera is ON, simply turn OFF the engine or unplug the charging cable and the camera will switch OFF automatically.
- ② Manual: Switching the camera OFF manually is required for vehicles where the 12V/24V female power socket provides continuous power after the engine is turned OFF.
- ③ When the camera is ON, press and hold the power button for at least 5 seconds to turn the camera OFF.
- ④ Press the power button for at least 3 seconds to turn the camera ON.

3) Loop Recording

- ① Insert a Micro SD card into the camera's card slot and automatic loop recording will begin once the camera detects power.
- ② Time frame for each video file is 3/5/10 minutes.
- ③ When there is insufficient space on the Micro SD card, loop recording will automatically overwrite the oldest files (one by one).
- ④ Loop recording files are saved to SD card:\DCIM\MOVIE folder.

4) Emergency Recording

- ① Automatic emergency recording

When the G-sensor is activated due to a collision, current footage will be automatically locked to avoid being overwritten by loop-recording.

(**Note:** Collision sensing feature can be adjusted in settings on App.)

5) Motion Detection

If turned ON, the camera will start recording on detecting any movement within its FOV (field of view). Once the camera does not detect any movement for 60 seconds, it will stop recording and go back to 'Motion-Detection' mode. Recording will resume if any new movement is detected.

6) PC Mode

- ① Connect the camera to a computer using a Mini USB cable.
- ② Device will automatically turn on.
- ③ The computer will detect "removable disk".
- ④ There will be three folders under DCIM folder:
 - \MOVIE (loop recording video files)
 - \MOVIE-RO (Emergency recording video file)
 - \PHOTO (Video snapshot)
- ⑤ Copy file are needed to computer drive.

7) Firmware Upgrade

- ① Download latest firmware, unzip the file. Copy & paste or drag & drop the .bin file to the root of the Micro SD card.
- ② Insert the Micro SD card into the camera's card slot once the transfer is completed.
- ③ Plug into a power source and then turn the camera ON.
- ④ LED indicator will start flashing to confirm the update's progress.
- ⑤ The camera will automatically reboot after the upgrade is completed.

⑥ Currently installed firmware version can be verified by accessing the 'Version' tab on App.

Note:

- Before using a Micro SD card to upgrade the firmware, formatting the card in-camera is necessary to ensure stable read and write operation.
- Do not unplug or power-off the camera during a firmware upgrade, it may cause the camera to fail from booting.

Notice

FCC Statement

This equipment has been tested and found to comply with the limits for a Class B digital device, pursuant to part 15 of the FCC Rules. These limits are designed to provide reasonable protection against harmful interference in a residential installation. This equipment generates, uses and can radiate radio frequency energy and, if not installed and used in accordance with the instructions, may cause harmful interference to radio communications. However, there is no guarantee that interference will not occur in a particular installation. If this equipment does cause harmful interference to radio or television reception, which can be determined by turning the equipment off and on, the user is encouraged to try to correct the interference by one or more of the following measures:

- Reorient or relocate the receiving antenna.
- Increase the separation between the equipment and receiver.
- Connect the equipment into an outlet on a circuit different from that to which the receiver is connected.
- Consult the dealer or an experienced radio/TV technician for help.

Caution:

Any changes or modifications to this device not explicitly approved by manufacturer could void your authority to operate this equipment.

This device complies with part 15 of the FCC Rules. Operation is subject to the following two conditions: (1) This device may not cause harmful interference, and (2) this device must accept any interference received, including interference that may cause undesired operation.

This equipment complies with FCC radiation exposure limits set forth for an uncontrolled environment.

This equipment should be installed and operated with minimum distance 20cm between the radiator & your body.

Customer Service

- 12-month Limited warranty
- Lifetime technical support
- support@viofo.com
- +86 755 8527 8089 (CN) Mon-Fri 9am-6pm
- VIOFO .World
- VIOFO_World