

Safety 1st

Baby Monitor User Guide

PLEASE READ THE FOLLOWING WARNINGS AND ALL ASSEMBLY INSTRUCTIONS CAREFULLY BEFORE USING THE VIDEO BABY MONITOR. KEEP THESE INSTRUCTIONS FOR FUTURE REFERENCE.

TERMS USED IN WARNINGS: The term “Receiver” corresponds to “Video Monitor” and “Portable Video Receiver” in the rest of this instruction booklet. The term “Transmitter” corresponds to “Portable Video Monitor” or “Baby’s Unit” in the rest of this instruction booklet.

- The Video Baby Monitoring System is not intended to replace responsible and proper parental supervision.
- Check your child’s activity at regular intervals as this monitor will not alert parents to the silent activities of a child.
- Before using your Video Baby Monitoring System:
 - Read and follow all instructions carefully.
 - Read and observe all warnings on the product and in this instruction booklet.
- To prevent entanglement with the adapter cord, **DO NOT** place the Receiver anywhere its AC adapter cord are within reach of children.
- **ALWAYS KEEP THE TRANSMITTER, RECEIVER AND AC ADAPTERS OUT OF REACH OF CHILDREN.**
- This product is not intended to be used as a medical monitor and its use should not replace adult supervision.
- It is essential to check reception regularly. Please see the Testing Reception section for complete instructions.
- The Video Monitor is intended for indoor use only.
- **NEVER** use the Transmitter or Receiver near water. For example, do not use near a bathtub, bathroom sink, laundry tub, kitchen sink, in a wet basement, etc.
- Always unplug the AC adapters from wall outlets during long periods of non-use.
- Position the Transmitter, Receiver and AC adapters to allow adequate ventilation and prevent these components from overheating.
- To prevent overheating, keep the Transmitter, Receiver and AC adapters away from heat sources such as radiators, heat registers, stoves or other appliances (including amplifiers) which produce heat. Also keep these components out of direct sunlight.
- Use only the AC adapters provided. Use of any other adapters may damage the Transmitter and/or Receiver. Plug the AC adapters into standard household current

only (120V AC outlet)! To prevent entanglement and overheating, **DO NOT** use extension cords.

- The AC adapters may become slightly warm to the touch during operation. This is normal.
- Position the AC adapter cords so that they are not walked on or pinched by items placed upon or against them, paying particular attention to cords at AC adapter plugs, wall plugs, and the point at which the cords attach to the Transmitter and Receiver.
- This product should be serviced only by qualified service personnel at Dorel Juvenile Group when:
 - An AC adapter or its plug is damaged,
 - The Transmitter or Receiver have fallen,
 - Liquid has spilled into the Transmitter or Receiver or
 - The Transmitter or Receiver do not appear to operate normally or exhibit a marked change in performance
- **DO NOT** attempt to service this product beyond that described in the Troubleshooting section at the end of these instructions.

All other servicing should be referred to qualified personnel at Dorel Juvenile Group.

NOTE: The LEDs emit IR (infra red) light that is not harmful.

WARNING

TO REDUCE THE RISK OF FIRE OR ELECTRICAL SHOCK, DO NOT EXPOSE THIS PRODUCT TO WATER OR MOISTURE. DO NOT REMOVE COVER ON BACK OF TRANSMITTER OR RECEIVER. NEVER ATTEMPT TO OPEN THE CASE OF THE PRODUCT. THIS IS DANGEROUS AND WILL VOID THE WARRANTY. NO SERVICEABLE PARTS INSIDE. REFER SERVICING TO DOREL JUVENILE GROUP CONSUMER RELATIONS (800-544-1108).

CHANGES OR MODIFICATIONS NOT EXPRESSLY APPROVED BY THE PARTY RESPONSIBLE FOR COMPLIANCE COULD VOID THE USER'S AUTHORITY TO OPERATE THE EQUIPMENT.

This device complies with Part 15 of the FCC Rules. Operation is subject to the following two conditions: (1) this device may not cause harmful interference, and (2) this device must accept any interference received, including interference that may cause undesired operation.

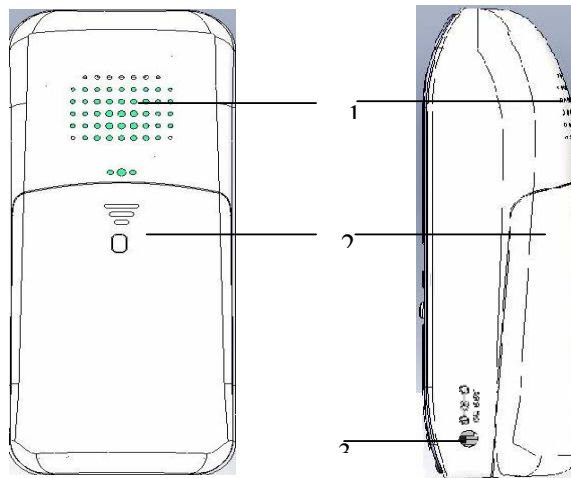
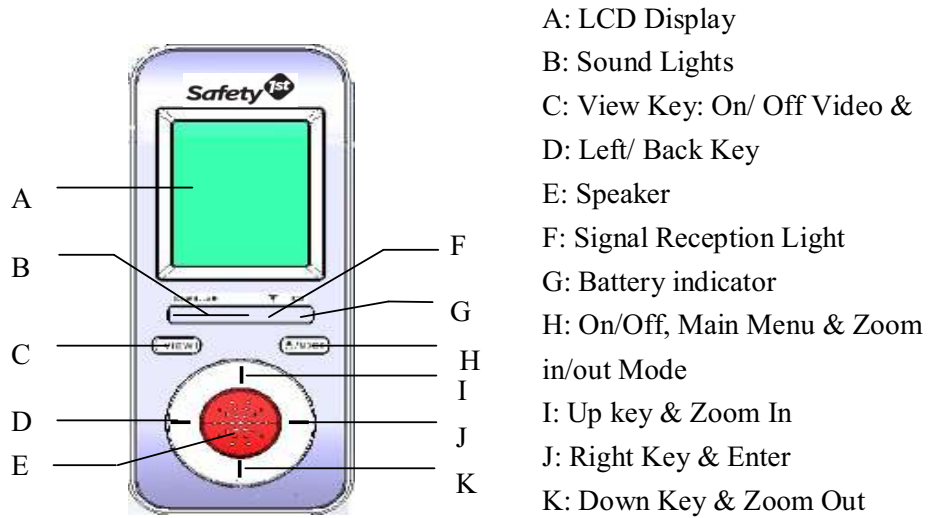
FCC RF Radiation Exposure Statement:

This equipment complies with FCC radiation exposure limits set forth for an uncontrolled environment. End users must follow the specific operating instructions for satisfying RF exposure compliance. This transmitter must not be co-located or operating in conjunction with any other antenna or transmitter.

CAUTION:

- When using batteries check batteries regularly. **DO NOT** use Video Baby Monitor in portable mode when batteries are low.
- **Batteries Must Be Recycled or Disposed of Properly.**

Features and Components

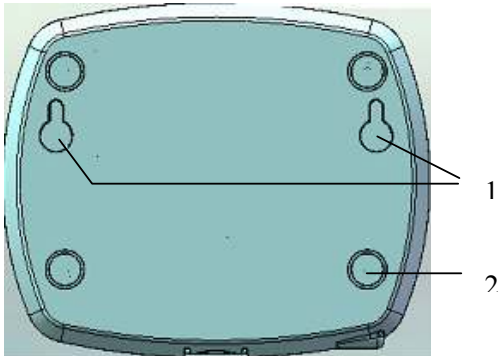
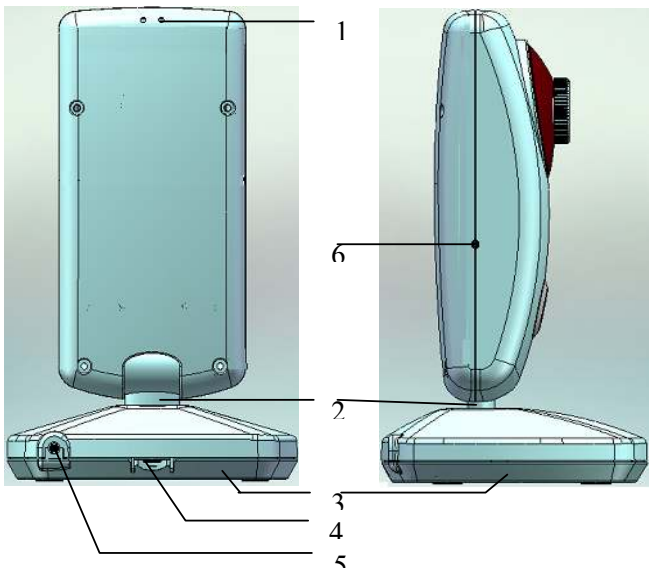
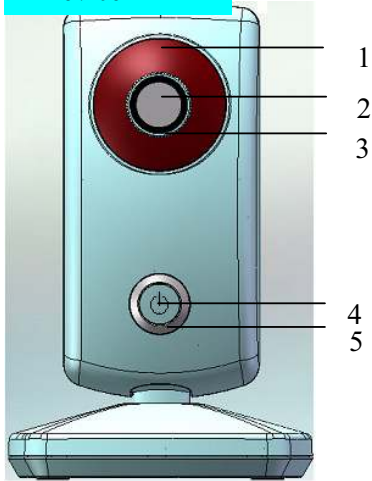


- A: Video monitor indicator: CAM1/2/3/4
 B: Volume indicator

1
 2
 3
 After you have turned the Portable Video Receiver on, the name “Safety 1st” will appear on the display. This is called Standby mode.

Main Menu

- Time Out
- AUTO_Level
- Night
- Device



To Set Up the Portable Video Receiver

CAUTION

- When using batteries, check battery indicator regularly. Red LED indicates the batteries are low. **DO NOT** use on Portable Video Receiver when batteries are low.

NOTE: The Portable Video Receiver may use either the AC adapter or batteries. When plugged in, the AC adapter will be the source of power and the rechargeable batteries will be charged.

For AC Power Use: Connect the AC adapter into the side of the Portable Video Receiver. Connect the AC adapter into a power outlet. **CAUTION: DO NOT** use an adapter that did not come with this product.

For Battery Use: Remove the battery door of the Portable Video Receiver. Insert 3 AAA rechargeable batteries (match polarity as indicated).

To Set up the Portable Video Monitor

CAUTION

- When using batteries, check battery indicator regularly. Red LED indicates the batteries are low. Replace the batteries when batteries are low or convert to AC power.




NOTE: The Portable Video Monitor may use either the AC adapter or batteries. When plugged in, the AC adapter will be the source of power.

For AC Power Use: Connect the AC adapter to the back of the Portable Video Monitor. Connect the AC adapter into a power outlet. **CAUTION: DO NOT** use an adapter that did not come with this product.

For Battery Use: Remove the battery door of the Portable Video Monitor. Insert 3 AA batteries (match polarity as indicated).

Operating Your Video Baby Monitoring System

To Use the Portable Video Receiver and Portable Video Monitor:


- Power on the Portable Video Receiver by pressing and holding /MODE for 3 seconds. The indication light will turn yellowish green and blink.
- One to four Portable Video Monitor (s) can be paired up to the Portable Video Receiver. To pair up, please follow the following steps:
 1. Portable Video Receiver: Go to **Main Menu** by pressing /MODE twice, select **Device** and press **Enter**. Place Portable Video Receiver and Baby's Unit within 1 metre.
 2. Portable Video Monitor: Press  on Baby Unit 6 seconds so that Baby Unit will enter matching mode. The indication light will blink twice.
 3. Portable Video Receiver: At the same time, choose Add under Device and press Enter to search for the available Baby Unit.
 4. The word "Success" and "CAM 1/2/3/4" will be shown on the display if the Portable Video Receiver can be paired up with a Baby's Unit. Only one Baby Units can be paired up with the Portable Video Receiver each time. Redo steps 1 to 3 to pair up more Portable Video Monitors.
 5. The word "Failure" will be shown on the display if the connection fails. Retry by redo steps 1 to 3.



Attention:

1. The pair up of Portable Video Receiver and Portable Video Monitor may fail if the matching time is prolonged and the indication light is on but no longer blinks.
2. The pair up of Portable Video Receiver and Portable Video Monitor may also fail if there are strong signals around.

To disconnect Portable Video Monitor from the Portable Video Receiver, please following the following steps:

1. Go to **Main Menu** by pressing /MODE twice, select Device and press Enter.
2. A list of connected Portable Video Monitor will show upon selecting Delete and press Enter. Press Up/Down to choose the Portable Video Monitor for disconnection and press Enter for confirmation.



Attention: The disconnected Portable Video Monitors will not function unless reconnection is made.

- Adjust the volume to a suitable level.

- Picture adjustments: Adjust the camera until desired picture displays. Adjust the picture's quality by using the control on the Portable Video Monitor. If you would like to sleep in a dark room with the sound on you can turn off the display of Portable Video Receiver.
- Sound lights: The 3 sound lights on the Portable Video Receiver indicate the sound level of the baby. The more noise your baby makes, the more sound lights will illuminate.

CAUTION: Test the Parent's Unit before each use. It is essential to check reception regularly.

- Zoom in/out function. To use the zoom:
 - Press **⏻/MODE** once to enter the Zoom in/out mode. A letter "Z" will appear at the right end corner of the display.
 - Press and hold **UP** for 3 seconds to enter 200% zoom. "X2" will appear at the lower part of the display. Press and hold **UP** for another 3 seconds to enter 400% zoom. "X4" will appear at the lower part of the display.
 - To resume to "X2" or the normal size, press and hold **DOWN** for 3 seconds.
 - During zoom-in mode with "X2"/"X4" shown on the display, press **UP**, **DOWN**, **ENTER**, **CANCEL** to move the video.
 - To quit the Zoom in/out mode and go to standby mode, press **VIEW** once and the letter "Z" will disappear from the display.