

Chapter

5

Maintaining Talkman Batteries

The Talkman terminal needs a charged battery to operate. The battery is placed into a battery housing assembly kit. This section shows you how to place the battery into the housing assembly and how to maintain the battery.

The battery is the primary power source for the Talkman terminal. It is charged by the battery charger, then is connected to the Talkman terminal. If you find that the Talkman terminal can no longer run as long as it used to with a fully charged battery, the battery may need to be replaced.

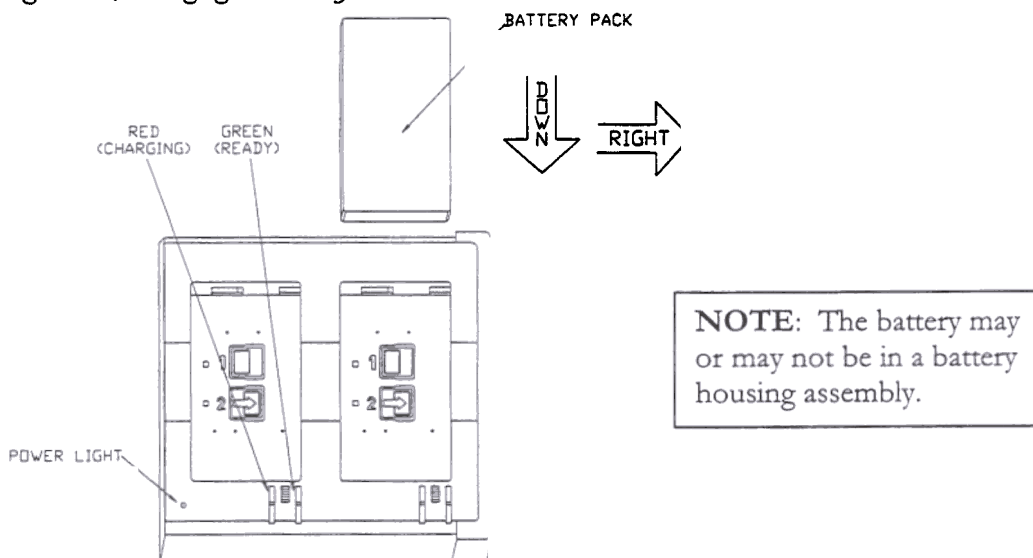
Placing the Battery into the Battery Housing Assembly kit

Along with your Talkman terminal, you received a battery housing assembly kit. Please refer to Appendix B: Battery Housing Assembly Kit guide for directions on how to house your battery.

Charging the Battery

The battery is charged by connecting it to the battery charger. Do the following to charge the battery:

Figure 5-1, Charging the Battery



1. Plug the battery charger into the power supply and the power supply into a known good electrical outlet. The power light on the battery charger will go on.
2. Place the battery into an unused receptacle on the battery charger (see Fig. 5-1). The battery is inserted properly when the battery contacts are positioned securely against the corresponding number of contacts in the battery charger. At this point, a red light on the cradle should go on to indicate that the battery is being charged or waiting to be charged. If no light turns on, contact your system administrator.

Talkman® Open Operator's Guide

3. The battery is charged and ready for use when the indicator light on the battery charger turns green. If the red battery light is on and solid, it is being charged, but is not yet fully charged. A flashing red LED means that the battery is not ready to be charged (for example, battery is too cold or too hot or the other battery is being charged and this one is waiting its turn).

Note

This battery charger will only work with approved batteries and power supplies. Please check with your system administrator.

Installing Battery in the Talkman terminal.

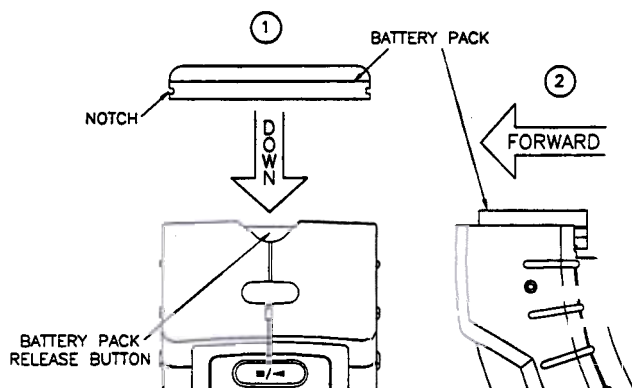
To install a Talkman battery, follow these steps:

1. Make sure that the battery has been charged before placing it in the Talkman terminal. If a drained battery is inserted, you will not be able to collect data.
2. Align the notch on the side of the battery with the notches inside the battery compartment (see Fig. 5-2).

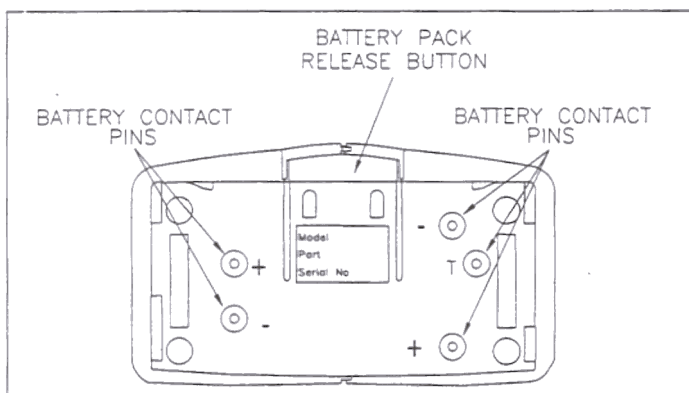
Talkman® Open Operator's Guide

1. Slide the battery into Talkman as shown in Fig. 6-2.

Figure 5-2 Installing Battery in the Talkman



NOTE: A battery is shown in this figure. You will be using a battery stored in a battery housing assembly kit



Battery compartment in Talkman

Removing Battery from Talkman

To remove the battery from Talkman:

1. Turn off Talkman by pressing and holding the yellow play/pause button until the Talkman terminal LED goes from solid red to off.

WARNING: Do not remove battery when the Talkman terminal is only paused (blinking green LED). All data gathered will be lost!

2. Hold Talkman in one hand with the buttons facing up. Place your other hand under the battery while pressing down on the battery release button. The battery should slide off Talkman.
3. If the battery does not release on its own, hold down the battery release button while sliding the battery down from the Talkman terminal with your other hand.

Placing Talkman in its Cradle

1. Ensure that the Talkman cradle is powered. When powered, the Talkman cradle power light will be lit.
2. Place the Talkman terminal in the Talkman cradle as shown in Figure 5-3.
3. The Talkman terminal is ready for use when the status light on the Talkman terminal turns a solid or flashing green. A flashing red LED means that the Talkman terminal is not ready to be used (for example, the Talkman terminal is communicating over the RF network). If the Talkman terminal continuously displays a solid red light, contact your system administrator.

Talkman® Open Operator's Guide

Figure 5-3, Placing Talkman in the Talkman Cradle

