

Read the manual carefully before installing!

Lees aandachtig de gebruiksaanwijzing alvorens te beginnen met de installatie!

Bitte beobachten Sie den Gebrauchsanleitung bevor Sie anfangen mit installieren!.

S'il vous plaît, lisez attentivement le mode d'emploi avant commencer l'installation!





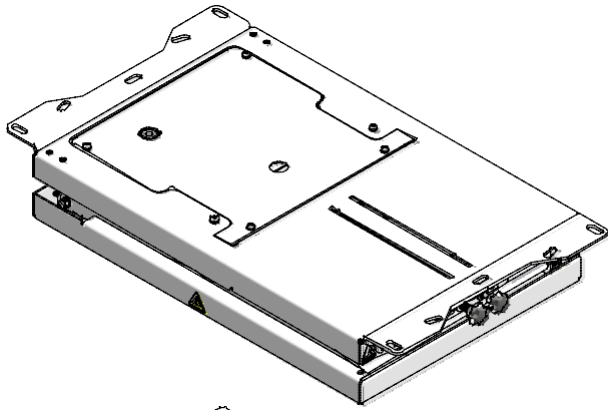
PPL 1035

PPL 1070

Mounting instructions
Montagevoorschrift
Instructions de montage
Montageanleitung

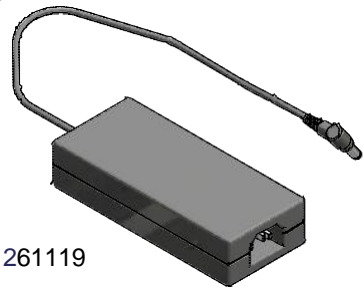
Checklist Controle lijst Checkliste

1x

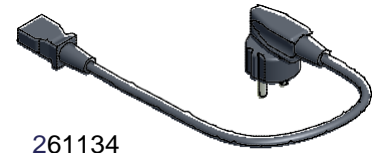


1x

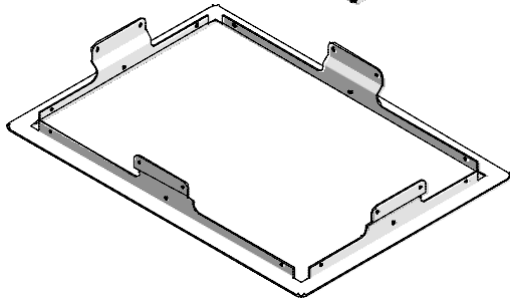
261119



261134

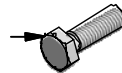


1x



1x

DIN 933 - M6 x 20

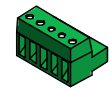


4X

DIN 125 - A 6.4



4X

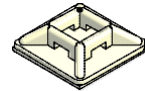


1X

ISO 7380 - M4 x 12



8X



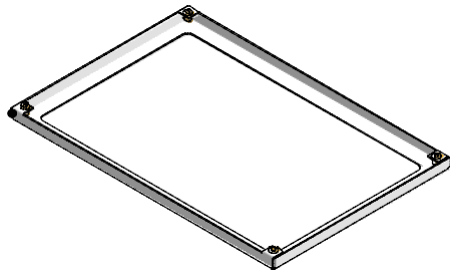
1X

DIN 125 - A 4.3



8X

1x



4x



4x



Optional Optioneel Optional

PPA 450 PPL INTERFACE SMALL



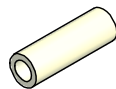
PPA 550 PPL INTERFACE LARGE



PPA 610 PPL RF CONTROL SET



2x 440109



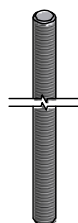
12x DIN 125 - M6



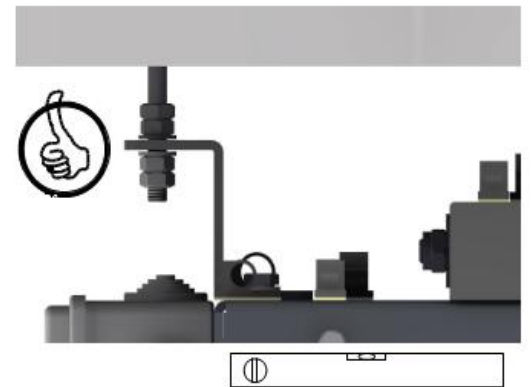
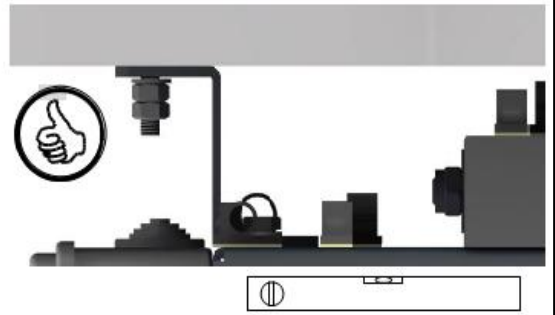
12x DIN 934 - M6



4x DIN 975 - M6X245



1.



Advice only. (Not included)

$\geq 4x$

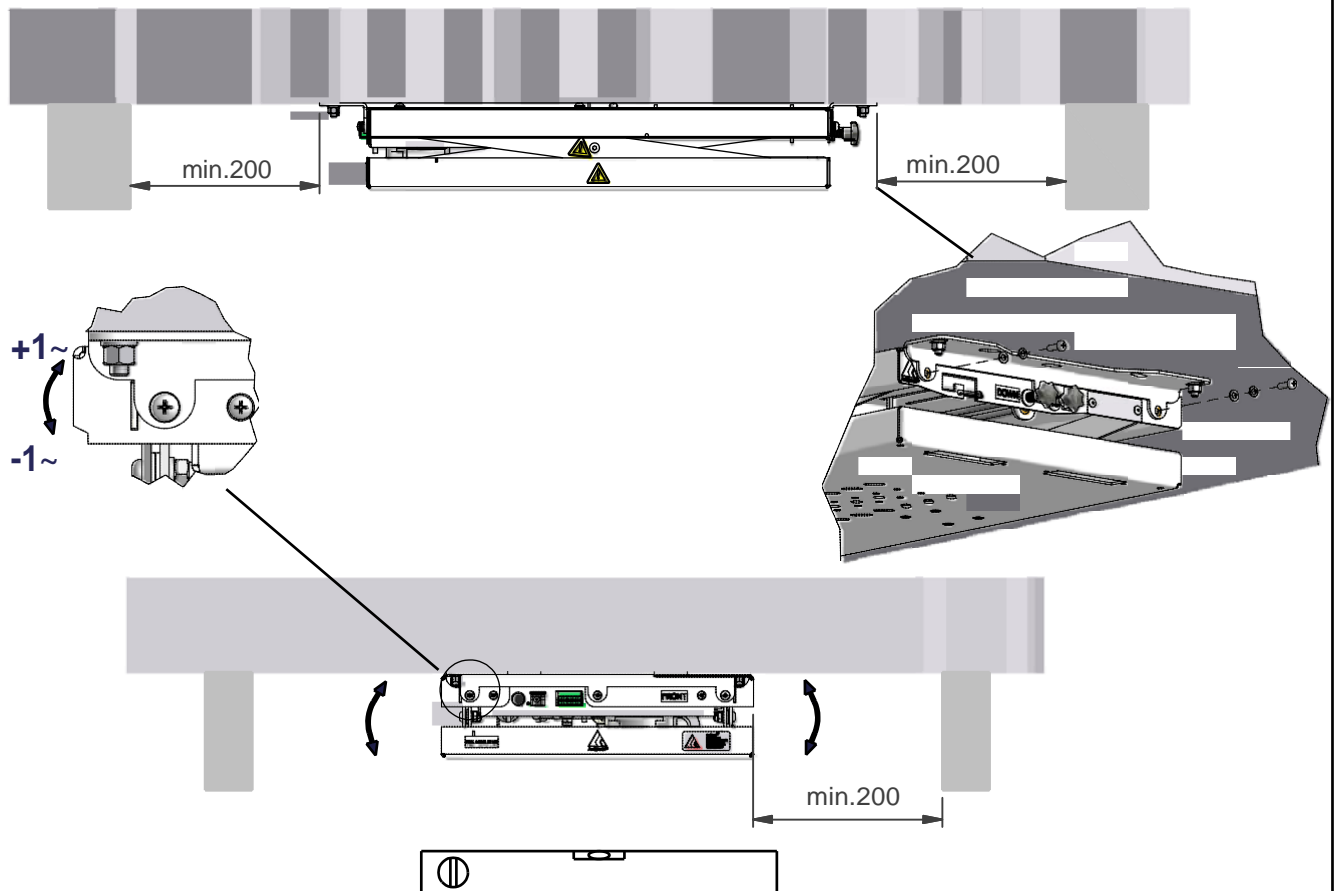
CONCRETE
BETON
BETON
BETON
DIN 16268 - M6x75



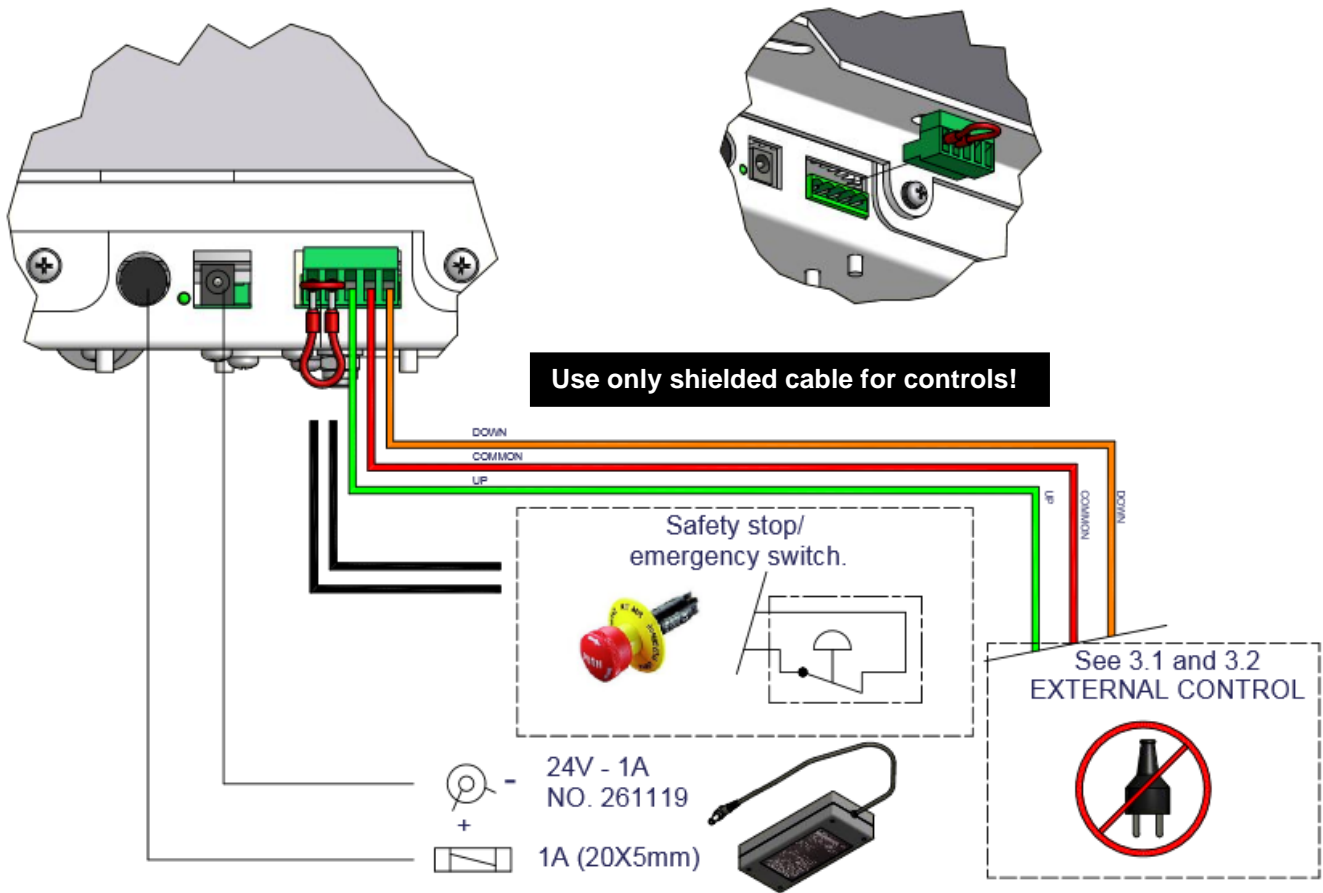
WOOD
HOLZ
BOIS
HOUD
DIN 571 - M6x80



2.



3.

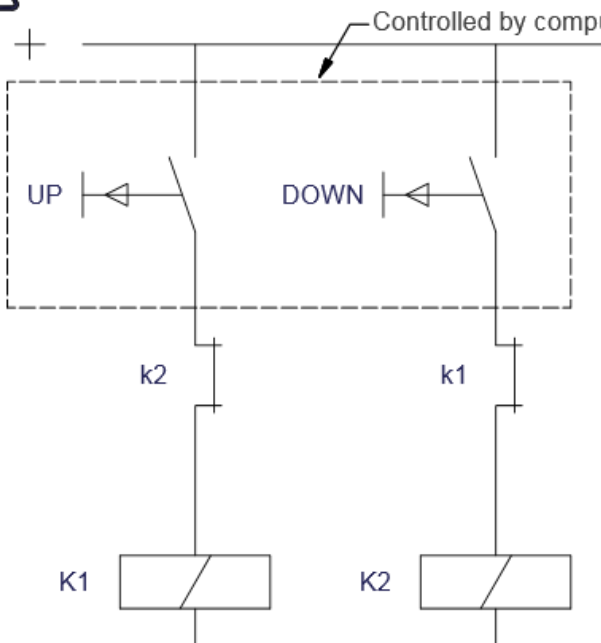


3.1 External control: control by relay.

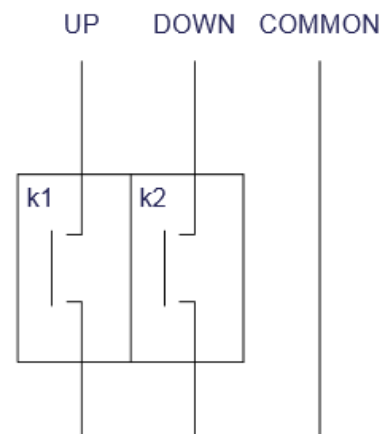


WARNING:
The tension on these wires
can be 12-24 VDC and **230 VAC!**

Note: to control the system pulse or constant,
and adjust the maximum power, please see
'appendix 260204 MOTOR CARD'.



External cable control box

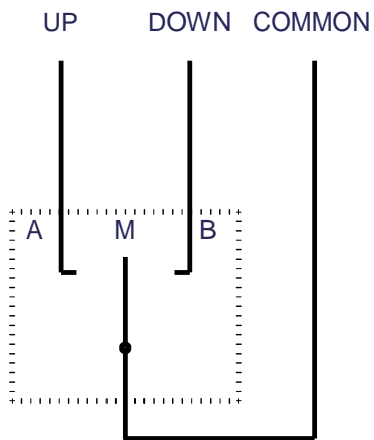


-K1 and K2 are relays.
-k1 and k2 are relays.

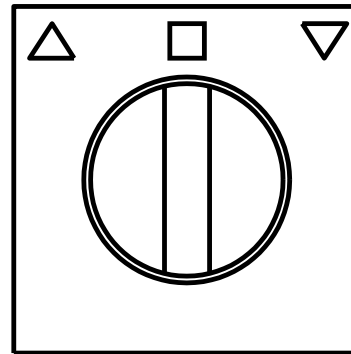
Use only shielded cable for controls!

3.2 External control: by PPA 620 wall switch.

External cable control box
(not the motor control box!)



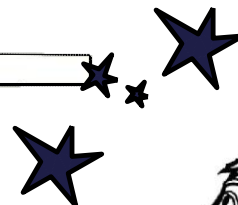
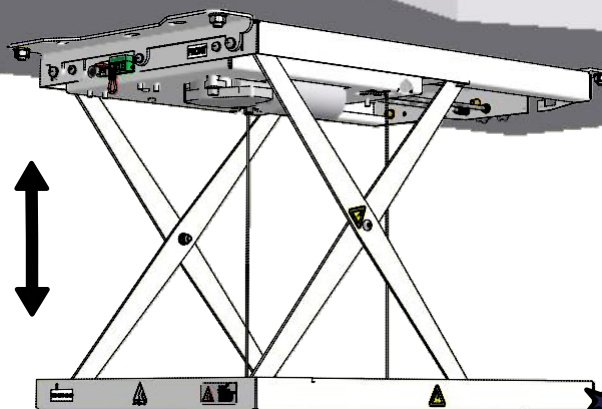
Wall switch
(with neutral position)
(not supplied)



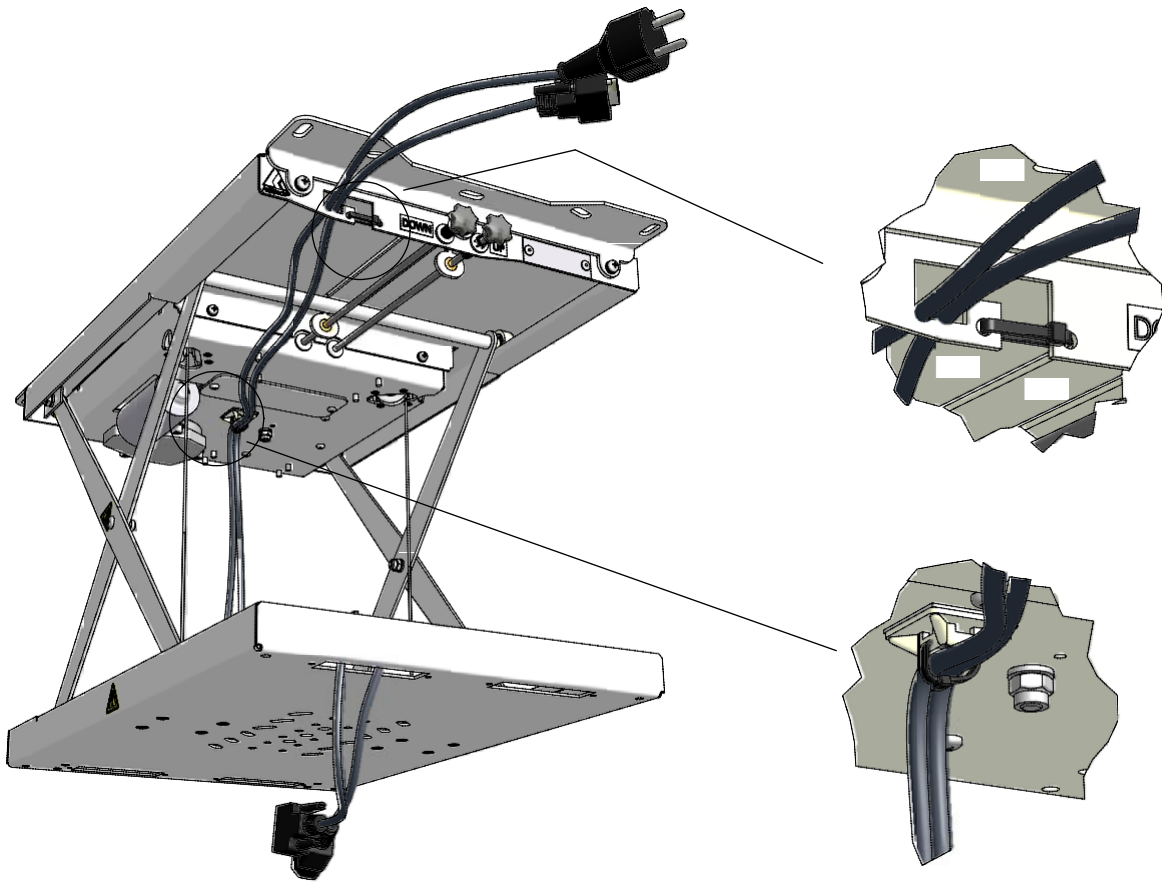
- A and B are potential free contacts.
- A: up or down.
- B: down or up.
- M: middle position (!).

Use only shielded cable for controls!

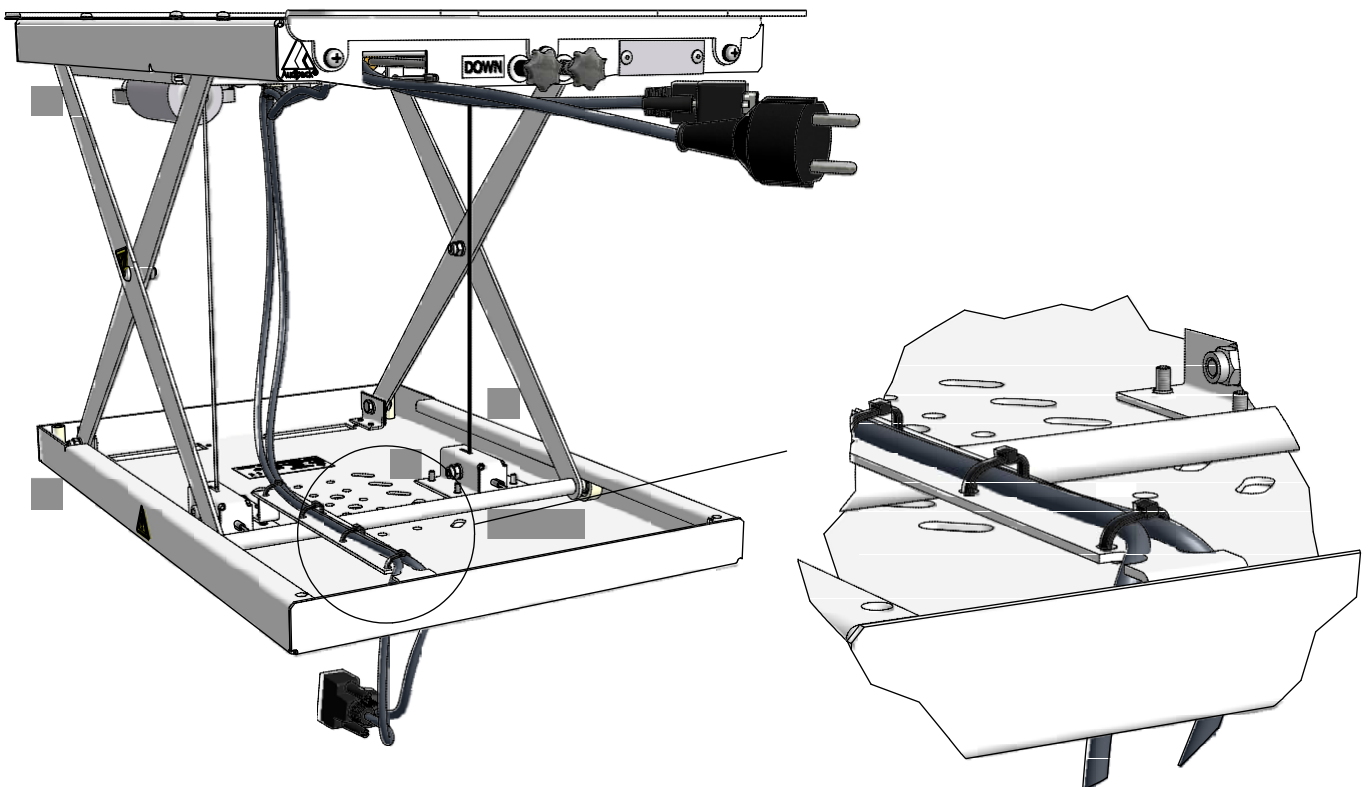
4.



5.



6.

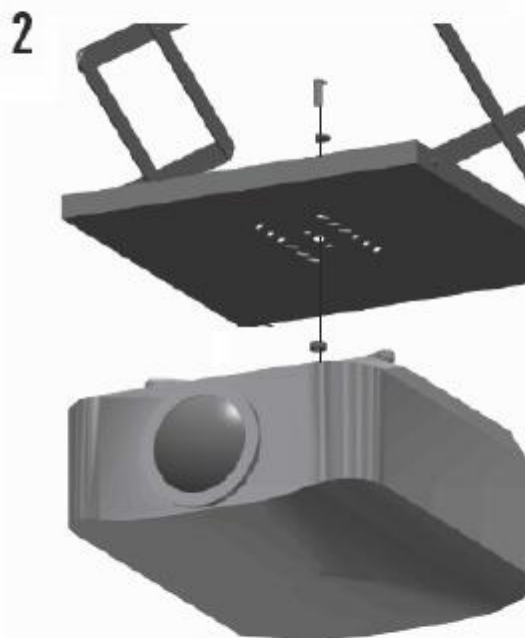
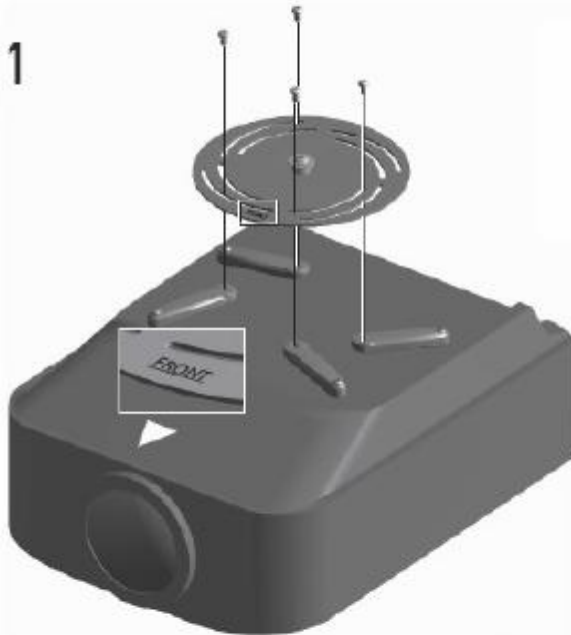


PPL 1035
PPL 1075



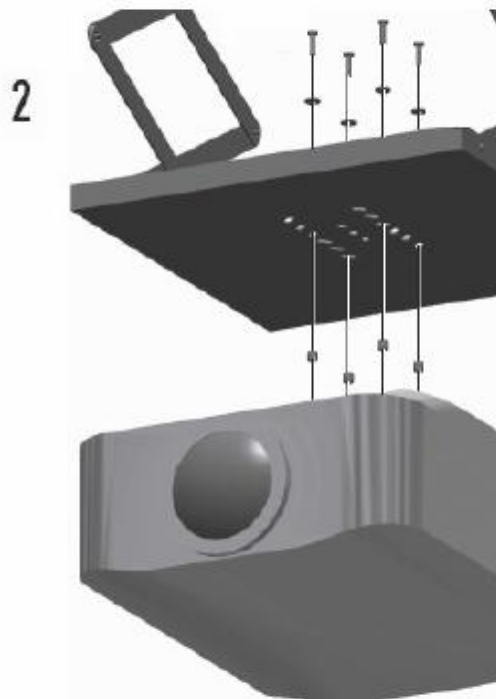
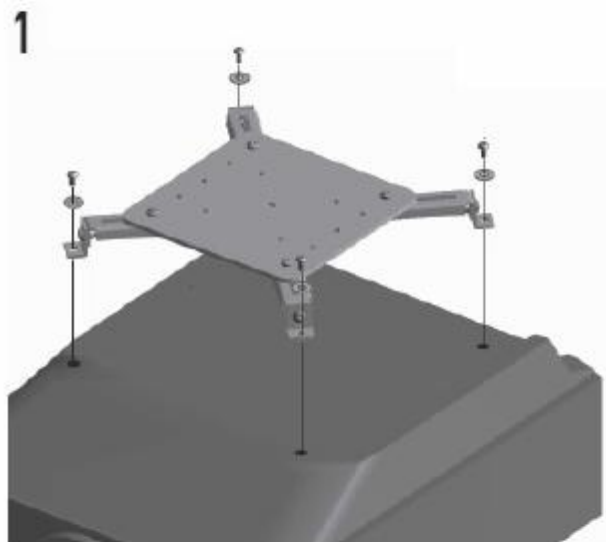
Interface NOT included!
Always order a:
PPA 450 or PPA 550 PPL interface

PPA 450 Projector support



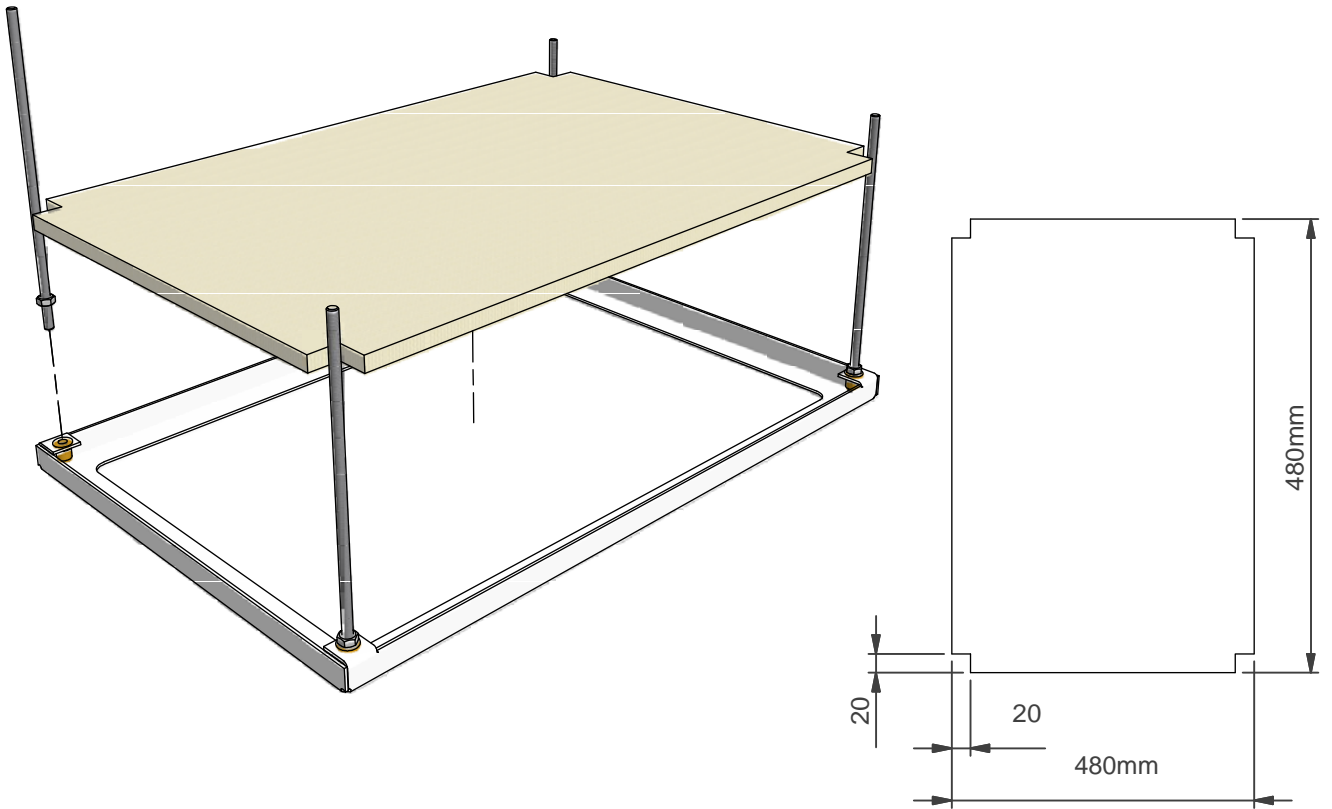
PPA 450 PPL Interface small
Range: Ø30 – 450mm
Max. weight: 25 kg

PPA 550 Projector support

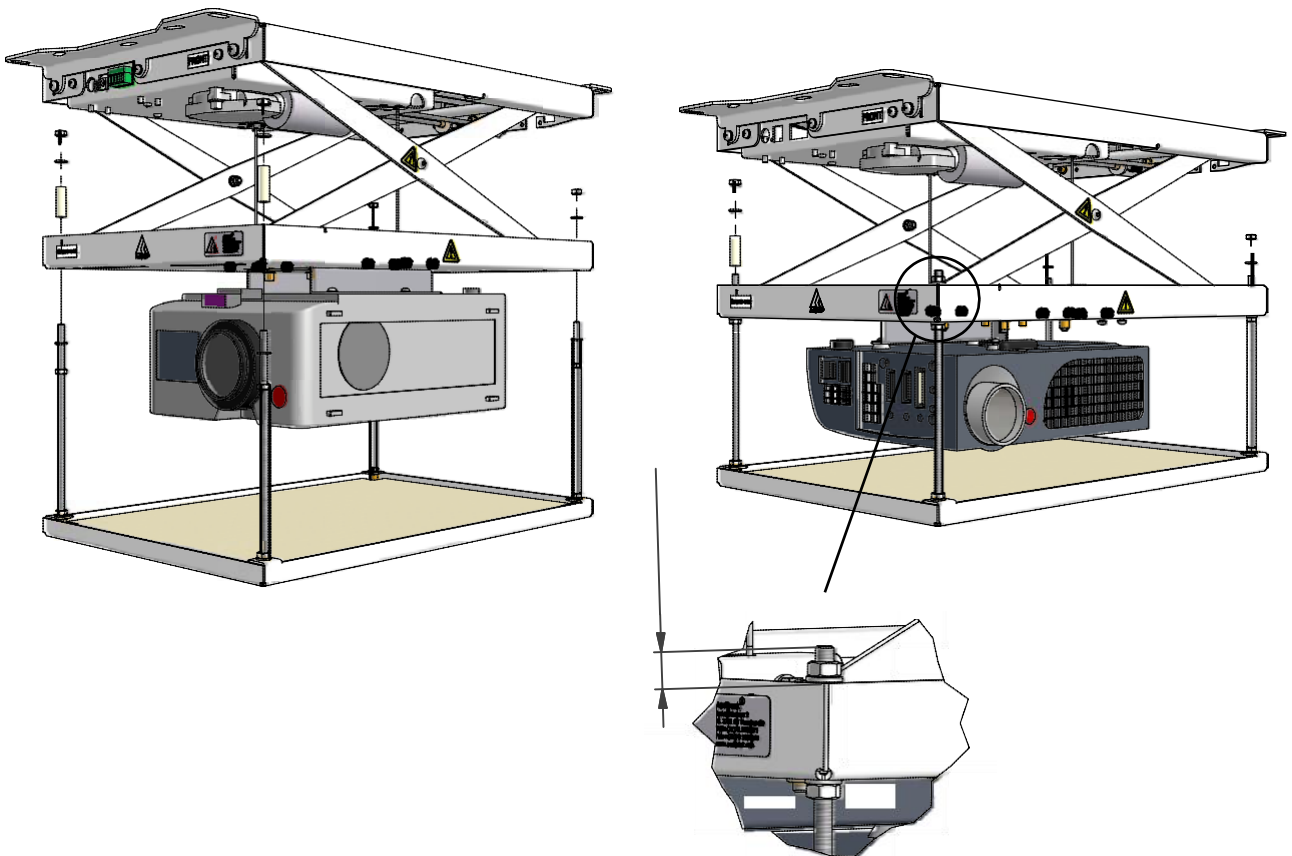


PPA 550 PPL Interface small
Range: Ø30 – 550mm
Max. weight: 35 kg

9.

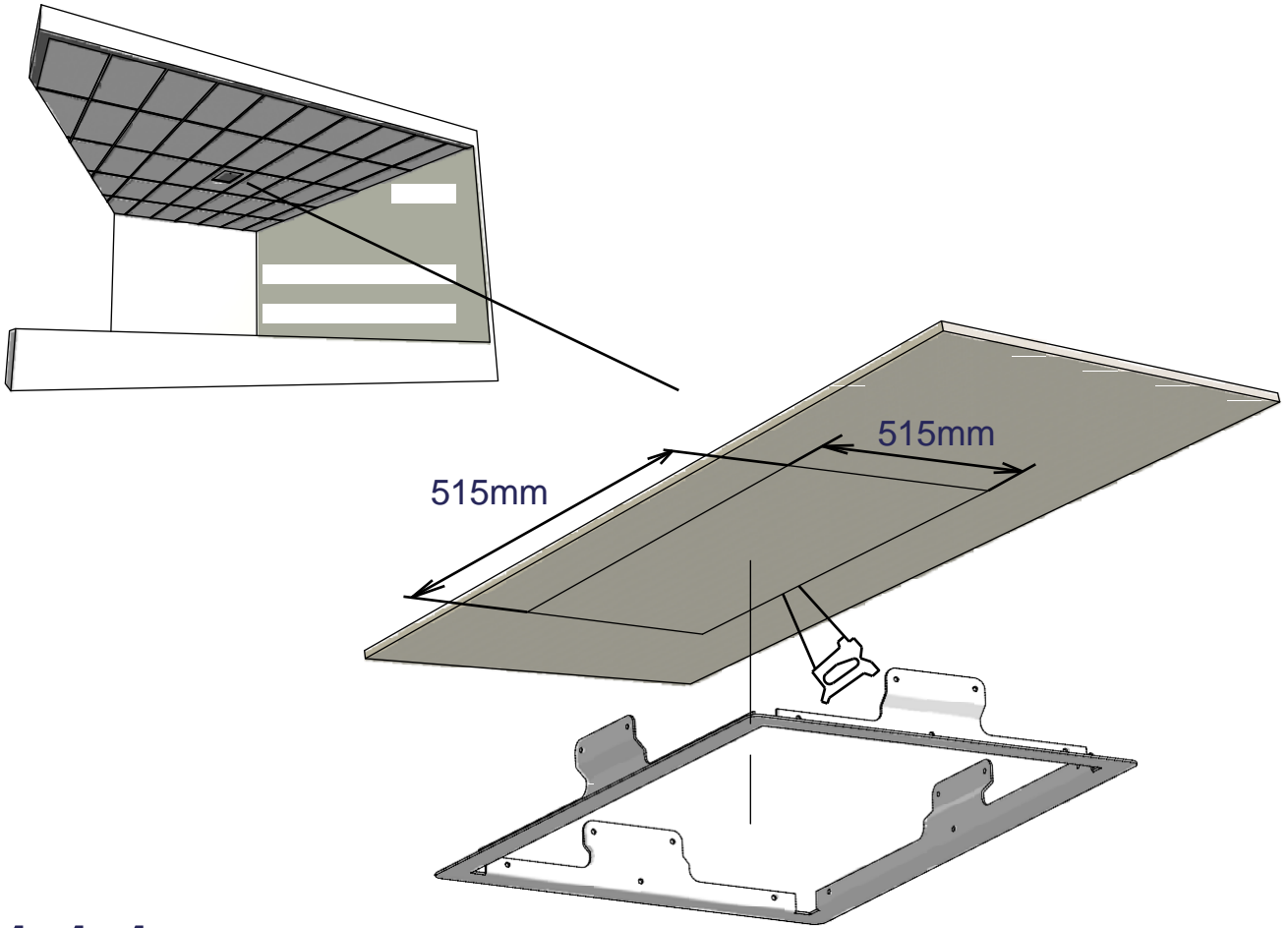


10.

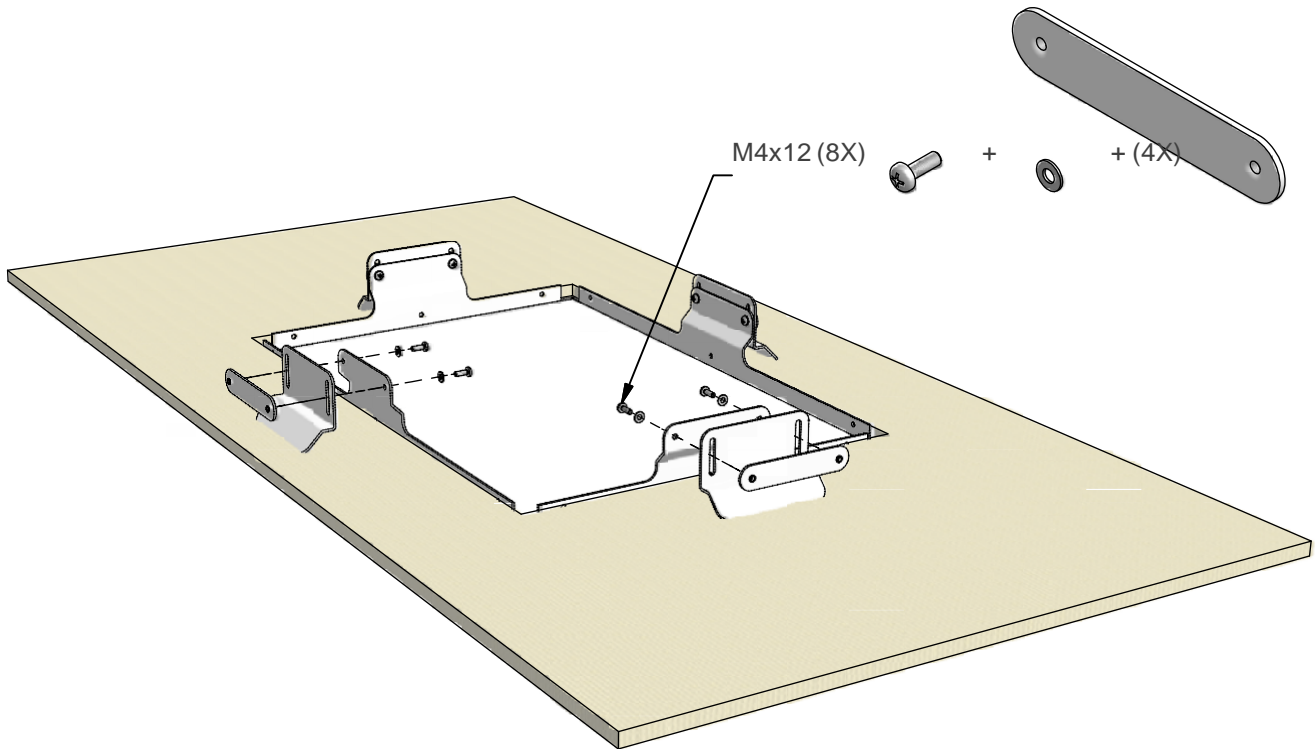


Dimensions are indications, not to be used for any preparations. No rights can be derived from the above dimensions.

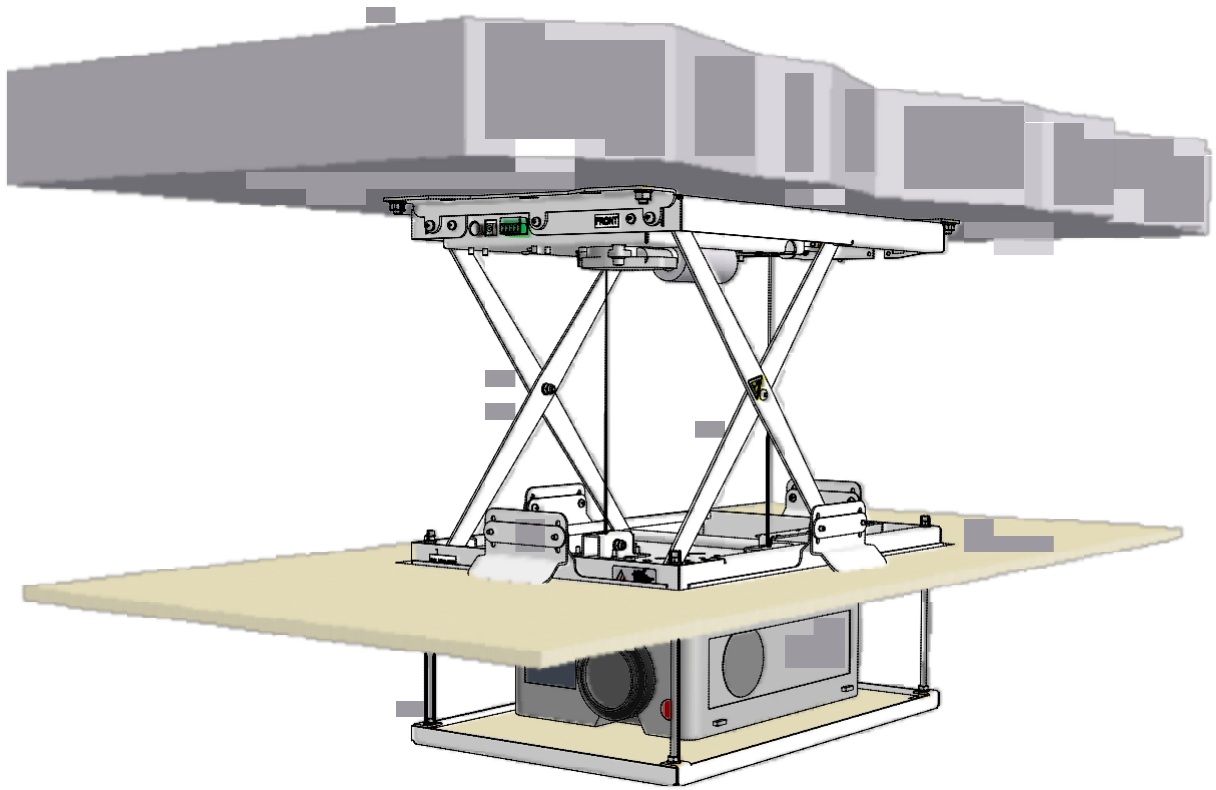
11.1.



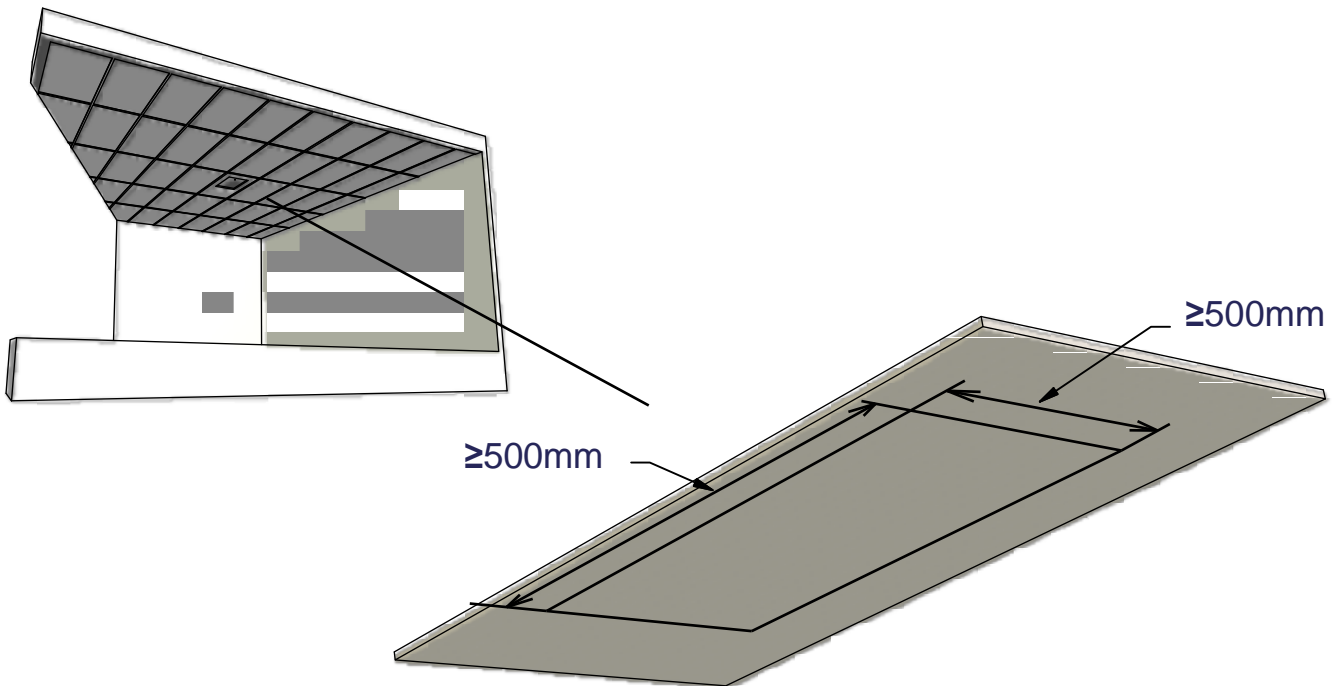
11.1.1.



11.1.2.

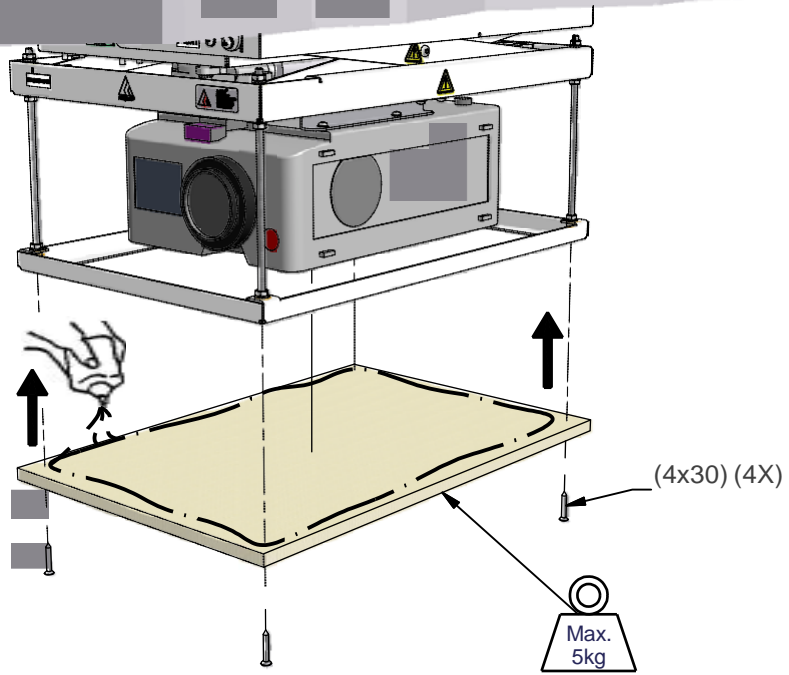


11.2.

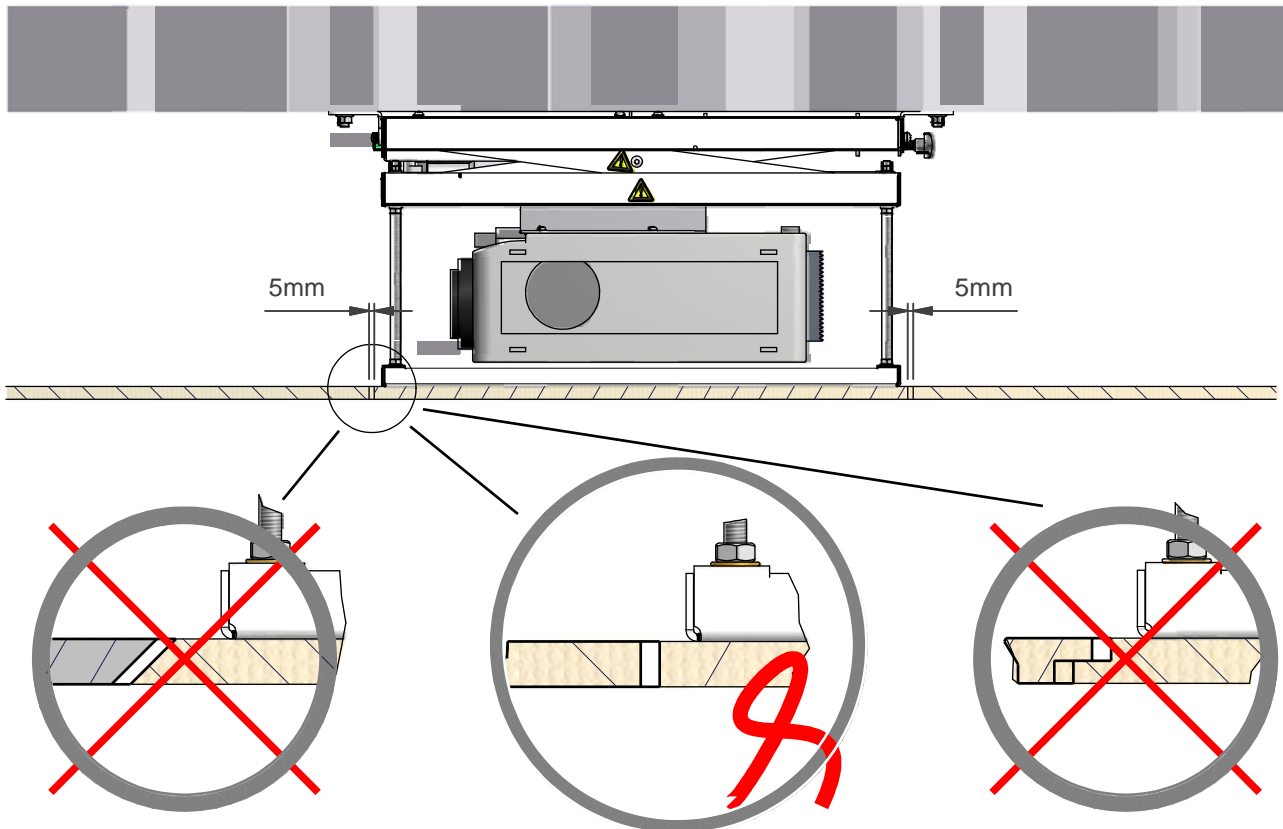


Dimensions are indications, not to be used for any preparations. No rights can be derived from the above dimensions.

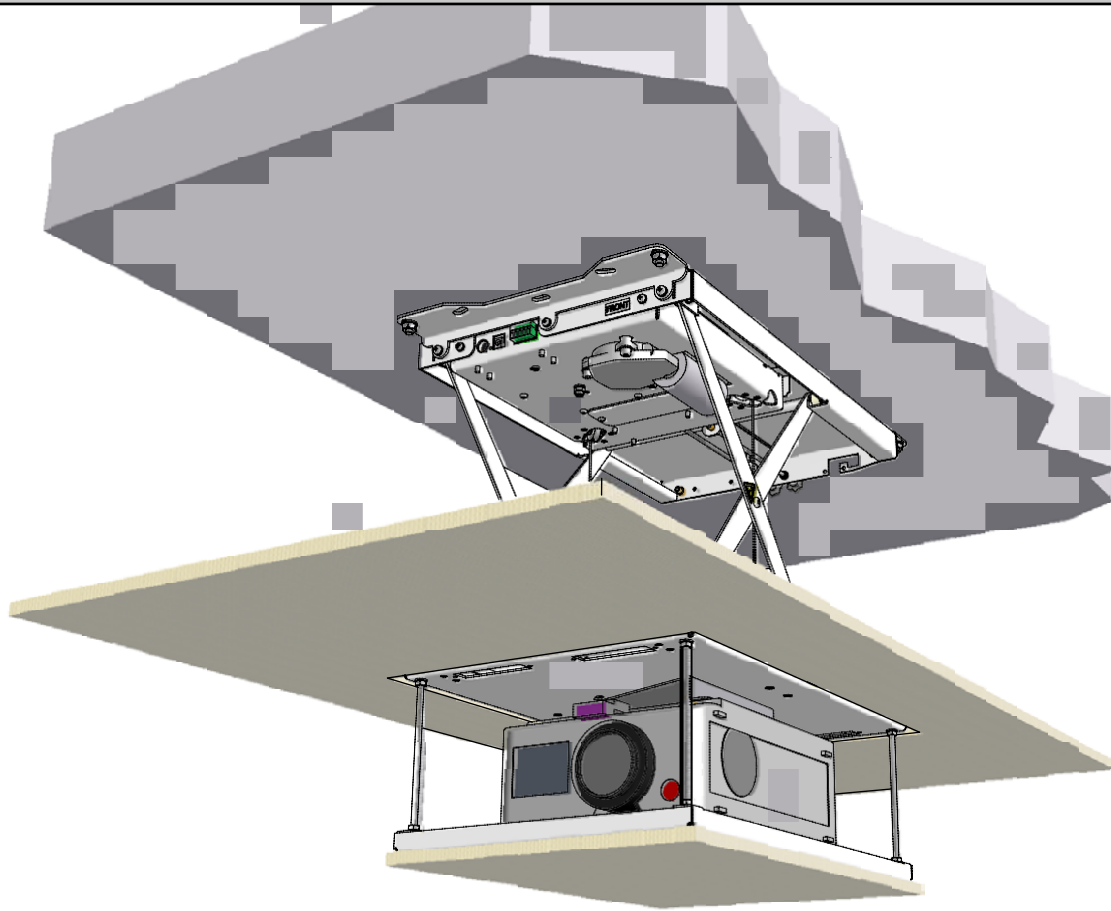
11.2.1.



11.2.2.

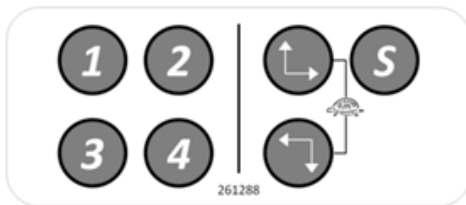


11.2.3.



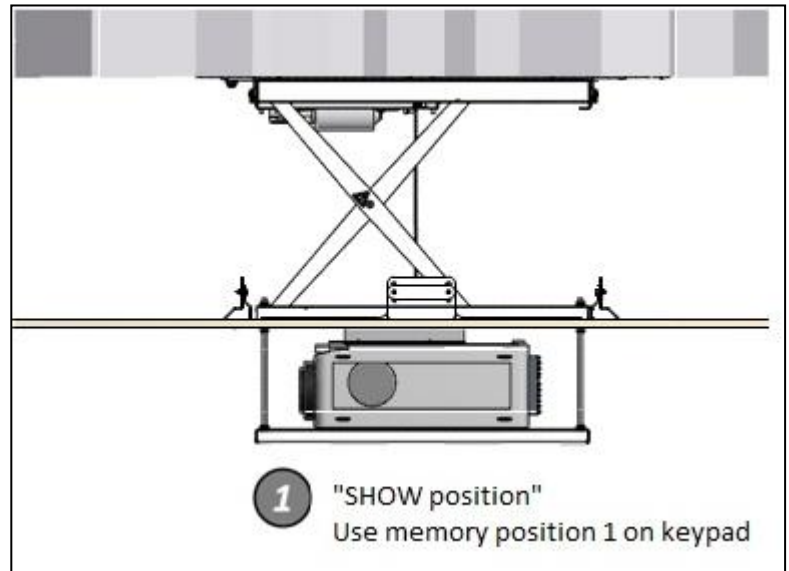
12.

Keypad programming





1				Go to memory position 1
2				Go to memory position 2
3				Go to memory position 3
4				Go to memory position 4
S				Set memory in combination with 1,2,3 or 4
↗				Moving direction Up/right
↘				Moving direction Down/left

12



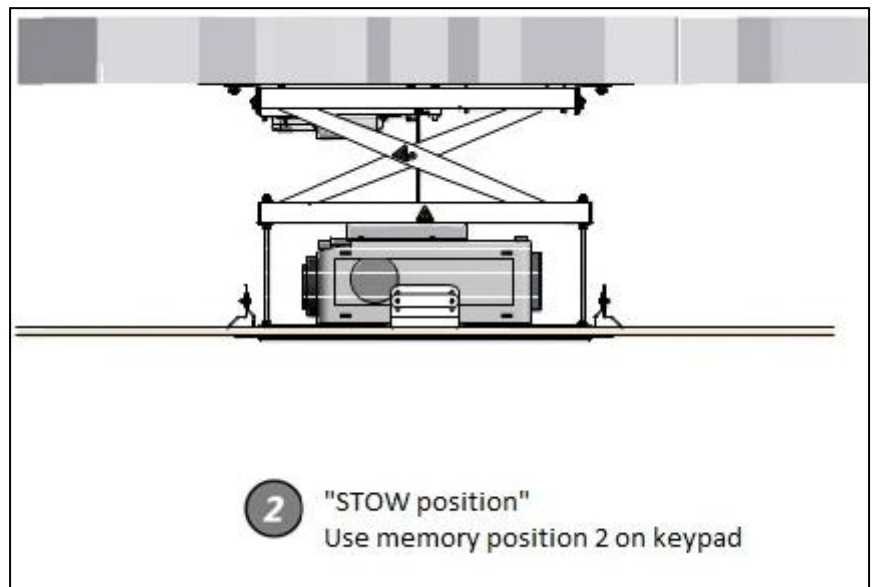
Programming the "SHOW" position

Press **S** on the keypad

Move the lift to the desired "SHOW" position with the   buttons.



Save the "SHOW" position by holding **S** then press **1** release **1** and then release **S**

12.1



Programming the "STOW" or TOP position

Press **S** on the keypad

Move the lift to the desired "SHOW" position with the   buttons.

Save the "SHOW" position by holding **S** then press **2** release **2** and then release **S**

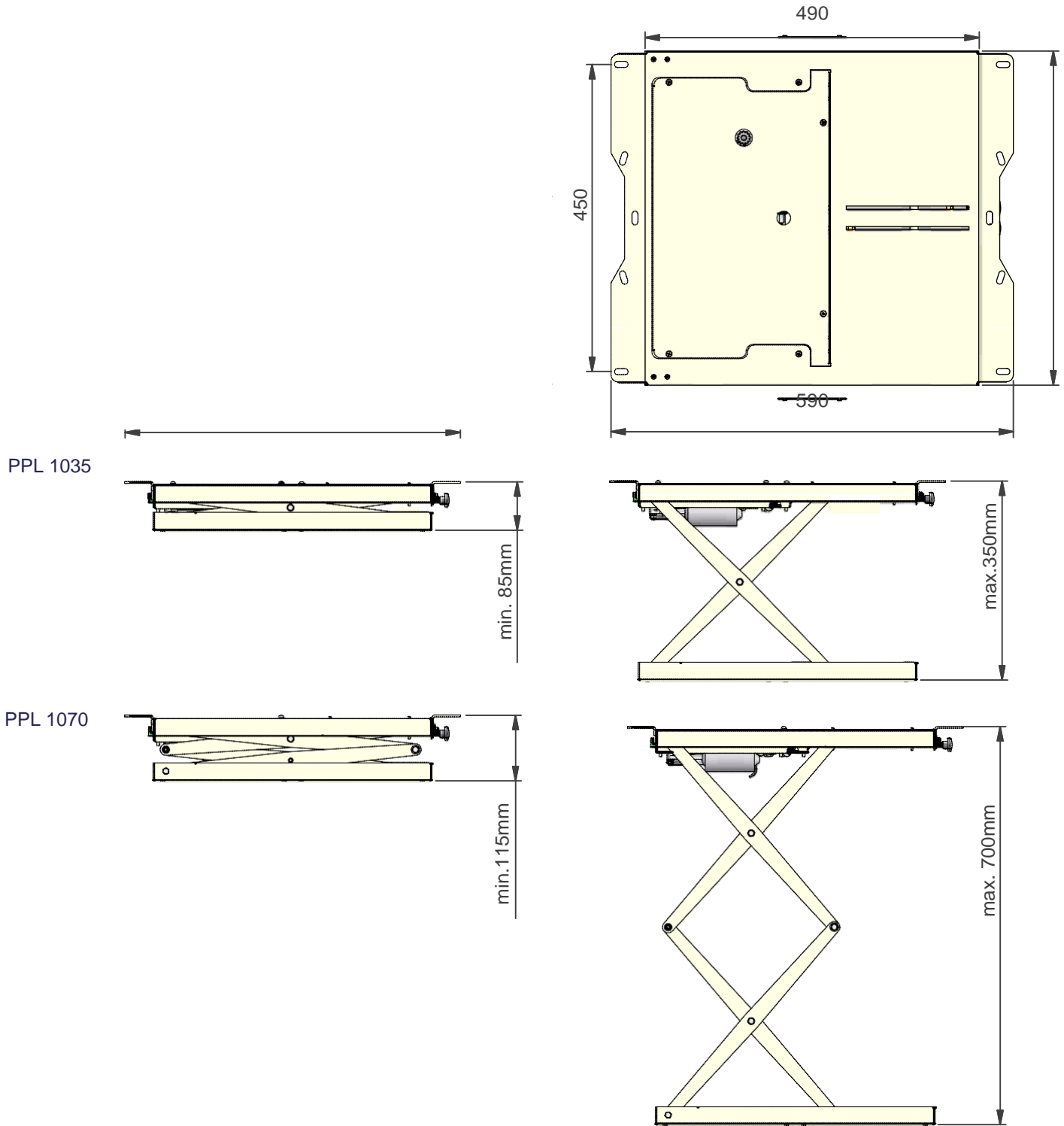
12.3

RS-232

For instructions how to connect via RS-232 see attached manual

TECHNICAL DATA PPL 1035 / PPL 1070

DIMENSIONS



POWER	PRIMAIR - 100-240 V AC, 47~63Hz / SECUNDAIR 24V DC, 1.05A
LOAD	MAX. 10 kg

Dimensions are indications, not to be used for any preparations. No rights can be derived from the above dimensions.

Vogel's's general conditions of sales and delivery apply to all of Vogel's deliveries. These conditions can be downloaded from Vogel's website, www.vogels.com/professional, or will be sent by post on request.

Vogel's liefert ausschließlich unter die allgemeine Verkauf- und Lieferungsbedingungen von Vogel's. Diese Bedingungen sind zum downloaden verfügbar auf die Webseite von Vogel's, www.vogels.com/professional, oder werden Ihnen auf Anfrage per Post gesendet.

Alle leveringen geschieden uitsluitend volgens de Algemene Verkoop- en Leveringsvoorwaarden van Vogel's. Een afschrift hiervan kunt u downloaden van de website van Vogel's, www.vogels.com/professional, of wordt u op aanvraag gestuurd per post.

Les conditions de vente et de livraison de Vogel's s'appliquent à tous les livraisons de Vogel's. Cettes conditions sont disponible sur le site internet de Vogel's, www.vogels.com/professional, où seront envoyé par poste sur demande.



Product : Ceiling lift
Type : PPL 1035 / PPL 1070

D **Konformitätserklärung für Maschinen**

Wir erklären hiermit daß die Produkte konform sind mit den einschlägigen Bestimmungen der EG-Maschinen richtlinie:

Maschinenrichtlinie 89/392/EEG mit 91/368/EEG und 93/44/EEG
EMC 89/336/EEG mit EN 55014 und EN 55104
Niederspannung 73/23/EEC mit EN 60335/1

F **Declaration CE de Conformite pour les machines**

Nous declare que les produits sont en conformité avec la Directive pour les machines

Machine 89/392/EEG with 91/368/EEG and 93/44/EEG
EMC 89/336/EEG with EN 55014 and EN 55104
(Low voltage 73/23/EEC with EN 60335/1)

GB **EC-declaration of conformity for machines**

We declare that aforesaid product is constructed in compliance with the following directives with the following directives

Machine 89/392/EEG with 91/368/EEG and 93/44/EEG
EMC 89/336/EEG with EN 55014 and EN 55104
(Low voltage 73/23/EEC with EN 60335/1)

E **EC-Declaracio'n de la conformidad para las máquinas**

Declaramos que el producto antedicho está construido en conformidad con los directorios siguientes

Machine 89/392/EEG with 91/368/EEG and 93/44/EEG
EMC 89/336/EEG with EN 55014 and EN 55104
(Low voltage 73/23/EEC with EN 60335/1)

NL **EG-verklaring van overeenstemming voor machines**

Wij verklaren dat bovengenoemd produkt volgens de onderstaande normen en richtlijnen is geconstrueerd:

Machine 89/392/EEG with 91/368/EEG and 93/44/EEG
EMC 89/336/EEG with EN 55014 and EN 55104
(Low voltage 73/23/EEC with EN 60335/1)

S **EG-försäkran om överensstämmelse**

Tillverkare försäkrar härmed att produkt är tillverkade i överensstämmelse med EG's Maskindirektiv:

Machine 89/392/EEG with 91/368/EEG and 93/44/EEG
EMC 89/336/EEG with EN 55014 and EN 55104
(Low voltage 73/23/EEC with EN 60335/1)