



PORTABLE WIRELESS SPEAKER

MODEL AWSBT6 INSTALLATION AND OPERATION MANUAL

IMPORTANT INFORMATION

CAUTION
RISK OF ELECTRIC SHOCK.
DO NOT OPEN.

Caution: To reduce the risk of electric shock, do not remove cover (or back). No user serviceable parts inside. Refer servicing to qualified service personnel.

Important Safety Instructions

1. Read these instructions.
2. Keep these instructions.
3. Heed all warnings.
4. Follow all instructions.
5. Clean only with dry cloth.
6. Do not block any ventilation openings. Install in accordance with the manufacturer's instructions.
7. Do not install near any heat sources such as radiators, heat registers, stoves, or other apparatus (including amplifiers) that produce heat.

8. Protect the power cord from being walked on or pinched particularly at plugs, convenience receptacles, and the point where they exit from the apparatus.
9. Unplug this apparatus during lightning storms or when unused for long periods of time.
10. Refer all servicing to qualified service personnel. Servicing is required when the apparatus has been damaged in any way, such as power-supply cord or plug is damaged, liquid has been spilled or objects have fallen into the apparatus, the apparatus has been exposed to rain or moisture, does not operate normally, or has been dropped.

For PLUGGABLE EQUIPMENT, the socket-outlet shall be installed near the equipment and shall be easily accessible.

The apparatus shall not be exposed to dripping or splashing or placed near objects filled with liquids.

Care and Maintenance

- Always use a soft cloth to clean the speaker and transmitter. Never use any product containing alcohol or other solvents as they may damage the surface.
- Use caution when plugging the power transformers in an AC outlet to avoid the risk of electric shock.
- If the speaker are used outside on a deck or patio, make sure you take them indoors in the event of a rainstorm to prevent possible damage.
- Do not operate or store the system in extreme temperatures (below 32°F/0°C and above 122°F/50°C).

Product Information

Keep your sales receipt to obtain warranty parts and service and for proof of purchase. Attach it here and record the serial and model numbers in case you need them. These numbers are located on the product.

Model No.: _____

Purchase Date: _____

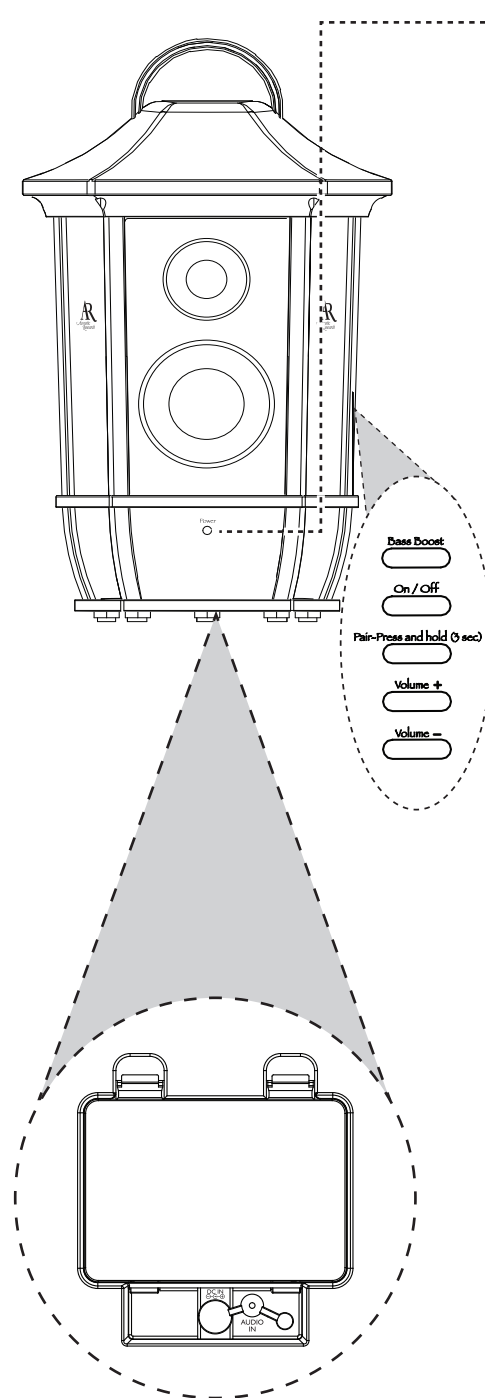
Dealer/Address/Phone: _____

INTRODUCTION

The Acoustic Research AWSBT6 portable wireless speaker makes it easy to take your music wherever you go and share it whenever you want, with *Bluetooth*® wireless connectivity and an built-in auxiliary input.

This manual covers various connection options and detailed operating instructions for making the Acoustic Research Portable Wireless Speaker a valued part of your lifestyle. If, after having reviewed the instructions, you have any questions, please call toll-free 1-800-732-6866 or visit www.acoustic-research.com.

TOUR OF THE SPEAKER



Front panel

Power and Pairing indicator shows the status of the speaker.

Blue, slow blinking: The speaker is on but not paired or connected (like when you turn the speaker on for the first time).

Blue, fast blinking: The speaker is in *Bluetooth* pairing mode. See the *Bluetooth* Setup section for more information.

Solid blue: The speaker is paired with a *Bluetooth*-enabled device and ready to play audio.

Back panel

Bass Boost button turns the speaker's bass enhancement on and off

On-Off button turns the speaker on and off.

Pair-Press and hold (3 sec) puts the speaker in pairing mode for *Bluetooth* setup (press and hold for 3 seconds). See the *Bluetooth* setup section for more information.

Volume +/- buttons adjust the speaker's volume level.

Bottom panel

Audio Input connects directly to your MP3 player, smartphone, or other portable audio device, using the 3.5mm audio in cable provided.

DC IN receives the small round end of the included 10V 1500mA AC power adapter; remove the protective cover to insert the adapter.

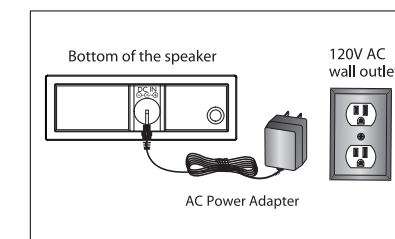
Battery Compartment Cover remove to install 6 AA batteries.

POWERING THE SPEAKER SYSTEM

Powering the Speaker

There are two options to power your wireless speaker: using the included AC power adapter or using 6 AA batteries (not included).

AC Power Adapter



1. Insert the small, round plug from the speaker AC power adapter into the DC IN jack on the bottom panel of the speaker.
2. Plug the other end of the speaker AC power adapter into any standard 120V AC wall outlet.

Notes: Be sure to use the speaker AC power adapter rated 10V DC 1500 mA.

The power unit should be plugged in so that it stays vertical or lies flat.

AA Batteries

1. Remove the battery compartment cover on the bottom of the speaker.
2. Insert six (6) AA batteries (not included) into the speaker following the polarity ("+" and "-") as diagrammed inside the battery compartment.
3. Replace the battery compartment cover on the bottom of the speaker.

Note: Place the rubber cap in the speaker power input jack when using batteries.

DO NOT mix batteries with different chemistry types (for example, a zinc battery with an alkaline battery). **DO NOT** mix new and used batteries. **DO NOT** leave batteries installed in the product when not in use for long periods. Always remove old, weak or worn-out batteries promptly and recycle or dispose of them in accordance with local and national regulations.

SETTING UP BLUETOOTH WIRELESS

Pairing

The *Bluetooth*-enabled device that you wish to stream audio to your speaker system must first be paired to the speaker. The process is simple, and in most cases the pairing process needs to be done only once.

To pair your *Bluetooth*-enabled device with the speaker:

1. Make sure your device's *Bluetooth* is turned on. See the wireless and/or network settings menu on your device to check.
2. If the speaker isn't already on, press the On-Off button to turn it on. You will hear a beep to indicate the speaker is turned on. The indicator light on the front of the speaker starts flashing blue.
3. Press and hold for 3 seconds the Pair button to enter pairing mode. You will hear 2 beeps to indicate pairing mode is entered. The indicator on the front of the speaker starts blinking faster.
4. Open the *Bluetooth* settings menu on your device. Select "AR SPEAKER" from the list of devices available (you might have to scan for devices). If your device asks for a password, enter "0000".
5. A confirmation screen will appear on your device once the speaker and the device are successfully paired. The blue indicator turns solid blue to indicate successful connection. The speaker is now ready for you to stream audio from your device.
6. Turn the volume on your device to at least 3/4 max, then start playing something on the device. Control the speaker volume on the speaker itself, using the Volume +/- buttons on the back of the speaker.

Note:

- If you notice the sound from the speaker is distorted, turn down your device's volume.

SETTING UP BLUETOOTH WIRELESS

Streaming Audio With *Bluetooth*

Once you've paired and connected your device with the speaker, you can control music playback from the palm of your hand. Select your music, stop it, change songs and playlists, all right from your device's screen.

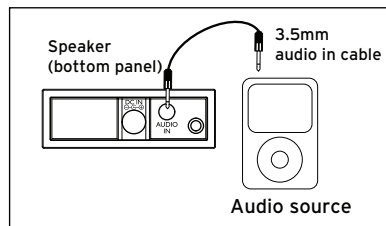
To adjust volume: Press the Volume +/- buttons on back of the speaker.

To disconnect from the speaker: Either turn *Bluetooth* off on your device or choose "Disconnect" from the list of options in your device's *Bluetooth* settings.

To reconnect with the speaker: Just turn the speaker on and wait a few seconds for the speaker to find and connect to your device. If the speaker still hasn't found your device (which may happen if, for instance, another device has been connected after yours) make sure the speaker isn't connected to another device currently. Then select the AR SPEAKER from the list of *Bluetooth* connections available in your device's *Bluetooth* menu to connect to it.

USING THE AUXILIARY AUDIO INPUT

Making a Direct Connection



1. Connect one end of the provided 3.5mm audio in cable to the Audio Input jack on the bottom of the speaker.
2. Connect the other end of the cable to the headphone output on your MP3 player or other portable audio device.
3. If the speaker isn't already on, press the On-Off button to turn it on.

Warning: *This product is designed to work with line level outputs or headphone outputs only. DO NOT connect it directly to speaker outputs as it will permanently damage the speaker.*

TURNING THE SPEAKER OFF

1. Press the On-Off on the back of the speaker to turn the speaker off.
2. Confirm that the speaker is off by verifying that the indicator light on the speaker's front panel is no longer illuminated.

TROUBLESHOOTING

The following troubleshooting guide takes you through some of the more common problems associated with the installation and/or operation of a wireless system. If the problem persists, please call toll-free at 1-800-732-6866 or visit www.acoustic-research.com.

Issue:	Cause and solution:
No sound	<ul style="list-style-type: none">• Check that the AC power adapter is fully inserted into the wall outlet and the power cord from the AC adapter is firmly connected to the speaker's power input jack.• or• If you're using batteries for the speaker, check that they are fresh and inserted with correct polarity (+, -). Make sure the batteries are fresh and replace if necessary.• Confirm that the speaker is turned on.• Check that the audio source component (stereo, MP3 player, etc.) is turned on and transmitting sound as it normally should.• Make sure the volume on your audio source is turned up.• Check that the speaker volume is turned up.• Move the <i>Bluetooth</i> device and the speaker closer together. The <i>Bluetooth</i> wireless technology generally can operate within a range of 35 feet. However results may vary based on other factors such as room layout, wall material, weather conditions, etc.• Make sure you have switched to the speaker's <i>Bluetooth</i> connection when streaming audio with <i>Bluetooth</i>.• Make sure you entered the correct passkey when pairing your device.
Cannot pair the speaker with your <i>Bluetooth</i> device	<ul style="list-style-type: none">• Make sure the <i>Bluetooth</i> capability of your device is turned on and discoverable.• Move the <i>Bluetooth</i> device and the speaker closer together. The <i>Bluetooth</i> wireless technology generally can operate within a range of 35 feet. However results may vary based on other factors such as room layout, wall material, weather conditions, etc.• Make sure your device supports audio transfer.• Turn off all other nearby <i>Bluetooth</i> devices or disable their <i>Bluetooth</i> functionality.

SPECIFICATIONS

Speaker

- *Bluetooth*® wireless technology: *Bluetooth* v2.1 + A2DP profile
- 2-way acoustic design: 10 Watt rated, 3" driver, 2" tweeter
- Audio output power: 7 Watt RMS (Maximum)
- Audio line-in
- Distortion : 1%
- S/N Ratio : 65dB (typical)
- Operation distance : Up to 10 meters (open area)
- Frequency response: 20Hz - 20kHz
- Operates using supplied AC adapter or six (6) AA batteries (not included)

**Maximum range; results may vary according to environment.*

FCC Statement

This equipment has been tested and found to comply with the limits for a Class B digital device, pursuant to part 15 of the FCC Rules. These limits are designed to provide reasonable protection against harmful interference in a residential installation. This equipment generates, uses, and can radiate radio frequency energy and, if not installed and used in accordance with the instructions, may cause harmful interference to radio communication. However, there is no guarantee that interference will not occur in a particular installation. If this equipment does cause harmful interference to radio or television reception, which can be determined by turning the equipment off and on, the user is encouraged to try to correct the interference by one or more of the following measures:

- Reorient or relocate the receiving antenna.
- Increase the separation between the equipment and receiver.
- Connect the equipment into an outlet on a circuit different from that to which the receiver is connected.
- Consult the dealer or an experienced radio/TV technician for help.

FCC Regulations state that unauthorized changes or modifications to this equipment may void the user's authority to operate it.

RF Exposure Warning

This equipment must be installed and operated in accordance with provided instructions and the antenna(s) used for this transmitter must be installed to provide a separation distance of at least 20 cm from all persons and must not be co-located or operating in conjunction with any other antenna or transmitter. End-users and installers must be provided with antenna installation instructions and transmitter operating conditions for satisfying RF exposure compliance.

Industry Canada Regulatory Information

This device complies with RSS-210 of the Industry Canada Rules. Operation is subject to the following two conditions: 1) this device may not cause interference and 2) this device must accept any interference, including interference that may cause undesired operation of the device.

CAN ICES-3 (B)/NMB-3 (B)

IC Radiation Exposure Statement: This equipment complies with IC radiation exposure limits set forth for an uncontrolled environment.

The *Bluetooth*® word mark and logos are registered trademarks owned by Bluetooth SIG, Inc. and any use of such marks by VOXX Accessories Corporation is under license. Other trademarks and trade names are those of their respective owners.

12 MONTH LIMITED WARRANTY

VOXX Accessories Corporation (the "Company") warrants to the original retail purchaser of this product that should this product or any part thereof, under normal use and conditions, be proven defective in material or workmanship within 12 months from the date of original purchase, such defect(s) will be repaired or replaced (at the Company's option) without charge for parts and repair labor. To obtain repair or replacement within the terms of this Warranty, the product along with any accessories included in the original packaging is to be delivered with proof of warranty coverage (e.g. dated bill of sale), specification of defect(s), transportation prepaid, to the Company at the address shown below. Do not return this product to the Retailer.

This Warranty is not transferable and does not cover product purchased, serviced or used outside the United States or Canada. The warranty does not extend to the elimination of externally generated static or noise, to costs incurred for the installation, removal or reinstallation of the product.

The warranty does not apply to any product or part thereof which, in the opinion of the company, has suffered or been damaged through alteration, improper installation, mishandling, misuse, neglect, accident or exposure to moisture. This warranty does not apply to damage caused by an AC adapter not provided with the product, or by leaving non-rechargeable batteries in the product while plugged into an AC outlet.

THE EXTENT OF THE COMPANY'S LIABILITY UNDER THIS WARRANTY IS LIMITED TO THE REPAIR OR REPLACEMENT PROVIDED ABOVE AND, IN NO EVENT, SHALL THE COMPANY'S LIABILITY EXCEED THE PURCHASE PRICE PAID BY PURCHASER FOR THE PRODUCT.

This Warranty is in lieu of all other express warranties or liabilities. ANY IMPLIED WARRANTIES, INCLUDING ANY IMPLIED WARRANTY OF MERCHANTABILITY OR FITNESS FOR A PARTICULAR PURPOSE, SHALL BE LIMITED TO DURATION OF THIS WARRANTY. ANY ACTION FOR BREACH OF ANY WARRANTY HEREUNDER, INCLUDING ANY IMPLIED WARRANTY, MUST BE BROUGHT WITHIN A PERIOD OF 24 MONTHS FROM THE DATE OF ORIGINAL PURCHASE. IN NO CASE SHALL THE COMPANY BE LIABLE FOR ANY CONSEQUENTIAL OR INCIDENTAL DAMAGES WHATSOEVER. No person or representative is authorized to assume for the Company any liability other than expressed herein in connection with the sale of this product.

Some states/provinces do not allow limitations on how long an implied warranty lasts or the exclusion or limitation of incidental or consequential damage so the above limitations or exclusions may not apply to you. This Warranty gives you specific legal rights and you may also have other rights which vary from state/province to state/province.

U.S.A.: Audiovox Return Center, 150 Marcus Blvd., Hauppauge, New York 11788

CANADA: Audiovox Return Center, c/o Genco, 6685 Kennedy Road, Unit #3 Door 16, Mississauga Ontario L5T 3A5



HAUT-PARLEUR

SANS FIL

PORTATIF

MODÈLE AWSBT6

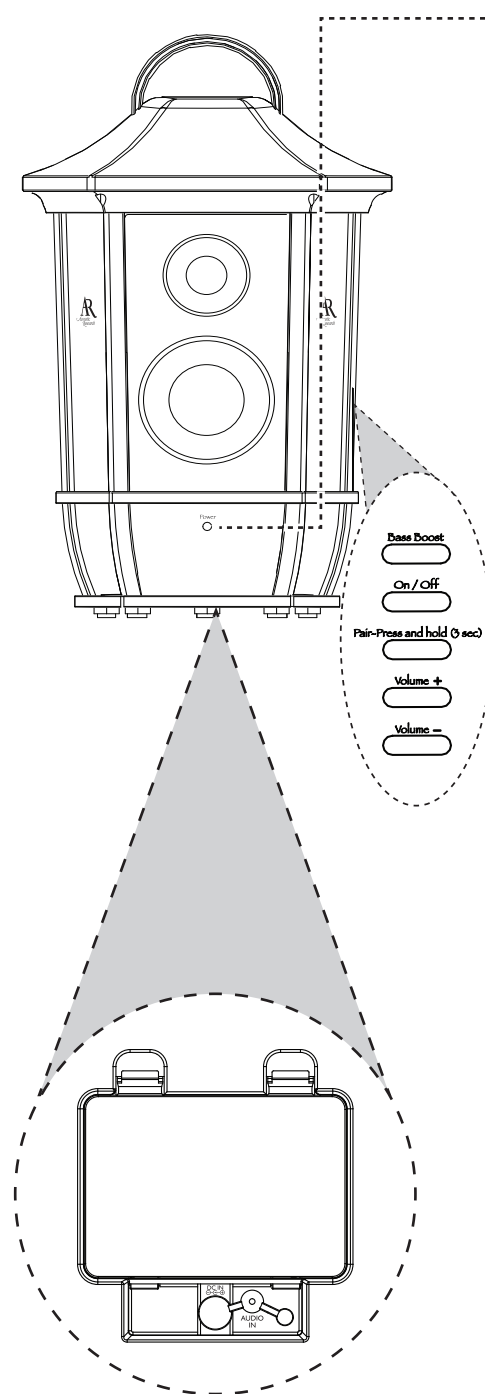
GUIDE D'INSTALLATION ET D'UTILISATION

INTRODUCTION

Le haut-parleur sans fil portatif AWSBT6 d'Acoustic Research vous offre une manière commode d'écouter votre musique partout où vous allez et de la partager lorsque vous le voulez, grâce à sa connectivité sans fil *Bluetooth*^{MD} et une entrée auxiliaire intégrée.

Ce guide présente plusieurs types de branchement et des instructions d'utilisation détaillées pour faire du haut-parleur sans fil portatif d'Acoustic Research un accessoire important dans votre style de vie. Si, après avoir lu les instructions, vous avez des questions, veuillez appeler le numéro sans frais 1-800-732-6866 ou visitez www.acoustic-research.com.

APERÇU DU HAUT-PARLEUR



Panneau avant

L'indicateur d'alimentation et d'appariement affiche l'état du haut-parleur.

Bleu, clignotement lent : Le haut-parleur est démarré, mais n'est pas apparié ou connecté (par exemple, lorsque vous démarrez le haut-parleur pour la première fois).

Bleu, clignotement rapide : Le haut-parleur est en mode d'appariement *Bluetooth*. Consultez la rubrique « Configuration *Bluetooth* » pour plus de renseignements.

Bleu, continu : Le haut-parleur est apparié à un appareil doté de *Bluetooth* et est prêt à jouer de la musique.

Panneau arrière

Le bouton **Bass Boost** active et désactive la fonction d'accentuation des graves du haut-parleur.

Le bouton **On-Off** démarre et ferme le haut-parleur.

Pair - Appuyez et gardez enfoncé (trois secondes) pour activer le mode d'appariement pour la configuration *Bluetooth* (appuyez et gardez enfoncé pendant trois secondes). Consultez la rubrique « Configuration *Bluetooth* » pour plus de renseignements.

es boutons **Volume +/-** permettent de régler le volume du haut-parleur.

Panneau inférieur

La prise **Audio Input** permet de brancher directement votre lecteur MP3, votre téléphone intelligent ou tout autre appareil audio portatif à l'aide du câble audio de 3,5 mm fourni.

La prise **DC IN** permet de brancher la petite terminaison ronde de l'adaptateur d'alimentation CA 10 V 1500 mA fourni; retirez le couvercle protecteur pour brancher l'adaptateur.

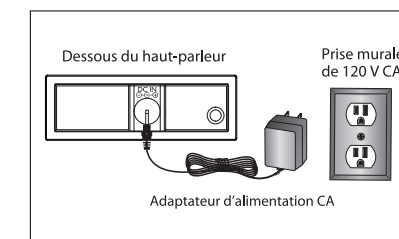
Retirez le **couvercle du compartiment des piles** pour installer six piles AA.

ALIMENTATION DU SYSTÈME DE HAUT-PARLEUR

Alimentation du haut-parleur

Deux options sont offertes pour alimenter votre haut-parleur sans fil : utiliser l'adaptateur d'alimentation CA fourni ou six piles AA (non fournies).

Adaptateur d'alimentation CA



1. Insérez la petite fiche ronde de l'adaptateur d'alimentation CA du haut-parleur dans la prise DC IN située sur le dessous du haut-parleur.
2. Branchez l'autre terminaison de l'adaptateur d'alimentation CA du haut-parleur dans une prise murale standard de 120 V CA.

Remarques : Assurez-vous d'utiliser l'adaptateur d'alimentation CA du haut-parleur, d'une puissance nominale de 10 V CC 1500 mA.

Cet adaptateur d'alimentation doit être branché de manière à ce qu'il soit à la verticale ou à l'horizontale.

Piles AA

1. Retirez le couvercle du compartiment des piles situé sur le dessous du haut-parleur.
2. Installez six (6) piles AA (non fournies) dans le haut-parleur, en respectant le diagramme des polarités (« + » et « - ») à l'intérieur du compartiment des piles.
3. Remplacez le couvercle du compartiment des piles sur le dessous du haut-parleur.

Remarque : Insérez le capuchon en caoutchouc dans la prise d'alimentation du haut-parleur lorsque vous utilisez des piles.

NE mélangez PAS des piles de types chimiques différents (par exemple, une pile au zinc avec une pile alcaline). NE mélangez PAS d'anciennes et de nouvelles piles. NE laissez PAS les piles installées dans l'appareil si vous ne l'utilisez pas pendant une période prolongée. Retirez toujours et rapidement les piles vieilles, faibles ou trop usées, et débarrassez-vous-en ou recyclez-les selon les règlements locaux et nationaux.

CONFIGURATION D'UNE CONNEXION BLUETOOTH SANS FIL

Appariement

L'appareil doté de *Bluetooth* duquel vous désirez transmettre des contenus audio vers votre haut-parleur doit d'abord être apparié au haut-parleur. La procédure est simple et, dans la plupart des cas, la procédure d'appariement n'a qu'à être effectuée une seule fois.

Pour appairier votre appareil doté de *Bluetooth* avec le haut-parleur :

1. Assurez-vous que la fonction *Bluetooth* de votre appareil est démarrée. Consultez le menu de configuration sans fil et/ou du réseau de votre appareil pour vérifier.
2. Si le haut-parleur n'est pas démarré, appuyez et gardez enfoncé le bouton On-Off pendant trois secondes pour le démarrer. Vous entendrez quatre tonalités pour indiquer que le haut-parleur est démarré. L'indicateur à l'avant du haut-parleur clignote en bleu.
3. Appuyez et gardez enfoncé le bouton Pair pendant trois secondes pour passer en mode d'appariement. Vous entendrez deux tonalités pour indiquer que le haut-parleur est en mode d'appariement. L'indicateur à l'avant du haut-parleur clignote plus rapidement.
4. Ouvrez le menu de configuration *Bluetooth* de votre appareil. Sélectionnez « AR SPEAKER » dans la liste des dispositifs disponibles (vous devrez peut-être rechercher des dispositifs). Si votre appareil demande un mot de passe, entrez « 0000 ».
5. Un écran de confirmation s'affiche sur votre appareil lorsque le haut-parleur et l'appareil ont été appariés avec succès. L'indicateur devient continuellement bleu pour indiquer une connexion réussie. Le haut-parleur est maintenant prêt à recevoir des contenus audio de votre appareil.
6. Augmentez le volume sur votre appareil à au moins 3/4 du maximum, puis démarrez la lecture sur l'appareil. Réglez le volume sur le haut-parleur, en utilisant les boutons Volume +/- situés à l'arrière du haut-parleur.

Remarque:

- Si vous remarquez de la distorsion dans le son émis par le haut-parleur, réduisez le volume de votre appareil.

INFORMATIONS IMPORTANTES

MISE EN GARDE

RISQUE DE DÉCHARGE ÉLECTRIQUE. NE PAS OUVRIR

Mise en garde : Afin de réduire les risques de décharges électriques, ne pas enlever le couvercle (ou l'arrière). Aucune pièce réparable par l'utilisateur ne se trouve à l'intérieur. Pour toute réparation, consultez du personnel de service qualifié.

Instructions de sécurité importantes

1. Lire ces instructions.
2. Conserver ces instructions.
3. Tenir compte de tous les avertissements.
4. Suivre toutes les instructions.
5. Nettoyer seulement avec un chiffon sec.
6. Ne bloquer aucune ouverture de ventilation. Installer conformément aux instructions du fabricant.
7. Ne pas installer près d'une source de chaleur, comme des radiateurs, des registres de chaleur, des poêles ou autres appareils (comme des amplificateurs) qui produisent de la chaleur.

8. Protéger le cordon d'alimentation de manière à ce qu'on ne puisse marcher dessus ou le pincer, surtout au niveau de la fiche, de la prise ou à la sortie du cordon de l'appareil.
9. Débrancher cet appareillage pendant les orages électriques ou s'il n'est pas utilisé pendant de longues périodes.
10. Confier l'entretien à du personnel qualifié. Faire réparer l'appareillage s'il a été endommagé de quelque manière, comme un cordon d'alimentation endommagé, du liquide versé ou des objets tombés sur l'appareil, une exposition à la pluie ou à l'humidité, s'il ne fonctionne pas normalement ou s'il est tombé.

En ce qui concerne les APPAREILS À BRANCHEMENT, la prise doit être installée près de l'appareil et doit être facilement accessible.

Cet appareil ne doit pas être exposé à des égouttements ou des éclaboussures et ne doit pas être placé près d'objets remplis de liquides.

Entretien et nettoyage

- Toujours utiliser un chiffon doux pour nettoyer le haut-parleur et l'émetteur. Ne jamais utiliser un produit qui contient de l'alcool ou d'autres solvants, car il risque d'endommager la surface.
- Faire preuve de prudence lors du branchement des transformateurs dans une prise de courant alternatif, afin d'éviter les risques de décharge électrique.
- Si les haut-parleurs sont utilisés à l'extérieur sur une terrasse ou sur un patio, veiller à les rentrer à l'intérieur en cas de pluie pour éviter de les endommager.
- Ne pas utiliser ou entreposer le système à des températures extrêmes (inférieures à 32 °F/0 °C est supérieures à 122 °F/50 °C).

Information sur le produit

Conservez votre facture comme preuve d'achat et pour obtenir des pièces et du service sous garantie. Attachez-la ici et inscrivez le numéro de série et de modèle dans le cas où vous en auriez besoin. Ces numéros se trouvent sur le produit.

N° de modèle : _____

Date d'achat : _____

Détaillant / Adresse / Téléphone : _____

CONFIGURATION D’UNE CONNEXION BLUETOOTH SANS FIL

Transmission en continu d’audio par *Bluetooth*

Lorsque vous avez apparié et connecté votre appareil au haut-parleur, vous pouvez commander la lecture musicale dans la paume de votre main. Sélectionnez votre musique, arrêtez la lecture, changez de chansons ou de listes de lecture, directement sur l’écran de votre appareil.

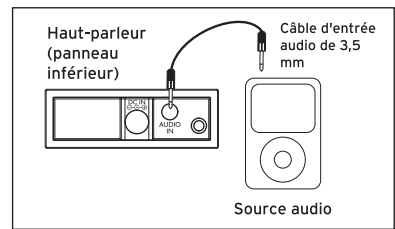
Pour régler le volume : Appuyez sur les boutons Volume +/- situés à l'arrière du haut-parleur.

Pour se déconnecter du haut-parleur : Désactivez *Bluetooth* sur votre appareil ou sélectionnez « Déconnecter » dans la liste des options de la configuration *Bluetooth* de votre appareil.

Pour se reconnecter au haut-parleur : Vous n’avez qu’à démarrer le haut-parleur et patientez quelques secondes pour que le haut-parleur trouve et rétablisse la connexion à votre appareil. Si le haut-parleur ne parvient pas à trouver votre appareil (ce qui peut survenir si, par exemple, un autre appareil a été connecté après le vôtre), assurez-vous que le haut-parleur n’est pas couramment connecté à un autre appareil. Puis, sélectionnez « AR SPEAKER » dans la liste des connexions *Bluetooth* disponibles dans le menu *Bluetooth* de votre appareil pour établir une connexion.

UTILISATION DE L’ENTRÉE AUDIO AUXILIAIRE

Branchement direct



- Branchez l'une des terminaisons du câble d’entrée audio de 3,5 mm fourni dans la prise d’entrée audio située au bas du haut-parleur.

- Branchez l'autre terminaison du câble dans la prise pour casque d’écoute de votre lecteur MP3 ou autre appareil audio portable.

- Si le haut-parleur n’est pas démarré, appuyez sur le bouton On-Off pour le démarrer.

Avertissement: *Cet appareil est conçu pour fonctionner avec des sorties à niveau de ligne ou pour casque d’écoute seulement. **NE** le branchez*

PAS directement aux sorties pour haut-parleurs; cela causerait des dommages permanents au haut-parleur.

FERMETURE DU HAUT-PARLEUR

- Appuyez et gardez enfoncé le bouton On-Off situé à l’arrière du haut-parleur pour fermer le haut-parleur.

- Pour confirmer que le haut-parleur est fermé, vérifiez que l’indicateur sur le panneau frontal du haut-parleur est éteint.

DÉPANNAGE

Le guide de dépannage ci-dessous présente les problèmes les plus habituels liés à l’installation et/ou l’utilisation d’un système sans fil. Si vous ne parvenez pas à régler le problème, veuillez appeler sans frais au 1-800-732-6866 ou visitez www.acoustic-research.com.

Problème :	Cause et solution :
Pas de son	<ul style="list-style-type: none">Vérifiez que l'adaptateur d'alimentation CA de l'émetteur est branché correctement dans la prise murale et que le cordon de l'adaptateur CA est branché correctement dans la prise d'alimentation du haut-parleur. ou Si vous utilisez des piles pour alimenter le haut-parleur, assurez-vous qu'elles sont neuves et respectent la polarité (+, -). Assurez-vous que les piles sont neuves et remplacez-les si nécessaire. Assurez-vous que le haut-parleur est démarré. Assurez-vous que la source audio (chaîne stéréo, lecteur mp3, etc.) est démarrée et transmet le son comme elle le devrait. Assurez-vous que le volume de votre source audio n'est pas trop faible. Assurez-vous que le volume du haut-parleur n'est pas trop faible. Rapprochez l'appareil <i>Bluetooth</i> et le haut-parleur. La technologie sans fil <i>Bluetooth</i> peut habituellement être utilisée sur une distance de 10,7 m (35 pieds). Par contre, la portée varie selon d'autres facteurs, comme l'aménagement d'une pièce, les matériaux des murs, les conditions météorologiques, etc. Assurez-vous d'avoir activé la connexion <i>Bluetooth</i> du haut-parleur lorsque vous transmettez de l'audio par <i>Bluetooth</i>. Assurez-vous d'avoir entré le bon mot de passe lorsque vous avez apparié votre appareil.
Impossible d'apparier le haut-parleur avec votre appareil <i>Bluetooth</i>	<ul style="list-style-type: none">Assurez-vous que la fonction <i>Bluetooth</i> de votre appareil est démarrée et découvrable. Rapprochez l'appareil <i>Bluetooth</i> et le haut-parleur. La technologie sans fil <i>Bluetooth</i> peut habituellement être utilisée sur une distance de 10,7 m (35 pieds). Par contre, la portée varie selon d'autres facteurs, comme l'aménagement d'une pièce, les matériaux des murs, les conditions météorologiques, etc. Assurez-vous que votre appareil supporte le transfert audio. Fermez tous les autres appareils <i>Bluetooth</i> à proximité ou désactivez leur fonction <i>Bluetooth</i>.

CARACTÉRISTIQUES TECHNIQUES

Haut-parleur

- Technologie sans fil Bluetooth^{MD} : Bluetooth v2.1 + profil A2DP*
- Conception acoustique à deux voies : Puissance nominale de 10 watts, médial de 7,6 cm (3 po), tweeter de 5,1 cm (2 po)*
- Puissance de sortie audio : 7 watts RMS (maximum)*
- Entrée audio de ligne*
- Distorsion : 1 %*
- Rapport S/B : 65 dB (typique)*
- Portée de fonctionnement : Jusqu'à 10 mètres (espace ouvert)*
- Réponse en fréquence : 20 Hz - 20 kHz*
- Alimenté par l'adaptateur CA fourni ou six (6) piles AA (non fournies)*

**Portée maximale; la portée réelle peut varier selon l'environnement.*

Énoncé de la FCC

Cet équipement a été soumis à des essais sur prototype et déclaré conforme aux limites stipulées pour un dispositif numérique de classe B, conformément aux spécifications de la partie 15 du Règlement de la FCC. Ce règlement a pour but d'assurer une protection raisonnable contre le brouillage nuisible dans une installation résidentielle. Cet équipement produit, utilise et peut émettre de l'énergie en radiofréquence et, s'il n'est pas installé et utilisé conformément aux directives, il peut causer une interférence nuisible dans les communications radio. Cependant, il est impossible de garantir qu'aucune interférence ne se produira dans une installation particulière. Si cet équipement cause un brouillage de la réception de radio ou de télévision (que vous pouvez déterminer en éteignant puis en rallumant l'appareil), l'utilisateur est prié d'essayer de corriger l'interférence au moyen de l'une ou de plusieurs des mesures suivantes :

- Réorientez ou déplacez l'antenne de réception.
- Éloignez davantage l'appareil du récepteur.
- Branchez l'équipement dans une prise dont le circuit est différent de celui où est branché le récepteur.
- Consultez le détaillant ou un technicien expérimenté de radio / télévision.

Le règlement de la FCC stipule que toute modification non autorisée de ce produit peut annuler le privilège d'utilisation de l'utilisateur.

Avertissement d'exposition aux RF

Cet appareil doit être installé et utilisé selon les instructions fournies et la ou les antennes utilisées par cet émetteur doivent être installées à une distance minimale de 20 cm de toute personne et ne doivent pas être situées près ou utilisées conjointement avec tout autre antenne ou émetteur. Les utilisateurs finaux et installeurs doivent recevoir des instructions sur l'installation de l'antenne et sur les conditions d'utilisation de l'émetteur pour répondre aux exigences quant à l'exposition aux RF.

Avis d'Industrie Canada

Cet appareil est conforme à la norme CNR-210 des règlements d'Industrie Canada. Son fonctionnement est sujet aux deux conditions suivantes: 1) Cet appareil ne doit pas provoquer d'interférences et 2) Cet appareil doit accepter toutes les interférences, y compris celles pouvant entraîner son dysfonctionnement. CAN ICES-3 (B)/NMB-3 (B)

Avis d'Industrie Canada sur l'exposition aux Rayonnements: Cet appareil est conforme aux limites d'exposition aux rayonnements d'Industrie Canada pour un environnement non contrôlé.

Le haut-parleur sans fil Bluetooth est un produit de la société Acoustic Research, Inc.

La marque *Bluetooth^{MD}* et ses logos sont des marques déposées de Bluetooth SIG, Inc. et toute utilisation de ces marques par VOXX Accessories Corporation est faite avec son autorisation. Les autres marques de commerce et noms commerciaux sont la propriété de leur propriétaire respectif.

GARANTIE LIMITÉE DE 12 MOIS

VOXX Accessories Corporation (l'Entreprise) garantit à l'acheteur au détail d'origine que ce produit et toutes ses pièces sont exempts de défauts de matière et de main-d'oeuvre pendant les 12 mois suivant la date de l'achat d'origine, lors d'une utilisation et de conditions normales, et que le ou les défauts feront l'objet d'une réparation ou d'un remplacement (à la discrétion de l'Entreprise) sans frais pour les pièces et pour le temps de main-d'oeuvre. Pour obtenir une réparation ou un remplacement en vertu des termes de cette garantie, le produit, avec tous les accessoires inclus dans l'emballage d'origine, doit être livré à l'Entreprise avec preuve de couverture de garantie (c'est-à-dire une preuve d'achat), une spécification du ou des défauts et les frais de transport payés d'avance, à l'adresse indiquée ci-dessous. Ne pas retourner ce produit chez le détaillant.

Cette garantie ne peut être transférée et ne couvre pas les produits achetés, réparés ou utilisés à l'extérieur des États-Unis ou du Canada. La garantie ne couvre ni l'élimination de l'électricité statique ou du bruit produit de façon externe, ni les frais encourus pour l'installation, l'enlèvement ou la réinstallation du produit. La garantie ne s'applique pas à tout produit ou toute pièce du produit qui, de l'avis de l'Entreprise, a subi des dommages suite à une altération, une installation incorrecte, une manipulation incorrecte, une mauvaise utilisation, une négligence, un accident ou une exposition à de l'humidité. Cette garantie ne s'applique pas à des dommages causés par un adaptateur c.a. qui n'est pas fourni avec le produit ou lorsque les piles rechargeables ont été laissées dans le produit alors qu'il était branché à une prise secteur (c.a.).

L'ÉTENDUE DE LA RESPONSABILITÉ DE L'ENTREPRISE EN VERTU DE CETTE GARANTIE EST LIMITÉE À LA RÉPARATION OU AU REMPLACEMENT INDIQUÉS CI-DESSUS ET, EN AUCUN CAS, LA RESPONSABILITÉ DE L'ENTREPRISE NE PEUT DÉPASSER LE PRIX D'ACHAT PAYÉ PAR L'ACHETEUR POUR LE PRODUIT. Cette garantie remplace toute autre garantie ou responsabilité expresse. TOUTE GARANTIE IMPLICITE, INCLUANT TOUTE GARANTIE IMPLICITE DE QUALITÉ MARCHANDE OU D'ADAPTATION À UN USAGE PARTICULIER EST LIMITÉE À LA DURÉE DE CETTE GARANTIE. TOUTE ACTION SUITE À LA VIOLATION DE TOUTE GARANTIE MENTIONNÉE DANS LES PRÉSENTES, INCLUANT TOUTE GARANTIE IMPLICITE, DOIT ÊTRE PRÉSENTÉE DANS LES 24 MOIS SUIVANT LA DATE DE L'ACHAT D'ORIGINE. EN AUCUN CAS L'ENTREPRISE NE PEUT ÊTRE RESPONSABLE POUR UN QUELCONQUE DOMMAGE CONSÉCUTIF OU INDIRECT. Aucune personne ou aucun représentant n'est autorisé à assumer pour l'entreprise une quelconque responsabilité autre que celle exprimée dans les présentes en relation avec la vente de ce produit.

Certaines juridictions n'autorisent pas de limites quant à la durée d'une garantie implicite ou quant à l'exclusion ou la limitation de dommages indirects ou consécutifs; les limitations et exclusions indiquées dans les présentes pourraient donc ne pas s'appliquer à votre cas. Cette garantie vous donne des droits légaux spécifiques et vous pourriez également jouir d'autres droits qui varient d'une juridiction à l'autre.

É-U : Audiovox Return Center, 150 Marcus Blvd., Hauppauge, New York 11788
CANADA : Audiovox Return Center, c/o Genco, 6685 Kennedy Road, Unit #3 Door 16, Mississauga Ontario L5T 3A5