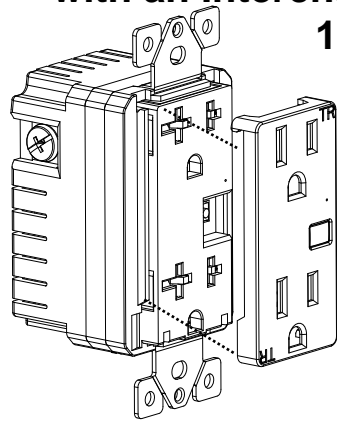


# INSTALLATION INSTRUCTIONS

## JWF15R

### Wireless Home Automation Control Device with an Interchangeable Face Cover 15A Tamper Resistant Duplex Receptacle



#### ◆ SPECIFICATIONS

Voltage.....	120VAC, 60Hz
Incandescent.....	1000W
Electronic Ballast.....	5A
Standard Ballast.....	1200VA
Resistive.....	1800W(15A)
Motor.....	1/2 HP
Operating Temperature.....	32°F~104°F(0°C~40°C)
Wire Strip Length.....	16mm(5/8 in.)
Supply Connection .....	12 AWG wires
Screw Torque.....	20 lbf-in
Protocol.....	IEEE 802.11b/g/n
Wireless Type.....	2.4GHz

#### ◆ FEATURES

- Perfect replacement for regular receptacles, 120VAC, 15 Amp
- Manual and Remote ON/OFF control of any connected lighting and other electrical load
- Interchangeable color face plate
- Reduce energy consumption and enjoy Wireless Home Automation
- Enhance the value and technology of your condominiums and homes
- Indoor use only

#### ◆ DESCRIPTION

The JWF15R(TR) duplex receptacle is the perfect wireless manual and remote on/off control replacement of any regular receptacles to control table and floor lamps, small appliances and more. This receptacle provides two outlets, one can be controlled by WIFI, that just need download the free Tuya Smart App on your smartphone then you can turn your devices on or off at any time or any where, and the other outlet provides constant power. Also, this receptacle meets the 2011 NEC code requirements.

## WARNINGS AND CAUTIONS

Be sure to read the instruction carefully before installation, and the manufacturer will not be responsible for any product damage that does not follow the instruction

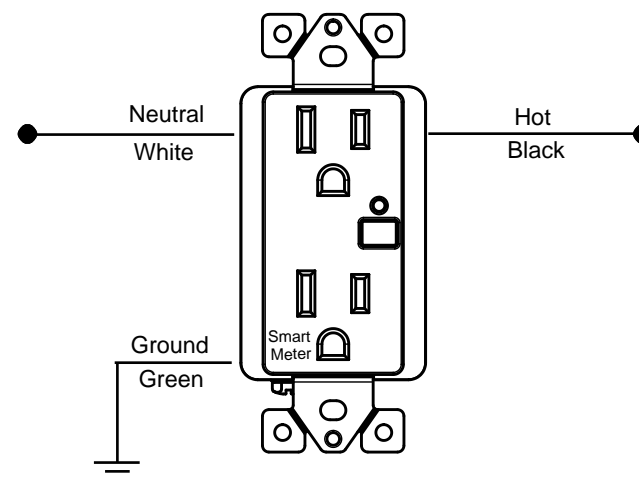
1. Wet hands are strictly prohibited.
2. Must work strictly according to the rated load.
3. Do not continue to work after self-disassembly of any nature and damage of external forces.

#### ◆ INSTALLATION

This receptacle may be used in new installations or to replace an existing wall receptacle.

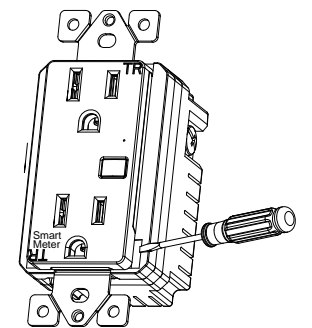
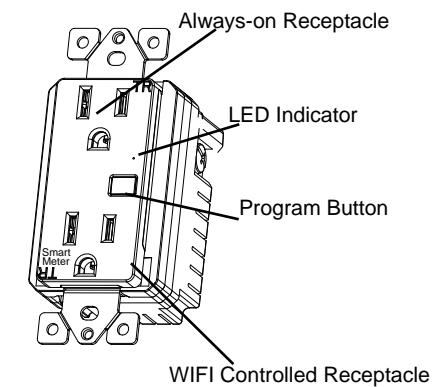
**WARNING: HIGH VOLTAGE-TO AVOID FIRE, SHOCK, OR DEATH, TURN OFF THE POWER AT THE CIRCUIT BREAKER BEFORE YOU INSTALL THIS RECEPTACLE.**

#### Wiring Diagram:



1. For retrofit applications, remove the wall plate.
2. Warning!: Verify power is OFF before continuing.
3. Remove the existing receptacle from the box.
4. Disconnect the wiring from the existing receptacle.
5. Connect the WIFI receptacle as shown in the wiring diagram: Black lead to hot wire, white lead to neutral wire, green lead to ground wire.
6. Check connections to be sure they are tight and no bare conductors are exposed.
7. Insert the JWF15R receptacle into the standard outlet box carefully.
8. Make sure the JWF15R receptacle to the box using the supplied screws.
9. Attach the wall plate.
10. Restore power at the circuit breaker.

#### ◆ OPERATIONS



To replace the face cover, just use a flat screwdriver to pry-off the interchangeable plate.

#### Manual Control

The program button on the WF15RM duplex receptacle allows the user to:

1. Manually turn ON the Module: press and release the program button. The Green LED indicator will turn ON, and the appliance will turn ON. (Default)
2. Manually turn OFF the Module: press and release the program button. The Green LED indicator will turn OFF, and the appliance will turn OFF.(Default)

#### Tuya Smart App Control

1. Download Tuya Smart app from the App Store or Google Play.



OR scan QR code



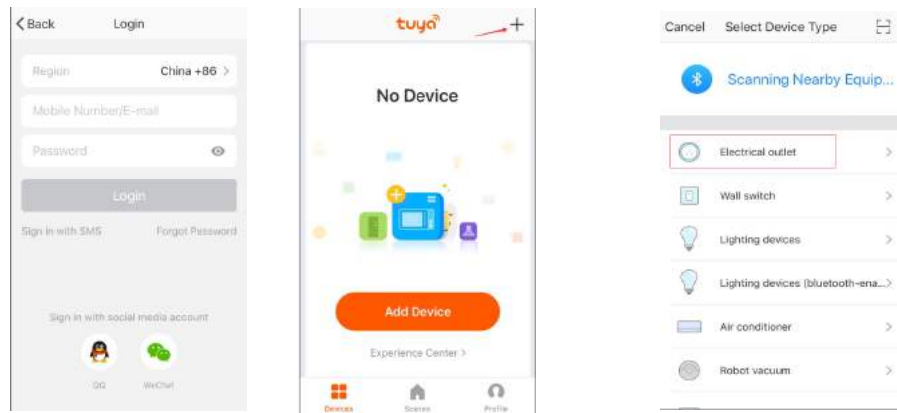
2. Connect mobile device to your 2.4GHz WIFI network. Please note this Smart outlet can only be connected to 2.4GHz network.



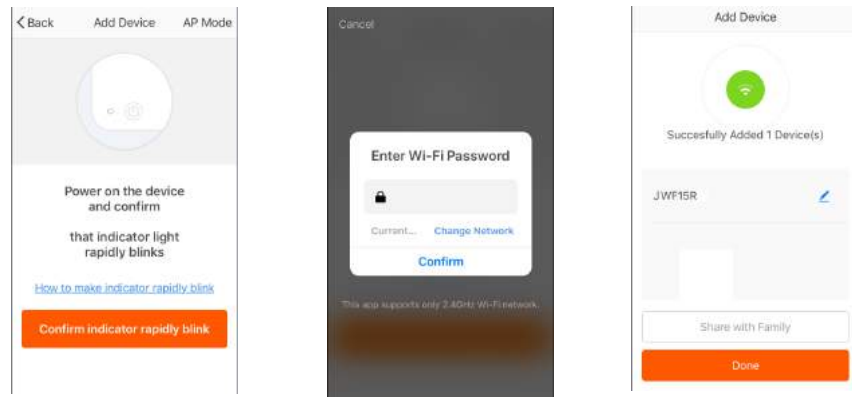
3. Launch Tuya and follow the in-app instructions to connect the WIFI outlet to your network.

# INSTALLATION INSTRUCTIONS

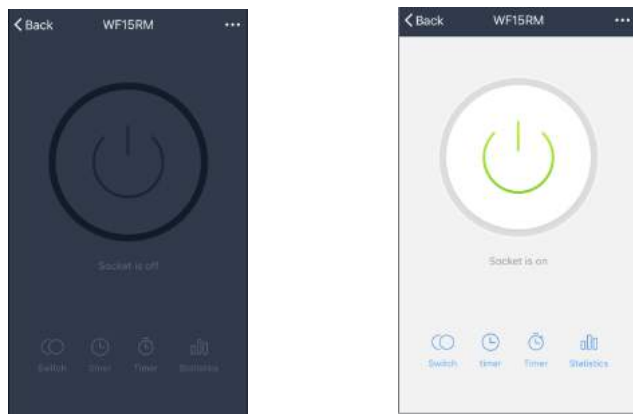
- a. Login the Tuya      b. Click the button "+"      c. Select the "Electrical outlet"



- d. Click the bottom button      e. Enter your Wifi password      f. Finished



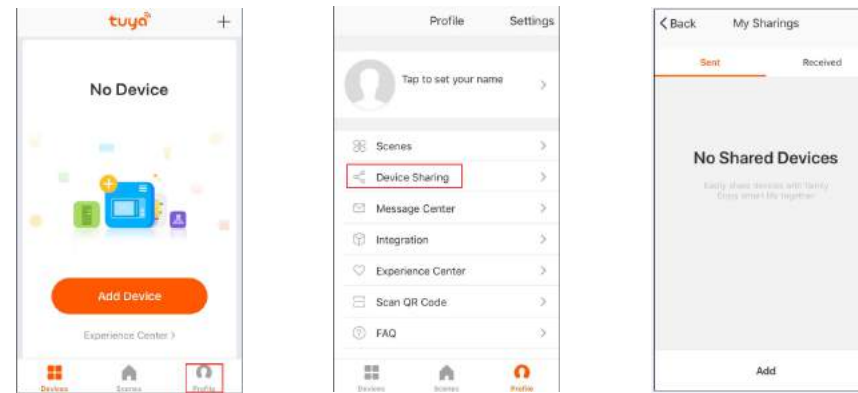
4. When the device is finished add, this WIFI Outlet can be opened, closed, countdown and timing.



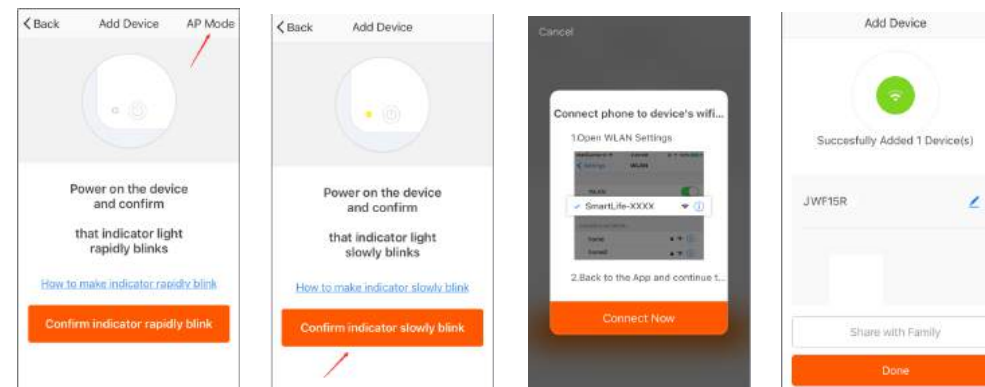
## Please Note:

- In the process of adding device, you must correctly select the router's WIFI device name and fill in the correct WIFI password, otherwise the device will not be able to add successfully.

- This WIFI Outlet can only be paired with one phone device. If you want multiple phones to control the WIFI Outlet, click the "profile" then chose the " Device Sharing".



- When the device fail to add in the App, please try to enter the AP mode. Before enter the AP mode please press the top or bottom button 5 times continuously, then press and hold at the sixth for 5 seconds then release, the LED indicator in green and slowly blinks.



## ◆ OPERATION AND LED INDICATION

Press and release the program button above 5 seconds and the green indicator will turn On and flashing that means the WIFI Outlet is connecting to the network.

**Quick Blinking Green:** Connecting to the network.

**Slow Blinking Green:** AP mode.

**Green bright after 2 seconds off:** Connected to the network.

**Sold Green:** Network normaly or in standby mode.

**Solid Blue:** The duplex receptacle is switched on.

**Off:** The WIFI duplex receptacle is switched off.

## ◆ FCC COMPLIANCE STATEMENT

### Federal Communication Commission Interference Statement

The equipment has been tested and found to comply with the limits for a class B B Digital Device, pursuant to part 15 of the FCC Rules. These limits are designed to provide reasonable protection against harmful interference in a residential installation. This equipment uses, generates and can radiate radio frequency energy and, if not installed and used in accordance with the instruction, may cause harmful interference to radio communication. However, there is no guarantee that interference will not occur in a particular installation. If this equipment does cause harmful interference to radio or television reception, which can be determined by turning the equipment off and on, the user is encouraged to try to correct the interference by one or more of the following measures:

- Reorient or relocate the receiving antenna.
- Increase the separation between the equipment and receiver.
- Connect the equipment into an outlet on a circuit different from that to which the receiver is connected.
- Consult the dealer or an experienced radio/TV technician for help.

### FCC Caution:

This device complies with Part 15 of the FCC Rules. Operation is subject to the following two conditions: 1. This device may not cause interference, and 2. This device must accept any interference received, including interference that may cause undesired operation.

### FCC Radiation Exposure Statement:

This equipment complies with FCC radiation exposure limits set forth for an uncontrolled environment. This equipment should be installed and operated with minimum distance 20cm between the radiator & your body.

RF Exposure: A distance of 20 cm shall be maintained between the antenna and users, and the transmitter module may not be co-located with any other transmitter or antenna.

### Non-modification Statement:

Any changes or modifications not expressly approved by the party responsible for compliance could void the user's authority to operate this equipment.

## ◆ WARRANTY INFORMATION

Our company warranties its products to be free of defects in materials and workmanship for a period of two(2) years. There are no obligations or liabilities on the part of our company for consequential damages arising out of or in connection with the use or performance of this product or other indirect damages with respect to loss of property, revenue, or profit, or cost of remval, installation or reinstallation.

Jun, 2018