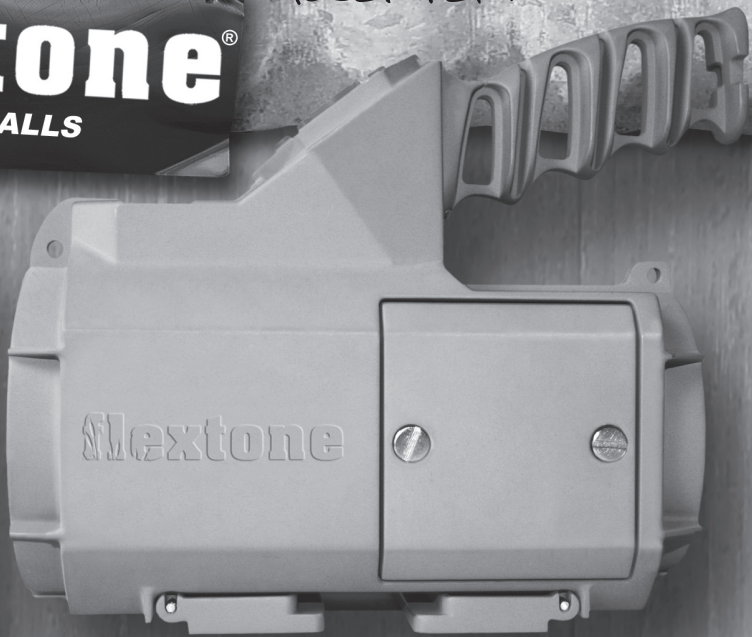


Nextone[®]
GAME CALLS

Model #eR1



ECHOTM

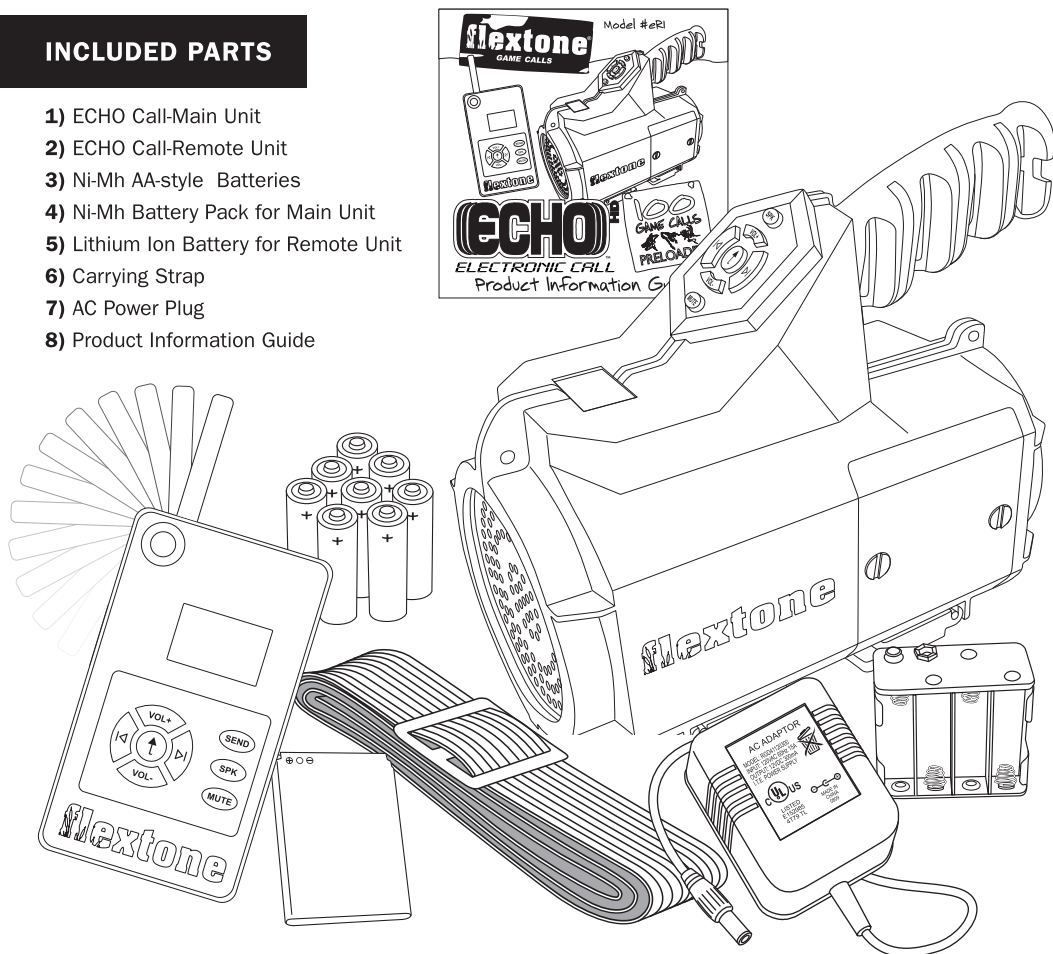
ELECTRONIC CALL



Product Information Guide

INCLUDED PARTS

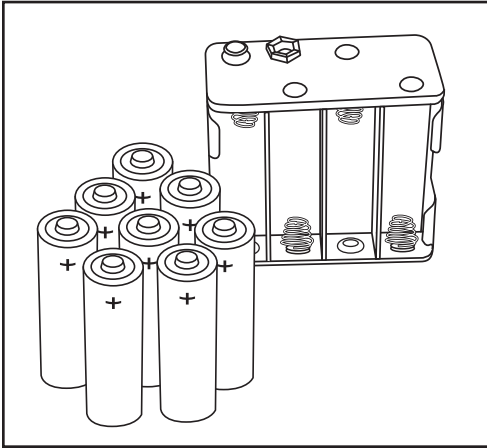
- 1) ECHO Call-Main Unit
- 2) ECHO Call-Remote Unit
- 3) Ni-Mh AA-style Batteries
- 4) Ni-Mh Battery Pack for Main Unit
- 5) Lithium Ion Battery for Remote Unit
- 6) Carrying Strap
- 7) AC Power Plug
- 8) Product Information Guide



ATTENTION: You must check with both state and local governments for legality of use of electronic game calls in your area, by specific species.

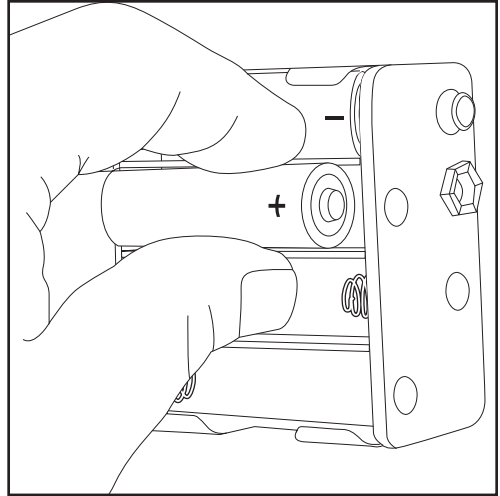
INSTALLING THE BATTERIES

1 Locate the 8 (eight) Mi-Mh batteries and the battery pack from the included parts. (Illustration A)



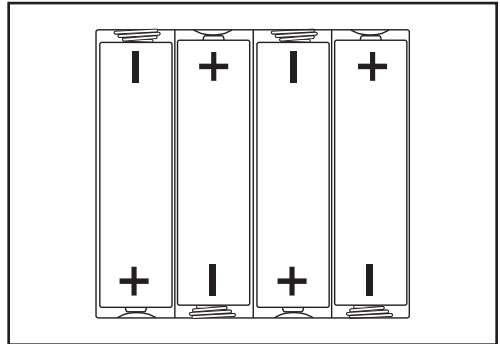
(Illustration A)

2 Install the batteries into the battery pack, carefully following the imprinted instructions on the battery pack concerning the positive and negative contact positions for each battery. (Illustration B)



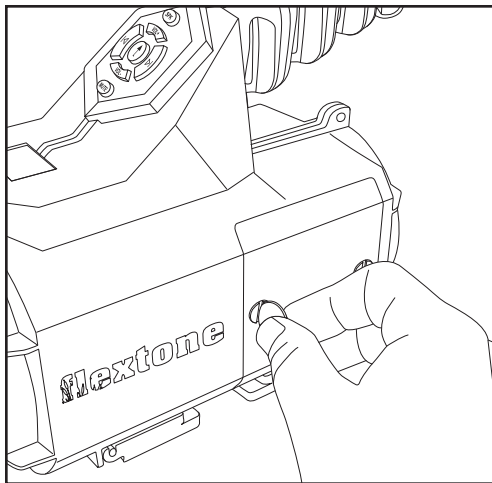
(Illustration B)

Note: Make sure to install batteries with the Negative (“-”) side toward the spring in each of the battery positions. (Illustration C)



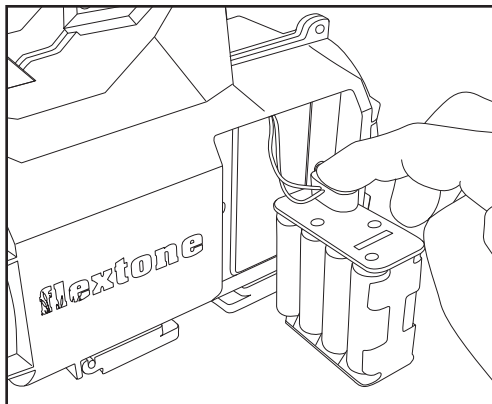
(Illustration C)

3 Remove the battery compartment cover by using a coin or a flat tip screwdriver to unscrew the two retaining screws. (Illustration D)



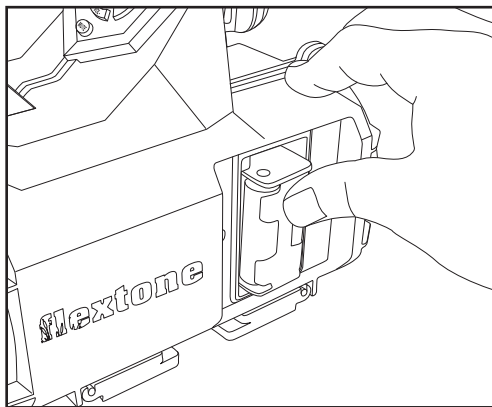
(Illustration D)

4 Locate the completed Ni-Mh battery pack from Step 2 and snap the battery connector from the main unit into place. (Illustration E)



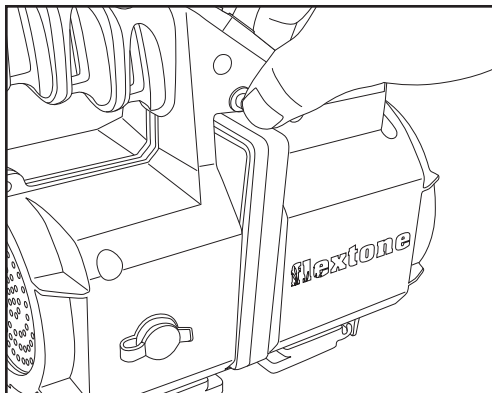
(Illustration E)

5 Install the connected Ni-Mh battery pack into the battery compartment connector side first. Then replace the battery compartment cover and securely tighten screws. (Illustration F)

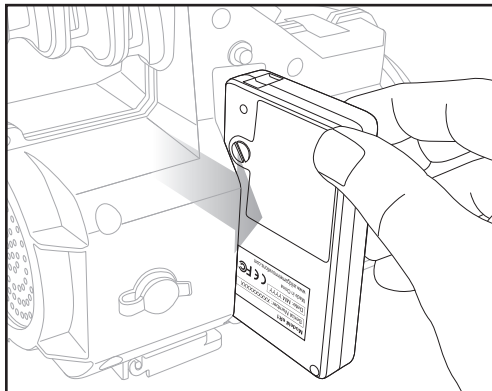


(Illustration F)

6 Next, locate the ECHO remote control and remove from the main unit by pressing and holding the release button which is located just above the remote docking compartment. (Illustration G & H)

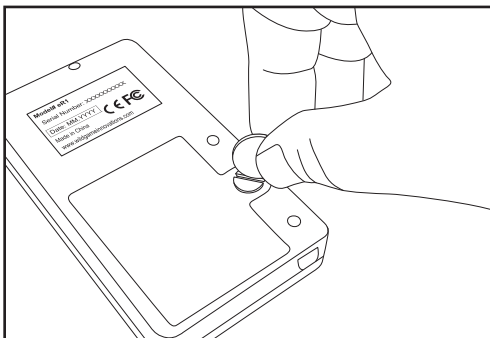


(Illustration G)



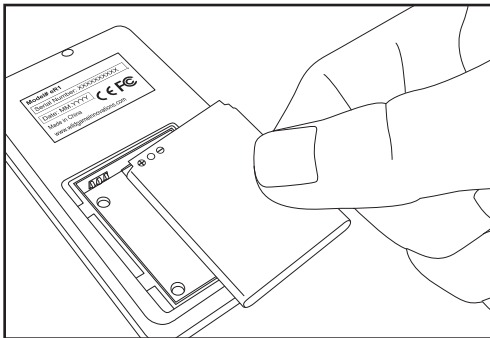
(Illustration H)

7 Remove the battery compartment cover by using a coin or a flat tip screw driver to unscrew the retaining screw. (Illustration I)



(Illustration I)

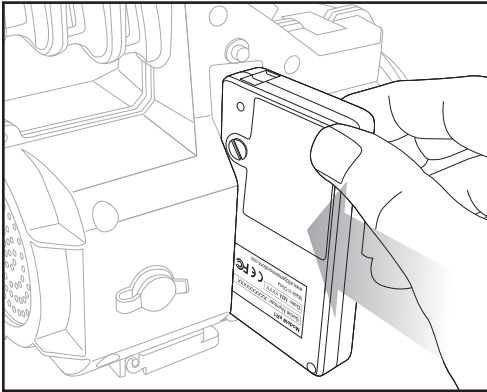
8 Find the remote battery and install by aligning the connectors on the battery with the connectors on the remote. (Illustration J)



(Illustration J)

9 Replace battery compartment cover and securely tighten retaining screw.

10 Return remote to main unit and press the remote into the docking compartment until you hear a “click”. (Illustration K)



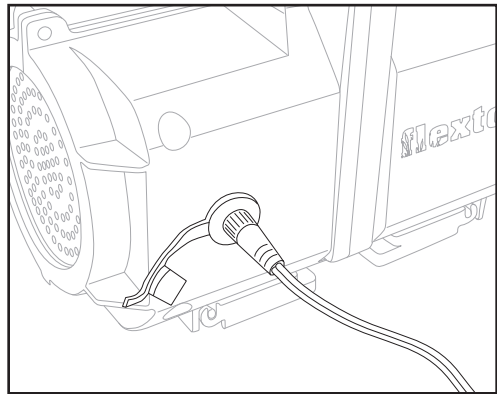
(Illustration K)

Note: You must charge your ECHO game call for a minimum of 10 hours before the first use.

CHARGING THE UNIT

1 Locate wall charger.

2 Install the charging adapter into the charging port located on the side of the ECHO game call by removing the charging port rubber plug and inserting the charging adapter into the ECHO main unit. (Illustration L)



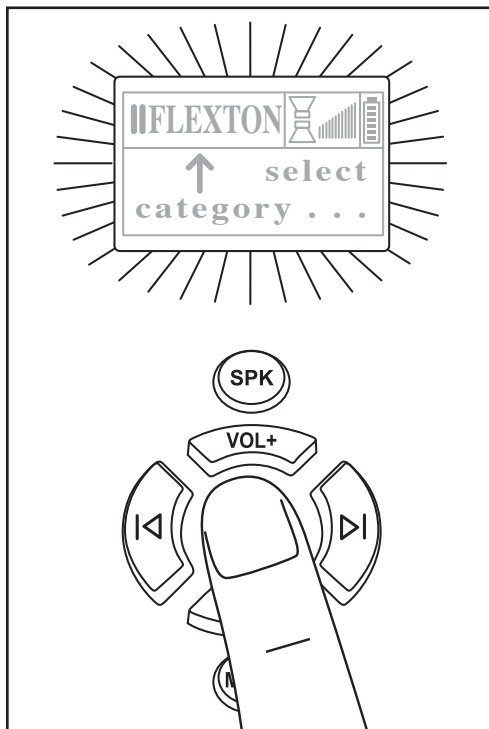
(Illustration L)

3 Plug wall charger into an electrical outlet.

Note: To check the remote battery level, you must first remove the remote from the unit and turn the remote on.

TURNING THE UNIT ON

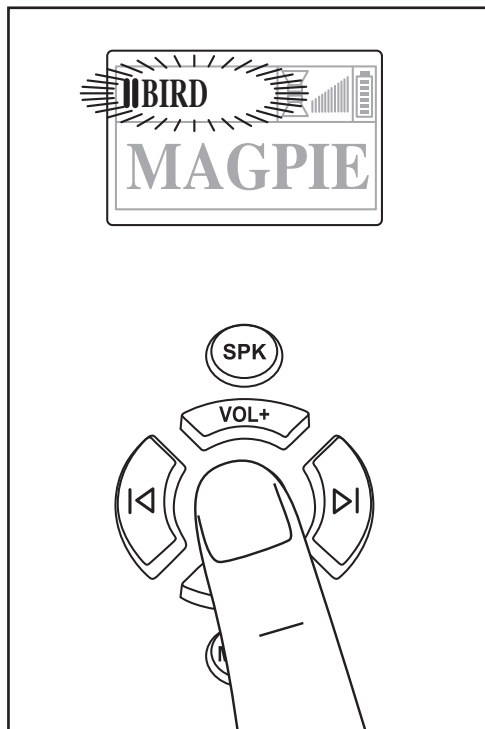
Press and hold the middle button until the LCD is illuminated and then release. The unit is now on. (Illustration M) **Note: the LCD will enter sleep mode in approximately 40 seconds.**



(Illustration M)

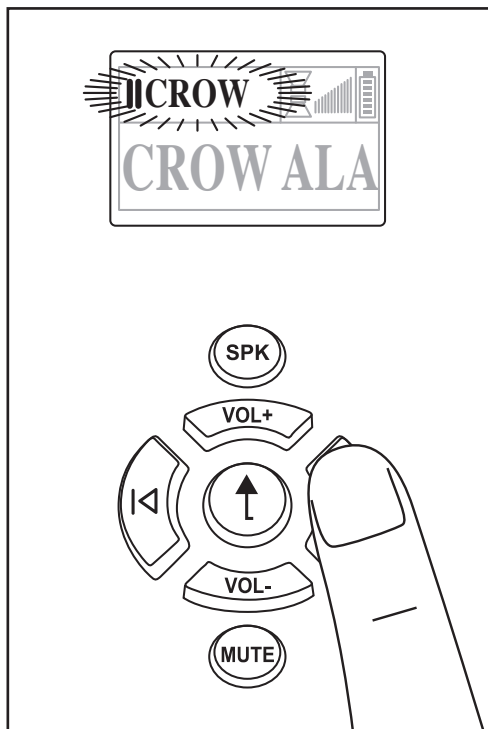
CHOOSING CALL CATEGORY

1 First, select desired call category by pressing and releasing the middle button. Category name should now be blinking. (Illustration N)



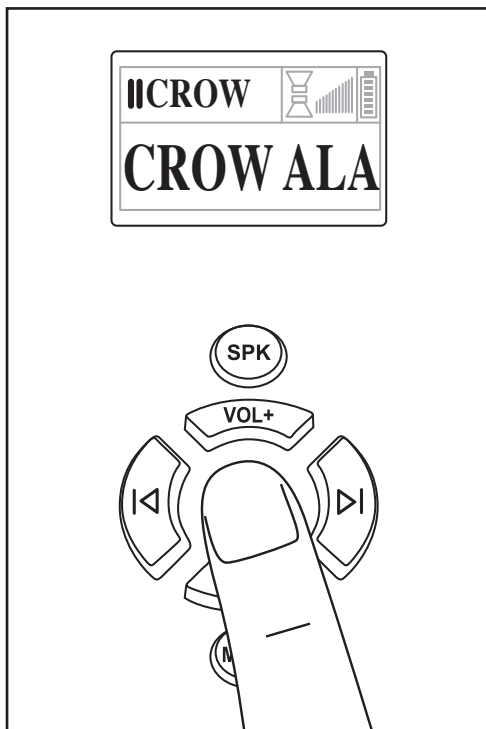
(Illustration N)

2 Next, press either the left or right button to view the categories. (Illustration O)



(Illustration O)

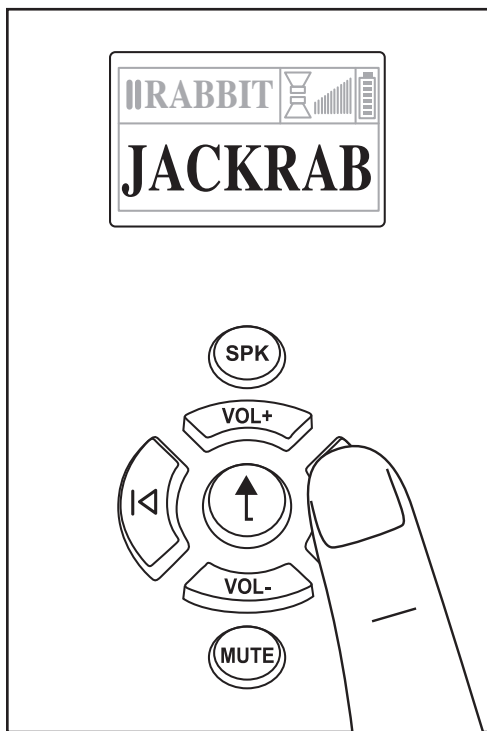
3 When desired category is identified, press and release middle button. (Illustration P)



(Illustration P)

CHOOSING THE INDIVIDUAL CALLS

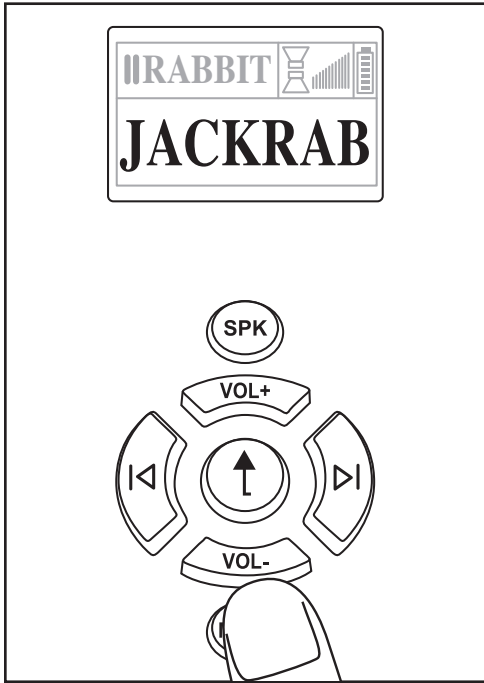
After the category has been chosen, scroll left or right to view individual calls within the category.
(Illustration Q)



(Illustration Q)

USING THE ECHO IN HANDHELD MODE

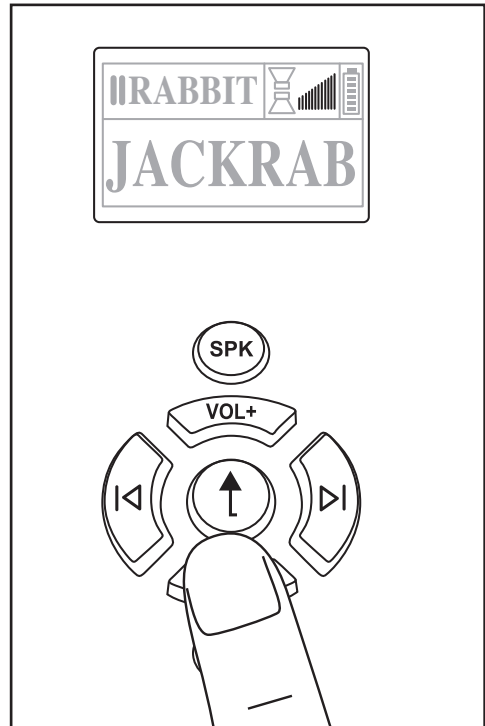
Once the desired call is identified, press and release the Mute button to activate the unit. To deactivate call, press and release the Mute button. (Illustration R) **Note: Call will loop repeatedly until call is deactivated.**



(Illustration R)

VOLUME CONTROL

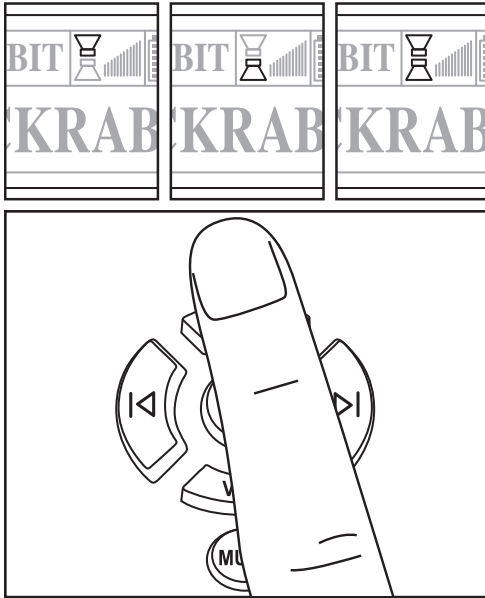
To adjust the volume of the ECHO, press the volume up or down buttons. (Illustration S)



(Illustration S)

SPEAKER SELECTION

To optimize the effectiveness of your ECHO game call, you can choose just the front speaker, just the back speaker or both speakers. You can make this selection by pressing and releasing the speaker button until the desired speaker configuration is found. It is best to make this selection when the call is in operation. (Illustration T)

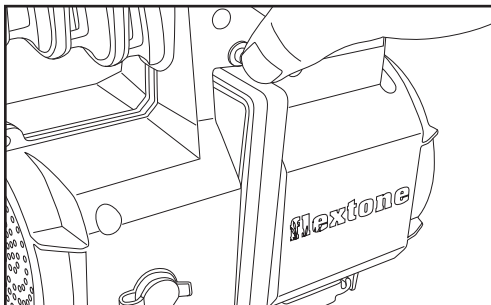


(Illustration T)

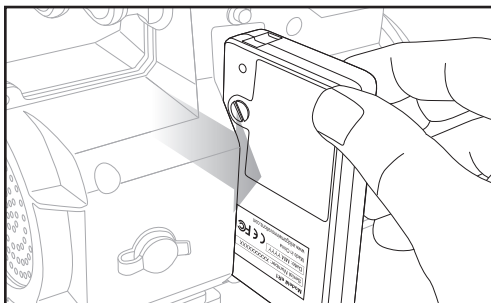
USING THE ECHO IN REMOTE MODE

1 First, turn on the main unit. Refer to “Turning the unit on” section.

2 Next, remove the remote from the main unit by pressing the release button just above the remote and pulling the remote from the docking compartment. (Illustration U & V)

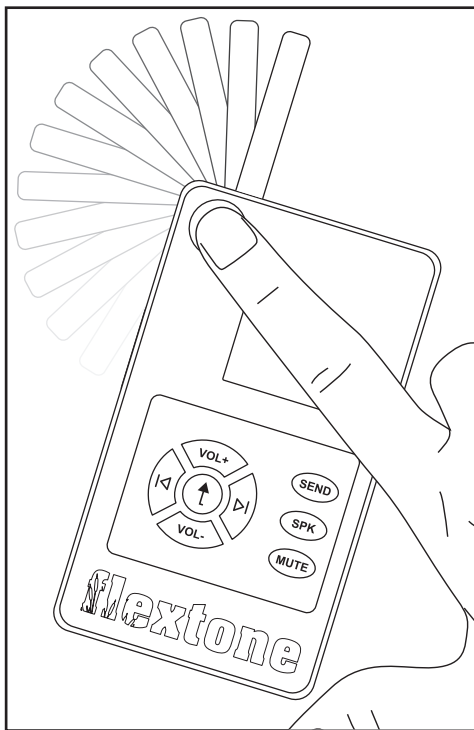


(Illustration U)



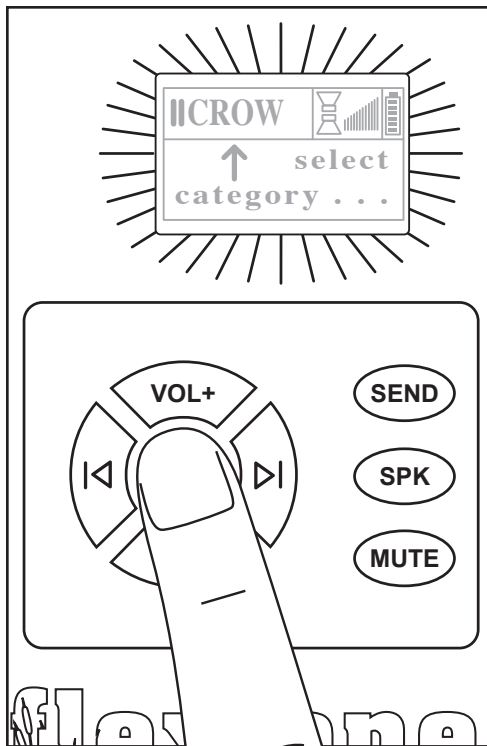
(Illustration V)

3 Extend the antenna by pressing the button on the top of the remote unit. (Illustration W)



(Illustration W)

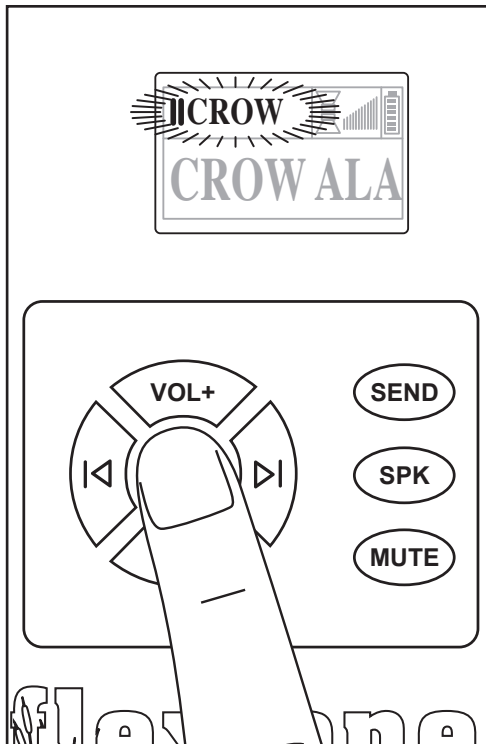
4 Turn the remote on by pressing the middle button until the LCD is illuminated. (Illustration X) **Note: the LCD will enter sleep mode in approximately 40 seconds.**



(Illustration X)

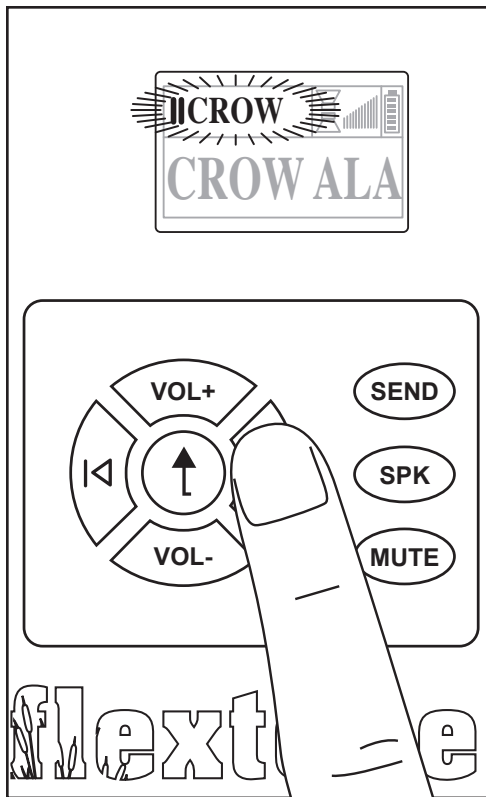
CHOOSING THE CALL CATEGORY

1 First, select desired call category by pressing and releasing the middle button. Category name should now be blinking. (Illustration Y)



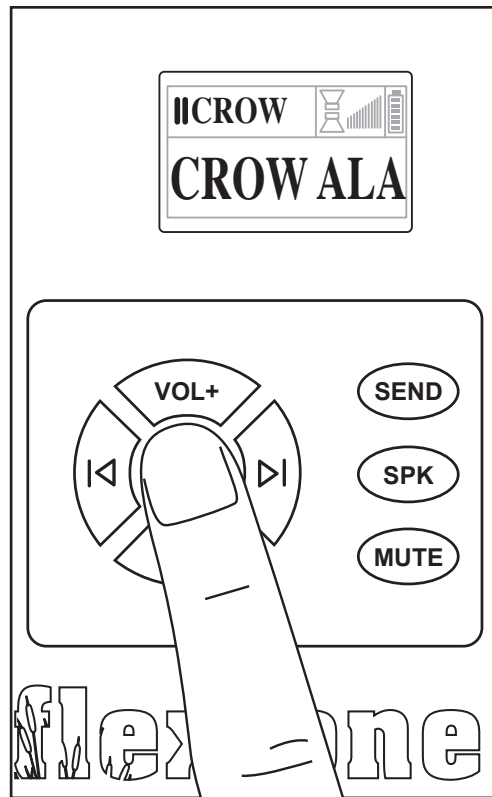
(Illustration Y)

2 Next, press either the left or right button view the categories. (Illustration Z)



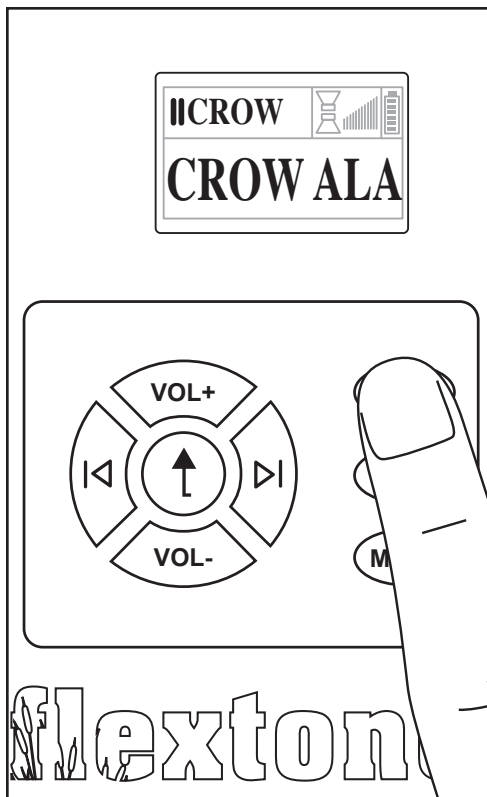
(Illustration Z)

3 When desired category is identified press and release middle button. (Illustration AA)



(Illustration AA)

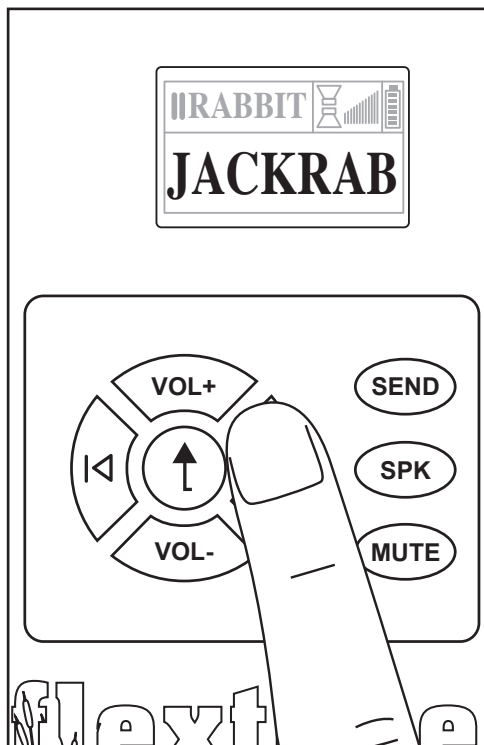
4 After the call category has been chosen press and release the Send button on the remote to transmit the selection to the main unit. (Illustration BB)



(Illustration BB)

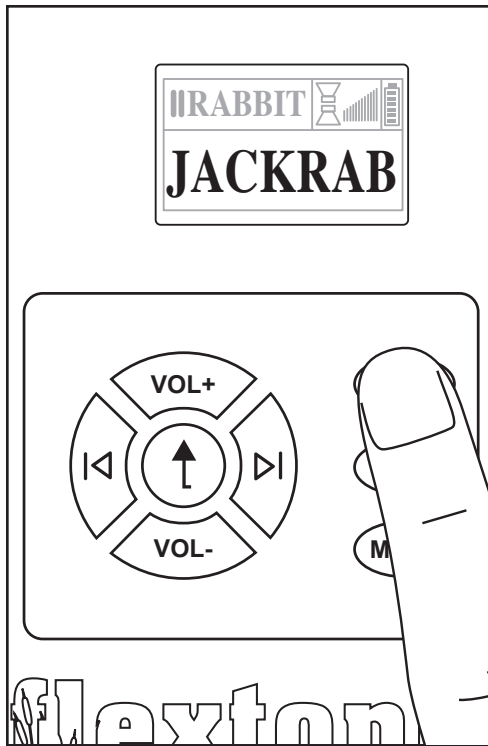
CHOOSING THE INDIVIDUAL CALLS

1 After sending, the category has now been transmitted to the main unit. Scroll left or right on the remote to view individual calls within the category. (Illustration CC)



(Illustration CC)

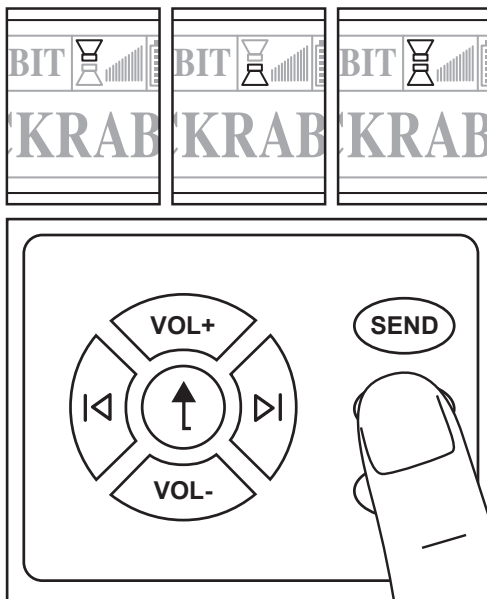
2 Once a individual call has been chosen, press and release the Send button on the remote to transmit the selection. (Illustration DD)



(Illustration DD)

SPEAKER SELECTION

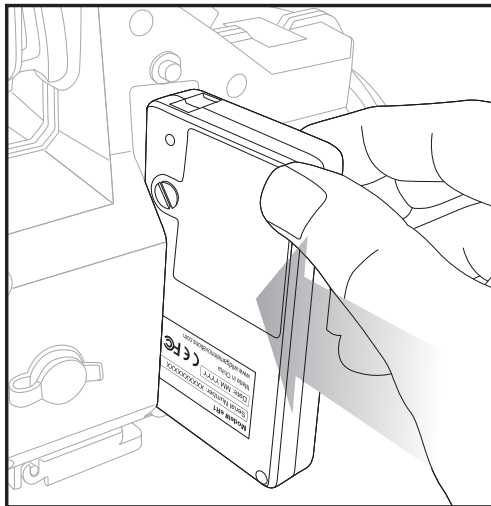
1 To optimize the effectiveness of your ECHO game call, you can choose just the front speaker, just the back speaker or both speakers. You can make this selection by pressing and releasing the speaker button on the remote until the desired speaker configuration is found. It is best to make this selection when the call is in operation. (Illustration EE)



(Illustration EE)

STORING THE REMOTE

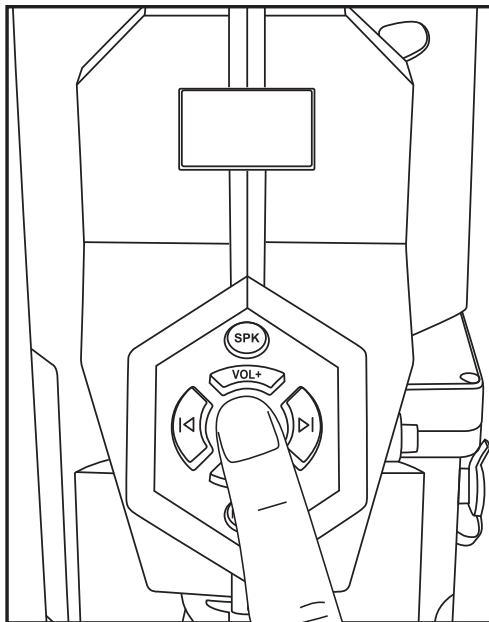
When not using the ECHO in the remote mode, retract the antenna and return the remote to the main unit by sliding the remote into the docking compartment until you hear a “click”. This will ensure the remote is docked properly. When the remote is in the docking compartment it is being charged. (Illustration FF)



(Illustration FF)

TURNING THE UNIT OFF

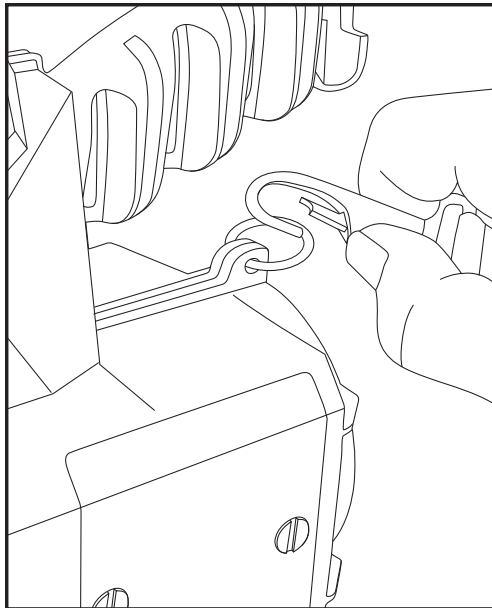
To turn the unit off, press and hold middle button on the main unit until the LCD display turns off. (Illustration GG)



(Illustration GG)

ATTACHING THE CARRYING STRAP

Attach carrying strap by locating the carrying strap rings on each end of the main unit and snapping one end of the carrying strap to each ring. (Illustration HH)



(Illustration HH)

WARRANTY

WGI Innovations, LTD will repair all material or workmanship defects free of charge for one (1) year after the date of purchase. The warranty and repair charge includes handling and return postage to the owner.

The warranty registration card must be completed and returned to WGI Innovations, LTD with fourteen (14) days after the date of purchase. Proof of purchase is required and a copy must accompany the warranty registration card for the limited lifetime warranty to be honored in effect.

This warranty does not cover damage, expense or injury caused by unauthorized repairs, alterations, improper connection, shipping, abuse, theft, neglect or collateral loss.

When returning product for service you must obtain a Return Merchandise Authorization (RMA) number from WGI Innovations, LTD. Please include name, UPS address (no P.O. Box), telephone number, RMA number and a complete description of the problem on all enclosed correspondence.

WGI Innovations, LTD is not responsible for damage incurred in returning items for repair.

Thank you for your purchase!

CUSTOMER SERVICE

WGI Innovations, LTD stands behind every product we manufacture for a one year product workmanship warranty and a strong commitment to customer service. If you are in need of customer service for missing parts or need assistance with the operation or assembly of your product, we encourage you to call one of our customer service representatives and let us assist you with your Flexitone® ECHO™ electronic game call.

DISCLAIMER

WGI Innovations, LTD reserves the right to make changes to unit's functionality and physical design at its sole discretion. As a result, such changes may not be reflected in this version of the manual.

ATTENTION

You must check with both state and local governments for legality of use of electronic game calls in your area, by specific species.

FCC STATEMENT

Product Name: eR1 Electronic Game Call

Model# eR1

This equipment has been tested and found to comply with the limits for a class B digital device, pursuant to part 15 of the FCC Rules. These limits are designed to provide reasonable protection against harmful interference in a residential installation.

This equipment generates, uses and can radiate radio frequency energy and, if not installed and used in accordance with the instructions, may cause harmful interference to radio communications. However, there is no guarantee that interference will not occur in a particular installation. If this equipment does cause harmful interference to radio or television reception, which can be determined by turning the equipment off and on, the user is encouraged to try to correct the interference by one or more of the following measures:

- Reorient or relocate the receiving antenna.
- Increase the separation between the equipment and receiver.
- Connect the equipment into an outlet on a circuit different from that to which the receiver is connected.
- Consult the dealer or an experienced radio/TV technician for help.

The users manual or instruction manual for an intentional or unintentional radiator shall caution the user that changes or modifications not expressly approved by the party responsible for compliance could void the user's authority to operate the equipment.





WGI Innovations, Ltd.

602 Fountain Parkway, Grand Prairie, Texas 75050

Telephone: (800) 847-8269. Fax: (972) 352-6633

"Flexitone"® is a registered trademark of Wildgame Innovations, LLC.
"ECHO" & "Sport Responsible" are TM trademarks of WGI Innovations, Ltd.
"Sport Responsible" is a TM trademarks of WGI Innovations, Ltd.

www.flextonegamecalls.com

***Sport
Responsible™***

