

MODEL# UR2



UNIVERSAL REMOTE CONTROL SYSTEM

PRODUCT
INFORMATION
GUIDE

Installation Instructions:

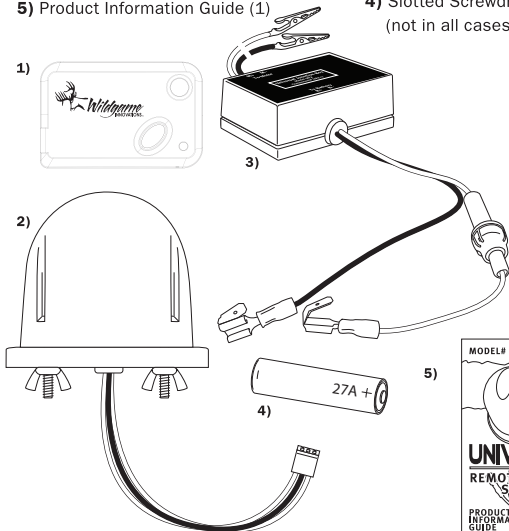
1. Remove the top cover of the receiver by unscrewing the 4 screws.
2. Connect the receiver to the antenna by sliding the antenna into the receiver.
3. Connect the receiver to the transmitter by sliding the transmitter into the receiver.
4. Connect the receiver to the transmitter by sliding the transmitter into the receiver.
5. Connect the receiver to the transmitter by sliding the transmitter into the receiver.
6. Connect the receiver to the transmitter by sliding the transmitter into the receiver.
7. Connect the receiver to the transmitter by sliding the transmitter into the receiver.
8. Connect the receiver to the transmitter by sliding the transmitter into the receiver.

© 2012 Wildgame
Innovations, Inc.
Made in China



INCLUDED PARTS

- 1) Hand Held Transmitter-UR2/T (1)
- 2) Receiver-UR2/R (1)
- 3) Universal Junction Box-UR2/J (1)
- 4) 12 Volt #27A Battery (1)
- 5) Product Information Guide (1)

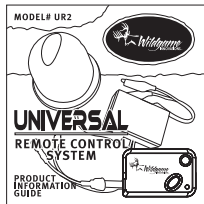


REQUIRED TOOLS

- 1) Cordless or Electric Drill
- 2) 5/16" drill bit
- 3) 1/2" drill bit
- 4) Slotted Screwdriver
(not in all cases)

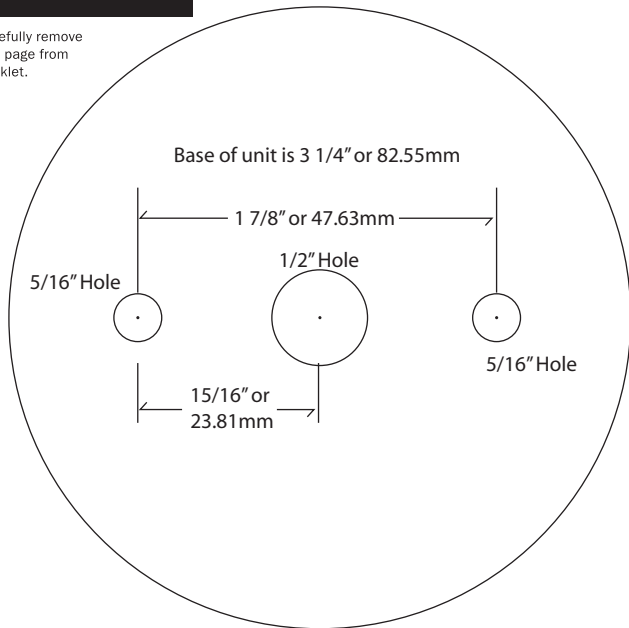
The UR2 remote control unit is designed to be used with either a 6 volt or a 12 volt power control unit. Please note that the UR2 is not compatible with all power control units on the market.

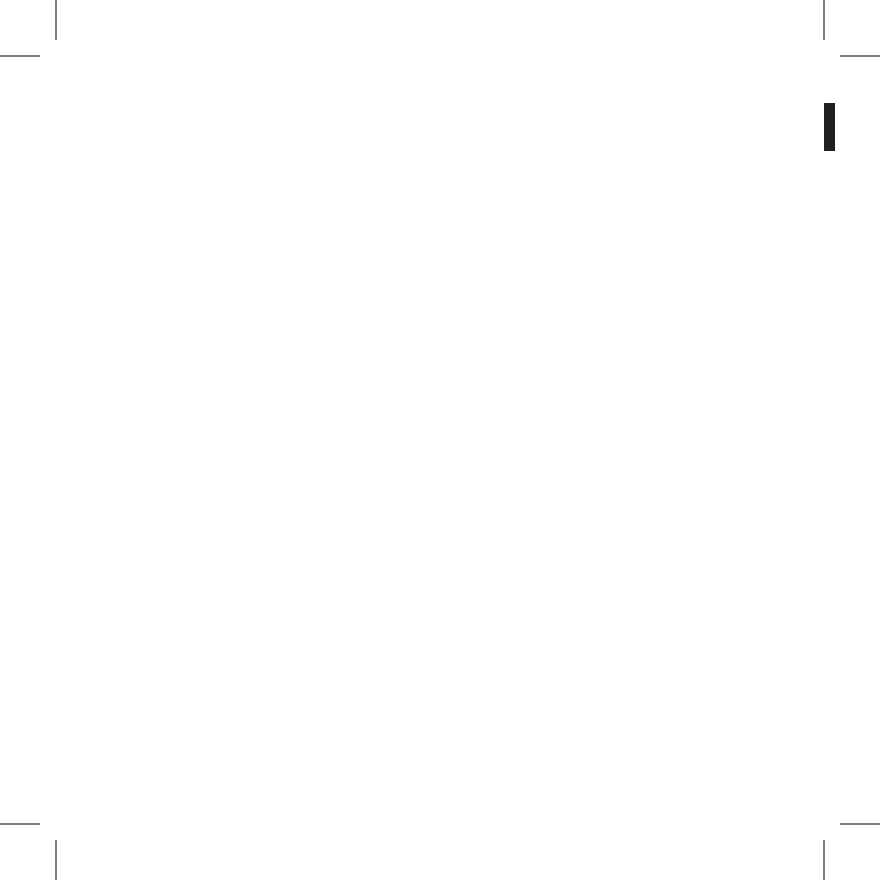
Verify the contents of the package against the included parts list. If you are missing any parts from the list, please contact WGI Innovations, LTD immediately at the toll-free number provided.



MOUNTING DIAGRAM

Carefully remove
this page from
booklet.





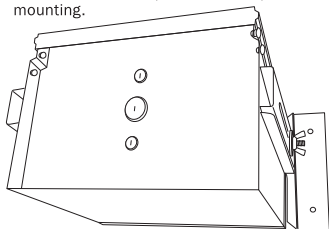
ASSEMBLY INSTRUCTIONS

The UR2 remote control unit is designed to be used with either a 6 volt or a 12 volt power control unit. Please note that the UR2 is not compatible with all power control units on the market.

1 Verify the contents of the package against the included parts list. If you are missing any parts from the list, please contact WGI Innovations, LTD immediately at the toll-free number provided.

Mounting the Receiver to your Power Control Unit.

2 Determine if your power control unit comes with the receiver mounting pattern punched into the bottom of the unit. If so, locate the slotted screwdriver and remove the small metal knockouts from the 3 holes. Then, proceed to step 7 for mounting.

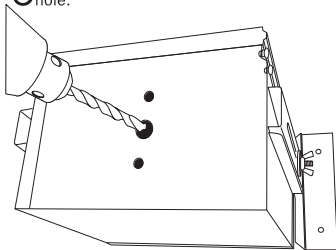


3 First, locate the included mounting template (located on back page of booklet).

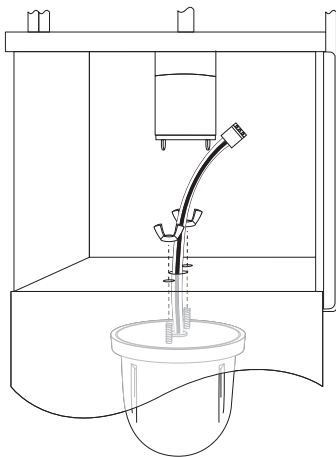
4 Locate an area on your power control unit that allows enough clearance both outside and inside to mount the receiver. A clearance of at least 1" inside the power control unit is required in order to leave enough room for the mounting bolts. With the included template, mark areas on power control unit box for 3 holes to be drilled.

5 Using a 5/16" drill bit, drill the 2 mounting holes in your power control unit box.

6 Then, with a 1/2" drill bit, drill the center hole.



7 Holding the receiver outside of the power control unit box, remove wing nuts from bolts and feed the cable on the receiver through the center hole and into the power control unit box.



8 Hold the receiver up to the pre-drilled holes on the outside of the power control unit box and re-attach the 2 wing nuts to the mounting bolts on the inside of the

power control unit. The receiver should now be securely attached to the outside of the power control unit box. The receivers' high gain antenna is enclosed in a durable weatherproof housing thereby protecting it from the elements.

9 To connect the Universal Junction Box, first, connect the receiver wire in the power control unit box to the universal junction box (in port that says "To Receiver").

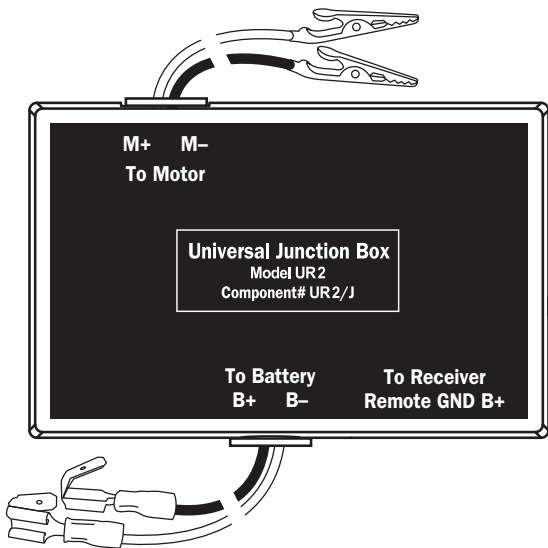
10 Second, connect the alligator clips marked "to motor" to the positive and negative terminals on your motor.

Note – You may need to peel back the plastic cover to make room for the alligator clips to make a proper connection.

11 Then, connect the red and black wires coming out of the bottom of the universal junction box (in port that says "To Battery") to the corresponding battery terminals. Note: Must use a sealed lead acid or gel cell battery with "TAB" connectors, not spring connectors.

12 Lastly, with your timer in hand, connect the battery wires coming off the timer to the piggyback connectors that are attached to the battery from the universal junction box.

13 Place universal junction box inside your power control unit box to protect it from the elements.



Note – The warranty will be voided by placing the junction box on the outside of the power control unit, as it is not weather proof.

14 On the hand held receiver, unscrew the battery compartment cap and place the included 12 Volt #27A battery in battery compartment.

OPERATING INSTRUCTIONS

Once all of the connections have been made to the universal junction box, it is now time to test the remote unit.

Extend the antenna on the transmitter by pushing the small round button on the transmitter. With your hands clear of the spinner plate, depress the oval button on the transmitter to activate the remote control unit. Note: The remote control is designed to activate the power control unit in 5 second intervals. For longer durations, push the oval button more than once.

The remote control unit is designed to have an unobstructed range of up to 1,000 feet. Transmission distances will vary with environmental factors such as terrain, trees, fences, weather, etc.

GENERAL SAFETY

Be very careful when activating the remote control unit. Make sure your hands and fingers are clear of the spinner plate as the spinner plate will immediately begin turning when remote control unit is activated.

SUGGESTED MAINTENANCE

To insure proper functionality and a long life, WGI Innovations, LTD strongly recommends

that you service your remote control unit at least once every year.

The receiver should be cleaned and inspected for any debris that might affect transmission range. Also, if the red light located on the hand held transmitter does not illuminate when the oval button is pushed, replace the 12V #27A battery.

DISCLAIMER

WGI Innovations, LTD is not responsible for damage, expense or injury caused by the unauthorized use of, alterations to, improper connection of and abuse or neglect of the WGI Innovations, LTD's feeder system.

Never lean a ladder against the feeder when filling. You must always use an alternative method to fill your feeder. The use of a ladder, or some other similar type mechanism, leaning against the feeder is not recommended and strongly discouraged. This may result in damage to the unit or personal injury.

WARRANTY

You must register your product warranty online at www.wildgameinnovations.com. Follow the onscreen directions to complete the process.

WGI Innovations, LTD will repair all material

or workmanship defects free of charge for ONE (1) YEAR after the date of purchase and thereafter the cost will vary per incident.

This warranty DOES NOT COVER damage, expense or injury caused by unauthorized repairs, alterations, improper connection, shipping, abuse, theft, accident, neglect or collateral loss.

When returning product for service you MUST obtain a Return Merchandise Authorization (RMA) number from WGI Innovations, LTD. Please include name, UPS address (no PO. Box), telephone number, RMA number and a complete description of the problem on all enclosed correspondence.

When possible pack product carefully in original carton. We are not responsible for damage incurred in returning items for repair.

CUSTOMER SERVICE

WGI Innovations, LTD stands behind every product we manufacture for a four year product workmanship warranty and a strong commitment to customer service. If you are in need of customer service for missing parts or need assistance with the operation or assembly of your product, we encourage you to call one of our customer service representatives and let us assist you with your Wildgame Innovations feeder systems.

FCC STATEMENT

1. This device complies with Part 15 of the FCC Rules. Operation is subject to the following two conditions:

(1) This device may not cause harmful interference.

(2) This device must accept any interference received, including interference that may cause undesired operation.

2. Changes or modifications not expressly approved by the party responsible for compliance could void the user's authority to operate the equipment.

NOTE: This equipment has been tested and found to comply with the limits for a Class B digital device, pursuant to Part 15 of the FCC Rules. These limits are designed to provide reasonable protection against harmful interference in a residential installation.

This equipment generates uses and can radiate radio frequency energy and, if not installed and used in accordance with the instructions, may cause harmful interference to radio communications. However, there is no guarantee that interference will not occur in a particular installation. If this equipment does cause harmful interference to radio or television reception, which can be determined by turning the equipment off and on, the user is encouraged to try to correct the interference by one or more of the following measures:

- Reorient or relocate the receiving antenna.

- Increase the separation between the equipment and receiver.

- Connect the equipment into an outlet on a circuit different from that to which the receiver is connected.

- Consult the dealer or an experienced radio/TV technician for help.

WGI Innovations, LTD

602 Fountain Parkway, Grand Prairie, Texas 75050

Telephone: (800) 847-8269 Fax: (972) 352-6633

www.wildgameinnovations.com

"Wildgame Innovations" and the "Button Logo" are TM trademarks of Wildgame Innovations, LLC.

"Sport Responsible" is a TM trademark of WGI Innovations, LTD.

***Sport
Responsible™***

