

(16)- (110 SOURCE) DRYER **THERMOSTAT KIT #694674.**

INSTRUCTION SHEET

for 694674 Thermostat Kit

⚠ WARNING

Electrical Shock Hazard

Disconnect power before servicing.
 Replace all panels before operating.
 Failure to do so can result in death or electrical shock.



Check the thermostat leads to determine if new 1/4" jumper wires are required. If required, the terminals on the wiring harness must be removed and replaced with the 1/4" jumper wires provided. Use the connectors to attach the jumper wires to the wiring harness.

Before mounting this new thermostat, it must be set. See chart below for replacement settings. Also see Figure 1.

ORIGINAL THERMOSTAT NO	TEMPERATURE RANGE	SETTING	TERMINAL CHANGE REQ'D
694674	ADJUSTABLE	-	NO
27404	135°	A	NO
68171	135°	A	NO
68172	135°	A	YES
232960	135°	A	NO
237932	135°	A	YES
291047	135°	A	NO
291824	135°	A	NO
295419	135°	A	NO
295420	135°	A	YES
295421	135°	A	NO
295427	135°	A	YES
298566	135	A	NO
341201	135°	A	NO
342812	140	B	NO
342813	140	B	NO
348897	135°	A	NO
660040	140	B	NO
660067	135°	A	NO
688468	135°	A	NO
688473	135°	A	NO
688838	135°	A	NO
24519	145°	C	NO
65202	145	C	NO
65204	145°	C	YES
231563	145	C	NO
233155	145	C	NO
238919	145	C	NO
291056	145	C	NO
295338	145	C	NO
279521	145°	C	NO
295728	145	C	NO
297078	145	C	NO
297086	145°	C	NO
299009	145	C	NO
299621	145	C	NO
299833	145	C	NO
341200	145	C	NO
348896	145	C	NO
660074	145	C	NO

ORIGINAL THERMOSTAT NO	TEMPERATURE RANGE	SETTING	TERMINAL CHANGE REQ'D
341146	150°	D	NO
341147	150°	D	NO
660039	150°	D	NO
69173	150°	D	NO
68174	150°	D	NO
238879	150°	D	NO
868581	150°	D	NO
298254	150°	D	NO
298857	150°	D	NO
689927	150°	D	NO
688837	150°	D	NO
688467	150°	D	NO
688472	150°	D	NO
660073	155°	E	NO
229420	155°	E	NO
689930	155°	E	NO
237440	155°	E	NO
238951	155°	E	NO
295431	155°	E	NO
298722	155°	E	NO
299008	155°	E	NO
299620	155°	E	NO
341199	155°	E	NO
348895	155°	E	NO
690032	150°	D	YES
4319380	145°	C	NO

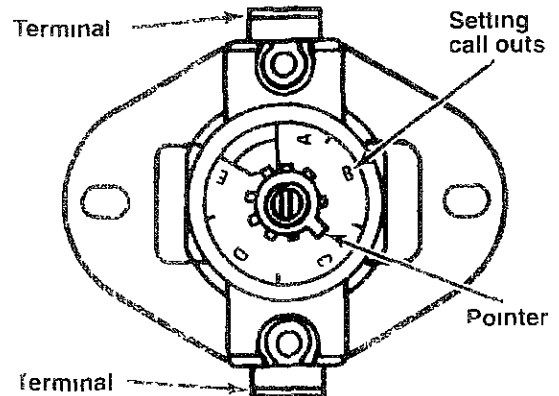


Figure 1