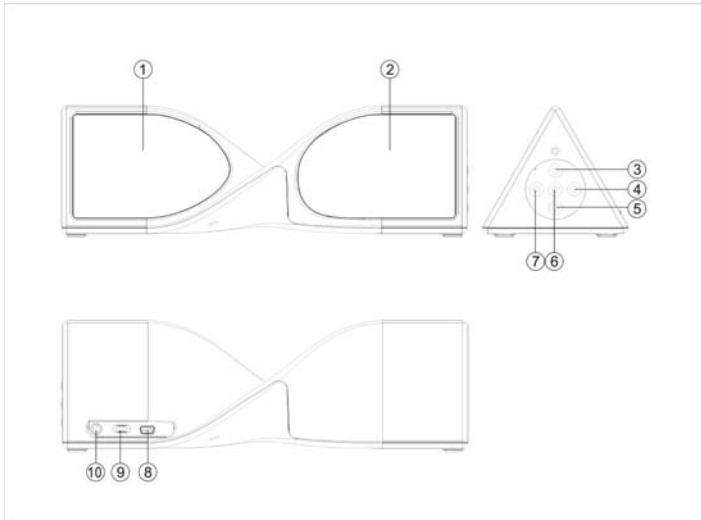


WINSONIC SPK109 Bluetooth Speaker



LOCATION OF CONTROLS



1. Left Speaker Grill
2. Right Speaker Grill
3. Vol + Button
4. ►►Forward button

5. Vol - Button
6. ►►Play/Pause
7. ◀◀Backward Button
8. USB Charging
9. OFF/ON switch
10. AUX Jack

How to connect the SPK109 to your Bluetooth device

1. Make sure your speaker is charged (follow charge instruction)
2. Slide the ON/OFF Switch to ON position, the LED will turn flash green indicating it is searching.
3. Turn on the Bluetooth feature on your mobile compatible device. Search for MERKURY SPB09. Pair and connect to MERKURY SPB09. If pairing is successful, the LED light will stay on in GREEN.
4. You can now start playing your music

How to connect the SPK109 to Aux function

1. Make sure your speaker is charged (follow charge instruction)
2. Slide the ON/OFF Switch to ON position, the LED will turn flash green indicating it is searching.
3. Connect the aux cable to the aux input at the back of the unit

4. Connect the other end to the headphone output(3.5mm)of your smartphone or other device, the LED light will turn off.
5. You can now start playing your music

Volume:

In Bluetooth mode

To turn up the volume, press the Vol+ Button

To turn down the volume, press the Vol- Button

NOTE: Volume can also be adjusted on your Bluetooth Compatible Device, consult your Bluetooth Compatible Device's manual for instructions.

Pause your music

Press the play/pause button to play or pause your music

Forward/backward music

If you want play the next song or previous song, press the backward or forward button

Charge the Built-in Li-Ion Battery

1. Connect the mini USB cable at the back of the speaker. (USB charging)
2. Connect the other end of the cable to a USB port or to a USB AC adapter. (not included)

This device complies with part 15 of the FCC rules.

Operation is subject to the following two conditions: (1) this device may not cause harmful interference, and (2) this device must accept any interference received, including interference that may cause undesired operation.

NOTE: The manufacturer is not responsible for any radio or TV interference caused by unauthorized modifications or changes to this equipment. Such modifications or changes could void the user's authority to operate the equipment.

Power is so low that no RF exposure calculation is needed.

When using it , maintain a distance of 20cm from the body to ensure compliance with RF exposure requirements.