

# STU-430

# STU-530

ⓔ Quick start guide

Ⓓ Schnellstartanleitung

Ⓝ Snelgids

ⓕ Guide de mise en route

Ⓜ Guida rapida

Ⓔ Guía de arranque rápido

Ⓟ Guia de inicialização rápida

Ⓟ Podręcznik szybkiej instalacji

Ⓡ Руководство по быстрому запуску

Ⓜ クイックスタートガイド

Ⓚ 퀵 스타트 가이드

Ⓣ 快速入門指南

Ⓞ 快速入门指南



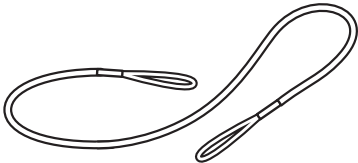
## Important information

The following item provides help and support information for the product.

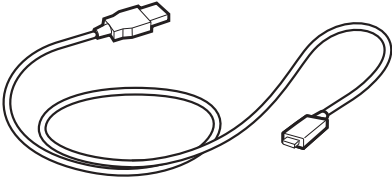
Help and support information	Description
Quick Start Guide (This guide)	Provides a general overview of the STU-430 and STU-530. It includes information about connecting and using the product. Also, it contains precautions, product specifications, and other important information. Read this information carefully before use.

# Supplied accessories

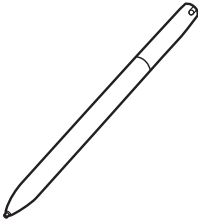
EN



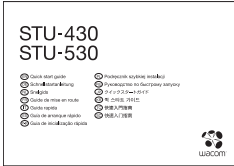
Pen tether



USB cable (3 m)

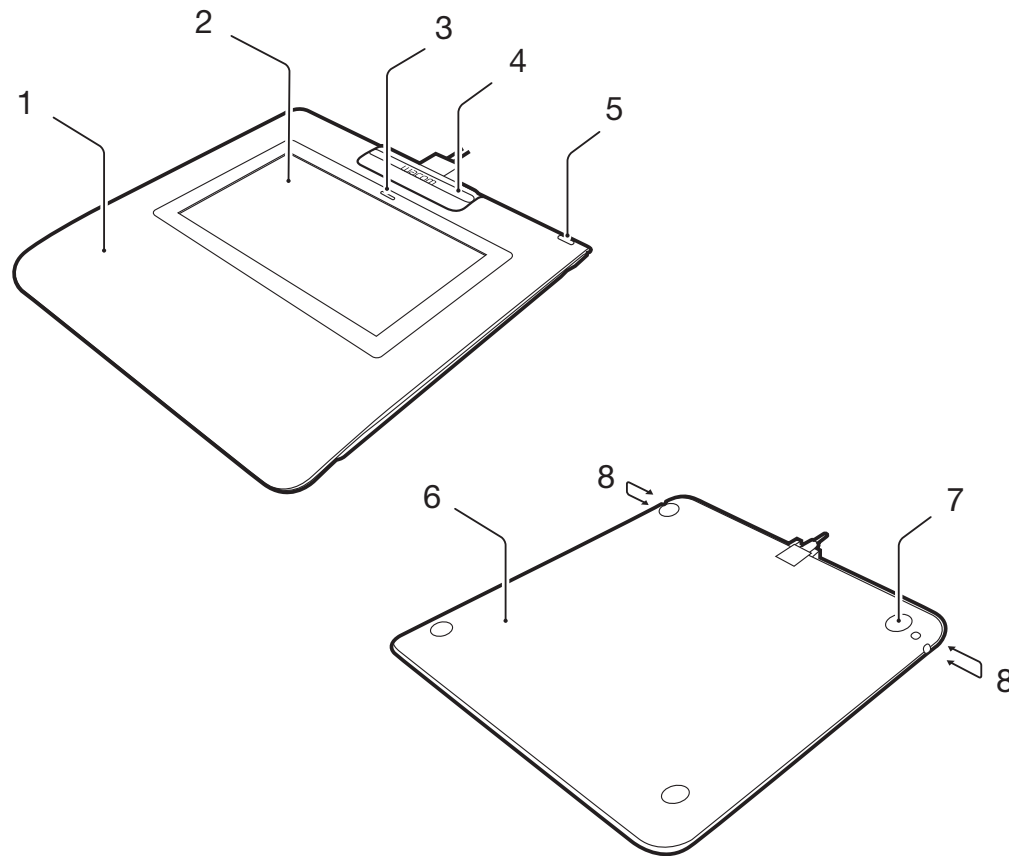


Pen



Quick start guide

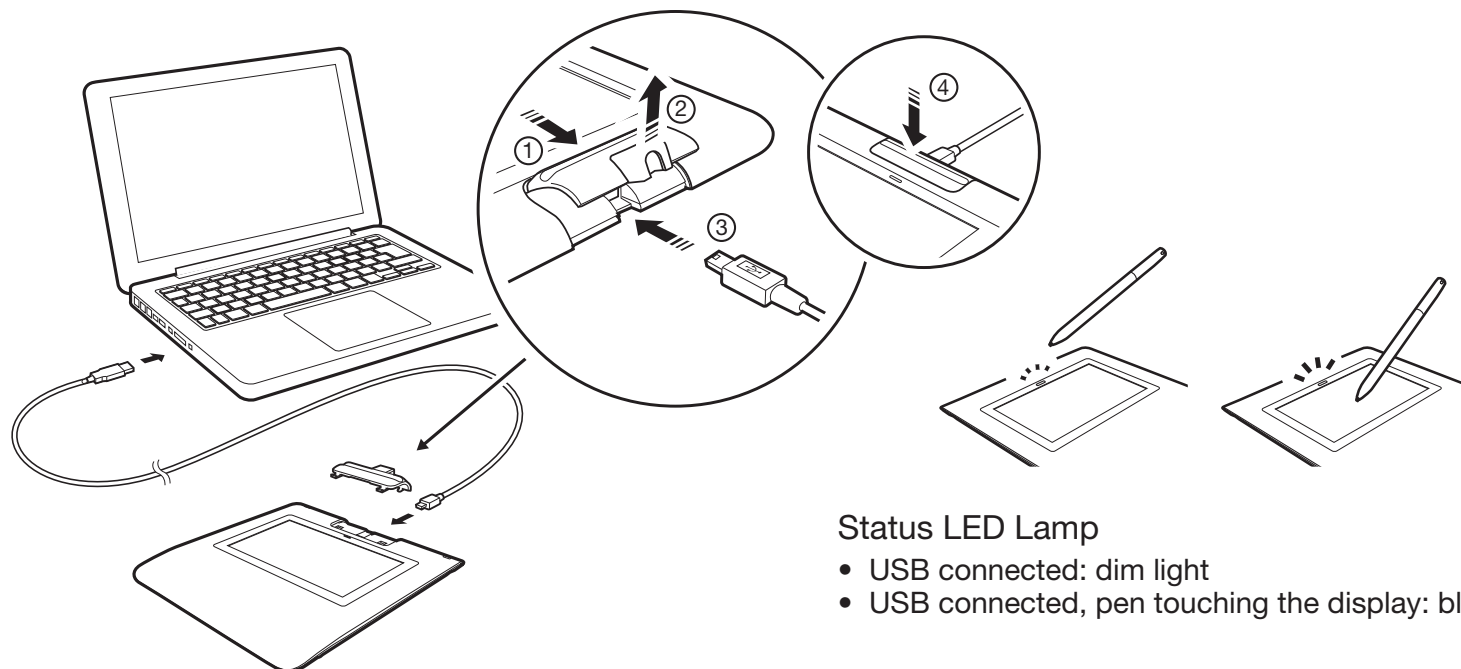
1. Front housing
2. Signing area
3. LED
4. Pen holder
5. Security lock slot
6. Back housing
7. Feet
8. Pen tether hole



## Connecting the product to your computer

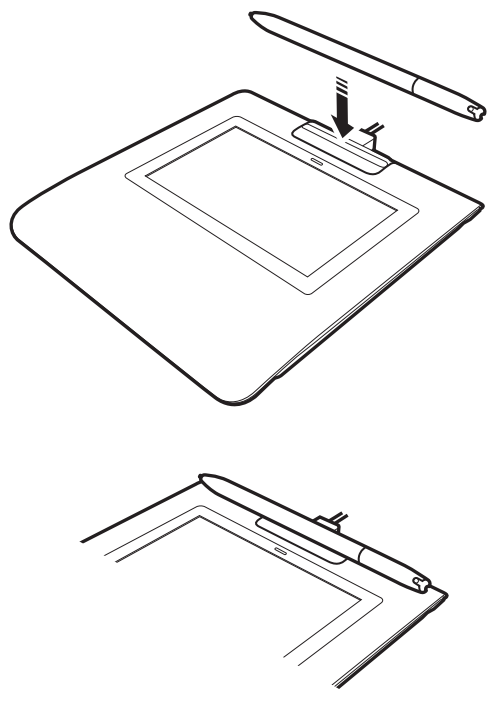
1. Turn off your computer.
2. Plug the USB connector into a free USB port on your computer.

Before connecting the USB cable to the signature pad, the pen holder must be removed to expose the connector. To do this, slide the pen holder toward the top of the signature pad, then lift it up. Once the USB cable is connected, the pen holder can be locked back in place. (The pen holder was designed to secure the USB cable and prevent it from being accidentally detached.)

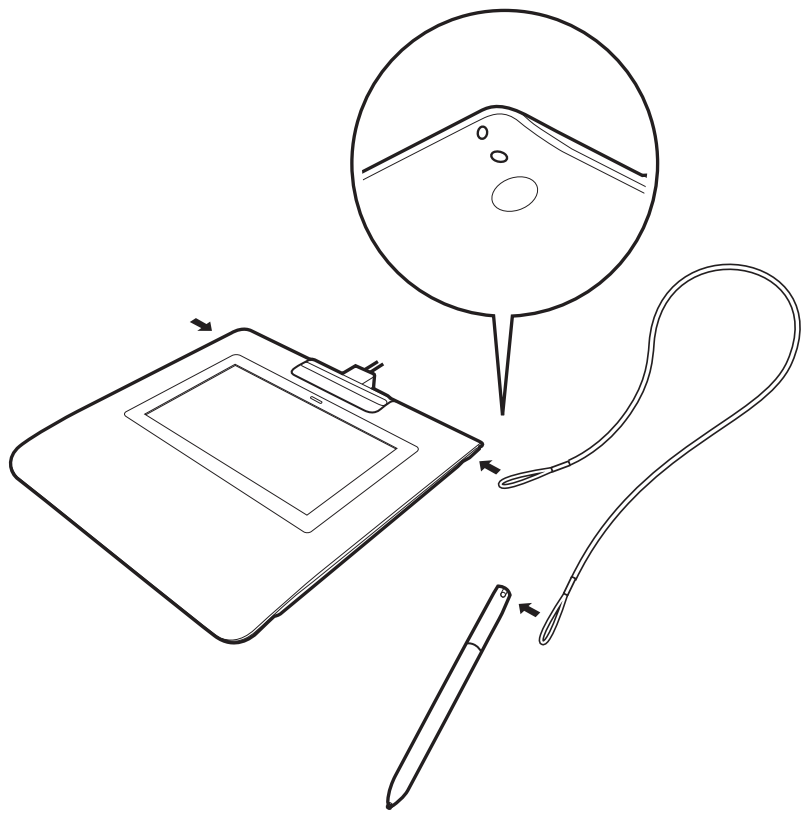


EN

# Pen holder and pen tether



Pen tether hole



## Registering the product

For USA, Canada, Central and South America

Go to [www.wacom.com/support/product-registration](http://www.wacom.com/support/product-registration)

For Europe

Go to [www.wacom.eu/register](http://www.wacom.eu/register)

For Asia Pacific

Visit <https://register.wacom.asia/> and select your region. Then choose the registration option.

## Support options

For USA, Canada, Central and South America

For the latest information and driver updates visit [www.wacom.com](http://www.wacom.com), check the User's Manual, or contact Customer Care at [www.wacom.com/support](http://www.wacom.com/support)

For Europe

Check the Troubleshooting section in the User's Manual, or visit our web site at [www.wacom.eu](http://www.wacom.eu). Technical Support is available Monday - Friday 9:00 to 18:00 (Central European Time). Please refer to [www.wacom.eu/contact](http://www.wacom.eu/contact) for the Technical Support contact details for your country.

For Asia Pacific

Visit our web site at <http://www.wacom.asia/customer-care>

## Precautions

Be sure to follow all instructions, cautions, and warnings found within this guide. Failure to do so could cause the loss of data or damage to your computer. Failure to do so could also void your warranty, in which case Wacom shall have no responsibility to repair or replace the product.

### Warning

Do not use the product in a facility control system that requires extremely high reliability; it may cause other electronic devices to malfunction, or other devices may cause the product to malfunction. Where use is prohibited, power off the product to prevent the possibility of it causing other electronic devices to malfunction. Wacom does not accept any liability for direct or consequential damages.

High Voltage. Do not open or disassemble the product. There is a risk of electrical shock when the casing is open. This will also void your warranty and Wacom shall have no responsibility to repair or replace the product.

If the LCD screen has been damaged, DO NOT touch any liquid that may be leaking from it; this liquid is an irritant. In case of contact with skin, eyes, or mouth, rinse immediately with running water for at least 15 minutes or more. If contact is made with the eyes or mouth, also consult a physician.

Prevent children from swallowing the pen tip. The pen tip may accidentally be pulled out if children are biting on them.

### Caution

Do not use or store the product where:

- Temperature changes are severe or exceed specifications (e.g., outdoors or inside a vehicle).
- The product and pen are exposed to direct sunlight or heat from an appliance, or are exposed to water or any other kind of liquid.

Do not use the product in a dusty environment; this may damage the unit.

Do not disassemble the pen. This may cause the device to malfunction. In this case, Wacom shall have no responsibility to repair or replace the product.

Do not scratch the display screen. Avoid placing sharp objects on the display screen surface.

Avoid intensive shock or vibration to the product or the pen. Hitting or dropping the product may damage the display screen or other components.

Do not put heavy articles on the product or push against it with a strong force; This may damage the display screen.

Do not place heavy articles on the product cabling, repeatedly bend the cables sharply, or apply heavy stress to the cable connectors; this may damage the unit or cabling.

If the pen tip becomes sharp or angular, it may damage the coating on the display screen. Please replace the pen tip if necessary.

Do not expose the product to high voltage electrostatic discharges or to a buildup of an electrostatic charge on the LCD screen. This may result in a temporary blotching of the LCD monitor. If blotching occurs, leave the product's display on and the blotching should disappear within a few hours.

### Note on using this product

#### Replacing the pen tip

For replacement of the pen tips please contact your Wacom Signature Solution Partner.

#### Note on use

When LCD panel is operated continuously for long period, a trace of electric charge remains near the electrode inside the LCD, and residual or "ghost" image of the previous image may be observed (Image persistence).

To avoid image persistence, Wacom recommends the use of a moving screen saver when the screen is turned on but idle.

#### Caring for your LCD signature pad

Keep the pen and LCD screen surface clean. Dust and dirt particles can stick to the pen and cause wear to the display screen surface. Regular cleaning will help prolong the life of your LCD screen surface and pen. Keep the tablet and pen in a clean, dry place and avoid extremes in temperature. Room temperature is best. The product and pen are not made to come apart. Taking apart the product will void your warranty.

#### Cleaning

To clean the product casing or the pen, use a soft, damp cloth; you can also dampen the cloth using a very mild soap diluted with water. Do not use paint thinner, benzine, alcohol, or other solvents to clean the unit casing or pen.

To clean the display screen, use an anti-static cloth or a slightly damp cloth. When cleaning, apply only a light amount of pressure to the display screen and do not make the surface wet. Do not use detergent to clean the display screen; this may damage the coating on the screen. Please note that damage of this kind is not covered by the manufacturer's warranty.



## Product specifications

### STU-430

#### General Specifications

Model/Brand	STU-430
Dimensions (W x D x H)	161.43 x 174.37 x 10.85 mm
Weight	Main Body: 0.279 kg approximately
Operating temperature & humidity	5 to 40 degrees C, humidity: 30% to 80% RH (non-condensing)
Storage temperature & humidity	-20 to 60 degree C, humidity: 30% to 90% RH (non-condensing)
Interface cable	USB Type A to mini B
Power consumption	1.0 W maximum

#### Display

Display panel	FSTN Positive Reflective
Screen size	4.5 inch (95.985 x 59.985 mm)
Number of pixels	320 x 200
Pixel pitch	0.30 (H) x 0.30 (V) mm
LCD quality	Each LCD panel is produced under very stringent quality standards. Production techniques cannot guarantee an absolutely perfect display. Wacom does not allow any pixel to be always white or always black. A small number of pixels are allowed to show a wrong color for some parts of the color spectrum. This does not mean the display is defective.

#### Pen tablet

Reading technology	Electro-magnetic resonance technology
Active area	95.985 x 59.985 mm
Resolution	2540 lpi or 0.01 mm/pt
Accuracy	± 0.5 mm (center), the edge area 1 (20 mm wide from edge of display area) to be ± 2.0 mm, the edge area 2 (3 mm wide from edge of display area) to be ± 4.0 mm

Reading height	5 mm or more (center)
Maximum report rate	200 points/sec
Pressure levels	1024 levels
Communication interface	USB

#### Others

Security slot	1
---------------	---

### STU-530

#### General Specifications

Model/Brand	STU-530
Dimensions (W x D x H)	161.43 x 174.37 x 10.85 mm
Weight	Main Body: 0.289 kg approximately
Operating temperature & humidity	5 to 40 degrees C, humidity: 30% to 80% RH (non-condensing)
Storage temperature & humidity	-20 to 60 degree C, humidity: 30% to 90% RH (non-condensing)
Interface cables	USB Type A to mini B
Power consumption	2.5 W maximum

#### Display

Display panel	Amorphous-TFT-LCD
Screen size	5.0 inch (108.0 x 64.8 mm)
Number of pixels	800 x 480, WVGA
Pixel pitch	0.135 (H) x 0.135 (V) mm
LCD quality	Each LCD panel is produced under very stringent quality standards. Production techniques cannot guarantee an absolutely perfect TFT display. Wacom does not allow any pixel to be always white or always black. A small number of pixels are allowed to show a wrong color for some parts of the color spectrum. This does not mean the display is defective.

## Pen tablet

Reading technology	Electro-magnetic resonance technology
Active area	108.0 x 64.8 mm
Resolution	2540 lpi or 0.01 mm/pt
Accuracy	± 0.5 mm (center), the edge area 1 (20 mm wide from edge of display area) to be ± 2.0 mm, the edge area 2 (3 mm wide from edge of display area) to be ± 4.0 mm
Reading height	5 mm or more (center)
Maximum report rate	200 points/sec
Pressure levels	1024 levels
Communication interface	USB

## Others

Security slot	1
---------------	---

### Pen UP-610-89A-1

Physical size (L * D)	140.5 * 9.0 mm (5.53 * 0.35 in)
Weight	7 g (0.25 oz), approximately
Pen tip travel	0.2 mm (0.04 in) approximately

## Warranties

### Limited warranty (U.S.A. and Canada)

Wacom warrants the product, to the original consumer purchaser, except for the Software and consumable items such as the battery, pen cartridges, tablet surface sheet and nibs, to be free from defects in materials and workmanship under normal use and service for a period of three (3) years, from the date of original retail purchase, as evidenced by a copy of the receipt and registration with Wacom within 30 days of purchase.

The Software is licensed "as is." Wacom makes no warranty with respect to its quality or performance. Wacom cannot guarantee you uninterrupted service or the correction of any errors.

Upon discovery of a defect in the product, except in the Software, within the Warranty Period, you should contact Wacom Technical Support via telephone, email, or fax to obtain an RMA (Return Merchandise Authorization) number and instructions for shipping the product to a service location designated by Wacom. You should send the product, shipping charges prepaid, to the designated service location, accompanied by the return authorization number, your name, address and telephone number, proof of purchase date, and a description of the defect. Wacom will pay for return shipping by United Parcel Service or by an equivalent service as chosen by Wacom.

Wacom's sole obligation and entire liability under this warranty shall be, at Wacom's option, either the repair or replacement of the defective product or parts thereof of which Wacom is notified during the Warranty Period; provided, however, that you are responsible for (i) the cost of transportation of the product to the designated service location and (ii) any loss or damage to the product resulting from such transportation.

Wacom shall have no responsibility to repair or replace the product if the failure of the product has resulted from accident, abuse, misuse, negligence, or unauthorized modification or repair, or if it has been handled or stored other than in accordance with Wacom's storage instructions.

Any descriptions, drawings, specifications, samples, models, bulletins, or similar material, used in connection with the sale of the product, shall not be construed as an express warranty that the product will conform or comply with your requirements.

EXCEPT FOR THE LIMITED WARRANTY DESCRIBED ABOVE, THERE ARE NO OTHER WARRANTIES MADE BY WACOM ON THIS PRODUCT. NO ORAL OR WRITTEN INFORMATION OR ADVICE GIVEN BY WACOM, ITS DEALERS, DISTRIBUTORS, AGENTS, OR EMPLOYEES SHALL CREATE A WARRANTY

OR IN ANY WAY INCREASE THE SCOPE OF THIS WARRANTY, AND YOU MAY NOT RELY ON ANY SUCH INFORMATION OR ADVICE.

THIS WARRANTY GIVES YOU SPECIFIC LEGAL RIGHTS, AND YOU MAY ALSO HAVE OTHER RIGHTS WHICH VARY FROM STATE TO STATE.

WACOM LIMITS THE DURATION OF ANY LEGALLY IMPLIED WARRANTIES INCLUDING IMPLIED WARRANTIES OF MERCHANTABILITY OR FITNESS FOR A PARTICULAR PURPOSE, TO THE DURATION OF WACOM'S EXPRESS WARRANTY. SOME STATES DO NOT ALLOW LIMITATIONS ON HOW LONG AN IMPLIED WARRANTY LASTS, SO THE ABOVE LIMITATION MAY NOT APPLY TO YOU.

NEITHER WACOM NOR ANYONE ELSE WHO HAS BEEN INVOLVED IN THE CREATION, PRODUCTION, OR DELIVERY OF THIS PRODUCT SHALL BE LIABLE FOR ANY DIRECT, CONSEQUENTIAL, OR INCIDENTAL DAMAGES (INCLUDING DAMAGES FOR LOSS OF BUSINESS PROFITS, BUSINESS INTERRUPTION, LOSS OF BUSINESS INFORMATION AND THE LIKE) ARISING OUT OF THE USE OF OR INABILITY TO USE SUCH PRODUCT, EVEN IF WACOM HAS BEEN ADVISED OF THE POSSIBILITY OF SUCH DAMAGES. SOME STATES DO NOT ALLOW THE EXCLUSION OR LIMITATION OF INCIDENTAL OR CONSEQUENTIAL DAMAGES, SO THE ABOVE LIMITATION OR EXCLUSION MAY NOT APPLY TO YOU.

In the event that any of the above limitations are held unenforceable, Wacom's liability for any damages to you or any party shall not exceed the purchase price you paid, regardless of the form of any claim.

This Limited Warranty is governed by the laws of the United States of America and the state of Washington.

This Limited Warranty is valid for and only applies to products purchased and used inside the United States (and its territories or possessions) or Canada.

## Warranty service

To obtain Warranty service within the U.S. or Canada contact:

Wacom Customer Care Center

Phone: 1.360.896.9833

Email Inquiry form: <http://www.wacom.com/productsupport/email.cfm>

Should you have any questions about this Agreement, or if you desire to contact Wacom for any reason, please contact in writing:

Wacom Technology Corporation

1311 SE Cardinal Court  
Vancouver, Washington 98683  
U.S.A.

## Limited warranty (Central America, South America and The Caribbean)

Wacom warrants the product, to the original consumer purchaser, except for the Software and consumable items such as the battery, pen cartridges, tablet surface sheet and nibs, to be free from defects in materials and workmanship under normal use and service for a period of three (3) years, from the date of original retail purchase, as evidenced by a copy of the receipt and registration with Wacom within 30 days of purchase.

The Software is licensed "as is." Wacom makes no warranty with respect to its quality or performance. Wacom cannot guarantee you uninterrupted service or the correction of any errors.

Upon discovery of a defect in the product, except in the Software, within the Warranty Period, you should contact Wacom Technical Support via telephone, email, or fax to obtain an RMA (Return Merchandise Authorization) number and instructions for shipping the product to a service location designated by Wacom. You should send the product, shipping charges prepaid, to the designated service location, accompanied by the return authorization number, your name, address and telephone number, proof of purchase date, and a description of the defect. Wacom will pay for return shipping by United Parcel Service or by an equivalent service as chosen by Wacom.

Wacom's sole obligation and entire liability under this warranty shall be, at Wacom's option, either the repair or replacement of the defective product or parts thereof of which Wacom is notified during the Warranty Period; provided, however, that you are responsible for (i) the cost of transportation of the product to the designated service location and (ii) any loss or damage to the product resulting from such transportation.

Wacom shall have no responsibility to repair or replace the product if the failure of the product has resulted from accident, abuse, misuse, negligence, or unauthorized modification or repair, or if it has been handled or stored other than in accordance with Wacom's storage instructions.

Any descriptions, drawings, specifications, samples, models, bulletins, or similar material, used in connection with the sale of the product, shall not be construed as an express warranty that the product will conform or comply with your requirements.

EXCEPT FOR THE LIMITED WARRANTY DESCRIBED ABOVE, THERE ARE NO OTHER WARRANTIES MADE BY WACOM ON THIS PRODUCT. NO ORAL OR WRITTEN INFORMATION OR ADVICE GIVEN BY WACOM, ITS DEALERS, DISTRIBUTORS, AGENTS, OR EMPLOYEES SHALL CREATE A WARRANTY OR IN ANY WAY INCREASE THE SCOPE OF THIS WARRANTY, AND YOU

MAY NOT RELY ON ANY SUCH INFORMATION OR ADVICE.

THIS WARRANTY GIVES YOU SPECIFIC LEGAL RIGHTS, AND YOU MAY ALSO HAVE OTHER RIGHTS WHICH VARY FROM COUNTRY TO COUNTRY.

WACOM LIMITS THE DURATION OF ANY LEGALLY IMPLIED WARRANTIES INCLUDING IMPLIED WARRANTIES OF MERCHANTABILITY OR FITNESS FOR A PARTICULAR PURPOSE, TO THE DURATION OF WACOM'S EXPRESS WARRANTY. SOME COUNTRIES DO NOT ALLOW LIMITATIONS ON HOW LONG AN IMPLIED WARRANTY LASTS, SO THE ABOVE LIMITATION MAY NOT APPLY TO YOU.

NEITHER WACOM NOR ANYONE ELSE WHO HAS BEEN INVOLVED IN THE CREATION, PRODUCTION, OR DELIVERY OF THIS PRODUCT SHALL BE LIABLE FOR ANY DIRECT, CONSEQUENTIAL, OR INCIDENTAL DAMAGES (INCLUDING DAMAGES FOR LOSS OF BUSINESS PROFITS, BUSINESS INTERRUPTION, LOSS OF BUSINESS INFORMATION AND THE LIKE) ARISING OUT OF THE USE OF OR INABILITY TO USE SUCH PRODUCT, EVEN IF WACOM HAS BEEN ADVISED OF THE POSSIBILITY OF SUCH DAMAGES. SOME COUNTRIES DO NOT ALLOW THE EXCLUSION OR LIMITATION OF INCIDENTAL OR CONSEQUENTIAL DAMAGES, SO THE ABOVE LIMITATION OR EXCLUSION MAY NOT APPLY TO YOU.

In the event that any of the above limitations are held unenforceable, Wacom's liability for any damages to you or any party shall not exceed the purchase price you paid, regardless of the form of any claim.

This Limited Warranty is governed by the laws of the United States of America and the state of Washington.

This Limited Warranty is valid for and only applies to products purchased and used inside Central America, South America or the Caribbean.

## Warranty service

To obtain Warranty service within Central America, South America or the Caribbean contact your local dealer or distributor.

Wacom Customer Care Center

Spanish: <http://www.wacom.com/sp/productsupport/email.cfm>

Portuguese: <http://www.wacom.com/pr/productsupport/email.cfm>

Should you have any questions about this Agreement, or if you desire to contact Wacom for any reason, please contact in writing:

Wacom Technology Corporation  
1311 SE Cardinal Court  
Vancouver, Washington 98683  
U.S.A.

## Limited warranty (Europe, Africa and Middle East)

WACOM warrants to you, as the initial purchaser, (hereinafter referred to as "you" or "the customer") that the product hardware will remain free from defects in materials and workmanship under normal use and service for a warranty period of THREE (3) YEARS,

commencing from the purchase date and provided that the product was unused at the time of purchase. Defects in wear parts (e.g. pen nibs, tablet surfaces and batteries) resulting from normal wear and tear are exempt from the warranty. Furthermore, WACOM warrants that the data carriers delivered with the product are free from defects in materials and workmanship under normal use for a period of SIX (6) MONTHS from the date of purchase.

If during the applicable warranty period the product, excluding any software, is discovered to be defective, it should be returned immediately to the place of purchase in its original packaging together with your name, address, and telephone number, a description of the problem, and a copy of the original receipt. The customer shall be liable for any possible damage or loss of the product during transit to the place of purchase for this purpose.

WACOM's sole obligation and entire liability under this warranty shall be, at WACOM's option, either the repair or the replacement of the product or parts thereof that prove defective and that were returned within the applicable warranty period.

WACOM does not warrant to repair or replace the product if: (a) the damage to the product results from accident, misuse, improper use, negligence or unauthorised alteration or repair; (b) the product was not handled or stored according to the instructions provided by WACOM; (c) the damage resulted from normal wear and tear of product parts; or d) the serial number affixed by WACOM has been removed or rendered unintelligible.

Any descriptions, drawings, specifications, samples, models, notifications or similar material provided in connection with the purchase of the product cannot be taken as an explicit guarantee that the product corresponds to or fulfils your requirements.

The warranty guaranteed by law remains unaffected. You can claim defects of the product in accordance with the relevant legal provisions.

WACOM shall only be liable for itself and its vicarious agents if a material contractual obligation has been culpably breached in a manner jeopardising the purpose of the contract or the damage is due to intentional acts or omissions or gross negligence. A material contractual obligation is an obligation which is essential to the proper performance of the contract on which the other party will typically rely. In case that the culpable infringement of such a material

contractual obligation is not due to intention or gross negligence, the liability of a party shall be limited to such damages being typical for the contract and which were reasonably foreseeable at the time of the closure of the contract. Where these Terms and Conditions preclude or limit liability, this also applies to the personal liability of the executive officers of the party concerned, its employees, agents and subcontractors. The provisions of the product liability law (Produkthaftungsgesetz) remain unaffected.

If, when a claim made under this warranty is checked, it emerges that it is outside the permitted time period or is not covered by the warranty or that the product is not defective, the customer will reimburse WACOM for associated costs.

This limited warranty shall apply if the registered office of the vendor is situated in the EU or Iceland, Norway, Jersey, Switzerland, Russia, the Ukraine, Croatia, Serbia, Tunisia, Turkey, Syria, Lebanon, Jordan, Israel, Egypt, the United Arab Emirates, Iran or South Africa. This warranty is subject to German law. However, the applicability of the United Nations Convention on Contracts for the International Sale of Goods is explicitly excluded. The city of Krefeld, Germany, is the sole place of jurisdiction for all claims arising from this contractual relationship and all disputes between the parties resulting from the formation, handling or termination of the contractual relationship, provided that the customer is a trader, a legal entity or fund under public law. The jurisdiction agreement shall also apply for customers who do not have a general place of jurisdiction in Germany. The jurisdiction agreement shall not apply if, due to legal provisions, a different sole place of jurisdiction must be established for the case.

Furthermore, WACOM is authorised to file a lawsuit against the headquarters of the customer.

Should one of the provisions of this limited warranty be or become void, the validity of the other provisions shall not be affected, in full or in part. Should a provision be invalid, the legally permissible regulation most closely resembling the invalid regulation shall apply in its place. If you have any questions about this agreement, or would like to contact WACOM for another reason, please write to us at this address:

WACOM Europe GmbH  
Europark Fichtenhain A9  
47807 Krefeld  
GERMANY

## Limited warranty (Asia Pacific region)

Wacom Co., Ltd. warrants the product, to the original consumer purchaser, to be free from defects in materials and workmanship under normal use and service for a period of one (1) year, from the date of original retail purchase, as evidenced by a copy of the receipt (proof of purchase).

The Software is licensed "as is." Wacom makes no warranty with respect to its quality or performance or others. Wacom cannot guarantee you uninterrupted service or the correction of any errors. Wacom also makes no warranty for consumable items such as battery, pen cartridges, tablet surface sheet and nibs.

Upon discovery of a defect in the product, except in the Software, within the Warranty Period, the warranty holder must contact the original place of purchase to obtain instructions for returning the product for repair or replacement. Wacom and its partners are not obligated to reimburse unauthorized prepaid shipment.

The warranty holder is under no obligation to pay for shipment charges between the original place of purchase and the place of repair or replacement.

Wacom's sole obligation and entire liability under this warranty shall be, at Wacom's option, either the repair or replacement of the defective product or parts thereof of which Wacom is notified during the Warranty Period.

Wacom shall have no responsibility to repair or replace the product if the failure of the product has resulted from force majeure including but not limited to fire, natural disasters, accident, and act of god; intentional or accidental abuse, misuse, negligence, unauthorized modification or repair, usage of this product in a fashion other than as explained in the users guide, or if the product has been handled or stored other than in accordance with Wacom's storage instructions.

Any descriptions, drawings, specifications, samples, models, bulletins, or similar material, used in connection with the sale of the product, shall not be construed as an express warranty that the product will conform or comply with your requirements.

EXCEPT FOR THE LIMITED WARRANTY DESCRIBED ABOVE, THERE ARE NO OTHER WARRANTIES MADE BY WACOM ON THIS PRODUCT. NO ORAL OR WRITTEN INFORMATION OR ADVICE GIVEN BY WACOM, ITS DEALERS, DISTRIBUTORS, AGENTS, OR EMPLOYEES SHALL CREATE A WARRANTY OR IN ANY WAY INCREASE THE SCOPE OF THIS WARRANTY, AND YOU MAY NOT RELY ON ANY SUCH INFORMATION OR ADVICE. THIS WARRANTY GIVES YOU SPECIFIC LEGAL RIGHTS, AND YOU MAY ALSO HAVE OTHER RIGHTS WHICH VARY FROM COUNTRY TO COUNTRY.

WACOM LIMITS THE DURATION OF ANY LEGALLY IMPLIED WARRANTIES INCLUDING IMPLIED WARRANTIES OF MERCHANTABILITY OR FITNESS FOR A PARTICULAR PURPOSE, TO THE DURATION OF WACOM'S EXPRESS WARRANTY.

SOME COUNTRIES DO NOT ALLOW LIMITATIONS ON HOW LONG AN IMPLIED WARRANTY LASTS, SO THE ABOVE LIMITATION MAY NOT APPLY TO YOU.

NEITHER WACOM NOR ANYONE ELSE WHO HAS BEEN INVOLVED IN THE CREATION, PRODUCTION, OR DELIVERY OF THIS PRODUCT SHALL BE LIABLE FOR ANY DIRECT, CONSEQUENTIAL, OR INCIDENTAL DAMAGES (INCLUDING DAMAGES FOR LOSS OF BUSINESS PROFITS, BUSINESS INTERRUPTION, LOSS OF BUSINESS INFORMATION AND THE LIKE) ARISING OUT OF THE USE OF OR INABILITY TO USE SUCH PRODUCT, EVEN IF WACOM HAS BEEN ADVISED OF THE POSSIBILITY OF SUCH DAMAGES. SOME COUNTRIES DO NOT ALLOW THE EXCLUSION OR LIMITATION OF INCIDENTAL OR CONSEQUENTIAL DAMAGES, SO THE ABOVE LIMITATION OR EXCLUSION MAY NOT APPLY TO YOU.

In the event that any of the above limitations are held unenforceable, Wacom's liability for any damages to you or any party shall not exceed the purchase price you paid, regardless of the form of any claim.

This Limited Warranty is valid for and only applies to products purchased and used inside the countries and territories of Asia Pacific excluding Japan, the People's Republic of China, Hong Kong, and countries in the Middle East.

This Limited Warranty is a statement of the current warranty policy of the Asia Pacific Division of Wacom Co., Ltd. and takes precedent over all other warranty statements contained in packaging, brochures, manuals, etc.

This Limited Warranty is governed by the laws of Japan and is subject to change without prior notice.

Australian Consumer law Our goods come with guarantees that cannot be excluded under the Australian Consumer Law. You are entitled to a replacement or refund for a major failure and for compensation for any other reasonably foreseeable loss or damage. You are also entitled to have the goods repaired or replaced if the goods fail to be of acceptable quality and the failure does not amount to a major failure. Our hardware products come with a one (1) year warranty given by Wacom Co., Ltd. with a subsidiary located at Wacom Australia Pty. Ltd. Ground floor, Building 1,3 Richardson Place, North Ryde, NSW, 2113 Australia. If your products do not provide the general features and functions described in the User Documentation in the one (1) year period after delivery to you please contact Wacom Australia Pty. Ltd. at +61-29422-6700 with details of your product, serial number, and proof of purchase. You may be required to return the hardware product to the address we provide to you

at the time, in which case such return will be at your own cost. The benefits under this warranty are in addition to other rights and remedies that you may have at law.

Warranty Service / Wacom Technical Support in Asia Pacific (except Japan, the People's Republic of China, Hong Kong, and countries in the Middle East) Detailed Asia Pacific Limited Warranty policy and product registration may be found online at <http://www.wacom.asia/customer-care>

To obtain technical support or Warranty service within Southeast and South Asia, Oceania and Taiwan, please contact the Wacom Customer Support Service. Phone numbers can be found here:

<http://wacom-wapcc.com/inquiry/create>

Should you have any questions about this Agreement, or if you desire to contact Wacom for any reason, please contact from the site below

<http://wacom-wapcc.com/inquiry/create>

## DISPOSAL AND RECYCLING INFORMATION

### EU ROHS

Wacom products comply with the European Union RoHS Directive 2002/95/EC (RoHS Directive).

### EU DISPOSAL INFORMATION (WEEE)



Reuse, recycling, and recovery. You are urged to recycle this product when replacing it with a newer product or when it has outlived its useful life by bringing it to an appropriate collection point for recyclable materials in your community or region.

By doing this, you can help improve the environment of your community as well as minimize the potential negative effects created should any hazardous substance that may possibly be present within waste material reach the environment during the disposal process.

Within the European Union, users are required not to dispose of Waste Electrical and Electronic Equipment (WEEE) as unsorted municipal waste, according to the Directive 2002/96/EC of the European Parliament and of the Council of 27 January 2003, or the corresponding local laws of the Member States. Products for which this is applicable will be marked with the WEEE symbol shown at the beginning of this note unless this is not feasible because of the size or the function of the product. Wacom products are subject to the Directive 2002/96/EC and therefore you should always collect them separately and bring them to the appropriate collection point in your community or region.

**HG-LAMP(S) INSIDE THIS PRODUCT CONTAIN MERCURY AND MUST BE RECYCLED OR DISPOSED OF ACCORDING TO LOCAL, STATE OR FEDERAL LAWS.**

The STU-430 and STU-530 pen display has a backlight which contains mercury (HG). Be sure to dispose of it properly, and to manage any disposal of this unit in accordance with your local ordinances and laws.

### UNITED STATES E-WASTE PROGRAM

Wacom Technology, as a manufacturer of electronic monitors, is subject to and fully compliant with eWaste legislation in various states. For more information on the collection sites and statewide eWaste recycling programs in the United States, please visit: <http://www.wacom.com/eWaste> or call 1-800-922-6613

## REGULATORY STATEMENT

### FCC NOTICE

This device complies with Part 15 of the FCC Rules. Operation is subject to the following two conditions: (1) this device may not cause harmful interference, and (2) this device must accept any interference received, including interference that may cause undesired operation.

This device complies with Industry Canada licence-exempt RSS standard(s). Operation is subject to the following two conditions:  
 (1) this device may not cause interference, and  
 (2) this device must accept any interference, including interference that may cause undesired operation of the device.

Le présent appareil est conforme aux CNR d'Industrie Canada applicables aux appareils radio exempts de licence. L'exploitation est autorisée aux deux conditions suivantes :

- (1) l'appareil ne doit pas produire de brouillage, et
- (2) l'utilisateur de l'appareil doit accepter tout brouillage radioélectrique subi, même si le brouillage est susceptible d'en compromettre le fonctionnement.

This equipment has been tested and found to comply with the limits for a Class B digital device, pursuant to Part 15 of FCC Rules. These limits are designed to provide reasonable protection against harmful interference in a residential installation.

This equipment generates, uses and can radiate radio frequency energy and, if not installed and used in accordance with the instructions, may cause harmful interference to radio communications. However, there is no guarantee that interference will not occur in a particular installation.

You can determine whether the equipment is causing interference by disconnecting it from your computer. If the interference stops, it was probably caused by the equipment.

If the equipment does cause interference to radio or television reception, you may be able to correct the interference by using one or more of the following measures:

- Rotate the television or radio antenna until the interference stops.
- Move the equipment farther away from the television or radio.
- Plug the equipment and computer into an outlet that is on a different circuit from the television or radio.



EN

If necessary, consult your Wacom dealer or an experienced radio/television technician for help.

Changes or modifications to this product not authorized by Wacom could void the FCC

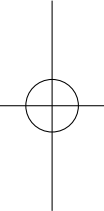
Certification and negate your authority to operate the product.

## INDUSTRY CANADA (CANADA ONLY)

Industry Canada, Class B

"This Class (B) digital apparatus complies with Canadian ICES-003"

## CE DECLARATION



The Wacom product(s), (STU-430 and STU-530) conform(s) to the following directive(s):

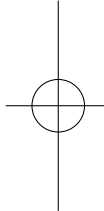
EMC Directive 2004/108/EC

The European harmonized norms and tests used to evaluate the product(s) for this declaration are referable on the Wacom website (<http://www.wacom.eu/certificates>).

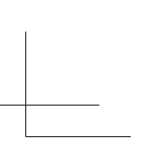
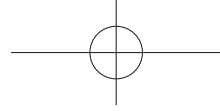
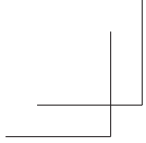
Based on the results of those tests, Wacom indicates this conformity by the CE-sign on the above mentioned product(s).

The product(s) must be installed and operated always in accordance with the instructions given in this document.

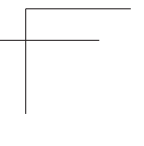
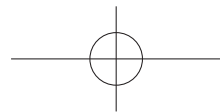
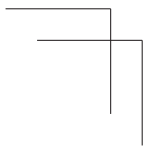
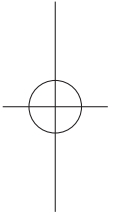
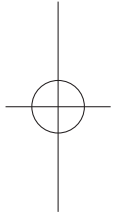
Any changes or modifications to this product that were not specifically authorized by Wacom will invalidate this declaration.







EN



## Wichtige Informationen

DE

Hier finden Sie Hilfe- und Support-Informationen zum Produkt.

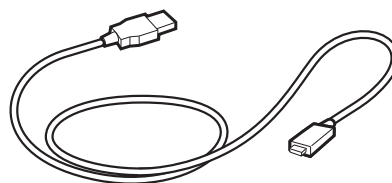
Hilfe- und Support-Informationen	Beschreibung
Schnellstartanleitung (diese Anleitung)	Die Schnellstartanleitung bietet eine kurze Übersicht über STU-430 und STU-530. Sie enthält Informationen zum Anschließen und zur Verwendung des Produkts. Hier finden Sie auch die Sicherheitsvorkehrungen für das Produkt, Spezifikationen und weitere wichtige Informationen. Lesen Sie diese vor der Verwendung sorgfältig durch.

## Mitgeliefertes Zubehör

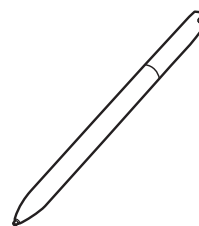
DE



Stiftband



USB-Kabel (3 m)



Stift

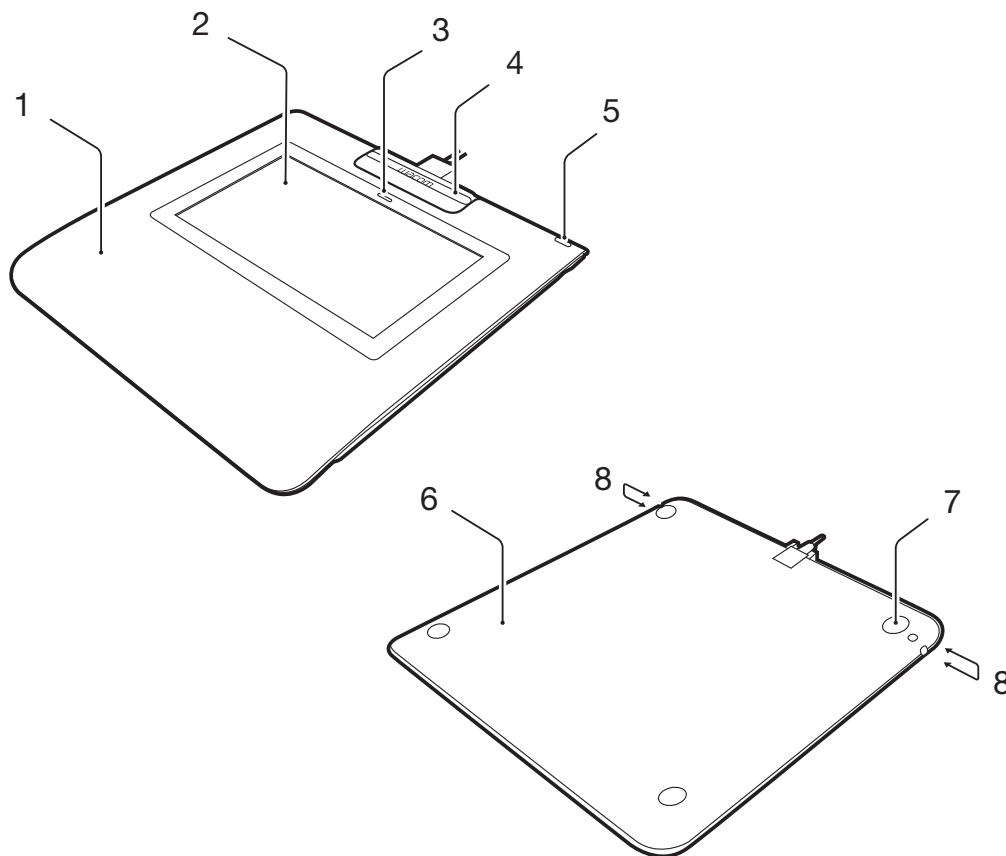


Schnellstartanleitung

## Lernen Sie das Produkt kennen

DE

1. Gehäusevorderseite
2. Unterschriftenbereich
3. LED
4. Stifthalter
5. Schlitz für Sicherheitsschloss
6. Gehäuserückseite
7. Füße
8. Öffnung zur Befestigung des Stiftbands

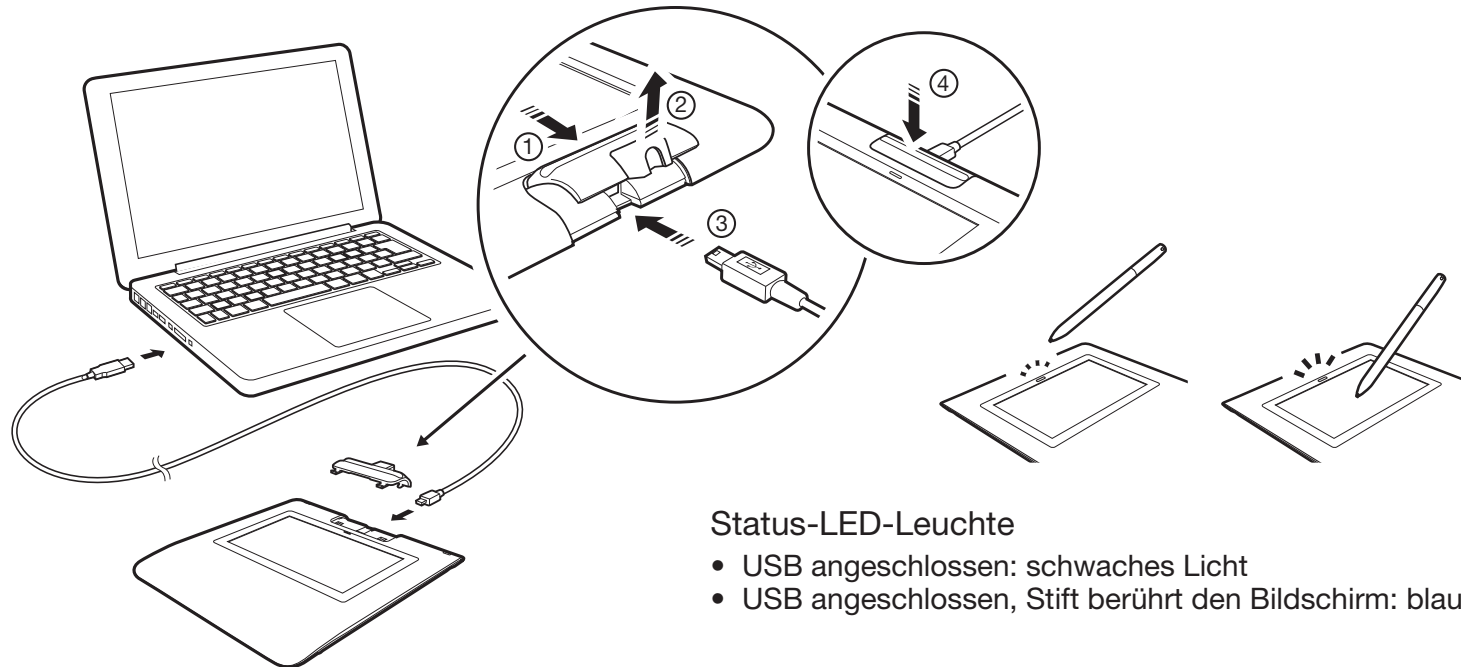


## Verbindung des Produkts mit Ihrem Computer

1. Schalten Sie Ihren Computer aus.
2. Schließen Sie den USB-Stecker an einen freien USB-Anschluss Ihres Computers an.

Vor dem Anschließen des USB-Kabels an das Unterschriften-Pad muss der Stifthalter entfernt werden, um den Anschluss freizulegen. Schieben Sie zu diesem Zweck den Stifthalter in Richtung des oberen Endes des Unterschriften-Pads, und heben Sie ihn ab. Wenn das USB-Kabel angeschlossen ist, kann der Stifthalter wieder eingerastet werden.

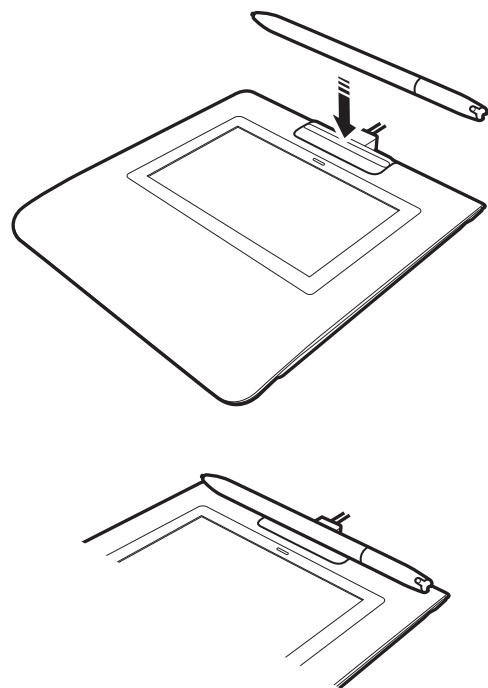
(Der Stifthalter ist so konzipiert, dass er das USB-Kabel sichert und verhindert, dass es sich versehentlich löst.)



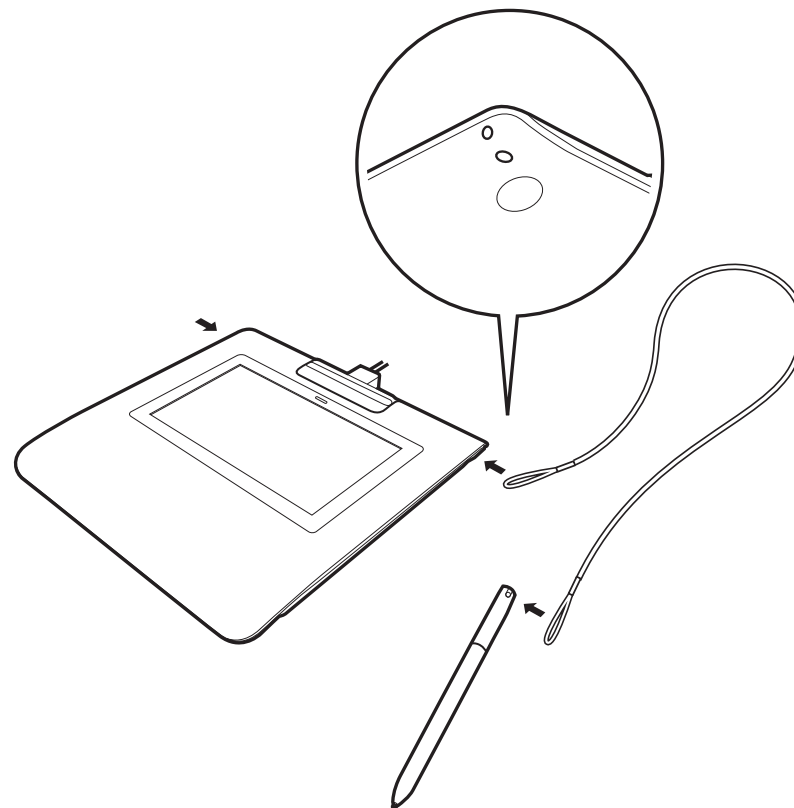
DE

## Stifthalter und Stiftband

DE



## Öffnung zur Befestigung des Stiftbands



## Registrierung des Produkts

Für Europa

Besuchen Sie [www.wacom.eu/register](http://www.wacom.eu/register)

DE

## Support-Optionen

Für Europa

Weitere Informationen finden Sie im Abschnitt zur Fehlerbehebung im Benutzerhandbuch oder auf unserer Website [www.wacom.eu](http://www.wacom.eu)

Der technische Kundendienst steht Ihnen von Montag bis Freitag von 09:00 bis 18:00 Uhr (mitteleuropäischer Zeit) zur Verfügung.

Kontaktangaben zum technischen Kundendienst in Ihrem Land finden Sie unter [www.wacom.eu/contact](http://www.wacom.eu/contact)

## Warnungen und Vorsichtsmaßnahmen

Beachten Sie alle Anweisungen, Vorsichtshinweise und Warnungen in diesem Handbuch. Die Nichtbeachtung kann zu Datenverlust oder Beschädigungen an Ihrem Computer führen. Bei Nichtbeachtung erlischt möglicherweise Ihr Garantieanspruch. In diesem Fall übernimmt Wacom keine Verantwortung für die Reparatur oder den Ersatz des Produkts.

### Warnung

Setzen Sie das Produkt nicht in Einrichtungskontrollsystemen ein, für die extrem hohe Zuverlässigkeit erforderlich ist. Dabei können Fehlfunktionen bei anderen elektronischen Geräten auftreten, oder andere Geräte können Fehlfunktionen des Produkts verursachen. Schalten Sie das Produkt an Standorten aus, an denen der Einsatz verboten ist, damit die Gefahr von Fehlfunktionen anderer elektronischer Geräte vermieden wird. Wacom übernimmt keinerlei Verantwortung für unmittelbare Schäden oder Folgeschäden.

Hochspannung. Öffnen bzw. zerlegen Sie das Produkt nicht. Bei offenem Gehäuse besteht die Gefahr eines Stromschlags. Darüber hinaus erlischt dadurch Ihr Garantieanspruch und Wacom übernimmt keinerlei Verantwortung für die Reparatur oder den Ersatz des Produkts.

Berühren Sie im Falle einer Beschädigung des LCD-Bildschirms KEINESFALLS die möglicherweise austretende Flüssigkeit; diese Flüssigkeit kann zu Hautreizungen führen. Falls die Flüssigkeit dennoch mit Haut, Augen oder Mund in Berührung kommt, spülen Sie die betreffende Stelle sofort mindestens 15 Minuten lang unter fließendem Wasser ab. Suchen Sie bei Kontakt mit Augen und Mund außerdem einen Arzt auf.

Bewahren Sie die Stiftspitze außerhalb der Reichweite von Kindern auf. Wenn Kinder auf den Stift beißen, besteht die Gefahr, dass sich die Stiftspitze löst.

### Achtung

Das Produkt darf unter folgenden Bedingungen nicht betrieben oder gelagert werden:

- Bei größeren Temperaturschwankungen bzw. außerhalb des angegebenen Bereichs liegenden Temperaturen (z. B. außerhalb geschlossener Räume oder in einem Fahrzeug).
- An Orten, an denen das Produkt und der Stift direkter Sonneneinstrahlung oder Wärme eines anderen Geräts, Wasser und anderen Flüssigkeiten ausgesetzt sind.

Setzen Sie das Produkt nicht in einer staubigen Umgebung ein. Dadurch kann das Gerät beschädigt werden.

Nehmen Sie den Stift nicht auseinander. Dies verursacht möglicherweise Fehlfunktionen des Geräts. In diesem Fall übernimmt Wacom keine Verantwortung für die Reparatur oder den Ersatz des Produkts.

Achten Sie darauf, dass der Bildschirm nicht verkratzt wird. Stellen Sie keine scharfen Gegenstände auf die Bildschirmoberfläche.

Vermeiden Sie heftige Erschütterungen des Produkts oder des Stiftes. Wenn Sie das Produkt heftigen Stößen aussetzen oder es fallen lassen, können der Bildschirm und andere Bauteile beschädigt werden.

Stellen Sie keine schweren Gegenstände auf das Produkt, und stoßen Sie nicht mit Gewalt dagegen. Dadurch kann der Bildschirm beschädigt werden.

Stellen Sie keine schweren Gegenstände auf die Kabel des Produkts, knicken Sie die Kabel nicht wiederholt und üben Sie keinen starken Druck auf die Kabelanschlüsse aus. Dadurch können das Gerät oder die Kabel beschädigt werden.

Wenn die Stiftspitze scharf oder kantig wird, kann die Oberfläche des Bildschirms beschädigt werden. Ersetzen Sie die Stiftspitze gegebenenfalls.

Setzen Sie das Produkt niemals elektrostatischen Entladungen mit hoher Spannung oder dem Aufbau von elektrostatischer Ladung am LCD-Bildschirm aus. Dadurch können am LCD-Bildschirm vorübergehend Flecken entstehen. Wenn Flecken auftreten, lassen Sie das Display des Produkts eingeschaltet. Die Flecken sind nach wenigen Stunden wieder verschwunden.

## Hinweis zur Verwendung dieses Produkts

### Austauschen der Stiftspitze

Wenden Sie sich zum Austausch der Stiftspitzen an den Wacom Signature Solution Partner.

### Hinweis zur Verwendung

Wenn der LCD-Bildschirm längere Zeit fortlaufend verwendet wird, verbleibt eine elektrische Restladung in der Nähe der Elektrode im LCD. Das kann zu einem Rest- oder Geisterbild des früheren Bilds führen (Bildeinbrennung).

Um Bildeinbrennung zu verhindern, empfiehlt Wacom die Verwendung eines beweglichen Bildschirmschoners, wenn der Bildschirm eingeschaltet ist, aber nicht gebraucht wird.

### Pflege des LCD-Unterschriften-Pads

Halten Sie den Stift und die LCD-Bildschirmoberfläche sauber. Staub- und Schmutzpartikel können am Stift kleben bleiben und die Bildschirmoberfläche abnutzen. Durch regelmäßiges Reinigen wird die Lebensdauer der LCD-Bildschirmoberfläche und des Stiftes verlängert. Bewahren Sie das Tablett und den Stift an einem sauberen, trockenen Platz auf, und vermeiden Sie starke Temperaturschwankungen. Zimmertemperatur ist am besten geeignet. Das Produkt und der Stift sollten nicht auseinander genommen werden. Wenn Sie das Gerät auseinander nehmen, erlischt Ihr Garantieanspruch.

### Reinigen

Verwenden Sie ein weiches, feuchtes Tuch, um das Gehäuse und den Stift des Produkts zu reinigen. Sie können das Tuch auch mit sehr mildem Seifenwasser befeuchten. Verwenden Sie keine Farbverdünner, Benzin, Alkohol oder andere Lösungsmittel, um das Gehäuse des Geräts oder den Stift zu reinigen.

Reinigen Sie den Bildschirm mit einem antistatischen oder leicht angefeuchteten Tuch. Üben Sie bei der Reinigung nur minimalen Druck auf den Bildschirm aus und achten Sie darauf, dass die Oberfläche nicht nass wird. Verwenden Sie zum Reinigen des Bildschirms kein Reinigungsmittel, da dadurch die Beschichtung des Bildschirms beschädigt werden kann. Beachten Sie, dass derartige Schäden nicht unter die Garantiebestimmungen des Herstellers fallen.



## Technische Daten

### STU-430

#### Allgemeine Spezifikationen

Modell/Marke	STU-430
Maße (B x T x H)	161,43 x 174,37 x 10,85 mm
Gewicht	Hauptteil: ca. 0,279 kg
Betriebstemperatur und Luftfeuchtigkeit	5 bis 40 °C, relative Luftfeuchtigkeit: 30 bis 80 % (nicht kondensierend)
Lagertemperatur und Luftfeuchtigkeit	-20 bis 60 °C, relative Luftfeuchtigkeit: 30 % bis 90 % (nicht kondensierend)
Schnittstellenkabel	USB Typ A zu USB mini-B
Stromverbrauch	1,0 W-Maximum

#### Display

Display	FSTN Positive Reflective
Bildschirmgröße	4,5 Zoll
Anzahl der Pixel	320 x 200
Punktabstand	0,30 (H) x 0,30 (V) mm
LCD-Qualität	Jedes einzelne LCD-Display wird unter Einhaltung strenger Qualitätsstandards hergestellt. Herstellungsbedingt kann kein absolut perfektes TFT-Display garantiert werden. Wacom lässt nicht zu, dass ein einziges Pixel nur weiß ist. Eine geringe Anzahl von Pixeln darf für bestimmte Teile des Farbspektrums jedoch eine falsche Farbe aufweisen. Dies bedeutet nicht, dass die Anzeige fehlerhaft ist.

#### Stifttablett

Lesetechnologie	Elektromagnetische Resonanztechnologie
Aktiver Bereich	95,985 x 59,985 mm
Auflösung	2540 lpi oder 0,01 mm/pt
Präzision	±0,5 mm (Mitte), Randbereich 1 (20 mm vom Rand des Anzeigebereichs): ±2,0 mm, Randbereich 2 (3 mm vom Rand des Anzeigebereichs): ±4,0 mm

Lesehöhe	5 mm oder mehr (Mitte)
Maximale Übertragungsrate	200 Punkte/s
Druckstufen	1024 Stufen
Kommunikationsschnittstelle	USB

#### Andere

Sicherheitssteckplatz	1
-----------------------	---

### STU-530

#### Allgemeine Spezifikationen

Modell/Marke	STU-530
Maße (B x T x H)	161,43 x 174,37 x 10,85 mm
Gewicht	Hauptteil: ca. 0,289 kg
Betriebstemperatur und Luftfeuchtigkeit	5 bis 40 °C, relative Luftfeuchtigkeit: 30 bis 80 % (nicht kondensierend)
Lagertemperatur und Luftfeuchtigkeit	-20 bis 60 °C, relative Luftfeuchtigkeit: 30 % bis 90 % (nicht kondensierend)
Schnittstellenkabel	USB Typ A zu USB mini-B
Stromverbrauch	2,5 W-Maximum

#### Display

Display	Amorphous-TFT-LCD
Bildschirmgröße	5,0 Zoll (108,0 x 64,8 mm)
Anzahl der Pixel	800 x 480, WVGA
Punktabstand	0,135 (H) x 0,135 (V) mm
LCD-Qualität	Jedes einzelne LCD-Display wird unter Einhaltung strenger Qualitätsstandards hergestellt. Herstellungsbedingt kann kein absolut perfektes TFT-Display garantiert werden. Wacom lässt nicht zu, dass ein einziges Pixel nur weiß ist. Eine geringe Anzahl von Pixeln darf für bestimmte Teile des Farbspektrums jedoch eine falsche Farbe aufweisen. Dies bedeutet nicht, dass die Anzeige fehlerhaft ist.

#### Stifttablett

Lesetechnologie	Elektromagnetische Resonanztechnologie
Aktiver Bereich	108,0 x 64,8 mm
Auflösung	2540 lpi oder 0,01 mm/pt

DE

DE

Präzision	±0,5 mm (Mitte), Randbereich 1 (20 mm vom Rand des Anzeigebereichs): ±2,0 mm, Randbereich 2 (3 mm vom Rand des Anzeigebereichs): ±4,0 mm
Lesehöhe	5 mm oder mehr (Mitte)
Maximale Übertragungsrate	200 Punkte/s
Druckstufen	1024 Stufen
Kommunikationsschnittstelle	USB

### Andere

Sicherheitssteckplatz	1
-----------------------	---

### Stift UP-610-89A-1

Physische Größe (L x T)	140,5 * 9,0 mm (5,53 * 0,35 Zoll)
Gewicht	ca. 7 g
Beweglichkeit der Stiftspitze	ca. 0,2 mm

## Garantien

### Beschränkte Garantie (USA und Kanada)

Wacom versichert dem Endkunden, dass dieses Produkt, mit Ausnahme der Software und Verbrauchsmaterialien wie z. B. Batterie, Patronen, Tablett-Overlay und Stiftspitzen, frei von jeglichen Material- und Verarbeitungsfehlern ist. Eine Garantie von drei (3) Jahren, gerechnet ab Kaufdatum, wird unter folgenden Bedingungen gewährt: Das Produkt wird ordnungsgemäß genutzt und gewartet, befindet sich im Besitz des ursprünglichen Käufers (durch Vorlage der Rechnung zu bestätigen), und die Registrierungskarte wurde innerhalb von 30 Tagen ab Kaufdatum an Wacom zurückgesandt.

Die Software wird „wie besehen“ lizenziert. Wacom übernimmt keine Garantie für die Qualität und Leistung der Software. Ebenso wenig kann Wacom einen störungsfreien Betrieb oder die Behebung eventuell auftretender Fehler garantieren.

Sollte das Produkt (mit Ausnahme der Software) innerhalb der Garantiezeit technische Defekte aufweisen, benachrichtigen Sie umgehend den technischen Kundendienst von Wacom per Telefon, E-Mail oder Fax. Sie erhalten eine RMA-Nummer (Return Merchandise Authorization – Rücksende-Berechtigungsnummer) sowie Anweisungen zum Versenden des Gerätes an die von Wacom angegebene Service-Werkstatt. Das Produkt muss frachtfrei an die angegebene Service-Niederlassung unter Angabe der RMA-Nummer, Ihres Namens, Ihrer Adresse und Telefonnummer und mit einem Beleg für das Kaufdatum sowie einer Beschreibung des Fehlers geschickt werden. Wacom übernimmt die Frachtkosten für die Rücksendung durch UPS oder einen anderen Paketdienst eigener Wahl.

Wacom verpflichtet sich unter dieser Garantie nur dazu, das Produkt oder Teile davon, das bzw. die erwiesene Mängel besitzen, nach eigenem Ermessen entweder zu reparieren oder zu ersetzen unter der Voraussetzung, dass Sie (a) für die Transportkosten des Produktes an die angegebene Service-Niederlassung und (b) für einen eventuellen Verlust oder eine Beschädigung des Produktes haften.

Wacom ist nicht verpflichtet, das Produkt zu reparieren oder zu ersetzen, wenn das Versagen des Produktes auf Unfall, Missbrauch, falsche Benutzung, Nachlässigkeit oder unerlaubter Änderung oder Reparatur zurückzuführen ist oder das Produkt nicht gemäß den Anweisungen von Wacom behandelt oder aufbewahrt wurde.

Jegliche Beschreibungen, Zeichnungen, Spezifikationen, Muster, Modelle, Mitteilungen oder ähnliches Material, die im Zusammenhang mit dem Verkauf des Produktes herausgegeben werden, können nicht als ausdrückliche Garantie ausgelegt werden, dass das Produkt den Anforderungen des Kunden entspricht oder sie erfüllt.

MIT AUSNAHME DER OBEN BESCHRIEBENEN BESCHRÄNKTEN GARANTIE ÜBERNIMMT WACOM KEINE WEITEREN GARANTIE FÜR DAS PRODUKT. KEINE MÜNDLICH ODER SCHRIFTLICH ERTEILTE INFORMATIONEN ODER BERATUNG DURCH WACOM, SEINE VERTRAGSHÄNDLER, GENERALVERTRETER, HANDELSVERTRETER ODER MITARBEITER STELLEN EINE GARANTIE DAR ODER ERWEITERN DEN UMFANG DER VORLIEGENDEN GARANTIEERKLÄRUNG: FÜR DERARTIGE INFORMATIONEN UND BERATUNG WIRD KEINE HAFTUNG ÜBERNOMMEN.

MIT DIESER GARANTIE ERHALTEN SIE BESTIMMTE RECHTE. ZUDEM ERHALTEN SIE BESTIMMTE RECHTE VOR DEM GESETZ, DIE SICH NACH DEM JEWEILIGEN ERWERBSLAND RICHTEN.

WACOM BESCHRÄNKT DIE DAUER EINER GESETZLICHEN STILLSCHWEIGENDEN GEWÄHRLEISTUNGSPFLICHT EINSCHLIESSLICH EINER STILLSCHWEIGENDEN GARANTIE FÜR MARKTFÄHIGKEIT ODER EIGNUNG FÜR EINEN BESTIMMTEN ZWECK AUF DIE DAUER DER AUSDRÜCKLICH VON WACOM AUSGESPROCHENEN GARANTIE. IN EINIGEN STAATEN IST DIE BESCHRÄNKUNG DER DAUER EINER GESETZLICHEN GEWÄHRLEISTUNGSPFLICHT NICHT ZULÄSSIG. DESHALB GILT DIE OBIGE BESCHRÄNKUNG FÜR SIE MÖGLICHERWEISE NICHT.

IN KEINEM FALL HAFTEN WACOM ODER ANDERE AN DER ENTWICKLUNG, PRODUKTION ODER LIEFERUNG DIESES PRODUKTES BETEILIGTEN PERSONEN FÜR JEDLICHE DIREKTE ODER FÜR FOLGE- UND MITTELBARE SCHÄDEN (EINSCHLIESSLICH VERLUSTEN AUS ENTGANGENEM GEWINN, BETRIEBSUNTERBRECHUNG, VERLUST VON GESCHÄFTSDATEN UND ÄHNLICHEM), DIE AUFGRUND DER NUTZUNG ODER UNSACHGEMÄSSEN NUTZUNG DIESES PRODUKTES ENTSTANDEN SIND, SELBST WENN WACOM DIE MÖGLICHKEIT SOLCHER SCHÄDEN BEKANNT WAR. IN EINIGEN LÄNDERN IST DER AUSSCHLUSS ODER DIE BESCHRÄNKUNG EINER HAFTUNG FÜR BEILÄUFIG ENTSTANDENE SCHÄDEN ODER FOLGESCHÄDEN NICHT ZULÄSSIG. DESHALB BESITZT DIE OBIGE BESCHRÄNKUNG BZW. DER OBIGE AUSSCHLUSS FÜR SIE UNTER UMSTÄNDEN KEINE GÜLTIGKEIT.

Wenn irgendwelche der vorstehend genannten Einschränkungen nicht durchsetzbar sind, beschränkt sich die Haftung von Wacom für Schäden des Anwenders oder Dritter unabhängig von der Art des Anspruchs maximal auf den von Ihnen bezahlten Kaufpreis.

Diese beschränkte Garantie unterliegt den Gesetzen der Vereinigten Staaten von Amerika und des Bundesstaates Washington.

Diese beschränkte Garantie ist nur für Produkte gültig, die innerhalb der Vereinigten Staaten (und den Territorien oder angeschlossenen Gebieten) oder Kanada erworben und benutzt wurden, und ist nur für diese rechtsgültig.

## Garantieleistungen

Für Garantieleistungen innerhalb der USA und Kanada wenden Sie sich an:

Wacom Kundendienstzentrale

Telefon: +1 360 896 9833

E-Mail-Anfrageformular: <http://www.wacom.com/productsupport/email.cfm>

Sollten Sie Fragen zu dieser Vereinbarung haben oder aus anderen Gründen mit Wacom Kontakt aufnehmen wollen, wenden Sie sich bitte schriftlich an uns:

Wacom Technology Corporation

1311 SE Cardinal Court  
Vancouver, Washington 98683  
USA.

## Beschränkte Garantie (Mittelamerika, Südamerika und Karibik)

Wacom versichert dem Endkunden, dass dieses Produkt, mit Ausnahme der Software und Verbrauchsmaterialien wie z. B. Batterie, Patronen, Tablett-Overlay und Stiftspitzen, frei von jeglichen Material- und Verarbeitungsfehlern ist. Eine Garantie von drei (3) Jahren, gerechnet ab Kaufdatum, wird unter folgenden Bedingungen gewährt: Das Produkt wird ordnungsgemäß genutzt und gewartet, befindet sich im Besitz des ursprünglichen Käufers (durch Vorlage der Rechnung zu bestätigen), und die Registrierungskarte wurde innerhalb von 30 Tagen ab Kaufdatum an Wacom zurückgesandt.

Die Software wird „wie besehen“ lizenziert. Wacom übernimmt keine Garantie für die Qualität und Leistung der Software. Ebenso wenig kann Wacom einen störungsfreien Betrieb oder die Behebung eventuell auftretender Fehler garantieren.

Sollte das Produkt (mit Ausnahme der Software) innerhalb der Garantiezeit technische Defekte aufweisen, benachrichtigen Sie umgehend den technischen Kundendienst von Wacom per Telefon, E-Mail oder Fax. Sie erhalten eine RMA-Nummer (Return Merchandise Authorization – Rücksende-Berechtigungsnummer) sowie Anweisungen zum Versenden des Gerätes an die von Wacom angegebene Service-Werkstatt. Das Produkt muss frachtfrei an die angegebene Service-Niederlassung unter Angabe der RMA-Nummer, Ihres Namens, Ihrer Adresse und Telefonnummer und mit einem Beleg für das Kaufdatum sowie einer Beschreibung des Fehlers geschickt werden. Wacom übernimmt die Frachtkosten für die Rücksendung durch UPS oder einen anderen Paketdienst eigener Wahl.

Wacom verpflichtet sich unter dieser Garantie nur dazu, das Produkt oder Teile davon, das bzw. die erwiesene Mängel besitzen, nach eigenem Ermessen entweder zu reparieren oder zu ersetzen unter der Voraussetzung, dass Sie (a) für die Transportkosten des Produktes an die angegebene Service-Niederlassung und (b) für einen eventuellen Verlust oder eine Beschädigung des Produktes haften.

Wacom ist nicht verpflichtet, das Produkt zu reparieren oder zu ersetzen, wenn das Versagen des Produktes auf Unfall, Missbrauch, falsche Benutzung, Nachlässigkeit oder unerlaubter Änderung oder Reparatur zurückzuführen ist oder das Produkt nicht gemäß den Anweisungen von Wacom behandelt oder aufbewahrt wurde.

Jegliche Beschreibungen, Zeichnungen, Spezifikationen, Muster, Modelle, Mitteilungen oder ähnliches Material, die im Zusammenhang mit dem Verkauf des Produktes herausgegeben werden, können nicht als ausdrückliche Garantie ausgelegt werden, dass das Produkt den Anforderungen des Kunden entspricht oder sie erfüllt.

MIT AUSNAHME DER OBEN BESCHRIEBENEN BESCHRÄNKTEN GARANTIE ÜBERNIMMT WACOM KEINE WEITEREN GARANTIE FÜR DAS PRODUKT. KEINE MÜNDLICH ODER SCHRIFTLICH ERTEILTE INFORMATIONEN ODER BERATUNG DURCH WACOM, SEINE VERTRAGSHÄNDLER, GENERALVERTRETER, HANDELSVERTRETER ODER MITARBEITER STELLEN EINE GARANTIE DAR ODER ERWEITERN DEN UMFANG DER VORLIEGENDEN GARANTIEERKLÄRUNG: FÜR DERARTIGE INFORMATIONEN UND BERATUNG WIRD KEINE HAFTUNG ÜBERNOMMEN.

MIT DIESER GARANTIE ERHALTEN SIE BESTIMMTE RECHTE. ZUDEM ERHALTEN SIE BESTIMMTE RECHTE VOR DEM GESETZ, DIE SICH NACH DEM JEWEILIGEN ERWERBSLAND RICHTEN.

DE

WACOM BESCHRÄNKT DIE DAUER EINER GESETZLICHEN STILLSCHWEIGENDEN GEWÄHRLEISTUNGSPFLICHT EINSCHLIESSLICH EINER STILLSCHWEIGENDEN GARANTIE FÜR MARKTFÄHIGKEIT ODER EIGNUNG FÜR EINEN BESTIMMTEN ZWECK AUF DIE DAUER DER AUSDRÜCKLICH VON WACOM AUSGESPROCHENEN GARANTIE. IN EINIGEN LÄNDERN IST DIE BESCHRÄNKUNG DER DAUER EINER GESETZLICHEN GEWÄHRLEISTUNGSPFLICHT NICHT ZULÄSSIG. DESHALB GILT DIE OBIGE BESCHRÄNKUNG FÜR SIE MÖGLICHERWEISE NICHT.

IN KEINEM FALL HAFTEN WACOM ODER ANDERE AN DER ENTWICKLUNG, PRODUKTION ODER LIEFERUNG DIESES PRODUKTES BETEILIGTEN PERSONEN FÜR JEDLICHE DIREKTE ODER FÜR FOLGE- UND MITTELBARE SCHÄDEN (EINSCHLIESSLICH VERLUSTEN AUS ENTGANGENEM GEWINN, BETRIEBSUNTERBRECHUNG, VERLUST VON GESCHÄFTSDATEN UND ÄHNLICHEM), DIE AUFGRUND DER NUTZUNG ODER UNSACHGEMÄSSEN NUTZUNG DIESES PRODUKTES ENTSTANDEN SIND, SELBST WENN WACOM DIE MÖGLICHKEIT SOLCHER SCHÄDEN BEKANNT WAR. IN EINIGEN LÄNDERN IST DER AUSSCHLUSS ODER DIE BESCHRÄNKUNG EINER HAFTUNG FÜR BEILÄUFIG ENTSTANDENE SCHÄDEN ODER FOLGESCHÄDEN NICHT ZULÄSSIG. DESHALB BESITZT DIE OBIGE BESCHRÄNKUNG BZW. DER OBIGE AUSSCHLUSS FÜR SIE UNTER UMSTÄNDEN KEINE GÜLTIGKEIT.

Wenn irgendwelche der vorstehend genannten Einschränkungen nicht durchsetzbar sind, beschränkt sich die Haftung von Wacom für Schäden des Anwenders oder Dritter unabhängig von der Art des Anspruchs maximal auf den von Ihnen bezahlten Kaufpreis.

Diese beschränkte Garantie unterliegt den Gesetzen der Vereinigten Staaten von Amerika und des Bundesstaates Washington.

Diese beschränkte Garantie ist nur für Produkte gültig, die innerhalb Mittelamerikas, Südamerikas oder der Karibik erworben und benutzt wurden und ist nur für diese rechtsgültig.

## Garantieleistungen

Für Garantieleistungen innerhalb Mittelamerikas, Südamerikas oder der Karibik wenden Sie sich an Ihren Fachhändler oder Vertriebspartner vor Ort.

Wacom Kundendienstzentrale

Spanisch: <http://www.wacom.com/sp/productsupport/email.cfm>

Portugiesisch: <http://www.wacom.com/pr/productsupport/email.cfm>

Sollten Sie Fragen zu dieser Vereinbarung haben oder aus anderen Gründen mit Wacom Kontakt aufnehmen wollen, wenden Sie sich bitte schriftlich an uns:

Wacom Technology Corporation  
1311 SE Cardinal Court  
Vancouver, Washington 98683  
USA.

## Beschränkte Garantie (Europa, Afrika und Naher Osten)

Wacom garantiert Ihnen als Erstkäufer („Sie“ oder „der Kunde“), dass die Produkthardware bei normaler Nutzung und Wartung für einen Garantiezeitraum von DREI (3) JAHREN

ab Verkaufsdatum frei von Material- und Verarbeitungsfehlern ist, vorausgesetzt, dass sie zum Zeitpunkt des Kaufes unbenutzt war. Defekte an Verschleißteilen (z. B. Stiftspitzen, Tablettoberflächen und Batterien), die auf normalen Verschleiß zurückzuführen sind, sind von der Garantie ausgenommen. WACOM übernimmt darüber hinaus für einen Zeitraum von SECHS (6) MONATEN ab Kaufdatum die Garantie, dass die mitgelieferten Datenträger bei normaler Nutzung frei von Material- und Verarbeitungsfehlern sind.

Wird innerhalb des Garantiezeitraums am Produkt – ausgenommen der Software – ein Fehler festgestellt, muss es unverzüglich in der Originalverpackung zusammen mit Ihrem Namen, Ihrer Anschrift, Telefonnummer, einer Beschreibung des Problems und einer Kopie der Originalrechnung an den ursprünglichen Erwerbort zurückgesendet werden. Für einen eventuellen Verlust oder eine Beschädigung des Produktes während des Transportes zum Erwerbort haftet der Kunde.

Wacom verpflichtet sich unter dieser Garantie nur dazu, das defekte Produkt oder Teile davon bei erwiesenen Mängeln und Einsendung innerhalb des Garantiezeitraumes nach eigenem Ermessen entweder zu reparieren oder zu ersetzen.

WACOM verpflichtet sich nicht, das Produkt zu reparieren oder zu ersetzen, wenn (a) der Schaden des Produktes auf Unfall, Missbrauch, unsachgemäße Benutzung, Nachlässigkeit oder unerlaubter Änderung oder Reparatur zurückzuführen ist oder (b) das Produkt nicht gemäß den Anweisungen von WACOM behandelt oder aufbewahrt wurde oder (c) der Schaden auf normale Abnutzung von Produktteilen zurückzuführen ist oder d) wenn die von WACOM angebrachte Seriennummer entfernt oder unkenntlich gemacht wurde.

Jegliche Beschreibungen, Zeichnungen, Spezifikationen, Muster, Modelle, Mitteilungen oder ähnliches Material, die im Zusammenhang mit dem Verkauf des Produktes herausgegeben werden, können nicht als ausdrückliche Garantie ausgelegt werden, dass das Produkt Ihren Anforderungen entspricht oder sie erfüllt.

Die gesetzlich garantierte Haftung bleibt davon unberührt. Sie können gemäß den geltenden rechtlichen Vorschriften Mängel am Produkt beanstanden.

WACOM haftet für sich selbst und seine Erfüllungsgehilfen nur, wenn eine wesentliche Vertragspflicht schuldhaft verletzt wurde, sodass die Erreichung des Vertragszwecks gefährdet wird oder der Schaden auf Vorsatz oder grobe Fahrlässigkeit zurückzuführen ist. Eine wesentliche Vertragspflicht ist eine Verpflichtung, die für die ordnungsgemäße Ausführung des Vertrags, auf die sich die andere Partei üblicherweise verlässt, erforderlich ist. Im Falle, dass die schuldhaft Verletzung einer solchen wesentlichen Vertragspflicht nicht auf Vorsatz oder grobe Fahrlässigkeit zurückzuführen ist, beschränkt sich die Haftung einer Partei auf diejenigen Schäden, die für den Vertrag üblich sind und die bei Abschluss des Vertrages realistischerweise vorhersehbar waren. Wo diese allgemeinen Bedingungen die Haftung ausschließen oder beschränken, gilt dies in gleichem Maße für die persönliche Haftung der Geschäftsführer der betreffenden Partei sowie deren Mitarbeiter, Vertreter und Subunternehmer. Die Vorschriften des Produkthaftungsgesetzes bleiben unberührt.

Stellt sich bei Prüfung eines unter dieser Garantie beanstandeten Mangels heraus, dass der Garantiezeitraum überschritten oder der Mangel nicht von der Garantie abgedeckt oder das Produkt gar nicht defekt ist, kommt der Kunde für die WACOM entstandenen Kosten auf.

Diese beschränkte Garantie gilt, wenn sich der Sitz des Verkäufers in der EU oder in Island, Norwegen, Jersey, der Schweiz, Russland, der Ukraine, Kroatien, Serbien, Tunesien, der Türkei, Syrien, Libanon, Jordanien, Israel, Ägypten, den Vereinigten Arabischen Emiraten, im Iran oder in Südafrika befindet. Diese Garantie unterliegt deutschem Recht. Die Anwendbarkeit der Konvention der Vereinten Nationen über Verträge für den Internationalen Verkauf von Waren (United Nations Convention on Contracts for the International Sale of Goods) wird allerdings explizit ausgeschlossen. Die Stadt Krefeld in Deutschland ist ausschließlicher Gerichtsstand für alle Ansprüche aufgrund dieses Vertragsverhältnisses sowie sämtliche sich zwischen den Parteien ergebenden Streitigkeiten über das Zustandekommen, die Abwicklung oder die Beendigung des Vertragsverhältnisses – soweit der Kunde Kaufmann, juristische Person des öffentlichen Rechts oder ein öffentlich-rechtliches Sondervermögen ist. Die Gerichtsstandsvereinbarung gilt auch für Kunden, die in Deutschland keinen allgemeinen Gerichtsstand haben. Sie gilt nicht, wenn für die Klage aufgrund von gesetzlichen Vorschriften zwingend ein anderer ausschließlicher Gerichtsstand begründet ist.

WACOM ist darüber hinaus berechtigt, am Hauptsitz des Kunden zu klagen.

Sollte eine der Bestimmungen dieser beschränkten Garantie ganz oder teilweise rechtsunwirksam sein oder werden, so wird die Gültigkeit der übrigen Bestimmungen dadurch nicht berührt. Sollte eine Bestimmung ungültig sein, gilt stattdessen die rechtlich zulässige Bestimmung, die der ungültigen am ähnlichsten ist. Sollten Sie Fragen zu dieser Vereinbarung haben oder aus anderen Gründen mit WACOM Kontakt aufnehmen wollen, wenden Sie sich bitte schriftlich an uns:

WACOM Europe GmbH  
Europark Fichtenhain A9  
47807 Krefeld  
DEUTSCHLAND

## Beschränkte Garantie (Südostasien)

Wacom Co., Ltd. garantiert dem ursprünglichen Käufer, dass das Produkt bei normaler Nutzung und Wartung frei von Material- und Verarbeitungsfehlern ist. Wacom gewährt eine Garantie von einem (1) Jahr ab Kaufdatum (durch Vorlage der Rechnung zu bestätigen).

Die Software wird „wie besehen“ lizenziert. Wacom übernimmt keine Garantie für die Qualität und Leistung oder andere Merkmale der Software. Ebenso wenig kann Wacom einen störungsfreien Betrieb oder die Behebung eventuell auftretender Fehler garantieren. Wacom übernimmt keine Garantie für Verbrauchsmaterialien wie z. B. Batterie, Stiftpatronen, Tablett-Overlays und Stiftspitzen.

Sollte das Produkt (mit Ausnahme der Software) innerhalb der Garantiezeit technische Defekte aufweisen, muss der Garantiennehmer den Erwerbort kontaktieren, um Anweisungen zur Rücksendung des Produkts zur Reparatur oder zum Austausch zu erhalten. Wacom und seine Partner sind nicht verpflichtet, für einen nicht autorisierten frachtfreien Versand aufzukommen.

Der Garantiennehmer ist nicht verpflichtet, für die Kosten des Versands zwischen Erwerbort und Reparatur- oder Austauschort aufzukommen.

Wacom verpflichtet sich unter dieser Garantie nur dazu, das Produkt oder Teile davon, das bzw. die erwiesene Mängel besitzen und worüber Wacom innerhalb des Garantiezeitraumes benachrichtigt wurde, nach eigenem Ermessen entweder zu reparieren oder zu ersetzen.

Wacom ist nicht verpflichtet, das Wacom Produkt zu reparieren oder zu ersetzen, wenn das Versagen des Produktes auf höhere Gewalt, einschließlich, aber nicht beschränkt auf Feuer, Naturkatastrophen, Unfälle und Naturereignisse, vorsätzlichen oder versehentlichen Missbrauch, falsche Benutzung, Nachlässigkeit, unerlaubte Änderung oder Reparatur zurückzuführen ist oder wenn dieses Produkt auf eine andere Art und Weise als im Benutzerhandbuch beschrieben verwendet oder nicht gemäß den Anweisungen von Wacom behandelt oder aufbewahrt wurde.

Jegliche Beschreibungen, Zeichnungen, Spezifikationen, Muster, Modelle, Mitteilungen oder ähnliches Material, die im Zusammenhang mit dem Verkauf des Produktes herausgegeben werden, können nicht als ausdrückliche Garantie ausgelegt werden, dass das Produkt den Anforderungen des Kunden entspricht oder sie erfüllt.

MIT AUSNAHME DER OBEN BESCHRIEBENEN BESCHRÄNKTEN GARANTIE ÜBERNIMMT WACOM KEINE WEITEREN GARANTIE FÜR DAS PRODUKT. KEINE MÜNDLICH ODER SCHRIFTLICH ERTEILTE INFORMATIONEN ODER BERATUNG DURCH WACOM, SEINE VERTRAGSHÄNDLER, GENERALVERTRETER, HANDELSVERTRETER ODER MITARBEITER STELLEN EINE GARANTIE DAR ODER ERWEITERN DEN UMFANG DER VORLIEGENDEN GARANTIEERKLÄRUNG: FÜR DERARTIGE INFORMATIONEN UND BERATUNG WIRD KEINE HAFTUNG ÜBERNOMMEN. MIT DIESER GARANTIE ERHALTEN SIE BESTIMMTE RECHTE. ZUDEM ERHALTEN SIE BESTIMMTE RECHTE VOR DEM GESETZ, DIE SICH NACH DEM JEWEILIGEN ERWERBSLAND RICHTEN.

WACOM BESCHRÄNKT DIE DAUER EINER GESETZLICHEN STILLSCHWEIGENDEN GEWÄHRLEISTUNGSPFLICHT EINSCHLIESSLICH EINER STILLSCHWEIGENDEN GARANTIE FÜR MARKTFÄHIGKEIT ODER EIGNUNG FÜR EINEN BESTIMMTEN ZWECK AUF DIE DAUER DER AUSDRÜCKLICH VON WACOM AUSGESPROCHENEN GARANTIE.

IN EINIGEN LÄNDERN IST DIE BESCHRÄNKUNG DER DAUER EINER GESETZLICHEN GEWÄHRLEISTUNGSPFLICHT NICHT ZULÄSSIG. DESHALB GILT DIE OBIGE BESCHRÄNKUNG FÜR SIE MÖGLICHERWEISE NICHT.

IN KEINEM FALL HAFTEN WACOM ODER ANDERE AN DER ENTWICKLUNG, PRODUKTION ODER LIEFERUNG DIESES PRODUKTES BETEILIGTEN PERSONEN FÜR JEGLICHE DIREKTE ODER FÜR FOLGE- UND MITTELBARE SCHÄDEN (EINSCHLIESSLICH VERLUSTEN AUS ENTGANGENEM GEWINN, BETRIEBSUNTERBRECHUNG, VERLUST VON GESCHÄFTSDATEN UND ÄHNLICHEM), DIE AUFGRUND DER NUTZUNG ODER UNSACHGEMÄSSEN NUTZUNG DIESES PRODUKTES ENTSTANDEN SIND, SELBST WENN WACOM DIE MÖGLICHKEIT SOLCHER SCHÄDEN BEKANNT WAR. IN EINIGEN LÄNDERN IST DER AUSSCHLUSS ODER DIE BESCHRÄNKUNG EINER HAFTUNG FÜR BEILÄUFIG ENTSTANDENE SCHÄDEN ODER FOLGESCHÄDEN NICHT ZULÄSSIG. DESHALB BESITZT DIE OBIGE BESCHRÄNKUNG BZW. DER OBIGE AUSSCHLUSS FÜR SIE UNTER UMSTÄNDEN KEINE GÜLTIGKEIT.

Wenn irgendwelche der vorstehend genannten Einschränkungen nicht durchsetzbar sind, beschränkt sich die Haftung von Wacom für Schäden des Anwenders oder Dritter unabhängig von der Art des Anspruchs maximal auf den vom Anwender bezahlten Kaufpreis.

DE

DE

Diese beschränkte Garantie ist nur für Produkte gültig, die innerhalb der Länder und Territorien von Südostasien, außer Japan, der Volksrepublik China, Hongkong und Ländern des Nahen Ostens, erworben und verwendet wurden, und ist nur für diese Länder rechtsgültig.

Diese beschränkte Garantie ist eine Erklärung der aktuellen Garantiebedingungen der Asia Pacific Division von Wacom Co., Ltd. und hat Vorrang vor allen anderen in Verpackung, Broschüren, Handbüchern usw. enthaltenen Garantieerklärungen.

Diese beschränkte Garantie unterliegt japanischem Recht und kann ohne vorherige Mitteilung geändert werden.

**Australisches Verbraucherrecht:** Für unsere Artikel werden Garantien gewährt, die nicht unter australischem Verbraucherrecht ausgeschlossen werden können. Ihnen stehen für schwere Fehler ein Ersatz oder eine Erstattung und für alle anderen realistischere vorhersehbare Verluste oder Schäden eine entsprechende Entschädigung zu. Darüber hinaus stehen Ihnen eine Reparatur oder ein Austausch der Artikel zu, wenn diese keine akzeptable Qualität aufweisen und es sich nicht um einen schweren Fehler handelt. Für unsere Hardwareprodukte wird eine Garantie von einem (1) Jahr gewährt. Diese Gewähr erfolgt durch Wacom Co., Ltd. und seine Tochtergesellschaft Wacom Australia Pty. Ltd. Ground floor, Building 1,3 Richardson Place, North Ryde, NSW, 2113 Australien. Wenn Ihre Produkte die in der Benutzerdokumentation beschriebenen allgemeinen Funktionen innerhalb des Garantiezeitraums von einem (1) Jahr nach Lieferung an Sie nicht leisten, kontaktieren Sie Wacom Australia Pty. Ltd. telefonisch unter +61-29422-6700 und geben Sie Details zu Ihrem Produkt, Seriennummer und Kaufnachweis an. Unter Umständen müssen Sie das Produkt zu Ihren Kosten an die von uns angegebene Adresse zurücksenden. Die Vorteile dieser Garantie gelten zusätzlich zu allen anderen Rechten, die Ihnen kraft Gesetzes zustehen.

**Garantieleistungen/Wacom Kundendienst in Südostasien (außer Japan, Volksrepublik China, Hongkong und Länder im Nahen Osten)** Nähere Bestimmungen zu beschränkter Garantie und Produktregistrierung für Südostasien finden Sie im Internet unter <http://www.wacom.asia/customer-care>

Um technischen Support und Garantieleistungen in Südost- und Südasien, Ozeanien und Taiwan zu erhalten, wenden Sie sich an den Wacom-Kundendienst. Telefonnummern finden Sie hier:

<http://wacom-wapcc.com/inquiry/create>

Sollten Sie Fragen zu dieser Vereinbarung haben oder aus anderen Gründen mit Wacom Kontakt aufnehmen wollen, wenden Sie sich bitte über die folgende Website an uns:

<http://wacom-wapcc.com/inquiry/create>

## INFORMATIONEN ZU ENTSORGUNG UND RECYCLING

### ROHS DER EU

Wacom Produkte entsprechen der Richtlinie 2002/95/EC zur Beschränkung der Verwendung bestimmter gefährlicher Stoffe in Elektro- und Elektronikgeräten.

### INFORMATIONEN DER EU ZUR ENTSORGUNG VON ALTGERÄTEN (WEEE-RICHTLINIE)



Wiederverwendung, Recycling und Reparatur. Wenn Sie das Gerät durch ein neueres ersetzen oder die Nutzungsdauer des Geräts abgelaufen ist, sollten Sie das Produkt bei einer Recycling-Sammelstelle in Ihrer Nähe abgeben.

Sie leisten dadurch einen aktiven Beitrag zum Umweltschutz in Ihrer Gemeinde und tragen dazu bei, dass keinerlei in dem Gerät vorhandene Schadstoffe bei der Entsorgung in die Umwelt gelangen.

Gemäß EU-Richtlinie 2002/96/EC (WEEE), die am 27. Januar 2003 vom Europäischen Parlament und vom Europarat erlassen wurde, und laut Vorschriften in den einzelnen Mitgliedsstaaten ist die Entsorgung von Elektro- und Elektronikschrott im normalen Hausmüll untersagt. Produkte, auf die diese Richtlinie zutrifft, sind mit dem Symbol zur Kennzeichnung von Elektro- und Elektronikgeräten am Anfang dieses Hinweises versehen, es sei denn, diese Kennzeichnung ist aufgrund des Formats oder der Funktion des Produkts nicht möglich.

Wacom-Produkte unterliegen der Richtlinie 2002/96/EC. Die Geräte sollten daher stets getrennt gesammelt und der entsprechenden Entsorgungsstelle in Ihrer Region oder Gemeinde zugeführt werden.

## KONFORMITÄTSERKLÄRUNGEN

## CE-ERKLÄRUNG

Die Wacom Produkte (STU-430 und STU-530) entsprechen der bzw. den folgende(n) Richtlinie(n):

EMV-Richtlinie 2004/108/EG

Welche harmonisierten europäischen Normen und Tests zur Bewertung der Produkte für diese Erklärung verwendet wurden, können Sie auf der Wacom Website (<http://www.wacom.eu/certificates>) nachlesen.

Basierend auf den Testergebnissen erklärt Wacom, dass die oben erwähnten Produkte mit dieser Richtlinie übereinstimmen, und weist mit dem CE-Zeichen darauf hin.

Die Produkte sind stets entsprechend den in den Wichtigen Produktinformationen (diesem Dokument) und im Benutzerhandbuch enthaltenen Anweisungen zu installieren und zu betreiben.

Alle Veränderungen, die an diesem Gerät vorgenommen werden und nicht direkt von Wacom autorisiert sind, machen diese Erklärung ungültig.

DE

## Belangrijke informatie

De volgende publicatie biedt help- en ondersteuningsinformatie voor het product.

NL

Help- en ondersteuningsinformatie Omschrijving

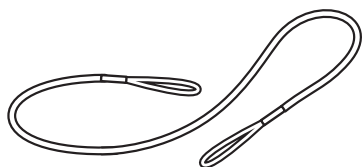
Snelgids (deze gids)

Geeft een algemeen overzicht van de STU-430 en de STU-530. Deze gids biedt informatie over de aansluiting en het gebruik van het product. Het bevat ook voorzorgsmaatregelen, productspecificaties en andere belangrijke informatie. Lees deze informatie goed door voor gebruik.

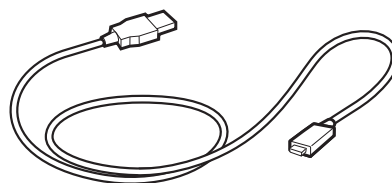


## Meegeleverde accessoires

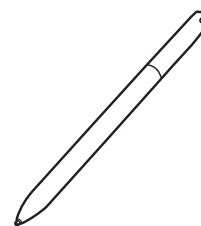
NL



Pensnoer



USB-kabel (3 m)



Pen

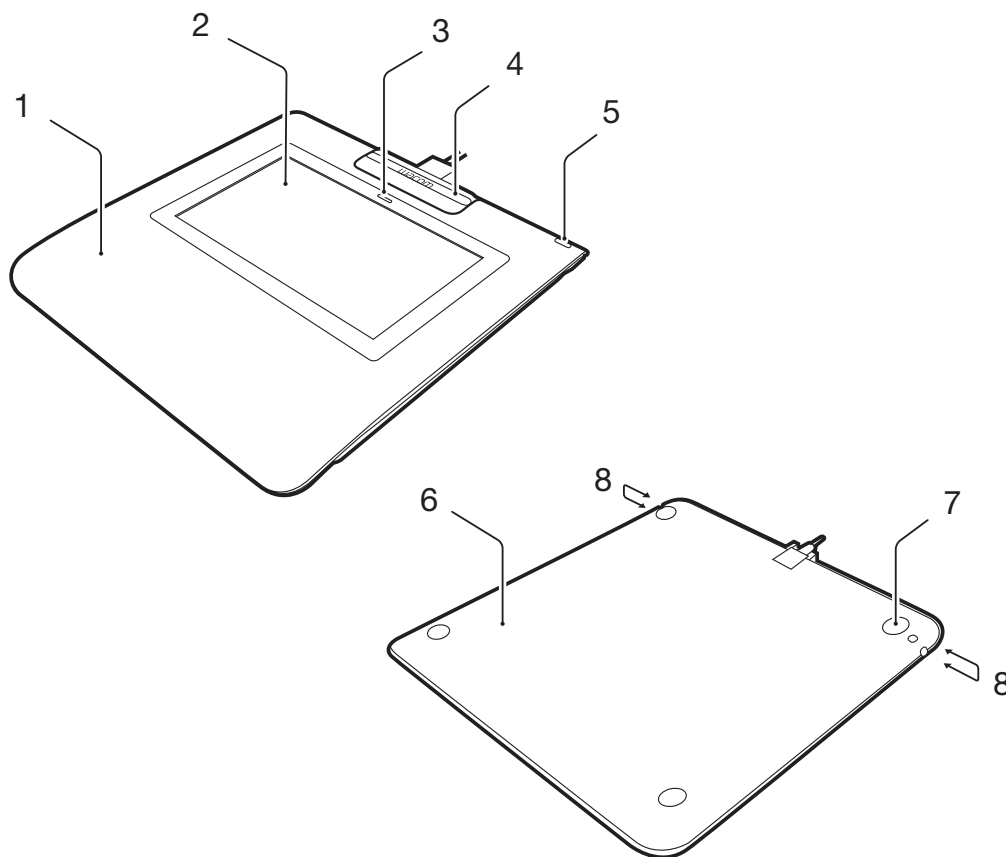


Snelgids

## Kennismaken met het product

NL

1. Voorkant behuizing
2. Ondertekeninggebied
3. LED
4. Penhouder
5. Sleuf voor veiligheidsslot
6. Achterkant behuizing
7. Voetjes
8. Aansluiting voor pensnoer

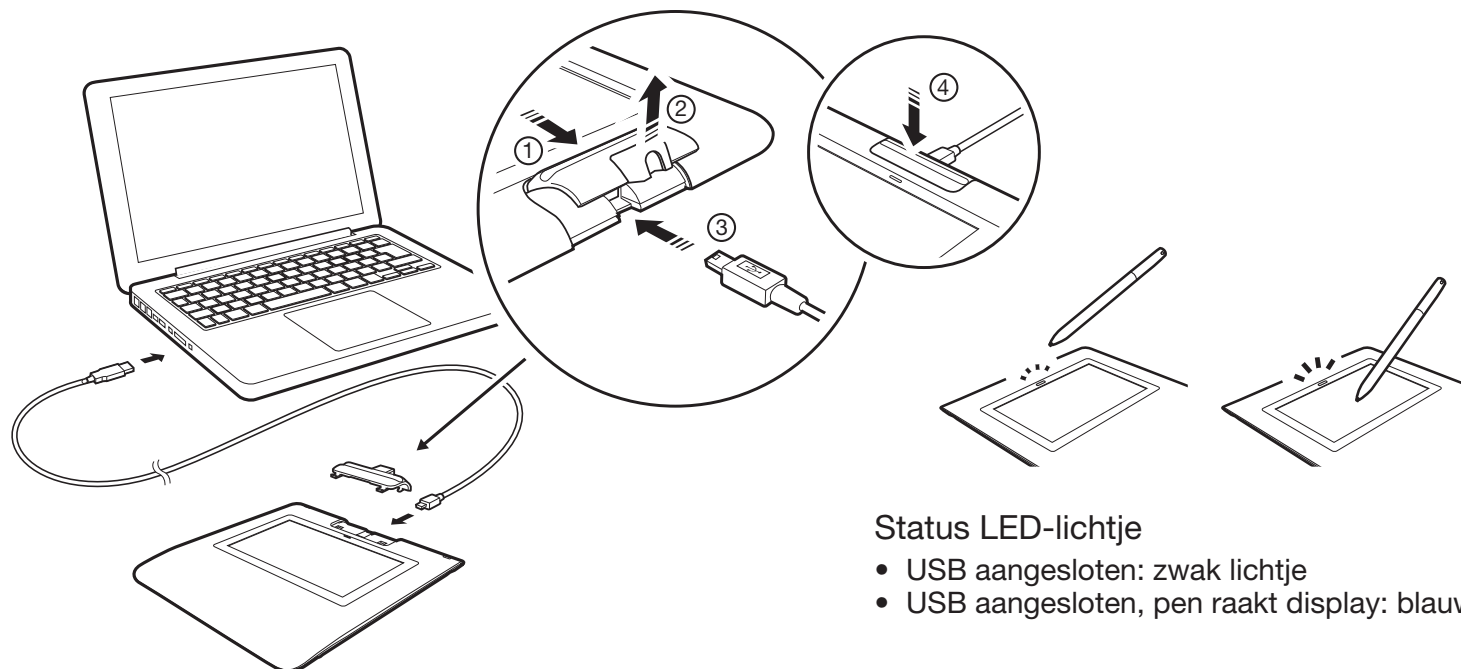


## Het product aansluiten op uw computer

1. Zet je computer uit.
2. Sluit de USB-connector aan op een beschikbare USB-poort van de computer.

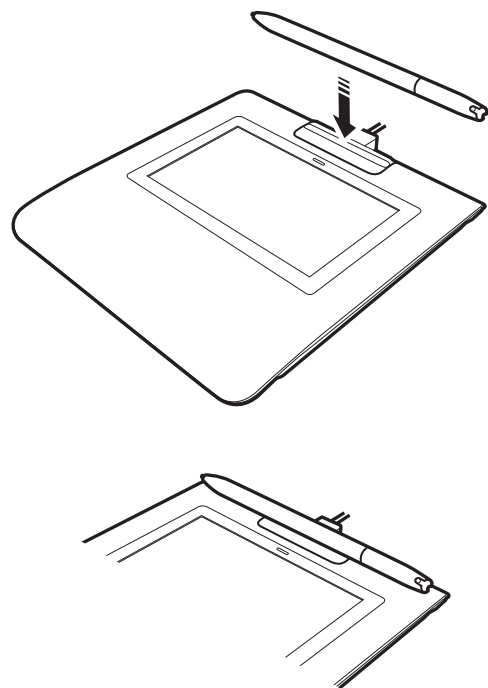
Voordat u de USB-kabel aansluit op de signature-pad, dient u de penhouder te verwijderen om de connector zichtbaar te maken. Dit doet u door de penhouder naar de bovenrand van de signature-pad te schuiven en deze op te tillen. Als u de USB-kabel eenmaal hebt aangesloten, kunt u de penhouder weer op zijn plaats vergrendelen. (De penhouder is ontworpen om de USB-kabel op zijn plaats te houden en om te voorkomen dat deze per ongeluk wordt losgekoppeld.)

NL

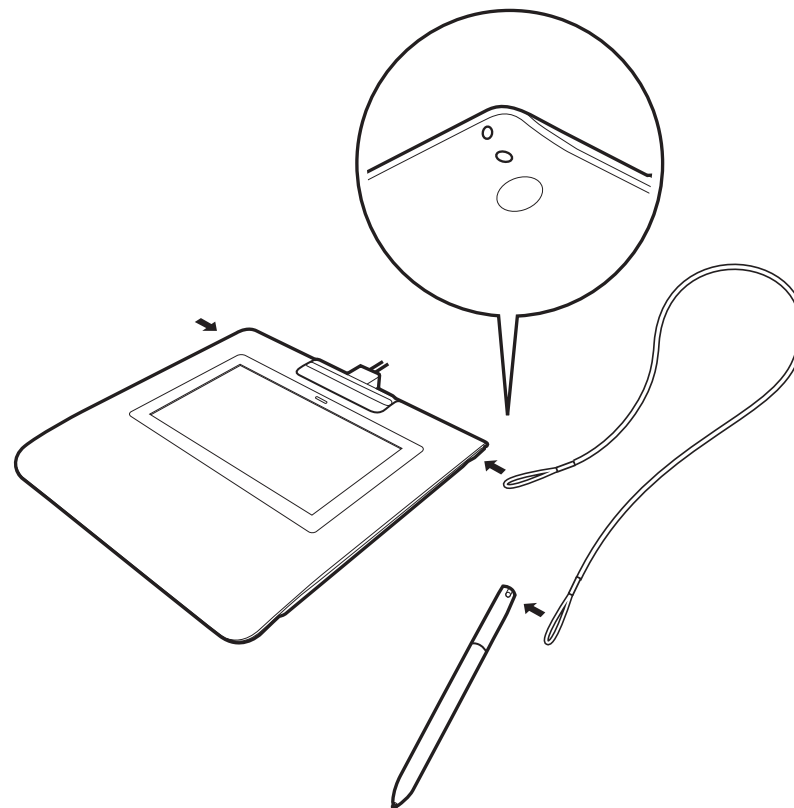


## Penhouder en pensnoer

NL



## Aansluiting voor pensnoer



## Het product registreren

voor Europa

Ga naar [www.wacom.eu/register](http://www.wacom.eu/register)

## Ondersteuningsopties

voor Europa

Kijk in de Gebruikershandleiding bij Probleemoplossing of ga naar [www.wacom.eu](http://www.wacom.eu)

Technische ondersteuning is beschikbaar van maandag tot vrijdag 9:00 - 18:00 (CET).

Raadpleeg [www.wacom.eu/contact](http://www.wacom.eu/contact) voor de contactgegevens van de technische ondersteuningsdienst voor uw land.

NL

## Voorzorgsmaatregelen

Volg alle instructies, voorzorgsmaatregelen en waarschuwingen in deze handleiding. Als u dit niet doet, kan er gegevensverlies optreden of kan uw computer beschadigd raken. Hierdoor kan ook het recht op garantie vervallen. In dat geval is Wacom niet verplicht het product te vervangen of te repareren.

### Waarschuwing

Gebruik uw product niet in een controlecentrum met gevoelige apparatuur; het kan storingen veroorzaken in andere elektronische apparaten of andere apparaten kunnen storingen veroorzaken in uw product. Als het gebruik niet is toegestaan, schakelt u het product uit ter voorkoming van het veroorzaken van storingen in andere elektronische apparaten. Wacom aanvaardt geen enkele aansprakelijkheid voor directe schade of gevolgschade.

Hoog voltage. Open of demonteer het product niet. U loopt het risico van een elektrische schok wanneer de behuizing geopend is. Uw garantie vervalt dan en Wacom is dan niet verplicht om het product te vervangen of te repareren.

Als het LCD-scherm beschadigd is, moet u de vloeistof die hier eventueel uit lekt NIET aanraken. Deze vloeistof is een irriterend middel. Wanneer deze vloeistof in aanraking is gekomen met huid, ogen of mond, moet u deze onmiddellijk gedurende minimaal 15 minuten afspoelen met stromend water. Als er contact is geweest met de ogen of de mond, moet u ook een arts raadplegen.

Let erop dat kinderen de penpunt niet in de mond nemen. De penpunt kan onbedoeld naar buiten worden getrokken als kinderen erop bijten.

### Opgelet

Gebruik of bewaar dit product niet op een plek waar:

- De temperatuur sterk wisselt of de specificaties overschrijdt (bijvoorbeeld buitenshuis of in een voertuig).
- Het product en de pen worden blootgesteld aan direct zonlicht of warmte van een apparaat, of worden blootgesteld aan water of een ander soort vloeistof.

Gebruik het product niet in een stoffige omgeving. De eenheid kan hierdoor beschadigd raken.

Demonteer de pen niet. Mogelijk werkt het apparaat dan niet meer goed. In dat geval is Wacom niet verplicht het product te vervangen of te repareren.

Maak geen krassen op het beeldscherm. Plaats geen scherpe objecten op het oppervlak van het beeldscherm.

Stel het product of de pen niet bloot aan zware schokken of trillingen. Als u het product stoot of laat vallen, kunnen het scherm en andere onderdelen beschadigd raken.

Plaats geen zware voorwerpen op het product en duw er ook niet hard tegenaan. Daardoor kan het beeldscherm beschadigd raken.

Plaats geen zware voorwerpen op de kabels van het product, buig de kabels niet te veel en te

vaak en stel de kabelconnectors niet aan te veel druk bloot. Hierdoor kunnen de eenheid of de kabels beschadigd raken.

Als de penpunt scherp of hoekig wordt, kan de coating op het beeldscherm worden beschadigd. Vervang de penpunt indien nodig.

Stel het product niet bloot aan elektrostatische ontladingen met een hoog voltage of aan een toenemende elektrostatische lading op het LCD-scherm. Dit kan tijdelijke vlekken op het LCD-beeldscherm tot gevolg hebben. Als dat gebeurt, dient u het scherm van het product aan te laten. De vlekken verdwijnen dan na een paar uur.

## Opmerking bij het gebruik van dit product

### Penpunt vervangen

Neem contact op met uw Wacom Signature Solution-partner als u nieuwe penpunten nodig hebt.

### Opmerking bij het gebruik

Als het LCD-scherm gedurende een lange periode voortdurend wordt gebruikt, blijft er een spoor van een elektrische lading bij de elektrode in het LCD achter en is wellicht een restbeeld van de vorige afbeelding zichtbaar (afbeelding blijft lange tijd op het scherm staan).

Wacom raadt het gebruik van een bewegende screensaver aan om te voorkomen dat een afbeelding lange tijd op het scherm blijft staan als het scherm ingeschakeld, maar niet actief is.

### Uw LCD-signaturepad verzorgen

Zorg ervoor dat de pen en het oppervlak van het LCD-scherm schoon blijven. Stof en vuil op de pen kunnen slijtage van het beeldschermoppervlak veroorzaken. Het LCD-scherm en de pen gaan langer mee als u deze regelmatig reinigt. Bewaar en gebruik de tablet en de pen in een schone, droge omgeving en vermijd grote temperatuurschommelingen. Kamertemperatuur wordt aanbevolen. Het product en de pen kunnen niet worden geopend. De garantie vervalt als u het product opent.

### Reinigen

Reinig de productbehuizing of de pen met een zachte, vochtige doek. U kunt de doek desgevenst ook bevochtigen met een sopje van water en milde zeep. Gebruik geen verfverdunder, benzine, alcohol of andere oplosmiddelen om de behuizing van de eenheid of de pen schoon te maken.

Als u het beeldscherm wilt schoonmaken, gebruikt u een antistatische doek of een licht bevochtigde doek. Druk bij het schoonmaken zachtjes op het beeldscherm en maak het oppervlak niet nat. Gebruik geen schoonmaakmiddelen om het beeldscherm schoon te maken, anders kunt u de coating van het scherm beschadigen. Let erop dat dit type schade niet wordt gedekt door de garantie van de fabrikant.

## Productspecificaties

### STU-430

#### Algemene specificaties

Model/Merk	STU-430
Afmetingen (B x D x H)	161,43 x 174,37 x 10,85 mm
Gewicht	Hoofdbehuizing: circa 0,279 kg
Bedrijfstemperatuur en luchtvochtigheid	5 tot 40 graden °C, luchtvochtigheid 30% tot 80% relatieve vochtigheid (niet-condenserend)
Opslagtemperatuur & luchtvochtigheid	-20 tot 60 graden °C, luchtvochtigheid: 30% tot 90% relatieve vochtigheid (niet-condenserend)
Aansluitkabels	USB type A tot USB mini-B
Stroomverbruik	maximaal 1,0 W

#### Display

Beeldscherm	FSTN Positive Reflective
Schermformaat	4,5 inch
Aantal pixels	320 x 200
Pixelgrootte	0,30 (H) x 0,30 (V) mm
LCD-kwaliteit	Elk LCD-beeldscherm wordt onder zeer strenge kwaliteitsnormen geproduceerd. De productietechnieken garanderen echter geen absoluut perfecte TFT-weergave. Wacom staat niet toe dat een pixel altijd wit of altijd zwart is. Een klein aantal pixels mag een onjuiste kleur hebben voor sommige delen van het kleurenspectrum. Dit betekent niet dat het beeldscherm defect is.

#### Pentablet

Leestechnologie	Elektromagnetische resonantietechnologie
Actief gebied	95,985 x 59,985 mm
Resolutie	2540 lpi of 0,01 mm/pt
Precisie	± 0,5 mm (midden), randgebied 1 (20 mm breed vanaf rand van weergavegebied) tot ± 2,0 mm, randgebied 2 (3 mm breed vanaf rand van weergavegebied) tot ± 4,0 mm
Leesaafstand	5 mm of meer (midden)
Maximale doorgeefsnelheid	200 punten/sec.

Druk niveaus	1024 niveaus
Communicatie-interface	USB

### Andere

Sleuf voor veiligheidsslot	1
----------------------------	---

### STU-530

#### Algemene specificaties

Model/Merk	STU-530
Afmetingen (B x D x H)	161,43 x 174,37 x 10,85 mm
Gewicht	Hoofdbehuizing: circa 0,289 kg
Bedrijfstemperatuur en luchtvochtigheid	5 tot 40 graden °C, luchtvochtigheid 30% tot 80% relatieve vochtigheid (niet-condenserend)
Opslagtemperatuur & luchtvochtigheid	-20 tot 60 graden °C, luchtvochtigheid: 30% tot 90% relatieve vochtigheid (niet-condenserend)
Aansluitkabels	USB type A tot USB mini-B
Stroomverbruik	maximaal 2,5 W

#### Display

Beeldscherm	Amorphous-TFT-LCD
Schermformaat	5,0 inch (108,0 x 64,8 mm)
Aantal pixels	800 x 480, WVGA
Pixelgrootte	0,135 (H) x 0,135 (V) mm
LCD-kwaliteit	Elk LCD-beeldscherm wordt onder zeer strenge kwaliteitsnormen geproduceerd. De productietechnieken garanderen echter geen absoluut perfecte TFT-weergave. Wacom staat niet toe dat een pixel altijd wit of altijd zwart is. Een klein aantal pixels mag een onjuiste kleur hebben voor sommige delen van het kleurenspectrum. Dit betekent niet dat het beeldscherm defect is.

#### Pentablet

Leestechnologie	Elektromagnetische resonantietechnologie
Actief gebied	108,0 x 64,8 mm
Resolutie	2540 lpi of 0,01 mm/pt
Precisie	± 0,5 mm (midden), randgebied 1 (20 mm breed vanaf rand van weergavegebied) tot ± 2,0 mm, randgebied 2 (3 mm breed vanaf rand van weergavegebied) tot ± 4,0 mm

NL

NL

Leesafstand	5 mm of meer (midden)
Maximale doorgeefsneldheid	200 punten/sec.
Drukniveaus	1024 niveaus
Communicatie-interface	USB

## Andere

Sleuf voor veiligheidslot	1
---------------------------	---

## Pen UP-610-89A-1

Afmetingen (L * D)	140,5 * 9,0 mm (5,53 * 0,35 in)
Gewicht	Circa 7 g (0,25 oz)
Penpuntverplaatsing	Circa 0,2 mm (0,04 in)

## Garanties

### Beperkte garantie (V.S. en Canada)

Wacom garandeert de oorspronkelijke consument-koper dat het product, met uitzondering van de Software en de verbruiksgoederen zoals batterijen, pen cartridges, tabletfolie en penpunten, bij normaal gebruik en onderhoud vrij is van materiaal- en fabricagefouten. De garantie geldt voor een periode van drie (3) jaar vanaf de oorspronkelijke aankoopdatum, aangetoond aan de hand van een exemplaar van de aankoopbon en registratie bij Wacom binnen 30 dagen na aankoop.

De Software wordt "in zijn huidige staat" in licentie gegeven. Wacom verleent geen garantie wat de kwaliteit of de prestaties van de software betreft. Wacom kan geen ononderbroken werking of correctie van eventuele fouten garanderen.

Als er binnen de Garantieperiode een defect wordt vastgesteld in het product, met uitzondering van de Software, dient u telefonisch, via e-mail of via fax contact op te nemen met de technische ondersteuningsdiensten van Wacom. Deze diensten bezorgen u vervolgens een retourautorisatienummer en geven u instructies voor het retourneren van het product naar een door Wacom aangeduide servicelocatie. U dient het product te versturen naar de aangeduide servicelocatie, onder vooruitbetaling van de verzendkosten en met vermelding van het retourautorisatienummer, uw naam, adres en telefoonnummer, een bewijs van de aankoopdatum en een omschrijving van het probleem. Wacom betaalt de retourzending met United Parcel Service of een vergelijkbare dienst gekozen door Wacom.

Wacom's enige verplichting en volledige aansprakelijkheid onder deze garantie bestaat, naar keuze van Wacom, uit de reparatie of vervanging van het defecte product of onderdelen daarvan waarvan Wacom tijdens de Garantieperiode in kennis is gesteld; op voorwaarde, echter, dat u de verantwoordelijkheid draagt voor (i) de kosten voor vervoer van het product naar de aangeduide servicelocatie en (ii) verlies of beschadiging van het product ontstaan tijdens dit vervoer.

Wacom is niet verplicht het product te vervangen of te repareren als het defect van het product voortvloeit uit een ongeluk, misbruik, verwaarlozing of ongeoorloofde wijziging of reparatie, of als het product niet is behandeld of opgeslagen in overeenstemming met de opslaginstructies van Wacom.

Geen van de omschrijvingen, afbeeldingen, specificaties, voorbeelden, modellen, bulletins of vergelijkbaar materiaal, gebruikt in verband met de verkoop van het product, kan worden geïnterpreteerd als een uitdrukkelijke garantie dat het product zal voldoen aan of voorzien in uw eisen.

MET UITZONDERING VAN DE HIERBOVEN OMSCHREVEN BEPERKTE GARANTIE BIEDT WACOM GEEN ANDERE GARANTIES OP DIT PRODUCT. MONDELINGE OF SCHRIFTELIJKE INFORMATIE OF ADVIEZEN GEGEVEN DOOR WACOM, ZIJN LEVERANCIERS, DISTRIBUTEURS, AGENTEN OF WERKNEMERS KUNNEN NIET WORDEN BESCHOUWD ALS EEN GARANTIE EN VERGROTEN OP GEEN ENKELE MANIER HET BEREIK VAN DEZE GARANTIE, EN U KUNT NIET OP DERGELIJKE INFORMATIE OF ADVIEZEN VERTROUWEN.



DEZE GARANTIE VERLEENT U SPECIFIEKE WETTELIJKE RECHTEN, DIE VAN STAAT TOT STAAT VARIËREN.

WACOM BEPERKT DE DUUR VAN WETTELIJK GEÏMPliceERDE GARANTIES, MET INBEGRIp VAN GARANTIES OP VERKOOPBAARHEID OF GESCHIKTHEID VOOR EEN BEPAALD DOEL, TOT DE DUUR VAN WACOMS UITDRUKKELIJKE GARANTIE. OMDAT SOMMIGE STATEN DE BEPERKING VAN DE DUUR VAN EEN GEÏMPliceERDE GARANTIE NIET TOESTAAN, KAN HET ZIJN DAT DE BOVENSTAANDE BEPERKING NIET OP U VAN TOEPASSING IS.

NOCH WACOM NOCH ENIGE ANDEREN DIE BIJ HET MAKEN, DE PRODUCTIE OF DE AFLEVERING VAN DIT PRODUCT BETROKKEN ZIJN GEWEEST, ZIJN AANSPRAKELIJK VOOR DIRECTE OF INDIRECTE SCHADE (MET INBEGRIp VAN SCHADE VERBAND HOUDEND MET VERLIES VAN BEDRIJFSWINST, ONDERBREKING VAN BEDRIJFSACTIVITEITEN, VERLIES VAN BEDRIJFSGEGEVENS EN DERGELIJKE) VOORTVLOEIEND UIT HET GEBRUIK VAN DIT PRODUCT OF UIT DE ONMOGELIJKHEID DAARTOE, ZELFS ALS WACOM OP DE HOOGTE GESTELD IS VAN DE MOGELIJKHEID TOT DERGELIJKE SCHADE. OMDAT SOMMIGE STATEN DE UITSLUITING OF BEPERKING VAN AANSPRAKELIJKHEID VOOR INDIRECTE SCHADE NIET TOESTAAN, KAN HET ZIJN DAT DE BOVENSTAANDE BEPERKING NIET OP U VAN TOEPASSING IS.

In het geval dat de bovenstaande beperkingen niet rechtsgeldig zijn, zal de aansprakelijkheid van Wacom voor enige schade die u of een andere partij hebt geleden, niet groter zijn dan de door u betaalde aankoopprijs, ongeacht de vorm van de vordering.

Deze Beperkte garantie valt onder de wetten van de Verenigde Staten van Amerika en de staat Washington.

Deze Beperkte garantie is alleen geldig voor en van toepassing op producten aangeschaft en gebruikt in de Verenigde Staten (en zijn gebiedsdelen) of Canada.

## Garantieservice

Voor garantieservice in de VS of Canada kunt u contact opnemen met:

Wacom Customer Care Center

Telefoon: 1.360.896.9833

Vragenformulier (e-mail): <http://www.wacom.com/productsupport/email.cfm>

Als u vragen over de Overeenkomst hebt of om een andere reden met Wacom contact op wilt nemen, dient u dit schriftelijk te doen bij een van de volgende adressen:

Wacom Technology Corporation

1311 SE Cardinal Court  
Vancouver, Washington 98683  
V.S.

## Beperkte garantie (Centraal-Amerika, Zuid-Amerika en het Caraïbisch gebied)

Wacom garandeert de oorspronkelijke consument-koper dat het product, met uitzondering van de Software en de verbruiksgoederen zoals batterijen, pencartridges, tabletfolie en penpunten, bij normaal gebruik en onderhoud vrij is van materiaal- en fabricagefouten. De garantie geldt voor een periode van drie (3) jaar vanaf de oorspronkelijke aankoopdatum, aangetoond aan de hand van een exemplaar van de aankoopbon en registratie bij Wacom binnen 30 dagen na aankoop.

De Software wordt "in zijn huidige staat" in licentie gegeven. Wacom verleent geen garantie wat de kwaliteit of de prestaties van de software betreft. Wacom kan geen ononderbroken werking of correctie van eventuele fouten garanderen.

Als er binnen de Garantieperiode een defect wordt vastgesteld in het product, met uitzondering van de Software, dient u telefonisch, via e-mail of via fax contact op te nemen met de technische ondersteuningsdiensten van Wacom. Deze diensten bezorgen u vervolgens een retourautorisatienummer en geven u instructies voor het retourneren van het product naar een door Wacom aangeduide servicelocatie. U dient het product te versturen naar de aangeduide servicelocatie, onder vooruitbetaling van de verzendkosten en met vermelding van het retourautorisatienummer, uw naam, adres en telefoonnummer, een bewijs van de aankoopdatum en een omschrijving van het probleem. Wacom betaalt de retourzending met United Parcel Service of een vergelijkbare dienst gekozen door Wacom.

Wacoms enige verplichting en volledige aansprakelijkheid onder deze garantie bestaat, naar keuze van Wacom, uit de reparatie of vervanging van het defecte product of onderdelen daarvan waarvan Wacom tijdens de Garantieperiode in kennis is gesteld; op voorwaarde, echter, dat u de verantwoordelijkheid draagt voor (i) de kosten voor vervoer van het product naar de aangeduide servicelocatie en (ii) verlies of beschadiging van het product ontstaan tijdens dit vervoer.

Wacom is niet verplicht het product te vervangen of te repareren als het defect van het product voortvloeit uit een ongeluk, misbruik, verwaarlozing of ongeoorloofde wijziging of reparatie, of als het product niet is behandeld of opgeslagen in overeenstemming met de opslaginstructies van Wacom.

Geen van de omschrijvingen, afbeeldingen, specificaties, voorbeelden, modellen, bulletins of vergelijkbaar materiaal, gebruikt in verband met de verkoop van het product, kan worden geïnterpreteerd als een uitdrukkelijke garantie dat het product zal voldoen aan of voorzien in uw eisen.

MET UITZONDERING VAN DE HIERBOVEN OMSCHREVEN BEPERKTE GARANTIE BIEDT WACOM GEEN ANDERE GARANTIES OP DIT PRODUCT. MONDELINGE OF SCHRIFTELIJKE INFORMATIE OF ADVIEZEN GEGEVEN DOOR WACOM, ZIJN LEVERANCIERS, DISTRIBUTEURS, AGENTEN OF WERKNEMERS KUNNEN NIET WORDEN BESCHOUWD ALS EEN GARANTIE EN VERGROTEN OP GEEN ENKELE MANIER HET BEREIK VAN DEZE GARANTIE, EN U KUNT NIET OP DERGELIJKE INFORMATIE OF ADVIEZEN VERTROUWEN.

NL

DEZE GARANTIE VERLEENT U SPECIFIEKE WETTELIJKE RECHTEN, DIE VAN LAND TOT LAND VARIËREN.

WACOM BEPERKT DE DUUR VAN WETTELIJK GEÏMPLICEERDE GARANTIES, MET INBEGRIJ VAN GARANTIES OP VERKOOPBAARHEID OF GESCHIKTHEID VOOR EEN BEPAALD DOEL, TOT DE DUUR VAN WACOMS UITDRUKKELIJKE GARANTIE. OMDAT SOMMIGE LANDEN DE BEPERKING VAN DE DUUR VAN EEN GEÏMPLICEERDE GARANTIE NIET TOESTAAN, KAN HET ZIJN DAT DE BOVENSTAANDE BEPERKING NIET OP U VAN TOEPASSING IS.

NOCH WACOM NOCH ENIGE ANDEREN DIE BIJ HET MAKEN, DE PRODUCTIE OF DE AFLEVERING VAN DIT PRODUCT BETROKKEN ZIJN GEWEEST, ZIJN AANSPRAKELIJK VOOR DIRECTE OF INDIRECTE SCHADE (MET INBEGRIJ VAN SCHADE VERBAND HOUDEND MET VERLIES VAN BEDRIJFSWINST, ONDERBREKING VAN BEDRIJFSACTIVITEITEN, VERLIES VAN BEDRIJFSGEGEVENS EN DERGELIJKE) VOORTVLOEIEND UIT HET GEBRUIK VAN DIT PRODUCT OF UIT DE ONMOGELIJKHEID DAARTOE, ZELFS ALS WACOM OP DE HOOGTE GESTELD IS VAN DE MOGELIJKHEID TOT DERGELIJKE SCHADE. OMDAT SOMMIGE LANDEN DE UITSLUITING OF BEPERKING VAN AANSPRAKELIJKHEID VOOR INDIRECTE SCHADE NIET TOESTAAN, KAN HET ZIJN DAT DE BOVENSTAANDE BEPERKING NIET OP U VAN TOEPASSING IS.

In het geval dat de bovenstaande beperkingen niet rechtsgeldig zijn, zal de aansprakelijkheid van Wacom voor enige schade die u of een andere partij hebt geleden, niet groter zijn dan de door u betaalde aankoopprijs, ongeacht de vorm van de vordering.

Deze Beperkte garantie valt onder de wetten van de Verenigde Staten van Amerika en de staat Washington.

Deze Beperkte garantie is alleen geldig voor en van toepassing op producten aangeschaft en gebruikt in Midden-Amerika, Zuid-Amerika of het Caraïbisch gebied.

## Garantieservice

Neem voor de garantieservice in Midden-Amerika, Zuid-Amerika of het Caraïbisch gebied contact op met uw plaatselijke leverancier of distributeur.

Wacom Customer Care Center

Spaans: <http://www.wacom.com/sp/productsupport/email.cfm>

Portugees: <http://www.wacom.com/pr/productsupport/email.cfm>

Als u vragen over de Overeenkomst hebt of om een andere reden met Wacom contact op wilt nemen, dient u dit schriftelijk te doen bij een van de volgende adressen:

Wacom Technology Corporation  
1311 SE Cardinal Court  
Vancouver, Washington 98683  
U.S.

## Beperkte garantie (Europa, Afrika en het Midden-Oosten)

WACOM garandeert u, als initiële koper (hierna "u" of "de klant" genoemd) dat de producthardware bij normaal gebruik en onderhoud vrij is van materiaal- en fabricagefouten gedurende een garantieperiode van DRIE (3) JAAR,

die ingaat op de aankoopdatum en onder voorwaarde dat het product bij aanschaf ongebruikt was. Gebreken in slijtagegevoelige delen (bijv. penpunten, tabletoppervlakken en batterijen) die het gevolg zijn van normale slijtage, vallen niet onder de garantie. Verder garandeert WACOM dat de gegevensdragers die zijn meegeleverd met het product, bij normaal gebruik vrij zijn van materiaal- en fabricagefouten gedurende een periode van ZES (6) MAANDEN vanaf de aankoopdatum.

Als het product, uitgezonderd de software, tijdens de toepasselijke garantieperiode gebreken vertoont, dient het onmiddellijk te worden geretourneerd naar de plaats van aanschaf in de originele verpakking, binnen de garantieperiode, voorzien van uw naam, adres en telefoonnummer, een omschrijving van het probleem en een kopie van de originele aankoopbon. De klant is aansprakelijk voor mogelijke schade aan of mogelijk verlies van het product tijdens verzending naar de plaats van aanschaf voor dit doel.

De enige verplichting en aansprakelijkheid van Wacom onder deze garantie bestaat, naar keuze van Wacom, uit de reparatie of vervanging van het product of de onderdelen ervan die defect zijn en binnen de desbetreffende garantieperiode zijn teruggezonden.

WACOM garandeert niet het product te repareren of te vervangen als: (a) de schade aan het product het gevolg is van een ongeluk, onjuist gebruik, oneigenlijk gebruik, nalatigheid of onbevoegde wijzigingen of reparaties; (b) het product niet is behandeld of opgeslagen volgens de door WACOM verstrekte voorschriften; (c) de schade het gevolg is van normale slijtage van productonderdelen, of d) het door WACOM aangebrachte serienummer is verwijderd of onleesbaar is gemaakt.

Omschrijvingen, tekeningen, specificaties, voorbeelden, modellen, mededelingen of vergelijkbaar materiaal verstrekt in verband met de aankoop van het product, kunnen niet worden geïnterpreteerd als een uitdrukkelijke garantie dat het product voldoet aan of voorziet in uw wensen.

De garantie die wordt gewaarborgd onder wetgeving, blijft van kracht. U kunt een vordering indienen voor defecten in het product conform toepasselijke wettelijke bepalingen.

WACOM is alleen aansprakelijk voor zichzelf en zijn vertegenwoordigers bij een verwijtbare inbreuk op een essentiële contractuele verplichting op een manier die het doel van het contract in gevaar brengt of wanneer de schade het gevolg is van opzet of omissies of grove nalatigheid. Een essentiële contractuele verplichting is een verplichting die essentieel is voor de juiste uitoefening van het contract waarop de andere partij doorgaans vertrouwt. In geval dat de laakbare inbreuk op een dergelijke essentiële contractuele verplichting niet het gevolg is van bedoelde of grove nalatigheid, is de aansprakelijkheid van een partij beperkt tot de schade die gebruikelijk is bij het contract en die redelijkerwijs te verwachten was op het moment dat het contract werd afgesloten. Indien dergelijke voorwaarden en bepalingen aansprakelijkheid uitsluiten of beperken, is dit tevens van toepassing op de persoonlijke aansprakelijkheid van de bedrijfsleiding en -vertegenwoordiging van de betrokken partij, zijn werknemers, vertegenwoordigers en onderaannemers. De bepalingen van de productaansprakelijkheidswet (Produkthaftungsgesetz) blijven van kracht.

Als bij controle van een vordering die onder deze garantie valt, blijkt dat deze buiten de toegestane periode valt of niet wordt gedekt door de garantie of dat het product niet defect is, zal de klant WACOM vergoeden voor alle bijbehorende kosten.

Deze beperkte garantie is van toepassing als de vestiging van de leverancier zich in een land van de Europese Unie bevindt of in IJsland, Noorwegen, Jersey, Zwitserland, Rusland, Oekraïne, Kroatië, Servië, Tunesië, Turkije, Syrië, Libanon, Jordanië, Israël, Egypte, de Verenigde Arabische Emiraten, Iran of Zuid-Afrika. Deze garantie valt onder de Duitse wetgeving. De toepassing van het Verdrag van de Verenigde Naties inzake internationale koopovereenkomsten betreffende roerende zaken wordt echter uitdrukkelijk uitgesloten. De stad Krefeld in Duitsland is het enige rechtsgebied voor alle vorderingen die voortvloeien uit deze contractuele relatie en alle geschillen tussen de partijen die voortkomen uit het opstellen, het afhandelen of het beëindigen van deze contractuele relatie, vooropgesteld dat de klant een ondernemer, een rechtspersoon of publiekrechtelijke organisatie is. De overeenkomst inzake rechtsbevoegdheid geldt ook voor klanten die niet onder een rechtsgebied in Duitsland vallen. De overeenkomst inzake rechtsbevoegdheid is niet van toepassing als op basis van wettelijke voorschriften een ander rechtsgebied dient te worden vastgesteld.

Voor het overige heeft WACOM het recht om een rechtszaak aan te spannen tegen het hoofdkantoor van de klant.

Mocht een van de bepalingen van deze beperkte garantievoorzwaarden geheel of gedeeltelijk niet rechtsgeldig zijn, dan heeft dit geen invloed op de geldigheid van de overige bepalingen. Mocht een bepaling ongeldig zijn, dan is de wettelijk toegestane regel van toepassing die de meeste overeenkomsten vertoont met de ongeldige regel. Als u vragen over de overeenkomst hebt of om een andere reden contact wilt opnemen met WACOM, kunt u schriftelijk contact met ons opnemen via het volgende adres:

WACOM Europe GmbH  
Europark Fichtenhain A9  
47807 Krefeld  
DUITSLAND

## Beperkte garantie (Azië/Oceanië)

Wacom Co., Ltd. garandeert de oorspronkelijke consument-koper dat het product bij normaal gebruik en onderhoud vrij zal zijn van materiaal- en fabricagefouten. De garantie geldt voor een periode van één (1) jaar vanaf de oorspronkelijke aankoopdatum, aangetoond aan de hand van een exemplaar van de aankoopbon (aankoopbewijs).

De Software wordt "in zijn huidige staat" in licentie gegeven. Wacom verleent geen garantie wat de kwaliteit of de prestaties van de software betreft. Wacom kan geen ononderbroken werking of correctie van eventuele fouten garanderen. Wacom geeft ook geen garantie op verbruiksgoederen zoals batterijen, pencartridges, tabletfolie en penpunten.

Wanneer er binnen de Garantieperiode een defect in het product wordt aangetroffen, met uitzondering van de Software, dient de garantiehouders contact op te nemen met de plaats van aankoop voor instructies om het product voor reparatie of vervanging te retourneren. Wacom en zijn partners zijn niet verplicht om een ongeautoriseerde, voorafbetaalde verzending te vergoeden.

De garantiehouders is niet verplicht om te betalen voor de kosten van verzending tussen de oorspronkelijke plaats van aankoop en de plaats van reparatie of vervanging.

Wacom's enige verplichting en volledige aansprakelijkheid onder deze garantie bestaat, naar keuze van Wacom, uit de reparatie of vervanging van het defecte product of onderdelen daarvan waarvan Wacom tijdens de Garantieperiode in kennis is gesteld.

Wacom is niet verplicht het product te repareren of te vervangen als het defect van het product voortvloeit uit force majeure, met inbegrip van maar niet beperkt tot, brand, natuurrampen, een ongeluk en overmacht; opzettelijk of onbedoeld misbruik, verkeerd gebruik, verwaarlozing, ongeoorloofde wijziging of reparatie, gebruik van dit product op een manier die niet overeenstemt met de instructies in de gebruikershandleiding, of als het product niet is behandeld of opgeslagen in overeenstemming met de opslaginstructies van Wacom.

Geen van de omschrijvingen, afbeeldingen, specificaties, voorbeelden, modellen, bulletins of vergelijkbaar materiaal, gebruikt in verband met de verkoop van het product, kan worden geïnterpreteerd als een uitdrukkelijke garantie dat het product zal voldoen aan of voorzien in uw eisen.

**MET UITZONDERING VAN DE HIERBOVEN OMSCHREVEN BEPERKTE GARANTIE BIEDT WACOM GEEN ANDERE GARANTIES OP DIT PRODUCT. MONDELINGE OF SCHRIFTELIJKE INFORMATIE OF ADVIEZEN GEGEVEN DOOR WACOM, ZIJN LEVERANCIERS, DISTRIBUTEURS, AGENTEN OF WERKNEMERS KUNNEN NIET WORDEN BESCHOUWD ALS EEN GARANTIE EN VERGROTEN OP GEEN ENKELE MANIER HET BEREIK VAN DEZE GARANTIE, EN U KUNT NIET OP DERGELIJKE INFORMATIE OF ADVIEZEN VERTROUWEN. DEZE GARANTIE VERLEENT U SPECIEKE WETTELIJKE RECHTEN, DIE VAN LAND TOT LAND VARIËREN.**

NL

WACOM BEPERKT DE DUUR VAN WETTELIJK GEÏMPliceERDE GARANTIES, MET INBEGRIP VAN GARANTIES OP VERKOOPBAARHEID OF GESCHIKTHEID VOOR EEN BEPAALD DOEL, TOT DE DUUR VAN WACOMS UITDRUKKELIJKE GARANTIE.

OMDAT SOMMIGE LANDEN DE BEPERKING VAN DE DUUR VAN EEN GEÏMPliceERDE GARANTIE NIET TOESTAAN, KAN HET ZIJN DAT DE BOVENSTAANDE BEPERKING NIET OP U VAN TOEPASSING IS.

NOCH WACOM NOCH ENIGE ANDEREN DIE BIJ HET MAKEN, DE PRODUCTIE OF DE AFLEVERING VAN DIT PRODUCT BETROKKEN ZIJN GEWEEST, ZIJN AANSPRAKELIJK VOOR DIRECTE OF INDIRECTE SCHADE (MET INBEGRIJ VAN SCHADE VERBAND HOUDEND MET VERLIES VAN BEDRIJFSWINST, ONDERBREKING VAN BEDRIJFSACTIVITEITEN, VERLIES VAN BEDRIJFSGEGEVENS EN DERGELIJKE) VOORTVLOEIEND UIT HET GEBRUIK VAN DIT PRODUCT OF UIT DE ONMOGELIJKHEID DAARTOE, ZELFS ALS WACOM OP DE HOOGTE GESTELD IS VAN DE MOGELIJKHEID TOT DERGELIJKE SCHADE. OMDAT SOMMIGE LANDEN DE UITSLUITING OF BEPERKING VAN AANSPRAKELIJKHEID VOOR INDIRECTE SCHADE NIET TOESTAAN, KAN HET ZIJN DAT DE BOVENSTAANDE BEPERKING NIET OP U VAN TOEPASSING IS.

In het geval dat de bovenstaande beperkingen niet rechtsgeldig zijn, zal de aansprakelijkheid van Wacom voor schade aan u of aan enige andere partij niet groter zijn dan de door u betaalde aankoopprijs, ongeacht de vorm van de claim.

Deze Beperkte garantie is alleen geldig voor en van toepassing op producten die zijn aangechaft en worden gebruikt in de landen en gebieden van Azië/Oceanië, uitgezonderd Japan, de Volksrepubliek China, Hongkong en landen in het Midden-Oosten.

Deze Beperkte garantie is een verklaring van het actuele garantiebeleid van de Asia Pacific Division van Wacom Co., Ltd. en heeft voorrang op alle andere garantieverklaringen in verpakkingen, brochures, handleidingen, enzovoort.

Deze Beperkte garantie is onderworpen aan de wetten van Japan en kan zonder voorafgaande kennisgeving worden gewijzigd.

Australisch consumentenrecht Onze producten worden geleverd met garanties die niet onder het Australische consumentenrecht kunnen worden uitgesloten. U hebt recht op vervanging of restitutie in geval van een belangrijk defect en op compensatie voor verlies of schade die redelijker wijs kon worden voorzien. U hebt recht op reparatie of vervanging van de goederen indien deze niet van aanvaardbare kwaliteit zijn en het gebrek geen belangrijk defect is. Onze hardwareproducten worden geleverd met één (1) jaar garantie van Wacom Co., Ltd. met een dochteronderneming in Wacom Australia Pty. Ltd. Ground floor, Building 1,3 Richardson Place, North Ryde, NSW, 2113 Australië Indien uw producten binnen de periode van één (1) jaar na levering niet de algemene functies en voorzieningen bieden die in de Gebruikershandleiding zijn beschreven, verzoeken wij u contact op te nemen met Wacom Australia Pty. Ltd. via telefoonnummer +61-29422-6700 met de gegevens van uw product, het serienummer en uw aankoopbewijs. Wellicht wordt u verzocht het hardwareproduct te retourneren naar een adres dat we u op dat moment zullen verstrekken, waarbij de kosten van het retourneren voor uw rekening komen. De voordelen onder deze garantie komen boven op andere rechten en verhaalsmogelijkheden die de wet u biedt.

Garantieservice en technische ondersteuning van Wacom in Azië/Oceanië (uitgezonderd Japan, de Volksrepubliek China, Hongkong en landen in het Midden-Oosten) Gedetailleerde, beperkte garantiebepalingen voor Azië - Stille Oceaan en de productregistratie kunt u online vinden op: <http://www.wacom.asia/customer-care>

Neem voor het verkrijgen van technische ondersteuning of garantieservice in Zuidoost- en Zuid-Azië, Oceanië en Taiwan contact op met de klantenondersteuning van Wacom. Telefoonnummers vindt u op:

<http://wacom-wapcc.com/inquiry/create>

Als u vragen over de Overeenkomst hebt of om een andere reden met Wacom contact wilt opnemen, kunt u dit doen via

<http://wacom-wapcc.com/inquiry/create>

## VERWIJDERINGS- EN RECYCLINGINFORMATIE

### EU ROHS

De producten van Wacom voldoen aan RoHS-richtlijn 2002/95/EC van de Europese Unie.

### VERWIJDERINGSINFORMATIE EU (WEEE)



Het tablet hergebruiken, recyclen en opslaan. U wordt verzocht dit product te recyclen wanneer u het vervangt door een nieuwer product of wanneer het product het einde van zijn levensduur heeft bereikt.

Breng het naar een recyclingpunt in uw buurt. Op die manier levert u uw bijdrage aan een schonere omgeving en voorkomt u dat mogelijk gevaarlijke bestanddelen die verwerkt zijn in het afvalmateriaal in het milieu terechtkomen.

Overeenkomstig Richtlijn 2002/96/EC van het Europese Parlement en van de Raad van 27 januari 2003 alsmede plaatselijke wetten van de lidstaten is het aan inwoners van de Europese Unie niet toegestaan om elektrische en elektronische apparatuur als ongesorteerd huishoudelijk afval aan te bieden. Producten waarvoor deze regels gelden, dragen bovenstaand WEEE-symbool, tenzij de omvang of de functie van het product dit niet toelaat. Wacomproducten vallen onder de bepalingen van Richtlijn 2002/96/EC en dienen apart naar het desbetreffende verzamelpunt in uw buurt te worden gebracht.

## CONFORMITEITSVERKLARINGEN

### CE-VERKLARING

De producten van Wacom (Intuos CTL-480, CTH-480 en CTH-680) voldoen aan de volgende richtlijn(en):

EMC-richtlijn 2004/108/EG

De geharmoniseerde Europese normen en tests die zijn gebruikt ter evaluatie van de product(en) voor deze verklaring, worden beschreven op de website van Wacom (<http://www.wacom.eu/certificates>).

Op grond van de resultaten van deze tests geeft Wacom deze conformiteit aan met het CE-symbool op de hierboven genoemde product(en).


De product(en) moeten altijd worden geïnstalleerd en bediend volgens de instructies in de Belangrijke productinformatie (dit document) en de gebruikershandleiding.

Wijzigingen in het product die niet specifiek door Wacom zijn goedgekeurd, maken deze verklaring ongeldig.

NL

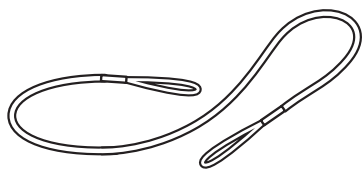
## Informations importantes

Vous trouverez ci-dessous des informations d'aide et d'assistance relatives au produit.

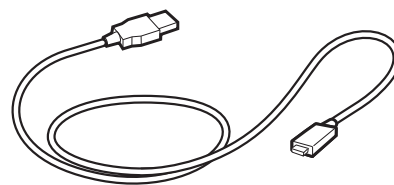
Informations d'aide et d'assistance	Description
 Guide de mise en route (ce guide)	Contient une présentation générale du STU-430 et du STU-530. Il comporte des informations sur la connexion et l'utilisation du produit. Ces informations comprennent également des précautions, des spécifications relatives au produit, ainsi que d'autres informations importantes. Lisez ces informations attentivement avant d'utiliser l'appareil.

## Accessoires fournis

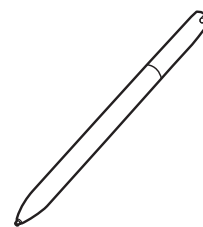
FR



Amarre-stylet



Câble USB (3 m)



Stylet

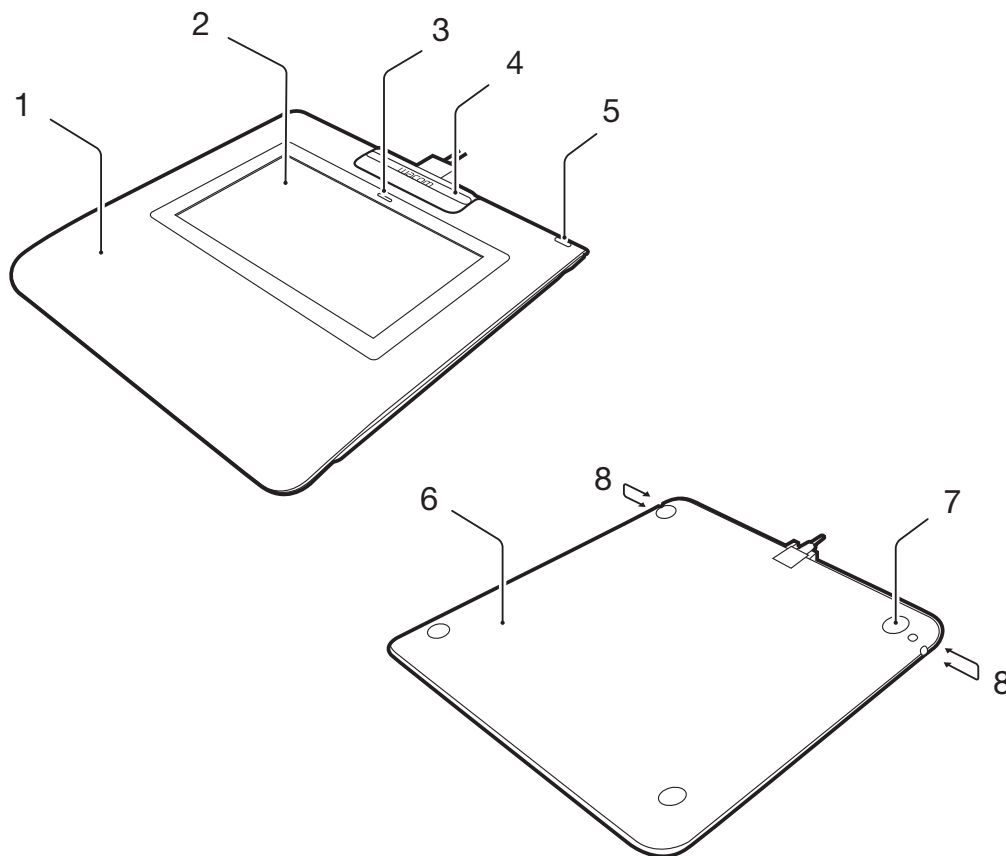


Guide de mise en route

## Familiarisation avec le produit

FR

1. Boîtier avant
2. Zone de signature
3. Voyant
4. Porte-stylet
5. Fente pour verrou de sécurité
6. Boîtier arrière
7. Pieds
8. Orifice de l'amarre-stylet



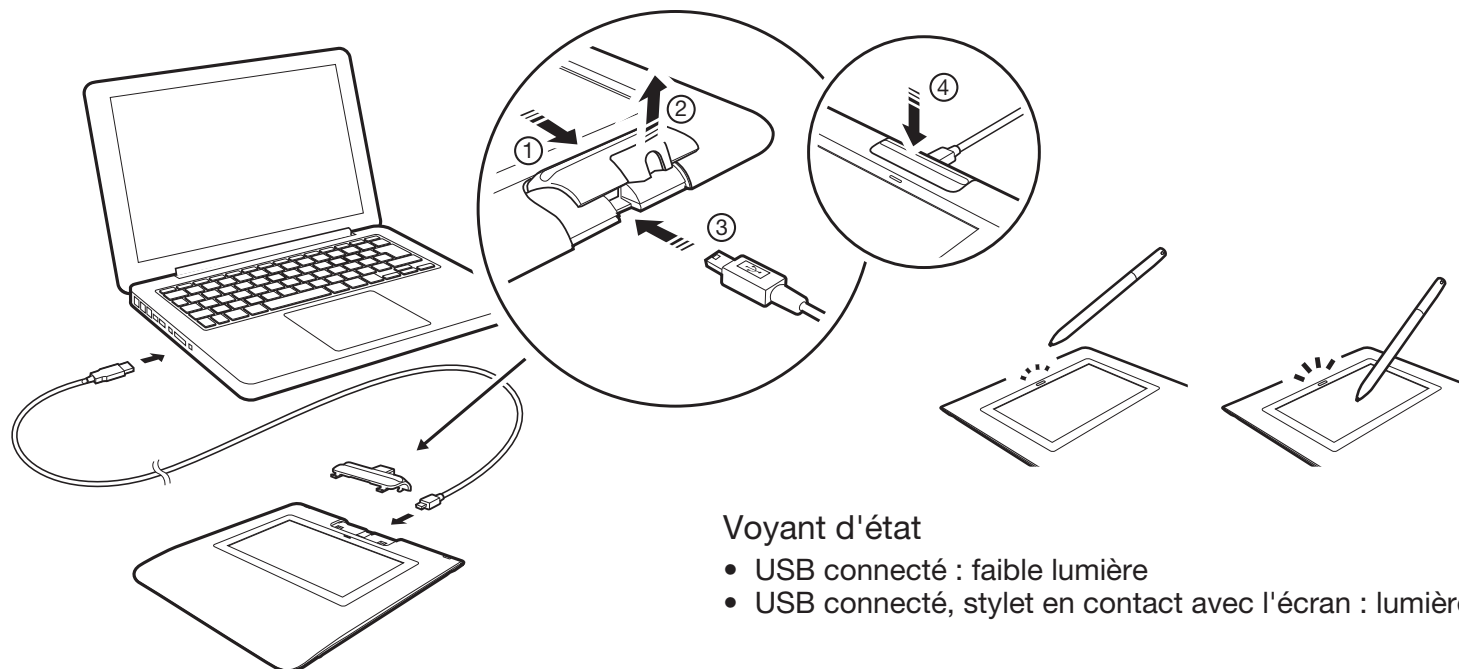


## Connexion du produit à votre ordinateur

1. Mettez votre ordinateur hors tension.
2. Branchez le connecteur USB sur un port USB libre de votre ordinateur.

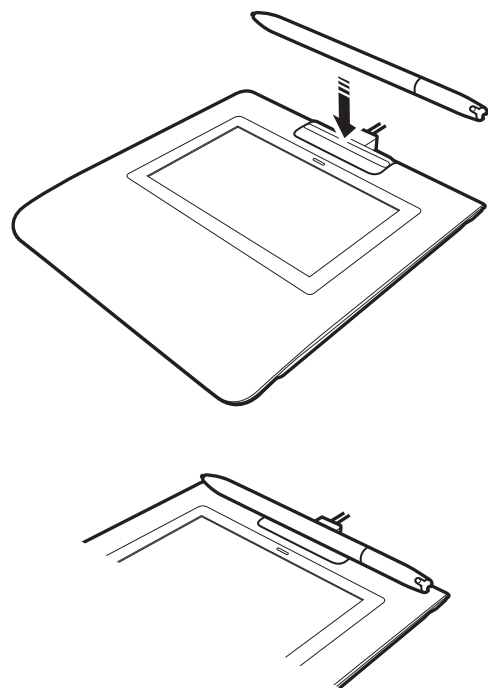
Avant de connecter le câble USB à la tablette signature, le porte-stylet doit être enlevé pour dégager le connecteur. Pour ce faire, faites glisser le porte-stylet vers le haut de la tablette signature, puis soulevez-le. Une fois le câble USB connecté, le porte-stylet peut être verrouillé. (Le porte-stylet a été conçu pour sécuriser le câble USB et empêcher qu'il soit accidentellement détaché.)

FR

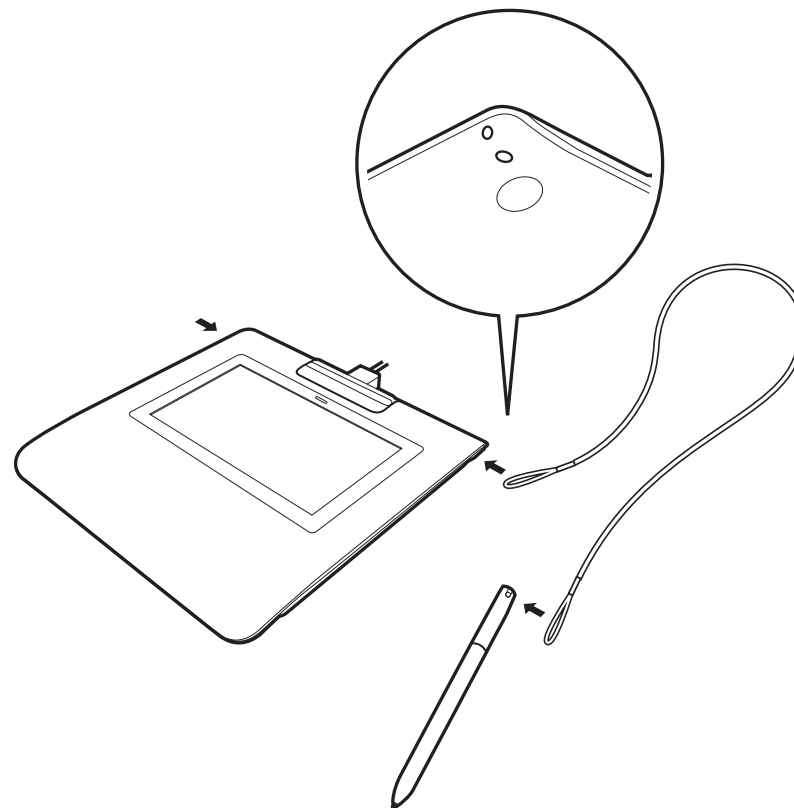


## Porte-stylet et amarre-stylet

FR



Orifice de l'amarre-stylet



## Enregistrement du produit

États-Unis, Canada, Amérique centrale et Amérique du Sud  
Accédez à la page [www.wacom.com/support/product-registration](http://www.wacom.com/support/product-registration)

Europe

Rendez-vous à la page [www.wacom.eu/register](http://www.wacom.eu/register)

FR

## Assistance

États-Unis, Canada, Amérique centrale et Amérique du Sud

Pour obtenir les dernières informations et mises à jour de pilotes, visitez le site [www.wacom.com](http://www.wacom.com), consultez le manuel de l'utilisateur ou contactez l'assistance clientèle sur [www.wacom.com/support](http://www.wacom.com/support)

Europe

Consultez la section Dépannage de votre manuel de l'utilisateur, ou rendez-vous sur notre site Web [www.wacom.eu](http://www.wacom.eu). Vous pouvez contacter l'Assistance Technique du lundi au vendredi, entre 9h00 et 18h00 (heure d'Europe centrale). Veuillez consulter la page [www.wacom.eu/contact](http://www.wacom.eu/contact) pour contacter le Support technique de votre pays.

## Précautions

Respectez les avertissements et les instructions contenus dans ce guide. Sinon, vous risquez de perdre des données ou d'endommager votre ordinateur. Le non-respect de ces indications pourrait entraîner l'annulation de votre garantie. Si cela se produit, Wacom ne sera en aucun cas tenu de réparer ou de remplacer le produit.

## Avertissement

N'utilisez pas le produit à proximité d'un système de commande nécessitant une fiabilité extrêmement élevée. Cela risque de nuire au bon fonctionnement d'autres appareils électroniques ou ces derniers risquent de provoquer un dysfonctionnement du produit. Lorsque son utilisation est interdite, mettez le produit hors tension pour éviter qu'il ne provoque un dysfonctionnement des autres appareils électroniques. Wacom décline toute responsabilité en cas de dommages directs ou indirects.

Haute tension. N'ouvrez et ne démontez en aucun cas le produit. Un risque de choc électrique est présent lorsque le boîtier est ouvert. Le cas échéant, votre garantie sera annulée et Wacom ne sera pas tenu de réparer ou de remplacer le produit.

Si l'écran LCD est endommagé, un liquide peut se répandre. Ne le touchez pas : ce liquide est irritant. En cas de contact avec la peau, les yeux ou la bouche, rincez immédiatement avec de l'eau sous le robinet pendant au moins 15 minutes. Si le liquide entre en contact avec les yeux ou la bouche, consultez un médecin.

Veillez à ce que les enfants n'avalent pas la pointe du stylet. La pointe du stylet risque de se détacher accidentellement si un enfant la mord.

## Attention

N'utilisez pas et ne stockez pas le produit dans les conditions suivantes :

- En cas de variations de température importantes ou hors des limites spécifiées (par exemple à l'extérieur ou dans un véhicule).
- En cas d'exposition directe du produit et du stylet à la lumière du soleil, à une source de chaleur, à de l'eau ou à tout autre liquide.

N'utilisez pas le produit dans un environnement poussiéreux. Vous risqueriez d'endommager l'appareil.

Ne démontez pas le stylet. Cela risquerait d'entraîner son dysfonctionnement. Si cela se produit, Wacom ne sera en aucun cas tenu de réparer ou de remplacer le produit.

Ne rayez pas la surface de l'écran. Évitez de placer des objets pointus ou tranchants sur la surface.

Évitez de soumettre le produit ou le stylet à des chocs et des vibrations violentes. Si vous heurtez ou laissez tomber le produit, vous risquez d'endommager la surface de l'écran ou d'autres composants.

Évitez de placer des objets lourds sur le produit ou d'y exercer une pression importante. Vous risqueriez d'endommager la surface de l'écran.

Ne posez pas d'objet lourd sur les câbles du produit, ne pliez pas brutalement les câbles de manière répétée et ne soumettez pas les connecteurs des câbles à une forte tension au risque d'endommager l'appareil ou son câblage.

Si la pointe du stylet devient coupante ou angulaire, elle risque d'endommager la pellicule protectrice de l'écran. Remplacez la pointe du stylet si nécessaire.

N'exposez pas votre produit à des décharges électrostatiques de haute tension ou à une accumulation de charge électrostatique sur l'écran LCD. Vous risqueriez de tacher temporairement l'écran LCD. Si des taches apparaissent, laissez l'écran du produit allumé ; elles devraient disparaître en quelques heures.

## Remarque sur l'utilisation de ce produit

### Remplacement de la pointe du stylet

Pour savoir comment remplacer les pointes de stylet, contactez votre partenaire de solution de signature Wacom.

### Remarque sur l'utilisation

Lorsque le panneau LCD fonctionne en continu pendant une longue période, une trace de la charge électrique reste près de l'électrode sur l'écran LCD, et une image résiduelle ou « fantôme » de l'image précédente peut être observée (persistance d'image).

Pour éviter la persistance d'image, Wacom recommande d'utiliser un économiseur d'écran animé lorsque l'écran est allumé, mais qu'aucune opération n'est enregistrée.

### Entretien de la tablette signature LCD

Veillez à la propreté du stylet et de la surface de l'écran LCD. La poussière et les saletés peuvent adhérer à votre stylet et entraîner l'usure de la surface de l'écran. Un nettoyage régulier contribuera à prolonger la durée de vie de la surface de votre écran LCD et de votre stylet. Conservez la tablette et le stylet dans un endroit propre et sec et évitez de les exposer à des températures trop élevées ou trop basses. La température ambiante est celle qui convient le mieux. Le produit et son stylet ne sont pas faits pour être démontés. Ne démontez pas la tablette, au risque de rendre la garantie caduque.

### Nettoyage

Pour nettoyer le boîtier du produit ou le stylet, utilisez un chiffon doux et humide. Vous pouvez également humidifier le chiffon avec de l'eau légèrement savonneuse. N'utilisez pas de diluant, de benzène, d'alcool ou autres solvants pour nettoyer le boîtier, le socle ou le stylet.

Pour nettoyer l'écran, utilisez un chiffon antistatique ou légèrement humide. Pendant le nettoyage, n'exercez qu'une pression légère sur l'écran et ne le mouillez pas. N'utilisez pas de détergent pour nettoyer l'écran. Vous risqueriez d'endommager son revêtement. Veuillez noter que ce type de dommage n'est pas couvert par la garantie du fabricant.

## Caractéristiques du produit

### STU-430

#### Spécifications générales

Modèle/Marque	STU-430
Dimensions (l x D x H)	161,43 x 174,37 x 10,85 mm
Poids	Corps principal : 0,279 kg environ
Température et humidité de fonctionnement	5 à 40 °C, humidité relative : 30 % à 80 % (sans condensation)
Température et humidité de stockage	-20 à 60 °C, humidité relative : 30 % à 90 % (sans condensation) (l'humidité de stockage maximale est de 90 % à une température de 40 °C, et la température de stockage maximale est de 60 °C à un taux d'humidité de 25 %.)
Câbles d'interface	USB type A vers USB mini-B
Consommation électrique	1,0 W maximum

#### Écran

Panneau d'affichage	FSTN Positive Reflective
Taille de l'écran	4,5 pouces
Nombre de pixels	320 x 200
Pas du pixel	0,30 (H) x 0,30 (V) mm
Qualité des cristaux liquides	Chacun des affichages LCD répond à des normes de qualité extrêmement rigoureuses. Les techniques de production ne peuvent pas garantir la perfection absolue de votre écran TFT. Wacom n'accepte pas de pixels toujours blancs ou toujours noirs. Un petit nombre de pixels peuvent afficher une couleur incorrecte pour certaines parties du spectre lumineux. Cela ne signifie pas que l'affichage est défectueux.

#### Tablette à stylet

Technologie de lecture	Technologie de résonance électromagnétique
Zone active	95,985 x 59,985 mm
Résolution	0,01 mm/point
Précision	± 0,5 mm (centre), zone de bord 1 (20 mm de large à partir du bord de l'espace d'affichage) à ± 2,0 mm, zone de bord 2 (3 mm de large à partir du bord de la zone d'affichage) à ± 4,0 mm

Hauteur de lecture	5 mm ou plus (centre)
Taux de rapport maximal	200 points/s
Niveaux de pression	1024 niveaux
Interface de communication	USB

#### Autres

Fente pour verrou de sécurité	1
-------------------------------	---

### STU-530

#### Spécifications générales

Modèle/Marque	STU-530
Dimensions (l x D x H)	161,43 x 174,37 x 10,85 mm
Poids	Corps principal : 0,289 kg environ
Température et humidité de fonctionnement	5 à 40 °C, humidité relative : 30 % à 80 % (sans condensation)
Température et humidité de stockage	-20 à 60 °C, humidité relative : 30 % à 90 % (sans condensation)
Câbles d'interface	USB type A vers USB mini-B
Consommation électrique	2,5 W maximum

#### Écran

Panneau d'affichage	Amorphous-TFT-LCD
Taille de l'écran	5,0 pouces (108,0 x 64,8 mm)
Nombre de pixels	800 x 480, WVGA
Pas du pixel	0,135 (H) x 0,135 (V) mm
Qualité des cristaux liquides	Chacun des affichages LCD répond à des normes de qualité extrêmement rigoureuses. Les techniques de production ne peuvent pas garantir la perfection absolue de votre écran TFT. Wacom n'accepte pas de pixels toujours blancs ou toujours noirs. Un petit nombre de pixels peuvent afficher une couleur incorrecte pour certaines parties du spectre lumineux. Cela ne signifie pas que l'affichage est défectueux.

#### Tablette à stylet

Technologie de lecture	Technologie de résonance électromagnétique
Zone active	108,0 x 64,8 mm
Résolution	0,01 mm/point

FR

FR

Précision	± 0,5 mm (centre), zone de bord 1 (20 mm de large à partir du bord de l'espace d'affichage) à ± 2,0 mm, zone de bord 2 (3 mm de large à partir du bord de la zone d'affichage) à ± 4,0 mm
Hauteur de lecture	5 mm ou plus (centre)
Taux de rapport maximal	200 points/s
Niveaux de pression	1024 niveaux
Interface de communication	USB

## Autres

Fente pour verrou de sécurité	1
-------------------------------	---

## Stylet UP-610-89A-1

Taille physique (L * D)	140,5 * 9,0 mm (5,53 * 0,35 pouces)
Poids	7 g environ
Pointe du stylet	0,2 mm environ

## Garanties

### Garantie limitée (États-Unis et Canada)

Wacom garantit ce produit à l'acheteur d'origine, à l'exception du Logiciel et des consommables tels que la batterie, les cartouches de remplacement, la feuille (transparente) de la tablette et les pointes de stylet, contre toute défectuosité de matériel et de fabrication dans des conditions d'utilisation et d'entretien normales, pour une période de trois (3) ans à compter de la date d'achat, d'après copie de la facture et de l'inscription Wacom par e-mail ou en ligne dans les 30 jours suivant l'achat.

Le Logiciel fait l'objet d'une licence « en l'état ». Wacom ne garantit en aucun cas sa qualité ou ses performances. Wacom ne peut vous garantir une utilisation ininterrompue ou la correction d'éventuelles erreurs.

En cas de découverte d'une défectuosité dans le produit, à l'exception du Logiciel, pendant la Période de garantie, contactez le service d'assistance technique de Wacom par téléphone, e-mail ou fax pour obtenir un numéro d'ARM (Autorisation de retour de marchandise) et des instructions d'envoi du produit à un site d'entretien désigné par Wacom. Vous devez envoyer le produit, en payant à l'avance les frais d'expédition, au site d'entretien indiqué, en y joignant le numéro d'autorisation de retour, votre nom, votre adresse et votre numéro de téléphone, la date de la preuve d'achat et une description de la défectuosité. Wacom prend à sa charge l'expédition en retour par le biais de United Parcel Service ou par un service équivalent de son choix.

La seule obligation de Wacom et sa responsabilité aux termes de la présente garantie consiste, au choix de Wacom, à réparer ou à remplacer le produit défectueux ou des composants de celui-ci si Wacom en est averti pendant la Période de garantie ; ceci, toutefois, pour autant que vous assumiez la responsabilité (i) des frais de transport du produit vers le site d'entretien indiqué et (ii) de toute perte ou dommage subi par le produit pendant ce transport.

Wacom ne sera pas tenu de réparer ou de remplacer le produit si sa défaillance résulte d'un accident, d'une utilisation abusive ou incorrecte, d'une négligence ou d'une modification ou réparation non autorisée, ou s'il a été manipulé ou stocké contrairement aux instructions de Wacom en matière de stockage.

Les descriptions, dessins, caractéristiques, échantillons, modèles, bulletins ou autres matériels utilisés dans le cadre de la vente du produit ne constituent pas une garantie explicite de la conformité du produit à vos exigences.

À L'EXCEPTION DE LA GARANTIE LIMITÉE DÉCRITE CI-DESSUS, AUCUNE AUTRE GARANTIE N'EST ACCORDÉE PAR WACOM AU SUJET DE CE PRODUIT. AUCUN CONSEIL NI RENSEIGNEMENT, ORAL OU ÉCRIT, FOURNI PAR WACOM, SES REVENDEURS, DISTRIBUTEURS, REPRÉSENTANTS OU EMPLOYÉS NE FERA OFFICE DE GARANTIE NI N'ÉTENDRA LA PORTÉE DE LA PRÉSENTE GARANTIE ET VOUS NE POUVEZ PAS VOUS BASER SUR DE TELS CONSEILS OU RENSEIGNEMENTS.

LA PRÉSENTE GARANTIE VOUS OCTROIE DES DROITS JURIDIQUES PRÉCIS, ET ÉVENTUELLEMENT D'AUTRES DROITS QUI VARIENT D'UN ÉTAT À UN AUTRE.

WACOM LIMITE LA DURÉE DE TOUTE GARANTIE LÉGALE, NOTAMMENT DES GARANTIES IMPLICITES DE COMMERCIALISATION OU D'ADÉQUATION À UN USAGE PARTICULIER, À LA DURÉE DE LA GARANTIE EXPLICITE DE WACOM. CERTAINS ÉTATS N'AUTORISENT PAS DE LIMITATION DE LA DURÉE D'UNE GARANTIE IMPLICITE, PAR CONSÉQUENT, IL SE PEUT QUE LA RESTRICTION SUSMENTIONNÉE NE VOUS SOIT PAS APPLICABLE.

NI WACOM NI TOUTE AUTRE PERSONNE IMPLIQUÉE DANS LA CRÉATION, LA PRODUCTION OU LA LIVRAISON DE CE PRODUIT NE PEUT ÊTRE TENU RESPONSABLE DE TOUT DOMMAGE DIRECT, INDIRECT OU ACCESSOIRE (Y COMPRIS LA PERTE DE BÉNÉFICES COMMERCIAUX, L'INTERRUPTION D'ACTIVITÉ COMMERCIALE, LA PERTE D'INFORMATIONS COMMERCIALES, ETC.) DÉCOULANT DE L'UTILISATION OU DE L'IMPOSSIBILITÉ D'UTILISER CE PRODUIT, MÊME SI WACOM A ÉTÉ AVERTI DE L'ÉVENTUALITÉ DE TELS DOMMAGES. CERTAINS ÉTATS N'AUTORISANT PAS L'EXCLUSION OU LA LIMITATION DES RESPONSABILITÉS POUR LES DOMMAGES ACCESSOIRES OU INDIRECTS, IL SE PEUT QUE LA RESTRICTION OU L'EXCLUSION SUSMENTIONNÉE NE VOUS SOIT PAS APPLICABLE.

Dans l'éventualité où une partie des limitations mentionnées ci-dessus sont tenues comme non applicables, la responsabilité de Wacom pour tout dommage qui vous incombe ou à toute autre parti, n'excédera pas le prix que vous avez payé, quelle que soit la forme du jugement.

La présente Garantie limitée est régie par les lois des États-Unis d'Amérique et de l'État de Washington.

La présente Garantie limitée n'est valable et applicable que pour les produits achetés et utilisés aux États-Unis (et dans leurs territoires ou possessions) ou au Canada.

## Service de garantie

Pour obtenir un service de garantie aux États-Unis ou au Canada, contactez :

Centre de support client Wacom

Téléphone : +1.360.896.9833

Formulaire de demande par e-mail : <http://www.wacom.com/productsupport/email.cfm>

Pour toute question concernant cet Accord ou si vous désirez contacter Wacom pour quelque raison que ce soit, veuillez envoyer un courrier écrit à l'une des adresses suivantes :

Wacom Technology Corporation

1311 SE Cardinal Court  
Vancouver, Washington 98683  
U.S.A.

## Garantie limitée (Amérique centrale, Amérique du Sud et Caraïbes)

Wacom garantit ce produit à l'acheteur d'origine, à l'exception du Logiciel et des consommables tels que la batterie, les cartouches de remplacement, la feuille (transparente) de la tablette et les pointes de stylet, contre toute défectuosité de matériel et de fabrication dans des conditions d'utilisation et d'entretien normales, pour une période de trois (3) ans à compter de la date d'achat, d'après copie de la facture et de l'inscription Wacom par e-mail ou en ligne dans les 30 jours suivant l'achat.

Le Logiciel fait l'objet d'une licence « en l'état ». Wacom ne garantit en aucun cas sa qualité ou ses performances. Wacom ne peut vous garantir une utilisation ininterrompue ou la correction d'éventuelles erreurs.

En cas de découverte d'une défectuosité dans le produit, à l'exception du Logiciel, pendant la Période de garantie, contactez le service d'assistance technique de Wacom par téléphone, e-mail ou fax pour obtenir un numéro d'ARM (Autorisation de retour de marchandise) et des instructions d'envoi du produit à un site d'entretien désigné par Wacom. Vous devez envoyer le produit, en payant à l'avance les frais d'expédition, au site d'entretien indiqué, en y joignant le numéro d'autorisation de retour, votre nom, votre adresse et votre numéro de téléphone, la date de la preuve d'achat et une description de la défectuosité. Wacom prend à sa charge l'expédition en retour par le biais de United Parcel Service ou par un service équivalent de son choix.

La seule obligation de Wacom et sa responsabilité aux termes de la présente garantie consiste, au choix de Wacom, à réparer ou à remplacer le produit défectueux ou des composants de celui-ci si Wacom en est averti pendant la Période de garantie ; ceci, toutefois, pour autant que vous assumiez la responsabilité (i) des frais de transport du produit vers le site d'entretien indiqué et (ii) de toute perte ou dommage subi par le produit pendant ce transport.

Wacom ne sera pas tenu de réparer ou de remplacer le produit si sa défaillance résulte d'un accident, d'une utilisation abusive ou incorrecte, d'une négligence ou d'une modification ou réparation non autorisée, ou s'il a été manipulé ou stocké contrairement aux instructions de Wacom en matière de stockage.

Les descriptions, dessins, caractéristiques, échantillons, modèles, bulletins ou autres matériels utilisés dans le cadre de la vente du produit ne constituent pas une garantie explicite de la conformité du produit à vos exigences.

À L'EXCEPTION DE LA GARANTIE LIMITÉE DÉCRITE CI-DESSUS, AUCUNE AUTRE GARANTIE N'EST ACCORDÉE PAR WACOM AU SUJET DE CE PRODUIT. AUCUN CONSEIL NI RENSEIGNEMENT, ORAL OU ÉCRIT, FOURNI PAR WACOM, SES REVENDEURS, DISTRIBUTEURS, REPRÉSENTANTS OU EMPLOYÉS NE FERA OFFICE DE GARANTIE NI N'ÉTENDRA LA PORTÉE DE LA PRÉSENTE GARANTIE ET VOUS NE POUVEZ PAS VOUS BASER SUR DE TELS CONSEILS OU RENSEIGNEMENTS.

LA PRÉSENTE GARANTIE VOUS OCTROIE DES DROITS JURIDIQUES PRÉCIS, ET ÉVENTUELLEMENT D'AUTRES DROITS QUI VARIENT D'UN PAYS À UN AUTRE.

FR

WACOM LIMITE LA DURÉE DE TOUTE GARANTIE LÉGALE, NOTAMMENT DES GARANTIES IMPLICITES DE COMMERCIALISATION OU D'ADÉQUATION À UN USAGE PARTICULIER, À LA DURÉE DE LA GARANTIE EXPLICITE DE WACOM. CERTAINS PAYS N'AUTORISENT PAS DE LIMITATION DE LA DURÉE D'UNE GARANTIE IMPLICITE, PAR CONSÉQUENT, IL SE PEUT QUE LA RESTRICTION SUSMENTIONNÉE NE VOUS SOIT PAS APPLICABLE.

NI WACOM NI TOUTE AUTRE PERSONNE IMPLIQUÉE DANS LA CRÉATION, LA PRODUCTION OU LA LIVRAISON DE CE PRODUIT NE PEUT ÊTRE TENU RESPONSABLE DE TOUT DOMMAGE DIRECT, INDIRECT OU ACCESSOIRE (Y COMPRIS LA PERTE DE BÉNÉFICES COMMERCIAUX, L'INTERRUPTION D'ACTIVITÉ COMMERCIALE, LA PERTE D'INFORMATIONS COMMERCIALES, ETC.) DÉCOULANT DE L'UTILISATION OU DE L'IMPOSSIBILITÉ D'UTILISER CE PRODUIT, MÊME SI WACOM A ÉTÉ AVERTI DE L'ÉVENTUALITÉ DE TELS DOMMAGES. CERTAINS PAYS N'AUTORISANT PAS L'EXCLUSION OU LA LIMITATION DES RESPONSABILITÉS POUR LES DOMMAGES ACCESSOIRES OU INDIRECTS, IL SE PEUT QUE LA RESTRICTION OU L'EXCLUSION SUSMENTIONNÉE NE VOUS SOIT PAS APPLICABLE.

Dans l'éventualité où une partie des limitations mentionnées ci-dessus sont tenues comme non applicables, la responsabilité de Wacom pour tout dommage qui vous incombe ou à toute autre parti, n'excédera pas le prix que vous avez payé, quelle que soit la forme du jugement.

La présente Garantie limitée est régie par les lois des États-Unis d'Amérique et de l'État de Washington.

La présente Garantie limitée n'est valable et applicable que pour les produits achetés et utilisés en Amérique centrale, en Amérique du sud et aux Caraïbes.

## Service de garantie

Pour obtenir un service de garantie en Amérique centrale, en Amérique du sud et aux Caraïbes, contactez votre revendeur ou votre distributeur local.

Centre de support client Wacom

Espagnol : <http://www.wacom.com/sp/productsupport/email.cfm>

Portugais : <http://www.wacom.com/pr/productsupport/email.cfm>

Pour toute question concernant cet Accord ou si vous désirez contacter Wacom pour quelque raison que ce soit, veuillez envoyer un courrier écrit à l'une des adresses suivantes :

Wacom Technology Corporation  
1311 SE Cardinal Court  
Vancouver, Washington 98683  
U.S.A.

## Garantie limitée (Europe, Afrique et Moyen-Orient)

WACOM vous garantit, en tant qu'acheteur initial, (ci-après dénommé « vous » ou « le client ») que le matériel du produit est exempt de défauts de matériel et de fabrication dans des conditions d'utilisation et d'entretien normales pendant une période de garantie de TROIS (3) ANS,

à compter de la date d'achat, pour autant que le produit ait été acheté neuf. Les défauts sur les pièces d'usure (pointes de stylet, surface de la tablette et batteries par exemple) liés à une usure normale sont exclus de cette garantie. En outre, WACOM garantit que les supports de données fournis avec le produit sont exempts de tout défaut matériel ou de fabrication dans des conditions d'utilisation et d'entretien normales, pendant une durée de SIX (6) MOIS à compter de la date d'achat.

Si, durant la période de garantie applicable, le produit, à l'exclusion de tout logiciel, est reconnu défectueux, il doit être immédiatement renvoyé sur le lieu d'achat dans son emballage d'origine, avec vos nom, adresse et numéro de téléphone, ainsi qu'un descriptif du problème et une copie du reçu original. Le client est responsable de tout dommage ou perte pendant le transport du produit vers le lieu d'achat à cette fin.

La seule obligation et l'entière responsabilité de Wacom consistera, à la discrétion de Wacom, soit de remplacer, soit de réparer les pièces ou le produit défectueux renvoyés au cours de la période de garantie.

WACOM n'est en aucun cas tenu de réparer ou remplacer le produit dans les cas suivants : (a) le produit est endommagé à la suite d'un accident, d'une mauvaise utilisation, d'un usage inapproprié, d'une négligence ou d'une modification ou réparation non autorisée ; (b) le produit n'a pas été manipulé ou stocké conformément aux instructions fournies par WACOM ; (c) l'endommagement est le résultat d'une usure normale des pièces du produit ; ou d) le numéro de série apposé par WACOM a été retiré ou est devenu illisible.

Les descriptions, dessins, caractéristiques, échantillons, modèles, notifications ou support similaire fournis lors de l'achat du produit ne peuvent être considérés comme une garantie explicite de la correspondance du produit à vos exigences.

La garantie assurée par la loi reste valable. Vous pouvez faire valoir tout défaut du produit conformément aux dispositions juridiques applicables.

La responsabilité de WACOM engage l'entreprise elle-même et ses agents d'exécution, dans le cas du manquement à une obligation matérielle contractuelle portant atteinte aux fins du Contrat ou d'un dommage dû à des actes intentionnels, des omissions ou à une grande négligence. Une obligation matérielle contractuelle est une obligation essentielle à la bonne exécution du contrat, sur lequel compte normalement l'autre partie. En cas de violation à une telle obligation matérielle contractuelle non intentionnelle ou non due à une grande négligence, la responsabilité d'une partie doit être restreinte aux dommages habituels pour le contrat, objectivement prévisibles au moment de la conclusion du contrat. L'annulation ou la restriction de responsabilité prévue dans le cadre des présentes Termes et Conditions s'applique également à la responsabilité des dirigeants de la partie concernée, ses employés, agents et sous-traitants. Les dispositions relatives à la loi sur la responsabilité du produit (Produkthaftungsgesetz) demeurent valables.



Si, au cours de la vérification d'une réclamation au titre de la présente garantie, il apparaît que cette réclamation dépasse la période autorisée ou n'est pas couverte par la garantie, ou encore que le produit n'est pas défectueux, les frais engagés par Wacom devront être remboursés par le client.

Cette garantie limitée s'applique si le siège social du fabricant est situé en UE ou en Islande, Norvège, Jersey, Suisse, Russie, Ukraine, Croatie, Serbie, Tunisie, Turquie, Syrie, Liban, Jordanie, Israël, Égypte, Émirats Arabes Unis, Iran ou Afrique du Sud. Cette garantie est soumise à la législation allemande. L'applicabilité de la Convention des Nations Unies sur les contrats de vente internationale de marchandises est explicitement exclue. La cour de Krefeld en Allemagne est le seul tribunal compétent pour toutes les réclamations émanant de cette relation contractuelle et pour tous les litiges entre les parties résultant de la formation, du traitement ou de la résiliation de la relation contractuelle, à condition que le client soit un négociant, une entité légale ou un fonds relevant de la loi publique. L'accord de compétence s'applique également aux clients dont la juridiction compétente n'est pas située en Allemagne. L'accord de compétence ne s'applique pas si, pour des raisons légales, une autre juridiction compétente doit être déterminée pour un cas particulier.

En outre, WACOM est autorisé à engager des poursuites judiciaires à l'encontre du siège social du client.

L'invalidation d'une des dispositions de la présente garantie limitée ne saura en aucun cas affecter la validité des autres dispositions, en tout ou partie. Dans l'éventualité où une disposition serait invalide, la réglementation légale la plus proche doit s'appliquer en lieu et place de cette dernière. Pour toute question concernant ce contrat, ou si vous souhaitez contacter WACOM pour toute autre raison, veuillez nous écrire à l'adresse suivante :

WACOM Europe GmbH  
Europark Fichtenhain A9  
47807 Krefeld  
ALLEMAGNE

## Garantie limitée (Région Asie-Pacifique)

Wacom Co., Ltd. garantit le produit à l'acheteur d'origine, contre toute défectuosité de matériel et de fabrication dans des conditions d'utilisation et d'entretien normales pour une période d'un (1) an, à compter de la date d'achat initiale du produit, d'après copie de la facture (preuve d'achat).

Le Logiciel fait l'objet d'une licence « en l'état ». Wacom ne garantit en aucun cas sa qualité, ses performances ou autres. Wacom ne peut vous garantir une utilisation ininterrompue ou la correction d'éventuelles erreurs. Wacom n'apporte également aucune garantie pour les consommables tels que batteries, cartouches de stylet, feuilles (transparentes) de la tablette et pointes.

Lors de la découverte d'un défaut dans le produit, sauf dans le Logiciel, dans le cadre de la Période de garantie, le titulaire de la garantie doit contacter le lieu d'achat d'origine pour obtenir les instructions de renvoi du produit pour réparation ou remplacement. Wacom et ses partenaires ne sont pas tenus de rembourser les envois prépayés non autorisés.

Le titulaire de la garantie n'est soumis à aucune obligation de paiement des frais d'expédition entre le lieu d'achat d'origine et le lieu de la réparation ou du remplacement.

La seule obligation et responsabilité de Wacom aux termes de la présente garantie consiste, au choix de Wacom, à réparer ou à remplacer le produit défectueux ou des composants de celui-ci si Wacom en est averti pendant la Période de garantie.

Wacom n'assume aucune responsabilité quant à la réparation ou au remplacement du produit si la défaillance du produit a résulté d'un cas de force majeure y compris, mais sans s'y limiter, un incendie, des catastrophes naturelles, un accident ; un mauvais traitement, un mauvais usage, une négligence intentionnels ou accidentels, une modification non autorisée ou une réparation, une utilisation de ce produit d'une manière autre que celle expliquée dans le guide de l'utilisateur, ou si le produit a été manipulé ou stocké contrairement aux instructions de Wacom en matière de stockage.

Les descriptions, dessins, caractéristiques, échantillons, modèles, bulletins ou autres matériels utilisés dans le cadre de la vente du produit ne constituent pas une garantie explicite de la conformité du produit à vos exigences.

À L'EXCEPTION DE LA GARANTIE LIMITÉE DÉCRITE CI-DESSUS, AUCUNE AUTRE GARANTIE N'EST ACCORDÉE PAR WACOM AU SUJET DE CE PRODUIT. AUCUN CONSEIL NI RENSEIGNEMENT, ORAL OU ÉCRIT, FOURNI PAR WACOM, SES REVENDEURS, DISTRIBUTEURS, REPRÉSENTANTS OU EMPLOYÉS NE FERA OFFICE DE GARANTIE NI N'ÉTENDRA LA PORTÉE DE LA PRÉSENTE GARANTIE ET VOUS NE POUVEZ PAS VOUS BASER SUR DE TELS CONSEILS OU RENSEIGNEMENTS. LA PRÉSENTE GARANTIE VOUS OCTROIE DES DROITS JURIDIQUES PRÉCIS, ET ÉVENTUELLEMENT D'AUTRES DROITS QUI VARIENT D'UN PAYS À UN AUTRE.

WACOM LIMITE LA DURÉE DE TOUTE GARANTIE LÉGALE, NOTAMMENT DES GARANTIES IMPLICITES DE COMMERCIALISATION OU D'ADÉQUATION À UN USAGE PARTICULIER, À LA DURÉE DE LA GARANTIE EXPLICITE DE WACOM.

CERTAINS PAYS N'AUTORISENT PAS DE LIMITATION DE LA DURÉE D'UNE GARANTIE IMPLICITE, PAR CONSÉQUENT, IL SE PEUT QUE LA RESTRICTION SUSMENTIONNÉE NE VOUS SOIT PAS APPLICABLE.

NI WACOM NI TOUTE AUTRE PERSONNE IMPLIQUÉE DANS LA CRÉATION, LA PRODUCTION OU LA LIVRAISON DE CE PRODUIT NE PEUT ÊTRE TENU RESPONSABLE DE TOUT DOMMAGE DIRECT, INDIRECT OU ACCESSOIRE (Y COMPRIS LA PERTE DE BÉNÉFICES COMMERCIAUX, L'INTERRUPTION D'ACTIVITÉ COMMERCIALE, LA PERTE D'INFORMATIONS COMMERCIALES, ETC.) DÉCOULANT DE L'UTILISATION OU DE L'IMPOSSIBILITÉ D'UTILISER CE PRODUIT, MÊME SI WACOM A ÉTÉ AVERTI DE L'ÉVENTUALITÉ DE TELS DOMMAGES. CERTAINS PAYS N'AUTORISANT PAS L'EXCLUSION OU LA LIMITATION DES RESPONSABILITÉS POUR LES DOMMAGES ACCESSOIRES OU INDIRECTS, IL SE PEUT QUE LA RESTRICTION OU L'EXCLUSION SUSMENTIONNÉE NE VOUS SOIT PAS APPLICABLE.

Dans l'éventualité où une partie des limitations mentionnées ci-dessus sont considérées comme non applicables, la responsabilité de Wacom pour tout dommage envers vous ou toute autre partie, n'excédera pas le prix que vous avez payé, quelle que soit la forme de la plainte.

FR

FR

Cette garantie limitée est valable et ne s'applique qu'aux produits achetés et utilisés à l'intérieur des pays et territoires de l'Asie-Pacifique à l'exclusion du Japon, de la Chine, de Hong Kong et des pays du Moyen-Orient.

Cette garantie limitée est une déclaration de la politique de garantie actuelle de la Division Asie-Pacifique de Wacom Co., Ltd. et prend le pas sur toutes les autres déclarations de garantie contenues dans les emballages, brochures, manuels, etc.

Cette garantie limitée est régie par les lois du Japon et est sujette à changement sans préavis.

**Droit australien de la consommation** Nos biens sont assortis de garanties qui ne peuvent pas être exclues en vertu du droit australien de la consommation. Vous avez droit à un remplacement ou remboursement pour une défaillance majeure et à une indemnisation pour tout autre dommage ou toute perte raisonnablement prévisible. Vous avez également droit à une réparation ou un remplacement des biens si ceux-ci ne respectent pas les critères de qualité acceptable, et si la défaillance n'équivaut pas à une défaillance majeure. Nos produits matériels sont assortis d'une garantie d'un (1) an donnée par Wacom Co., Ltd. avec une filiale située à Wacom Australia Pty. Ltd. Ground floor, Building 1,3 Richardson Place, North Ryde, NSW, 2113 Australie Si vos Produits Wacom ne présentent pas les caractéristiques générales et les fonctions décrites dans la Documentation utilisateur dans la période d'un (1) an à compter de la livraison, veuillez contacter Wacom Australia Pty. Ltd. au +61-29422-6700 en vous munissant des détails de votre produit, du numéro de série et de la preuve d'achat. Il vous sera peut-être demandé de retourner le produit matériel à l'adresse que nous vous avons fourni au moment de l'achat, auquel cas ce retour sera à vos propres frais. Les prestations en vertu de cette garantie s'ajoutent aux autres droits et recours dont vous pouvez vous prévaloir en droit.

Service de garantie / Service d'assistance technique en Asie-Pacifique (à l'exclusion du Japon, de la Chine, de Hong Kong et des pays du Moyen-Orient) Pour de plus amples informations sur la politique de garantie limitée et l'enregistrement des produits dans la région Asie-Pacifique, consultez le site Web <http://www.wacom.asia/customer-care>

Pour obtenir une assistance technique ou bénéficier des services de garantie en Asie du Sud-est et du Sud, en Océanie et à Taiwan, veuillez contacter le service client de Wacom. Les numéros de téléphone sont disponibles ici :

<http://wacom-wapcc.com/inquiry/create>

Pour toute question concernant cet Accord ou si vous désirez contacter Wacom pour quelle que raison que ce soit, veuillez nous contacter via le site à l'adresse ci-dessous :

<http://wacom-wapcc.com/inquiry/create>

## INFORMATIONS SUR LA MISE AU REBUT ET LE RECYCLAGE

### ROHS DE L'UNION EUROPÉENNE

Les produits de Wacom sont conformes à la directive européenne RoHS 2002/95/CE.

### INFORMATIONS CONCERNANT LA MISE AU REBUT DES DÉCHETS D'ÉQUIPEMENTS ÉLECTRIQUES ET ÉLECTRONIQUES (DEEE) AU SEIN DE L'UNION EUROPÉENNE



Réutilisation, recyclage et récupération. Une fois en fin de vie ou après son remplacement par un produit plus récent, il est fortement conseillé de recycler ce produit en le déposant dans un point de collecte de matériaux recyclables de votre région.

Ce faisant, vous aiderez à protéger l'environnement et minimiserez les effets négatifs causés par d'éventuels écoulements de substances dangereuses lors de la mise au rebut.

Au sein de l'Union Européenne, il est interdit aux utilisateurs de jeter les déchets d'équipements électriques et électroniques (DEEE) avec les ordures ménagères non triées, conformément à la Directive 2002/96/CE du Parlement européen et du Conseil en date du 27 janvier 2003, ou aux lois équivalentes des États membres. Les produits concernés sont dotés du symbole DEEE illustré au début de cette remarque, sauf impossibilité due à la taille ou à la fonction du produit. Les produits Wacom sont soumis à la Directive 2002/96/CE et doivent donc être mis au rebut séparément, dans un point de collecte de votre région.

**LES AMPOULES HG DANS CE PRODUIT CONTIENNENT DU MERCURE ET DOIVENT ÊTRE RECYCLÉES OU ÉLIMINÉES CONFORMÉMENT AUX LÉGISLATIONS LOCALES, NATIONALES OU FÉDÉRALES.**

L'écran interactif STU-430, STU-630 a un rétro-éclairage qui contient du mercure (HG). Assurez-vous de l'éliminer correctement, et de gérer toute élimination de cette unité conformément aux règlements et législations locales.

## DÉCLARATIONS DE CONFORMITÉ

### CONFORMITÉ FCC

Cet appareil est conforme à la section 15 de la réglementation FCC. Ce produit a été vérifié et réceptionné conformément aux prescriptions relatives aux appareils numériques de classe B, selon la section 15 de la réglementation FCC.

Ces prescriptions sont destinées à fournir, dans le cas d'une installation domestique, un niveau de protection approprié contre de telles interférences.

L'équipement décrit dans le présent manuel génère, utilise et peut émettre des fréquences radio. S'il n'est pas installé et utilisé correctement, il risque d'entraîner des interférences dans la réception radio et télévision. L'absence d'interférences n'est toutefois pas garantie dans certaines installations.

Vous pouvez déterminer si la tablette provoque des interférences en la déconnectant de l'ordinateur. Si les interférences cessent, elles sont probablement provoquées par le matériel.

Si votre matériel perturbe la réception des signaux de radio ou de télévision, les mesures suivantes peuvent aider à résoudre ce problème :

- Modifiez l'orientation de l'antenne du téléviseur ou de la radio jusqu'à ce que les interférences cessent.
- Éloignez davantage le matériel du téléviseur ou de la radio.
- Branchez l'ordinateur et le matériel sur une prise secteur appartenant à un circuit différent de celui du téléviseur ou de la radio.

Le cas échéant, consultez votre revendeur Wacom agréé ou un technicien radio/télévision expérimenté.

Tout changement ou modification apporté à ce produit et non autorisé par Wacom peut rendre la certification FCC nulle et non avenue et entraîner l'expiration de l'autorisation d'exploitation du produit.

### INDUSTRIE CANADA (CANADA UNIQUEMENT)

Industry Canada, Class B

« This Class (B) digital apparatus complies with Canadian ICES-003 »

### DÉCLARATION CE

Les produits Wacom (STU-430, STU-530) sont conformes aux directives suivantes :

La directive CEM 2004/108/EC

Les normes et tests européens harmonisés qui ont été utilisés pour l'évaluation du ou des produits(s) dans le cadre de cette déclaration sont consultables sur le site Web Wacom (<http://www.wacom.eu/certificates>).

Au vu des résultats de ces tests, Wacom indique leur conformité en plaçant le sigle CE sur le/ les produit(s) mentionné(s) ci-dessus.

Le/les produit(s) doivent toujours être installés et utilisés conformément aux instructions fournies dans le présent document (Informations importantes sur le produit) et dans le manuel de l'utilisateur.

Toute modification du produit non autorisée par Wacom invalidera cette déclaration.

FR

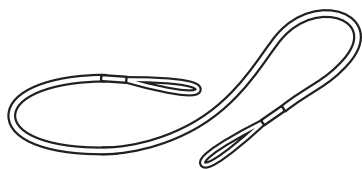
## Informazioni importanti

Le informazioni seguenti forniscono guida e supporto sul prodotto.

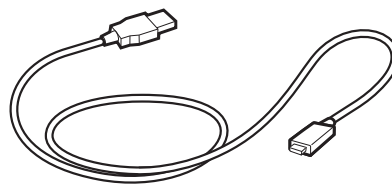
Informazioni di guida e supporto	Descrizione
Guida rapida (questa guida)	Fornisce una panoramica generale su STU-430 e STU-530. Contiene informazioni su come collegare e utilizzare il prodotto. Contiene, inoltre, precauzioni, specifiche e altre informazioni importanti sul prodotto. Leggere queste informazioni con attenzione prima dell'uso.

IT

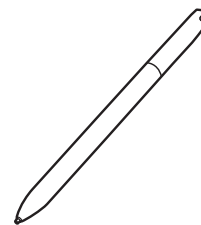
## Accessori forniti in dotazione



Laccio anticaduta  
(per la penna)



Cavo USB (3 m)



Penna

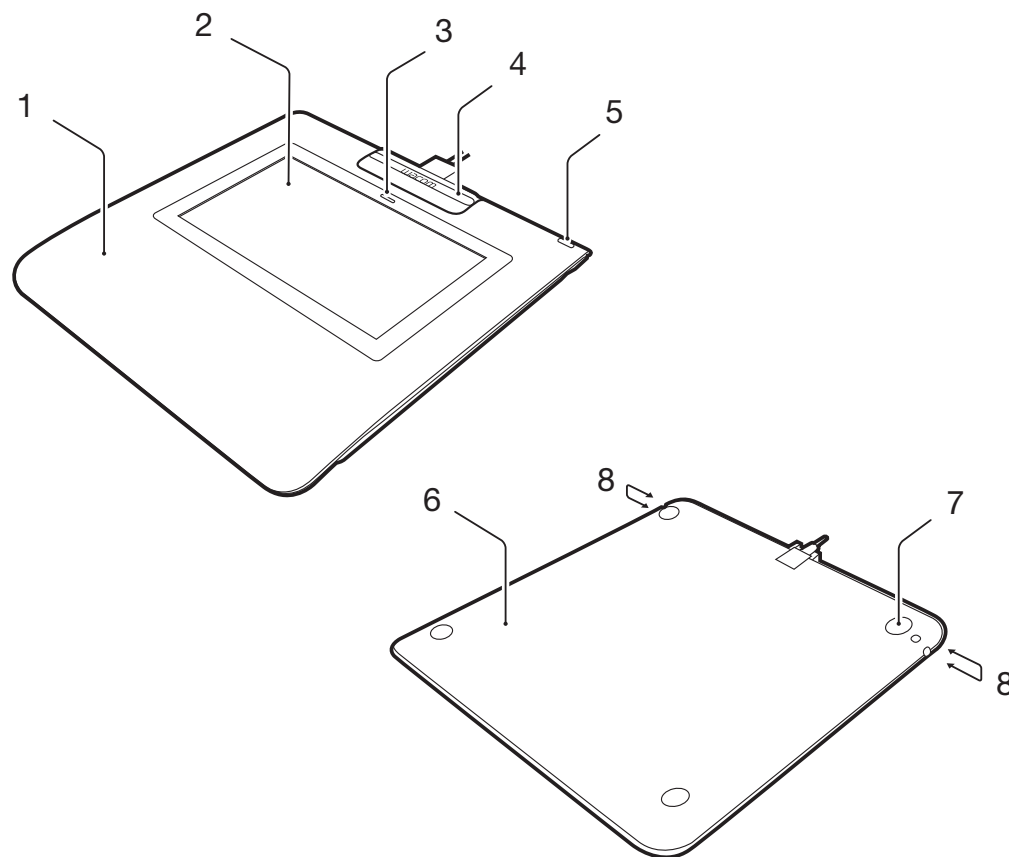


Guida rapida

IT

## Descrizione del prodotto

1. Coperchio anteriore
2. Area grafometrica
3. LED
4. Portapenna
5. Slot per blocco di sicurezza
6. Coperchio posteriore
7. Piedini
8. Foro del laccio anticaduta della penna

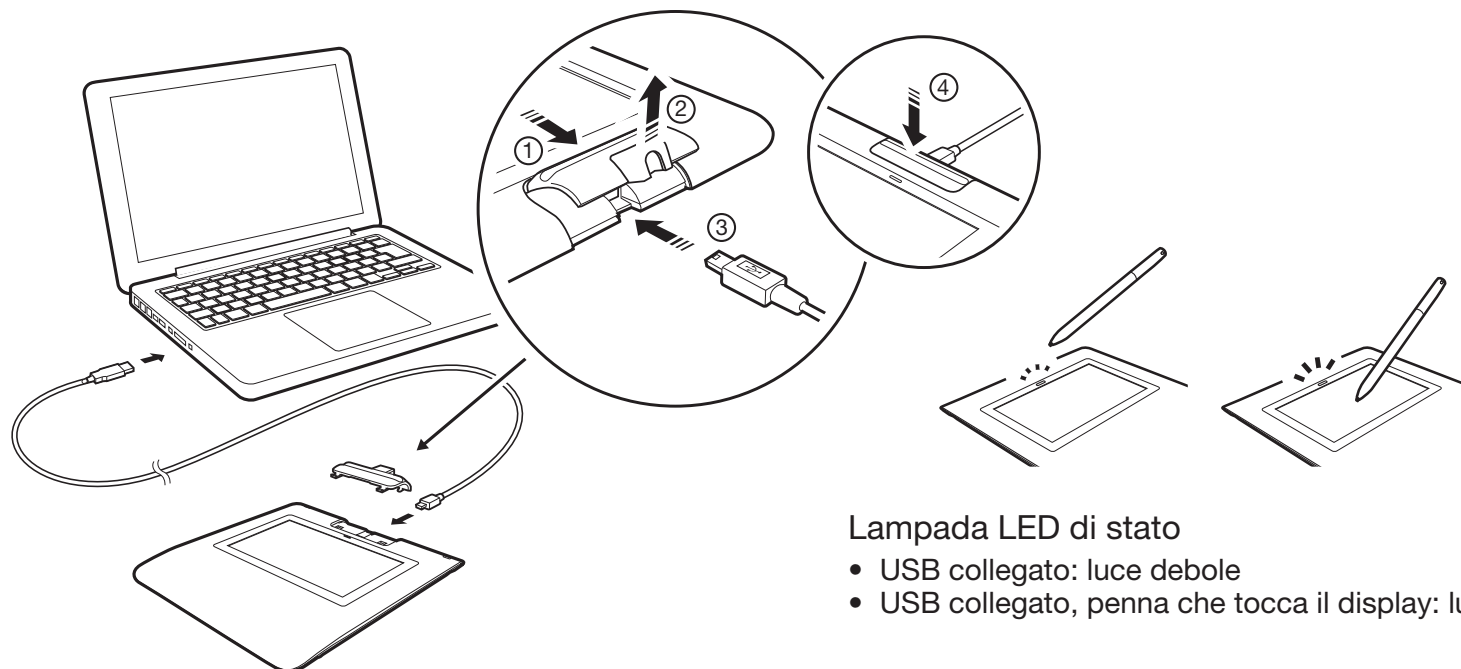


IT

## Collegamento del prodotto al computer

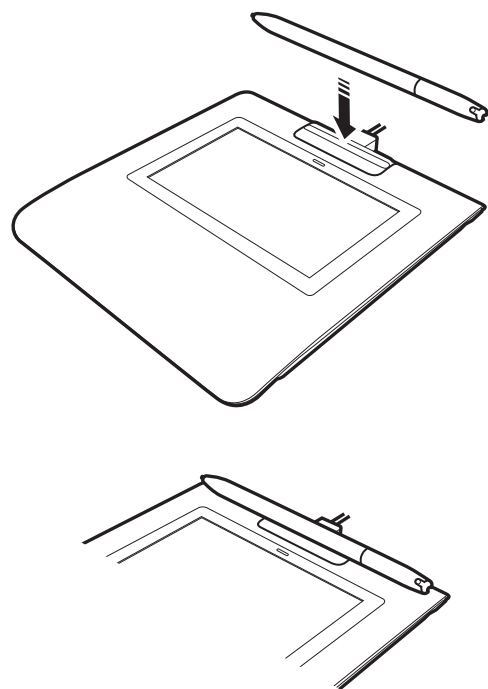
1. Spegnerre il computer.
2. Collegare il connettore USB a una porta USB libera del computer.

Prima di collegare il cavo USB al tablet di firma grafometrica, il portapenna deve essere rimosso per esporre il connettore. Per rimuoverlo, fare scorrere il portapenna verso la parte superiore del tablet di firma grafometrica, quindi sollevarlo. Una volta collegato il cavo USB, il portapenna può essere bloccato nuovamente in posizione (il portapenna è progettato per mantenere in posizione il cavo USB e impedire che si stacchi accidentalmente).

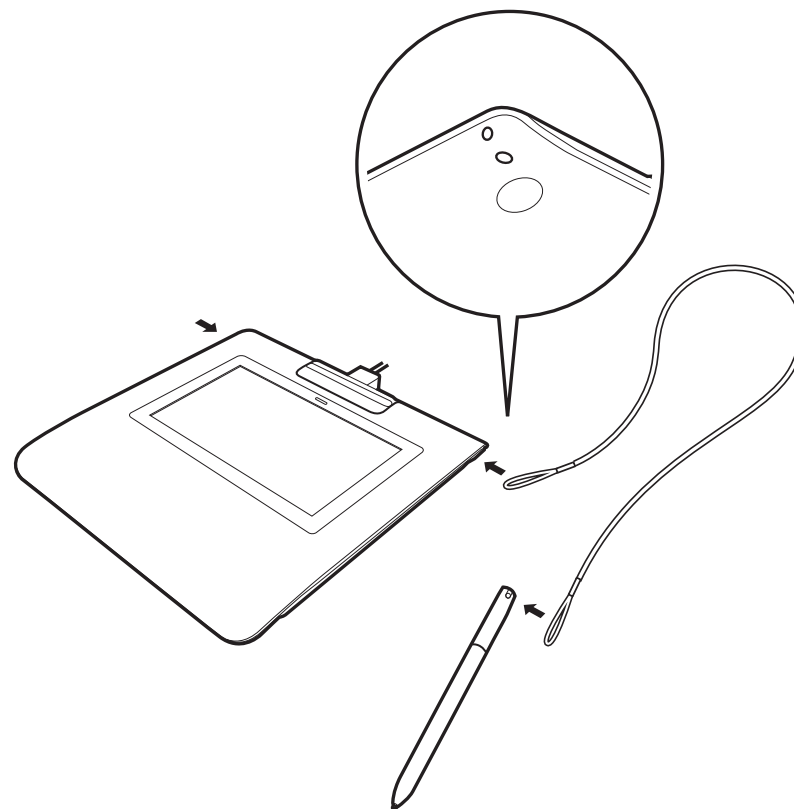


## Portapenna e laccio anticaduta

IT



## Foro del laccio anticaduta della penna





## Registrazione del prodotto

Per l'Europa

Visitare il sito [www.wacom.eu/register](http://www.wacom.eu/register)

## Opzioni di supporto

Per l'Europa

Consultare la sezione per la risoluzione dei problemi nella Guida per l'utente, oppure visitare il nostro sito Web [www.wacom.eu](http://www.wacom.eu)

Il Supporto tecnico è disponibile dal lunedì al venerdì, dalle 09.00 alle 18.00 (CET).

Per informazioni su come contattare il supporto tecnico locale, visitare il sito [www.wacom.eu/contact](http://www.wacom.eu/contact)

IT

## Precauzioni

Seguire le istruzioni, le avvertenze e gli avvertimenti riportati nella presente guida. In caso contrario potrebbero verificarsi danneggiamenti al computer o perdite di dati. Inoltre, la garanzia perderebbe validità e Wacom non si assume alcuna responsabilità relativa alla riparazione o sostituzione del prodotto.

## Avvertenza

Non utilizzare il prodotto in un sistema di controllo che richiede livelli di affidabilità estremamente elevati, in quanto può causare o subire malfunzionamenti se a contatto con altri dispositivi elettronici. Quando è proibito l'uso del prodotto, spegnerlo, per evitare possibili interferenze o malfunzionamenti a contatto con altri dispositivi elettronici. Wacom non accetta alcuna responsabilità per danni diretti o indiretti.

Alta tensione. Non aprire o smontare il prodotto. Quando il corpo dell'unità è aperto potrebbero verificarsi scosse elettriche. Ciò ne invaliderebbe la garanzia e Wacom non si assume alcuna responsabilità per la riparazione o sostituzione del prodotto.

Se il display LCD è stato danneggiato, NON toccare il liquido che potrebbe fuoriuscire poiché è irritante. In caso di contatto con la pelle, gli occhi o la bocca, sciacquare immediatamente la parte con acqua corrente per almeno 15 minuti. In caso di contatto con gli occhi o la bocca, consultare un medico.

Impedire ai bambini di ingerire la punta della penna. I bambini potrebbero accidentalmente estrarre la punta.

## Attenzione

Non utilizzare né conservare il prodotto in ambienti in cui:

- I cambiamenti di temperatura sono bruschi o superano le specifiche (ad es., all'esterno o all'interno di un veicolo).
- Il prodotto e la penna sono esposti alla luce diretta del sole o del calore di un apparecchio, all'acqua o ad altri liquidi.

Non utilizzare il prodotto in ambienti con molta polvere in quanto si potrebbe danneggiare l'unità.

Non smontare la penna, poiché si potrebbero causare malfunzionamenti al dispositivo. In questo caso, Wacom non si assume alcuna responsabilità per la riparazione o sostituzione del prodotto.

Non graffiare lo schermo. Evitare di posizionare oggetti appuntiti sulla superficie dello schermo.

Evitare urti o vibrazioni di natura violenta al prodotto o alla penna. Eventuali colpi o cadute possono danneggiare lo schermo del display o altri componenti.

Non porre oggetti pesanti sul prodotto o esercitare una forza eccessiva su di esso; questo potrebbe danneggiare lo schermo.

Non collocare oggetti pesanti sui cavi del prodotto, non piegare ripetutamente ad angolo i cavi e non applicare forti sollecitazioni sui connettori, in quanto ciò potrebbe danneggiare l'unità o i cavi.

Se la punta della penna diventa appuntita o angolare, potrebbe danneggiare il rivestimento del display. Sostituire la punta della penna, se necessario.

Non esporre il prodotto a scariche elettrostatiche di alta tensione o evitare accumuli di cariche elettrostatiche sul display LCD. Potrebbero formarsi delle macchie momentanee sul monitor LCD. In questo caso, lasciare acceso il display del prodotto e il display dovrebbe tornare normale in poche ore.

## Nota sull'uso del prodotto

### Sostituzione della punta della penna

Per ottenere punte di ricambio della penna, contattare il Wacom Signature Solution Partner di zona.

### Nota sull'uso

Quando il pannello LCD viene utilizzato di continuo per un lungo periodo, rimane una traccia di carica elettrica vicino all'elettrodo all'interno dell'LCD e si potrebbe notare un'immagine residua o "fantasma" dell'immagine precedente (persistenza dell'immagine).

Per evitare questo fenomeno, Wacom consiglia l'uso di un salvaschermo in movimento quando lo schermo è acceso ma inattivo.

### Manutenzione del tablet di firma grafometrica LCD

Mantenere puliti il display LCD e la penna. Polvere e impurità possono depositarsi sulla penna causando un deterioramento della superficie dello schermo. Una pulizia periodica consente di prolungare la durata della superficie del display e della penna. Conservare la tavoletta e la penna in un luogo pulito e asciutto, evitando temperature estreme. È consigliabile mantenerla a temperatura ambiente. Il prodotto e la penna non sono separabili. Il disassemblaggio dei prodotti invalida la garanzia.

### Pulizia

Per pulire il corpo del prodotto o la penna, utilizzare un panno soffice e umido; è anche possibile inumidire il panno con un sapone delicato diluito con acqua. Non utilizzare diluenti per vernice, benzene, alcol o altri solventi per pulire il corpo dell'unità o la penna.

Per pulire lo schermo, utilizzare un panno antistatico o un panno leggermente umido. Durante la pulizia, applicare solo una leggera pressione allo schermo e non lasciar inumidire la superficie. Non utilizzare detergenti per pulire lo schermo; ciò potrebbe danneggiare il rivestimento dello schermo. Notare che danni di questo tipo non sono coperti dalla garanzia del produttore.

## Specifiche del prodotto

### STU-430

#### Specifiche generali

Modello/Marchio	STU-430
Dimensioni (L x P x H)	161,43 x 174,37 x 10,85 mm
Peso	Corpo principale: 0,279 kg, circa
Temperatura e umidità operative	da 5° a 40° C, umidità: dal 30 all'80% (umidità relativa) senza formazione di condensa
Temperatura e umidità di conservazione	da -20 a 60° C, umidità: dal 30% al 90% (umidità relativa) senza formazione di condensa
Cavi di interfaccia	USB tipo A a USB mini-B
Consumo energetico	1,0 W massimo

#### Display

Pannello del display	FSTN Positive Reflective
Dimensioni schermo	4,5 pollici
Numero di pixel	320 x 200
Passo pixel	0,30 (H) x 0,30 (V) mm
Qualità LCD	ciascun pannello LCD viene prodotto secondo norme di qualità molto rigorose. Le tecniche di produzione non garantiscono un display TFT assolutamente privo di difetti. I pixel di Wacom non sono mai solo bianchi o solo neri. Un piccolo numero di pixel può essere di un colore errato per alcune parti dello spettro del colore. Questo non significa che il display sia difettoso.

#### Tavoletta

Tecnologia di lettura	Tecnologia basata su risonanza elettromagnetica
Area attiva	95,985 x 59,985 mm
Risoluzione	2540 lpi o 0,01 mm/pt
Precisione	± 0,5 mm (centro), bordo 1 (20 mm dal bordo del display) pari a ± 2,0 mm, bordo 2 (3 mm dal bordo del display) pari a ± 4,0 mm
Altezza di lettura	5 mm o superiore (centro)
Velocità massima di trasmissione	200 punti/sec.
Livelli di pressione	1024 livelli
Interfaccia di comunicazione	USB

## Altro

Slot di protezione 1

### STU-530

#### Specifiche generali

Modello/Marchio	STU-530
Dimensioni (L x P x H)	161,43 x 174,37 x 10,85 mm
Peso	Corpo principale: 0,289 kg, circa
Temperatura e umidità operative	da 5° a 40° C, umidità: dal 30 all'80% (umidità relativa) senza formazione di condensa
Temperatura e umidità di conservazione	da -20 a 60° C, umidità: dal 30% al 90% (umidità relativa) senza formazione di condensa
Cavi di interfaccia	USB tipo A a USB mini-B
Consumo energetico	2,5 W massimo

#### Display

Pannello del display	Amorphous-TFT-LCD
Dimensioni schermo	5,0 pollici (108,0 x 64,8 mm)
Numero di pixel	800 x 480, WVGA
Passo pixel	0,135 (H) x 0,135 (V) mm
Qualità LCD	ciascun pannello LCD viene prodotto secondo norme di qualità molto rigorose. Le tecniche di produzione non garantiscono un display TFT assolutamente privo di difetti. I pixel di Wacom non sono mai solo bianchi o solo neri. Un piccolo numero di pixel può essere di un colore errato per alcune parti dello spettro del colore. Questo non significa che il display sia difettoso.

#### Tavoletta

Tecnologia di lettura	Tecnologia basata su risonanza elettromagnetica
Area attiva	108,0 x 64,8 mm
Risoluzione	2540 lpi o 0,01 mm/pt
Precisione	± 0,5 mm (centro), bordo 1 (200 mm dal bordo del display) pari a ± 2,0 mm, bordo 2 (3 mm dal bordo del display) pari a ± 4,0 mm
Altezza di lettura	5 mm o superiore (centro)
Velocità massima di trasmissione	200 punti/sec.
Livelli di pressione	1024 livelli
Interfaccia di comunicazione	USB

IT

## Altro

Slot di protezione 1

### Penna UP-610-89A-1

Dimensione fisica (L \* P) 140,5 \* 9,0 mm (5,53 \* 0,35 pollici)

Peso 7 g (0,25 once), circa

Deviazione della punta della penna 0,2 mm (0,04 pollici) circa

IT

## Garanzie

### Garanzia limitata (U.S.A. e Canada)

Wacom garantisce per l'acquirente originario che il prodotto, fatta eccezione per il Software e per le parti soggette a usura quali la batteria, le cartucce, i fogli della tavoletta e le punte della penna, è esente da difetti di materiale e di fabbricazione, in condizioni di uso e manutenzione normali, per un periodo di tre (3) anni dalla data di acquisto originale attestata da una copia della ricevuta e dalla registrazione effettuata presso WACOM entro 30 giorni dalla data di acquisto.

Il Software viene concesso in licenza "così com'è". WACOM non ne garantisce la qualità o le prestazioni. Wacom non garantisce il funzionamento ininterrotto o la correzione di eventuali errori.

Se riscontra un difetto nel prodotto, fatta eccezione per il Software, nel periodo di validità della garanzia, l'utente finale è tenuto a segnalarlo al Supporto tecnico di Wacom tramite telefono, e-mail o fax per ottenere un numero di autorizzazione alla restituzione della merce (RMA - Return Merchandise Authorization) e le istruzioni per la spedizione del prodotto al centro di assistenza indicato da Wacom. L'utente finale dovrà inviare il prodotto, provvedendo al pagamento delle spese di spedizione, al centro di assistenza indicato, allegando il numero di autorizzazione alla restituzione, il nome, il cognome e il numero di telefono, una prova della data di acquisto e una descrizione del difetto riscontrato. Le spese per la restituzione, da parte di United Parcel Service o di servizio equivalente scelto da Wacom, saranno a carico di Wacom.

L'unico obbligo o responsabilità di Wacom previsto dalla presente garanzia è la riparazione oppure la sostituzione, a discrezione della WACOM, del prodotto o della parte difettosi di cui sia stata data comunicazione a Wacom entro il periodo di garanzia; resta comunque inteso che l'utente finale è responsabile per (i) il costo del trasporto fino al centro di assistenza indicato e (ii) per eventuali perdite o danni al prodotto risultanti da tale trasporto.

Wacom non si assume alcuna responsabilità relativa alla riparazione o sostituzione del prodotto se il guasto del prodotto è dovuto a incidenti, abuso, uso improprio, negligenza oppure modifica e riparazione non autorizzate, o se il prodotto è stato maneggiato e custodito in maniera difforme rispetto alle indicazioni in merito fornite da Wacom.

Eventuali descrizioni, disegni, specifiche, esempi, modelli, bollettini o materiali simili, usati in associazione alla vendita del prodotto, non costituiscono una garanzia esplicita che il prodotto sia conforme alle esigenze dell'utente finale.

FATTA ECCEZIONE PER I LIMITI DI GARANZIA SOPRA DESCRITTI, NON ESISTONO ALTRE GARANZIE FORNITE DA WACOM SUL PRESENTE PRODOTTO. NESSUNA COMUNICAZIONE ORALE O SCRITTA O NOTIZIA FORNITA DA WACOM, DAI SUOI RIVENDITORI, DISTRIBUTORI, AGENTI O DIPENDENTI COSTITUIRÀ UNA GARANZIA O IN ALCUN MODO AMPLIERÀ L'AMBITO DELLA PRESENTE GARANZIA E L'UTENTE FINALE NON DOVRÀ FARE AFFIDAMENTO SU TALI COMUNICAZIONI O NOTIZIE.

LA PRESENTE GARANZIA ASSICURA DIRITTI SPECIFICI ALL'UTENTE FINALE, CHE INOLTRE PUÒ GODERE DI ALTRI DIRITTI VARIABILI DA STATO A STATO.

WACOM LIMITA LA DURATA DI EVENTUALI GARANZIE IMPLICITE, INCLUSE LE GARANZIE IMPLICITE DI COMMERCIALIZZAZIONE O CONFORMITÀ AD UN PARTICOLARE SCOPO, ALLA DURATA DELLA GARANZIA ESPRESSA DI WACOM. ALCUNI STATI NON CONSENTONO LIMITAZIONI ALLA DURATA DELLE GARANZIE IMPLICITE, PERTANTO LE LIMITAZIONI SOPRA RIPORTATE POTREBBERO NON ESSERE APPLICABILI.

NÉ WACOM NÉ CHIUNQUE ALTRO ABBAIA PARTECIPATO ALLA CREAZIONE, PRODUZIONE O CONSEGNA DEL PRESENTE PRODOTTO È RESPONSABILE PER EVENTUALI DANNI DIRETTI, CONSEGUENTI O INCIDENTALI (COMPRESI I DANNI PER PERDITA DI PROFITTI, INTERRUZIONE DEL LAVORO, PERDITA DI INFORMAZIONI PROFESSIONALI E SIMILI) DERIVANTI DALL'USO DI O DALLA IMPOSSIBILITÀ D'USO DI TALE PRODOTTO, ANCHE NEL CASO IN CUI WACOM SIA STATA AVVISATA DELLA POSSIBILITÀ DI TALI DANNI. POICHÉ ALCUNI STATI NON CONSENTONO L'ESCLUSIONE O LIMITAZIONE DELLA RESPONSABILITÀ PER I DANNI ACCIDENTALI O CONSEGUENTI, LA LIMITAZIONE SOPRA RIPORTATA POTREBBE NON ESSERE APPLICABILE.

Nel caso in cui una delle limitazioni sopra riportate non sia applicabile, la responsabilità di Wacom per gli eventuali danni subiti dall'utente finale o altra parte non supererà il prezzo di acquisto pagato dall'utente finale, indipendentemente dalla forma di qualsiasi reclamo.

La presente garanzia limitata è regolata dalle leggi vigenti negli Stati Uniti d'America e nello stato di Washington.

La presente garanzia limitata è valida esclusivamente per i prodotti acquistati (e si applica soltanto ai medesimi) e utilizzati all'interno degli Stati Uniti (e relativi territori o possedimenti) e del Canada.

## Assistenza in garanzia

Per ottenere il servizio di garanzia negli Stati Uniti e in Canada, contattare:

Wacom Customer Care Center

Tel.: 1.360.896.9833

Modulo informazioni via e-mail: <http://www.wacom.com/productsupport/email.cfm>

In caso di dubbi relativi al presente Accordo o se si desidera contattare Wacom per qualsiasi altro motivo, utilizzare la forma scritta:

Wacom Technology Corporation

1311 SE Cardinal Court  
Vancouver, Washington 98683  
U.S.A.

## Garanzia limitata (America Centrale, Sud America e Caraibi)

Wacom garantisce per l'acquirente originario che il prodotto, fatta eccezione per il Software e per le parti soggette a usura quali la batteria, le cartucce, i fogli della tavoletta e le punte della penna, è esente da difetti di materiale e di fabbricazione, in condizioni di uso e manutenzione normali, per un periodo di tre (3) anni dalla data di acquisto originale attestata da una copia della ricevuta e dalla registrazione effettuata presso WACOM entro 30 giorni dalla data di acquisto.

Il Software viene concesso in licenza "così com'è". WACOM non ne garantisce la qualità o le prestazioni. Wacom non garantisce il funzionamento ininterrotto o la correzione di eventuali errori.

Se riscontra un difetto nel prodotto, fatta eccezione per il Software, nel periodo di validità della garanzia, l'utente finale è tenuto a segnalarlo al Supporto tecnico di Wacom tramite telefono, e-mail o fax per ottenere un numero di autorizzazione alla restituzione della merce (RMA - Return Merchandise Authorization) e le istruzioni per la spedizione del prodotto al centro di assistenza indicato da Wacom. L'utente finale dovrà inviare il prodotto, provvedendo al pagamento delle spese di spedizione, al centro di assistenza indicato, allegando il numero di autorizzazione alla restituzione, il nome, il cognome e il numero di telefono, una prova della data di acquisto e una descrizione del difetto riscontrato. Le spese per la restituzione, da parte di United Parcel Service o di servizio equivalente scelto da Wacom, saranno a carico di Wacom.

L'unico obbligo o responsabilità di Wacom previsto dalla presente garanzia è la riparazione oppure la sostituzione, a discrezione della WACOM, del prodotto o della parte difettosa di cui sia stata data comunicazione a Wacom entro il periodo di garanzia; resta comunque inteso che l'utente finale è responsabile per (i) il costo del trasporto fino al centro di assistenza indicato e (ii) per eventuali perdite o danni al prodotto risultanti da tale trasporto.

Wacom non si assume alcuna responsabilità relativa alla riparazione o sostituzione del prodotto se il guasto del prodotto è dovuto a incidenti, abuso, uso improprio, negligenza oppure modifica e riparazione non autorizzate, o se il prodotto è stato maneggiato e custodito in maniera difforme rispetto alle indicazioni in merito fornite da Wacom.

Eventuali descrizioni, disegni, specifiche, esempi, modelli, bollettini o materiali simili, usati in associazione alla vendita del prodotto, non costituiscono una garanzia esplicita che il prodotto sia conforme alle esigenze dell'utente finale.

FATTA ECCEZIONE PER I LIMITI DI GARANZIA SOPRA DESCRITTI, NON ESISTONO ALTRE GARANZIE FORNITE DA WACOM SUL PRESENTE PRODOTTO. NESSUNA COMUNICAZIONE ORALE O SCRITTA O NOTIZIA FORNITA DA WACOM, DAI SUOI RIVENDITORI, DISTRIBUTORI, AGENTI O DIPENDENTI COSTITUIRÀ UNA GARANZIA O IN ALCUN MODO AMPLIERÀ L'AMBITO DELLA PRESENTE GARANZIA E L'UTENTE FINALE NON DOVRÀ FARE AFFIDAMENTO SU TALI COMUNICAZIONI O NOTIZIE.

LA PRESENTE GARANZIA ASSICURA DIRITTI SPECIFICI ALL'UTENTE FINALE, CHE INOLTRE PUÒ GODERE DI ALTRI DIRITTI VARIABILI DA PAESE A PAESE.

WACOM LIMITA LA DURATA DI EVENTUALI GARANZIE IMPLICITE, INCLUSE LE GARANZIE IMPLICITE DI COMMERCIALIZZAZIONE O CONFORMITÀ AD UN PARTICOLARE SCOPO, ALLA DURATA DELLA GARANZIA ESPRESSA DI WACOM. ALCUNI STATI NON AMMETTONO LIMITAZIONI ALLA DURATA DELLE GARANZIE IMPLICITE, PERTANTO LE LIMITAZIONI SOPRA RIPORTATE POTREBBERO NON ESSERE APPLICABILI AL CASO SPECIFICO.

NÉ WACOM NÉ CHIUNQUE ALTRO ABBIÀ PARTECIPATO ALLA CREAZIONE, PRODUZIONE O CONSEGNA DEL PRESENTE PRODOTTO È RESPONSABILE PER EVENTUALI DANNI DIRETTI, CONSEGUENTI O INCIDENTALI (COMPRESI I DANNI PER PERDITA DI PROFITTI, INTERRUZIONE DEL LAVORO, PERDITA DI INFORMAZIONI PROFESSIONALI E SIMILI) DERIVANTI DALL'USO DI O DALLA IMPOSSIBILITÀ D'USO DI TALE PRODOTTO, ANCHE NEL CASO IN CUI WACOM SIA STATA AVVISATA DELLA POSSIBILITÀ DI TALI DANNI. POICHÉ ALCUNI STATI NON AMMETTONO L'ESCLUSIONE O LA LIMITAZIONE DELLA RESPONSABILITÀ PER I DANNI ACCIDENTALI O CONSEGUENTI, LA LIMITAZIONE SOPRA RIPORTATA POTREBBE NON ESSERE APPLICABILE AL CASO SPECIFICO.

Nel caso in cui una delle limitazioni sopra riportate non sia applicabile, la responsabilità di Wacom per gli eventuali danni subiti dall'utente finale o altra parte non supererà il prezzo di acquisto pagato dall'utente finale, indipendentemente dalla forma di qualsiasi reclamo.

La presente garanzia limitata è regolata dalle leggi vigenti negli Stati Uniti d'America e nello stato di Washington.

La presente garanzia limitata è valida e si applica esclusivamente ai prodotti acquistati e utilizzati in America Centrale, Sud America e nei Caraibi.

## Assistenza in garanzia

Per ottenere l'assistenza in garanzia in America Centrale, Sud America o Caraibi, contattare il rivenditore o il distributore di zona.

Wacom Customer Care Center

Spagnolo: <http://www.wacom.com/sp/productsupport/email.cfm>

Portoghese: <http://www.wacom.com/pr/productsupport/email.cfm>

In caso di dubbi relativi al presente Accordo o se si desidera contattare Wacom per qualsiasi altro motivo, utilizzare la forma scritta:

Wacom Technology Corporation  
1311 SE Cardinal Court  
Vancouver, Washington 98683  
U.S.A.

## Garanzia limitata (Europa, Africa e Medio Oriente)

WACOM garantisce all'utente, in qualità di acquirente originario (di seguito denominato "Utente" o "Cliente") l'esenzione da difetti di materiale, fabbricazione e elaborazione dell'hardware del prodotto, in condizioni di uso e manutenzione normali, per un periodo coperto da garanzia di TRE (3) ANNI,

a partire dalla data di acquisto sempre che il prodotto sia rimasto effettivamente inutilizzato fino al momento dell'acquisto. I difetti a carico delle parti soggette a usura (ad es. punte della penna, superfici della tavoletta e batterie) frutto di normale usura, sono esenti da garanzia. WACOM garantisce inoltre che i supporti di dati forniti con i prodotti sono esenti da difetti di materiale e fabbricazione in condizioni di uso normale, per un periodo di SEI (6) MESI dalla data di acquisto.

Se, nel corso del periodo di applicazione della garanzia, il prodotto risulta essere difettoso (software escluso), dovrà essere reso immediatamente al rivenditore nell'imballaggio originale, completo di nome, indirizzo e numero telefonico, descrizione del problema e copia della prova d'acquisto originale. Il cliente è responsabile per qualsiasi danno o perdita del prodotto durante il trasferimento al luogo di acquisto a tale scopo.

Unico obbligo e sola responsabilità di WACOM previsti dalla presente garanzia sono, a discrezione di WACOM, la riparazione o la sostituzione del prodotto o delle parti che risultino difettose e che vengano restituite entro il periodo di garanzia applicabile.

WACOM non è tenuta a restituire o sostituire il prodotto se: (a) il guasto del prodotto è dovuto a incidenti, abuso, uso improprio, negligenza oppure modifica e riparazione non autorizzate; (b) il prodotto è stato maneggiato e custodito in maniera non conforme alle indicazioni fornite da WACOM; (c) se il guasto è attribuibile a normale usura oppure d) se il numero di serie apposto da WACOM è stato rimosso o reso illeggibile.

Descrizioni, disegni, specifiche, esempi, modelli, comunicazioni o materiale simile fornito all'acquisto del prodotto non sono da considerarsi garanzia esplicita di corrispondenza del prodotto o di soddisfazione dei requisiti del prodotto.

Rimane invariata la garanzia ai sensi di legge. L'utente ha facoltà di denunciare difetti del prodotto in conformità con le disposizioni di legge pertinenti.

La responsabilità di WACOM sarà limitata esclusivamente a se stessa e ai propri agenti rappresentanti in caso di violazione colposa di un'obbligazione contrattuale sostanziale, tale da compromettere pesantemente gli scopi del contratto o se il danno è causato da atti intenzionali oppure omissioni o negligenza grave. Si definisce obbligazione contrattuale sostanziale un'obbligazione essenziale per la corretta esecuzione del contratto sul quale generalmente si basa la controparte. Se la violazione colposa di tale obbligazione contrattuale sostanziale non è da imputarsi a intenzionalità o negligenza grave, la responsabilità di una parte sarà limitata ai danni tipici per il contratto e che erano ragionevolmente prevedibili al momento della stipula del medesimo. Se i Termini e le Condizioni presenti precludono o limitano la responsabilità, si applicano anche alla responsabilità personale dei funzionari operativi della parte interessata, dei dipendenti, degli agenti e dei subappaltatori. Restano invariate le disposizioni della legge sulla responsabilità (Produkthaftungsgesetz).

Se, in seguito a verifica di un reclamo presentato ai sensi della presente garanzia, dovesse emergere che non è compreso nel periodo di validità o non è coperto dalla garanzia o che il prodotto non è difettoso, il cliente dovrà rimborsare a WACOM le spese associate.

Questa garanzia limitata è applicabile se la sede legale dell'azienda venditrice si trova nell'Unione Europea oppure in Islanda, Norvegia, Jersey, Svizzera, Russia, Ucraina, Croazia, Serbia, Tunisia, Turchia, Siria, Libano, Giordania, Israele, Egitto, Emirati Arabi Uniti, Iran o Sudafrica. La presente garanzia è soggetta alla legge della Repubblica Federale di Germania. La Convenzione delle Nazioni Unite sui contratti di vendita internazionale di merci è esplicitamente esclusa dal presente contratto. La città di Krefeld, Germania, è l'unico foro competente per qualsiasi reclamo originato dalla presente relazione contrattuale e qualsiasi disputa tra le parti avente origine dalla formazione, gestione o dallo scioglimento della relazione contrattuale, a condizione che il cliente sia un rivenditore, una persona giuridica di diritto pubblico o un fondo speciale di diritto pubblico. La clausola attributiva di competenza si applica anche a quei clienti che non rientrano nella giurisdizione della Germania. La clausola attributiva di competenza non si applica se, a causa di disposizioni legali, è necessario determinare una diversa giurisdizione per il caso specifico.

WACOM è inoltre autorizzata a intraprendere un'azione legale contro le sedi del cliente.

Se una qualsiasi delle clausole riportate nel presente contratto di garanzia limitata viene dichiarata priva di validità, il contratto resterà pienamente in vigore e valido sotto tutti gli altri aspetti. In questo caso la clausola ritenuta inefficace sarà sostituita dalla disposizione che più le si avvicina per contenuti. In caso di dubbi sul presente accordo o se si desidera mettersi in contatto con WACOM per qualsiasi altro motivo, è sufficiente scrivere al seguente indirizzo:

WACOM Europe GmbH  
Europark Fichtenhain A9  
47807 Krefeld  
GERMANIA

## Garanzia limitata (Asia/Pacifico)

Wacom Co., Ltd. garantisce all'acquirente originario che il prodotto è esente da difetti di materiale e fabbricazione, in condizioni di uso e manutenzione normali, per un periodo di un (1) anno dalla data di acquisto originale attestata da una copia della ricevuta (prova di acquisto).

Il Software viene concesso in licenza "così com'è". WACOM non ne garantisce la qualità o le prestazioni né offre altre garanzie. Wacom non garantisce il funzionamento ininterrotto o la correzione di eventuali errori. Wacom non fornisce inoltre alcuna garanzia per le parti soggette a usura quali la batteria, le cartucce della penna, la foglia trasparente della tavoletta e le punte della penna.

Se riscontra un difetto nel prodotto, fatta eccezione per il Software, nel Periodo di validità della garanzia, il titolare della garanzia deve contattare il rivenditore originale per ottenere le istruzioni per la restituzione del prodotto da sottoporre a riparazione o sostituzione. Wacom e i suoi partner non sono obbligati a rimborsare spedizioni prepagate non autorizzate.

Il titolare della garanzia non è tenuto al pagamento delle spese di spedizione tra la sede del rivenditore e la sede di riparazione o sostituzione.

Unico obbligo e sola responsabilità di Wacom ai sensi della presente garanzia è la riparazione o la sostituzione, a discrezione di Wacom, del prodotto difettoso o di sue parti di cui sia stata data comunicazione a Wacom entro il Periodo di validità della garanzia.

Wacom non si assume alcuna responsabilità per la riparazione o sostituzione del prodotto se il guasto del prodotto è dovuto a cause di forza maggiore, inclusi, in via esemplificativa, incendio, disastro naturale o fatalità, ad abuso intenzionale o accidentale, uso improprio, negligenza, modifica o riparazione non autorizzata, utilizzo del prodotto in modo diverso da quanto spiegato nella Guida per l'utente o se il prodotto è stato maneggiato o custodito in maniera non conforme alle indicazioni fornite da Wacom.

Eventuali descrizioni, disegni, specifiche, esempi, modelli, bollettini o materiali simili, usati in associazione alla vendita del prodotto, non costituiscono una garanzia esplicita che il prodotto sia conforme alle esigenze dell'utente finale.

FATTA ECCEZIONE PER I LIMITI DI GARANZIA SOPRA DESCRITTI, NON ESISTONO ALTRE GARANZIE FORNITE DA WACOM SUL PRESENTE PRODOTTO. NESSUNA COMUNICAZIONE ORALE O SCRITTA O NOTIZIA FORNITA DA WACOM, DAI SUOI RIVENDITORI, DISTRIBUTORI, AGENTI O DIPENDENTI COSTITUIRÀ UNA GARANZIA O IN ALCUN MODO AMPLIERÀ L'AMBITO DELLA PRESENTE GARANZIA E L'UTENTE FINALE NON DOVRÀ FARE AFFIDAMENTO SU TALI COMUNICAZIONI O NOTIZIE. LA PRESENTE GARANZIA ASSICURA DIRITTI SPECIFICI ALL'UTENTE FINALE, CHE INOLTRE PUÒ GODERE DI ALTRI DIRITTI VARIABILI DA PAESE A PAESE.

WACOM LIMITA LA DURATA DI EVENTUALI GARANZIE IMPLICITE, INCLUSE LE GARANZIE IMPLICITE DI COMMERCIALIZZAZIONE O CONFORMITÀ A UN PARTICOLARE SCOPO, ALLA DURATA DELLA GARANZIA ESPRESSA DI WACOM.

ALCUNI STATI NON AMMETTONO LIMITAZIONI ALLA DURATA DELLE GARANZIE IMPLICITE, PERTANTO LE LIMITAZIONI SOPRA RIPORTATE POTREBBERO NON ESSERE APPLICABILI AL CASO SPECIFICO.

NÉ WACOM NÉ CHIUNQUE ALTRO ABBIÀ PARTECIPATO ALLA CREAZIONE, PRODUZIONE O CONSEGNA DEL PRESENTE PRODOTTO È RESPONSABILE PER EVENTUALI DANNI DIRETTI, CONSEGUENTI O INCIDENTALI (COMPRESI I DANNI PER PERDITA DI PROFITTI, INTERRUZIONE DEL LAVORO, PERDITA DI INFORMAZIONI PROFESSIONALI E SIMILI) DERIVANTI DALL'USO DI O DALLA IMPOSSIBILITÀ D'USO DI TALE PRODOTTO, ANCHE NEL CASO IN CUI WACOM SIA STATA AVVISATA DELLA POSSIBILITÀ DI TALI DANNI. POICHÉ ALCUNI STATI NON AMMETTONO L'ESCLUSIONE O LA LIMITAZIONE DELLA RESPONSABILITÀ PER I DANNI ACCIDENTALI O CONSEGUENTI, LA LIMITAZIONE SOPRA RIPORTATA POTREBBE NON ESSERE APPLICABILE AL CASO SPECIFICO.

Nel caso in cui una delle limitazioni sopra riportate non sia applicabile, la responsabilità di Wacom per gli eventuali danni subiti dall'utente finale o altra parte non supererà il prezzo di acquisto pagato dall'utente finale, indipendentemente dalla forma dell'eventuale reclamo.

La presente garanzia limitata è valida e si applica esclusivamente ai prodotti acquistati e utilizzati nei paesi e nei territori dell'Asia/Pacifico, esclusi Giappone, Repubblica Popolare Cinese, Hong Kong e paesi del Medio Oriente.

La presente dichiarazione costituisce la garanzia attuale della divisione Asia/Pacifico di Wacom Co., Ltd. e ha precedenza su tutte le altre dichiarazioni di garanzia contenute nella confezione, in opuscoli, manuali e così via.

Tale Garanzia limitata è regolata dalle leggi vigenti in Giappone ed è soggetta a modifiche senza preavviso.

Legge australiana a tutela dei consumatori I prodotti Wacom vengono forniti con garanzie che non possono essere escluse ai sensi della legge australiana a tutela dei consumatori. L'utente ha diritto alla sostituzione o al rimborso in caso di guasto rilevante e al risarcimento per eventuali altre perdite o danni ragionevolmente prevedibili. L'utente ha inoltre diritto alla riparazione o alla sostituzione della merce nel caso in cui la qualità sia inaccettabile e il problema non sia un guasto rilevante. I prodotti hardware di Wacom sono accompagnati da una garanzia di un (1) anno fornita da Wacom Co., Ltd. con una consociata situata presso Wacom Australia Pty. Ltd. Ground floor, Building 1,3 Richardson Place, North Ryde, NSW, 2113 Australia Se i prodotti dell'utente non forniscono le caratteristiche e le funzioni generali descritte nella documentazione per l'utente nel periodo di un (1) anno dalla consegna, contattare Wacom Australia Pty. Ltd. al numero +61-29422-6700 comunicando i dati del prodotto, il numero di serie e la prova di acquisto. Potrebbe essere richiesto di inviare il prodotto all'indirizzo fornito al momento, nel cui caso le spese di tale spedizione saranno a carico dell'utente. I benefici ai sensi della presente garanzia sono in aggiunta ad altri diritti e rimedi eventualmente previsti dalla legge.

Assistenza in garanzia / Supporto tecnico Wacom in Asia/Pacifico (esclusi Giappone, Repubblica Popolare Cinese, Hong Kong e paesi del Medio Oriente). I dettagli della polizza di garanzia limitata e la registrazione del prodotto per l'Asia/Pacifico sono disponibili online all'indirizzo <http://www.wacom.asia/customer-care>

Per usufruire del servizio di garanzia o del supporto tecnico nei paesi dell'Asia sud-orientale e meridionale, in Oceania e a Taiwan, contattare il servizio di assistenza tecnica Wacom. I numeri di telefono sono disponibili a questo indirizzo:

<http://wacom-wapcc.com/inquiry/create>

In caso di dubbi relativi al presente Accordo o se si desidera contattare Wacom per qualsiasi altro motivo, utilizzare il modulo disponibile nella pagina Web

<http://wacom-wapcc.com/inquiry/create>

## INFORMAZIONI SULLO SMALTIMENTO E IL RICICLAGGIO

### ROHS UE

I prodotti Wacom sono conformi alla Direttiva RoHS dell'Unione Europea 2002/95/CE (Direttiva RoHS).

### INFORMAZIONI UE SULLO SMALTIMENTO (WEEE)



Riutilizzo, riciclaggio e recupero. In caso di sostituzione del presente prodotto con una versione più recente o al termine della durata di utilizzo del prodotto stesso, siete pregati di riciclarlo smaltendolo in un centro di raccolta per materiali riciclabili presente nel vostro comune o nella vostra regione.

Così facendo, contribuirete al miglioramento dell'ambiente, riducendo al minimo i potenziali effetti negativi causati da sostanze pericolose che potrebbero essere presenti nei materiali di scarto e che potrebbero andare disperse nell'ambiente durante il processo di smaltimento.

All'interno dell'Unione Europea, gli utenti non possono smaltire rifiuti di apparecchiature elettriche ed elettroniche (RAEE) come rifiuti comunali non differenziati, come indicato nella Direttiva 2002/96/CE del Parlamento Europeo e del Consiglio Europeo del 27 gennaio 2003, o dalla legislazione corrispondente nei singoli Stati Membri. I prodotti per cui è applicabile tale direttiva saranno contrassegnati con il simbolo WEEE, mostrato all'inizio della presente nota, fatta eccezione per i prodotti le cui dimensioni e/o funzioni non siano compatibili con suddetto simbolo. I prodotti Wacom sono soggetti alla Direttiva 2002/96/CE, e pertanto devono sempre essere smaltiti separatamente e portati in un centro di raccolta idoneo presente nel vostro comune o nella vostra regione.



## DICHIARAZIONI DI CONFORMITÀ

### DICHIARAZIONE CE

I prodotti Wacom (STU-430, STU-530) sono conformi alle direttive seguenti:

Direttiva 2004/108/CE sulla compatibilità elettromagnetica

Le norme e i test europei armonizzati, su cui si basano le valutazioni dei prodotti per la presente dichiarazione, sono disponibili sul sito web Wacom (<http://www.wacom.eu/certificates>).

Alla luce di tali test, Wacom indica la conformità alla suddetta direttiva apponendo il marchio CE sui prodotti sopra menzionati.

I prodotti devono essere installati e utilizzati sempre nel rispetto delle istruzioni fornite nel presente documento (Importanti informazioni sul prodotto) e nella Guida per l'utente.

Qualsiasi modifica a questo prodotto, non specificatamente autorizzata da Wacom, invaliderà questa dichiarazione.

IT

## Información importante

Los siguientes elementos proporcionan ayuda e información de servicio técnico para el producto.

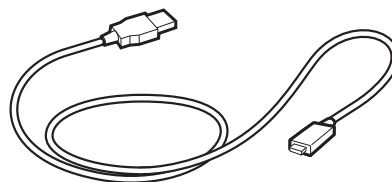
Ayuda e información de servicio técnico	Descripción
Guía de arranque rápido (esta guía)	Proporciona una descripción general del STU-430 y el STU-530. Incluye información acerca de la conexión y el uso del producto. Además, contiene precauciones, especificaciones de productos y otra información importante. Lea esta información atentamente antes de utilizar el producto.

ES

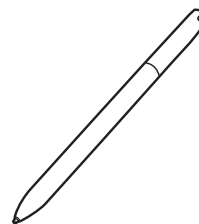
## Accesorios incluidos



Sujeción para lápiz



Cable USB (3 m)



Lápiz

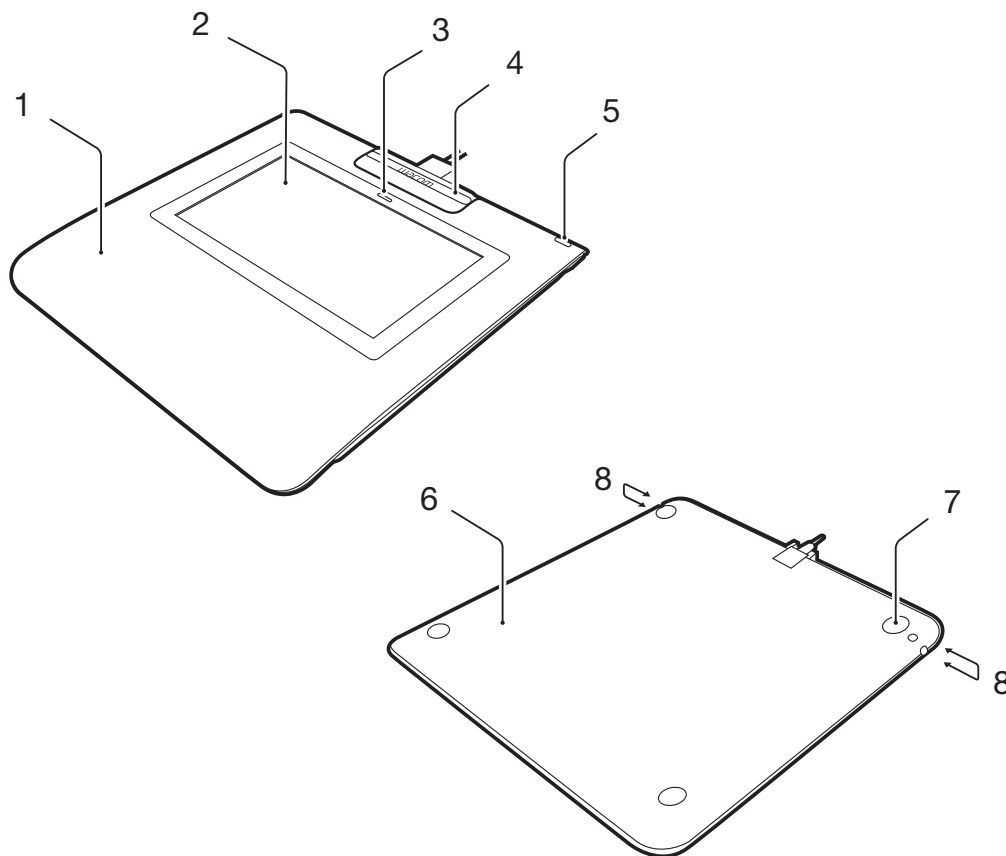


Guía de arranque rápido

ES

## Aspectos básicos del producto

1. Carcasa delantera
2. Área de firma
3. LED
4. Portalápices
5. Ranura para bloqueo de seguridad
6. Carcasa posterior
7. Pies
8. Orificio para la sujeción para lápiz

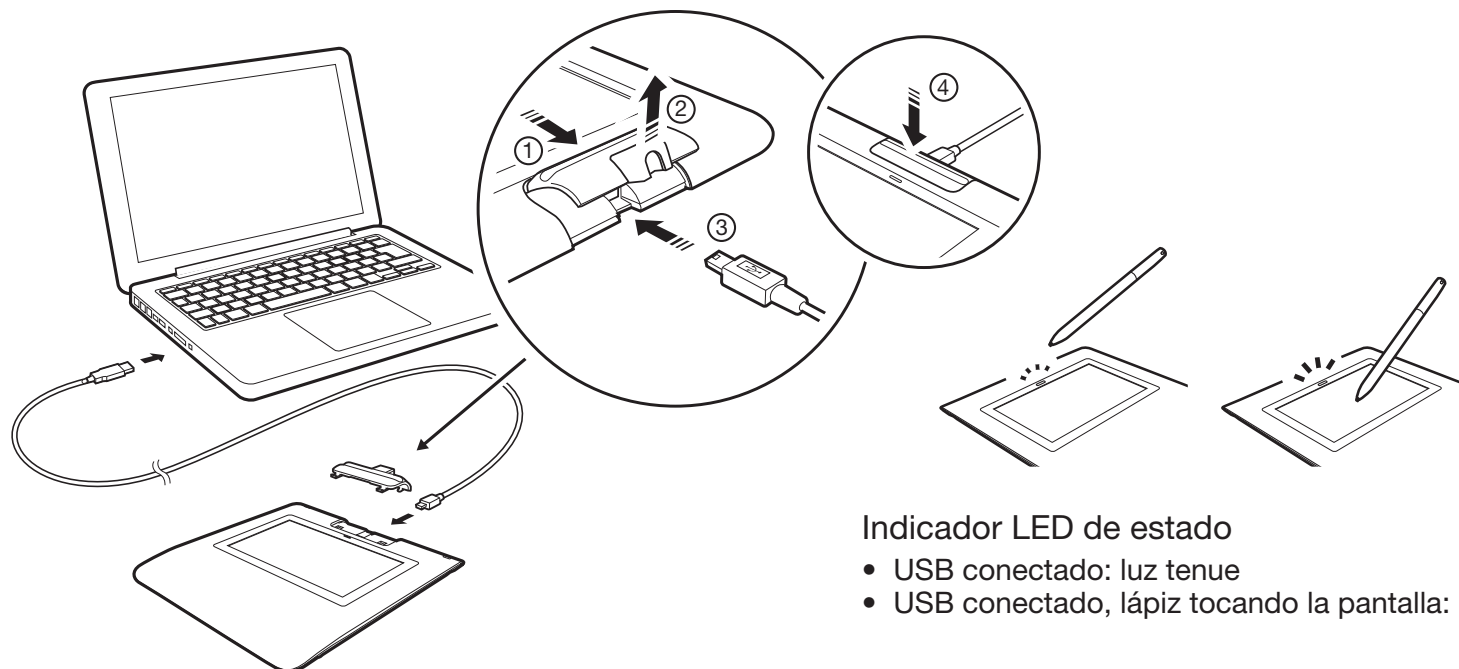


ES

## Conexión del producto al ordenador

1. Apague el ordenador.
2. Enchufe el conector USB en un puerto USB libre del ordenador.

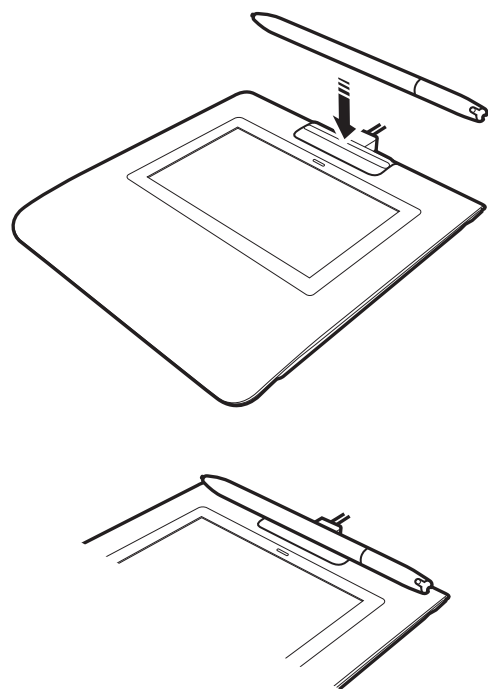
Antes de conectar el cable USB a la tableta de firmas, el portalápices se debe retirar para exponer el conector. Para ello, deslice el portalápices hacia la parte superior de la tableta de firmas y, a continuación, levántelo. Una vez que el cable USB esté conectado, el portalápices se puede volver a bloquear en su lugar (el portalápices se ha diseñado para fijar el cable USB y evitar que se desconecte accidentalmente).



### Indicador LED de estado

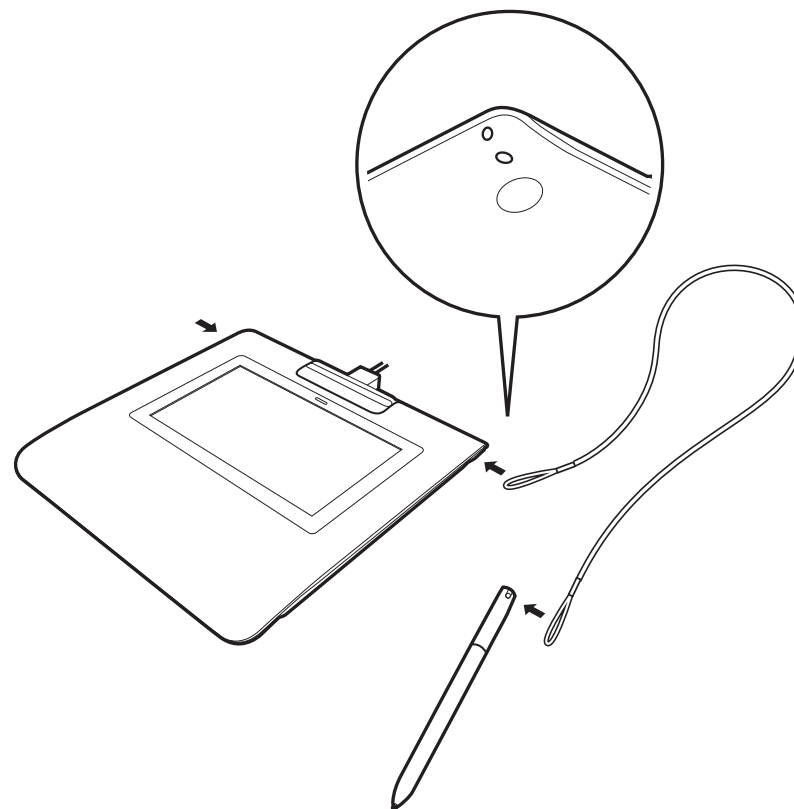
- USB conectado: luz tenue
- USB conectado, lápiz tocando la pantalla: luz azul

## Portalápices y sujeción para lápiz



ES

## Orificio para la sujeción para lápiz



## Registro del producto

Para EE. UU., Canadá, Centroamérica y Sudamérica  
Vaya a [www.wacom.com/support/product-registration](http://www.wacom.com/support/product-registration)

Para Europa  
Vaya a [www.wacom.eu/register](http://www.wacom.eu/register)

## Opciones de asistencia

Para EE. UU., Canadá, Centroamérica y Sudamérica

Si desea obtener la información más reciente y las actualizaciones del controlador, visite [www.wacom.com](http://www.wacom.com), consulte el Manual del usuario o póngase en contacto con Atención al cliente en [www.wacom.com/support](http://www.wacom.com/support)

Para Europa

Compruebe la sección Resolución de problemas del Manual del usuario o visite nuestro sitio Web en [www.wacom.eu](http://www.wacom.eu). El servicio técnico está disponible de lunes a viernes de 9:00 a 18:00, (hora de Europa Central). Visite [www.wacom.eu/contact](http://www.wacom.eu/contact) para obtener los datos de contacto del servicio técnico en su país.

ES

## Precauciones

Asegúrese de respetar todas las instrucciones, precauciones y advertencias de la presente guía. De lo contrario, puede perder datos o provocar daños en el ordenador. Si no las respeta, podría anularse la garantía, en cuyo caso Wacom no asumirá responsabilidad alguna sobre la reparación o sustitución del producto.

## Advertencia

No utilice el producto en un sistema de control de instalaciones en el que sea necesaria una fiabilidad extremadamente alta; puede provocar el funcionamiento erróneo de otros dispositivos electrónicos, u otros dispositivos pueden provocar que el producto funcione de forma incorrecta. Si su uso está prohibido, apague el producto para evitar la posibilidad de que provoque el funcionamiento incorrecto de otros dispositivos electrónicos. Wacom no acepta ninguna responsabilidad de daños directos o resultantes.

Alto voltaje. No abra ni desmonte el producto. Si abre la carcasa existe riesgo de descarga eléctrica. Del mismo modo, esto anulará la garantía y Wacom no asumirá responsabilidad alguna sobre la reparación o sustitución del producto.

Si la pantalla LCD está dañada, NO toque ningún líquido en caso de fuga; se trata de un líquido irritante. En caso de contacto con la piel, los ojos o la boca, enjuague inmediatamente con agua corriente durante al menos 15 minutos. En caso de contacto con los ojos o con la boca, consulte con el médico.

No permita que los niños se traguen la punta del lápiz. La punta del lápiz puede extraerse accidentalmente si los niños lo muerden.

## Precaución

No utilice ni guarde el producto en lugares donde:

- Los cambios de temperatura sean bruscos o superen las especificaciones (por ejemplo, en el exterior o dentro de un vehículo).
- El producto y el lápiz queden expuestos a la luz directa del sol o al calor de un aparato eléctrico, así como al agua o a cualquier otro tipo de líquido.

No utilice el producto en un entorno con polvo, ya que podría dañarse la unidad.

No desmonte el lápiz. Podría causar una avería del dispositivo. En tal caso, Wacom no asumirá responsabilidad alguna sobre la reparación o sustitución del producto.

No arañe la pantalla. Evite colocar objetos afilados sobre su superficie.

Evite cualquier golpe o vibración intensos del producto o del lápiz. Cualquier golpe o caída puede dañar la pantalla u otros componentes del producto.

No coloque artículos pesados sobre el producto ni presione con gran fuerza sobre él; podría dañar la pantalla.

No coloque artículos pesados sobre el cableado del producto, no doble continuamente los cables ni aplique una gran fuerza sobre los conectores de cable. Podría dañar la unidad o el cableado.

Si la punta del lápiz está afilada o con ángulos, podría dañar la película protectora de la pantalla. Sustituya la punta del lápiz si fuese necesario.

No exponga el producto a descargas electrostáticas de alta tensión ni a la creación de carga electrostática en la pantalla LCD. Podría dar lugar a manchas temporales en el monitor LCD. Si se producen manchas, deje la pantalla del producto encendida y desaparecerán en unas pocas horas.

## Nota sobre el uso de este producto

### Sustitución de la punta del lápiz

Para la sustitución de las puntas del lápiz, póngase en contacto con su Wacom Signature Solution Partner.

### Nota acerca del uso

Cuando se utiliza el panel LCD de forma continua durante un largo periodo de tiempo, queda un rastro de carga eléctrica cerca del electrodo en el interior de la pantalla LCD y es posible que se observe una imagen residual o "fantasma" de la imagen anterior (persistencia de imagen).

Para evitar la persistencia de imagen, Wacom recomienda el uso de un protector de pantalla móvil cuando la pantalla está encendida pero inactiva.

### Cuidado de la tableta de firmas LCD

Mantenga el lápiz y la superficie de la pantalla LCD limpios. El polvo y las partículas de suciedad se pueden adherir al lápiz y desgastar la superficie de la pantalla. Una limpieza regular le ayudará a prolongar la vida del lápiz y la pantalla LCD. Mantenga el lápiz y la tableta en un lugar limpio, seco y evite temperaturas extremas. Lo ideal es un lugar a temperatura ambiente. El producto y el lápiz no se pueden desmontar. Si desmonta el producto, se anulará la garantía.

### Limpieza

Para limpiar la carcasa del producto o el lápiz, use un paño suave húmedo; también puede humedecer el paño en un detergente muy suave diluido con agua. No utilice disolventes, benceno o alcohol para limpiar la carcasa de la unidad o el lápiz.

Para limpiar la pantalla, utilice un paño antiestático o un paño ligeramente húmedo. Al limpiar la pantalla, no ejerza demasiada presión ni deje empapada la superficie. No utilice detergentes para limpiar la pantalla, ya que podría dañar la película protectora. Tenga en cuenta que este tipo de daños no los cubre la garantía del fabricante.



## Especificaciones del producto

### STU-430

#### Especificaciones generales

Modelo/Marca	STU-430
Dimensiones (An. x Pr. x Al.)	161,43 x 174,37 x 10,85 mm
Peso	Carcasa principal: 0,279 kg, aproximadamente
Temperatura y humedad de funcionamiento	De 5 a 40 °C, humedad: del 30% al 80% de humedad relativa (sin condensación)
Temperatura y humedad de almacenamiento	De -20 a 60 °C, Humedad: del 30% al 90% de humedad relativa (sin condensación)
Cables de interfaz	USB tipo A a USB mini-B
Consumo de energía	1,0 W máximo

#### Pantalla

Panel de pantalla	FSTN Positive Reflective
Tamaño de pantalla	4,5 pulgadas
Número de píxeles	320 x 200
Paso de píxel	0,30 (H) x 0,30 (V) mm
Calidad LCD	Cada uno de los paneles LCD se ha fabricado según unos estándares de calidad muy exigentes. Las técnicas de producción no pueden garantizar una pantalla TFT absolutamente perfecta. Wacom no permite que ningún píxel quede siempre blanco. Se permite que un pequeño número de píxeles muestre un color incorrecto en algunas partes del espectro de color. Esto no significa que la pantalla sea defectuosa.

#### Tableta de lápiz

Tecnología de lectura	Tecnología de resonancia electromagnética
Área activa	95,985 x 59,985 mm
Resolución	2540 lpp o 0,01 mm/punto
Precisión	± 0,5 mm (centro), área del extremo 1 (20 mm de ancho desde el extremo de la zona de pantalla) ± 2,0 mm, área del extremo 2 (3 mm de ancho desde el extremo de la zona de pantalla) ± 4,0 mm
Altura de lectura	5 mm o más (centro)

Velocidad máxima de lectura	200 puntos/s
Niveles de presión	1024 niveles
Interfaz de comunicaciones	USB

### Otros

Ranura de seguridad	1
---------------------	---

### STU-530

#### Especificaciones generales

Modelo/Marca	STU-530
Dimensiones (An. x Pr. x Al.)	161,43 x 174,37 x 10,85 mm
Peso	Carcasa principal: 0,289 kg aproximadamente
Temperatura y humedad de funcionamiento	De 5 a 40 °C, humedad: del 30% al 80% de humedad relativa (sin condensación)
Temperatura y humedad de almacenamiento	De -20 a 60 °C, Humedad: del 30% al 90% de humedad relativa (sin condensación)
Cables de interfaz	USB tipo A a USB mini-B
Consumo de energía	2,5 W máximo

#### Pantalla

Panel de pantalla	Amorphous-TFT-LCD
Tamaño de pantalla	5,0 pulgadas (108,0 x 64,8 mm)
Número de píxeles	800 x 480, WVGA
Paso de píxel	0,135 (H) x 0,135 (V) mm
Calidad LCD	Cada uno de los paneles LCD se ha fabricado según unos estándares de calidad muy exigentes. Las técnicas de producción no pueden garantizar una pantalla TFT absolutamente perfecta. Wacom no permite que ningún píxel quede siempre blanco. Se permite que un pequeño número de píxeles muestre un color incorrecto en algunas partes del espectro de color. Esto no significa que la pantalla sea defectuosa.

#### Tableta de lápiz

Tecnología de lectura	Tecnología de resonancia electromagnética
Área activa	108,0 x 64,8 mm
Resolución	2540 lpp o 0,01 mm/punto

ES

Precisión	± 0,5 mm (centro), área del extremo 1 (20 mm de ancho desde el extremo de la zona de pantalla) ± 2,0 mm, área del extremo 2 (3 mm de ancho desde el extremo de la zona de pantalla) ± 4,0 mm
Altura de lectura	5 mm o más (centro)
Velocidad máxima de lectura	200 puntos/s
Niveles de presión	1024 niveles
Interfaz de comunicaciones	USB

## Otros

Ranura de seguridad	1
---------------------	---

## Lápiz UP-610-89A-1

Dimensiones (An * Pr)	140,5 * 9,0 mm (5,53 * 0,35 in)
Peso	7 g (0,25 oz), aproximadamente
Distancia de la punta del lápiz	0,2 mm (0,04 pulg.) aproximadamente

ES

## Garantías

### Garantía limitada (EE.UU. y Canadá)

Wacom garantiza al comprador original y consumidor del producto la ausencia de defectos en materiales y mano de obra del producto, excepto el software y los artículos consumibles como la batería, los cartuchos de lápiz, la hoja para tableta y las minas de lápiz. Esto será en condiciones de uso y funcionamiento normales durante tres (3) años a partir de la fecha de la compra original, siempre que se demuestre con una copia del recibo y del registro con Wacom en un plazo de 30 días a partir de la compra.

Se otorga licencia para el Software "tal cual". Wacom no otorga ninguna garantía en cuanto a calidad o rendimiento. Wacom no puede garantizar un servicio ininterrumpido ni la subsanación de posibles errores.

Si se descubre un defecto en el producto, excepto en el Software, dentro del período de garantía, se debe poner en contacto con el servicio técnico de Wacom por teléfono, correo electrónico o fax para obtener un número de RMA (Autorización de devolución de mercancía) e instrucciones para enviar el producto a una ubicación de servicio designada por Wacom. Deberá enviar el producto, pagando los gastos de envío, a la ubicación de servicio designada, acompañado del número de autorización de devolución (RMA), nombre, dirección y número de teléfono, prueba de la fecha de compra y una descripción del defecto. Wacom pagará la devolución que enviará por United Parcel Service (UPS) o por un servicio equivalente que Wacom elija.

La única obligación y exclusiva responsabilidad de Wacom con arreglo a esta garantía consistirá en reparar o sustituir, a elección de Wacom, el producto defectuoso o piezas del mismo de las que se haya notificado a Wacom durante el período de garantía, siempre y cuando el usuario se haga responsable de (i) el coste de transporte del producto a la ubicación de servicio designada y (ii) toda pérdida o daño que el producto pudiese sufrir durante dicho transporte.

Wacom no tendrá la obligación de reparar ni sustituir el producto si el fallo del producto se debe a un accidente, uso indebido o inadecuado, negligencia o modificación o reparación no autorizados, o si el producto no ha sido manipulado o almacenado de acuerdo con las instrucciones de Wacom.

Los materiales como descripciones, dibujos, especificaciones, muestras, modelos, boletines o materiales similares utilizados en relación con la venta del producto no podrán ser interpretados como garantía explícita de que el producto se ajustará a, o cumplirá, los requisitos del cliente.

A EXCEPCIÓN DE LA GARANTÍA LIMITADA DESCRITA ANTERIORMENTE, WACOM NO CONCEDE NINGUNA OTRA GARANTÍA PARA ESTE PRODUCTO. NINGUNA INFORMACIÓN O CONSEJO VERBAL O ESCRITO QUE DÉ WACOM, SUS REPRESENTANTES, DISTRIBUIDORES, AGENTES O EMPLEADOS CREARÁ UNA GARANTÍA O EN NINGÚN CASO AMPLIARÁ EL ÁMBITO DE LA PRESENTE GARANTÍA Y EL USUARIO NO PODRÁ BASARSE EN DICHA INFORMACIÓN O CONSEJO.

ESTA GARANTÍA LE OTORGA DERECHOS LEGALES ESPECÍFICOS Y PUEDE TENER OTROS QUE VARIAN DE UN ESTADO A OTRO.

WACOM LIMITA LA DURACIÓN DE CUALQUIER GARANTÍA LEGALMENTE IMPLÍCITA, INCLUIDAS GARANTÍAS IMPLÍCITAS DE COMERCIABILIDAD O IDONEIDAD PARA UN FIN PARTICULAR, A LA DURACIÓN DE LA GARANTÍA EXPLÍCITA DE WACOM. ALGUNOS ESTADOS NO PERMITEN LIMITACIONES A LA DURACIÓN DE UNA GARANTÍA IMPLÍCITA, POR LO TANTO, ES POSIBLE QUE LA LIMITACIÓN ANTERIOR NO SEA APLICABLE EN SU CASO.

NI WACOM NI OTRA PERSONA IMPLICADA EN LA CREACIÓN, PRODUCCIÓN O ENTREGA DE ESTE PRODUCTO SERÁN RESPONSABLES POR DAÑO ALGUNO YA SEA DIRECTO, RESULTANTE O INDIRECTO (INCLUIDOS DAÑOS DE PÉRDIDA DE BENEFICIOS COMERCIALES, INTERRUPCIÓN DE NEGOCIO, PÉRDIDA DE INFORMACIÓN COMERCIAL Y SIMILARES) QUE SURJA DEL USO O INCAPACIDAD PARA USAR DICHO PRODUCTO, AUNQUE SE HAYA AVISADO A WACOM DE LA POSIBILIDAD DE DICHOS DAÑOS. ALGUNOS ESTADOS NO PERMITEN LA LIMITACIÓN DE RESPONSABILIDAD POR DAÑOS RESULTANTES, POR LO TANTO, ES POSIBLE QUE LA LIMITACIÓN O EXCLUSIÓN ANTERIOR NO SEA APLICABLE EN SU CASO.

En caso de que alguna de las limitaciones anteriores no se pueda cumplir, la responsabilidad de Wacom por cualquier daño realizado a usted o a cualquier parte no excederá el precio de compra pagado, sin tener en cuenta la forma de cualquier reclamación.

Esta garantía limitada se registrará por las leyes de los Estados Unidos de América y el estado de Washington.

Esta garantía limitada es válida y sólo se aplica a productos adquiridos y utilizados dentro de EE.UU. (y sus territorios o posesiones) o Canadá.

## Servicio de garantía

Para obtener el servicio de garantía dentro de los EE. UU. o Canadá, póngase en contacto con:

Centro de atención al cliente de Wacom

Teléfono: +1.360.896.9833

Formulario de consultas por correo electrónico:  
<http://www.wacom.com/productsupport/email.cfm>

Si tiene alguna pregunta relacionada con el presente Acuerdo, o desea ponerse en contacto con Wacom por cualquier otra razón, escriba a la siguiente dirección:

Wacom Technology Corporation

1311 SE Cardinal Court  
Vancouver, Washington 98683  
EE.UU.

## Garantía limitada (América central, Sudamérica y el Caribe)

Wacom garantiza al comprador original y consumidor del producto la ausencia de defectos en materiales y mano de obra del producto, excepto el software y los artículos consumibles como la batería, los cartuchos de lápiz, la hoja para tableta y las minas de lápiz. Esto será en condiciones de uso y funcionamiento normales durante tres (3) años a partir de la fecha de la compra original, siempre que se demuestre con una copia del recibo y del registro con Wacom en un plazo de 30 días a partir de la compra.

Se otorga licencia para el Software "tal cual". Wacom no otorga ninguna garantía en cuanto a calidad o rendimiento. Wacom no puede garantizar un servicio ininterrumpido ni la subsanación de posibles errores.

Si se descubre un defecto en el producto, excepto en el Software, dentro del período de garantía, se debe poner en contacto con el servicio técnico de Wacom por teléfono, correo electrónico o fax para obtener un número de RMA (Autorización de devolución de mercancía) e instrucciones para enviar el producto a una ubicación de servicio designada por Wacom. Deberá enviar el producto, pagando los gastos de envío, a la ubicación de servicio designada, acompañado del número de autorización de devolución (RMA), nombre, dirección y número de teléfono, prueba de la fecha de compra y una descripción del defecto. Wacom pagará la devolución que enviará por United Parcel Service (UPS) o por un servicio equivalente que Wacom elija.

La única obligación y exclusiva responsabilidad de Wacom con arreglo a esta garantía consistirá en reparar o sustituir, a elección de Wacom, el producto defectuoso o piezas del mismo de las que se haya notificado a Wacom durante el período de garantía, siempre y cuando el usuario se haga responsable de (i) el coste de transporte del producto a la ubicación de servicio designada y (ii) toda pérdida o daño que el producto pudiere sufrir durante dicho transporte.

Wacom no tendrá la obligación de reparar ni sustituir el producto si el fallo del producto se debe a un accidente, uso indebido o inadecuado, negligencia o modificación o reparación no autorizados, o si el producto no ha sido manipulado o almacenado de acuerdo con las instrucciones de Wacom.

Los materiales como descripciones, dibujos, especificaciones, muestras, modelos, boletines o materiales similares utilizados en relación con la venta del producto no podrán ser interpretados como garantía explícita de que el producto se ajustará a, o cumplirá, los requisitos del cliente.

A EXCEPCIÓN DE LA GARANTÍA LIMITADA DESCRITA ANTERIORMENTE, WACOM NO CONCEDE NINGUNA OTRA GARANTÍA PARA ESTE PRODUCTO. NINGUNA INFORMACIÓN O CONSEJO VERBAL O ESCRITO QUE DÉ WACOM, SUS REPRESENTANTES, DISTRIBUIDORES, AGENTES O EMPLEADOS CREARÁ UNA GARANTÍA O EN NINGÚN CASO AMPLIARÁ EL ÁMBITO DE LA PRESENTE GARANTÍA Y EL USUARIO NO PODRÁ BASARSE EN DICHA INFORMACIÓN O CONSEJO.

ESTA GARANTÍA LE OTORGA DERECHOS LEGALES ESPECÍFICOS Y PUEDE TENER OTROS QUE VARIAN DE UN PAÍS A OTRO.

ES

WACOM LIMITA LA DURACIÓN DE CUALQUIER GARANTÍA LEGALMENTE IMPLÍCITA, INCLUIDAS GARANTÍAS IMPLÍCITAS DE COMERCIABILIDAD O IDONEIDAD PARA UN FIN PARTICULAR, A LA DURACIÓN DE LA GARANTÍA EXPLÍCITA DE WACOM. ALGUNOS PAÍSES NO PERMITEN LIMITACIONES A LA DURACIÓN DE UNA GARANTÍA IMPLÍCITA, POR LO TANTO, ES POSIBLE QUE LA LIMITACIÓN ANTERIOR NO SEA APLICABLE EN SU CASO.

NI WACOM NI OTRA PERSONA IMPLICADA EN LA CREACIÓN, PRODUCCIÓN O ENTREGA DE ESTE PRODUCTO SERÁN RESPONSABLES POR DAÑO ALGUNO YA SEA DIRECTO, RESULTANTE O INDIRECTO (INCLUIDOS DAÑOS DE PÉRDIDA DE BENEFICIOS COMERCIALES, INTERRUPCIÓN DE NEGOCIO, PÉRDIDA DE INFORMACIÓN COMERCIAL Y SIMILARES) QUE SURJA DEL USO O INCAPACIDAD PARA USAR DICHO PRODUCTO, AUNQUE SE HAYA AVISADO A WACOM DE LA POSIBILIDAD DE DICHOS DAÑOS. ALGUNOS PAÍSES NO PERMITEN LA LIMITACIÓN DE RESPONSABILIDAD POR DAÑOS RESULTANTES, POR LO TANTO, ES POSIBLE QUE LA LIMITACIÓN O EXCLUSIÓN ANTERIOR NO SEA APLICABLE EN SU CASO.

En caso de que alguna de las limitaciones anteriores no se pueda cumplir, la responsabilidad de Wacom por cualquier daño realizado a usted o a cualquier parte no excederá el precio de compra pagado, sin tener en cuenta la forma de cualquier reclamación.

Esta garantía limitada se regirá por las leyes de los Estados Unidos de América y el estado de Washington.

Esta garantía limitada es válida y aplicable únicamente a los productos adquiridos y utilizados en América Central, Sudamérica o El Caribe.

ES

## Servicio de garantía

Para obtener un servicio de garantía en América Central, Sudamérica o el Caribe, póngase en contacto con el distribuidor o proveedor local.

Centro de atención al cliente de Wacom

Español: <http://www.wacom.com/sp/productsupport/email.cfm>

Portugués: <http://www.wacom.com/pr/productsupport/email.cfm>

Si tiene alguna pregunta relacionada con el presente Acuerdo, o desea ponerse en contacto con Wacom por cualquier otra razón, escriba a la siguiente dirección:

Wacom Technology Corporation  
1311 SE Cardinal Court  
Vancouver, Washington 98683  
EE.UU.

## Garantía limitada (Europa, África y Oriente Medio)

WACOM le garantiza a usted, como comprador inicial, (en lo sucesivo, "usted" o "el cliente") que el producto de hardware se mantendrá libre de defectos de materiales y fabricación en condiciones de uso y servicio normales durante un período de garantía de TRES (3) AÑOS,

a partir de la fecha de compra, siempre que el producto no se hubiera utilizado antes del momento de la compra. Los defectos en las partes sometidas a desgaste (p. ej. las puntas de los lápices, las hojas de tableta y las baterías) a consecuencia del desgaste normal quedan exentos de garantía. Además, WACOM garantiza que los soportes de datos entregados con el producto no presentan defectos materiales ni errores de fabricación bajo el uso normal durante un período de SEIS (6) MESES a partir de la fecha de compra.

Si durante el período de garantía correspondiente se descubriese que el producto (excepto el software) presenta defecto alguno, debe devolverse inmediatamente al establecimiento de compra en su embalaje original, junto con su nombre, dirección y número de teléfono, una descripción del problema y una copia del recibo original. El cliente será responsable de cualquier posible daño o pérdida del producto durante su traslado al lugar de compra con el objetivo anteriormente citado.

La única obligación y exclusiva responsabilidad de Wacom con respecto a esta garantía consiste en reparar o sustituir, a elección de Wacom, el producto o piezas del mismo que resulten defectuosas y se hubieran devuelto dentro del período de garantía aplicable.

WACOM no garantiza la reparación o sustitución del producto si: (a) los daños en el producto son resultado de un accidente, falta de uso, uso inadecuado, negligencia o alteración o reparación no autorizada; (b) el producto no se ha manipulado o almacenado según las instrucciones de WACOM; (c) los daños son resultado del desgaste normal de las piezas del producto; d) se ha borrado o resulta ilegible el número de serie asignado por WACOM.

Cualquier descripción, dibujo, especificación, muestra, modelo, notificación o material similar suministrado en relación con la compra del producto, no se considerará garantía explícita de que el producto satisface o cumple los requisitos del cliente.

La garantía aplicable por ley no se ve afectada. Puede reclamar por los defectos del producto, según las leyes correspondientes.

WACOM solo será responsable por sí misma y sus agentes indirectos en el caso de infracción de una obligación material contractual de forma que ponga en peligro la finalidad del contrato o si el perjuicio se debe a acciones intencionales, omisiones o negligencia grave. Una obligación material contractual es aquella que resulta esencial para el adecuado cumplimiento del contrato y de la que la otra parte normalmente depende. En caso de que la infracción de dicha obligación material contractual no sea intencionada ni se deba a una negligencia grave, la responsabilidad de una parte se limitará a los perjuicios que estén relacionados con el contrato y que fueran razonablemente previsibles en el momento de la suscripción de este. En los puntos en los que estos términos y condiciones excluyen o limitan la responsabilidad, eso también se aplica a la responsabilidad personal de los directivos, empleados, agentes y subcontratistas de la parte en cuestión. Las estipulaciones de la ley de responsabilidad sobre el producto (Produkthaftungsgesetz) no se ven afectadas.

Si cuando se compruebe una reclamación realizada bajo esta garantía, se descubre que se ha producido fuera del período de tiempo permitido, que no está contemplada en la garantía, o que el producto no tiene defectos, el cliente compensará a WACOM los costes correspondientes.

La presente garantía limitada será de aplicación si la sede del proveedor se encuentra en la UE o en Islandia, Noruega, Jersey, Suiza, Rusia, Ucrania, Croacia, Serbia, Túnez, Turquía, Siria, Líbano, Jordán, Israel, Egipto, Emiratos Árabes Unidos, Irán o Sudáfrica. Esta garantía se rige por la ley de Alemania. No obstante, se excluye explícitamente la aplicabilidad de la Convención de las Naciones Unidas sobre contratos de compraventa internacional de mercaderías. La ciudad de Krefeld (Alemania) será la única jurisdicción para todas las reclamaciones resultantes de esta relación contractual y todas las disputas entre las partes que resulten de la formación, el manejo o la finalización de dicha relación contractual, siempre y cuando el cliente sea un agente comercial, una entidad o un fondo legal según el derecho público. El acuerdo de jurisdicción será asimismo aplicable a los clientes cuyo ámbito legal habitual no sea Alemania. El acuerdo de jurisdicción tampoco será aplicable si, debido a las disposiciones legales, ha de establecerse un único ámbito de jurisdicción distinto para el caso.

Además, WACOM está autorizado a emprender procesos judiciales contra la sede del cliente.

Si una de las disposiciones de esta garantía limitada resultara nula, ello no afectará a la validez del resto de las disposiciones, ni en parte ni en su totalidad. Si una de las disposiciones no fuese válida, se aplicaría en su lugar la regulación legal permisible más similar a la no válida. Si tiene alguna pregunta acerca del contrato o le gustaría ponerse en contacto con WACOM por cualquier otro motivo, escribanos a la siguiente dirección:

WACOM Europe GmbH  
Europark Fichtenhain A9  
47807 Krefeld  
ALEMANIA

## Garantía limitada (Región de Asia-Pacífico)

Wacom Co., Ltd. garantiza al comprador original y consumidor del producto la ausencia de defectos en materiales y mano de obra del hardware en condiciones de uso y funcionamiento normales durante el periodo de un (1) año a partir de la fecha original de compra, siempre que se demuestre con una copia del recibo (prueba de compra).

Se otorga licencia para el Software "tal cual". Wacom no otorga ninguna garantía en cuanto a calidad, rendimiento u otros. Wacom no puede garantizar un servicio ininterrumpido ni la subsanación de posibles errores. Además, Wacom no otorga garantías a artículos consumibles como la batería, los cartuchos de lápiz, la hoja para tableta y las puntas de lápiz.

Si se descubre un defecto en el producto, excepto en el software, dentro del período de garantía, se debe poner en contacto con el distribuidor del que adquirió el producto original para obtener instrucciones y enviar el producto para su reparación o sustitución. Wacom y sus socios no se verán obligados a reembolsar los gastos de envíos no autorizados.

El titular de la garantía no está obligado a pagar los gastos de envío entre el lugar original de la compra y el lugar de la reparación o la sustitución.

La única obligación y exclusiva responsabilidad de Wacom con respecto a esta garantía consistirá en reparar o sustituir, a elección de Wacom, el producto defectuoso o las piezas del mismo que resulten defectuosas y se hubieran devuelto dentro del período de garantía aplicable.

Wacom no tendrá la obligación de reparar ni sustituir el producto si el fallo del producto se debe a motivos de fuerza mayor incluidos, entre otros, incendios, desastres naturales, accidentes y casos fortuitos; abuso accidental o intencionado, uso inadecuado, negligencia, modificación o reparación no autorizados, el uso del producto con fines distintos a los establecidos en la presente guía del usuario, o si el producto no ha sido manipulado o almacenado de acuerdo con las instrucciones de Wacom.

Los materiales como descripciones, dibujos, especificaciones, muestras, modelos, boletines o materiales similares utilizados en relación con la venta del producto no podrán ser interpretados como garantía explícita de que el producto se ajustará a, o cumplirá, los requisitos del cliente.

A EXCEPCIÓN DE LA GARANTÍA LIMITADA DESCRITA ANTERIORMENTE, WACOM NO CONCEDE NINGUNA OTRA GARANTÍA PARA ESTE PRODUCTO. NINGUNA INFORMACIÓN O CONSEJO VERBAL O ESCRITO QUE DÉ WACOM, SUS REPRESENTANTES, DISTRIBUIDORES, AGENTES O EMPLEADOS CREARÁ UNA GARANTÍA O EN NINGÚN CASO AMPLIARÁ EL ÁMBITO DE LA PRESENTE GARANTÍA Y EL USUARIO NO PODRÁ BASARSE EN DICHA INFORMACIÓN O CONSEJO. ESTA GARANTÍA LE OTORGA DERECHOS LEGALES ESPECÍFICOS Y PUEDE TENER OTROS QUE VARIAN DE UN PAÍS A OTRO.

WACOM LIMITA LA DURACIÓN DE CUALQUIER GARANTÍA LEGALMENTE IMPLÍCITA, INCLUIDAS GARANTÍAS IMPLÍCITAS DE COMERCIABILIDAD O IDONEIDAD PARA UN FIN PARTICULAR, A LA DURACIÓN DE LA GARANTÍA EXPLÍCITA DE WACOM.

ALGUNOS PAÍSES NO PERMITEN LIMITACIONES A LA DURACIÓN DE UNA GARANTÍA IMPLÍCITA, POR LO TANTO, ES POSIBLE QUE LA LIMITACIÓN ANTERIOR NO SEA APLICABLE EN SU CASO.

NI WACOM NI OTRA PERSONA IMPLICADA EN LA CREACIÓN, PRODUCCIÓN O ENTREGA DE ESTE PRODUCTO SERÁN RESPONSABLES POR DAÑO ALGUNO YA SEA DIRECTO, RESULTANTE O INDIRECTO (INCLUIDOS DAÑOS DE PÉRDIDA DE BENEFICIOS COMERCIALES, INTERRUPTIÓN DE NEGOCIO, PÉRDIDA DE INFORMACIÓN COMERCIAL Y SIMILARES) QUE SURJA DEL USO O INCAPACIDAD PARA USAR DICHO PRODUCTO, AUNQUE SE HAYA AVISADO A WACOM DE LA POSIBILIDAD DE DICHOS DAÑOS. ALGUNOS PAÍSES NO PERMITEN LA LIMITACIÓN DE RESPONSABILIDAD POR DAÑOS RESULTANTES, POR LO TANTO, ES POSIBLE QUE LA LIMITACIÓN O EXCLUSIÓN ANTERIOR NO SEA APLICABLE EN SU CASO.

ES

En caso de que alguna de las limitaciones anteriores no se pueda cumplir, la responsabilidad de Wacom por cualquier daño causado al usuario o a cualquier parte no excederá el precio de compra, sin tener en cuenta la forma de la reclamación.

Esta garantía limitada es válida y aplicable únicamente a los productos adquiridos y utilizados en los países y territorios de Asia-Pacífico, excepto Japón, la República Popular de China, Hong Kong, y los países de Oriente Medio.

Esta garantía limitada es una declaración de la política de garantía actual de la División de Asia-Pacífico de Wacom Co., Ltd. y tiene preferencia sobre el resto de condiciones de garantía que aparecen en envases, folletos, manuales, etc.

Esta garantía limitada se registrará por las leyes de Japón y está sujeta a cambios sin previo aviso.

Ley de protección al consumidor de Australia Nuestros productos cuentan con garantías que no pueden ser excluidas en virtud de la Ley desde protección al usuario de Australia. Usted tiene derecho a solicitar la sustitución o el reembolso del producto en caso de fallos graves, así como a una indemnización en concepto de daños o pérdidas razonablemente previsibles. Asimismo, tiene derecho a la reparación o a la sustitución del producto en el caso de que el mismo no ofrezca un nivel de calidad aceptable y el fallo no revista gran gravedad. Nuestros productos de hardware cuentan con una garantía de un (1) año ofrecida por Wacom Co., Ltd. con una filial ubicada en Wacom Australia Pty. Ltd. Ground floor, Building 1,3 Richardson Place, North Ryde, NSW, 2113 Australia Si sus productos no ofrecen las características y funciones generales descritas en la presente Documentación de usuario en el período de un (1) año a partir de su adquisición, póngase en contacto con Wacom Australia Pty. Ltd. en el teléfono +61-29422-6700 e indique los detalles de su producto, el número de serie y la prueba de compra. Tenga en cuenta que es posible que tenga que enviar el producto de hardware a la dirección que le indiquemos en dicho momento. En ese caso, los gastos de devolución correrán por su propia cuenta. Los beneficios de esta garantía son adicionales al resto de derechos y recursos que resulten de aplicación por ley.

Servicio de garantía y Servicio técnico de Wacom de la región de Asia-Pacífico (excepto Japón, la República Popular de China, Hong Kong, y los países de Oriente Medio) Puede encontrar información detallada sobre la política de la garantía y el registro del producto en Asia-Pacífico en <http://www.wacom.asia/customer-care>

Para obtener asistencia técnica o servicio de garantía en el sureste y el sur de Asia, Oceanía y Taiwán, póngase en contacto con el Servicio de atención al cliente de Wacom. Aquí encontrará los números de teléfono correspondientes:

<http://wacom-wapcc.com/inquiry/create>

Si desea formular cualquier pregunta relacionada con el presente Acuerdo, o ponerse en contacto con Wacom por cualquier otra razón, escriba a la siguiente dirección:

<http://wacom-wapcc.com/inquiry/create>

## INFORMACIÓN SOBRE ELIMINACIÓN Y RECICLAJE

### ROHS EN LA UE

Los productos de Wacom cumplen la directiva 2002/95/CE sobre restricciones a la utilización de determinadas sustancias peligrosas en aparatos eléctricos y electrónicos de la Unión Europea.

### INFORMACIÓN SOBRE ELIMINACIÓN EN LA UE (WEEE)



Reutilización, reciclado y recuperación. Le recomendamos que recicle este producto cuando lo sustituya por uno nuevo o cuando haya pasado su período de vida útil.

Para ello, llévelo a un punto de recogida de materiales para reciclaje de su localidad o comarca. Al hacerlo, ayudará a mejorar el medioambiente de su localidad, así como a reducir los posibles efectos negativos que se produzcan por cualquier sustancia presente en los materiales de desecho que entre en contacto con el medioambiente durante el proceso de eliminación.

En la Unión Europea, los usuarios no deben desechar equipos electrónicos y eléctricos (WEEE) como un vertido municipal, según lo estipulado en la directiva 2002/96/CE del Parlamento Europeo y del Consejo de Europa del 27 de enero de 2003, o en las leyes locales correspondientes de cada estado miembro. Los productos a los que se les aplica esta instrucción están marcados con el símbolo WEEE que aparece al principio de esta nota, a menos que no sea posible por el tamaño o la función del producto. Los productos Wacom están sujetos a la directiva 2002/96/CE y, por tanto, deberá separarlos y llevarlos al punto de recogida adecuado de su localidad o provincia.

**LA(S) LÁMPARA(S) HG QUE FORMAN PARTE DE ESTE PRODUCTO CONTIENEN MERCURIO Y SE DEBEN RECICLAR O DESECHAR EN CONFORMIDAD CON LAS LEYES LOCALES, ESTATALES O FEDERALES.**

El monitor interactivo STU-430, STU-630 tiene una lámpara de retroiluminación que contiene mercurio (HG). Asegúrese de desecharla debidamente y de llevar a cabo la eliminación de esta unidad en conformidad con las ordenanzas y leyes que rijan en su localidad.

## PROGRAMA DE RESIDUOS ELECTRÓNICOS DE ESTADOS UNIDOS

Wacom Technology, en calidad de fabricante de monitores electrónicos, está sujeto a cumplir por completo la legislación de varios Estados concerniente a los residuos electrónicos. Para mayor información acerca de los lugares de recolección y los programas de reciclamiento que se llevan a cabo en todos los Estados Unidos, por favor, visite la página: <http://www.wacom.com/eWaste> o llame al teléfono 1-800-922-6613

## DECLARACIONES DE CONFORMIDAD

### NOTA DE LA FCC

Este equipo cumple el apartado 15 de la normativa FCC. Su funcionamiento está sujeto a las dos condiciones siguientes: (1) este dispositivo no puede causar interferencias dañinas, y (2) este dispositivo debe aceptar cualquier interferencia recibida, incluso aquellas que puedan causar un funcionamiento no deseado.

Este equipo ha sido sometido a pruebas y se ha comprobado que cumple con los límites establecidos para los dispositivos digitales de la Clase B de acuerdo con el apartado 15 de la normativa FCC. Estos límites se han diseñado para evitar las interferencias dañinas en instalaciones residenciales.

Este equipo genera, utiliza y puede emitir energía de frecuencia de radio y, si no se instala y utiliza conforme a las instrucciones que se proporcionan, puede causar interferencias que afecten a las comunicaciones por radio. Sin embargo, no se puede garantizar que no se produzcan interferencias en una instalación determinada.

Para determinar si el equipo está produciendo interferencias, desconéctelo del ordenador. Si la interferencia desaparece, es probable que se debiera al equipo.

Si el equipo causa interferencias en la recepción de radio o televisión, intente corregirlas adoptando una o varias de las siguientes medidas:

- Gire la antena de la radio o de la televisión hasta que desaparezca la interferencia.
- Aleje el equipo de la radio o la televisión.
- Enchufe el equipo y el ordenador a una toma que se encuentre en un circuito diferente al de la radio o la televisión.

Si lo considera necesario, consulte a su distribuidor autorizado de Wacom o a un técnico especialista en radio y televisión.

Los cambios o modificaciones realizados en este producto sin autorización de Wacom podrían anular la certificación FCC y negarle la autorización para utilizar el producto.

## DECLARACIÓN DE LA CE

Los productos Wacom, (STU-430, STU-530) cumplen las siguientes directivas:

Directiva 2004/108/EC de CEM Las normas y las pruebas armonizadas europeas utilizadas para evaluar los productos de esta declaración se pueden consultar en el sitio web de Wacom (<http://www.wacom.eu/certificates>).

Basándose en los resultados de dichas pruebas, Wacom indica este cumplimiento mediante el emblema CE en los productos anteriormente mencionados.

Los productos tienen que instalarse y utilizarse siempre según las instrucciones proporcionadas en el texto "Información importante sobre el producto" (este documento) y en el manual del usuario.

Cualquier cambio o modificación realizado en este producto que no haya sido expresamente autorizado por Wacom anulará esta declaración.

ES

## Informações importantes

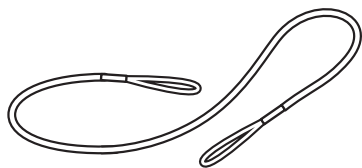
O item a seguir provê ajuda e informações de suporte sobre o produto.

Informações para obter ajuda e suporte	Descrição
Guia de inicialização rápida (este guia)	Fornece uma visão geral do STU-430 e do STU-530. Inclui informações sobre como conectar e usar o produto. Você também encontrará informações sobre precauções, especificações do produto e outros dados importantes. Leia estas informações na íntegra antes de usar.

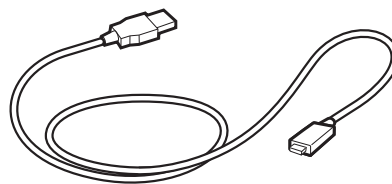
PT-BR



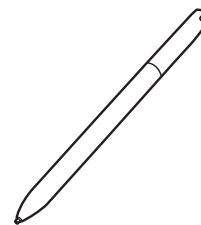
## Acessórios fornecidos



Cabo de fixação para a caneta



Cabo USB (3 m)



Caneta

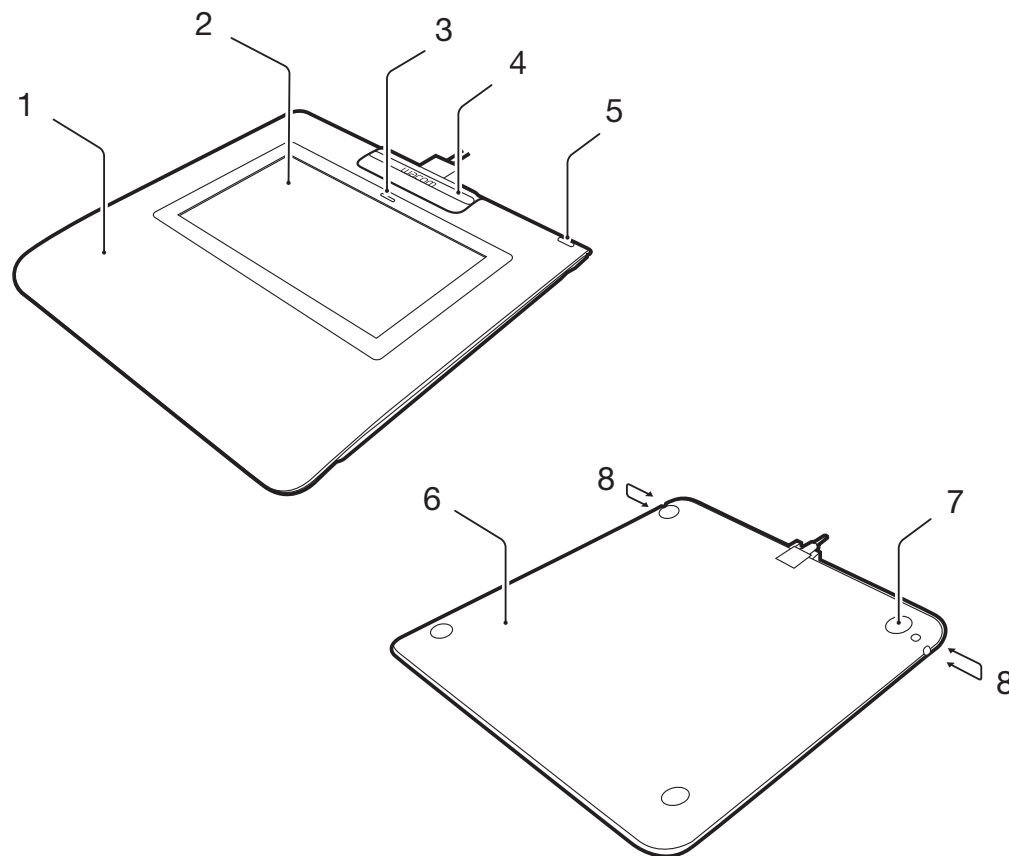


Guia de inicialização rápida

PT-BR

## Componentes do produto

1. Compartimento frontal
2. Área de assinatura
3. LED
4. Suporte de caneta
5. Slot de trava de segurança
6. Compartimento traseiro
7. Pés
8. Orifício do cabo de fixação para a caneta

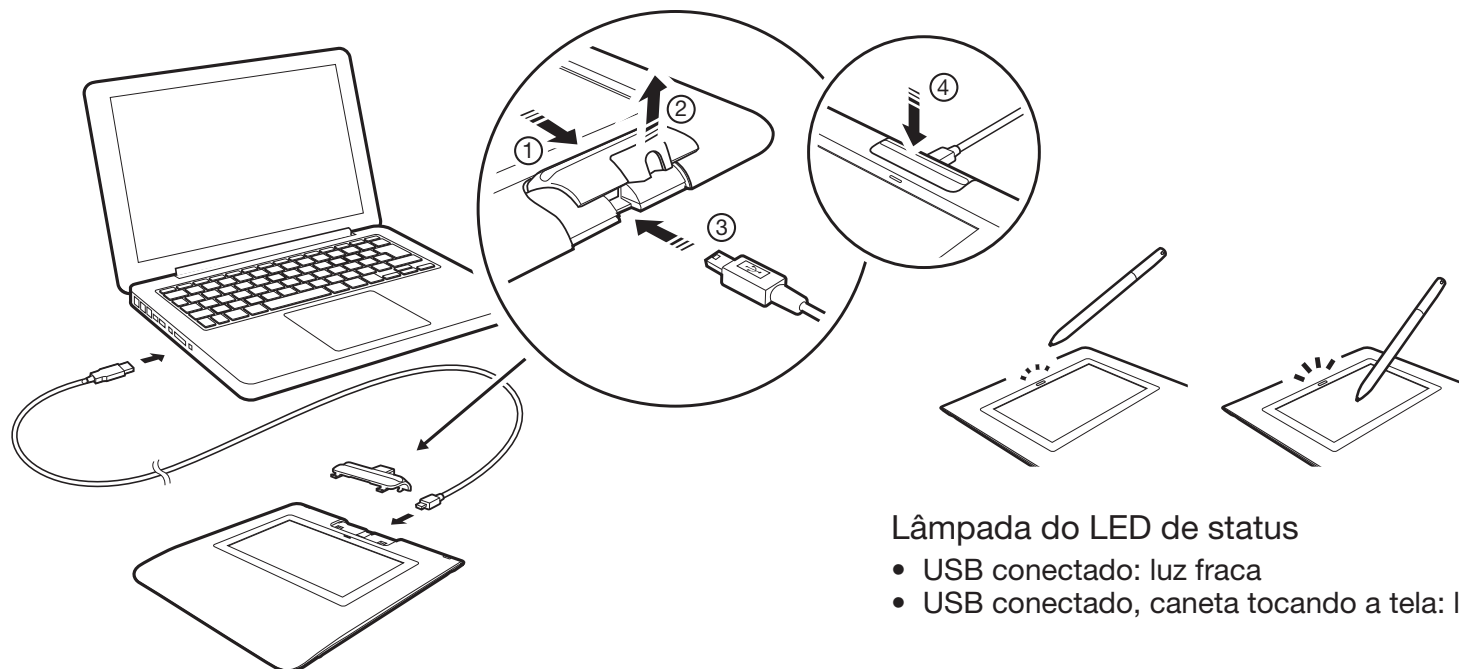


PT-BR

## Como conectar o produto ao computador

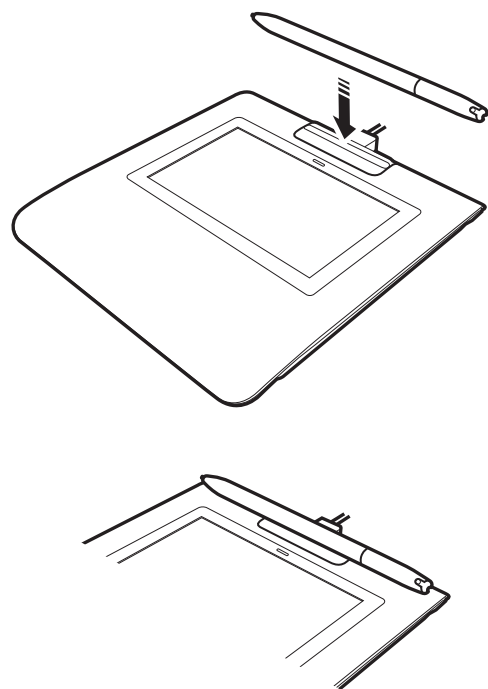
1. Desligue o computador.
2. Encaixe o conector USB em uma porta USB do computador.

Antes de conectar o cabo USB à mesa gráfica para assinaturas, o suporte de caneta deve ser removido para expor o conector. Para isso, deslize o suporte de caneta em direção à parte superior da mesa gráfica para assinaturas e levante o suporte. Após conectar o cabo USB, você pode travar o suporte de caneta novamente no lugar. (O suporte de caneta foi projetado para prender o cabo USB e evitar que ele se solte acidentalmente.)

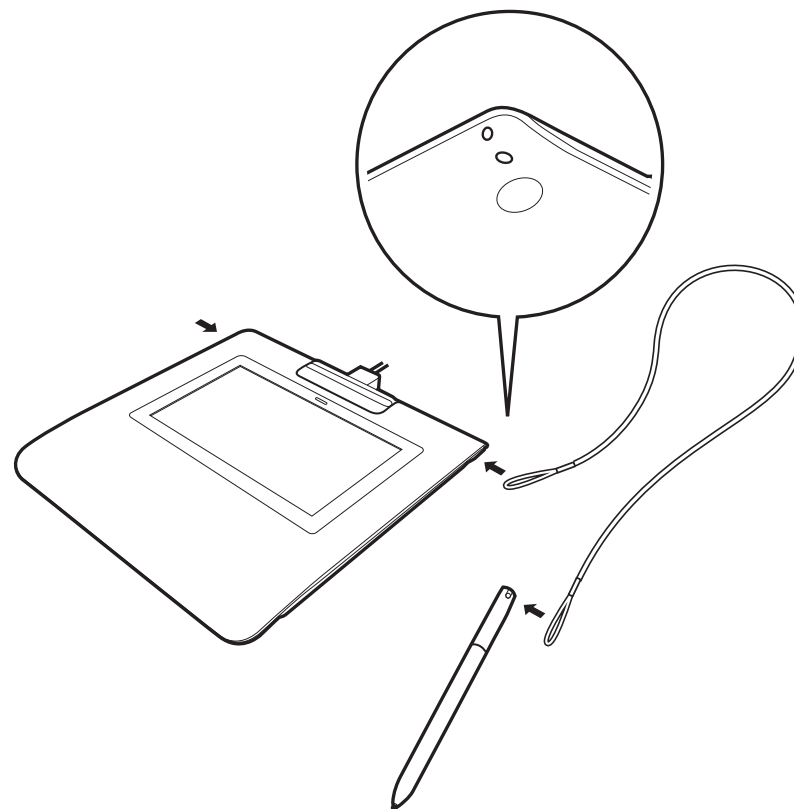


PT-BR

## Suporte e cabo de fixação para a caneta



## Orifício do cabo de fixação para a caneta



PT-BR



## Registro do produto

Para EUA, Canadá, América Central e América do Sul  
Acesse [www.wacom.com/support/product-registration](http://www.wacom.com/support/product-registration)

## Opções de suporte

Para EUA, Canadá, América Central e América do Sul  
Acesse [www.wacom.com](http://www.wacom.com) para conferir as novidades e atualizações de driver, consulte o Manual do Usuário ou entre em contato com o Serviço de Atendimento ao Cliente em [www.wacom.com/support](http://www.wacom.com/support)



PT-BR

## Precauções

Siga todas as instruções, todos os cuidados e todos os avisos presentes neste guia. O descumprimento dessas recomendações pode causar perda de dados ou danificar o computador. O descumprimento dessas recomendações também pode anular a garantia; nesse caso, a WACOM não se responsabilizará pelo reparo ou substituição do produto.

### Aviso

Não use o produto em um sistema de controle das instalações que exija um alto nível de confiabilidade; isso pode causar mau funcionamento em outros dispositivos eletrônicos ou outros dispositivos podem fazer com que o produto apresente mau funcionamento. Onde o uso for proibido, desligue o produto para evitar o possível mau funcionamento de outros dispositivos eletrônicos. A Wacom não se responsabiliza por danos diretos ou indiretos.

Alta voltagem. Não abra nem desmonte o produto. Risco de choque elétrico se a carcaça for aberta. Isso também anulará a garantia, e a Wacom não se responsabilizará pelo reparo ou substituição do produto.

Se a tela LCD estiver danificada, NÃO toque em nenhum líquido que esteja vazando; esse líquido causa irritação. Em caso de contato com a pele, os olhos ou a boca, lave imediatamente com água corrente por no mínimo 15 minutos. Se houver contato com os olhos ou a boca, consulte também um médico.

Tome cuidado para não deixar que crianças engulam a ponta da caneta. A ponta da caneta poderá ser removida acidentalmente se for mordida.

### Cuidado

Não use nem armazene o produto onde:

- As mudanças de temperatura forem extremas ou excederem as especificações (por exemplo, ambientes externos ou o interior de veículos).
- O produto e a caneta ficarem expostos à luz solar direta, ao calor emitido por um aparelho ou à água ou a outro tipo de líquido.

Não use o produto em ambientes empoeirados; isso pode danificar a unidade.

Não desmonte a caneta. Isso pode causar mau funcionamento do dispositivo. Nesse caso, a Wacom não se responsabilizará por consertar ou substituir o produto.

Não arranhe a tela do monitor. Evite colocar objetos pontiagudos na superfície da tela do monitor.

Evite choques ou vibrações fortes no produto ou na caneta. Batidas e quedas do produto podem danificar a tela do monitor ou outros componentes.

Não coloque objetos pesados sobre o produto nem o empurre com força; isso pode danificar a tela do monitor.

Não coloque objetos pesados sobre os cabos do produto, não torça muito nem repetidamente os cabos, nem exerça muita força nos conectores dos cabos para não danificar o produto ou os cabos.

Se a ponta da caneta ficar pontiaguda ou angular, ela poderá danificar o revestimento na tela do monitor. Troque a ponta da caneta se necessário.

Não exponha o produto a descargas eletrostáticas de alta voltagem nem ao acúmulo de carga eletrostática na tela LCD. Isso pode causar manchas temporárias no monitor LCD. Se houver manchas, deixe o monitor do produto ligado, e a mancha desaparecerá em algumas horas.

## Nota sobre o uso deste produto

### Troca da ponta da caneta

Para troca de pontas da caneta, entre em contato com seu parceiro da Wacom Signature Solution.

### Nota sobre o uso

Quando o painel LCD for operado continuamente por um longo período, um resquício de carga elétrica permanece próximo ao eletrodo dentro do LCD, e pode-se observar uma imagem residual ou um “fantasma” da imagem anterior (persistência da imagem).

Para evitar a persistência da imagem, a Wacom recomenda o uso de um protetor de tela em movimento quando a tela permanece ligada, porém, ociosa.

### Como cuidar de seu bloco de assinatura de LCD

Mantenha limpas a caneta e a superfície da tela LCD. Poeira e partículas de sujeira podem se prender à caneta e causar desgaste à superfície da tela do monitor. A limpeza frequente ajudará a prolongar a vida útil da superfície da tela LCD e da caneta. Mantenha a mesa gráfica e a caneta em um local limpo e seco, evitando temperaturas muito altas ou baixas demais. Recomenda-se a temperatura ambiente. O produto e a caneta não foram projetados para serem separados. A desmontagem do produto cancelará a garantia.

### Limpeza

Para limpar a carcaça do produto ou a caneta, use um pano úmido e macio; você também pode umedecer o pano com um sabão muito suave diluído em água. Não use solvente de tinta, benzina, álcool ou outros solventes para limpar a carcaça da unidade ou a caneta.

Para limpar a tela do monitor, use um pano antiestático ou um pano ligeiramente úmido. Durante a limpeza, pressione levemente a tela do monitor e não molhe a superfície. Não use detergente para limpar a tela do monitor; isso pode danificar o revestimento da tela. Esse tipo de dano não é coberto pela garantia do fabricante.

## Especificações do produto

### STU-430

#### Especificações gerais

Modelo/Marca	STU-430
Dimensões (L x D x A)	161,43 x 174,37 x 10,85 mm
Peso	Corpo principal: 0,279 kg, aproximadamente
Temperatura e umidade de operação	5° a 40 °C, umidade: 30% a 80% UR (sem condensação)
Temperatura e umidade de operação	-20° a 60 °C, umidade: 30% a 90% UR (sem condensação)
Cabos de interface	USB tipo A a USB mini-B
Consumo de energia	máximo de 1,0 W

#### Monitor

Tela do monitor	FSTN Positive Reflective
Tamanho da tela	4,5 polegadas (95,985 x 59,985 mm)
Número de pixels	320 x 200
Pitch de pixel	0,30 (H) x 0,30 (V) mm
Qualidade da tela LCD	Cada tela LCD é produzida de acordo com padrões extremamente rigorosos de qualidade. As técnicas de produção não podem assegurar uma exibição TFT absolutamente perfeita. A Wacom não permite que nenhum pixel seja sempre branco. Um pequeno número de pixels pode exibir cor incorreta em algumas partes do espectro de cores. Isso não significa defeito na exibição.

#### Mesa gráfica com caneta

Tecnologia de leitura	Tecnologia de ressonância eletromagnética
Área ativa	95,985 x 59,985 mm
Resolução	2540 lpi ou 0,01 mm/pt
Precisão	± 0,5 mm (centro), a área da borda 1 (20 mm de largura a partir da borda da área de exibição) deve ter ± 2,0 mm, a área da borda 2 (3 mm de largura a partir da borda da área de exibição) deve ter ± 4,0 mm
Altura de leitura	5 mm ou mais (centro)

Velocidade máxima de leitura	200 pontos/s
Níveis de pressão	1024 níveis
Interface de comunicação	USB

#### Outros

Slot de segurança	1
-------------------	---

### STU-530

#### Especificações gerais

Modelo/Marca	STU-530
Dimensões (L x D x A)	161,43 x 174,37 x 10,85 mm
Peso	Corpo principal: 0,289 kg, aproximadamente
Temperatura e umidade de operação	5° a 40 °C, umidade: 30% a 80% UR (sem condensação)
Temperatura e umidade de operação	-20° a 60 °C, umidade: 30% a 90% UR (sem condensação)
Cabos de interface	USB tipo A a USB mini-B
Consumo de energia	máximo de 2,5 W

#### Monitor

Tela do monitor	Amorphous-TFT-LCD
Tamanho da tela	5,0 polegadas (108,0 x 64,8 mm)
Número de pixels	800 x 480, WVGA
Pitch de pixel	0,135 (H) x 0,135 (V) mm
Qualidade da tela LCD	Cada tela LCD é produzida de acordo com padrões extremamente rigorosos de qualidade. As técnicas de produção não podem assegurar uma exibição TFT absolutamente perfeita. A Wacom não permite que nenhum pixel seja sempre branco. Um pequeno número de pixels pode exibir cor incorreta em algumas partes do espectro de cores. Isso não significa defeito na exibição.

#### Mesa gráfica com caneta

Tecnologia de leitura	Tecnologia de ressonância eletromagnética
Área ativa	108,0 x 64,8 mm
Resolução	2540 lpi ou 0,01 mm/pt

PT-BR

Precisão	± 0,5 mm (centro), a área da borda 1 (20 mm de largura a partir da borda da área de exibição) deve ter ± 2,0 mm, a área da borda 2 (3 mm de largura a partir da borda da área de exibição) deve ter ± 4,0 mm
Altura de leitura	5 mm ou mais (centro)
Velocidade máxima de leitura	200 pontos/s
Níveis de pressão	1024 níveis
Interface de comunicação	USB

## Outros

Slot de segurança	1
-------------------	---

## Caneta UP-610-89A-1

Tamanho físico (C * D)	140,5 * 9,0 mm (5,53 * 0,35 in)
Peso	7 g (0,25 oz), aproximadamente
Percurso da ponta da caneta	0,2 mm (0,04 pol.), aproximadamente

PT-BR

## Garantias

### Garantia limitada (EUA e Canadá)

A Wacom garante ao comprador original que o produto, exceto o Software e itens de consumo como a bateria, cartuchos de caneta, folha da superfície da mesa gráfica e pontas, estará livre de defeitos de materiais e fabricação durante uso e serviço normais pelo período de 3 (três) anos contados a partir da data de compra original no varejo, comprovada por uma cópia do recibo e pelo registro feito na Wacom no prazo de 30 dias após a compra.

O software é licenciado "no estado em que se encontra". A Wacom não concede garantias no que diz respeito à sua qualidade ou desempenho. A Wacom não pode garantir o serviço ininterrupto do produto nem a correção de todos os erros.

Ao detectar qualquer defeito no produto, exceto no Software, dentro do Período de Garantia, contate o Suporte Técnico da Wacom por telefone, email ou fax para obter um número de autorização de devolução da mercadoria (RMA - Return Merchandise Authorization) e instruções para enviar o produto ao local de atendimento técnico designado pela Wacom. Você deve enviar o produto, com os custos de transporte já pagos, ao local designado de assistência técnica, acompanhado do número de autorização de devolução, seu nome, endereço e número de telefone, comprovante de compra e uma descrição do defeito. A Wacom pagará os custos de transporte da devolução pelo United Parcel Service ou por um serviço equivalente, conforme escolhido pela Wacom.

A única obrigação e total comprometimento da Wacom nesta garantia será o conserto ou a substituição do produto ou peças com defeito, se a Wacom estiver de acordo, partindo do pressuposto de que ela será notificada durante o Período de Garantia. No entanto, você se responsabilizará pelo (i) custo de transporte do produto ao local de manutenção designado e (ii) por qualquer perda ou dano que o produto venha a sofrer resultante de tal transporte.

A Wacom não se responsabilizará por consertar ou substituir o produto se o defeito for resultante de acidente, irregularidade, utilização inadequada, negligência, modificação ou reparo não autorizado, ou se o produto tiver sido manuseado ou guardado de forma contrária à especificada nas instruções fornecidas pela Wacom.

Nenhuma descrição, desenho, especificação, amostra, comunicado ou material similar utilizado na venda do produto deverá ser interpretado como garantia expressa de que o produto está em conformidade com suas exigências.

**A NÃO SER PELA GARANTIA LIMITADA DESCRITA ACIMA, NÃO HÁ NENHUMA OUTRA GARANTIA ESTABELECIDA PELA WACOM PARA ESTE PRODUTO. NENHUMA INFORMAÇÃO ORAL OU ESCRITA OU ADVERTÊNCIA FORNECIDA PELA WACOM, SEUS FORNECEDORES, DISTRIBUIDORES, AGENTES OU FUNCIONÁRIOS CONFIGURARÁ UMA GARANTIA OU, DE FORMA ALGUMA, EXPANDIRÁ O ESCOPO DESTA GARANTIA; ALÉM DISSO, VOCÊ NÃO DEVE CONFIAR PLENAMENTE EM TAIS INFORMAÇÕES OU ADVERTÊNCIAS.**



ESTA GARANTIA CONFERE A VOCÊ DIREITOS LEGAIS ESPECÍFICOS, E VOCÊ PODE TER OUTROS DIREITOS QUE VARIAM DE UM ESTADO PARA OUTRO.

A WACOM LIMITA A DURAÇÃO DE QUALQUER GARANTIA LEGALMENTE IMPLÍCITA, INCLUINDO AS GARANTIAS IMPLÍCITAS DE COMERCIALIZAÇÃO OU ADEQUAÇÃO PARA UM FIM ESPECÍFICO, À DURAÇÃO DA GARANTIA EXPRESSA DA WACOM. ALGUNS ESTADOS NÃO PERMITEM LIMITAÇÕES NO QUE DIZ RESPEITO À DURAÇÃO DE UMA GARANTIA IMPLÍCITA, DE MODO QUE A LIMITAÇÃO ACIMA PODE NÃO APLICAR-SE A VOCÊ.

NEM A WACOM NEM QUALQUER OUTRA PESSOA QUE ESTEJA ENVOLVIDA NA CRIAÇÃO, PRODUÇÃO OU ENTREGA DESTE PRODUTO DEVERÁ SER RESPONSABILIZADA POR QUAISQUER DANOS DIRETOS OU INDIRETOS (INCLUINDO OS DANOS REFERENTES À PERDA DE LUCRATIVIDADE OU INTERRUPÇÃO NOS NEGÓCIOS, PERDA DE INFORMAÇÕES COMERCIAIS OU ALGO SEMELHANTE) RESULTANTES DO USO OU INCAPACIDADE DE UTILIZAÇÃO DO PRODUTO, AINDA QUE A WACOM TENHA SIDO INFORMADA DA POSSIBILIDADE DE TAIS DANOS. COMO ALGUNS ESTADOS NÃO PERMITEM A EXCLUSÃO OU LIMITAÇÃO DE DANOS INCIDENTAIS OU CONSEQUENCIAIS, A LIMITAÇÃO ACIMA MENCIONADA PODE NÃO APLICAR-SE A VOCÊ.

No evento de qualquer das limitações descritas em cima serem mantidas como inaplicáveis, a responsabilidade da Wacom por quaisquer danos a si ou a qualquer outro partido não deverá exceder o preço de compra do produto, independentemente da forma de qualquer reclamação.

Esta Garantia Limitada é governada pelas leis dos Estados Unidos e pelo Estado de Washington.

Ela é válida para os produtos comprados e usados nos Estados Unidos (e em seus territórios) ou no Canadá e se aplica somente a eles.

## Serviço de garantia

Para obter o serviço de garantia nos EUA ou no Canadá, entre em contato:

Centro de Atendimento ao Cliente da Wacom

Telefone: 1.360.896.9833

Formulário de consulta por email: <http://www.wacom.com/productsupport/email.cfm>

Caso você tenha alguma dúvida com relação a este Contrato ou queira entrar em contato com a Wacom por qualquer motivo, escreva para:

Wacom Technology Corporation

1311 SE Cardinal Court  
Vancouver, Washington 98683  
U.S.A.

## Garantia limitada (América Central, América do Sul e Caribe)

A Wacom garante ao comprador original que o produto, exceto o Software e itens de consumo como a bateria, cartuchos de caneta, folha da superfície da mesa gráfica e pontas, estará livre de defeitos de materiais e fabricação durante uso e serviço normais pelo período de 3 (três) anos contados a partir da data de compra original no varejo, comprovada por uma cópia do recibo e pelo registro feito na Wacom no prazo de 30 dias após a compra.

O software é licenciado "no estado em que se encontra". A Wacom não concede garantias no que diz respeito à sua qualidade ou desempenho. A Wacom não pode garantir o serviço ininterrupto do produto nem a correção de todos os erros.

Ao detectar qualquer defeito no produto, exceto no Software, dentro do Período de Garantia, contate o Suporte Técnico da Wacom por telefone, email ou fax para obter um número de autorização de devolução da mercadoria (RMA - Return Merchandise Authorization) e instruções para enviar o produto ao local de atendimento técnico designado pela Wacom. Você deve enviar o produto, com os custos de transporte já pagos, ao local designado de assistência técnica, acompanhado do número de autorização de devolução, seu nome, endereço e número de telefone, comprovante de compra e uma descrição do defeito. A Wacom pagará os custos de transporte da devolução pelo United Parcel Service ou por um serviço equivalente, conforme escolhido pela Wacom.

A única obrigação e total comprometimento da Wacom nesta garantia será o conserto ou a substituição do produto ou peças com defeito, se a Wacom estiver de acordo, partindo do pressuposto de que ela será notificada durante o Período de Garantia. No entanto, você se responsabilizará pelo (i) custo de transporte do produto ao local de manutenção designado e (ii) por qualquer perda ou dano que o produto venha a sofrer resultante de tal transporte.

A Wacom não se responsabilizará por consertar ou substituir o produto se o defeito for resultante de acidente, irregularidade, utilização inadequada, negligência, modificação ou reparo não autorizado, ou se o produto tiver sido manuseado ou guardado de forma contrária à especificada nas instruções fornecidas pela Wacom.

Nenhuma descrição, desenho, especificação, amostra, comunicado ou material similar utilizado na venda do produto deverá ser interpretado como garantia expressa de que o produto está em conformidade com suas exigências.

A NÃO SER PELA GARANTIA LIMITADA DESCRITA ACIMA, NÃO HÁ NENHUMA OUTRA GARANTIA ESTABELECIDA PELA WACOM PARA ESTE PRODUTO. NENHUMA INFORMAÇÃO ORAL OU ESCRITA OU ADVERTÊNCIA FORNECIDA PELA WACOM, SEUS FORNECEDORES, DISTRIBUIDORES, AGENTES OU FUNCIONÁRIOS CONFIGURARÁ UMA GARANTIA OU, DE FORMA ALGUMA, EXPANDIRÁ O ESCOPO DESTA GARANTIA; ALÉM DISSO, VOCÊ NÃO DEVE CONFIAR PLENAMENTE EM TAIS INFORMAÇÕES OU ADVERTÊNCIAS.

ESTA GARANTIA CONFERE A VOCÊ DIREITOS LEGAIS ESPECÍFICOS, E VOCÊ PODE TER OUTROS DIREITOS QUE VARIAM DE UM PAÍS PARA OUTRO.

PT-BR

PT-BR

A WACOM LIMITA A DURAÇÃO DE QUALQUER GARANTIA LEGALMENTE IMPLÍCITA, INCLUINDO AS GARANTIAS IMPLÍCITAS DE COMERCIALIZAÇÃO OU ADEQUAÇÃO PARA UM FIM ESPECÍFICO, À DURAÇÃO DA GARANTIA EXPRESSA DA WACOM. ALGUNS PAÍSES NÃO PERMITEM LIMITAÇÕES NO QUE DIZ RESPEITO À DURAÇÃO DE UMA GARANTIA IMPLÍCITA, DE MODO QUE A LIMITAÇÃO ACIMA PODE NÃO SE APLICAR A VOCÊ.

NEM A WACOM NEM QUALQUER OUTRA PESSOA QUE ESTEJA ENVOLVIDA NA CRIAÇÃO, PRODUÇÃO OU ENTREGA DESTE PRODUTO DEVERÁ SER RESPONSABILIZADA POR QUAISQUER DANOS DIRETOS OU INDIRETOS (INCLUINDO OS DANOS REFERENTES À PERDA DE LUCRATIVIDADE OU INTERRUPÇÃO NOS NEGÓCIOS, PERDA DE INFORMAÇÕES COMERCIAIS OU ALGO SEMELHANTE) RESULTANTES DO USO OU INCAPACIDADE DE UTILIZAÇÃO DO PRODUTO, AINDA QUE A WACOM TENHA SIDO INFORMADA DA POSSIBILIDADE DE TAIS DANOS. COMO ALGUNS PAÍSES NÃO PERMITEM A EXCLUSÃO OU LIMITAÇÃO DE DANOS INCIDENTAIS OU CONSEQUENCIAIS, A LIMITAÇÃO ACIMA MENCIONADA PODE NÃO SE APLICAR A VOCÊ.

No evento de qualquer das limitações descritas em cima serem mantidas como inaplicáveis, a responsabilidade da Wacom por quaisquer danos a si ou a qualquer outro partido não deverá exceder o preço de compra do produto, independentemente da forma de qualquer reclamação.

Esta Garantia Limitada é governada pelas leis dos Estados Unidos e pelo Estado de Washington.

Ela é válida para os produtos comprados e usados na América Central, América do Sul e no Caribe.

## Serviço de garantia

Para obter o serviço de garantia na América Central, América do Sul e no Caribe, contate o seu revendedor ou distribuidor local.

Centro de Atendimento ao Cliente da Wacom

Espanhol: <http://www.wacom.com/sp/productsupport/email.cfm>

Português: <http://www.wacom.com/pr/productsupport/email.cfm>

Caso você tenha alguma dúvida com relação a este Contrato ou queira entrar em contato com a Wacom por qualquer motivo, escreva para:

Wacom Technology Corporation  
1311 SE Cardinal Court  
Vancouver, Washington 98683  
U.S.A.

## Garantia limitada (Europa, África e Oriente Médio)

A WACOM garante a você, como comprador inicial, (referido neste documento como "você" ou "o cliente") que o hardware do produto permanecerá livre de defeitos de materiais e fabricação sob uso e serviço normais pelo período de garantia de TRÊS (3) ANOS,

a contar da data de compra e desde que o produto esteja sem uso na data de compra. Defeitos em peças desgastadas (por exemplo, pontas da caneta, superfícies da mesa gráfica e baterias) resultantes do desgaste não são cobertos pela garantia. Além disso, a WACOM garante que os transportadores de dados fornecidos com o produto estão livres de defeitos e materiais de fabricação sob uso normal por um período de SEIS (6) MESES a partir da data da compra.

Se durante o período de garantia aplicável, o produto, com exceção de qualquer software, estiver defeituoso, ele deverá ser devolvido imediatamente ao local de compra na embalagem original, com seu nome, endereço e telefone, uma descrição do problema e uma cópia da nota fiscal original. O cliente será responsável por qualquer dano ou perda possível do produto durante o trânsito para o local de compra para este fim.

A única obrigação e total comprometimento da WACOM nesta garantia será o conserto ou a substituição, a critério da WACOM, do produto ou das peças com defeito, contanto que o defeito seja comprovado e que esse produto ou essas peças sejam devolvidos dentro do Período de Garantia aplicável.

A WACOM não garante o conserto ou a substituição do produto se: (a) o dano do produto for decorrente de acidente, má utilização, uso impróprio, negligência, alteração ou conserto sem autorização; (b) o produto não tiver sido manuseado ou armazenado de acordo com as instruções fornecidas pela WACOM; (c) o dano for decorrente de desgaste normal de peças do produto; ou d) o número de série afixado pela WACOM tiver sido removido ou não estiver legível.

Nenhuma descrição, desenho, especificação, amostra, modelos, comunicado ou material similar utilizado na venda do produto será interpretado como garantia expressa de que o produto está em conformidade com seus requisitos.

A garantia determinada pela lei permanece inalterada. Você pode reclamar defeitos do produto de acordo com as disposições legais relevantes.

A WACOM só será responsável por si própria e seus agentes representantes se uma obrigação contratual material tiver sido comprovadamente violada de maneira a arriscar a finalidade do contrato ou ocorrerem danos devido a atos ou omissões intencionais ou total negligência. Uma obrigação contratual material é uma obrigação essencial para o desempenho adequado do contrato no qual a outra parte se apoiará. No caso em que a violação dessa obrigação contratual material não for intencional ou por total negligência, a responsabilidade de uma parte será limitada a tais danos, sendo característica para o contrato e que eram razoavelmente previsíveis no momento da firmação do contrato. Onde estes termos e condições impossibilitam ou limitam a responsabilidade, isso também se aplica à responsabilidade pessoal dos diretores executivos da parte interessada, seus funcionários, agentes e subcontratados. As disposições da lei de responsabilidade do produto (Produkthaftungsgesetz) permanecem inalteradas.

Se uma solicitação feita sob esta garantia for verificada e for constatado que está fora do período permitido ou não estiver coberta pela garantia ou se o produto não apresentar defeitos, o cliente reembolsará a WACOM pelos custos associados.

Esta garantia limitada será aplicável se o domicílio da empresa do vendedor estiver situado na União Europeia ou na Islândia, na Noruega, em Jersey, na Suíça, na Rússia, na Ucrânia, na Croácia, na Sérvia, na Tunísia, na Turquia, na Síria, no Líbano, na Jordânia, em Israel, no Egito, nos Emirados Árabes Unidos, no Irã ou na África do Sul. Esta garantia está sujeita à lei alemã. No entanto, a aplicabilidade da Convenção das Nações Unidas sobre Contratos para Venda Internacional de Produtos está explicitamente excluída. A cidade de Krefeld, na Alemanha, é a única jurisdição para todas as solicitações decorrentes desta relação contratual e todas as disputas entre as partes resultantes da formação, da condução ou do encerramento da relação contratual, desde que o cliente seja um comerciante, uma pessoa jurídica ou fundo especial sob lei pública. O contrato de jurisdição também é aplicável aos clientes que não tenham local de jurisdição geral na Alemanha. O contrato de jurisdição não deverá ser aplicado se, devido a cláusulas legais, for necessário estabelecer um único local de jurisdição para o caso.

Além disso, a WACOM está autorizada a registrar um processo contra a sede do cliente.

Se uma das cláusulas desta garantia limitada for anulada, a validade das demais cláusulas não será afetada, no todo ou em parte. Se uma cláusula for inválida, a regulamentação legalmente permissível mais próxima à regulamentação inválida deverá ser aplicada. Caso você tenha alguma dúvida com relação a este contrato ou queira entrar em contato com a WACOM por qualquer motivo, escreva para:

WACOM Europe GmbH  
Europark Fichtenhain A9  
47807 Krefeld  
GERMANY

## Garantia limitada (Região do Pacífico Asiático)

A Wacom Co., Ltd. garante ao comprador original que o produto estará livre de defeitos de materiais e fabricação durante uso e serviço normais pelo período de 1 (um) ano contado a partir da data de compra original no varejo, comprovada por uma cópia do recibo (prova de compra).

O software é licenciado "no estado em que se encontra". A Wacom não concede garantias no que diz respeito a sua qualidade, seu desempenho ou outros. A Wacom não pode garantir o serviço ininterrupto do produto nem a correção de todos os erros. A Wacom também não concede garantias para itens de consumo como bateria, cartuchos de caneta, folha da superfície da mesa gráfica e pontas.

Quando descoberto um defeito no produto, exceto no Software, dentro do Período de Garantia, o portador da garantia deve entrar em contato com o local de compra original para obter instruções de encaminhamento do produto para conserto ou substituição. A Wacom e seus parceiros não são obrigados a reembolsar envio pré-pago não autorizado.

O portador da garantia não tem obrigação de pagar por encargos de envio entre o local de compra original e o local de conserto ou substituição.

A única obrigação e total comprometimento da Wacom nesta garantia será o conserto ou a troca do produto ou das peças com defeito, se a Wacom estiver de acordo, partindo do pressuposto de que ela será notificada durante o Período de Garantia.

A Wacom não terá nenhuma responsabilidade de consertar ou trocar o produto se a falha no produto for resultante de força maior, incluindo, sem limitações, incêndio, desastres naturais, acidente e destino; irregularidade acidental ou intencional, utilização inadequada, negligência, modificação ou reparo não autorizado, uso deste produto de forma diferente da explicada no guia do usuário ou se o produto tiver sido manuseado ou armazenado em desacordo com as instruções de armazenamento da Wacom.

Nenhuma descrição, desenho, especificação, amostra, comunicado ou material similar utilizado na venda do produto deverá ser interpretado como garantia expressa de que o produto está em conformidade com suas exigências.

**A NÃO SER PELA GARANTIA LIMITADA DESCRITA ACIMA, NÃO HÁ NENHUMA OUTRA GARANTIA ESTABELECIDA PELA WACOM PARA ESTE PRODUTO. NENHUMA INFORMAÇÃO ORAL OU ESCRITA OU ADVERTÊNCIA FORNECIDA PELA WACOM, SEUS FORNECEDORES, DISTRIBUIDORES, AGENTES OU FUNCIONÁRIOS CONFIGURARÁ UMA GARANTIA OU, DE FORMA ALGUMA, EXPANDIRÁ O ESCOPO DESTA GARANTIA; ALÉM DISSO, VOCÊ NÃO DEVE CONFIAR PLENAMENTE EM TAIS INFORMAÇÕES OU ADVERTÊNCIAS. ESTA GARANTIA CONFERE A VOCÊ DIREITOS LEGAIS ESPECÍFICOS, E VOCÊ PODE TER OUTROS DIREITOS QUE VARIAM DE UM PAÍS PARA OUTRO.**

A WACOM LIMITA A DURAÇÃO DE QUALQUER GARANTIA LEGALMENTE IMPLÍCITA, INCLUINDO AS GARANTIAS IMPLÍCITAS DE COMERCIALIZAÇÃO OU ADEQUAÇÃO PARA UM FIM ESPECÍFICO, À DURAÇÃO DA GARANTIA EXPRESSA DA WACOM.

ALGUNS PAÍSES NÃO PERMITEM LIMITAÇÕES NO QUE DIZ RESPEITO À DURAÇÃO DE UMA GARANTIA IMPLÍCITA, DE MODO QUE A LIMITAÇÃO ACIMA PODE NÃO SE APLICAR A VOCÊ.

NEM A WACOM NEM QUALQUER OUTRA PESSOA QUE ESTEJA ENVOLVIDA NA CRIAÇÃO, PRODUÇÃO OU ENTREGA DESTA GARANTIA DEVERÁ SER RESPONSABILIZADA POR QUAISQUER DANOS DIRETOS OU INDIRETOS (INCLUINDO OS DANOS REFERENTES À PERDA DE LUCRATIVIDADE OU INTERRUPÇÃO NOS NEGÓCIOS, PERDA DE INFORMAÇÕES COMERCIAIS OU ALGO SEMELHANTE) RESULTANTES DO USO OU INCAPACIDADE DE UTILIZAÇÃO DO PRODUTO, AINDA QUE A WACOM TENHA SIDO INFORMADA DA POSSIBILIDADE DE TAIS DANOS. COMO ALGUNS PAÍSES NÃO PERMITEM A EXCLUSÃO OU LIMITAÇÃO DE DANOS INCIDENTAIS OU CONSEQUENCIAIS, A LIMITAÇÃO ACIMA MENCIONADA PODE NÃO SE APLICAR A VOCÊ.

No caso de alguma das limitações descritas acima serem inaplicáveis, o reembolso da Wacom por quaisquer danos causados a você ou a qualquer outra parte não excederá o preço de compra pago pelo produto, independentemente da forma de reclamação.

PT-BR

Esta Garantia Limitada é válida e só se aplica a produtos comprados e usados dentro dos países e territórios do Pacífico Asiático, excluindo o Japão, a República Popular da China, Hong Kong e os países do Oriente Médio.

Esta Garantia Limitada é uma declaração da diretiva da garantia atual da Divisão da Região do Pacífico Asiático da Wacom Co., Ltd. e tem prioridade sobre todas as outras declarações de garantia contidas em embalagens, folhetos, manuais, etc.

Esta Garantia Limitada é governada pelas leis do Japão e está sujeita a alterações sem comunicação prévia.

Lei do Consumidor Australiano Nossos produtos são fornecidos com garantias que não podem ser excluídas na Lei do Consumidor Australiano. Você tem direito a substituição ou reembolso em caso de falha importante e como compensação por qualquer outra perda ou dano razoavelmente previsível. Você também tem direito a conserto ou substituição de mercadorias se elas não forem de qualidade aceitável e se a falha não se constituir em uma falha importante. Nossos produtos de hardware são fornecidos com um (1) ano de garantia concedida pela Wacom Co., Ltd. com subsidiária localizada em Wacom Australia Pty. Ltd. Ground floor, Building 1,3 Richardson Place, North Ryde, NSW, 2113 Australia Se seus produtos não fornecerem os recursos e as funções gerais descritos na Documentação do Usuário no período de 1 (um) ano após a entrega, entre em contato com a Wacom Australia Pty. Ltd. pelo telefone +61-29422-6700 com os detalhes do produto, o número de série e a prova de compra. Talvez você seja solicitado a encaminhar o produto de hardware ao endereço que forneceremos no momento, caso em que o encaminhamento correrá por seu próprio custo. Os benefícios desta garantia são uma adição aos outros direitos e recursos que você pode ter de acordo com a lei.

Serviço de garantia/Suporte Técnico da Wacom na Região do Pacífico Asiático (exceto Japão, a República Popular da China, Hong Kong e os países do Oriente Médio) Informações detalhadas sobre a diretiva da garantia limitada e o registro do produto na região do Pacífico Asiático podem ser encontrados online em <http://www.wacom.asia/customer-care>

Para obter suporte técnico ou serviço de garantia no sul e no sudeste da Ásia, na Oceania e em Taiwan, entre em contato com o Serviço de Atendimento ao Cliente da Wacom. Os números de telefone podem ser encontrados em:

<http://wacom-wapcc.com/inquiry/create>

Caso você tenha alguma dúvida com relação a este Contrato ou queira entrar em contato com a Wacom por qualquer motivo, entre em contato pelo site abaixo

<http://wacom-wapcc.com/inquiry/create>

## INFORMAÇÕES SOBRE DESCARTE E RECICLAGEM

### ROHS NA UNIÃO EUROPÉIA

Os produtos Wacom estão em conformidade com a Diretiva RoHS 2002/95/EC (Diretiva RoHS).

### INFORMAÇÕES SOBRE DESCARTE NA UNIÃO EUROPÉIA (WEEE)



Reutilização, reciclagem e recuperação. Recicle este produto quando substituí-lo por um novo ou quando terminar seu tempo de vida útil. Leve-o a um ponto de coleta de materiais recicláveis apropriado em sua comunidade ou região.

Fazendo isso, você ajuda a melhorar o meio ambiente de sua comunidade e a minimizar os potenciais efeitos negativos causados por alguma substância perigosa presente no material descartado, caso atingisse o meio ambiente durante o processo de eliminação.

Na União Européia, os usuários não podem fazer o descarte de equipamentos elétricos e eletrônicos (WEEE, Waste Electrical and Electronic Equipment) como lixo municipal comum, de acordo com a Diretiva 2002/96/EC do Parlamento Europeu e do Conselho de 27 de janeiro de 2003 ou em concordância com as leis locais correspondentes dos Estados-membros. Os produtos aos quais essa lei se aplica serão marcados com o símbolo WEEE, mostrado no começo desta nota, a menos que essa marcação fique inviabilizada em função do tamanho ou da função do produto. Os produtos Wacom estão sujeitos à Diretiva 2002/96/EC e, portanto, devem ser sempre coletados separadamente e levados ao ponto de coleta apropriado em sua comunidade ou região.

**A(S) LÂMPADA(S) NO INTERIOR DESSE PRODUTO CONTÊM MERCÚRIO E DEVE(M) SER RECICLADA(S) OU DESCARTADA(S) DE ACORDO COM AS LEIS LOCAIS, ESTADUAIS OU FEDERAIS.**

O monitor com caneta STU-430, STU-630 possui uma luz de retroiluminação que contém mercúrio (HG). Assegure-se de que é descartada corretamente e que o descarte é efetuado de acordo com as disposições e leis locais.

## DECLARAÇÕES DE CONFORMIDADE

### DECLARAÇÃO DA CE

Os produtos Wacom, (STU-430, STU-530) estão em conformidade com as seguintes diretivas:

Diretiva EMC 2004/108/EC

As normas e os testes europeus harmonizados utilizados para avaliar os produtos desta declaração podem ser consultados no site da Wacom (<http://www.wacom.eu/certificates>).

Com base nos resultados destes testes, a Wacom indica essa conformidade através da sigla CE nos produtos citados acima.

Os produtos devem ser instalados e operados sempre de acordo com as instruções fornecidas no documento Informações importantes sobre o produto (este documento) e no manual do usuário.

Qualquer alteração ou modificação neste produto que não seja especificamente autorizada pela Wacom invalidará esta declaração.

PT-BR

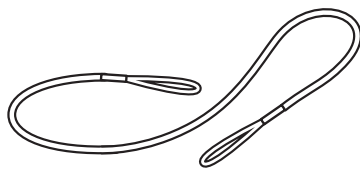
## Ważne informacje

Pomoc i dodatkowe informacje dotyczące produktu można znaleźć w poniższym dokumencie.

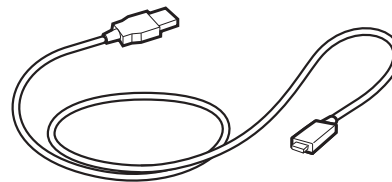
Pomoc i dodatkowe informacje	Opis
Podręcznik szybkiej instalacji (ten podręcznik)	Zawiera ogólne informacje dotyczące urządzeń STU-430 i STU-530. Tutaj znajdują się informacje dotyczące podłączania i użytkowania produktu. Ponadto dokument zawiera ostrzeżenia, dane techniczne produktu i inne ważne informacje. Przed rozpoczęciem użytkowania należy dokładnie zapoznać się z tymi informacjami.

PL

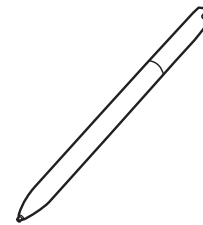
## Akcesoria znajdujące się w zestawie



Uwięź na pióro



Przewód USB (3 m)



Pióro

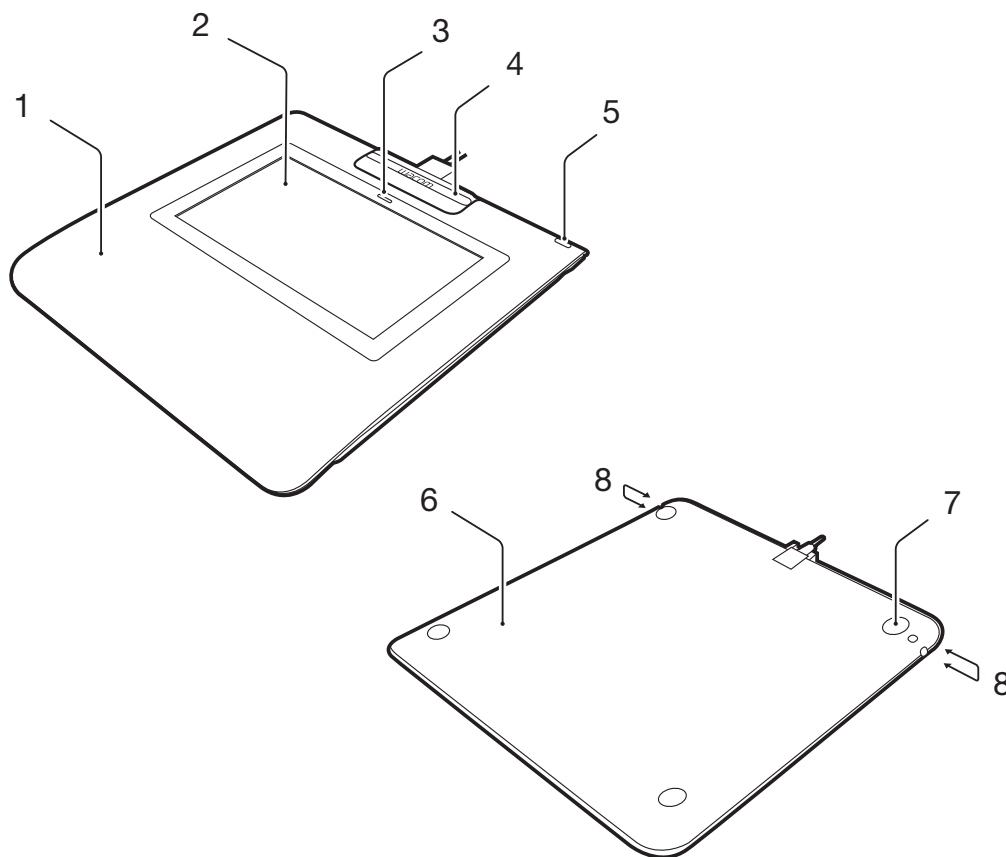


Podręcznik szybkiej  
instalacji

PL

## Zapoznanie się z produktem

1. Wierzch obudowy
2. Obszar składania podpisu
3. LED
4. Uchwyt pióra
5. Gniazdo blokady bezpieczeństwa
6. Spód obudowy
7. Nóżki
8. Otwór uwięzi na pióro



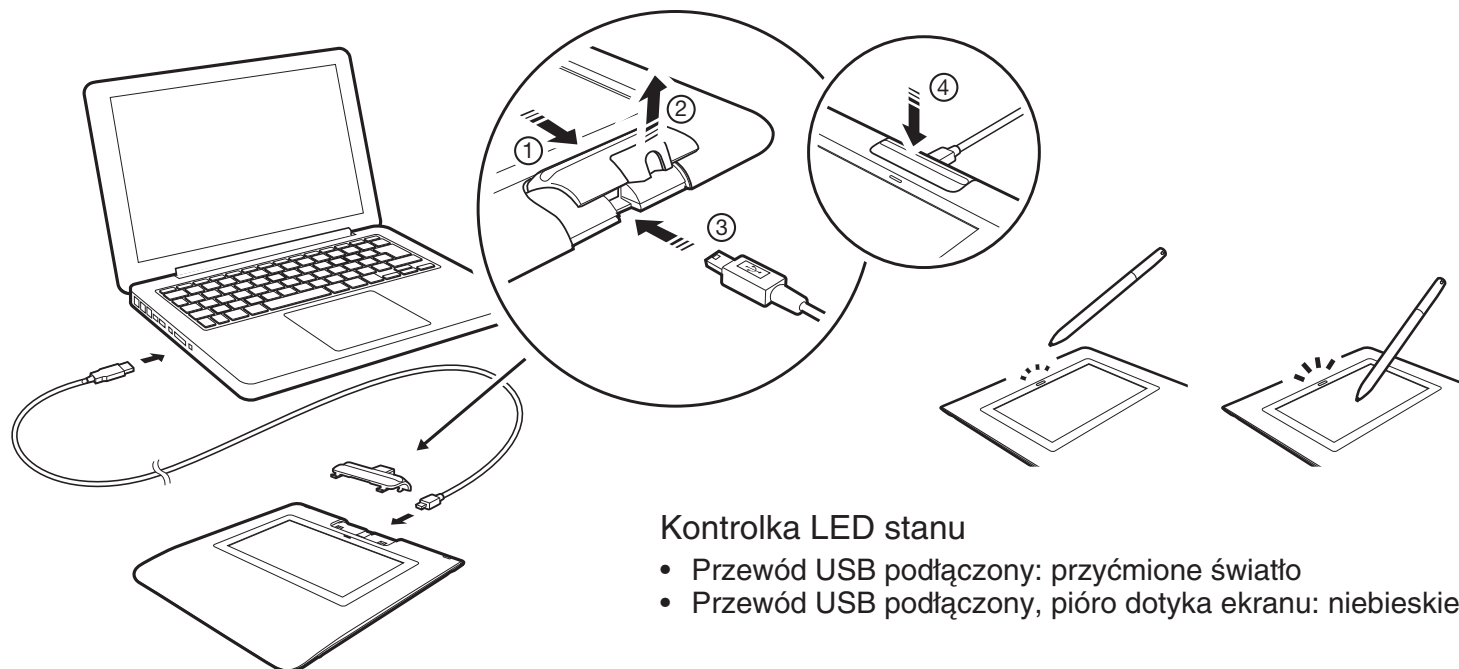
PL



## Podłączenie produktu do komputera

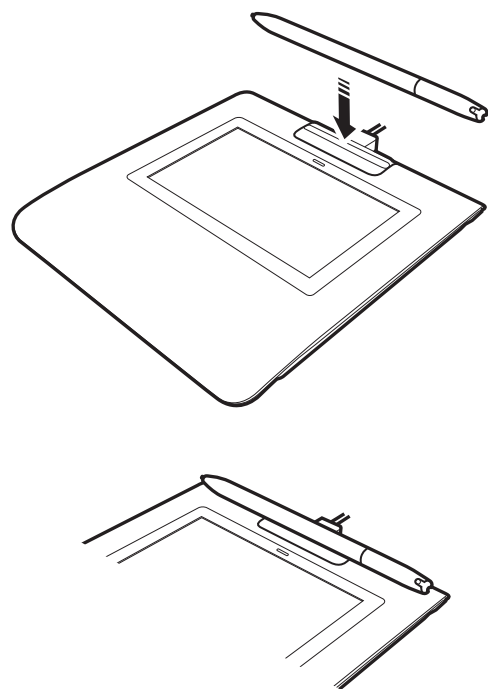
1. Wyłącz komputer.
2. Podłącz złącze USB do wolnego gniazda USB w komputerze.

Przed podłączeniem przewodu USB do tabletu do podpisów należy wymontować uchwyt pióra w celu odstąpienia złącza. W tym celu należy przesunąć uchwyt pióra w górę tabletu, a następnie unieść. Po podłączeniu przewodu USB można z powrotem zablokować uchwyt pióra na swoim miejscu. (Uchwyt pióra zabezpiecza przewód USB i zapobiega jego przypadkowemu odłączeniu).

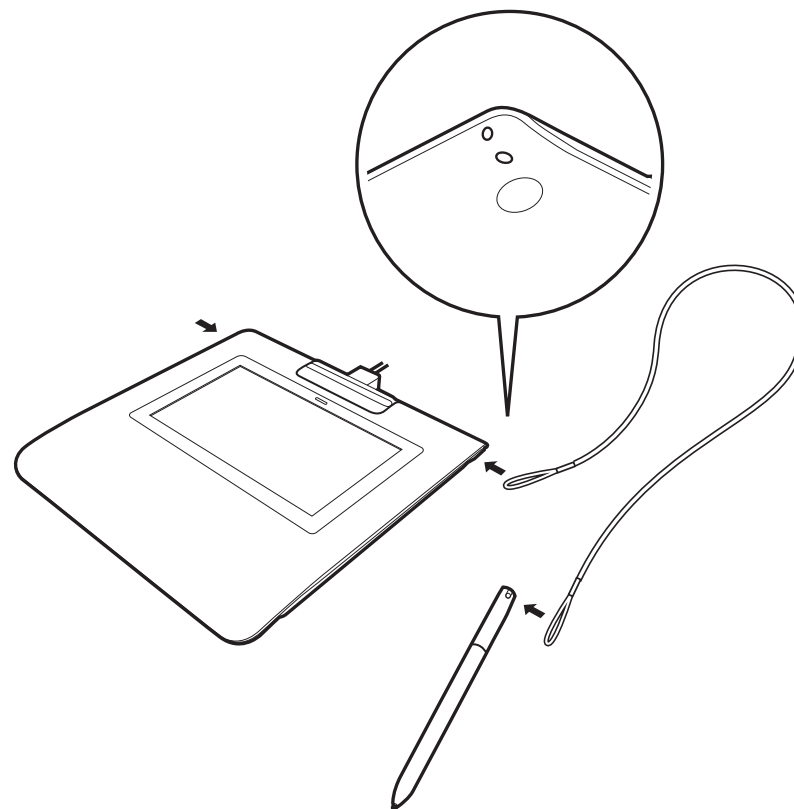


PL

## Uchwyt i uwięź na pióro



## Otwór uwięzi na pióro



PL

## Rejestracja produktu

Europa

Przejdź na stronę [www.wacom.eu/register](http://www.wacom.eu/register)

## Opcje pomocy technicznej

Europa

Sprawdź sekcję Rozwiązywanie problemów w instrukcji obsługi lub wejdź na naszą stronę [www.wacom.eu](http://www.wacom.eu)  
Pomoc techniczna jest dostępna od poniedziałku do piątku w godzinach od 9:00 do 18:00 (czasu środkowoeuropejskiego).  
Dane kontaktowe pomocy technicznej dla danego kraju można znaleźć na stronie [www.wacom.eu/contact](http://www.wacom.eu/contact)

PL

## Środki ostrożności

Należy postępować zgodnie z wszelkimi instrukcjami, przestrożami i ostrzeżeniami zawartymi w niniejszej instrukcji. Inaczej powstanie ryzyko utraty danych i uszkodzenia komputera. Niezastosowanie się do tych zapisów może również spowodować unieważnienie gwarancji; w takim przypadku firma Wacom nie ponosi odpowiedzialności za naprawę lub wymianę produktu.

## Ostrzeżenie

Nie wolno używać produktu w systemach sterowania instalacjami technicznymi ani w innych systemach wymagających wysokiej niezawodności. Może on powodować nieprawidłową pracę innych urządzeń elektronicznych lub inne urządzenia mogą powodować nieprawidłową pracę produktu. W miejscach, w których używanie produktu jest zabronione, należy go wyłączyć, aby zapobiec nieprawidłowej pracy innych urządzeń elektronicznych. Firma Wacom nie ponosi odpowiedzialności za szkody powstałe bezpośrednio ani pośrednio.

Wysokie napięcie. Nie otwieraj ani nie dokonuj demontażu produktu. Po otwarciu obudowy istnieje ryzyko porażenia prądem. Spowoduje to również unieważnienie gwarancji; w takim przypadku firma Wacom nie ponosi odpowiedzialności za naprawę lub wymianę wadliwego produktu.

W przypadku zniszczenia wyświetlacza LCD NIE WOLNO dotykać płynów, które mogą z niego wyciekać; płyn ten ma właściwości drażniące. W przypadku kontaktu ze skórą, oczami lub ustami należy je natychmiast przepłukiwać pod bieżącą wodą przez co najmniej 15 minut. W przypadku kontaktu z oczami lub ustami należy także zasięgnąć porady lekarza.

Należy uważać, aby dzieci nie połknęły końcówki pióra. Końcówka może zostać przypadkowo wyciągnięta, gdy dzieci będą wkładały pióro do buzi.

## Uwaga

Urządzenia nie wolno używać ani przechowywać w miejscach, w których:

- Występują znaczne wahania temperatury lub jej wartość wykracza poza dopuszczalne granice (np. na zewnątrz pomieszczeń lub w pojeździe).
- Produkt i pióro są wystawione na bezpośrednie działanie promieni słonecznych lub ciepła od innych urządzeń, bądź są narażone na zamoczenie w wodzie lub innych płynach.

Nie należy używać produktu w środowisku mocno zapyłonym, ponieważ może to spowodować jego uszkodzenie.

Nie należy dokonywać demontażu pióra. Może to spowodować niewłaściwe działanie urządzenia. W takim przypadku firma Wacom nie ponosi odpowiedzialności na naprawę lub wymianę wadliwego produktu.

Nie należy dopuszczać do zadrapań ekranu. Należy unikać umieszczania na powierzchni ekranu ostro zakończonych obiektów.

Nie należy narażać produktu lub pióra na silne uderzenia i wibracje. Uderzenie lub upuszczenie produktu może spowodować uszkodzenie wyświetlacza lub innych elementów.

Na urządzeniu nie należy umieszczać ciężkich przedmiotów ani naciskać na niego z użyciem znacznej siły. Może to spowodować uszkodzenie ekranu.

Na przewodach nie wolno umieszczać ciężkich przedmiotów, nie wolno mocno zginać przewodów ani mocno naciskać na złącza. Może to spowodować uszkodzenie urządzenia lub przewodów.

Gdy końcówka pióra ulegnie zaostrzeniu lub sfazowaniu, może uszkodzić powierzchnię ekranu. W razie potrzeby należy wymienić końcówkę pióra.

Nie wolno narażać produktu na wyładowania elektrostatyczne wysokiego napięcia ani dopuszczać do gromadzenia ładunków elektrostatycznych na powierzchni ekranu LCD. Może to spowodować powstanie tymczasowych plam na powierzchni ekranu. W razie wystąpienia takich plam należy pozostawić ekran produktu wyłączony; plamy powinny zniknąć w ciągu kilku godzin.

## Uwagi dotyczące użytkowania produktu

### Wymiana końcówki pióra

Gdy zajdzie potrzeba wymiany końcówki pióra, należy skontaktować się z firmą należącą do programu Wacom Signature Solution Partner.

### Uwaga dotycząca eksploatacji

Gdy panel LCD działa przez długi czas, szczątkowy ładunek elektryczny pozostaje w pobliżu elektrody w jego wnętrzu, w wyniku czego można zaobserwować obraz szczątkowy, inaczej „zjawę” (utrwalenie obrazu).

Aby uniknąć utrwalenia obrazu, firma Wacom zaleca włączanie wygaszacza ekranu, gdy ekran jest włączony, ale bezczynny.

### Konserwacja tabletu LCD do podpisów

Pióro i powierzchnia ekranu LCD powinny być utrzymywane w czystości. Kurz lub zabrudzenia mogą osiadać na piórze, powodując nadmierne zużycie powierzchni ekranu. Regularne czyszczenie umożliwia wydłużenie okresu korzystania z ekranu LCD i pióra. Tablety oraz pióro należy przechowywać w czystym, suchym miejscu oraz utrzymywać z dala od ekstremalnych temperatur. Najlepsza dla urządzenia jest temperatura pokojowa. Produkt i pióro nie są przeznaczone do demontażu. Próby demontażu produktu unieważniają gwarancję.

### Czyszczenie

Aby oczyścić obudowę produktu lub pióro, użyj miękkiej, wilgotnej szmatki. Szmatkę można również zwilżyć wodą z rozpuszczonym łagodnym mydłem. Nie należy czyścić obudowy urządzenia bądź pióra za pomocą rozpuszczalnika do farb, benzyny, alkoholu ani innych rozpuszczalników.

Aby wyczyścić powierzchnię ekranu, użyj antystatycznej bądź lekko wilgotnej szmatki. Podczas czyszczenia należy wywierać jedynie delikatny nacisk na powierzchnię ekranu i nie doprowadzać do jej zamoczenia. Do czyszczenia powierzchni ekranu nie należy używać detergentów, ponieważ mogą ją uszkodzić. Należy pamiętać, że tego typu uszkodzenia nie są objęte gwarancją.

## Dane techniczne produktu

### STU-430

#### Ogólne dane techniczne

Model/marka	STU-430
Wymiary (szer. x głęb. x wys.)	161,43 x 174,37 x 10,85 mm
Waga	Urządzenie główne: około 0,279 kg
Temperatura i wilgotność podczas pracy	od 5 do 40°C, wilgotność względna: od 30% do 80% (bez kondensacji)
Temperatura i wilgotność podczas przechowywania	od -20 do 60°C, wilgotność względna: od 30% do 90% (bez kondensacji)
Przewody interfejsu	USB typ A do USB mini-B
Pobór mocy	Maksymalnie 1,0 W

#### Ekran

Panel ekranowy	FSTN Positive Reflective
Rozmiar ekranu	4,5 cali
Liczba pikseli	320 x 200
Rozmiar piksela	0,30 (H) x 0,30 (V) mm
Jakość wyświetlacza LCD	Każdy panel LCD jest wytwarzany przy zachowaniu najwyższych standardów jakościowych. Technologia produkcji nie może zapewnić całkowicie doskonałego wyświetlacza TFT. W firmie Wacom nie dopuszcza się występowania pikseli zawsze białych lub zawsze czarnych. Dopuszcza się występowanie niewielkiej liczby pikseli nieprawidłowo odwzorowujących barwy w pewnej części widma kolorów. Ich występowanie nie oznacza, że ekran jest uszkodzony.

#### Tablet piórkowy

Technologia odczytu	Technologia rezonansu elektromagnetycznego
Obszar aktywny	95,985 x 59,985 mm
Rozdzielczość	2540 lpi lub 0,01 mm/pkt
Precyzja	± 0,5 mm (środek), obszar brzegowy 1 (na szerokości 20 mm od krawędzi obszaru wyświetlania): ± 2,0 mm, obszar brzegowy 2 (na szerokości 3 mm od krawędzi obszaru wyświetlania): ± 4,0 mm

Wysokość odczytu	5 mm lub więcej (środek)
Maksymalna częstota próbkowania	200 pkt/s
Liczba poziomów nacisku	1024
Interfejs komunikacyjny	USB

#### Inne

Gniazdo blokady bezpieczeństwa	1
--------------------------------	---

### STU-530

#### Ogólne dane techniczne

Model/marka	STU-530
Wymiary (szer. x głęb. x wys.)	161,43 x 174,37 x 10,85 mm
Waga	Urządzenie główne: około 0,289 kg
Temperatura i wilgotność podczas pracy	od 5 do 40°C, wilgotność względna: od 30% do 80% (bez kondensacji)
Temperatura i wilgotność podczas przechowywania	od -20 do 60°C, wilgotność względna: od 30% do 90% (bez kondensacji)
Przewody interfejsu	USB typ A do USB mini-B
Pobór mocy	Maksymalnie 2,5 W

#### Ekran

Panel ekranowy	Amorphous-TFT-LCD
Rozmiar ekranu	5,0 cali (108,0 x 64,8 mm)
Liczba pikseli	800 x 480, WVGA
Rozmiar piksela	0,135 (H) x 0,135 (V) mm
Jakość wyświetlacza LCD	Każdy panel LCD jest wytwarzany przy zachowaniu najwyższych standardów jakościowych. Technologia produkcji nie może zapewnić całkowicie doskonałego wyświetlacza TFT. W firmie Wacom nie dopuszcza się występowania pikseli zawsze białych lub zawsze czarnych. Dopuszcza się występowanie niewielkiej liczby pikseli nieprawidłowo odwzorowujących barwy w pewnej części widma kolorów. Ich występowanie nie oznacza, że ekran jest uszkodzony.

#### Tablet piórkowy

Technologia odczytu	Technologia rezonansu elektromagnetycznego
Obszar aktywny	108,0 x 64,8 mm

PL

Rozdzielczość	2540 lpi lub 0,01 mm/pkt
Precyzja	± 0,5 mm (środek), obszar brzegowy 1 (na szerokości 20 mm od krawędzi obszaru wyświetlania): ± 2,0 mm, obszar brzegowy 2 (na szerokości 3 mm od krawędzi obszaru wyświetlania): ± 4,0 mm
Wysokość odczytu	5 mm lub więcej (środek)
Maksymalna częstota próbkowania	200 pkt/s
Liczba poziomów nacisku	1024
Interfejs komunikacyjny	USB

## Inne

Gniazdo blokady bezpieczeństwa	1
--------------------------------	---

## Pióro UP-610-89A-1

Wymiary fizyczne (dł. x gł.)	140,5 * 9,0 mm
Waga	około 7 g
Skok końcówki pióra	około 0,2 mm

PL

## Gwarancje

### Ograniczona gwarancja (Stany Zjednoczone i Kanada)

Firma Wacom udziela niniejszym pierwotnemu nabywcy gwarancji, że produkt, z wyłączeniem Oprogramowania oraz materiałów eksploatacyjnych, takich jak akumulator, wkłady pióra, folia zabezpieczająca powierzchnię tabletu czy końcówki pióra, eksploatowany w zwykłych warunkach, będzie wolny od wad materiałowych oraz wad fabrycznych (w jakości wykonania) przez okres 3 (trzech) lat od daty pierwotnego zakupu od sprzedawcy detalicznego, potwierdzonej dowodem zakupu oraz rejestracją w firmie Wacom w terminie 30 dni od daty zakupu.

Firma Wacom udziela licencji na użytkowanie Oprogramowania w postaci takiej, w jakiej się ono znajduje. Tym samym firma Wacom nie udziela jakiegokolwiek gwarancji odnośnie do jakości bądź wydajności Oprogramowania. Wacom nie może zagwarantować nieprzerwanego świadczenia usług oraz dostarczenia poprawek dotyczących jakichkolwiek błędów.

W przypadku wykrycia wady w produkcie, z wyłączeniem Oprogramowania, w Okresie gwarancji, należy skontaktować się z Działem pomocy technicznej Wacom telefonicznie, za pomocą poczty elektronicznej lub telefaksu w celu uzyskania numeru RMA (ang. Return Merchandise Authorization; Zgoda na zwrot towaru) oraz wytycznych co do wysyłki produktu do punktu serwisowego wskazanego przez Wacom. Należy wysłać produkt (opłaty związane z wysyłką muszą zostać uiszczone z góry) do wskazanego punktu serwisowego z załączoną informacją o numerze RMA oraz wskazaniem imienia i nazwiska osoby składającej reklamację, jej adresu i numeru telefonu, dowodem daty zakupu oraz opisem wady. Wacom pokryje koszty wysyłki zwrotnej za pośrednictwem firmy United Parcel Service lub też za pośrednictwem równoważnej firmy kurierskiej wybranej przez Wacom.

Wyłącznym zobowiązaniem firmy Wacom w ramach niniejszej gwarancji jest naprawa bądź wymiana (według uznania firmy Wacom) wadliwego produktu lub jego części, jeśli firma Wacom zostanie powiadomiona o wadzie w Okresie gwarancyjnym, z tym jednakże zastrzeżeniem, że osoba składająca reklamację ponosi odpowiedzialność za (i) koszty transportu produktu do wskazanego punktu serwisowego oraz (ii) za wszelkie uszkodzenia, które odniesie produkt w wyniku takiego transportu.

Firma Wacom nie jest zobowiązana do dokonania naprawy bądź wymiany produktu, jeśli awaria produktu jest wynikiem wypadku, nadmiernego użycia, niewłaściwego użycia, zaniedbania lub niedozwolonych modyfikacji bądź naprawy, jak również w przypadku, gdy produkt był traktowany lub przechowywany w sposób sprzeczny z wytycznymi firmy Wacom odnośnie do przechowywania.

Wszelkie opisy, rysunki, specyfikacje, próbki, modele, biuletyny lub inne podobne materiały wykorzystywane w związku ze sprzedażą produktu, nie będą traktowane jako udzielenie wyrażonej gwarancji, co do tego, że produkt spełni lub będzie zgodny z wymaganiami użytkownika.

POZA OGRANICZONĄ GWARANCJĄ, KTÓREJ WARUNKI ZOSTAŁY OKREŚLONE POWYŻEJ, WACOM NIE UDZIELA JAKICHKOLWIEK INNYCH GWARANCJI ODNOŚNIE PRODUKTU. ŻADNE USTNE CZY PISEMNE INFORMACJE LUB PORADY PRZEKAZYWANE PRZEZ FIRMĘ WACOM, JEJ SPRZEDAWCÓW, DYSTRYBUTORÓW, AGENTÓW LUB PRACOWNIKÓW, NIE STANOWIĄ UDZIELENIA GWARANCJI ANI TEŻ NIE ROZSZERZA ZAKRESU NINIEJSZEJ GWARANCJI. NIE NALEŻY POLEGAĆ NA ŻADNYCH TAKICH INFORMACJACH CZY PORADACH.

NA PODSTAWIE NINIEJSZEJ GWARANCJI PRZYSŁUGUJĄ UŻYTKOWNIKOWI OKREŚLONE UPRAWNIENIA, A PONADTO MOGĄ MU PRZYSŁUGIWAĆ INNE UPRAWNIENIA WYNIKAJĄCE Z PRZEPISÓW DANEGO PRAWA STANOWEGO.

FIRMA WACOM OGRANICZA OKRES OBOWIĄZYWANIA GWARANCJI DOROZUMIANEJ (USTAWOWEJ), W TYM GWARANCJI PRZYDATNOŚCI HANDLOWEJ ORAZ GWARANCJI PRZYDATNOŚCI DO OKREŚLONEGO CELU, DO OKRESU OBOWIĄZYWANIA GWARANCJI WYRAŻONEJ UDZIELONEJ PRZEZ FIRMĘ WACOM. SYSTEMY PRAWNE NIEKTÓRYCH STANÓW NIE PRZEWIDUJĄ MOŻLIWOŚCI OGRANICZENIA OKRESU OBOWIĄZYWANIA GWARANCJI DOMYŚLNEJ (USTAWOWEJ).

ANI WACOM, ANI JAKAKOLWIEK INNA OSOBA, KTÓRA BYŁA ZAANGAŻOWANA W PROCES TWORZENIA, PRODUKCJI LUB DOSTAWY NINIEJSZEGO PRODUKTU NIE BĘDZIE PONOSIĆ ODPOWIEDZIALNOŚCI ODSZKODOWAWCZEJ Z TYTUŁU JAKICHKOLWIEK BEZPOŚREDNICH, WTÓRNYCH LUB UBOCZNYCH SZKÓD (W TYM SZKÓD ZWIĄZANYCH Z UTRATĄ ZYSKU, ZAKŁÓCENIAMI W DZIAŁALNOŚCI GOSPODARCZEJ, UTRATĄ INFORMACJI ZWIĄZANYCH Z PROWADZONĄ DZIAŁALNOŚCIĄ GOSPODARCZĄ ORAZ TEMU PODOBNYMI) WYNIKAJĄCYMI Z UŻYCIA LUB BRAKU UMIEJĘTNOŚCI UŻYCIA TAKIEGO PRODUKTU, NAWET W PRZYPADKU, GDY WACOM ZOSTAŁ POWIADOMIONY O MOŻLIWOŚCI WYSTĄPIENIA TAKICH SZKÓD. SYSTEMY PRAWNE NIEKTÓRYCH STANÓW NIE PRZEWIDUJĄ MOŻLIWOŚCI OGRANICZENIA ZAKRESU ODPOWIEDZIALNOŚCI ODSZKODOWAWCZEJ Z TYTUŁU SZKÓD UBOCZNYCH LUB WTÓRNYCH. W TAKICH PRZYPADKACH POWYŻSZE OGRANICZENIA LUB WYŁĄCZENIA NIE MAJĄ ZASTOSOWANIA.

W przypadku, gdy którekolwiek z powyższych ograniczeń zostanie uznane za bezskuteczne, odpowiedzialność firmy Wacom z tytułu jakichkolwiek szkód poniesionych przez użytkownika lub też jakkolwiek inną osobę nie może przekroczyć kwoty zapłaconej tytułem ceny sprzedaży, niezależnie od formy zgłaszanych roszczeń.

Niniejsza ograniczona gwarancja podlega prawu Stanów Zjednoczonych Ameryki oraz prawu Stanu Waszyngton.

Niniejsza Ograniczona gwarancja jest ważna i ma zastosowanie wyłącznie w odniesieniu do produktów zakupionych i używanych na terytorium Stanów Zjednoczonych (oraz terytoriów zależnych i posiadłości zamorskich USA) lub na terytorium Kanady.

## Serwis gwarancyjny

W celu uzyskania usług gwarancyjnych w USA i Kanadzie należy skontaktować się z:

Centrum obsługi klienta firmy Wacom

Telefon: 1-360-896-9833

Formularze zapytania dostępne na stronie: <http://www.wacom.com/productsupport/email.cfm>

W razie jakichkolwiek pytań dotyczących niniejszej Umowy lub też w razie potrzeby skontaktowania się z Wacom z jakiegokolwiek powodu prosimy o kierowanie pisemnych zapytań na adres:

Wacom Technology Corporation

1311 SE Cardinal Court  
Vancouver, Washington 98683  
U.S.A.

## Ograniczona gwarancja (Ameryka Środkowa, Ameryka Południowa i Karaiby)

Firma Wacom udziela niniejszym pierwotnemu nabywcy gwarancji, że produkt, z wyłączeniem Oprogramowania oraz materiałów eksploatacyjnych, takich jak akumulator, wkłady pióra, folia zabezpieczająca powierzchnię tabletu czy końcówki pióra, eksploatowany w zwykłych warunkach, będzie wolny od wad materiałowych oraz wad fabrycznych (w jakości wykonania) przez okres 3 (trzech) lat od daty pierwotnego zakupu od sprzedawcy detalicznego, potwierdzonej dowodem zakupu oraz rejestracją w firmie Wacom w terminie 30 dni od daty zakupu.

Firma Wacom udziela licencji na użytkowanie Oprogramowania w postaci takiej, w jakiej się ono znajduje. Tym samym firma Wacom nie udziela jakiegokolwiek gwarancji odnośnie do jakości bądź wydajności Oprogramowania. Firma Wacom nie może zagwarantować nieprzerwanej pracy ani korygowania błędów.

W przypadku wykrycia wady w produkcie, z wyłączeniem Oprogramowania, w Okresie gwarancji, należy skontaktować się z Działem pomocy technicznej firmy Wacom telefonicznie, za pomocą poczty elektronicznej lub telefaksu w celu uzyskania numeru RMA (ang. Return Merchandise Authorization; Zgoda na zwrot towaru) oraz wytycznych co do wysyłki produktu do punktu serwisowego wskazanego przez firmę Wacom. Należy wysłać produkt (opłaty związane z wysyłką muszą zostać uiszczzone z góry) do wskazanego punktu serwisowego z załączoną informacją o numerze RMA oraz wskazaniem imienia i nazwiska osoby składającej reklamację, jej adresu i numeru telefonu, dowodem daty zakupu oraz opisem wady. Wacom pokryje koszty wysyłki zwrotnej za pośrednictwem firmy United Parcel Service lub też za pośrednictwem równoważnej firmy kurierskiej wybranej przez Wacom.

Wyłącznym zobowiązaniem firmy Wacom w ramach niniejszej gwarancji jest naprawa bądź wymiana (według uznania firmy Wacom) wadliwego produktu lub jego części, jeśli firma Wacom zostanie powiadomiona o wadzie w Okresie gwarancyjnym, z tym jednakże zastrzeżeniem, że osoba składająca reklamację ponosi odpowiedzialność za (i) koszty transportu produktu do wskazanego punktu serwisowego oraz (ii) za wszelkie uszkodzenia, które odniesie produkt w wyniku takiego transportu.

Firma Wacom nie jest zobowiązana do dokonania naprawy bądź wymiany produktu, jeśli awaria produktu jest wynikiem wypadku, nadmiernego użycia, niewłaściwego użycia, zaniedbania lub niedozwolonych modyfikacji bądź naprawy, jak również w przypadku, gdy produkt był traktowany lub przechowywany w sposób sprzeczny z wytycznymi firmy Wacom odnośnie do przechowywania.

PL

Wszelkie opisy, rysunki, specyfikacje, próbki, modele, biuletyny lub inne podobne materiały wykorzystywane w związku ze sprzedażą produktu, nie będą traktowane jako udzielenie wyraźnej gwarancji, co do tego, że produkt spełni lub będzie zgodny z wymaganiami użytkownika.

POZA OGRANICZONĄ GWARANCJĄ, KTÓREJ WARUNKI ZOSTAŁY OKREŚLONE POWYŻEJ, WACOM NIE UDZIELA JAKICHKOLWIEK INNYCH GWARANCJI ODNOŚNIE PRODUKTU. ŻADNE USTNE LUB PISEMNE INFORMACJE LUB PORADY UDZIELONE PRZEZ WACOM, JEJ DEALERÓW, DYSTRYBUTORÓW, AGENTÓW LUB PRACOWNIKÓW, NIE BĘDĄ STANOWIŁY UDZIELENIA GWARANCJI, ANI TEŻ NIE ROZSZERZĄ ZAKRESU NINIEJSZEJ GWARANCJI. NIE NALEŻY POLEGAĆ NA ŻADNYCH TAKICH PORADACH LUB INFORMACJACH.

NA PODSTAWIE NINIEJSZEJ GWARANCJI PRZYSŁUGUJĄ UŻYTKOWNIKOWI OKREŚLONE UPRAWNIENIA, A PONADTO MOGĄ MU PRZYSŁUGIWAĆ INNE UPRAWNIENIA WYNIKAJĄCE Z PRZEPISÓW PRAWA DANEGO KRAJU.

FIRMA WACOM OGRANICZA OKRES OBOWIĄZYWANIA GWARANCJI DOROZUMIANEJ (USTAWOWEJ), W TYM GWARANCJI PRZYDATNOŚCI HANDLOWEJ ORAZ GWARANCJI PRZYDATNOŚCI DO OKREŚLONEGO CELU, DO OKRESU OBOWIĄZYWANIA GWARANCJI WYRAŹNEJ UDZIELONEJ PRZEZ FIRMĘ WACOM. SYSTEMY PRAWNE NIEKTÓRYCH KRAJÓW NIE PRZEVIDUJĄ MOŻLIWOŚCI OGRANICZENIA OKRESU OBOWIĄZYWANIA GWARANCJI DOMYŚLNEJ (USTAWOWEJ).

ANI WACOM, ANI JAKAKOLWIEK INNA OSOBA, KTÓRA BYŁA ZAANGAŻOWANA W PROCES TWORZENIA, PRODUKCJI LUB DOSTAWY NINIEJSZEGO PRODUKTU NIE BĘDZIE PONOSIĆ ODPOWIEDZIALNOŚCI ODSZKODOWAWCZEJ Z TYTUŁU JAKICHKOLWIEK BEZPOŚREDNICH, WTÓRNYCH LUB UBOCZNYCH SZKÓD (W TYM SZKÓD ZWIĄZANYCH Z UTRATĄ ZYSKU, ZAKŁÓCENIAMI W DZIAŁALNOŚCI GOSPODARCZEJ, UTRATĄ INFORMACJI ZWIĄZANYCH Z PROWADZONĄ DZIAŁALNOŚCIĄ GOSPODARCZĄ ORAZ TEMU PODOBNYM) WYNIKAJĄCYMI Z UŻYCIA LUB BRAKU UMIEJĘTNOŚCI UŻYCIA TAKIEGO PRODUKTU, NAWET W PRZYPADKU, GDY WACOM ZOSTAŁ POWIADOMIONY O MOŻLIWOŚCI WYSTĄPIENIA TAKICH SZKÓD. SYSTEMY PRAWNE NIEKTÓRYCH KRAJÓW NIE PRZEVIDUJĄ MOŻLIWOŚCI OGRANICZENIA ZAKRESU ODPOWIEDZIALNOŚCI ODSZKODOWAWCZEJ Z TYTUŁU SZKÓD UBOCZNYCH LUB WTÓRNYCH. W TAKICH PRZYPADKACH POWYŻSZE OGRANICZENIA LUB WYŁĄCZENIA NIE MAJĄ ZASTOSOWANIA.

W przypadku, gdy którekolwiek z powyższych ograniczeń zostanie uznane za bezskuteczne, odpowiedzialność firmy Wacom z tytułu jakichkolwiek szkód poniesionych przez użytkownika lub też jakąkolwiek inną osobę nie może przekroczyć kwoty zapłaconej tytułem ceny sprzedaży, niezależnie od formy zgłaszanych roszczeń.

Niniejsza ograniczona gwarancja podlega prawu Stanów Zjednoczonych Ameryki oraz prawu Stanu Waszyngton.

Niniejsza ograniczona gwarancja jest ważna i ma zastosowanie wyłącznie w odniesieniu do produktów zakupionych i używanych na terytorium Ameryki Środkowej, Ameryki Południowej oraz Karaibów.

## Serwis gwarancyjny

Aby skorzystać z opcji Naprawy gwarancyjnej na terenie Ameryki Środkowej, Ameryki Południowej lub Karaibów, należy skontaktować się z lokalnym sprzedawcą lub dystrybutorem.

Centrum obsługi klienta firmy Wacom

Hiszpański: <http://www.wacom.com/sp/productsupport/email.cfm>

Portugalski: <http://www.wacom.com/pr/productsupport/email.cfm>

W razie jakichkolwiek pytań dotyczących niniejszej Umowy lub też w razie potrzeby skontaktowania się z Wacom z jakiegokolwiek powodu prosimy o kierowanie pisemnych zapytań na adres:

Wacom Technology Corporation  
1311 SE Cardinal Court  
Vancouver, Washington 98683  
U.S.A.

## Ograniczona gwarancja (Europa, Afryka i Bliski Wschód)

Firma WACOM udziela niniejszym pierwotnemu nabywcy (zwanemu dalej „Użytkownikiem” lub „Klientem”) gwarancji, że produkt sprzętowy będzie wolny od wad materiałowych i fabrycznych (w jakości wykonania) przez okres 3 (TRZECH) LAT

od daty zakupu nowego produktu. Uszkodzenia części zużywających się (np. końcówek pióra, powierzchni tabletu i akumulatorów) wynikające z normalnego zużycia nie podlegają gwarancji. Firma WACOM udziela ponadto gwarancji na nośniki danych dostarczone wraz z produktem co do braku wad materiałowych i fabrycznych w warunkach normalnego użytkowania przez okres SZEŚCIU (6) MIESIĘCY od daty zakupu.

W przypadku wykrycia wady w produkcie, z wyłączeniem jakiegokolwiek oprogramowania, w stosownym okresie gwarancji, należy zwrócić produkt w oryginalnym opakowaniu do miejsca jego zakupu oraz należy podać informacje dotyczące imienia i nazwiska osoby składającej reklamację, jej adresu, numeru telefonu oraz opis problemu i kopię oryginalnego rachunku. Klient ponosi odpowiedzialność za jakiegokolwiek uszkodzenia produktu lub straty podczas transportu produktu do miejsca zakupu.

Wyłącznym zobowiązaniem firmy WACOM w ramach niniejszej gwarancji jest naprawa bądź wymiana (według uznania firmy WACOM) produktu lub jego części, jeśli zostanie wykazana wadliwość produktu, a produkt zostanie zwrócony w okresie gwarancyjnym.

Firma WACOM nie gwarantuje naprawy lub wymiany produktu, jeśli: (a) uszkodzenie produktu było wynikiem wypadku, niewłaściwego użycia, zaniedbania lub też niedozwolonych modyfikacji bądź napraw; (b) produkt nie był obsługiwany lub przechowywany zgodnie z instrukcjami dostarczonymi przez firmę WACOM; (c) uszkodzenie było wynikiem normalnego zużycia części składowych produktu; (d) numer seryjny umieszczony na produkcie przez firmę WACOM został usunięty lub jest nieczytelny.



Wszelkie opisy, rysunki, specyfikacje, próbki, modele, powiadomienia i inne podobne materiały wykorzystywane w związku z zakupem produktu nie mogą być traktowane jako udzielenie wyraźnej gwarancji co do tego, że produkt spełni wymagania użytkownika.

Gwarancja zapewniona przepisami prawa pozostanie nienaruszona. Użytkownik może zgłaszać uszkodzenia produktu zgodnie z zapisami odpowiednich przepisów prawa.

W przypadku karygodnego naruszenia materialnych zobowiązań kontraktowych w sposób zagrażający celowi kontraktu lub uszkodzenia wynikającego z zamierzonych działań, zaniechań lub rażących zaniechań, firma WACOM będzie odpowiedzialna jedynie za siebie i występujących w jej imieniu przedstawicieli. Materialne zobowiązania kontraktowe stanowią zobowiązanie o zasadniczym znaczeniu dla właściwej realizacji kontraktu, na którym zwyczajowo polega druga strona. W przypadku, gdy karygodne naruszenie takiego istotnego zobowiązania kontraktowego nie jest celowe ani nie wynika z rażącego zaniechania, odpowiedzialność strony będzie ograniczona do typowych odszkodowań w ramach danego kontraktu, przewidzianych w momencie zawarcia kontraktu. Tam, gdzie niniejsze warunki i postanowienia wyłączają lub ograniczają odpowiedzialność, odnosi się to również do odpowiedzialności osobistej kadry dyrektorskiej danej strony, jej pracowników, przedstawicieli i podwykonawców. Przepisy dotyczące odpowiedzialności za produkt (Produkthaftungsgesetz) nie ulegają zmianie.

W przypadku, gdy w wyniku przeprowadzonego postępowania wyjaśniającego okaże się, że roszczenia zgłoszone na podstawie gwarancji zostały złożone po okresie gwarancji lub przekraczają zakres udzielonej gwarancji, jak też w przypadku, gdy okaże się, że produkt nie jest wadliwy, klient zwróci firmie WACOM poniesione koszty.

Niniejsza ograniczona gwarancja znajduje zastosowanie w przypadku, gdy zarejestrowane biuro sprzedawcy znajduje się na terytorium Unii Europejskiej lub w Islandii, w Norwegii, na wyspie Jersey, w Szwajcarii, Rosji, na Ukrainie, w Chorwacji, Serbii, Tunezji, Turcji, Syrii, Libanie, Jordanie, Izraelu, Egipcie, Zjednoczonych Emiratach Arabskich, Iranie lub RPA. Niniejsza gwarancja podlega przepisom prawa w Niemczech. Jednakże zastosowanie Konwencji Narodów Zjednoczonych o umowach międzynarodowej sprzedaży towarów jest jawnie wykluczone. Wszelkie skargi wynikające ze stosunków kontraktowych, a także wszelkie spory pomiędzy stronami wynikające z nawiązania, obsługi i zakończenia stosunków kontraktowych, przy założeniu, że klient jest podmiotem handlowym, podmiotem prawnym lub funduszem specjalnym podlegającym prawu publicznemu, podlegają wyłącznej jurysdykcji sądu w niemieckim mieście Krefeld. Umowa sądowa obowiązuje także klientów, których główna siedziba nie podlega jurysdykcji sądów w Niemczech. Umowa sądowa nie obowiązuje w sytuacjach, w których ze względu na postanowienia prawne należy dla danego przypadku wyznaczyć wyłączną jurysdykcję.

Ponadto firma WACOM jest upoważniona do wniesienia sprawy przeciwko głównej siedzibie klienta.

Jeśli ktoś z postanowień niniejszej ograniczonej gwarancji zostało lub zostanie unieważnione, ważność pozostałych postanowień nie ulegnie zmianie, w całości ani w części. W przypadku gdy takie postanowienie zostanie unieważnione, zostanie zastąpione dozwoloną przez prawo regulacją najbardziej zbliżoną do unieważnionego postanowienia. W razie jakichkolwiek pytań dotyczących niniejszej umowy lub też w razie potrzeby skontaktowania się z firmą WACOM z jakiegokolwiek innego powodu prosimy o kierowanie pisemnych zapytań pod adres:

WACOM Europe GmbH  
Europark Fichtenhain A9  
47807 Krefeld  
NIEMCY

## Ograniczona gwarancja (region Azji i Pacyfiku)

Firma Wacom Wacom Co., Ltd. udziela niniejszym pierwotnemu nabywcy gwarancji, że produkt eksploatowany w zwykłych warunkach będzie wolny od wad materiałowych oraz wad fabrycznych (w jakości wykonania) przez okres 1 (jednego) roku od daty pierwotnego zakupu od sprzedawcy detalicznego, potwierdzonej dowodem zakupu.

Firma Wacom udziela licencji na Oprogramowanie w postaci, w jakiej się znajduje. Tym samym firma Wacom nie udziela jakiegokolwiek gwarancji odnośnie do jakości, wydajności czy innych cech Oprogramowania. Wacom nie może zagwarantować nieprzerwanego świadczenia usług oraz dostarczenia poprawek dotyczących jakichkolwiek błędów. Firma Wacom ponadto nie udziela gwarancji na materiały eksploatacyjne, takie jak akumulator, wkłady pióra, folia zabezpieczająca powierzchnię tabletu oraz końcówki pióra.

Po odkryciu wady w produkcie, z wyjątkiem Oprogramowania, w trakcie Okresu gwarancyjnego, użytkownik musi skontaktować się z miejscem zakupu urządzenia, aby uzyskać informacje dotyczące zwrotu produktu w celu jego wymiany lub naprawy. Firma Wacom i jej firmy partnerskie nie są zobowiązane do zwrotu przedpłaconych niezaprobowanych opłat za dostawę.

Posiadacz gwarancji nie ma obowiązku pokrycia opłat za dostawę pomiędzy miejscem zakupu a miejscem dokonania naprawy lub wymiany.

Wyłącznym zobowiązaniem firmy Wacom w ramach niniejszej gwarancji jest naprawa bądź wymiana (według uznania firmy Wacom) produktu lub jego części, jeśli firma zostanie o tym powiadomiona w trakcie Okresu gwarancyjnego.

Firma Wacom nie ponosi odpowiedzialności za naprawę lub wymianę produktu, jeśli jego awaria jest skutkiem działania siły wyższej, a w szczególności pożaru, klęski żywiołowej, wypadku, wypadku losowego, zamierzonego lub przypadkowego nadużycia, błędnego użycia, zaniechania, modyfikacji lub naprawy bez upoważnienia, użytkownika produktu w sposób inny niż wskazany w instrukcji obsługi, albo jeśli produkt był obsługiwany lub przechowywany niezgodnie z instrukcjami dotyczącymi przechowywania sformułowanymi przez firmę Wacom.

Wszelkie opisy, rysunki, specyfikacje, próbki, modele, biuletyny lub inne podobne materiały wykorzystywane w związku ze sprzedażą produktu, nie będą traktowane jako udzielenie wyraźnej gwarancji, co do tego, że produkt spełni lub będzie zgodny z wymaganiami użytkownika.

POZA OGRANICZONĄ GWARANCJĄ, KTÓREJ WARUNKI ZOSTAŁY OKREŚLONE POWYŻEJ, WACOM NIE UDZIELA JAKICHKOLWIEK INNYCH GWARANCJI ODNOŚNIE PRODUKTU. ŻADNE USTNE LUB PISEMNE INFORMACJE LUB PORADY UDZIELONE PRZEZ WACOM, JEJ DEALERÓW, DYSTRYBUTORÓW, AGENTÓW LUB PRACOWNIKÓW,

PL

NIE BĘDĄ STANOWIŁY UDZIELENIA GWARANCJI, ANI TEŻ NIE ROZSZERZĄ ZAKRESU NINIEJSZEJ GWARANCJI. NIE NALEŻY POLEGAĆ NA ŻADNYCH TAKICH PORADACH LUB INFORMACJACH. NA PODSTAWIE NINIEJSZEJ GWARANCJI PRZYSŁUGUJĄ UŻYTKOWNIKOWI OKREŚLONE UPRAWNIENIA, A PONADTO MOGĄ MU PRZYSŁUGIWAĆ INNE UPRAWNIENIA WYNIKAJĄCE Z PRZEPISÓW PRAWA DANEGO KRAJU.

WACOM OGRANICZA OKRES OBOWIĄZYWANIA GWARANCJI DOROZUMIANEJ (USTAWOWEJ), W TYM GWARANCJI PRZYDATNOŚCI HANDLOWEJ ORAZ GWARANCJI PRZYDATNOŚCI DO OKREŚLONEGO CELU, DO OKRESU OBOWIĄZYWANIA GWARANCJI WYRAŻONEJ UDZIELONEJ PRZEZ WACOM POWYŻEJ.

SYSTEMY PRAWNE NIEKTÓRYCH KRAJÓW NIE PRZEWIDUJĄ MOŻLIWOŚCI OGRANICZENIA OKRESU OBOWIĄZYWANIA GWARANCJI DOMYŚLNEJ (USTAWOWEJ).

ANI WACOM, ANI JAKAKOLWIEK INNA OSOBA, KTÓRA BYŁA ZAANGAŻOWANA W PROCES TWORZENIA, PRODUKCJI LUB DOSTAWY NINIEJSZEGO PRODUKTU NIE BĘDZIE PONOSIĆ ODPOWIEDZIALNOŚCI ODSZKODOWAWCZEJ Z TYTUŁU JAKICHKOLWIEK BEZPOŚREDNICH, WTÓRNYCH LUB UBOCZNYCH SZKÓD (W TYM SZKÓD ZWIĄZANYCH Z UTRATĄ ZYSKU, ZAKŁÓCENIAMI W DZIAŁALNOŚCI GOSPODARCZEJ, UTRATĄ INFORMACJI ZWIĄZANYCH Z PROWADZONĄ DZIAŁALNOŚCIĄ GOSPODARCZĄ ORAZ TEMU PODOBNYMI) WYNIKAJĄCYMI Z UŻYCIA LUB BRAKU UMIEJĘTNOŚCI UŻYCIA TAKIEGO PRODUKTU, NAWET W PRZYPADKU, GDY WACOM ZOSTAŁ POWIADOMIONY O MOŻLIWOŚCI WYSTĄPIENIA TAKICH SZKÓD. SYSTEMY PRAWNE NIEKTÓRYCH KRAJÓW NIE PRZEWIDUJĄ MOŻLIWOŚCI OGRANICZENIA ZAKRESU ODPOWIEDZIALNOŚCI ODSZKODOWAWCZEJ Z TYTUŁU SZKÓD UBOCZNYCH LUB WTÓRNYCH. W TAKICH PRZYPADKACH POWYŻSZE OGRANICZENIA LUB WYŁĄCZENIA NIE MAJĄ ZASTOSOWANIA.

W przypadku, gdy którekolwiek z powyższych ograniczeń zostanie uznane za bezskuteczne odpowiedzialność Wacom z tytułu jakichkolwiek szkód odniesionych przez użytkownika lub też jakąkolwiek inną osobę nie może przekroczyć kwoty zapłaconej tytułem ceny sprzedaży, niezależnie od formy zgłaszanych roszczeń.

Niniejsza Ograniczona gwarancja obowiązuje dla — i dotyczy wyłącznie — produktów zakupionych i użytkowanych na terenie krajów i terytoriów regionu Azji i Pacyfiku, z wyjątkiem Japonii, Chińskiej Republiki Ludowej, Hongkongu oraz krajów Bliskiego Wschodu.

Niniejsza Ograniczona gwarancja jest zgodna z aktualnymi zasadami gwarancji, obowiązującymi w oddziale firmy Wacom Co., Ltd. na region Azji i Pacyfiku i ma moc nadrzędną w stosunku do wszelkich gwarancji umieszczonych w opakowaniach, broszurach, instrukcjach itp.

Niniejszą Ograniczoną gwarancję regulują przepisy prawa japońskiego oraz może ona ulec zmianie bez uprzedniego powiadomienia.

Australijskie prawo o ochronie konsumentów Nasze towary są objęte gwarancjami nie podlegającymi wyłączeniu na mocy Australijskiego prawa o ochronie konsumentów. Użytkownik jest uprawniony do wymiany produktu lub zwrotu poniesionych kosztów w przypadku uszkodzenia głównego oraz do odszkodowania za inne zasadne i możliwe do przewidzenia straty lub szkody. Użytkownik jest również uprawniony do naprawy lub wymiany towaru, jeśli jego jakość jest nie do zaakceptowania a defekt nie jest równoznaczny z uszkodzeniem głównym. Sprzęt firmy Wacom podlega gwarancji na okres jednego (1) roku udzielonej przez Wacom Co., Ltd. wraz ze spółką zależną z siedzibą pod adresem:

Wacom Australia Pty. Ltd. Ground floor, Building 1,3 Richardson Place, North Ryde, NSW, 2113 Australia Jeśli produkt nie posiada cech i funkcji ogólnych opisanych w dokumentacji użytkownika przez okres 1 (jednego) roku od dostarczenia produktu, należy skontaktować się z Wacom Australia Pty. Ltd. pod numerem +61-29422-6700, przekazując szczegóły dotyczące produktu, jego numer seryjny oraz dowód zakupu. Użytkownik może być zobowiązany do zwrotu produktu na adres podany przez firmę Wacom. Taki zwrot będzie dokonywany na koszt użytkownika. Korzyści zagwarantowane na mocy niniejszej gwarancji stanowią korzyści dodatkowe w stosunku do innych praw i środków prawnych przysługujących użytkownikowi na mocy prawa.

Serwis gwarancyjny / Pomoc techniczna firmy Wacom w regionie Azji i Pacyfiku (z wyjątkiem Japonii, Chińskiej Republiki Ludowej, Hongkongu oraz krajów Bliskiego Wschodu) Szczegółowe informacje dotyczące zasad ograniczonej gwarancji w regionie Azji i Pacyfiku można znaleźć na stronie internetowej pod adresem <http://www.wacom.asia/customer-care>

Aby uzyskać pomoc techniczną lub serwis gwarancyjny w regionie Azji Południowo-Wschodniej, Oceanii i Tajwanu, należy skontaktować się z Centrum obsługi klienta firmy Wacom. Numery telefonu można znaleźć na stronie:

<http://wacom-wapcc.com/inquiry/create>

W razie jakichkolwiek pytań dotyczących niniejszej Umowy lub też w razie potrzeby skontaktowania się z firmą Wacom z jakiegokolwiek powodu prosimy o kontakt z następującej strony internetowej:

<http://wacom-wapcc.com/inquiry/create>

## INFORMACJE DOT. RECYKLINGU I UTYLIZACJI

### ROHS W UE

Produkty firmy Wacom są zgodne z dyrektywą RoHS 2002/95/WE Unii Europejskiej w sprawie ograniczenia stosowania niektórych niebezpiecznych substancji w urządzeniach elektrycznych i elektronicznych.

### INFORMACJE DOT. UTYLIAZACJI W UE (WEEE)



Ponowne użycie, recykling oraz odzyskiwanie. Użytkownik jest zobowiązany do przetworzenia produktu poprzez przekazanie go do odpowiedniego lokalnego punktu skupu materiałów przetwarzalnych w momencie zastąpienia go nowszym egzemplarzem lub po upływie czasu jego użyteczności.

Przysłuży się to do poprawy środowiska naturalnego oraz zminimalizuje potencjalne negatywne skutki w przypadku kontaktu substancji niebezpiecznych obecnych w odpadach ze środowiskiem naturalnym.

Zgodnie z opracowaną przez Parlament Europejski oraz Radę Europejską Dyrektywą 2002/96/WE z dnia 27 stycznia 2003, lub odpowiadającymi jej lokalnymi przepisami krajów członkowskich, zabrania się usuwania zużytego sprzętu elektrycznego oraz elektronicznego wraz z nie sortowanymi odpadami komunalnymi. Produkty podlegające powyższym przepisom są oznaczone symbolem WEEE widocznym na początku tej uwagi. Powyższe nie ma zastosowania, gdy rozmiar lub funkcja produktu to uniemożliwiają. Produkty firmy Wacom podlegają Dyrektywie 2002/96/WE, tak więc należy oddzielać je od innych odpadów i dostarczać do lokalnego punktu skupu materiałów

### DEKLARACJE ZGODNOŚCI

## DEKLARACJA CE

Produkty firmy Wacom (STU-430, STU-530) są zgodne z następującymi dyrektywami:

Dyrektywa EMC 2004/108/WE

Ujednolicone testy i normy europejskie służące do oceny zgodności produktów z niniejszą deklaracją są dostępne na stronie internetowej firmy Wacom (<http://www.wacom.eu/certificates>).

Na podstawie wyników tych testów firma Wacom deklaruje zgodność z wymogami, którą potwierdza oznaczenie CE umieszczone na powyższych produktach.

Produkty muszą być instalowane i użytkowane ściśle według instrukcji zawartych w niniejszym dokumencie Ważne informacje o produkcie oraz w instrukcji obsługi.

Jakiegolwiek zmiany lub modyfikacje produktu przeprowadzone bez specjalnego uprawnienia firmy Wacom powodują unieważnienie tej deklaracji.

PL

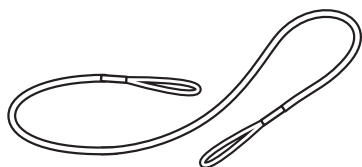
## Важная информация

Справочную информацию и сведения о технической поддержке для устройства можно найти в следующих разделах.

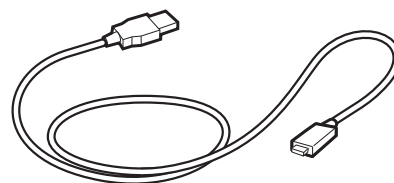
Справка и сведения о технической поддержке	Описание
Руководство по быстрому запуску (данное руководство)	Содержит основную информацию об устройствах STU-430 и STU-530. Включает сведения о подключении и использовании устройства. Также содержит сведения о мерах предосторожности, технические характеристики устройства и другую важную информацию. Внимательно прочтите эти сведения перед использованием.

RU

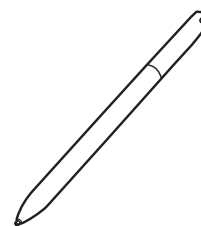
## Поставляемые принадлежности



Шнур пера



Содержит основную  
информацию об  
устройстве (3 м)



Перо

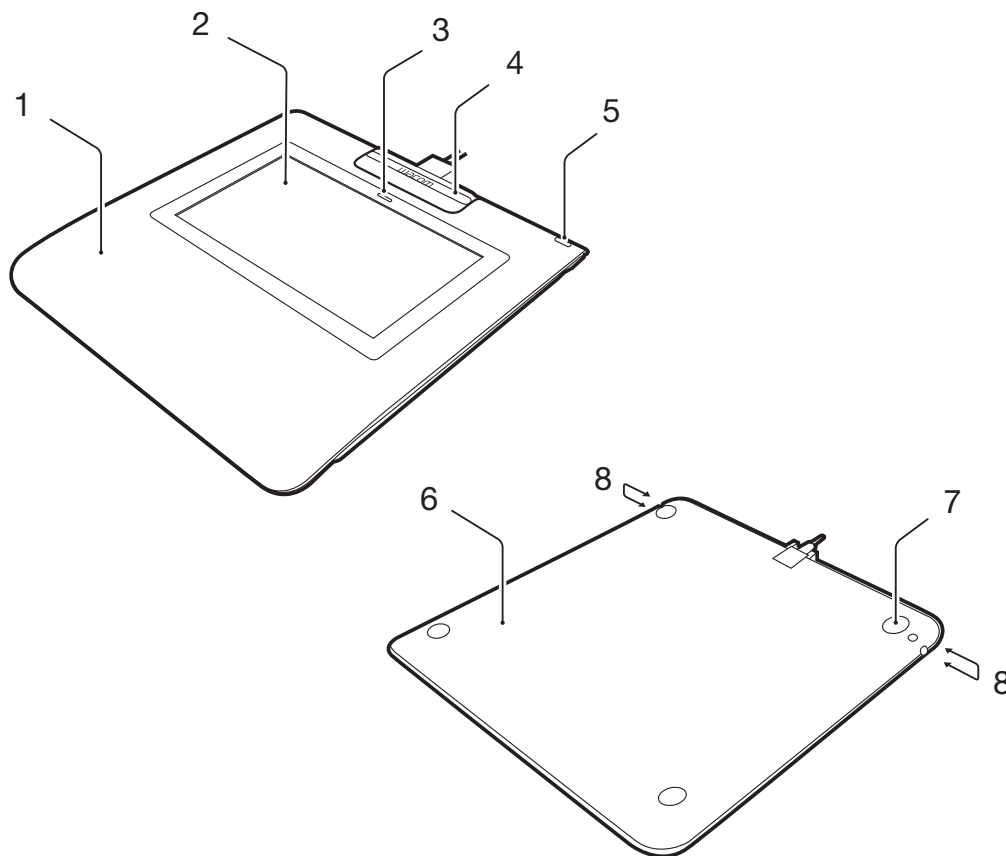


Руководство по  
быстрому запуску

RU

## Знакомство с устройством

1. Передняя часть корпуса
2. Область подписи
3. Индикатор
4. Держатель пера
5. Разъем для замка безопасности
6. Задняя часть корпуса
7. Ножки
8. Отверстие для шнура пера



RU

## Подключение устройства к компьютеру

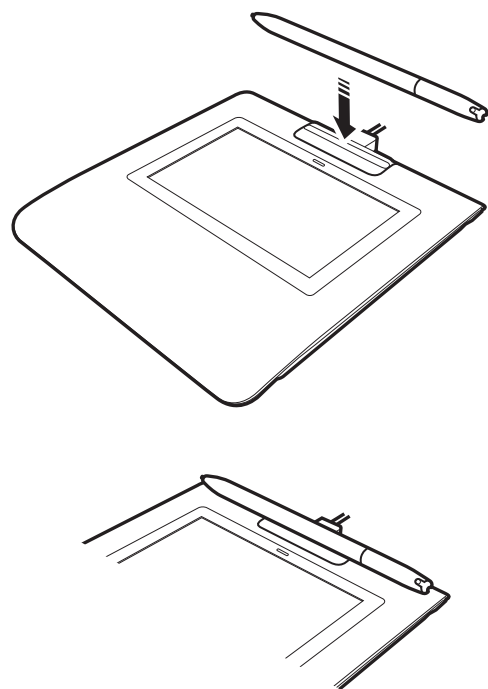
1. Выключите компьютер.
2. Подключите разъем USB к свободному USB-порту на компьютере.

Перед подключением кабеля USB к планшету для цифровой подписи необходимо снять держатель пера, чтобы получить доступ к разъему. Для этого сдвиньте держатель пера по направлению к верхней части планшета, а затем снимите его. После подключения кабеля USB, держатель пера можно установить на место. (Конструкция держателя пера обеспечивает надежное подключение кабеля USB для предотвращения случайного отсоединения.)

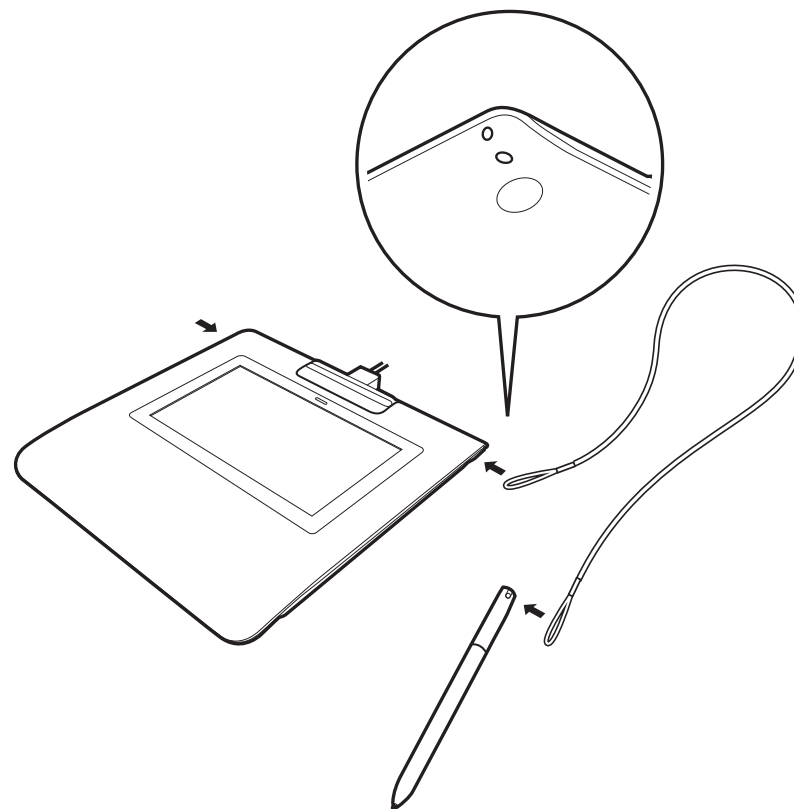


RU

## Держатель пера и шнур пера



## Отверстие для шнура пера



RU



## Регистрация устройства

Для стран Европы

Посетите веб-сайт [www.wacom.eu/register](http://www.wacom.eu/register)

## Техническая поддержка

Для стран Европы

Ознакомьтесь с разделом «Устранение неисправностей» в руководстве пользователя или перейдите на наш веб-сайт по адресу [www.wacom.eu](http://www.wacom.eu)

Техническая поддержка доступна с понедельника по пятницу с 11:00 до 20:00 (по московскому времени).

Информацию о возможностях технической поддержки для соответствующей страны см. по адресу [www.wacom.eu/contact](http://www.wacom.eu/contact)

RU

## Меры предосторожности

Настоятельно рекомендуется соблюдать все инструкции и меры предосторожности, приведенные в настоящем руководстве. В противном случае это может привести к потере данных или повреждению компьютера. Несоблюдение данных инструкций и мер предосторожности может привести к аннулированию гарантии, в случае чего компания Wacom не несет ответственности за ремонт или замену изделия.

### Предупреждение

Не используйте устройство вблизи систем управления объектами/системами, предполагающими высокую точность функционирования оборудования. Планшет может послужить причиной сбоев в работе другого электронного устройства, или такие устройства могут являться причиной сбоев в работе продукта. Если использование устройства данного типа запрещено, отключите его во избежание возможных сбоев в работе другого электронного оборудования, вызванных работой устройства. Компания Wacom не несет ответственности за прямой или косвенный ущерб в случае несоблюдения данного условия.

Высокое напряжение. Не открывайте и не разбирайте устройство. Открытый корпус устройства может привести к поражению электрическим током. Это также приведет к аннулированию гарантии, в случае чего Wacom не несет ответственности за ремонт или замену изделия.

НЕ ПРИКАСАЙТЕСЬ к поврежденному ЖК-дисплею, а также жидкости, появившейся на его поверхности. Эта жидкость является раздражающим веществом. При попадании ее на кожу, в глаза или в рот, немедленно промойте их проточной водой не менее 15 минут. При попадании жидкости в глаза или рот также обратитесь к врачу.

Не допускайте проглатывания наконечника пера детьми. Наконечник пера может выпасть из инструмента, если ребенок попытается его вынуть.

RU

### Внимание

Не используйте и не храните данный продукт

- в помещениях с резкими перепадами температур или температурой, превышающей уровень, указанный в технических характеристиках (например, на улице или в транспорте);
- на прямом солнечном свете, рядом с отопительными приборами, водой или другими жидкостями.

Не используйте устройство в пыльных помещениях, так как это может привести к его повреждению.

Не разбирайте перо. Это может привести к сбою работы устройства. В этом случае компания Wacom не несет ответственности за ремонт или замену изделия.

Не царапайте экран дисплея. Не кладите острые предметы на экран дисплея.

Не подвергайте устройство или перо сильным ударам или вибрации. В результате падения или удара, экран дисплея или другие компоненты могут повредиться.

6

Не кладите на устройство тяжелые предметы и не давите на него с силой. Это может привести к повреждению экрана дисплея.

Не кладите тяжелые предметы на кабели устройства, не сгибайте их сильно в одном месте несколько раз, не нажимайте слишком сильно на кабельные разъемы, так как это может привести к повреждению устройства или кабелей.

Если наконечник пера заострился или износился, он может повредить специальное покрытие экрана дисплея. При необходимости замените наконечник пера.

Не допускайте полного разряда устройства и накопления электростатического заряда на ЖК-дисплее. Это может привести к появлению на нем пятен. В случае появления пятен оставьте дисплей включенным на несколько часов, после чего они должны исчезнуть.

## Примечания по использованию данного устройства

### Замена наконечника пера

По вопросам замены наконечников пера обратитесь к вашему партнеру-поставщику продукции Wacom Signature.

### Примечания по использованию

В случае непрерывной работы ЖК-панели в течение длительного периода рядом с электродом внутри ЖК-дисплея остается след электростатического заряда, что может привести к сохранению на экране предыдущего изображения в виде остаточного или "фантомного" изображения (эффект остаточного изображения).

Чтобы предотвратить появление остаточного изображения, Wacom рекомендует использовать анимированную заставку, если экран включен, но находится в состоянии бездействия.

### Уход за ЖК-дисплеем планшета для электронных подписей

Содержите перо и поверхность ЖК-экрана в чистоте. Пыль и частицы грязи могут приставать к перу и вызывать износ поверхности перьевого дисплея. Регулярная очистка поможет продлить срок эксплуатации поверхности перьевого дисплея и пера. Храните планшет и перо в сухом чистом месте и не подвергайте их воздействию чрезмерных температур. Оптимальной является комнатная температура. Устройство и перо не предназначены для разборки. Разборка устройства аннулирует гарантию.

### Очистка

Для очистки корпуса устройства или пера используйте мягкую влажную ткань. Ее можно также увлажнить при помощи слабого мыльно-водного раствора. Не применяйте для очистки корпуса дисплея или пера разбавитель для краски, бензин, спирт и другие растворители.

Для очистки экрана используйте антистатическую или слегка влажную ткань. Во время очистки экрана не мочите его поверхность и не давите на него с излишним усилием. Не используйте моющие средства для очистки экрана, так как это может привести к его повреждению. Обратите внимание, что гарантия не распространяется на такие повреждения.

## Характеристики устройства

### STU-430

#### Общие технические характеристики

Модель/марка	STU-430
Размеры (Ш x В x Г)	161,43 x 174,37 x 10,85 мм
Вес	Основной корпус: 0,279 кг, приблизительно
Температура эксплуатации и относительная влажность	5–40 °С, 30–80 % (без конденсации)
Температура и относительная влажность хранения	-20–60 °С, 30–90 % (без конденсации)
Кабели интерфейса	USB тип А на USB mini-B
Энергопотребление	1,0 Вт (макс.)

#### Дисплей

Панель дисплея	FSTN Positive Reflective
Размер экрана	4,5 "
Количество точек	320 x 200
Размер пиксела	0,30 (по горизонтали) x 0,30 (по вертикали) мм
Качество ЖК-панелей	Каждая ЖК-панель произведена в соответствии со строгими стандартами качества. Технологии производства не могут гарантировать идеальное качество TFT-дисплея. Компания Wascom не допускает наличия полностью черных или белых пикселей. Допускается, что небольшое количество пикселей показывает неверный цвет в некоторых частях цветового спектра. Это не значит, что дисплей неисправен.

#### Графический планшет

Технология считывания	Технология электромагнитного резонанса
Рабочая область	95,985 x 59,985 мм
Разрешение	2540 линий на дюйм или 0,01 мм/точек
Погрешность	± 0,5 мм (центр), краевая область 1 (20 мм шириной от границы экранной области) приблизительно ± 2,0 мм, краевая область 2 (3 мм шириной от границы экранной области) приблизительно ± 4,0 мм
Высота считывания	5 мм и более (центр)

Максимальная скорость отслеживания	200 точек/с
Число уровней нажима	1024
Интерфейс связи	USB

#### Другое

Петля для крепления кабеля безопасности	1
---	---

### STU-530

#### Общие технические характеристики

Модель/марка	STU-530
Размеры (Ш x В x Г)	161,43 x 174,37 x 10,85 мм
Вес	Основной корпус: 0,289 кг, приблизительно
Температура эксплуатации и относительная влажность	5–40 °С, 30–80 % (без конденсации)
Температура и относительная влажность хранения	-20–60 °С, 30–90 % (без конденсации)
Кабели интерфейса	USB тип А на USB mini-B
Энергопотребление	2,5 Вт (макс.)

#### Дисплей

Панель дисплея	Amorphous-TFT-LCD
Размер экрана	5,0 " (108,0 x 64,8 мм)
Количество точек	800 x 480, WVGA
Размер пиксела	0,135 (по горизонтали) x 0,135 (по вертикали) мм
Качество ЖК-панелей	Каждая ЖК-панель произведена в соответствии со строгими стандартами качества. Технологии производства не могут гарантировать идеальное качество TFT-дисплея. Компания Wascom не допускает наличия полностью черных или белых пикселей. Допускается, что небольшое количество пикселей показывает неверный цвет в некоторых частях цветового спектра. Это не значит, что дисплей неисправен.

#### Графический планшет

Технология считывания	Технология электромагнитного резонанса
Рабочая область	108,0 x 64,8 мм
Разрешение	2540 линий на дюйм или 0,01 мм/точек

RU

Погрешность	± 0,5 мм (центр), краевая область 1 (20 мм шириной от границы экранной области) приблизительно ± 2,0 мм, краевая область 2 (3 мм шириной от границы экранной области) приблизительно ± 4,0 мм
Высота считывания	5 мм и более (центр)
Максимальная скорость отслеживания	200 точек/с
Число уровней нажима	1024
Интерфейс связи	USB

## Другое

Петля для крепления кабеля безопасности  
1

## Перо UP-610-89A-1

Габаритные размеры (длина x диаметр)	140,5 * 9,0 мм (5,53 * 0,35 ")
Вес	7 г, приблизительно
Ход наконечника пера	0,2 мм, приблизительно

RU

## Гарантии

### Ограниченная гарантия (США и Канада)

Компания Wacom гарантирует первому потребителю настоящего продукта (гарантия не распространяется на Программное обеспечение и расходные материалы, такие как батарея, картриджи пера, пленка на поверхности планшета и наконечники пера), что при условии правильной эксплуатации и обслуживания продукт не будет обнаруживать каких-либо дефектов материалов или качества изготовления в течение трех (3) лет со дня первой покупки в розничной торговой сети, которая подтверждается копией квитанции об оплате и регистрацией продукта в компании Wacom в течение 30 дней со дня приобретения.

Программное обеспечение лицензируется на условиях "как есть". Wacom не берет на себя каких-либо гарантийных обязательств в отношении качества и эксплуатационной эффективности ПО. Компания Wacom не может гарантировать непрерывной работы или исправления каких-либо ошибок.

Если в течение гарантийного периода вы обнаружите дефекты продукта (кроме программного обеспечения), вы должны обратиться в Службу технической поддержки Wacom по телефону, электронной почте или факсу, чтобы получить номер RMA (Разрешения на возврат товара) и инструкции по доставке изделия в пункт технического обслуживания, указанный компанией Wacom. Вам необходимо отправить изделие (с оплатой расходов по пересылке) в указанный пункт технического обслуживания, указав номер разрешения на возврат товара, ваши фамилию и имя, адрес и номер телефона и приложив документ, подтверждающий дату приобретения продукта и описание дефекта. Wacom оплатит обратную пересылку изделия почтовой службой United Parcel Service или любой другой аналогичной службой на усмотрение Wacom.

Исключительное и однозначное обязательство Wacom в соответствии с настоящей гарантией будет заключаться, по выбору Wacom, либо в обеспечении ремонта, либо в замене дефектного изделия или его элементов, о чем компания Wacom будет уведомлена в течение гарантийного периода, при условии, что Вы (i) берете на себя расходы по транспортировке продукта в определенный пункт технического обслуживания и (ii) несете ответственность за любой ущерб или повреждения продукта, нанесенные в результате такой транспортировки.

Wacom не несет ответственности за ремонт или замену изделия, если заявленный дефект явился результатом происшествия, нарушения норм эксплуатации, ненадлежащего использования или несанкционированной модификации или ремонта продукта, или если обращение и хранение продукта осуществлялось с несоблюдением инструкций Wacom в отношении хранения оборудования.

Любые описания, рисунки, характеристики, примеры, модели, бюллетени или аналогичные материалы, использованные в связи с продажей изделия, не могут быть истолкованы как выражение гарантии того, что изделие будет удовлетворять или соответствовать требованиям пользователя.

КРОМЕ ОБЯЗАТЕЛЬСТВ, ОПИСАННЫХ ВЫШЕ, WACOM НЕ БЕРЕТ НА СЕБЯ КАКИХ-ЛИБО ИНЫХ ГАРАНТИЙНЫХ ОБЯЗАТЕЛЬСТВ В ОТНОШЕНИИ ДАННОГО ПРОДУКТА. КАКАЯ-ЛИБО УСТНАЯ ИЛИ ПИСЬМЕННАЯ ИНФОРМАЦИЯ ИЛИ РЕКОМЕНДАЦИЯ, ПРЕДОСТАВЛЕННАЯ КОМПАНИЕЙ WACOM, ЕЕ ДИЛЕРАМИ, ДИСТРИБЬЮТОРАМИ, АГЕНТАМИ ИЛИ РАБОТНИКАМИ НЕ СОЗДАЕТ ГАРАНТИЙНЫЕ И НИКОИМ ОБРАЗОМ НЕ РАСШИРЯЕТ КОНТЕКСТ НАСТОЯЩИХ ГАРАНТИЙНЫХ ОБЯЗАТЕЛЬСТВ, В СВЯЗИ С ЧЕМ ВЫ НЕ МОЖЕТЕ ССЫЛАТЬСЯ НА ПОДОБНУЮ ИНФОРМАЦИЮ ИЛИ РЕКОМЕНДАЦИИ.

ДАННАЯ ГАРАНТИЯ ПРЕДОСТАВЛЯЕТ ВАМ ОСОБЫЕ ЮРИДИЧЕСКИЕ ПРАВА; ПРИ ЭТОМ ОНА МОЖЕТ ПОДРАЗУМЕВАТЬ ДЛЯ ВАС РЯД ДРУГИХ ПРАВ, КОТОРЫЕ МОГУТ БЫТЬ ИНДИВИДУАЛЬНЫМИ ДЛЯ КАЖДОГО ШТАТА.

WACOM ОГРАНИЧИВАЕТ ПРОДОЛЖИТЕЛЬНОСТЬ ЛЮБЫХ ЗАКОНОДАТЕЛЬНО ОБУСЛОВЛЕННЫХ ГАРАНТИЙНЫХ ОБЯЗАТЕЛЬСТВ, ВКЛЮЧАЯ ПОДРАЗУМЕВАЕМЫЕ ГАРАНТИИ ПРИГОДНОСТИ ДЛЯ ПРОДАЖИ ИЛИ ДЛЯ ИСПОЛЬЗОВАНИЯ В ОПРЕДЕЛЕННЫХ ЦЕЛЯХ, ПЕРИОДОМ ДЕЙСТВИЯ ДОГОВОРНОЙ ГАРАНТИИ WACOM. ЗАКОНОДАТЕЛЬСТВО НЕКОТОРЫХ ШТАТОВ ЗАПРЕЩАЕТ ОГРАНИЧЕНИЕ СРОКА ДЕЙСТВИЯ ПОДРАЗУМЕВАЕМЫХ ГАРАНТИЙНЫХ ОБЯЗАТЕЛЬСТВ, ПОЭТОМУ УКАЗАННОЕ ВЫШЕ УСЛОВИЕ МОЖЕТ НЕ ИМЕТЬ ДЛЯ ВАС СИЛЫ.

НИ КОМПАНИЯ WACOM, НИ ИНЫЕ ЛИЦА, ПРИНИМАВШИЕ УЧАСТИЕ В СОЗДАНИИ, ПРОИЗВОДСТВЕ ИЛИ ПОСТАВКЕ ДАННОГО ПРОДУКТА, НЕ НЕСУТ ОТВЕТСТВЕННОСТЬ ЗА ЛЮБОЙ ПРЯМОЙ, КОСВЕННЫЙ ИЛИ СЛУЧАЙНЫЙ УЩЕРБ (ВКЛЮЧАЯ УЩЕРБ, ЗАКЛЮЧАЮЩИЙСЯ В ПОТЕРЕ КОММЕРЧЕСКОЙ ПРИБЫЛИ, ПЕРЕРЫВАХ В КОММЕРЧЕСКОМ ПРОИЗВОДСТВЕ, ПОТЕРЕ КОММЕРЧЕСКОЙ ИНФОРМАЦИИ И Т. Д.), КОТОРЫЙ МОЖЕТ БЫТЬ СВЯЗАН С ИСПОЛЬЗОВАНИЕМ ИЛИ НЕСПОСОБНОСТЬЮ ИСПОЛЬЗОВАНИЯ ДАННОГО ПРОДУКТА, ДАЖЕ ЕСЛИ КОМПАНИЯ WACOM БЫЛА ПРЕДВАРИТЕЛЬНО ИЗВЕЩЕНА О ВЕРОЯТНОСТИ НАНЕСЕНИЯ ПОДОБНОГО УЩЕРБА. ЗАКОНОДАТЕЛЬСТВО НЕКОТОРЫХ ШТАТОВ ЗАПРЕЩАЕТ ОТКАЗ ИЛИ ОГРАНИЧЕНИЕ ОТВЕТСТВЕННОСТИ ЗА СЛУЧАЙНЫЙ ИЛИ КОСВЕННЫЙ УЩЕРБ, ПОЭТОМУ УКАЗАННОЕ ВЫШЕ УСЛОВИЕ МОЖЕТ НЕ ИМЕТЬ ДЛЯ ВАС СИЛЫ.

В случае возникновения обстоятельств, при которых любые указанные выше ограничения не будут иметь законной силы, ответственность Wacom за любой ущерб, нанесенный Вам или любой стороне, не будет превышать сумму, уплаченную при приобретении изделия, независимо от характера претензии.

Настоящая Ограниченная гарантия регулируется законодательством Соединенных Штатов Америки и штата Вашингтон.

Настоящая Ограниченная гарантия имеет силу и применима только к изделиям, приобретенным в Соединенных Штатах (их территориях и владениях) или Канаде.

## Гарантийное обслуживание

Чтобы осуществить гарантийное обслуживание изделия в США или Канаде, обратитесь в:

Центр поддержки клиентов Wacom

Телефон: 1-360-896-9833

Форма запроса по электронной почте: <http://www.wacom.com/productsupport/email.cfm>

При возникновении вопросов в связи с данным Соглашением или при необходимости связаться с компанией Wacom по любому поводу, просьба обращаться письменно по адресу:

Wacom Technology Corporation

1311 SE Cardinal Court  
Vancouver, Washington 98683  
U.S.A. (США)

## Ограниченная гарантия (страны Центральной Америки, Южной Америки и Карибского бассейна)

Компания Wacom гарантирует первому потребителю настоящего продукта (гарантия не распространяется на Программное обеспечение и расходные материалы, такие как батарея, картриджи пера, пленка на поверхности планшета и наконечники пера), что при условии правильной эксплуатации и обслуживания продукт не будет обнаруживать каких-либо дефектов материалов или качества изготовления в течение двух (2) лет со дня первой покупки в розничной торговой сети, которая подтверждается копией квитанции об оплате и регистрацией продукта в компании Wacom в течение 30 дней со дня приобретения.

Программное обеспечение лицензируется на условиях "как есть". Wacom не берет на себя каких-либо гарантийных обязательств в отношении качества и эксплуатационной эффективности ПО. Компания Wacom не может гарантировать непрерывной работы или исправления каких-либо ошибок.

Если в течение гарантийного периода вы обнаружите дефекты продукта (кроме программного обеспечения), вы должны обратиться в Службу технической поддержки Wacom по телефону, электронной почте или факсу, чтобы получить номер RMA (Разрешения на возврат товара) и инструкции по доставке изделия в пункт технического обслуживания, указанный компанией Wacom. Вам необходимо отправить изделие (с оплатой расходов по пересылке) в указанный пункт технического обслуживания, указав номер разрешения на возврат товара, ваши фамилию и имя, адрес и номер телефона и приложив документ, подтверждающий дату приобретения продукта и описание дефекта. Wacom оплатит обратную пересылку изделия почтовой службой United Parcel Service или любой другой аналогичной службой на усмотрение Wacom.

Исключительное и однозначное обязательство Wacom в соответствии с настоящей гарантией будет заключаться, по выбору Wacom, либо в обеспечении ремонта, либо в замене дефектного изделия или его элементов, о чем компания Wacom будет уведомлена в течение гарантийного периода, при условии, что Вы (i) берете на себя расходы по транспортировке продукта в определенный пункт технического обслуживания и (ii) несете ответственность за любой ущерб или повреждение продукта, нанесенные в результате такой транспортировки.

Wacom не несет ответственности за ремонт или замену изделия, если заявленный дефект явился результатом происшествия, нарушения норм эксплуатации, ненадлежащего использования или несанкционированной модификации или ремонта

RU

продукта, или если обращение и хранение продукта осуществлялось с несоблюдением инструкций Wacom в отношении хранения оборудования.

Любые описания, рисунки, характеристики, примеры, модели, бюллетени или аналогичные материалы, использованные в связи с продажей изделия, не могут быть истолкованы как выражение гарантии того, что изделие будет удовлетворять или соответствовать требованиям пользователя.

КРОМЕ ОБЯЗАТЕЛЬСТВ, ОПИСАННЫХ ВЫШЕ, WACOM НЕ БЕРЕТ НА СЕБЯ КАКИХ-ЛИБО ИНЫХ ГАРАНТИЙНЫХ ОБЯЗАТЕЛЬСТВ В ОТНОШЕНИИ ДАННОГО ПРОДУКТА. КАКАЯ-ЛИБО УСТНАЯ ИЛИ ПИСЬМЕННАЯ ИНФОРМАЦИЯ ИЛИ РЕКОМЕНДАЦИЯ, ПРЕДОСТАВЛЕННАЯ КОМПАНИЕЙ WACOM, ЕЕ ДИЛЕРАМИ, ДИСТРИБЬЮТОРАМИ, АГЕНТАМИ ИЛИ РАБОТНИКАМИ НЕ СОЗДАЕТ ГАРАНТИЙНЫЕ И НИКОИМ ОБРАЗОМ НЕ РАСШИРЯЕТ КОНТЕКСТ НАСТОЯЩИХ ГАРАНТИЙНЫХ ОБЯЗАТЕЛЬСТВ, В СВЯЗИ С ЧЕМ ВЫ НЕ МОЖЕТЕ ССЫЛАТЬСЯ НА ПОДОБНУЮ ИНФОРМАЦИЮ ИЛИ РЕКОМЕНДАЦИИ.

ДАННАЯ ГАРАНТИЯ ПРЕДОСТАВЛЯЕТ ВАМ ОСОБЫЕ ЮРИДИЧЕСКИЕ ПРАВА; ПРИ ЭТОМ ОНА МОЖЕТ ПОДРАЗУМЕВАТЬ ДЛЯ ВАС РЯД ДРУГИХ ПРАВ, КОТОРЫЕ МОГУТ БЫТЬ РАЗЛИЧАТЬСЯ В РАЗНЫХ СТРАНАХ.

WACOM ОГРАНИЧИВАЕТ ПРОДОЛЖИТЕЛЬНОСТЬ ЛЮБЫХ ЗАКОНОДАТЕЛЬНО ОБУСЛОВЛЕННЫХ ГАРАНТИЙНЫХ ОБЯЗАТЕЛЬСТВ, ВКЛЮЧАЯ ПОДРАЗУМЕВАЕМЫЕ ГАРАНТИИ ПРИГОДНОСТИ ДЛЯ ПРОДАЖИ ИЛИ ДЛЯ ИСПОЛЬЗОВАНИЯ В ОПРЕДЕЛЕННЫХ ЦЕЛЯХ, ПЕРИОДОМ ДЕЙСТВИЯ ДОГОВОРНОЙ ГАРАНТИИ WACOM. ЗАКОНОДАТЕЛЬСТВО НЕКОТОРЫХ СТРАН ЗАПРЕЩАЕТ ОГРАНИЧЕНИЕ СРОКА ДЕЙСТВИЯ ПОДРАЗУМЕВАЕМЫХ ГАРАНТИЙНЫХ ОБЯЗАТЕЛЬСТВ, ПОЭТОМУ УКАЗАННОЕ ВЫШЕ УСЛОВИЕ МОЖЕТ НЕ ИМЕТЬ ДЛЯ ВАС СИЛЫ.

НИ КОМПАНИЯ WACOM, НИ ИНЫЕ ЛИЦА, ПРИНИМАВШИЕ УЧАСТИЕ В СОЗДАНИИ, ПРОИЗВОДСТВЕ ИЛИ ПОСТАВКЕ ДАННОГО ПРОДУКТА, НЕ НЕСУТ ОТВЕТСТВЕННОСТЬ ЗА ЛЮБОЙ ПРЯМОЙ, КОСВЕННЫЙ ИЛИ СЛУЧАЙНЫЙ УЩЕРБ (ВКЛЮЧАЯ УЩЕРБ, ЗАКЛЮЧАЮЩИЙСЯ В ПОТЕРЕ КОММЕРЧЕСКОЙ ПРИБЫЛИ, ПЕРЕРЫВАХ В КОММЕРЧЕСКОМ ПРОИЗВОДСТВЕ, ПОТЕРЕ КОММЕРЧЕСКОЙ ИНФОРМАЦИИ И Т. Д.), КОТОРЫЙ МОЖЕТ БЫТЬ СВЯЗАН С ИСПОЛЬЗОВАНИЕМ ИЛИ НЕСПОСОБНОСТЬЮ ИСПОЛЬЗОВАНИЯ ДАННОГО ПРОДУКТА, ДАЖЕ ЕСЛИ КОМПАНИЯ WACOM БЫЛА ПРЕДВАРИТЕЛЬНО ИЗВЕЩЕНА О ВЕРОЯТНОСТИ НАНЕСЕНИЯ ПОДОБНОГО УЩЕРБА. ЗАКОНОДАТЕЛЬСТВО НЕКОТОРЫХ СТРАН ЗАПРЕЩАЕТ ОТКАЗ ИЛИ ОГРАНИЧЕНИЕ ОТВЕТСТВЕННОСТИ ЗА СЛУЧАЙНЫЙ ИЛИ КОСВЕННЫЙ УЩЕРБ, ПОЭТОМУ УКАЗАННОЕ ВЫШЕ УСЛОВИЕ МОЖЕТ НЕ ИМЕТЬ ДЛЯ ВАС СИЛЫ.

В случае возникновения обстоятельств, при которых любые указанные выше ограничения не будут иметь законной силы, ответственность Wacom за любой ущерб, нанесенный Вам или любой стороне, не будет превышать сумму, уплаченную при приобретении изделия, независимо от характера претензии.

Настоящая Ограниченная гарантия регулируется законодательством Соединенных Штатов Америки и штата Вашингтон.

Настоящая Ограниченная гарантия имеет силу и применима только к изделиям, приобретенным в странах Центральной Америки, Южной Америки и Карибского бассейна.

10

## Гарантийное обслуживание

За информацией о гарантийном обслуживании в странах Центральной Америки, Южной Америки и Карибского бассейна обратитесь к местному дилеру или дистрибьютору.

Центр поддержки клиентов Wacom

На испанском языке: <http://www.wacom.com/sp/productsupport/email.cfm>

На португальском языке: <http://www.wacom.com/pr/productsupport/email.cfm>

При возникновении вопросов в связи с данным Соглашением или при необходимости связаться с компанией Wacom по любому поводу, просьба обращаться письменно по адресу:

Wacom Technology Corporation  
1311 SE Cardinal Court  
Vancouver, Washington 98683  
U.S.A. (США)

## Ограниченная гарантия (Европа, Африка и Ближний Восток)

Компания WACOM гарантирует вам, как первоначальному покупателю (в дальнейшем именуемый «Вы» или «клиент»), что при условии правильной эксплуатации и обслуживания оборудование устройства не будет обладать дефектами материалов и производства в течение ТРЕХЛЕТНЕГО (3) срока,

начиная со дня приобретения, при условии, что на момент приобретения продукт не использовался. Дефекты изнашиваемых частей (например, наконечников пера, поверхности планшета и батарей) в результате естественного износа не подлежат действию гарантии. Более того, WACOM гарантирует, что носители данных, поставляемые вместе с продуктом, не обнаруживают дефектов материалов и качества изготовления при нормальном использовании в течение ШЕСТИ (6) МЕСЯЦЕВ со дня приобретения.

При обнаружении дефекта в период действия гарантии продукт — за исключением любого ПО — следует незамедлительно вернуть по месту покупки в оригинальной упаковке и при этом предоставить сведения о своем имени, адресе и номере телефона, описание проблемы и копию оригинала чека. Потребитель несет ответственность за любой возможный ущерб или утерю продукта во время передачи продукта в место покупки с этой целью.

Исключительной обязанностью и полной ответственностью WACOM по условиям настоящей гарантии является, по выбору компании WACOM, ремонт или замена оборудования или его частей, которые оказались дефектными и были возвращены в течение действующего гарантийного срока.

Компания WACOM не гарантирует ремонт или замену продукта в следующих случаях: (а) продукт был поврежден вследствие несчастного случая, нарушения условий эксплуатации, недопустимого использования, неосторожности или несанкционированной попытки изменения или ремонта; (б) при эксплуатации или хранении продукта были нарушены рекомендации компании WACOM; (в) повреждения

были вызваны естественным процессом износа компонентов продукта; или (г) наклейка с серийным номером, прикрепленная в компании WACOM, была удалена или содержала неразборчивые сведения.

Любые описания, рисунки, характеристики, примеры, модели, уведомления или аналогичные материалы, предоставленные при покупке изделия, не могут быть истолкованы как гарантия того, что изделие будет удовлетворять или соответствовать Вашим требованиям.

Гарантия, предоставляемая законом, остается без изменений. Вы можете обжаловать дефекты продукта на основании соответствующих законных положений.

WACOM несет ответственность только за свои действия и за действия своих уполномоченных представителей, в случае если материальное обязательство по контракту было виновно нарушено способом, который подверг риску цель данного контракта, или если убыток был нанесен в результате действий на международной арене или упущений или чрезвычайной небрежности. Материальное обязательство по контракту является обязательством, неотъемлемым для надлежащего исполнения контракта, на которое (исполнение) стандартно полагается вторая сторона. В случае виновного нарушения материальное обязательство по контракту в результате преднамеренных действий или по причине чрезвычайной небрежности сторона несет ответственность только за ущерб, который является типичным для контракта или был в разумной степени предвидим на момент заключения контракта. Если в какой-то области данные Правила исключают или ограничивают ответственность, то данное условие также будет справедливо и в случае личной ответственности должностных лиц заинтересованной стороны, ее работников, представителей и субконтрагентов. Положения закона об ответственности за продукцию (Produkthaftungsgesetz) остаются без изменений.

Если при проверке иска, поданного в соответствии с данными гарантийными обязательствами, обнаруживается, что он находится за пределами разрешенного периода времени или не покрывается данными гарантийными обязательствами или продукт не содержит дефектов, то покупатель возместит WACOM связанные с этим иском расходы.

Настоящая ограниченная гарантия применяется, если зарегистрированный офис поставщика находится в странах ЕС или в Исландии, Норвегии, Джерси, Швейцарии, России, Украине, Хорватии, Сербии, Тунисе, Турции, Сирии, Ливане, Иордании, Израиле, Египте, ОАЭ, Иране или ЮАР. Данная гарантия подчиняется законодательству Германии. Однако применимость конвенции ООН о договорах международной купли-продажи товаров не явным образом исключается. Город Крэфельд, Германия, является единственной зоной юрисдикции для подачи всех исков, возникающих на основе данных контрактных отношений, и разрешения всех споров между сторонами, возникающих на основе создания, действия или прекращения действия данных контрактных отношений, при условии, что покупатель представляет собой торговца, законную организацию или фонд, подчиняющийся действию публичного права. Соглашение о юрисдикции относится также к клиентам, чья основная юрисдикция находится за пределами Германии. Соглашение о юрисдикции утрачивает силу, если в соответствии с правовыми нормами для конкретного случая требуется установить другое единое место юрисдикции.

Кроме того, компания WACOM вправе начать судебное разбирательство против головного офиса клиента.

В случае, если одно из положений настоящей ограниченной гарантии утрачивает силу, это не отражается на действительности других положений, полностью или частично. В случае недействительности какого-либо положения, вместо него должны быть применены наиболее близкие по смыслу юридически правомочные предписания. При возникновении вопросов по поводу данного Соглашения или при необходимости связаться с WACOM по другому поводу, пишите нам по адресу:

WACOM Europe GmbH  
Europark Fichtenhain A9  
47807 Krefeld  
GERMANY (Германия)

## Ограниченная гарантия (Азиатско-Тихоокеанский регион)

Компания Wacom Co., Ltd. гарантирует первому потребителю настоящего продукта, что при условии правильной эксплуатации и обслуживания продукт не будет обнаруживать каких-либо дефектов материалов или качества изготовления в течение одного (1) года со дня первой покупки в розничной торговой сети, которая подтверждается копией квитанции об оплате (доказательство покупки).

Программное обеспечение лицензируется на условиях "как есть". Wacom не берет на себя каких-либо гарантийных обязательств в отношении качества, эксплуатационной эффективности или других характеристик ПО. Компания Wacom не может гарантировать непрерывной работы или исправления каких-либо ошибок. Компания Wacom не возлагает на себя гарантийные обязательства в отношении расходных материалов таких, как батарея, картриджи пера, пленки на поверхности планшета и наконечники.

Если в течение гарантийного периода вы обнаружите дефекты продукта (кроме программного обеспечения), вы должны обратиться непосредственно в магазин, где приобреталось устройство, для получения инструкций о процедуре его замены или ремонта. Компания Wacom и ее партнеры не обязуются возмещать расходы, потраченные на несанкционированную оплату расходов по пересылке.

Все, кто имеет право на гарантийное обслуживание, вправе не оплачивать расходы по пересылке между непосредственным местом приобретения устройства и местом его замены или ремонта.

Исключительное и однозначное обязательство компании Wacom в соответствии с настоящей гарантией будет заключаться, по выбору Wacom, либо в обеспечении ремонта, либо в замене дефектного устройства или его элементов, о чем компания Wacom будет уведомлена в течение гарантийного срока.

Компания Wacom не несет ответственности за ремонт или замену устройства, если заявленный дефект явился результатом обстоятельств непреодолимой силы, включая, но не ограничиваясь пожаром, стихийными бедствиями, несчастным случаем или действиями непреодолимой силы; намеренным или случайным ненадлежащим использованием, халатностью, несанкционированной модификацией или ремонтом,

RU

использованием продукта в целях, не предусмотренных настоящим руководством пользователя, или же если обращение и хранение продукта осуществлялось с несоблюдением инструкций Wacom в отношении хранения оборудования.

Любые описания, рисунки, характеристики, примеры, модели, бюллетени или аналогичные материалы, использованные в связи с продажей изделия, не могут быть истолкованы как выражение гарантии того, что изделие будет удовлетворять или соответствовать требованиям пользователя.

КРОМЕ ОБЯЗАТЕЛЬСТВ, ОПИСАННЫХ ВЫШЕ, WACOM НЕ БЕРЕТ НА СЕБЯ КАКИХ-ЛИБО ИНЫХ ГАРАНТИЙНЫХ ОБЯЗАТЕЛЬСТВ В ОТНОШЕНИИ ДАННОГО ПРОДУКТА. КАКАЯ-ЛИБО УСТНАЯ ИЛИ ПИСЬМЕННАЯ ИНФОРМАЦИЯ ИЛИ РЕКОМЕНДАЦИЯ, ПРЕДОСТАВЛЕННАЯ КОМПАНИЕЙ WACOM, ЕЕ ДИЛЕРАМИ, ДИСТРИБЬЮТОРАМИ, АГЕНТАМИ ИЛИ РАБОТНИКАМИ НЕ СОЗДАЕТ ГАРАНТИЙНЫЕ И НИКОИМ ОБРАЗОМ НЕ РАСШИРЯЕТ КОНТЕКСТ НАСТОЯЩИХ ГАРАНТИЙНЫХ ОБЯЗАТЕЛЬСТВ, В СВЯЗИ С ЧЕМ ВЫ НЕ МОЖЕТЕ ССЫЛАТЬСЯ НА ПОДОБНУЮ ИНФОРМАЦИЮ ИЛИ РЕКОМЕНДАЦИИ. ДАННАЯ ГАРАНТИЯ ПРЕДОСТАВЛЯЕТ ВАМ ОСОБЫЕ ЮРИДИЧЕСКИЕ ПРАВА; ПРИ ЭТОМ ОНА МОЖЕТ ПОДРАЗУМЕВАТЬ ДЛЯ ВАС РЯД ДРУГИХ ПРАВ, КОТОРЫЕ МОГУТ БЫТЬ РАЗЛИЧАТЬСЯ В РАЗНЫХ СТРАНАХ.

WACOM ОГРАНИЧИВАЕТ ПРОДОЛЖИТЕЛЬНОСТЬ ЛЮБЫХ ЗАКОНОДАТЕЛЬНО ОБУСЛОВЛЕННЫХ ГАРАНТИЙНЫХ ОБЯЗАТЕЛЬСТВ, ВКЛЮЧАЯ ПОДРАЗУМЕВАЕМЫЕ ГАРАНТИИ ПРИГОДНОСТИ ДЛЯ ПРОДАЖИ ИЛИ ДЛЯ ИСПОЛЬЗОВАНИЯ В ОПРЕДЕЛЕННЫХ ЦЕЛЯХ, ПЕРИОДОМ ДЕЙСТВИЯ ДОГОВОРНОЙ ГАРАНТИИ WACOM.

ЗАКОНОДАТЕЛЬСТВО НЕКОТОРЫХ СТРАН ЗАПРЕЩАЕТ ОГРАНИЧЕНИЕ СРОКА ДЕЙСТВИЯ ПОДРАЗУМЕВАЕМЫХ ГАРАНТИЙНЫХ ОБЯЗАТЕЛЬСТВ, ПОЭТОМУ УКАЗАННОЕ ВЫШЕ УСЛОВИЕ МОЖЕТ НЕ ИМЕТЬ ДЛЯ ВАС СИЛЫ.

НИ КОМПАНИЯ WACOM, НИ ИНЫЕ ЛИЦА, ПРИНИМАВШИЕ УЧАСТИЕ В СОЗДАНИИ, ПРОИЗВОДСТВЕ ИЛИ ПОСТАВКЕ ДАННОГО ПРОДУКТА, НЕ НЕСУТ ОТВЕТСТВЕННОСТЬ ЗА ЛЮБОЙ ПРЯМОЙ, КОСВЕННЫЙ ИЛИ СЛУЧАЙНЫЙ УЩЕРБ (ВКЛЮЧАЯ УЩЕРБ, ЗАКЛЮЧАЮЩИЙСЯ В ПОТЕРЕ КОММЕРЧЕСКОЙ ПРИБЫЛИ, ПЕРЕРЫВАХ В КОММЕРЧЕСКОМ ПРОИЗВОДСТВЕ, ПОТЕРЕ КОММЕРЧЕСКОЙ ИНФОРМАЦИИ И Т. Д.), КОТОРЫЙ МОЖЕТ БЫТЬ СВЯЗАН С ИСПОЛЬЗОВАНИЕМ ИЛИ НЕСПОСОБНОСТЬЮ ИСПОЛЬЗОВАНИЯ ДАННОГО ПРОДУКТА, ДАЖЕ ЕСЛИ КОМПАНИЯ WACOM БЫЛА ПРЕДВАРИТЕЛЬНО ИЗВЕЩЕНА О ВЕРОЯТНОСТИ НАНЕСЕНИЯ ПОДОБНОГО УЩЕРБА. ЗАКОНОДАТЕЛЬСТВО НЕКОТОРЫХ СТРАН ЗАПРЕЩАЕТ ОТКАЗ ИЛИ ОГРАНИЧЕНИЕ ОТВЕТСТВЕННОСТИ ЗА СЛУЧАЙНЫЙ ИЛИ КОСВЕННЫЙ УЩЕРБ, ПОЭТОМУ УКАЗАННОЕ ВЫШЕ УСЛОВИЕ МОЖЕТ НЕ ИМЕТЬ ДЛЯ ВАС СИЛЫ.

В случае возникновения обстоятельств, при которых любые указанные выше ограничения не будут иметь законной силы, ответственность Wacom за любой ущерб, нанесенный вам или любой стороне, не будет превышать сумму, заплаченную при покупке изделия, независимо от характера претензии.

Настоящая ограниченная гарантия имеет силу и применима только к устройствам, приобретенным на территории Азиатско-Тихоокеанского региона, за исключением Японии, Китайской Народной Республики, Гонконга и стран Ближнего Востока.

Настоящая ограниченная гарантия является правовым актом текущей гарантии, подписанным представителями Азиатско-Тихоокеанского отдела компании Wacom Co., Ltd. и обладает приоритетом в отношении других гарантийных обязательств, указанных на упаковке, в брошюрах, руководствах и т. д.

Данная гарантия регулируется законодательством Японии и подлежит изменению без предварительного уведомления.

Закон о защите прав потребителей в Австралии Наши товары поступают с гарантиями, которые невозможно исключить на основании закона о защите прав потребителей в Австралии. Вы имеете право на замену или возмещению ущерба в случае серьезной неисправности, а также на компенсацию в разумной степени предвидимый ущерб или повреждение. Вы имеете право на ремонт товаров или их замену при условии, что качество товаров является неприемлемым, а повреждение не сводится к серьезной неисправности. На наше оборудование распространяется гарантия сроком один (1) год, предоставляемая компанией Wacom Co., Ltd., дочернее отделение которой располагается по адресу: Wacom Australia Pty. Ltd. Ground floor, Building 1,3 Richardson Place, North Ryde, NSW, 2113 Australia (Австралия) Если устройства спустя год (1) после приобретения не демонстрируют основные характеристики и функции, описанные в данном руководстве, обратитесь в компанию Wacom Australia Pty. Ltd. по телефону +61-29422-6700 и предоставьте подробные сведения об устройстве, его серийном номере и квитанцией об оплате, подтверждающей покупку. Вам может понадобиться вернуть аппаратное оборудование по указанному нами адресу. В таком случае пересылка осуществляется за ваш счет. Преимущества, получаемые в соответствии с настоящей гарантией, являются дополнением к другим средствам защиты ваших прав, которыми вы можете обладать в силу закона.

Гарантийное обслуживание/служба технической поддержки компании Wacom в Азиатско-Тихоокеанском регионе (за исключением Японии, Китайской Народной Республики, Гонконга и стран Ближнего Востока) Подробную информацию об ограниченной гарантии для Азиатско-Тихоокеанского региона и о регистрации продукта можно получить в Интернете по адресу: <http://www.wacom.asia/customer-care>

Для получения технической поддержки или гарантийного обслуживания в Юго-Восточной и Южной Азии, Океании и Тайване, обратитесь в Службу поддержки клиентов Wacom. Номера телефонов можно найти на веб-сайте:

<http://wacom-wapcc.com/inquiry/create>

При возникновении вопросов в связи с данным Соглашением или при необходимости связаться с компанией Wacom по любому поводу, отправьте запрос, заполнив анкету на веб-сайте

<http://wacom-wapcc.com/inquiry/create>



## СВЕДЕНИЯ ОБ УТИЛИЗАЦИИ И ПЕРЕРАБОТКЕ

### RoHS EC

Продукты компании Wacom соответствует требованиям Директивы Европейского Союза 2002/95/ЕС «Ограничение на использование определенных опасных веществ в электрическом и электронном оборудовании» (директива RoHS).

### ТРЕБОВАНИЯ К УТИЛИЗАЦИИ В СТРАНАХ ЕС (ДИРЕКТИВА ЕС ОБ ОТХОДАХ ЭЛЕКТРИЧЕСКОГО И ЭЛЕКТРОННОГО ОБОРУДОВАНИЯ)



Повторное использование, переработка и восстановление. Вы обязаны сдать это изделие на переработку при замене его на новое или после истечения срока его службы в соответствующий пункт сбора материалов, подлежащих переработке, в вашей стране или регионе.

Это может помочь улучшить состояние окружающей среды там, где вы живете, а также свести к минимуму потенциальное отрицательное воздействие, если опасные вещества, которые могут входить в состав утилизируемых материалов, попадут в окружающую среду в процессе утилизации изделия.

На территории Европейского Союза пользователям запрещается выбрасывать электронное и электрическое оборудование (WEEE) вместе с бытовыми отходами в соответствии с директивой 2002/96/ЕС Европейского парламента и Совета от 27 января 2003 г. и в соответствии с местным законодательством государств-членов ЕС. Изделия, к которым применим данный закон, помечаются знаком WEEE, приведенным перед текстом данного примечания, кроме тех случаев, когда это невозможно из-за размеров или работы изделия.

На изделия компании Wacom распространяется действие Директивы 2002/96/ЕС, поэтому такие подлежащие утилизации изделия необходимо отдельно собирать и сдавать в соответствующие пункты сбора в стране или регионе.

### ДЕКЛАРАЦИЯ О СООТВЕТСТВИИ

## ЗАЯВЛЕНИЕ О СООТВЕТСТВИИ CE

Продукция компании Wacom, (Intuos CTL-480, СТН-480 и СТН-680) соответствует следующей(им) директиве(ам):

EMC Directive 2004/108/EC

Европейские гармонизированные нормы и испытания, использованные при оценке продукта(ов) для данной декларации, доступны на веб-сайте Wacom (<http://www.wacom.eu/certificates>).

На основании результатов этих испытаний Wacom указывает соответствие нормам, размещая соответствующую маркировку (CE) на вышеупомянутом продукте(ax).

Продукт(ы) должен устанавливаться и эксплуатироваться исключительно в соответствии с инструкциями, содержащимися в данном Документе с важной информацией о продукте (данный документ) и руководстве пользователя.

Любые изменения и модификации данного устройства, не разрешенные специально компанией Wacom, лишают данную декларацию силы.

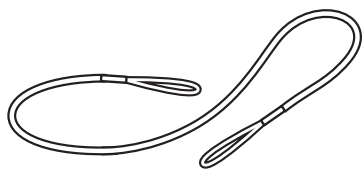
RU

## 製品に関する重要なお知らせ

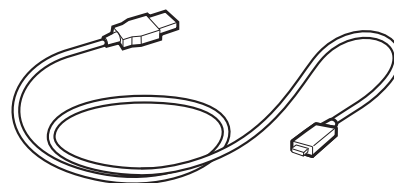
本機に関するヘルプおよびサポート情報を以下に示します。

ヘルプおよびサポート情報	説明
クイックスタートガイド (本ガイド)	STU-430 と STU-530 についての、接続方法や使用方法、製品仕様に関する概要を確認できます。 また安全上の注意やその他の重要な情報も確認できます。 本機の使用前に必ずお読みください。

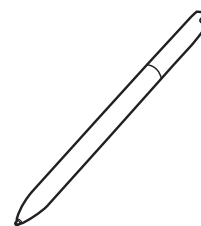
## 付属品



ペン紛失防止ケーブル



USB ケーブル(3 m)



電子ペン

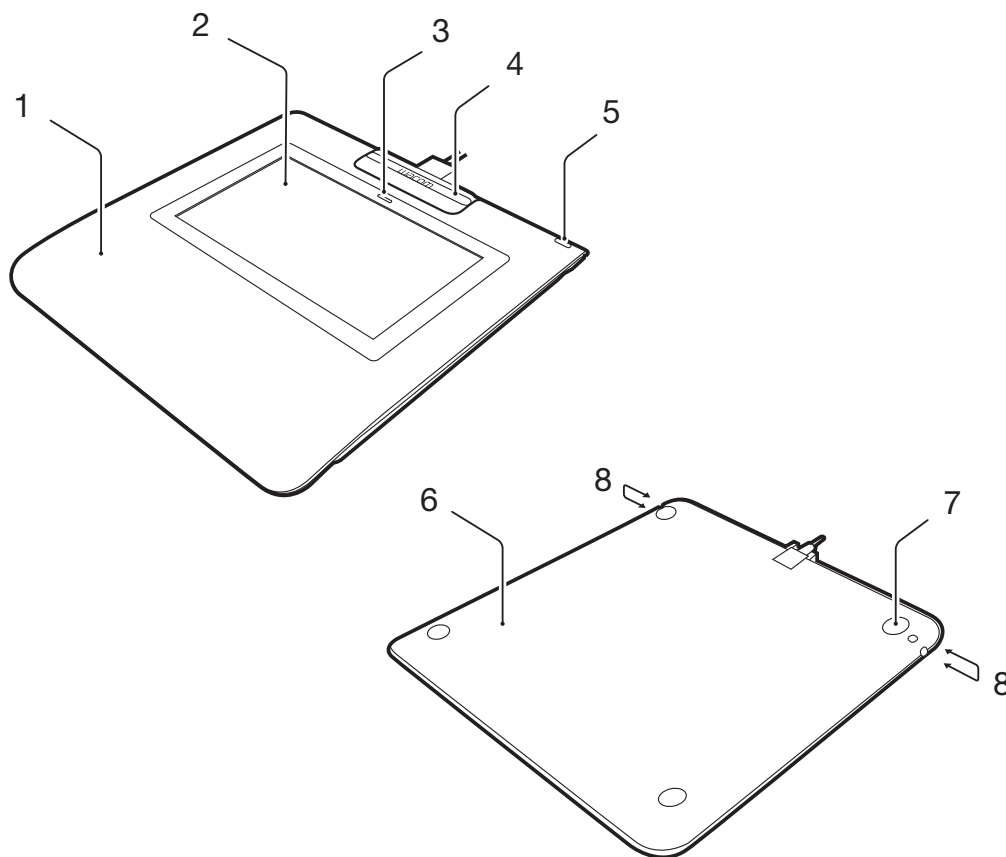


クイックスタートガイド

JP

## 各部の名称

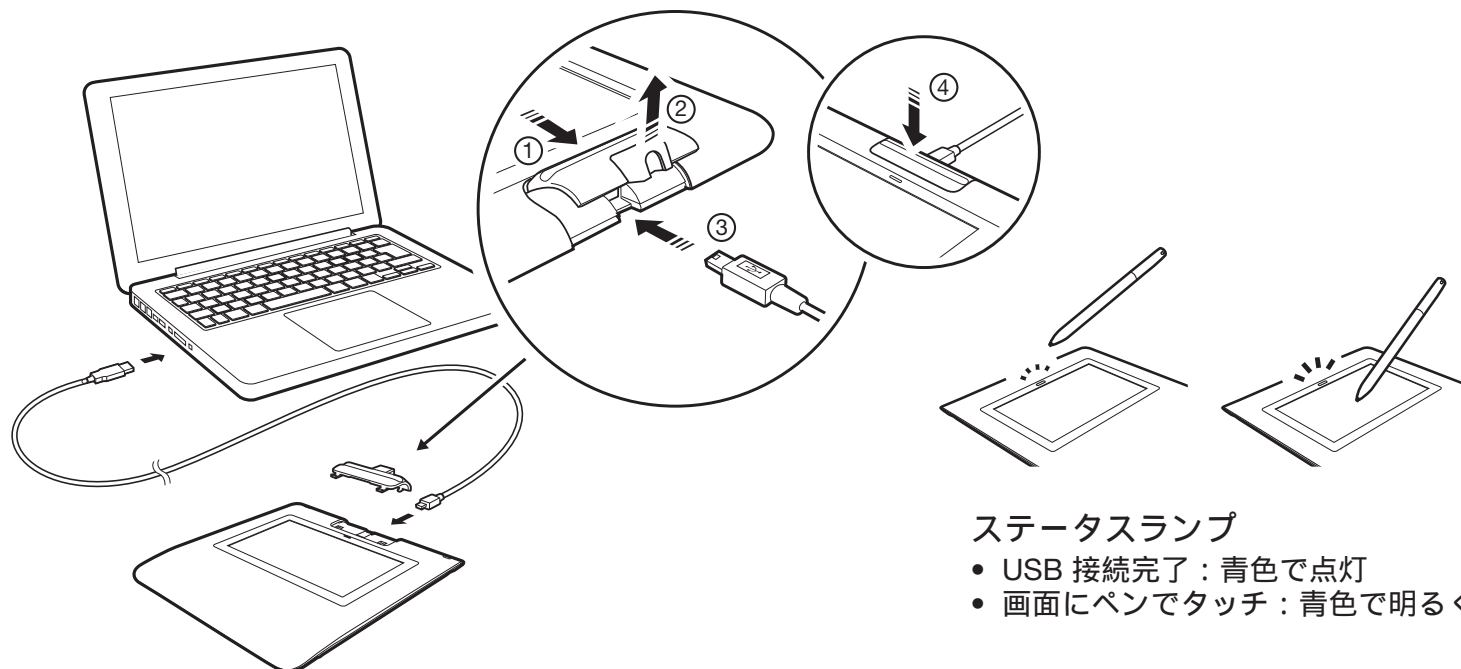
1. 本体ケース（上）
2. 署名エリア液晶表示部
3. ステータスランプ
4. ペントレイ
5. セキュリティロック・  
スロット
6. 本体ケース（下）
7. ラバーフット
8. ペン紛失防止ケーブル  
取り付け穴



JP

## 本機とコンピュータの接続

1. USB ケーブルを本機に接続する前に、ペンホルダーを外してコネクタが見える状態にします。  
ペンホルダーを外すには、ペンホルダーを本機の上方にスライドさせてから、持ち上げます。USB ケーブルを接続したら、ペンホルダーを元の状態に戻します（ペンホルダーは USB ケーブルを保護し、偶発的な抜けを防止するように設計されています）。
2. USB コネクタをコンピュータの USB ポートに差し込みます。

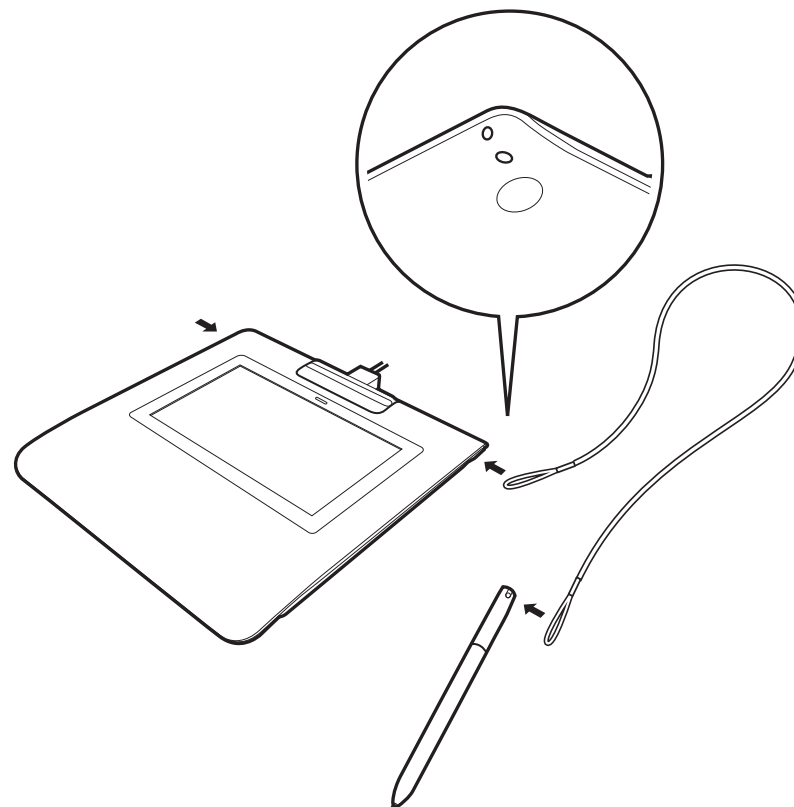
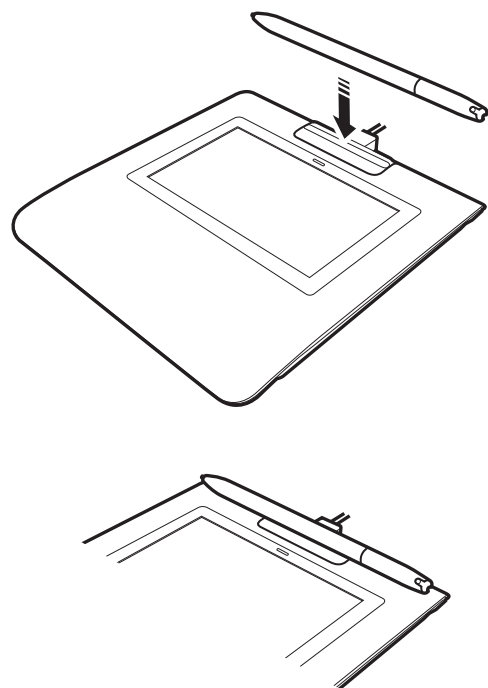


JP

## ペンホルダーとペン紛失防止ケーブル

ペンを使用しないときは、ペンホルダーの上に置きます。

ペン紛失防止ケーブル取り付け穴




JP

## サポート窓口について

本製品についてのお問い合わせは、以下のワコムサポートセンターまたはサポートホームページで承ります。消耗品などのご購入には、ワコムストアをご利用ください。

### サポート窓口のご案内

<p>製品サポートについて <a href="http://tablet.wacom.co.jp/customer-care/">http://tablet.wacom.co.jp/customer-care/</a></p>	<p>皆様からのお問い合わせの多い内容をFAQとしてワコムのホームページに掲載しております。ぜひ、ご利用ください。左のホームページからアクセスし、「よくあるご質問：FAQ」を選択してください。 インターネットFAQより解決策が得られない場合、ホームページ上のサポートセンターへのお問い合わせフォームをご利用ください。</p>
<p>電話によるサポート ナビダイヤル  0570-05-6000</p>	<p>タブレットやペンの操作についてのご質問、動作不良についてのご相談に電話でお答えします。 受付時間：平日 9:00 ~ 20:00 土曜日 10:00 ~ 17:00 (日曜、祝日、および年末年始など弊社指定休日を除く)</p> <p>ナビダイヤルについて： ナビダイヤルは、NTT コミュニケーションズ株式会社のサービスです。ダイヤル Q2 などの有料サービスではありません。 この番号におかけいただいた場合は、電話接続前に通話料金の概算をお知らせするメッセージが流れ、電話料金がいくらかかるか事前にお知らせいたします。 IP 電話および PHS からはご利用いただけません。また NTT 以外の電話会社をお使いの場合は、ナビダイヤルをご利用できないことがあります。下記の番号をご利用ください。 TEL 03-5337-6701</p>

JP

## 安全にお使いになるためのご注意

STU-430、STU-530 液晶サインタブレット（以下、「本機」または「液晶サインタブレット」と呼びます）をお使いになる前に本書をよくお読みになり、記載事項を守ってお使いください。

### 警告

高度な安全性や信頼性が要求される設備の制御システムには使用しない

- 他の電子装置に影響を与えたり、他の電子装置から影響を受けて誤動作することがあります。

電子機器の使用を禁止された場所では使用しない

- 航空機など電子機器の使用を禁止された場所や、電磁波の影響で誤動作のおそれのある機器のそばでは使用しないでください。他の電子装置に影響を与える場合があります。

分解をしない

本機やペンを分解したり改造しないでください。発熱・発火・感電・けが等の原因となります。一度でも本機を分解した場合は、保証が無効となりますのでご注意ください。

### 注意

温度が高すぎる場所や低すぎる場所に置かない

- 暑い場所（35 以上）や寒い場所（5 以下）に本機を置かないでください。また、温度変化の激しい場所に置かないでください。本機や部品に悪影響を与え、故障の原因になります。

水に濡らさない

- 水や液体の入ったコップや花びんを本機の近くに置かないでください。水や液体に濡れると、故障の原因となります。

ほこりがかからないように使う

- 故障の原因になります。

濡れた液晶に触れない

液晶パネル内部には刺激性の物質が使用されています。万一、液晶パネルより液晶が漏れた場合は素手で触れないでください。触れたり目に入った場合は、ただちに 15 分以上流水で洗い、医師に相談してください。

電子ペンについて

- 付属の電子ペンで固いものを叩かないでください。故障の原因になります。
- 小さなお子様が電子ペンや替え芯などを口の中に入れていないようご注意ください。芯が抜けて飲み込んだり、また電子ペンが故障する恐れがあります。
- ペン先が押された状態で保管しないでください。故障の原因になります。

液晶表示部を傷つけないでください。液晶表示部に先の尖ったものなどを置かないでください。

強い衝撃や振動を本機やペンに与えないでください。本機を叩いたり、本機の上に物を落としたりすると、破損したり故障の原因となります。

重いものを置かない

本機の上に乗ったり、重いものを置かないでください。故障の原因になることがあります。

ケーブルに力を加えない

本機のケーブルに重いものを載せたり、踏んだりしないでください。また、付け根部分に過度の力を加えたり、曲げ伸ばしを繰り返したりしないでください。断線や故障の原因になります。

ペン芯の交換について

ペン芯が尖っていたり角張っていると、液晶表示部の保護板表面を傷つける場合があります。必要に応じて、ペン芯を交換してください。

アルコールなどの有機溶剤や洗剤を使って拭かない

液晶表示部の汚れを落とす場合、アルコールなどの有機溶剤や洗剤を使わないでください。液晶表示部のコーティングが剥がれる場合があります。

## 本機使用上のお願い

### ペン芯の交換

ペン芯は使用していくうちに摩耗します。芯が短くなったり角張ったときは、ペン芯を交換してください。

### 使用上のお願い

長時間同じ画面を表示しない

長時間同じ画像を表示していると、画面表示を変更した時に前の画面の表示が残像のように残ることがありますが、故障ではありません。画面表示を変更することで徐々に解消しますが、あまり長時間同じ画面を表示すると消えなくなりやすいため、使用していない時は動きのあるスクリーンセーバを使用するなど画面表示を定期的に変更することをお勧めいたします。



## 液晶サインタブレットのお手入れ

電子ペンと液晶サインタブレットの液晶表示部の表面を清潔にしてください。ほこりやゴミなどの粒子が電子ペンの芯に付き、液晶表示部の表面をすり減らす原因となります。定期的なお手入れにより液晶表示部の表面と電子ペンの寿命を長くすることができます。本機と電子ペンを清潔で乾いた場所に保管し、温度変化の激しい場所には置かないでください。室温が適切です。本機と電子ペンは分解しないでください。分解すると、保証が無効になります。

## 汚れを落とす

本機のケース部分や電子ペンが汚れたら、清潔な柔らかい布で拭いてください。汚れが落ちない場合は、中性洗剤を薄めたものを清潔な柔らかい布にふくませ、固く絞ってから拭いてください。塗料用シンナー、ベンジン、アルコールや他の溶剤はお使いにならないでください。液晶表示部の保護板が汚れたら、静電気防止用の布、またはわずかに湿った柔らかい布でふいてください。液晶表示部を軽く押しながら拭き、表面を濡らさないでください。合成洗剤は使用しないでください。液晶表示部の保護板表面を傷つける場合があります。このような破損は保証の対象外となります。

## 製品仕様

### STU-430

#### 一般仕様

モデル	STU-430
外形寸法 (W x D x H)	161.43 x 174.37 x 10.85 mm
質量	本体 : 約 279 g
動作温度と湿度	5 °C ~ 40 °C、湿度 : 30 % ~ 80 % (結露なきこと)
保管温度と湿度	-20 °C ~ 60 °C、湿度 : 30 % ~ 90 % (結露なきこと)
インターフェースケーブル	USB A- mini B タイプ
消費電力	1.0 W (最大)

## ディスプレイ

表示パネル  
表示サイズ  
最大表示解像度  
画素ピッチ  
液晶の品質

反射型 FSTN 方式

4.5 型

320 x 200 ドット

0.30 (H) x 0.30 (V) mm

液晶パネルは非常に高い精密度の技術で作られていますが、まれに画素欠けや常時点灯の画素がある場合があります。故障ではありません。静止画を長時間表示したあとに残像が生じることがありますが、時間がたつと徐々に元に戻ります。

## ペンタブレット

読取方式  
読取可能範囲  
読取分解能  
読取精度

電磁誘導方式

95.985 x 59.985 mm

0.01 mm (2540 lpi)

± 0.5mm

ただし、操作面の周辺部は以下のとおり

表示領域端から 20 mm : ± 2.0 mm

表示領域端から 3 mm : ± 4.0 mm

5 mm

200 ポイント / 秒

1024 レベル

USB

読取可能高さ

読取速度

筆圧レベル

インターフェース

## その他

セキュリティロック・スロット 1

JP

## STU-530

### 一般仕様

モデル	STU-530
外形寸法 (W × D × H)	161.43 × 174.37 × 10.85 mm
質量	本体 : 約 289 g
動作温度と湿度	5 °C ~ 40 °C、湿度 : 30 % ~ 80 % (結露なきこと)
保管温度と湿度	-20 °C ~ 60 °C、湿度 : 30 % ~ 90 % (結露なきこと)
インターフェースケーブル	USB mini-B タイプ
消費電力	2.5 W (最大)

### ディスプレイ

表示パネル	カラー TFT 液晶
表示サイズ	5.0 型 (108.0 × 64.8 mm)
最大表示解像度	800 × 480 ドット (WVGA)
画素ピッチ	0.135 (H) × 0.135 (V) mm
液晶の品質	液晶パネルは非常に高い精密度の技術で作られています。まれに画素欠けや常時点灯の画素がある場合があります。故障ではありません。静止画を長時間表示したあとに残像が生じることがありますが、時間がたつと徐々に元に戻ります。

## ペンタブレット

読取方式	電磁誘導方式
読取可能範囲	108.0 × 64.8 mm
読取分解能	0.01 mm (2540 lpi)
読取精度	± 0.5mm ただし、操作面の周辺部は以下のとおり 表示領域端から 20 mm : ± 2.0 mm 表示領域端から 3 mm : ± 4.0 mm
読取可能高さ	5 mm
読取速度	200 ポイント / 秒
筆圧レベル	1024 レベル
通信インターフェース	USB

### その他

セキュリティロック・スロット	1
----------------	---

## 電子ペン UP-610-89A-1

外形寸法 (長さ × 幅)	140.5 × 9.0 mm
質量	約 7 g

## 保証書

保証期間： お買い上げ日から 1 年間  
お買い上げ日：           年       月       日  
シリアル番号：  
販売店名・住所・TEL：

印

TEL (                   )                   -

### 保証規定

1. お客様がご使用になられる弊社製液晶サインタブレットの取扱説明書や本体添付ラベル等の注意書きなどに従い、正しく使用したにもかかわらず、お買い上げから 1 年以内に万一ハードウェアが故障した場合には、無償で修理させていただきます。ハードウェアとは液晶サインタブレット本体とその付属品（電子ペンなど）です。ただし、クイックスタートガイドなどの印刷物、ペン芯やディスプレイ表面の摩耗は除きます。
2. 万一、ご購入時点で既に製品に不良があった場合。
  - (イ) 必ず購入日から 1 週間以内にワコムサポートセンターにご連絡ください。ワコムサポートセンターで、製品不良であることが確認された場合のみ製品の交換をお受けします。お客様自身の判断による不良品としての交換、返品は一切応じかねますのでご注意ください。製品の交換の際は、不良内容を明記して販売店にお返しく下さい。
  - (ロ) 1 週間以降の場合は、1. に準ずるもの（修理扱い）になります。
3. 次にあげる場合には、保証期間中であっても保証の対象とはなりません。
  - (イ) 誤ったご使用方法による故障、または損傷。
  - (ロ) お買い上げ後の落下などによる故障、または損傷。
  - (ハ) お客様が改造または修理されたためと認められる故障、または損傷。
  - (ニ) 災害、あるいは異常電圧などの外部要因による故障、または損傷。
  - (ホ) 接続している他の機器の故障に起因して本製品に故障を生じた場合。
  - (ヘ) 保証書の提示がない場合、または保証書に押印やお買い上げ日など必要事項の記入がない場合、または保証書の字句を書き換えられた場合。
4. 本製品の修理を依頼される場合は、ワコム製以外の他の機器や保護フィルムを取り外してからお送りください。
5. 故障等により本製品を弊社に送付いただく費用はお客様がご負担ください。お客様への返却費用は弊社の負担とさせていただきます。故障により本製品を弊社に送付される場合は、運送中に破損しないよう、梱包してお送りください。運送中に破損した場合の修理は弊社では負担できません。
6. 本保証は日本国内においてのみ有効です。
7. 弊社は本製品の運用を理由とする損失や逸失利益などにつきましては、い

かなる責任も負いません。

本保証はここに明示してある期間、条件のもとにおいて本製品の無償修理を行なうことをお約束するものです。したがって本保証によってお客様の法律上の権利を制限するものではありません。保証期間経過後の修理などについては、ワコムサポートセンターにお問い合わせください。

この保証書が販売店により記入されていることを必ずご確認ください。記入がない場合には直ちにお買い上げの販売店にお申し出いただくか、お買い上げ日を確認できる帳票（納品書、領収証、レシートなど）のコピーを添付してください。販売店による記入もお買い上げ日を確認できる帳票のコピーの添付もない場合、保証書は無効になります。

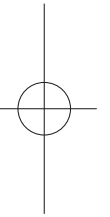
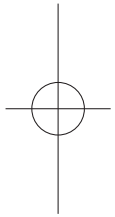
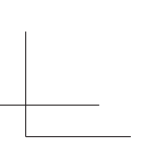
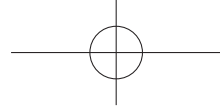
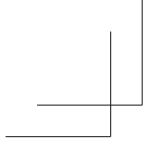
## 電波障害自主規制等について



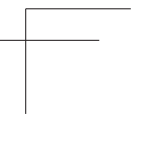
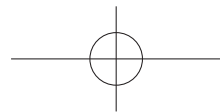
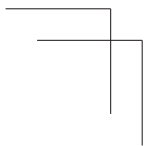
この装置は、クラス B 情報装置です。この装置は、家庭環境で使用されていることを目的としていますが、この装置がラジオやテレビジョン受信機に近接して使用されると、受信障害を起すことがあります。取扱説明書にしたがって正しい取り扱いをしてください。

VCCI-B

JP



JP

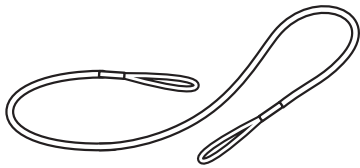


## 중요 정보

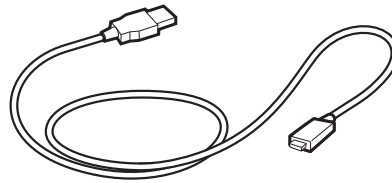
다음 항목은 제품에 대한 도움과 지원 정보를 제공합니다.

도움과 지원 정보	설명
퀵 스타트 가이드 (본 문서)	STU-430 과 STU-530 에 대한 일반적인 개요를 설명합니다 . 제품 연결과 사용에 대한 정보가 들어 있습니다 . 또한 주의 사항 , 제품 규격 , 기타 중요한 정보가 들어 있습니다 . 사용하기 전에 이 정보를 잘 읽어보십시오 .

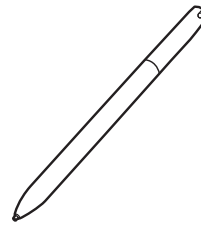
## 제공되는 액세서리



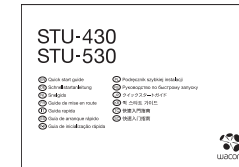
펜 연결 끈



USB 케이블 (3 m)



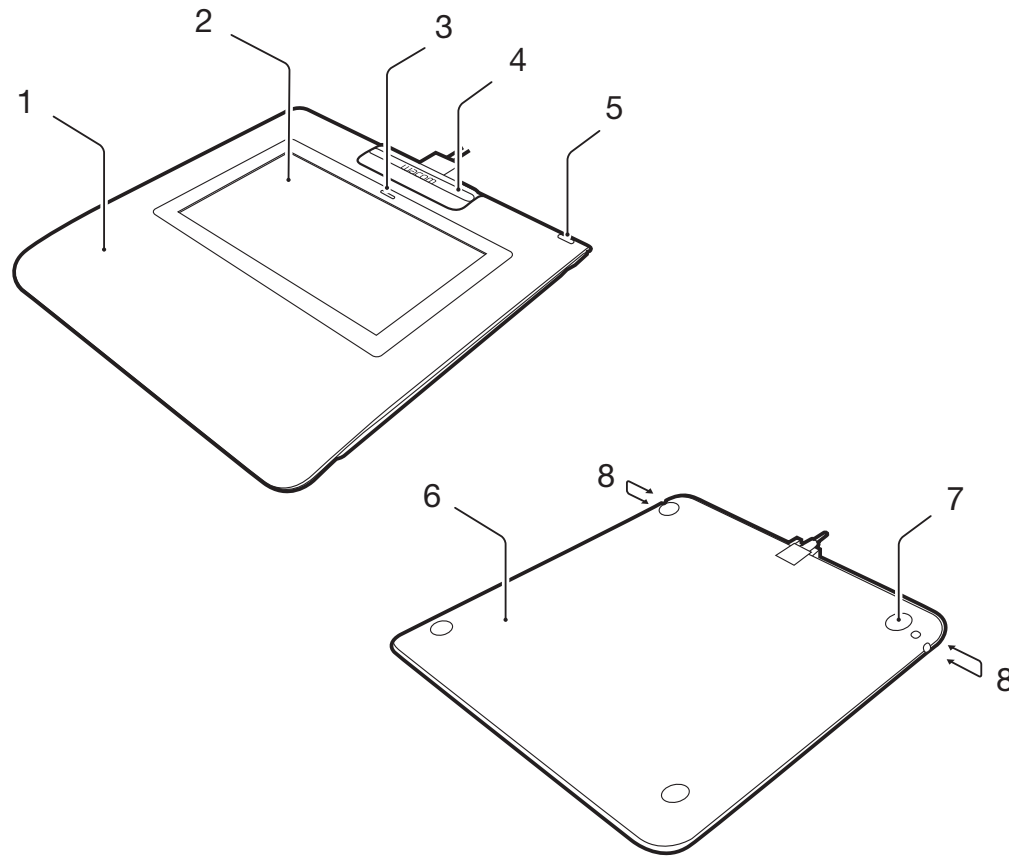
펜



퀵 스타트 가이드

## 제품 소개

1. 케이스 앞면
2. 서명패드
3. LED
4. 펜 홀더
5. 보안 잠금 슬롯
6. 케이스 뒷면
7. 미끄럼방지 발판
8. 펜 연결핀 구멍



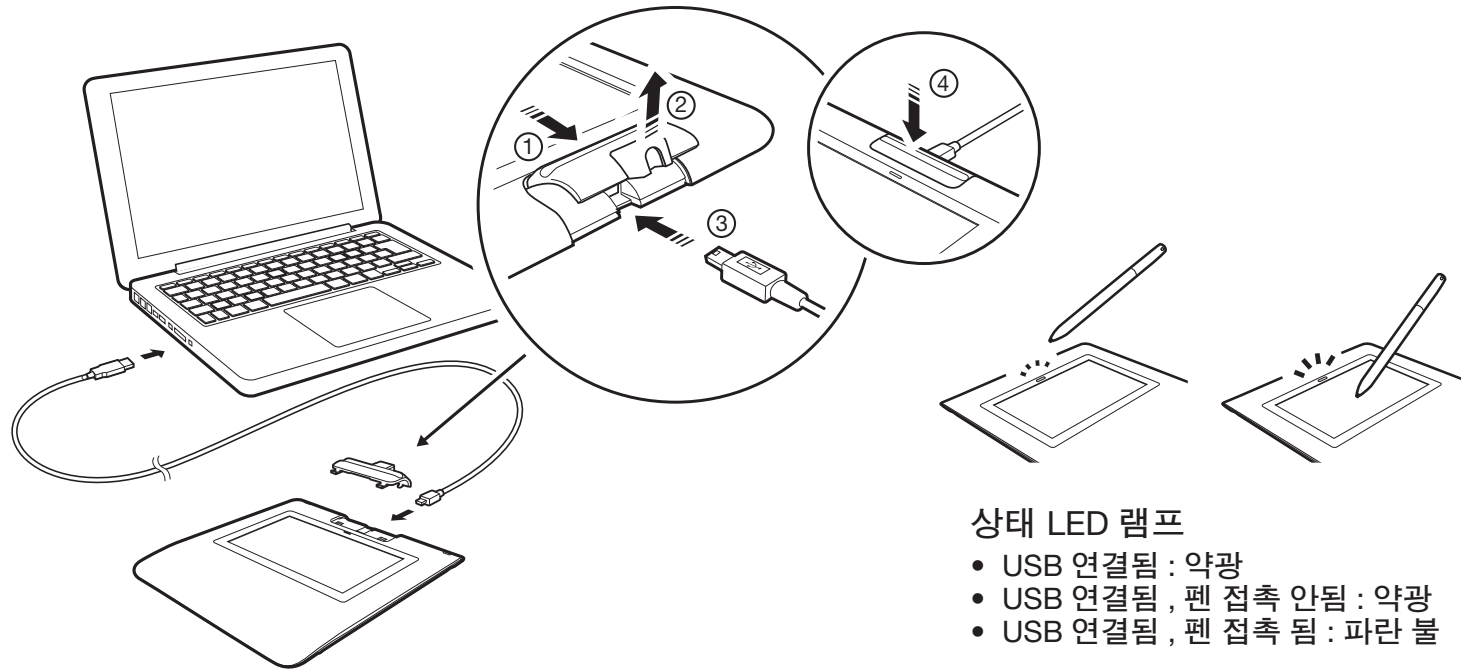
KR



## 제품을 컴퓨터에 연결

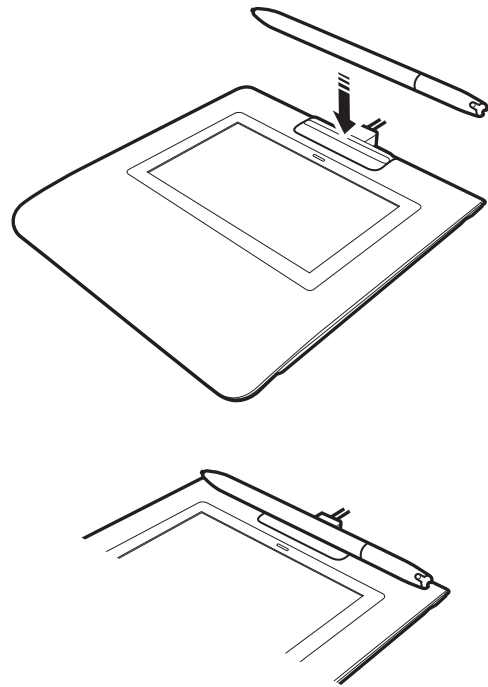
1. 컴퓨터를 끕니다.
2. USB 커넥터를 남는 USB 포트에 꽂습니다.

USB 케이블을 서명 패드에 연결하기 전, 커넥터를 노출시키기 위해 펜 홀더를 제거해야 합니다. 이를 위해 펜 홀더를 서명패드 위 방향으로 밀고 들어 올립니다. USB 케이블을 연결한 후, 펜 홀더는 다시 제 자리에 고정합니다. (펜 홀더는 USB 를 보호하고 실수로 분리하는 것을 예방하기 위해 디자인 되어 있습니다.)

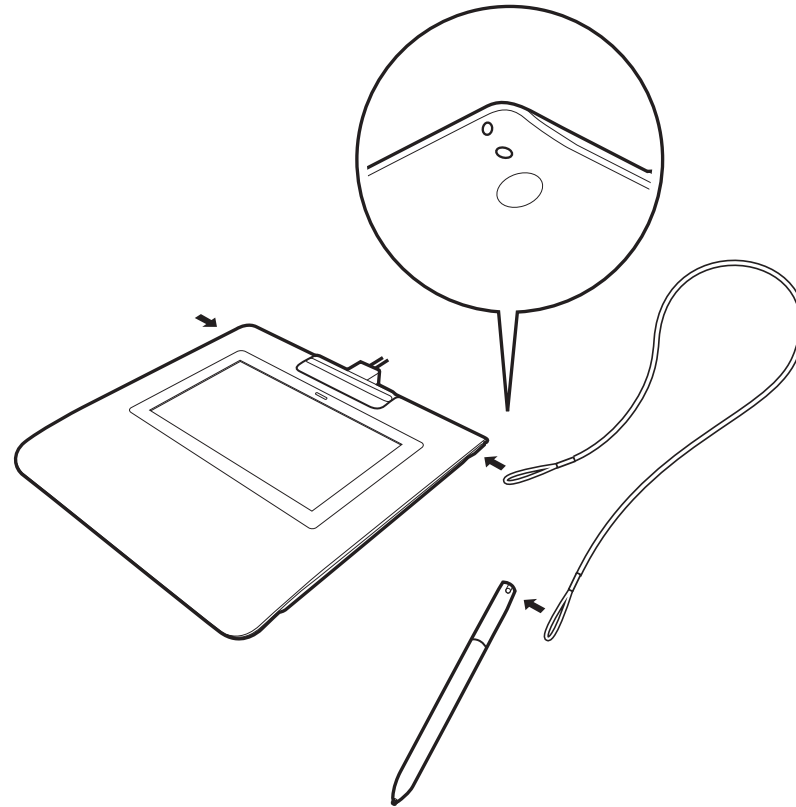


KR

## 펜 홀더와 펜 연결끈



펜 연결끈 구멍



KR

## 제품 등록

<https://register.wacom.asia/> 를 방문해 지역을 선택한 후 등록 옵션을 선택합니다.

## 지원 옵션

<http://www.wacom.asia/customer-care> 의 웹사이트를 방문하시기 바랍니다.

## 주의 사항

본 설명서에 명시된 모든 지시, 주의, 경고 사항을 반드시 준수하십시오. 그렇지 않을 경우 데이터 손실 또는 컴퓨터 손상의 원인이 될 수 있으며 무상 보증을 받을 수 없게 되고 와콤은 제품 수리 및 교환의 책임을 지지 않게 될 수 있습니다.

### 경고

극도로 높은 신뢰성이 요구되는 장비 제어 시스템에는 제품 LCD 서명 타블렛을 사용하지 마십시오. 다른 전자 기기의 오작동을 유발하거나 다른 기기가 LCD 서명 타블렛의 오작동을 유발할 수 있습니다.

사용이 금지된 장소에서는 다른 전자 기기의 오작동을 유발할 위험을 방지하기 위해 제품의 전원을 꺼 주십시오. 와콤은 어떠한 직간접적인 손상에 대해서도 책임을 지지 않습니다.

고전압 제품 LCD 서명 타블렛을 열거나 분해하지 마십시오.

케이스를 열 때 감전될 위험이 있습니다. 이를 준수하지 않을 경우 무상 보증을 받을 수 없게 되고 와콤은 제품 수리와 교환의 책임을 지지 않게 됩니다.

LCD 화면이 손상된 경우에 누출된 액체를 만지지 마십시오. 자극성 액체입니다. 피부, 눈, 입에 묻은 경우에는 즉시 흐르는 물에 최소 15 분 이상 씻어 주십시오. 그리고 눈이나 입에 묻은 경우에는 의사의 상담을 받으십시오.

어린이가 펜촉을 삼키게 되는 것을 방지하십시오. 어린이가 펜촉을 물어뜯으면 펜촉이 빠질 수 있습니다.

### 주의

다음 장소에서는 LCD 서명 타블렛을 사용하거나 보관하지 마십시오.

- 온도 변화가 크거나 사양에 명시된 이외의 장소 (실외 또는 자동차 내부 등).
- LCD 서명 타블렛이 직사광선, 기기에서 발생하는 고온의 열, 물이나 기타 액체에 노출되는 장소.

먼지가 많은 장소에서 LCD 서명 타블렛을 사용하지 마십시오. 기기가 손상될 수 있습니다.

펜을 분해하지 마십시오. 펜이 고장날 수 있습니다. 이러한 경우 와콤은 제품의 수리와 교환의 책임을 지지 않습니다.

디스플레이 화면을 긁지 마십시오. 디스플레이 화면의 표면 위에 날카로운 물체를 올려놓지 마십시오.

제품 또는 또는 펜에 강한 충격이나 진동을 가하지 마십시오. LCD 서명 타블렛을 두드리거나 떨어뜨릴 경우 디스플레이 화면 또는 기타 구성품이 손상될 수 있습니다.

LCD 서명 타블렛 위에 무거운 물건을 올려 놓거나 세게 누르지 마십시오. 디스플레이 화면이 손상될 수 있습니다.

제품의 케이블 위에 무거운 물건을 올려 놓거나 케이블을 반복해 크게 구부리거나 케이블 단자에 세게 압박을 가하지 마십시오. 기기 또는 케이블이 손상될 수 있습니다.

펜촉이 날카로워지거나 모가 나게 되면 디스플레이 화면의 코팅을 손상시킬 수 있습니다. 필요에 따라 펜촉을 교환해 주십시오.

제품을 LCD 화면 위의 높은 전압의 정전기 방전 또는 축적된 정전기 전하에 노출시키지 마십시오. LCD 모니터에 일시적인 얼룩이 생길 수 있습니다. 얼룩이 생기면 제품의 디스플레이를 켜진 상태로 그대로 두면 몇 시간 안에 얼룩이 사라집니다.

## 본 제품 사용 시 참고사항

### 펜촉 교환 방법

펜촉을 교환할 필요가 있는 경우에는 거주 지역의 와콤 서명 솔루션 협력업체에 문의하십시오.

### 사용 시 참고사항

LCD 패널을 오랜 기간 계속해서 작동하면 방전 자국이 LCD 내부의 전극에 남아 이전 이미지의 잔상이나 “고스트” 이미지가 관찰될 수 있습니다. (잔상)

잔상을 없애기 위해 와콤은 전원을 켜고서 사용하지 않는 화면에는 동적 화면보호기를 사용할 것을 권장합니다.

### LCD 서명 타블렛 관리 방법

펜과 LCD 서명 타블렛의 LCD 화면의 표면을 청결하게 관리해 주십시오. 펜에 먼지가 달라붙으면 디스플레이 화면 표면을 마모시킬 수 있습니다. 정기적인 청소는 LCD 화면 표면과 펜의 수명을 연장시켜 줍니다. 타블렛과 펜은 깨끗하고 건조한 장소에 보관하고 온도가 너무 높거나 낮은 장소에 보관하지 마십시오. 상온이 가장 적합합니다. 제품과 펜은 분해할 수 없습니다. 제품을 분해할 경우 무상 보증을 받을 수 없게 됩니다.

### 청소

LCD 서명 타블렛 케이스 또는 펜을 청소할 때는 부드러운 천을 축축하게 적셔 사용하십시오. 순한 비누를 물로 희석해서 천을 적셔 사용할 수도 있습니다. 페인트 시너, 벤젠, 알코올, 기타 용제를 사용해 케이스 또는 펜을 닦지 마십시오.

디스플레이 화면의 청소에는 정전기 방지 천이나 살짝 적신 천을 사용하십시오. 청소를 할 때는 디스플레이 화면 표면을 가볍게 닦고 표면을 적시지 마십시오. 세제를 사용해 디스플레이 화면을 닦지 마십시오. 화면의 코팅이 손상될 수 있습니다. 이러한 종류의 손상은 제조업체의 보증 범위에 해당하지 않습니다.

## 제품 사양

### STU-430

#### 일반 사양

모델 / 브랜드  
크기 (너비 x 깊이 x 높이)  
중량  
작동 온도 및 습도  
보관 온도 및 습도  
인터페이스 케이블  
전력 소비

STU-430  
161.43 x 174.37 x 10.85 mm  
본체 : 약 0.279 Kg  
5 ~ 40 °C , 습도 : 30% ~ 80% 상대습도  
(불 응축)  
-20 ~ 60 °C , 습도 30% ~ 90% 상대습도  
(불 응축)  
USB A 형 ~ USB 미니 B  
최대 1.0 W

#### 디스플레이

디스플레이 패널  
화면 크기  
픽셀 수  
픽셀 피치  
LCD 품질

FSTN 포지티브 반사형  
4.5 인치 (95.985 x 59.985 mm)  
320 x 200  
0.30 (수평) x 0.30 (수직) mm  
각 LCD 는 패널은 엄격한 품질 기준에 의해  
생산됩니다. 생산 기술이 완벽한 디스플레이를  
보증하지는 않습니다. 외관은 어떤 픽셀도  
항상 하얀색이거나 항상 검은색 이도록  
허용하지 않습니다. 일부 색 스펙트럼에 대해  
소량의 픽셀이 잘못된 색을 보일 수 있습니다.  
이는 디스플레이가 불량임을 의미하지  
않습니다.

#### 펜 태블릿

읽기 기술  
활성 영역  
해상도  
정밀도

전자기 유도 기술  
95.985 x 59.985 mm  
2540 lpi 또는 0.01 mm/ 포인트  
± 0.5 mm (중앙), 모서리 부분 1은  
(디스플레이 모서리 부분에서 20 mm 너비)  
± 2.0 mm이며, 모서리 부분 2는 (디스플레이  
모서리 부분에서 X 3mm 너비) ± 4.0 mm 임

감지 높이  
최대 속도 리포트  
압력 레벨  
통신 인터페이스

5 mm 이상 (중앙)  
200 포인트 / 초  
1024 레벨  
USB

#### 기타

보안 슬롯

1

### STU-530

#### 일반 사양

모델 / 브랜드  
크기 (너비 x 깊이 x 높이)  
중량  
작동 온도 및 습도

STU-530  
161.43 x 174.37 x 10.85 mm  
본체 : 약 0.289 Kg  
5 ~ 40 °C , 습도 : 30% ~ 80% 상대습도  
(불 응축)  
-20 ~ 60 °C , 습도 30% ~ 90% 상대습도  
(불 응축)

보관 온도 및 습도

USB A 형 ~ USB 미니 B  
최대 2.5 W

인터페이스 케이블  
전력 소비

#### 디스플레이

디스플레이 패널  
화면 크기  
픽셀 수  
픽셀 피치  
LCD 품질

아모퍼스 -TFT-LCD  
5.0 인치 (108.0 x 64.8 mm)  
800 x 480, WVGA  
0.135 (수평) x 0.135 (수직) mm  
각 LCD 는 패널은 엄격한 품질 기준에  
의해 생산됩니다. 생산 기술이 완벽한  
TFT 디스플레이를 보증하지는 않습니다.  
외관은 어떤 픽셀도 항상 하얀색이거나 항상  
검은색 이도록 허용하지 않습니다. 일부  
색 스펙트럼에 대해 소량의 픽셀이 잘못된  
색을 보일 수 있습니다. 이는 디스플레이가  
불량임을 의미하지 않습니다.

KR

## 펜 태블릿

읽기 기술	전자기 유도 기술
활성 영역	108.0 x 64.8 mm
해상도	2540 lpi 또는 0.01 mm/ 포인트
정밀도	± 0.5 mm (중앙), 모서리 부분 1 은 (디스플레이 모서리 부분에서 20 mm 너비) ± 2.0 mm이며, 모서리 부분 2는 (디스플레이 모서리 부분에서 X 3mm 너비) ± 4.0 mm 임
감지 높이	5 mm 이상 (중앙)
최대 속도 리포트	200 포인트 / 초
압력 레벨	1024 레벨
통신 인터페이스	USB

## 기타

보안 슬롯	1
-------	---

## 펜 UP-610-89A-1

실제 크기 (길이 * 둘레)	140.5 * 9.0 mm(5.53 * 0.35 인치)
중량	약 7 그램 (0.25 온스)
펜 끝 둘레	약 0.2mm (0.04 인치)

## 품질 보증 (아시아 태평양 지역)

와콤 (사)은 영수증 사본, 구매 확인서 등을 기반으로 정품구매 날짜로부터 1년 동안 정상적인 사용과 서비스 하에서 주요장치와 USB 케이블과 같은 액세서리를 포함하여 정품 소비자 (구입자)의 제품에 재질 및 제작상의 결함이 없음을 보증합니다.

소프트웨어는 자체적으로 “사용권한” 이 주어집니다. 와콤은 소프트웨어의 품질 또는 성능 이외에는 보증하지 않습니다. 와콤은 지속적인 서비스 및 어떤 에러에 대한 수정을 보장하지 않습니다. 와콤은 또한 배터리, 펜 카트리지, 태블릿 보호시트지, 펜심과 같은 소모품에 대해서는 보증하지 않습니다.

보증기간 안에 소프트웨어를 제외한 제품에 결함이 발견된 경우, 제품 사용자는 와콤 고객 지원 센터에 연락하여 제품의 교환이나 수리에 관한 정보를 받아야 합니다.

와콤과 와콤의 협력사는 지불된 운송료에 대하여 상환할 의무가 없습니다.

제품 수리를 위해 제반되는 운송비는 와콤의 규정에 따르며, 와콤이 아닌 제품을 구매한 곳과의 운송비는 구매자와 구매처와의 처리 조율에 따르며 와콤은 이에 대해 어떠한 의무가 없습니다.

보증에 대한 당사의 책임은 보증기간 이내에 접수 받은 제품이며, 이상이 있는 제품의 수리 또는 부품 교환입니다.

와콤은 제품이 화재에만 국한되지 않는 불가항력, 자연 재해, 사고 또는 고의적이거나 우발적인 남용, 오용, 태만 또는 임의의 변경 또는 수리, 사용설명서의 내용과 다른 사용법, 제품을 와콤의 보관 지시에 따르지 않고 취급하거나 보관한 경우에는 수리 및 교환에 대한 책임을 지지 않습니다.

제품 판매와 관련하여 사용되는 설명서, 그림, 사양, 샘플, 모델, 안내문 또는 그와 유사한 것들의 내용과 실제 제품은 일치하지 않을 수 있으며 당사는 이에 대한 보증을 제공하지 않습니다.

당사는 상기에 기술된 품질 보증을 제외한 다른 어떠한 제품에 관련된 보증도 제공하지 않습니다. 당사, 대리점, 유통업자, 또는 당사의 직원들이 제공한 구두 또는 서면 정보로 인해 별도의 보증을 제공하지 않고 본 보증의 범위를 늘리지도 않으므로 여러분은 그러한 정보만을 신뢰해서는 안 됩니다. 본 보증을 통해 여러분은 특정한 법적 권리를 갖게 되며 이 보증은 국가에 따라 달라질 수 있습니다.

당사는 상품성에 대한 보증 또는 특정 목적에 부합여부에 대한 보증을 포함한 모든 법적 구속력을 갖는 보증에 대한 기간을 당사가 명시한 기간으로 한정합니다. 일부 국가에서는 보증 제한 기간이 명시되지 않을 수 있으므로 상기의 기간이 적용되지 않을 수 있습니다.

본 제품의 제작, 생산 또는 배송에 관련된 당사 또는 기타 제 3 자도 당사가 지시하지 않은 방법으로 제품을 사용 또는 사용자의 제품 사용에 대한 이해부족으로 인해 발생된 직접적이거나 우발적인 손해 (사업 이익의 손실, 사업 중단, 사업 정보의 손실 등에 대한 손해를 포함하여)에 대해 책임지지

않습니다. 일부 국가에서는 결과적이거나 우발적인 손해에 대한 배제 또는 제한이 적용되지 않음으로 상기의 제한 또는 배제가 적용되지 않을 수 있습니다.

상기 제한의 일부 또는 전부에 대한 구속력이 없을 경우 여러분 또는 제 3 자의 손해에 대한 당사의 책임은 소송의 유형과 관계 없이 제품 구매가격을 초과하지 않습니다.

본 품질 보증은 일본, 중화인민공화국, 홍콩 그리고 중동 국가를 제외한 아시아 태평양 국가와 지역에서 제품을 구매하고 사용했을 때만 유효하게 적용됩니다.

본 품질 보증은 와콤 (사) 의 아시아 태평양부의 최근 보증 제도를 기술한 것이며, 이전의 포장, 팸플릿, 사용설명서 등에 포함된 모든 보증서의 내용을 따랐습니다.

본 품질 보증은 일본의 법률에 의해 중재되며 사전 통지 없이 변경될 수 있습니다.

#### 한국 보증 서비스

##### Wacom Korea Customer Support

국내에서 구입한 와콤 정품에 대해서는, 소비자 구매일로부터 1 년간 무상보증을 지원합니다. 무상보증 기간 이외 또는 소비자 과실에 의한 유상 수리의 경우 별도의 요금이 발생합니다. 그 외 제품보증에 대한 사항은 [ 소비자기본법 ] 에 준하여 소비자분쟁해결기준에 따라 피해를 보상합니다. 보다 자세한 제품보증에 관한 내용은 <http://www.wacomkorea.com/support/warranty> 를 방문하여 주시기 바랍니다.

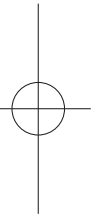
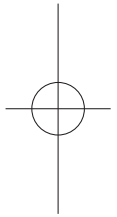
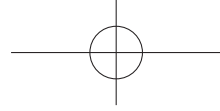
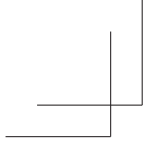
한국에서 기술 지원이나 보증 서비스를 받으시려면, +82-2-557-3894 또는 [support@wacomkorea.com](mailto:support@wacomkorea.com) 으로 연락 주시기 바랍니다.

#### KC (방송 통신 위원회) 기준

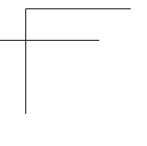
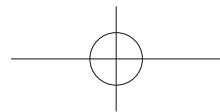
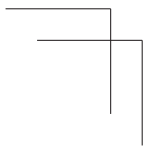


1. 기기의 명칭 (모델명) : LCD Signature Pad (STU-430)
2. 인증번호 : MSIP-REM-HV4-STU-430
3. 인증받은 자의 상호 : Wacom Co.,Ltd.
4. 제조년월일 : SERIAL 번호를참조하여주십시오 .
5. 제조자 /제조국가 : Wacom Co.,Ltd. /중국

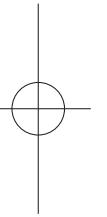
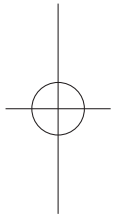
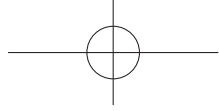
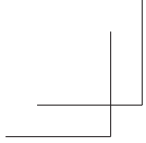
이 기기는 가정용 (B급) 으로 전자파적합등록을 한 기기로서 주로 가정에서 사용하는 것을 목적으로 하며, 모든 지역에 서 사용할 수 있습니다.



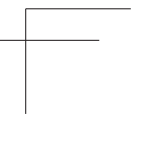
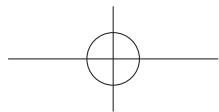
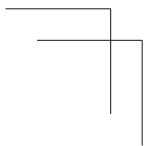
KR







KR

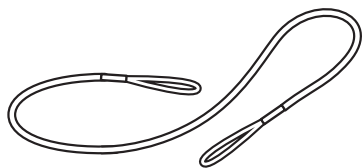


## 重要資訊

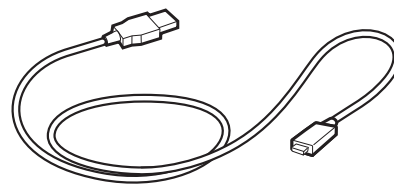
以下項目提供產品的說明及支援資訊。

說明及支援資訊	說明
快速入門指南(本指南)	STU-430 及 STU-530 的概要，其中包含有關連接及使用產品的資訊，以及安全措施、產品規格與其他重要資訊。使用前請仔細閱讀此資訊。

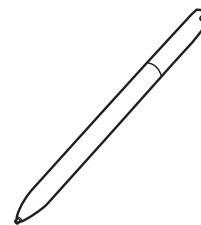
## 產品配件



筆繩



USB 連接線 (3 m)



電磁筆



STU-430  
STU-530

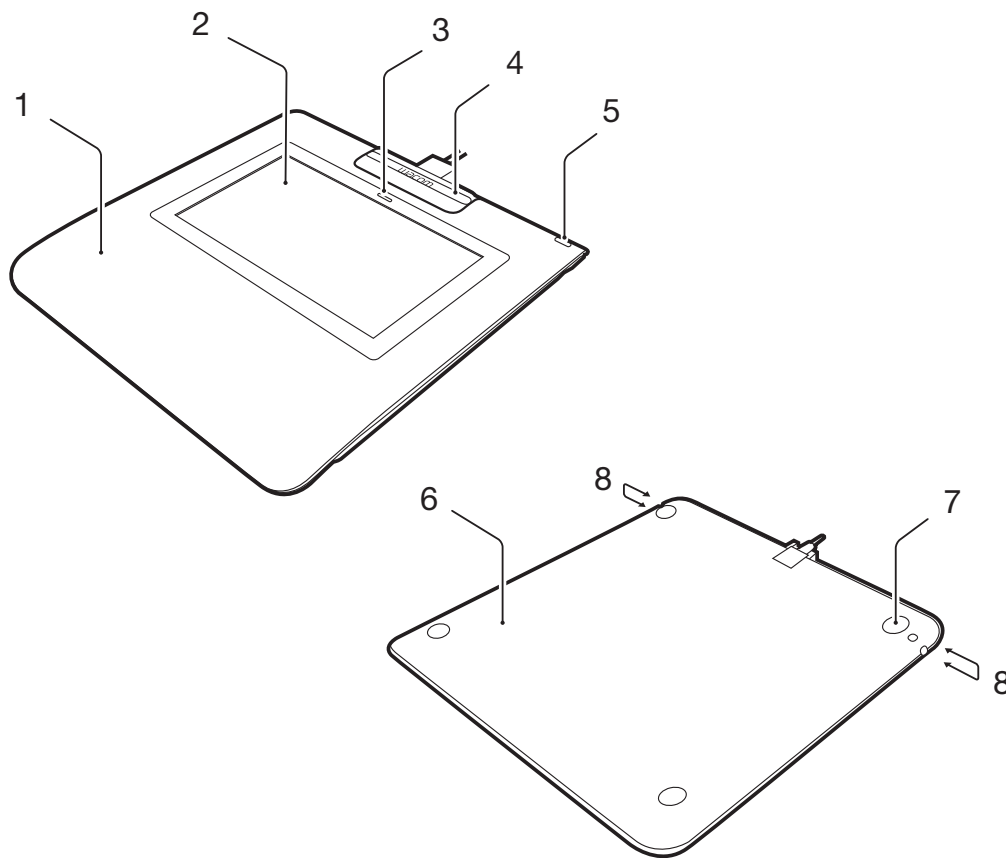
- 快速入門指南
- 快速入門指南
- 快速入門指南
- 快速入門指南
- 快速入門指南
- 快速入門指南
- 快速入門指南
- 快速入門指南
- 快速入門指南
- 快速入門指南
- 快速入門指南
- 快速入門指南



快速入門指南

## 認識產品

1. 前蓋
2. 簽名區域 (液晶顯示區)
3. 指示燈
4. 筆座
5. 安全鎖插槽
6. 後蓋
7. 腳墊
8. 筆繩連接孔



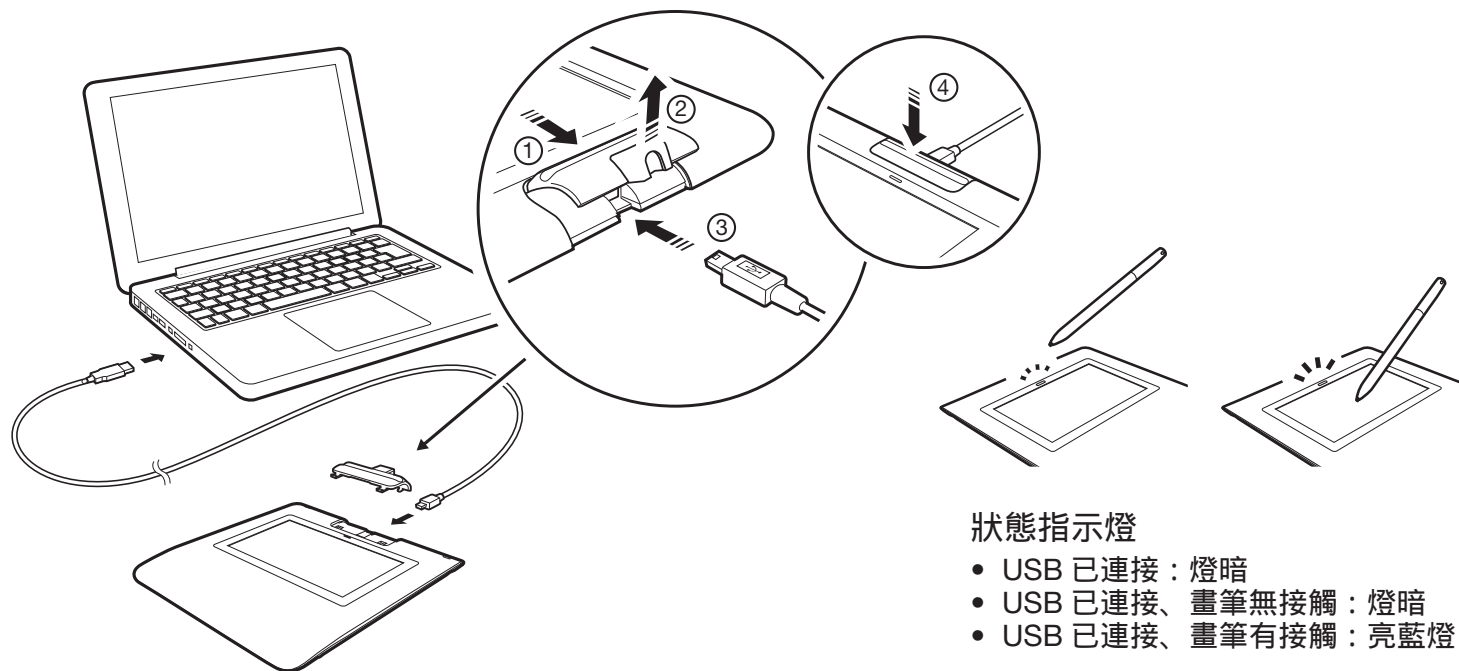
TC

## 將產品連接到電腦

1. 關閉電腦電源。
2. 將 USB 接頭插到電腦的 USB 埠。

在將 USB 連接線與簽名板連接前，須先移動筆座以露出接頭。

請將筆座朝簽名板頂端滑動後拉起，即可露出接頭。將 USB 連接線與簽名板連接後，可將筆座推回原位固定。（此筆座的設計可保護 USB 連接線，且能防止連接線意外脫落。）

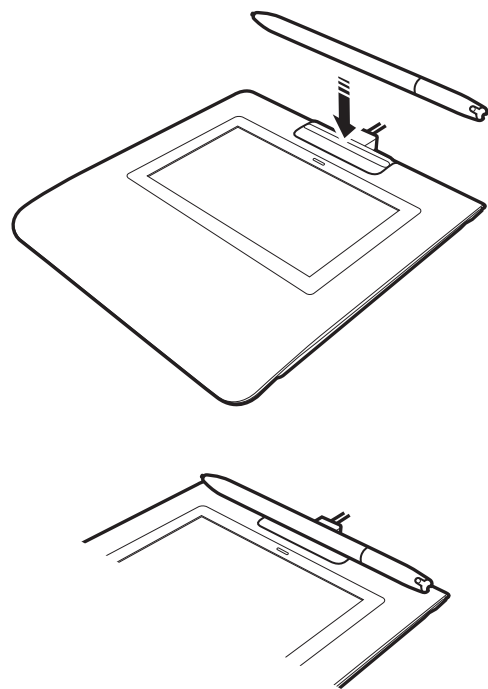


### 狀態指示燈

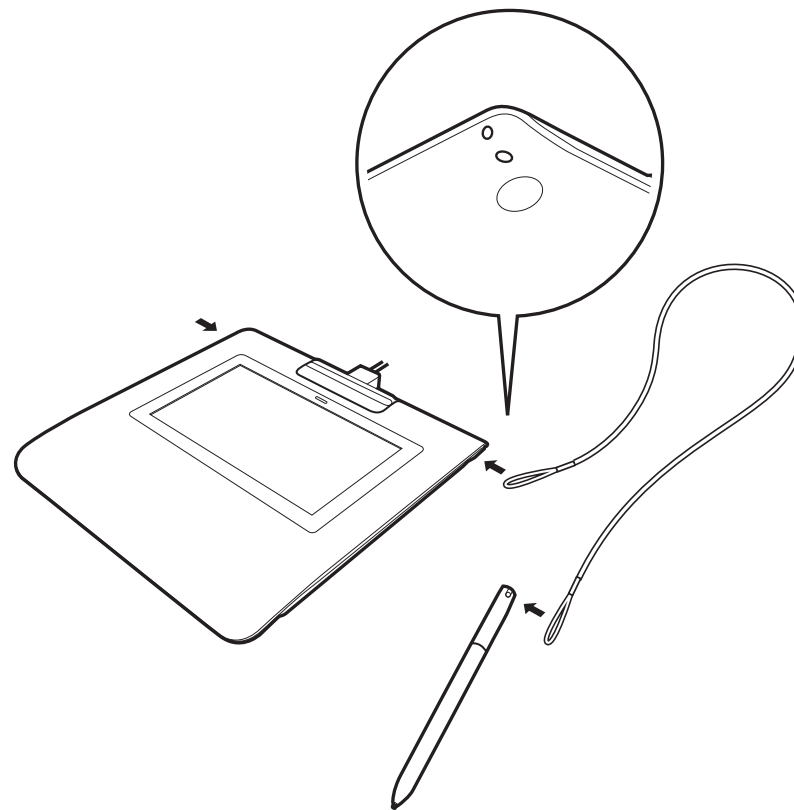
- USB 已連接：燈暗
- USB 已連接、畫筆無接觸：燈暗
- USB 已連接、畫筆有接觸：亮藍燈

TC

## 筆座與筆繩



筆繩連接孔



TC



## 註冊產品

亞太地區

請至：<https://register.wacom.asia/>，點選您所在的地區後選擇註冊選項。

## 技術支援選項

亞太地區

請至：<http://www.wacom.asia/customer-care>。



## 注意事項

請務必依照本手冊的所有指示、注意與警告的提示進行操作。如未依照本手冊，可能會導致您的資料遺失或電腦損壞，也可能使您的保固失效，且在此情況下，Wacom不擔負修復或更換產品的責任。

### 警告

請勿在需要極高可靠性的設施控制系統中使用產品液晶簽名數位板，否則可能會導致其他電子裝置故障，或是其他裝置可能導致液晶簽名數位板故障。請在禁止使用處關閉產品電源，以避免導致其他電子裝置故障。Wacom對於直接或連帶的損壞不擔負任何責任。

產品帶有高壓電。請勿打開或拆解產品液晶簽名數位板機體。打開外殼會有導致觸電的危險，此舉也會使您的保固失效，且 Wacom 不擔負因此修復或更換產品的責任。

若液晶顯示器已損壞，請勿觸碰從中漏出的任何液體，因液體具有刺激性。若接觸到皮膚、眼或口，請立即使用流動的清水沖洗至少 15 分鐘。若接觸到眼或口，亦須儘快就醫。

請防止兒童誤吞感應筆筆頭。兒童啃咬感應筆筆頭時，可能會意外將筆頭拉出。

### 注意

請勿在下列環境中使用或保存液晶簽名數位板：

- 溫度急遽變化或超過規定溫度（例如室外或車內）。
- 使液晶簽名數位板和畫筆受陽光直射、暴露於家電散發的熱能中、沾水或任何其他液體的位置。

請勿在多灰塵的環境中使用液晶簽名數位板，否則可能會導致損壞；請勿拆解感應筆，否則可能會導致本裝置故障。在此情況下，Wacom不擔負修復或更換產品的責任。

請勿刮傷顯示器。避免將尖銳物體置於顯示器表面；避免用力撞擊或震動產品或感應筆。敲打或摔落液晶簽名數位板時，可能會損壞顯示器或其他元件。

請勿將重物放在液晶簽名數位板上或是重壓，否則可能會損壞顯示器；請勿將重物放在產品連接線上、反覆過度彎曲連接線，或是對連接線接頭施加重壓，否則可能損壞機體或連接線。

若感應筆筆頭變得尖銳或有尖角，可能會損壞顯示器的塗層。請視需要更換感應筆筆頭。請勿使用任何有機溶劑（如酒精）或是中性清潔劑清潔顯示器。使用這類清潔劑會損壞顯示器的塗層。

請勿讓產品暴露在有高電壓靜電放電或是液晶顯示器上累積靜電放電的位置，此舉可能會導致液晶顯示器上出現暫時性的雜點。若產生雜點，請將產品顯示器的電源保持開啟，雜點應會在幾小時內完全消失。

## 本產品使用說明

### 更換電磁筆筆尖

如需更換筆尖，請與您的「Wacom簽名解決方案合作夥伴」聯繫。

### 使用注意事項

長時間連續使用液晶面板時，液晶顯示器內部的電極周遭會殘留少量的電荷，因此您可能會看見先前影像的殘像或「假影」（殘影現象）。

Wacom 建議您在螢幕開啟後進入閒置狀態時，使用會動的螢幕保護程式避免出現殘影現象。

### 保養您的液晶簽名數位板

請隨時保持感應筆和液晶簽名數位板顯示器表面的清潔。灰塵與污垢可能會沾黏在感應筆上，因而導致顯示器表面磨損。定期清潔將有助於延長液晶顯示器表面與感應筆的使用壽命。請將數位板和感應筆保存在潔淨、乾燥處，並避免溫度極端變化。室溫是最理想的溫度。產品與感應筆不可拆開使用。拆開使用本產品將會導致保固失效。

### 清潔

如要清潔液晶簽名數位板的外殼或感應筆，請使用柔軟的濕布。您也可以使用沾有經水稀釋之極溫和肥皂水的濕布。請勿使用油漆稀釋劑、石油醚、酒精或其他溶劑來清潔本裝置的外殼或感應筆。

如要清潔顯示器，請使用抗靜電布或微濕的布。清潔時，僅能對顯示器稍微施壓，且不可將表面弄濕。請勿使用清潔劑清潔顯示器，否則可能會損壞顯示器的塗層。請注意，此種損壞不含在製造商的保固範圍內。



## 產品規格

### STU-430

#### 一般規格

型號 / 品牌  
外型尺寸 (寬 x 長 x 高)  
重量  
操作溫度 & 濕度  
存放溫度 & 濕度  
介面連接線  
耗電量

STU-430  
161.43 x 174.37 x 10.85 公釐  
主要部分：約 0.279 公斤  
5 - 40 °C、濕度：30% - 80% RH  
(非凝結狀態)  
-20 - 60 °C、濕度：30% - 90% RH  
(非凝結狀態)  
USB Type A to mini B  
1.0W (最大值)

#### 顯示器

顯示器面板  
螢幕尺寸  
像素  
像素點間距  
LCD 品質

FSTN 正面反射式  
4.5 吋 (95.985 x 59.985 公釐)  
320 x 200  
0.30 (水平) x 0.30 (垂直) 公釐  
每面 LCD 面板皆於嚴格的品質標準下生產。  
生產技術無法保證一面絕對完美的顯示器。  
Wacom 不允許任何像素總是呈現白色或黑色，  
但允許極少數的像素在色譜的一部分呈現錯誤  
顏色。此一現象並不代表該顯示器具有瑕疵。

#### 數位板

讀取技術  
工作區  
數位板解析度  
準確度

電磁感應技術  
95.985 x 59.985 公釐  
2540 lpi 或 0.01 公釐 / 點  
中央區：± 0.5 公釐，邊緣區 1 (從顯示區邊  
緣算起 20 公釐)：± 2.0 公釐，邊緣區 2 (從  
顯示區邊緣算起 3 公釐)：± 4.0 公釐  
5 公釐 或於中央區域則為更高  
200 點 / 秒  
1024 級  
USB

讀取高度  
最高讀取速度  
壓力級別  
介面

## 其他

安全插槽

1

### STU-530

#### 一般規格

型號 / 品牌  
外型尺寸 (寬 x 長 x 高)  
重量  
操作溫度 & 濕度  
存放溫度 & 濕度  
介面連接線  
耗電量

STU-530  
161.43 x 174.37 x 10.85 公釐  
主要部分：約 0.289 公斤  
5 - 40 °C、濕度：30% - 80% RH  
(非凝結狀態)  
-20 - 60 °C、濕度：30% - 90% RH  
(非凝結狀態)  
USB Type A to mini B  
2.5W (最大值)

#### 顯示器

顯示器面板  
螢幕尺寸  
像素  
像素點間距  
LCD 品質

非晶質 -TFT-LCD  
5.0 吋 (108.0 x 64.8 公釐)  
800 x 480, WVGA  
0.135 (水平) x 0.135 (垂直) 公釐  
每面 LCD 面板皆於嚴格的品質標準下生產。  
生產技術無法保證一面絕對完美的 TFT 顯示  
器。Wacom 不允許任何像素總是呈現白色或  
黑色，但允許極少數的像素在色譜的一部分呈  
現錯誤顏色。此一現象並不代表該顯示器具有  
瑕疵。

#### 數位板

讀取技術  
工作區  
數位板解析度  
準確度

電磁感應技術  
108.0 x 64.8 公釐  
2540 lpi 或 0.01 公釐 / 點  
中央區：± 0.5 公釐，邊緣區 1 (從顯示區邊  
緣算起 20 公釐)：± 2.0 公釐，邊緣區 2 (從  
顯示區邊緣算起 3 公釐)：± 4.0 公釐  
5 公釐 或於中央區域則為更高  
200 點 / 秒  
1024 級  
USB

讀取高度  
最高讀取速度  
壓力級別  
介面

TC

## 其他

安全插槽

1

## 電磁筆 UP-610-89A-1

外型尺寸 (長 x 直徑)

140.5 x 9.0 公釐 (5.53 x 0.35 吋)

重量

約 7 克 (0.25 盎司)

筆尖活動範圍

約 0.2 公釐 (0.04 吋)

## 有限保固 (亞太地區)

在您正常使用下以及自購買本產品起算一年期限的服務範圍內，憑原購買收據影印本證明，Wacom公司對本產品在材料與製造方面的瑕疵提供保固。

本軟體係以「現狀」授權提供。Wacom公司對於品質與效能及其他方面不負保固責任。Wacom公司無法保證可永久提供服務或任何錯誤的修正。Wacom公司亦不對軟體和耗材如筆芯、充電電池、塑膠墊板及橡膠筆握等提出任何擔保。

除「軟體」外，於「保固期」內一旦發現產品瑕疵，保固持有人必須與原購買處聯繫，依指示寄回產品進行修理或更換。Wacom公司及其合作夥伴沒有義務支付未經授權之預付運費。

保固持有人沒有義務支付原購買處與修理或更換處之間的運費。在「保固期」內，對於收到Wacom公司告知的瑕疵產品或零件，Wacom公司可以自行選擇修理或是更換，此為Wacom公司對本保固唯一的義務以及全部的損害賠償責任。

若產品的故障起因於包括但不限於火災、自然災害、意外、天災等不可抗力、有意或無意的濫用、誤用、疏忽、未經授權的更改或修理、未依照使用手冊的說明使用產品，或未依照Wacom公司的保存說明處理或保存產品，Wacom公司對該產品的修理或更換不負任何責任。

任何使用於本產品銷售相關的說明、圖案、規格、樣本、型號、公告，或類似的材料，都不能被解釋為本產品將符合或遵照您的需求提供明確保固。

除了上述有限保固外，Wacom公司對於本產品未提供其他保固。任何由Wacom公司、商家、經銷商、代理商或員工以口頭或書面所提出的資訊或通知，均不構成保固或以任何方式增加本保固的適用範圍。本保固提供您特定的法律權利，因不同國家法律規定不同而有所差異。

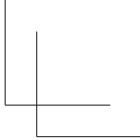
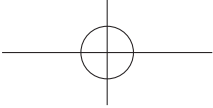
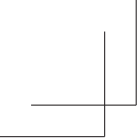
Wacom公司對法律上任何默示保固的期間，包括對可售性或特殊目的適用性的默示保固，僅限於Wacom公司明確保固的時限內。由於某些國家不允許限制默示保固之持續時間長短，以上的限制可能並不適用於您。

Wacom公司或其他參與產品製造、生產或運送的任何人員，對任何因使用所造成之直接、間接或偶發的損害（包括商業利益損失、業務中斷、商業資訊等損害），或是造成此類產品無法使用，不負損害賠償責任，即使Wacom公司已告知這類損害發生的可能性。由於某些國家不允許排除間接發生的損害或限制義務，以上的限制可能並不適用於您。

在上述限制無法執行的情況發生時，無論任何聲明的形式，Wacom公司對造成您或廠商任何損害所負的義務，將不超過您所支付的产品購買金額。

本「有限保固」有效並僅適用於在亞太國家及其地區（不包括日本、中國、TC香港及中東國家）內購買以及使用本產品。

本「有限保固」是Wacom公司亞太區總部之最新保固政策的聲明，優先於產品包裝、摺頁冊、手冊等提供的所有其他保固聲明。



本「有限保固」受日本法律管轄，如有變更恕不另行通知。保固服務 /Wacom 亞太技術支援（日本、中國、香港及中東國家除外）

亞太保固說明及產品登錄詳情可於線上查詢：  
<http://www.wacom.asia/customer-care>

在東南亞、南亞、大洋洲及台灣，如需技術支援或保固服務，請與 Wacom 客服聯絡。

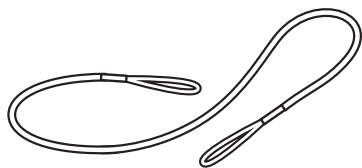
電話號碼可在此查詢：<http://wacom-wapcc.com/inquiry/create> 如您對本「協定」有任何問題，或您有任何原因想與 Wacom 公司聯絡，請至：  
<http://wacom-wapcc.com/inquiry/create>

## 重要信息

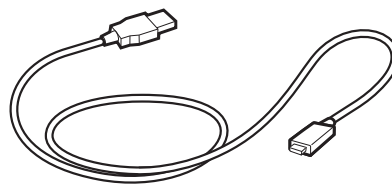
以下条目提供产品的帮助和支持信息。

帮助和支持信息	描述
快速入门指南（本指南）	提供 STU-430 和 STU-530 产品的一般概述，包括连接和使用产品的信息。而且，也包括产品的安全注意事项，产品规格以及其他重要信息。使用前，请仔细阅读该信息。

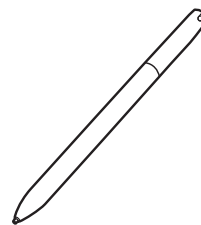
## 随附的配件



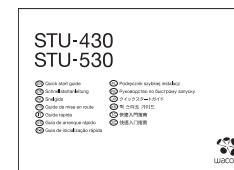
笔绳



USB 连接线 (3 米)



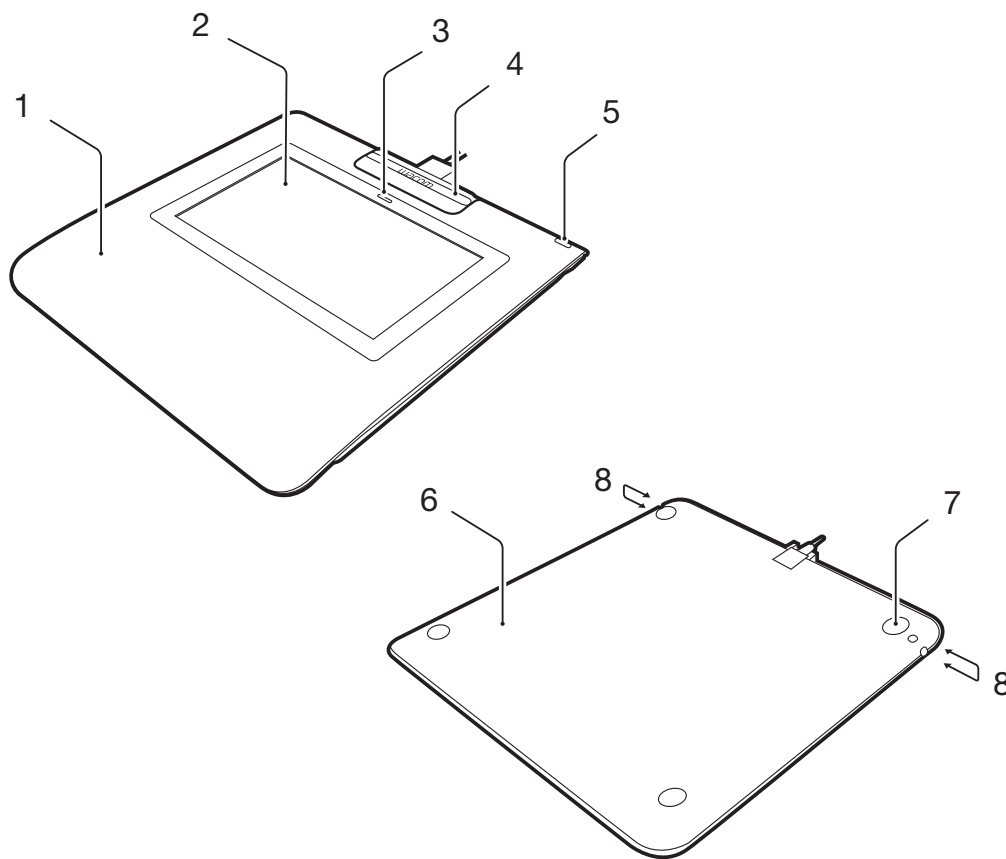
笔



快速入门指南

## 产品了解

1. 正面
2. 书写处
3. 指示灯
4. 笔座
5. 防盗安全锁孔
6. 背面
7. 橡胶脚
8. 笔绳孔



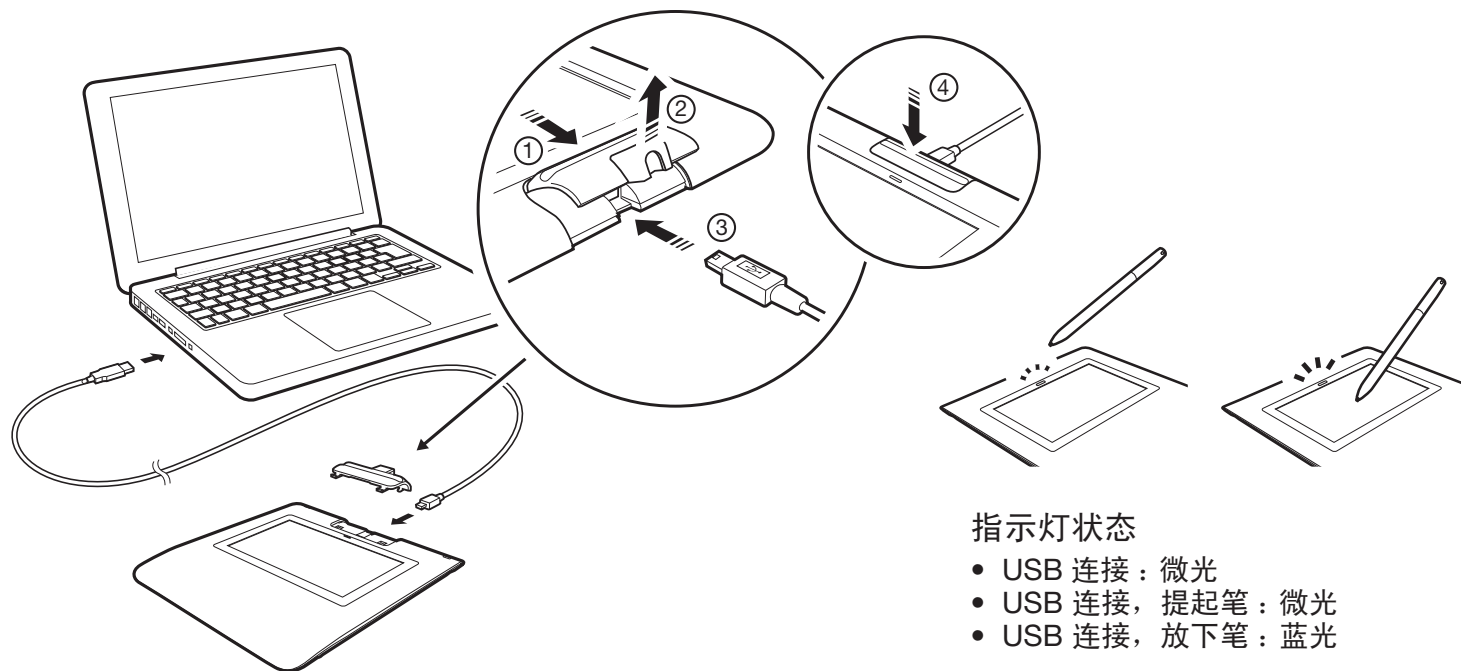
SC

## 将产品连接到电脑

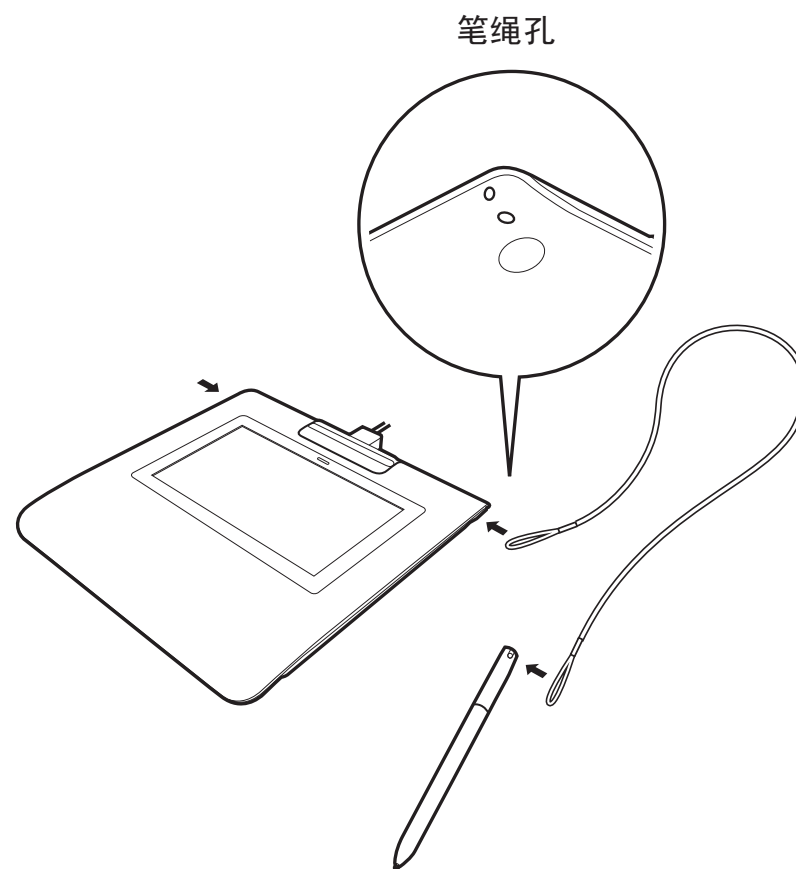
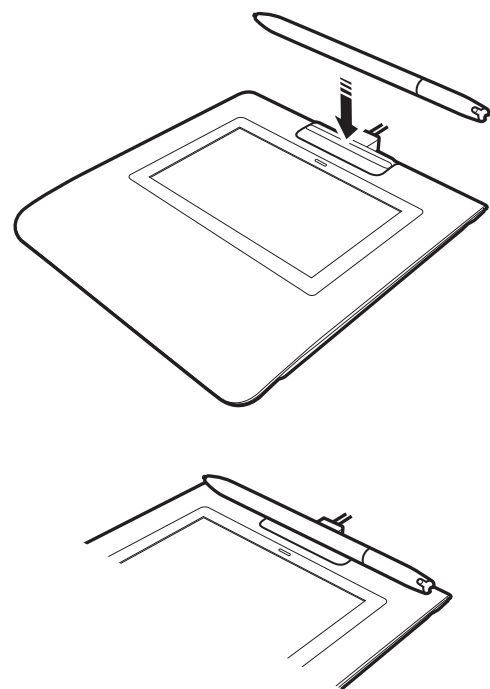
1. 关闭电脑。
2. 把产品的 USB 连接器插入您电脑的 USB 端口。

在把 USB 连接线插入到产品前，必须把产品笔座卸下，以露出接口。

拆卸笔座时，需要把笔座沿着产品顶部滑动，然后再提起笔座。USB 连接线接好后，产品笔座可以安装回原处。（产品笔座是为了保护 USB 连接线而设计的，它可以防止 USB 连接线意外脱离 USB 接口。）



## 笔座和笔绳



SC



## 产品注册

访问 <http://www.wacom.com.cn/register/> 并选择您所在区域，然后选择注册选项。

## 支持选项

访问 <http://www.wacom.com.cn>。

## 注意事项

请务必遵循本指南内的所有说明、注意事项和警告，否则可能会丢失数据或损坏计算机，而且还会使您无法享受保修，因为这种情况下 Wacom 将不承担维修或更换产品的义务。

### 警告

请勿在需要极高稳定性的设备控制系统中使用产品 LCD 签名数位板；否则会导致其他电子设备发生故障，或者其他设备会导致 LCD 签名数位板发生故障。在禁止使用的场所中，请关闭产品的电源，以免导致其他电子设备发生故障的可能性。Wacom 不对直接或间接损失承担任何责任。

高压电！请勿打开或拆卸产品 LCD 签名数位板。打开外壳可能会导致触电。而且，这还会使您无法享受保修，Wacom 将不承担维修或更换产品的义务。

如果液晶显示屏已经损坏，请勿接触任何泄漏液体；这些液体是具有刺激性的。如果这些液体接触到皮肤、眼睛或嘴，请立即用流水冲洗 15 分钟以上。如果接触到眼睛或嘴，还需就医。

请避免让小孩吞下笔尖。小孩嘴咬笔尖时，可能会意外拔下笔尖。

### 注意

请勿在以下环境中使用或储藏 LCD 签名数位板：

- 温度变化剧烈或超出规格范围（如户外或车内）。
- LCD 签名数位板和笔位于阳光直射处或辐射热量的设备旁，或者是会沾到水及其他液体的地方。

请勿在多尘环境中使用 LCD 签名数位板；否则会损坏本设备。

请勿拆卸笔，否则会导致设备发生故障。这种情况下，Wacom 将不承担维修或更换产品的义务。

请勿刮擦显示屏。请勿在显示屏表面上放置尖锐物体。

请勿让产品或笔受到强烈撞击或震动。撞击 LCD 签名数位板或让其摔落会损坏显示屏或其他部件。

请勿在 LCD 签名数位板上放置重物或用力压数位板；否则会损坏显示屏。

请勿在产品连接线上放置重物、反复用力弯折连接线或对连接线接头施加重力；否则会损坏设备或连接线。

如果笔尖变锐或出现尖角，可能会损坏显示屏上的覆膜。需要时请更换笔尖。

请勿使用任何有机溶剂（如酒精）清洁显示屏，即使温和清洁剂也不可。使用这些清洁剂会损坏显示屏覆膜。

请勿让产品产生高压静电放电，或使其液晶显示屏上积聚静电，否则会使液晶

显示屏上暂时出现黑斑。如果出现黑斑，请一直打开产品显示屏，黑斑即会在数小时内消失。

## 使用本产品的注意事项

### 更换笔尖

关于更换笔尖的问题，请联系您的 Wacom 签名解决方案合作伙伴。

### 使用须知

在长时间连续操作 LCD 面板时，LCD 内部电极附近会留下微量电荷，因此可能会观察到原来图像的残留影像或镜像。（图像残留现象）

为了避免出现图像残留现象，Wacom 推荐在屏幕开启后进入空闲状态时，使用活动的屏幕保护程序。

### LCD 签名数位板的保养

请保持笔和 LCD 签名数位板液晶显示屏表面的清洁。灰尘和脏物会沾到笔上，从而磨损显示屏表面。定期清洁可以延长液晶显示屏表面和笔的使用寿命。请将数位板和笔放在清洁、干燥的地方，并避免温度过高或过低。最佳温度为室温。产品和笔设计用于搭配使用。将产品分开使用，将无法享受保修。

### 清洁

若要清洁 LCD 签名数位板外壳或笔，请使用沾湿的软布；也可以用水稀释超温和清洁剂，然后沾湿擦布。请勿使用油漆稀释剂、汽油、酒精或其他溶剂擦拭设备外壳或笔。

清洁显示屏时，请使用防静电或微湿的擦布。清洁时，请仅对显示屏施加少许压力，并切勿擦湿其表面。清洁显示屏时，请勿使用清洁剂；否则会损坏显示屏覆膜。请注意，如果因为这些原因造成损坏，厂商将不负责保修。

## 产品规格

### STU-430

#### 一般规格

型号 / 品牌  
外型尺寸 (宽 x 深 x 高)  
重量  
工作温度 & 湿度  
储存温度 & 湿度  
接口连接线  
功耗

STU-430  
161.43 x 174.37 x 10.85 mm  
主体重: 大约 0.279 Kg  
5°C—40°C, 湿度: 30%—80% 相对湿度  
(不凝结)  
-20°C—60°C, 湿度: 30%—90% 相对湿度  
(不凝结)  
USB 类型 A、mini B  
最大 1.0W

#### 数位屏

显示面板  
屏幕尺寸  
数  
像素点距  
LCD 质量

FSTN 正面反射式  
4.5 inch  
320 x 200  
0.30 (水平) x 0.30 (垂直) mm  
每一个 LCD 面板都是严格地保证生产质量。  
虽然生产工艺并不能保证绝对完美的显示屏,  
但是 Wacom 不允许任何像素一直是白色或者  
黑色。对于有色光谱造成像素方面的部分色  
差, 不能说明显示屏有缺陷。

#### 数位板

读取技术  
活动区域  
分辨率  
精度  
读取高度  
最高保高速率  
压力级别  
通讯接口

电磁响应技术  
95.985 x 59.985 mm  
2540 lpi 或 0.01 mm/pt  
± 0.5 mm (中心), 边缘区域 1 (自显示区  
域边缘 20 mm 宽度) ± 2.0 mm; 边缘区域  
2 (自显示区域边缘 3 mm 宽度) ± 4.0 mm  
5 mm 或更多 (中心)  
200 点 / 秒  
1024 级  
USB

## 其他

防盗安全锁孔

1

### STU-530

#### 一般规格

型号 / 品牌  
外型尺寸 (宽 x 深 x 高)  
重量  
工作温度 & 湿度  
储存温度 & 湿度  
接口连接线  
功耗

STU-530  
161.43 x 174.37 x 10.85 mm  
主体重: 大约 0.289 Kg  
5°C—40°C, 湿度: 30%—80% 相对湿度  
(不凝结)  
-20°C—60°C, 湿度: 30%—90% 相对湿度  
(不凝结)  
USB 类型 A、mini B  
最大 2.5W

#### 数位屏

显示面板  
屏幕尺寸  
像素数  
像素点距  
LCD 质量

非晶质 -TFT-LCD  
5.0 英寸 (108.0 x 64.8 mm)  
800 x 480, WVGA  
0.135 (水平) x 0.135 (垂直) mm  
每一个 LCD 面板都是严格地保证生产质量。  
虽然生产工艺并不能保证绝对完美的 TFT 显示  
屏, 但是 Wacom 不允许任何像素一直是白色  
或者黑色。对于有色光谱造成像素方面的部分  
色差, 不能说明显示屏有缺陷。

#### 数位板

读取技术  
活动区域  
分辨率  
精度  
读取高度  
最高保高速率  
压力级别  
通讯接口

电磁响应技术  
108.0 x 64.8 mm  
2540 lpi 或 0.01 mm/pt  
± 0.5 mm (中心), 边缘区域 1 (自显示区  
域边缘 20 mm 宽度) ± 2.0 mm; 边缘区域  
2 (自显示区域边缘 3 mm 宽度) ± 4.0 mm  
5 mm 或更多 (中心)  
200 点 / 秒  
1024 级  
USB

SC

## 其他

防盗安全锁孔

1

## 笔 UP-610-89A-1

物理尺寸 (长 x 粗)

140.5 \* 9.0 mm(5.53 \* 0.35 in)

重量

大约 7g (0.25 oz)

笔尖活动范围

大约 0.2 mm (0.04 in)


笔绳孔

有

## 废弃物处置和回收方法

China RoHS

产品中有毒有害物质或元素的名称及含量

部位名称	 有毒有害物质或元素					
	铅 (Pb)	汞 (Hg)	镉 (Cd)	六价铬 (Cr (VI))	多溴联苯 (PBB)	多溴二苯醚 (PBDE)
PCBA	X	O	O	O	O	O
Case	O	O	O	O	O	O
Metal Parts	X	O	O	O	O	O
Cable	O	O	O	O	O	O
Protection Plate	O	O	O	O	O	O
光盘	O	O	O	O	O	O
说明书	O	O	O	O	O	O
Pen	X	O	O	O	O	O
Pen Stand	X	O	O	O	O	O

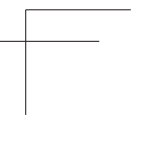
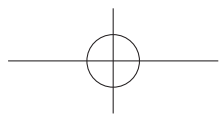
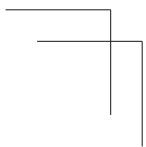
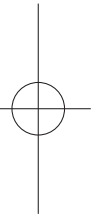
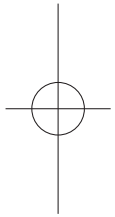
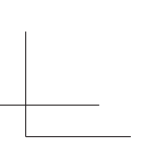
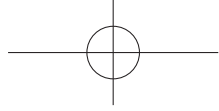
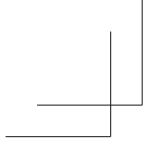
O: 表示该有毒有害物质在该部件所有均质材料中的含量均在 SJ/T 11363-2006 标准规定的限量要求以下。  
X: 表示该有毒有害物质至少在该部件的某一均质材料中的含量超出 SJ/T 11363-2006 标准规定的限量要求。

Applicable in China and Hong Kong only.

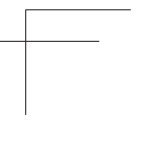
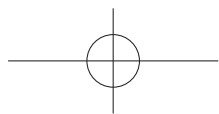
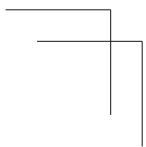
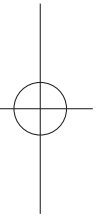
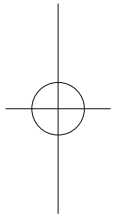
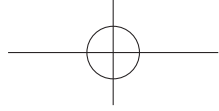
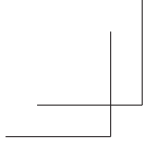
중국 및 홍콩에만 적용됩니다.

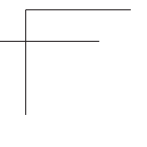
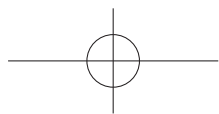
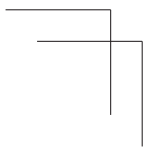
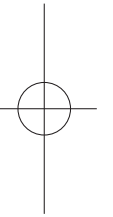
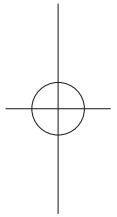
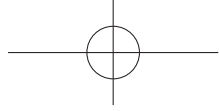
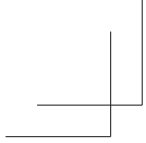
僅適用於中國與香港地區

仅使用于中国大陆与香港地区



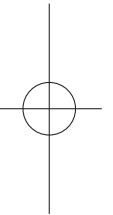
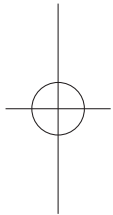
SC







wacom®



© 2013 Wacom Co., Ltd. All rights reserved. Wacom and the logo are trademarks and/or registered trademarks of Wacom Co., Ltd. All other company or product names are trademarks and/or registered trademarks of the respective company.

Printed in China UM-0558(A)

