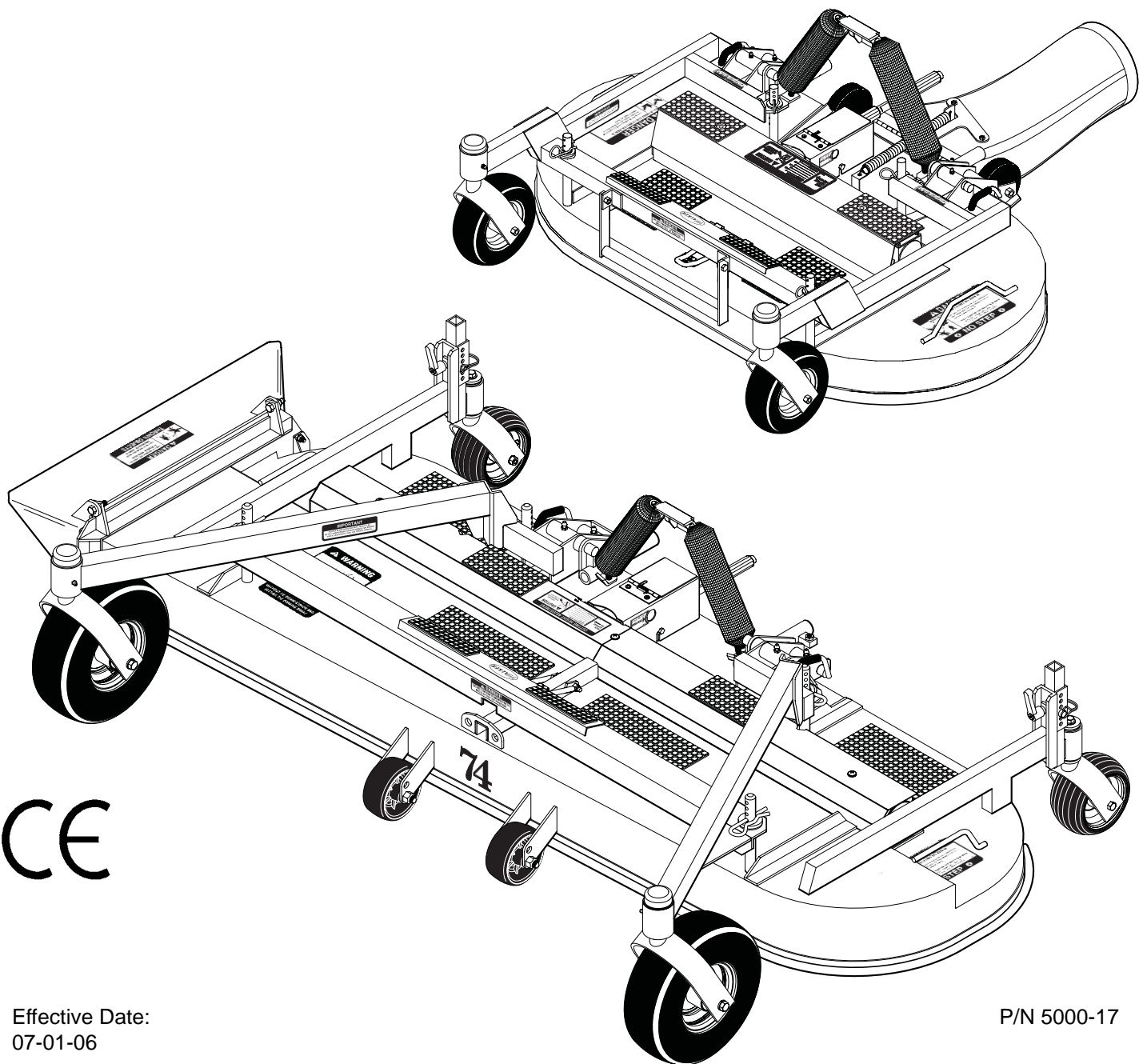


Walker Rider Lawnmowers

ILLUSTRATED PARTS MANUAL

Deck and Carrier Frame Assemblies (36", 42", 48", 52", 56", 62" & 74")



CE

Effective Date:
07-01-06

P/N 5000-17

KEY TO ABBREVIATIONS USED IN THIS MANUAL

<i>Abbreviation</i>	<i>What it Represents</i>
° (Dimension)	Degrees (Angle)
" (Dimension)	inches
(-)	Negative (Polarity)
(+)	Positive (Polarity)
AT	All-Terrain
CCW	Counter-clockwise
Conn.	Connector
CW	Clockwise
D	Diameter
DGHS	Deck, Grass Handling System (number refers to size in inches)
DML	Deck, Mulching (number refers to size in inches)
DSD	Deck, Side Discharge (number refers to size in inches)
DU	Garlock (Bearing)
ESNA (Fastener)	Nylon Insert Locknut
FSC	Forward Speed Control
GA	Gauge
gal.	gallon
GHS	Grass Handling System
GR (Fastener)	Grade
HP	Horse Power
HT	Heat-Treated
ID	Identification or Inside Diameter
L	Length
LH	Left Hand (orientated with operator on seat)
LP	Low Profile
mm (Dimension)	millimeters
MS (Fastener)	Machine Screw
NS (as part number)	Item is not sold by Walker Manufacturing
OD	Outside Diameter
oz.	ounce
PFH (Fastener)	Phillips Flat Head
P/N	Part Number
PPH (Fastener)	Phillips Pan Head
PTH (Fastener)	Phillips Truss Head
PTO	Power Take-Off
QKS	Quick Slide
qt.	quart
RH	Right Hand (orientated with operator on seat)
SAE (Fastener)	Society of Automotive Engineers
SBH (Fastener)	Socket Button Head (Bolt)
SD	Side Discharge
SFH (Fastener)	Slotted Flat Head
SHC (Fastener)	Socket Head Cap
SHL (Fastener)	Shoulder (Bolt)
SM (Fastener)	Sheet Metal (Screw)
S/N	Serial Number
Spg.	Spring
SQH (Fastener)	Square Head
SS (Fastener)	Stainless Steel
ST (Fastener)	Self-Tapping (Screw)
Term.	Terminal
V	Volts

NOTE: In some instances, combinations of abbreviations may be used (e.g. PPHMS - Phillips Pan Head Machine Screw).

Use only genuine Walker® replacement parts.

Effective Date 07-01-06

ILLUSTRATED PARTS LIST

<i>Section of Mower Covered</i>	<i>Page</i>	<i>Section of Mower Covered</i>	<i>Page</i>
<hr/>		<hr/>	
Decals & Paint		Maintenance	
Deck Decals / Touch-Up Paint	2	Optional Break-Away Blades	42
Deck and Carrier Frame Assemblies		Blade Usage Chart	43
36 Inch Complete Carrier Frame Assembly	4	Deck Weldment Replacement Parts	44
DGHS36 Deck Assembly	6	Deck Height Adjuster Kit	46
DSD36 Deck Assembly	8	Lubrication Points	48
42 Inch Complete Carrier Frame Assembly	10	Fastener Loctite® Application & Torque Instructions	50
DGHS42 Deck Assembly	12	Maintenance And Service Record Sheet	52
DSD42 Deck Assembly	14	Deck / Tractor Compatibility Chart	52
DML42A Deck Assembly	16	Warranty	
48 Inch Complete Carrier Frame Assembly	18	Limited Warranty	53
DGHS48 Deck Assembly	20		
DSD48 Deck Assembly	22		
52 Inch Complete Carrier Frame Assembly	24		
DSD52 Deck Assembly	26		
Mulching Kit (For DSD52 Deck Assembly)	28		
56 Inch Complete Carrier Frame Assembly	30		
DSD56 Deck Assembly	32		
62 Inch Complete Carrier Frame Assembly	34		
DSD62 Deck Assembly	36		
74 Inch Complete Carrier Frame Assembly	38		
DSD74 Deck Assembly	40		

DECK DECALS / TOUCH-UP PAINT

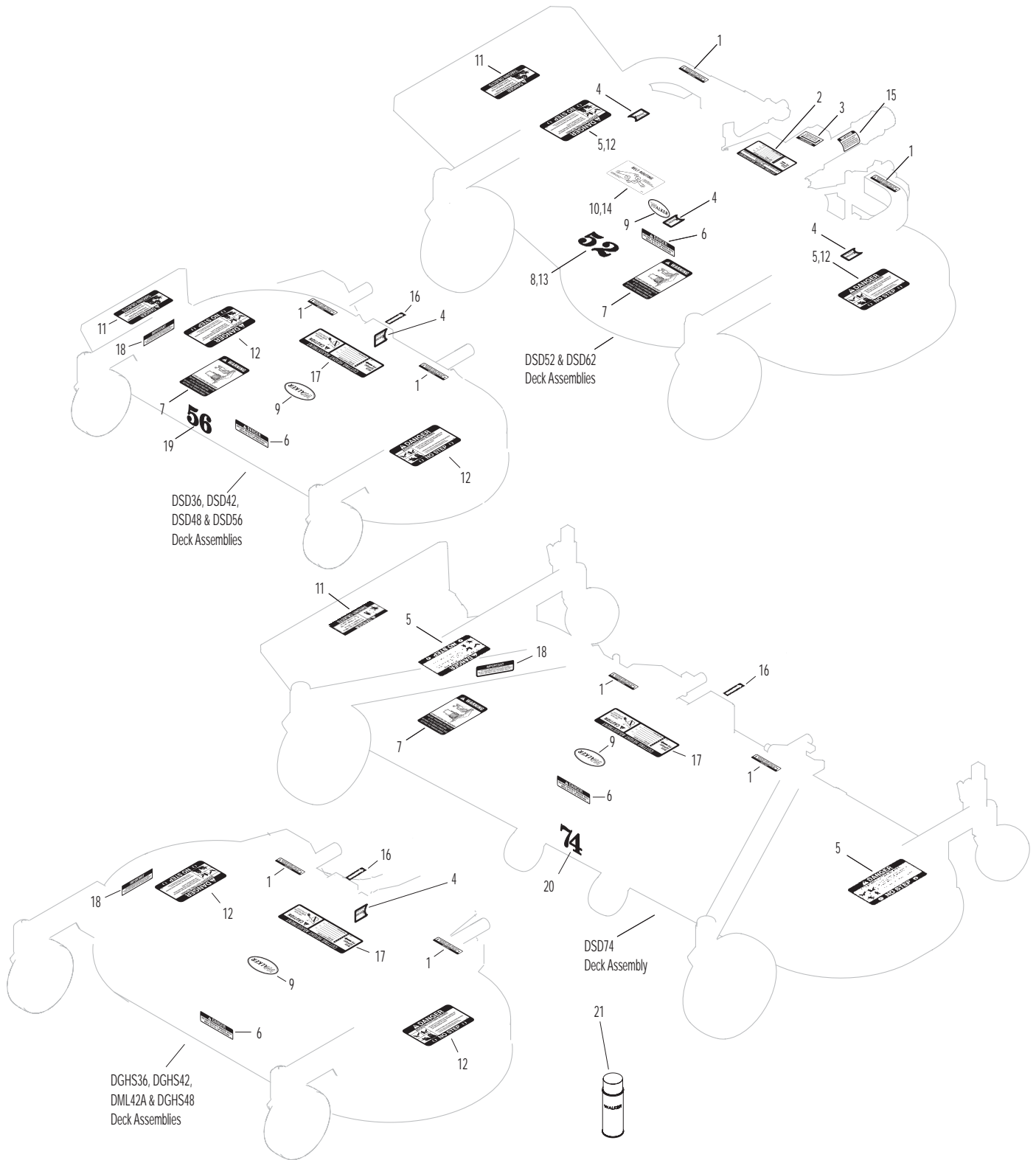
ITEM NO.	PART NO.	DESCRIPTION	LOCATION	NO. REQ'D. GHS	NO. REQ'D SD
DSD52 And DSD62 Deck Decals					
1	8653	Caution, Pivot Joint	Carrier Frame	0	2
2	8748	Cutting Height Adjustment	Footrest Pulley Guard	0	1
3	8746	Universal Joint Lube	Mount Bracket/PTO Guard	0	1
4	5846	Grease Fitting	Deck Cover Plate	0	3
5	5808-1	Danger, Rotating Blades	Cover Plate (one on each end)	0	2
6	8647	Danger, Tilt-Up	Carrier Frame	0	1
7	8653-1	Transport Warning	Deck Housing, Front	0	1
8	8732	Decal (52")	Deck Housing, Front	0	1
9	5809	Walker Mower Logo (3")	Carrier Frame, Front	0	1
10	8734	Drive Belt Routing	Underneath Deck Cover Plate	0	1
11	5848	Danger, Side Discharge Shield	Side Discharge Shield	0	1
12	5808	Danger, Rotating Blades (62" Deck)	Deck Housing (one on each end)	0	2
13	8750	Decal (62")	Deck Housing, Front	0	1
14	8749	Drive Belt Routing	Underneath Deck Cover Plate	0	1
15	8746-1	Decal, Tele PTO Shaft	U-Joint Shaft Assembly	0	1
36", 42", 48" & 56" Deck Decals					
1	8653	Caution, Pivot Joint	Carrier Frame	2	2
4	5846	Grease Fitting	Deck Cover Plate	1	1
6	8647	Danger, Tilt-Up	Carrier Frame	1	1
7	8653-1	Transport Warning	Deck Housing, Front	0	1
9	5809	Walker Mower Logo (3")	Carrier Frame, Front	1	1
11	5848	Danger, Side Discharge Shield	Side Discharge Shield	0	1
12	5808	Danger, Rotating Blades	Deck Housing (one on each end)	2	2
16	6875	PTO Alignment Arrow	Universal Joint Shaft Assembly	1	1
17	5807-3	Cutting Height Adjustment	Gearbox Cover	1	1
18	5865	Blade Mounting Torque	Carrier Frame	1	1
19	6789	Decal (56")	Deck Housing, Front	0	1
DSD74 Deck Decals					
1	8653	Caution, Pivot Joint	Carrier Frame	0	2
5	5808-1	Danger, Rotating Blades	Deck Housing (one on each end)	0	2
6	8647	Danger, Tilt-Up	Carrier Frame	0	1
7	8653-1	Transport Warning	Deck Housing, Front	0	1
9	5809	Walker Mower Logo (3")	Carrier Frame, Front	0	1
11	5848	Danger, Side Discharge Shield	Side Discharge Shield	0	1
16	6875	PTO Alignment Arrow	Universal Joint Shaft Assembly	0	1
17	5807-3	Cutting Height Adjustment	Middle Gearbox Cover	0	1
18	5865	Blade Mounting Torque	Carrier Frame	0	1
20	7689	Decal (74")	Deck Housing, Front	0	1
Touch-Up Paint					
21	5866	Touch-Up Paint, Yellow (12 oz. Aerosol)			

NOTE: All parts requiring decals are shipped with decals applied.

Use only genuine **Walker**[®] replacement parts.

Effective Date 07-01-06

DECK DECALS / TOUCH-UP PAINT



36 INCH COMPLETE CARRIER FRAME ASSEMBLY (P/N 5710-4)

ITEM NO.	PART NO.	DESCRIPTION	NO. REQ'D
----------	----------	-------------	-----------

Spring and Pivot Mount Components

1	5975-3	Cable Tie (50# x 7")	4
2	5744-1	Spring Clip Bracket	1
3	5743-1	Spring Cover	2
4	8667-10	Pivot Mount, LH/Adj.	1
5	5830-3	Grease Fitting (45 Degree)	4
6	8667-20	Pivot Mount, RH/Adj.	1
7	5743-4	Eyebolt (3/8-16 x 2-3/4)	2
8	5743-6	Extension Spring (1-1/2 7-3/4) (Includes Items # 1, F117 & F166)	2

Carrier Frame Components

9	8674-11	Lever, Deck Lock, LH	1
10	7406-1	Handle Grip (Red)	2
11	8669	Lift Handle	1
12	5748-10	Rubber Mat (1-1/2 x 6)	2
13	5740-2	Deck Pin Bushing (5/8)	4
14	5708-6	36" Carrier Frame (Less Pivots) (Includes Item # 12)	1
	5708-1	36" Carrier Frame w/Forks (Less Pivots) (Includes Items # 12, 21-23, 25, F055, F068 & F098)	*
15	8674-10	Lever, Deck Lock, RH	1
16	5830	Grease Fitting	6

Caster Wheel Components

17	5714-7	Bearing Cap	4
18	5714-5	Bearing, Caster Wheel	2
19	5715-4	Caster Wheel, Pneumatic (8 x 3.00-4) (Includes Items # 5, 17 & 18)	2
	5715-10	Tire, Pneumatic (8 x 3.00-4)	*
	5715-9	Tire Tube, Pneumatic (2.80/2.50-4)	*
	5715-3	Caster Wheel & Tire (8 x 3.00-4)	**
	5715-11	Tire, Caster Wheel/No-Flat (8 x 3.00-4)	**
20	5714-3	Axle Spacer Tube	2
21	5770-1	Caster Wheel Fork	2
22	8768-1	Seal (1-3/4 x 1-1/8)	2
23	8037	Bearing, Cone (3/4 ID)	4
24	8769-1	Bearing Cup (1-3/4 x 1-7/16)	4
25	8769-9	Dust Cap	2

ITEM NO.	PART NO.	DESCRIPTION	NO. REQ'D
----------	----------	-------------	-----------

Fasteners

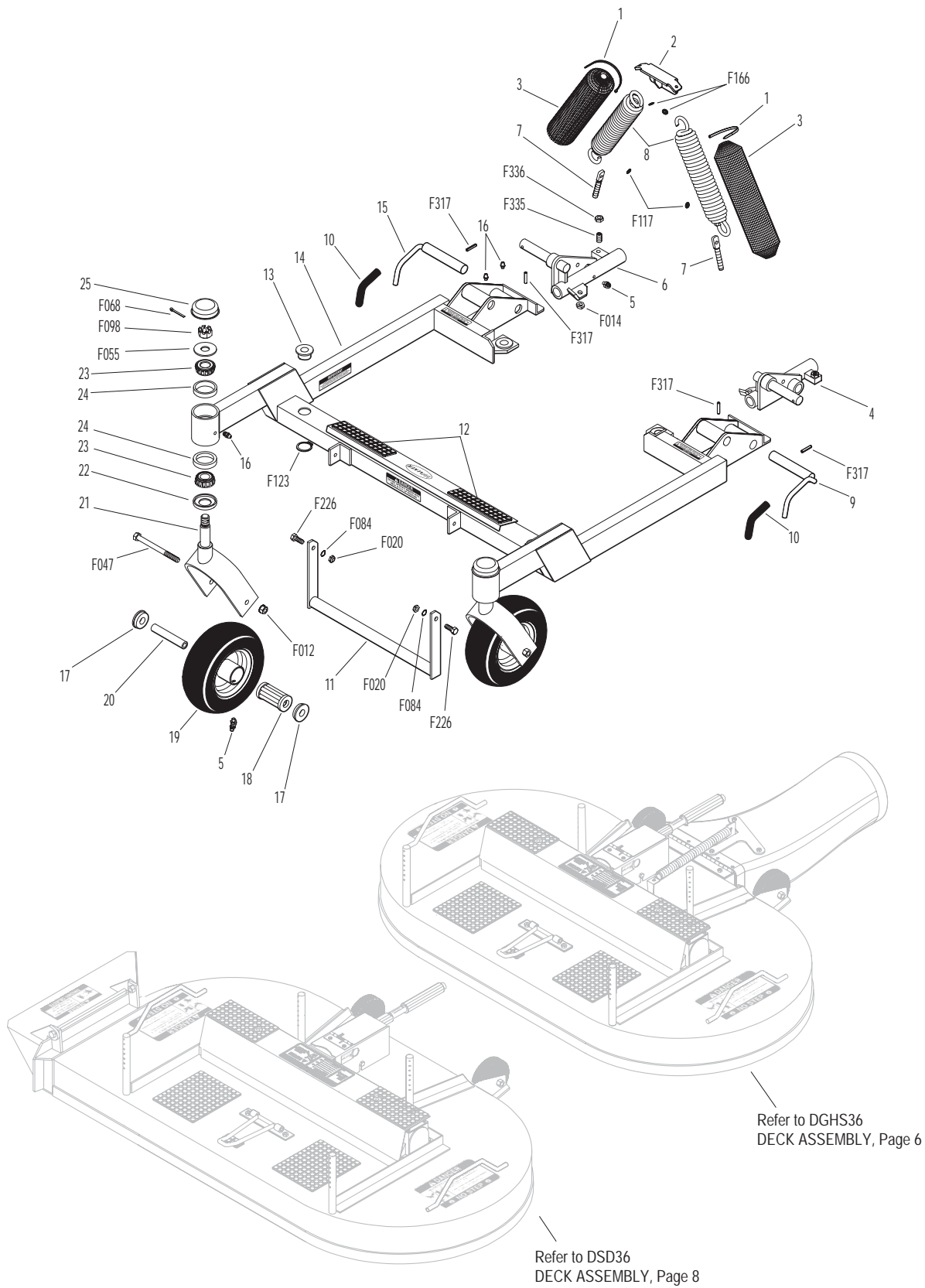
F012	3/8-16 Keps Nut	2
F014	3/8-16 ESNA Nut	2
F020	5/16-18 ESNA Nut	2
F047	3/8-16 x 4-1/2 Hex Bolt	2
F055	5/8 SAE Washer	2
F068	1/8 x 1 Cotter Pin	2
F084	5/16 Wave Spring Washer	2
F098	5/8-18 Slotted Hex Nut	2
F117	Retainer Ring	2
F123	1" External Snap Ring	4
F166	Retainer Ring	2
F226	5/16-18 x 7/8 Hex Bolt	2
F317	3/16 x 1 Split Spring Pin	4
F335	3/8-16 x 7/8 Set Screw, SS	2
F336	3/8-16 Jam Nut	2

* Service Part Only

** May be ordered as a factory-installed option or as a kit for dealer installation. Contact your Walker dealer.

NOTE: When installing Item # 8 on decks prior to S/N DX-62875, the swivel hook end should be attached to the deck carrier frame.

36 INCH COMPLETE CARRIER FRAME ASSEMBLY (P/N 5710-4)



Effective Date 07-01-06

Use only genuine Walker® replacement parts.

DGHS36 DECK ASSEMBLY (P/N 5710-15)

INCL. OPTIONAL HEAVY DUTY GEARBOXES

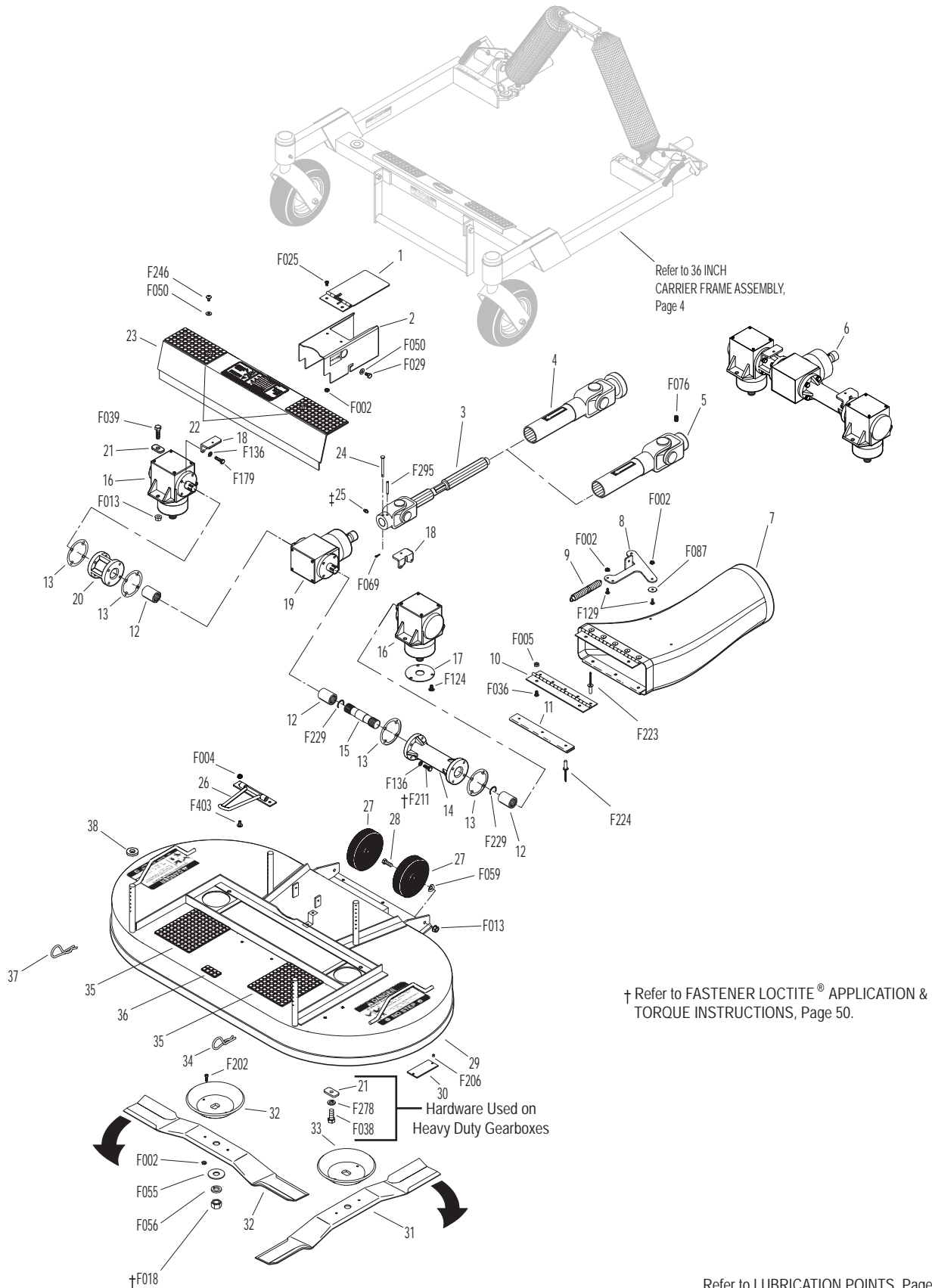
ITEM NO.	PART NO.	DESCRIPTION	NO. REQ'D	ITEM NO.	PART NO.	DESCRIPTION	NO. REQ'D
Gearbox and Drive Components				32	5705-2	Blade, 20" (LH Rotation)	1
1	8618-1	Cover, PTO Shaft Guard	1		5705-6	36 GHS Blade Set W/Hubs (Includes Items # 31-33, F002 & F202)	*
2	8619-2	PTO Shaft Guard	1				
	8618-3	PTO Shaft Guard Assembly (Includes Items # 1, 2, F002 & F025)	*	33	5706	Blade Hub & Trash Guard	2
3	5285-15	U-Joint Shaft Assy, 90 Degree, Spline (Includes Items # 24, F069 & F295)	1	34	7775-1	Hitch Pin, LH (Silver) #6	2
4	7275-16	U-Joint Tube Assy, Spline	1	35	8735-10	Rubber Mat (5 x 6)	2
5	5275-15	U-Joint Tube Assy (9.5" OAL), Spline (Includes Item # F076)	1	36	8788-1	Rubber Mat (1 x 2)	1
6	5704-40	Gearbox and Tube Assembly (Includes Items # 12-19, F124, F136, F179, F211 & F226)	1	37	7775-2	Hitch Pin, RH (Gold) #6	2
	5704-45	Heavy Duty Gearbox and Tube Assembly ** (Includes Items # 12-16, 18-20, F136, F179, F211 & F226)	**	38	5727-1	Washer Shim (5/8 ID)	4
7	5794	Discharge Chute (6-1/2 Diameter) (Includes Items # 10, 11, F223 & F224)	1	Fasteners			
	5794-1	Discharge Chute Assembly with Spring Mount (Includes Items # 6, 7, 10, 11, F223 & F224)	*		F002	10-24 Keps Nut	9
8	8678	Spring Mount, Chute	1		F004	1/4-20 Keps Nut	2
9	8677	Extension Spring (1 x 6-1/16)	1		F005	1/4-20 ESNA Nut	2
10	5726	Chute Hinge (2 x 8)	1		F013	3/8-16 Whiz Locknut	6
11	5755	Chute Lower Lip	1		F018	5/8-18 Hex Nut	2
12	6054	Spline Coupling	3		F025	10-24 x 3/8 PPHMS	2
13	P007	Gasket, Cap (Peerless #788030)	4		F029	1/4-20 x 1/2 Hex Bolt	2
14	5061	Gearbox Connector Tube (6-11/16)	1		F036	1/4-20 x 1/2 SBH Screw	2
15	6732-2	Connecting Shaft (4-1/8)	1		F038	3/8-16 x 1 Hex Bolt	4***
16	5052-1	Gearbox (LH Rotation)	2		F039	3/8-16 x 1-1/4 Hex Bolt	4
	5052-5	Heavy Duty Gearbox (LH Rotation)	**		F050	1/4 SAE Washer	4
17	5706-4	Seal Protector Plate	3		F055	5/8 SAE Washer	2
18	5704-1	Gearbox Cover Support	2		F056	5/8 Split Lock Washer	2
19	5051-16	Tee Gearbox, Shear	1		F059	3/8 Wave Spring Washer	2
	5051-6	Heavy Duty Tee Gearbox, Shear	**		F069	3/32 x 1/2 Cotter Pin	1
20	5060	Gearbox Connector Tube (2-5/16)	1		F076	3/8-16 x 5/8 SQH Set Screw	*
21	5052-3	1.375 x .750 x .187 Washer	4		F087	#10 x 7/8 Fender Washer	2
22	5747-11	Rubber Mat (3 x 6)	2		F124	10-32 x 3/8 Taptite Machine Screw	9
23	5746-4	36" Gearbox Cover (Includes Item # 22)	1		F129	10-24 x 1/2 PTHMS	3
24	8067-13	Shear Pin w/Cotter (Set of 5) (Includes Item # F069)	*		F136	AN960C416L Washer	16
25	5830	Grease Fitting	1		F179	1/4-20 x 1 Hex Bolt	4
Deck Housing Components					F202	10-24 x 5/8 SHC Screw, GR5 SS	4
26	8670	Tilt-Up Hook	1		F206	#2 x 3/16 Drive Pin	2
27	5162-11	Roller Wheel (5" Poly) (Includes Item # F059)	2		F211	1/4-20 x 7/8 Hex Bolt	16
28	8490	Roller Wheel Axle Bolt	2		F223	3/16 x 5/16 Semi-Tube Rivet	*
29	5710-16	36 GHS Deck Housing (Includes Items # 35 & 36)	1		F224	3/16 x 7/16 Semi-Tube Rivet	*
30	NS	Deck Serial Number Plate	1		F229	C-Clip (13/16)	2
31	5705-0	Blade, 20" (RH Rotation)	1		F246	1/4-20 x 1/2 PTHMS	2
					F278	3/8 Split Lock Washer	4***
					F295	3/16 x 1-1/2 Split Spring Pin	1
					F403	1/4-20 x 1/2 PTHMS SS	2
				*	Service Part Only		
				**	Item(s) used on the Heavy Duty version of standard gearboxes. The Heavy Duty cast iron gearboxes are interchangeable with Standard aluminum gearboxes.		
				***	Used on Heavy Duty gearbox configuration.		
				NOTE: Order Item # 4 to use the splined deck PTO shaft with Model MT, MD and MC.			
				NOTE: Order Item # 5 to use the splined deck PTO shaft with Model MS and MB.			

Use only genuine Walker® replacement parts.

Effective Date 07-01-06

DGHS36 DECK ASSEMBLY (P/N 5710-15)

INCL. OPTIONAL HEAVY DUTY GEARBOXES



DSD36 DECK ASSEMBLY (P/N 5710-17)

INCL. OPTIONAL HEAVY DUTY GEARBOXES

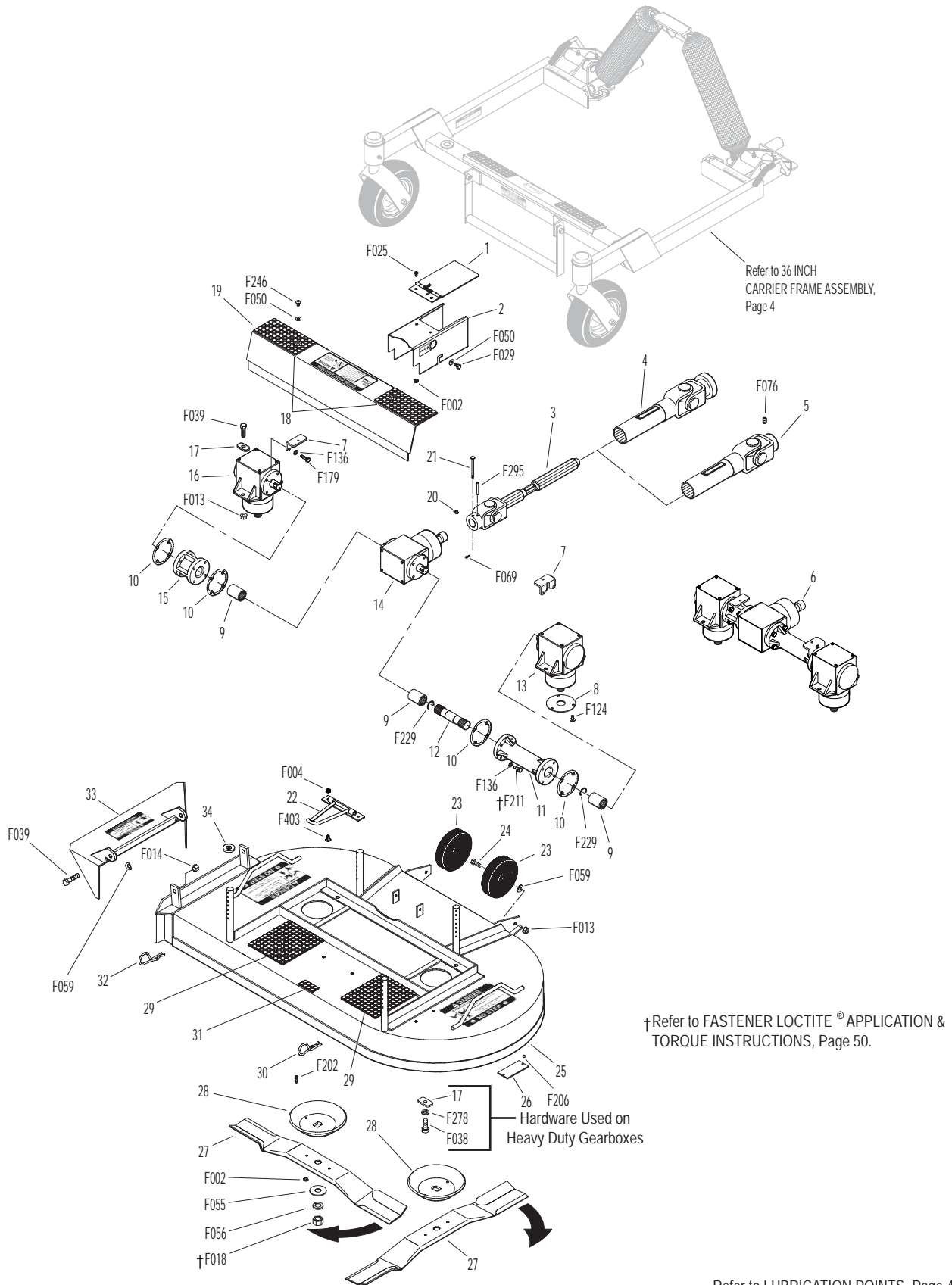
ITEM NO.	PART NO.	DESCRIPTION	NO. REQ'D	ITEM NO.	PART NO.	DESCRIPTION	NO. REQ'D
Gearbox and Drive Components				28	5706	Blade Hub & Trash Guard	2
				29	8735-10	Rubber Mat (5 x 6)	2
1	8618-1	Cover, PTO Shaft Guard	1	30	7775-1	Hitch Pin, LH (Silver) #6	2
2	8619-2	PTO Shaft Guard	1	31	8788-1	Rubber Mat (1 x 2)	1
	8618-3	PTO Shaft Guard Assembly (Includes Items # 1, 2, F002 & F025)	*	32	7775-2	Hitch Pin, RH (Gold) #6	2
3	5285-15	U-Joint Shaft Assy, 90 Degree, Spline (Includes Items # 21, F069 & F295)	1	33	5709-2	36/42 SD Discharge Shield	1
4	7275-16	U-Joint Tube Assy, Spline	1	34	5727-1	Washer Shim (5/8 ID)	4
5	5275-15	U-Joint Tube Assy (9.5" OAL), Spline (Includes Item # F076)	1	Fasteners			
6	5704-43	Gearbox and Tube Assembly (Includes Items # 7-16, F124, F136, F179 & F211)	1	F002	10-24 Keps Nut		6
	5704-46	Heavy Duty Gearbox and Tube Assembly ** (Includes Items # 7, 9-16, F136, F179 & F211)	**	F004	1/4-20 Keps Nut		2
7	5704-1	Gearbox Cover Support	2	F013	3/8-16 Whiz Locknut		6
8	5706-4	Seal Protector Plate	3	F014	3/8-16 ESNA Nut		2
9	6054	Spline Coupling	3	F018	5/8-18 Hex Nut		2
10	P007	Gasket, Cap (Peerless #788030)	4	F025	10-24 x 3/8 PPHMS		2
11	5061	Gearbox Connector Tube (6-11/16)	1	F029	1/4-20 x 1/2 Hex Bolt		2
12	6732-2	Connecting Shaft (4-1/8)	1	F038	3/8-16 x 1 Hex Bolt		4***
13	5052-1	Gearbox (LH Rotation)	1	F039	3/8-16 x 1-1/4 Hex Bolt		6
	5052-5	Heavy Duty Gearbox (LH Rotation)	**	F050	1/4 SAE Washer		4
14	5051-16	Tee Gearbox, Shear	1	F055	5/8 SAE Washer		2
	5051-6	Heavy Duty Tee Gearbox, Shear	**	F056	5/8 Split Lock Washer		2
15	5060	Gearbox Connector Tube (2-5/16)	1	F059	3/8 Wave Spring Washer		4
16	5053-1	Gearbox (RH Rotation)	1	F069	3/32 x 1/2 Cotter Pin		1
	5053-5	Heavy Duty Gearbox (RH Rotation)	**	F076	3/8-16 x 5/8 SQH Set Screw		*
17	5052-3	1.375 x .750 x .187 Washer	4	F124	10-32 x 3/8 Taptite Machine Screw		9
18	5747-11	Rubber Mat (3 x 6)	2	F136	AN960C416L Washer		20
19	5746-4	36" Gearbox Cover (Includes Item # 18)	1	F179	1/4-20 x 1 Hex Bolt		4
20	5830	Grease Fitting	1	F202	10-24 x 5/8 SHC Screw, GR5 SS		4
21	8067-13	Shear Pin w/Cotter (Set of 5) (Includes Item # F069)	*	F206	#2 x 3/16 Drive Pin		2
				F211	1/4-20 x 7/8 Hex Bolt		16
				F229	C-Clip (13/16)		2
				F246	1/4-20 x 1/2 PTHMS		2
				F278	3/8 Split Lock Washer		4***
				F295	3/16 x 1-1/2 Split Spring Pin		1
				F403	1/4-20 x 1/2 PTHMS SS		2
Deck Housing Components				* Service Part Only			
22	8670	Tilt-Up Hook	1	** Item(s) used on the Heavy Duty version of standard gearboxes. The Heavy Duty cast iron gearboxes are interchangeable with Standard aluminum gearboxes.			
23	5162-11	Roller Wheel (5" Poly) (Includes Item # F059)	2	*** Used on Heavy Duty gearbox configuration.			
24	8490	Roller Wheel Axle Bolt	2	NOTE: Order Item # 4 to use the splined deck PTO shaft with Model MT, MD, MC and MW.			
25	5710-18	36 SD Deck Housing (Includes Items # 23, 24, 29 & 31)	1	NOTE: Order Item # 5 to use the splined deck PTO shaft with Model MS and MB.			
26	NS	Deck Serial Number Plate	1				
27	5705-1	Blade, 20" (RH Rotation)	2				
	5705-5	36 SD Blade Set W/Hubs (Includes Items # 27, 28, F002 & F202)	*				

Use only genuine Walker® replacement parts.

Effective Date 07-01-06

DSD36 DECK ASSEMBLY (P/N 5710-17)

INCL. OPTIONAL HEAVY DUTY GEARBOXES



42 INCH COMPLETE CARRIER FRAME ASSEMBLY (P/N 5700-11)

ITEM NO.	PART NO.	DESCRIPTION	NO. REQ'D
----------	----------	-------------	-----------

Spring and Pivot Mount Components

1	5975-3	Cable Tie (50# x 7")	4
2	5744-1	Spring Clip Bracket	1
3	5743-1	Spring Cover	2
4	5743-3	Eyebolt (3/8-16 x 2)	2
5	8667-10	Pivot Mount, LH/Adj.	1
6	8667-20	Pivot Mount, RH/Adj.	1
7	5830-3	Grease Fitting (45 Degree)	4
8	5743-6	Extension Spring (1-1/2 x 7-3/4) (Includes Items # 1, F117 & F166)	2

Carrier Frame Components

9	8674-11	Lever, Deck Lock, LH	1
10	7406-1	Handle Grip (Red)	2
11	8669	Lift Handle	1
12	5748-10	Rubber Mat (1-1/2 x 6)	2
13	5740-2	Deck Pin Bushing (5/8)	4
14	8660-13	42" Carrier Frame (Less Pivots) (Includes Item # 12)	1
	8660-12	42" Carrier Frame w/Forks (Less Pivots) (Includes Items # 12, 21-23, 25, F055, F068 & F098)	*
15	8674-10	Lever, Deck Lock, RH	1
16	5830	Grease Fitting	6

Caster Wheel Components

17	5714-7	Bearing Cap	4
18	5714-5	Bearing, Caster Wheel	2
19	5715-4	Caster Wheel, Pneumatic (8 x 3.00-4) (Includes Items # 7, 17 & 18)	2
	5715-10	Tire, Pneumatic (8 x 3.00-4)	*
	5715-9	Tire Tube, Pneumatic (2.80/2.50-4)	*
	5715-3	Caster Wheel & Tire (8 x 3.00-4)	**
	5715-11	Tire, Caster Wheel/No-Flat (8 x 3.00-4)	**
20	5714-3	Axle Spacer Tube	2
21	5770-1	Caster Wheel Fork	2
22	8768-1	Seal (1-3/4 x 1-1/8)	2
23	8037	Bearing, Cone (3/4 ID)	4
24	8769-1	Bearing Cup (1-3/4 x 1-7/16)	4
25	8769-9	Dust Cap	2

ITEM NO.	PART NO.	DESCRIPTION	NO. REQ'D
----------	----------	-------------	-----------

Fasteners

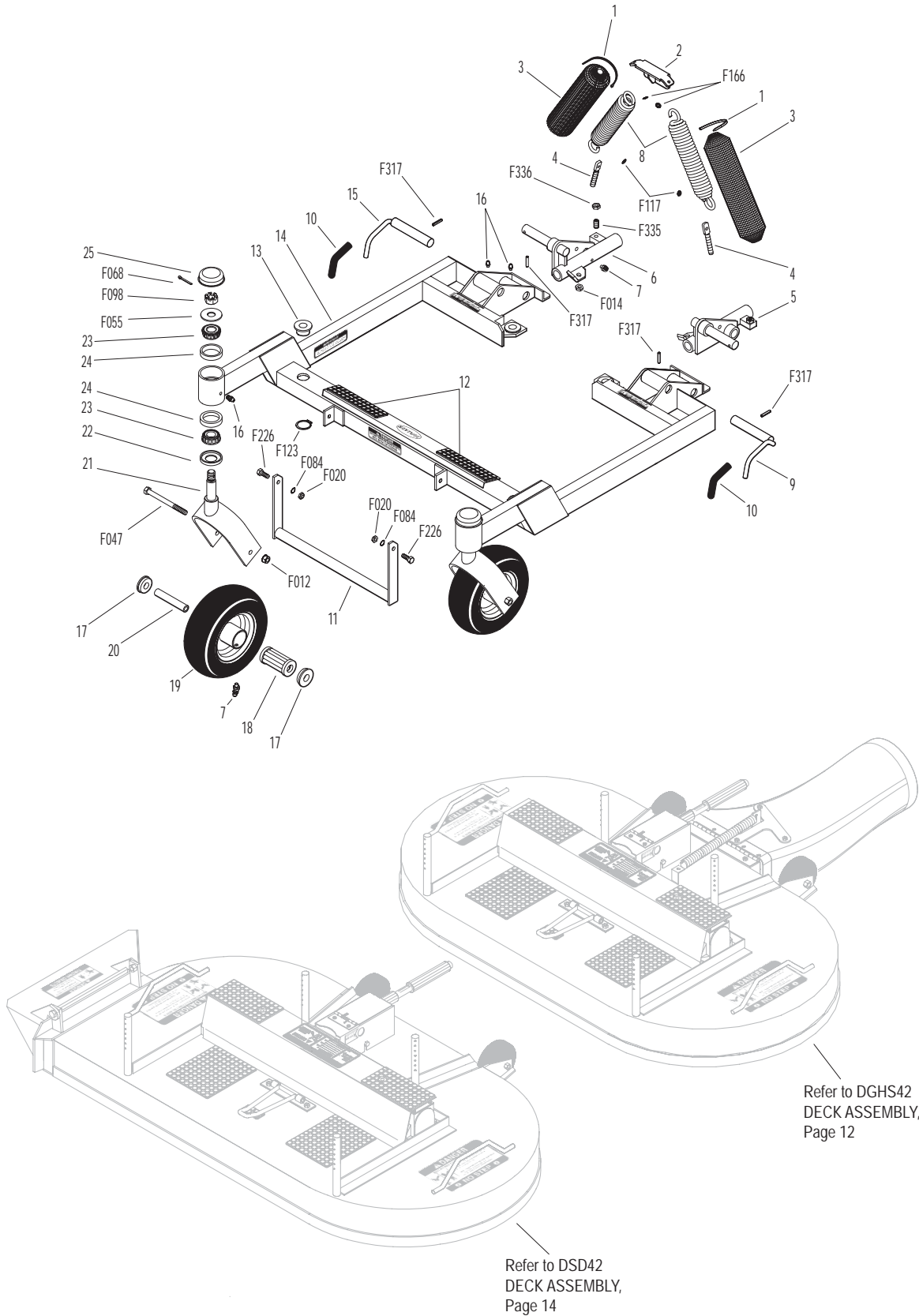
F012	3/8-16 Keps Nut	2
F014	3/8-16 ESNA Nut	2
F020	5/16-18 ESNA Nut	2
F047	3/8-16 x 4-1/2 Hex Bolt	2
F055	5/8 SAE Washer	2
F068	1/8 x 1 Cotter Pin	2
F084	5/16 Wave Spring Washer	2
F098	5/8-18 Slotted Hex Nut	2
F117	Retainer Ring	2
F123	1" External Snap Ring	4
F166	Retainer Ring	2
F226	5/16-18 x 7/8 Hex Bolt	2
F317	3/16 x 1 Split Spring Pin	4
F335	3/8-16 x 7/8 Set Screw, SS	2
F336	3/8-16 Jam Nut	2

* Service Part Only

** May be ordered as a factory-installed option or as a kit for dealer installation. Contact your Walker dealer.

NOTE: When installing Item # 8 on decks prior to S/N DX-62875, the swivel hook end should be attached to the deck carrier frame.

42 INCH COMPLETE CARRIER FRAME ASSEMBLY (P/N 5700-11)



Refer to DGHS42
DECK ASSEMBLY,
Page 12

Refer to DSD42
DECK ASSEMBLY,
Page 14

Refer to LUBRICATION POINTS, Page 48.

DGHS42 DECK ASSEMBLY (P/N 5705)

INCL. OPTIONAL HEAVY DUTY GEARBOXES

ITEM NO.	PART NO.	DESCRIPTION	NO. REQ'D	ITEM NO.	PART NO.	DESCRIPTION	NO. REQ'D
Gearbox and Drive Components				33	5705-4	Blade, 22" (LH Rotation)	1
1	8618-1	Cover, PTO Shaft Guard	1		5705-8	42 GHS Blade Set with Hubs (Includes Items # 31-33, F002 & F202)	*
2	8619	PTO Shaft Guard	1				
	8618	PTO Shaft Guard Assembly (Includes Items # 1, 2, F002 & F025)	*	34	8735-10	Rubber Mat (5 x 6)	2
3	5285-15	U-Joint Shaft Assy, 90 Degree, Spline (Includes Items # 26, F069 & F295)	1	35	7775-1	Hitch Pin, LH (Silver) #6	2
4	7275-16	U-Joint Tube Assy, Spline	1	36	8788-1	Rubber Mat (1 x 2)	1
5	5275-15	U-Joint Tube Assy (9.5" OAL), Spline (Includes Item # F076)	1	37	5704-4	42 GHS Deck Housing (Includes Items # 34 & 36)	1
6	5704-50	Gearbox and Tube Assembly (Includes Items # 12-21, F124, F136, F179 & F211)	1	38	7775-2	Hitch Pin, RH (Gold) #6	2
	5704-8	Heavy Duty Gearbox and Tube Assembly ** (Includes Items # 12-16, 18-21, F136, F179 & F211)	**	39	5727-1	Washer Shim (5/8 ID)	4
7	5794	Discharge Chute (6-1/2 Diameter) (Includes Items # 9, 11, F223 & F224)	1	Fasteners			
	5794-1	Discharge Chute Assembly with Spring Mount (Includes Items # 6, 7, 10, 11, F223 & F224)	*	F002	10-24 Keps Nut		9
8	8678	Spring Mount, Chute	1	F004	1/4-20 Keps Nut		2
9	8677	Extension Spring (1 x 6-1/16)	1	F005	1/4-20 ESNA Nut		2
10	5726	Chute Hinge (2 x 8)	1	F013	3/8-16 Whiz Locknut		6
11	5755	Chute Lower Lip	1	F018	5/8-18 Hex Nut		2
12	6054	Spline Coupling	4	F025	10-24 x 3/8 PPHMS		2
13	P007	Gasket, Cap (Peerless #788030)	4	F029	1/4-20 x 1/2 Hex Bolt		2
14	5063	Gearbox Connector Tube (8-5/8)	1	F036	1/4-20 x 1/2 SBH Screw		2
15	6732-3	Connecting Shaft (6-1/4)	1	F038	3/8-16 x 1 Hex Bolt		4***
16	5052-1	Gearbox (LH Rotation)	2	F039	3/8-16 x 1-1/4 Hex Bolt		4
	5052-5	Heavy Duty Gearbox (LH Rotation)	**	F050	1/4 SAE Washer		4
17	5706-4	Seal Protector Plate	2	F055	5/8 SAE Washer		2
18	5704-1	Gearbox Cover Support	2	F056	5/8 Split Lock Washer		2
19	5051-16	Tee Gearbox, Shear	1	F059	3/8 Wave Spring Washer		2
	5051-6	Heavy Duty Tee Gearbox, Shear	**	F069	3/32 x 1/2 Cotter Pin		1
20	6732-1	Connecting Shaft (2")	1	F076	3/8-16 x 5/8 SQH Set Screw		*
21	5062	Gearbox Connector Tube (4-3/8)	1	F087	#10 x 7/8 Fender Washer		2
22	5052-3	1.375 x .750 x .187 Washer	4	F124	10-32 x 3/8 Taptite Machine Screw		6
23	5747-11	Rubber Mat (3 x 6)	2	F129	10-24 x 1/2 PTHMS		3
24	5785-5	42" Gearbox Cover (Includes Item # 23)	1	F136	AN960C416L Washer		20
25	5830	Grease Fitting	1	F179	1/4-20 x 1 Hex Bolt		4
26	8067-13	Shear Pin w/Cotter (Set of 5) (Includes Item # F069)	*	F202	10-24 x 5/8 SHC Screw, GR5 SS		4
Deck Housing Components				F206	#2 x 3/16 Drive Pin		2
27	8670	Tilt-Up Hook	1	F211	1/4-20 x 7/8 Hex Bolt		16
28	5162-11	Roller Wheel (5" Poly) (Includes Item # F059)	2	F223	3/16 x 5/16 Semi-Tube Rivet		*
29	8490	Roller Wheel Axle Bolt	2	F224	3/16 x 7/16 Semi-Tube Rivet		*
30	NS	Deck Serial Number Plate	1	F229	C-Clip (13/16)		4
31	5705-3	Blade, 22" (RH Rotation)	1	F246	1/4-20 x 1/2 PTHMS		2
32	5706	Blade Hub & Trash Guard	2	F278	3/8 Split Lock Washer		4***
				F295	3/16 x 1-1/2 Split Spring Pin		1
				F403	1/4-20 x 1/2 PTHMS SS		2

* Service Part Only

** Item(s) used on the Heavy Duty version of standard gearboxes. The Heavy Duty cast iron gearboxes are interchangeable with Standard aluminum gearboxes.

*** Used on Heavy Duty gearbox configuration.

NOTE: Order Item # 4 to use the splined deck PTO shaft with Model MT, MD and MC.

NOTE: Order Item # 5 to use the splined deck PTO shaft with Model MS.

Use only genuine Walker® replacement parts.

Effective Date 07-01-06

DSD42 DECK ASSEMBLY (P/N 5707-10)

INCL. OPTIONAL HEAVY DUTY GEARBOXES

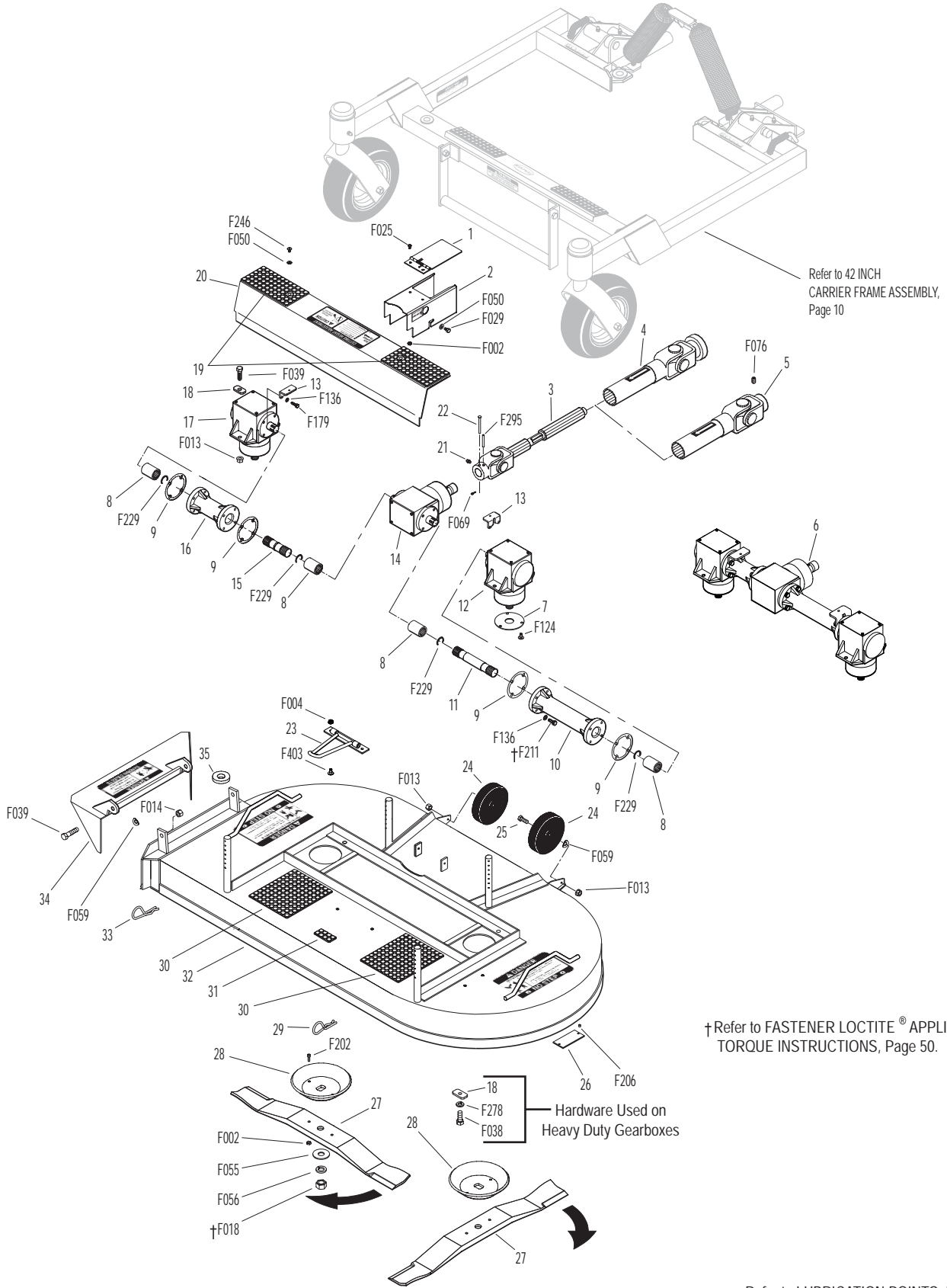
ITEM NO.	PART NO.	DESCRIPTION	NO. REQ'D	ITEM NO.	PART NO.	DESCRIPTION	NO. REQ'D
Gearbox and Drive Components				30	8735-10	Rubber Mat (5 x 6)	2
1	8618-1	Cover, PTO Shaft Guard	1	31	8788-1	Rubber Mat (1 x 2)	1
2	8619	PTO Shaft Guard	1	32	5703-3	42 SD Deck Housing (Includes Items # 30 & 31)	1
	8618	PTO Shaft Guard Assembly (Includes Items # 1, 2, F002 & F025)	*	33	7775-2	Hitch Pin, RH (Gold) #6	2
3	5285-15	U-Joint Shaft Assy, 90 Degree, Spline (Includes Items # 22, F069 & F295)	1	34	5709-2	36/42 Discharge Shield	1
4	7275-16	U-Joint Tube Assy, Spline	1	35	5727-1	Washer Shim (5/8 ID)	4
5	5275-15	U-Joint Tube Assy (9.5" OAL), Spline (Includes Item # F076)	1	Fasteners			
6	5704-51	Gearbox and Tube Assembly (Includes Items # 7-17, F124, F136, F179 & F211)	1	F002	10-24 Keps Nut		6
	5704-54	Heavy Duty Gearbox and Tube Assembly ** (Includes Items # 8-17, F136, F179 & F211)	**	F004	1/4-20 Keps Nut		2
7	5706-4	Seal Protector Plate	3	F013	3/8-16 Whiz Locknut		6
8	6054	Spline Coupling	4	F014	3/8-16 ESNA Nut		2
9	P007	Gasket, Cap (Peerless #788030)	4	F018	5/8-18 Hex Nut		2
10	5063	Gearbox Connector Tube (8-5/8)	1	F025	10-24 x 3/8 PPHMS		2
11	6732-3	Connecting Shaft (6-1/4)	1	F029	1/4-20 x 1/2 Hex Bolt		2
12	5052-1	Gearbox (LH Rotation)	1	F038	3/8-16 x 1 Hex Bolt		4***
	5052-5	Heavy Duty Gearbox (LH Rotation)	**	F039	3/8-16 x 1-1/4 Hex Bolt		6
13	5704-1	Gearbox Cover Support	2	F050	1/4 SAE Washer		4
14	5051-16	Tee Gearbox, Shear	1	F055	5/8 SAE Washer		2
	5051-6	Heavy Duty Tee Gearbox, Shear	**	F056	5/8 Split Lock Washer		2
15	6732-1	Connecting Shaft (2")	1	F059	3/8 Wave Spring Washer		4
16	5062	Gearbox Connector Tube (4-3/8)	1	F069	3/32 x 1/2 Cotter Pin		1
17	5053-1	Gearbox (RH Rotation)	1	F076	3/8-16 x 5/8 SQH Set Screw		*
	5053-5	Heavy Duty Gearbox (RH Rotation)	**	F124	10-32 x 3/8 Taptite Machine Screw		9
18	5052-3	1.375 x .750 x .187 Washer	4	F136	AN960C416L Washer		20
19	5747-11	Rubber Mat (3 x 6)	2	F179	1/4-20 x 1 Hex Bolt		4
20	5785-5	42" Gearbox Cover (Includes Item # 19)	1	F202	10-24 x 5/8 SHC Screw, GR5 SS		4
21	5830	Grease Fitting	1	F206	#2 x 3/16 Drive Pin		2
22	8067-13	Shear Pin w/Cotter (Set of 5) (Includes Item # F069)	*	F211	1/4-20 x 7/8 Hex Bolt		16
				F229	C-Clip (13/16)		4
				F246	1/4-20 x 1/2 PTHMS		2
				F278	3/8 Split Lock Washer		4***
				F295	3/16 x 1-1/2 Split Spring Pin		1
				F403	1/4-20 x 1/2 PTHMS SS		2
				* Service Part Only			
Deck Housing Components				** Item(s) used on the Heavy Duty version of standard gearboxes. The Heavy Duty cast iron gearboxes are interchangeable with Standard aluminum gearboxes.			
23	8670	Tilt-Up Hook	1	*** Used on Heavy Duty gearbox configuration.			
24	5162-11	Roller Wheel (5" Poly) (Includes Item # F059)	2	NOTE: Order Item # 4 to use the splined deck PTO shaft with Model MT, MD, MC and MW.			
25	8490	Roller Wheel Axle Bolt	2	NOTE: Order Item # 5 to use the splined deck PTO shaft with Model MS and MB.			
26	NS	Deck Serial Number Plate	1				
27	5705-3	Blade, 22" (RH Rotation)	2				
	5705-7	42 SD Blade Set with Hubs (Includes Items # 27, 28, F002 & F202)	*				
28	5706	Blade Hub & Trash Guard	2				
29	7775-1	Hitch Pin, LH (Silver) #6	2				

Use only genuine Walker® replacement parts.

Effective Date 07-01-06

DSD42 DECK ASSEMBLY (P/N 5707-10)

INCL. OPTIONAL HEAVY DUTY GEARBOXES



DML42A DECK ASSEMBLY (P/N 5707-1)

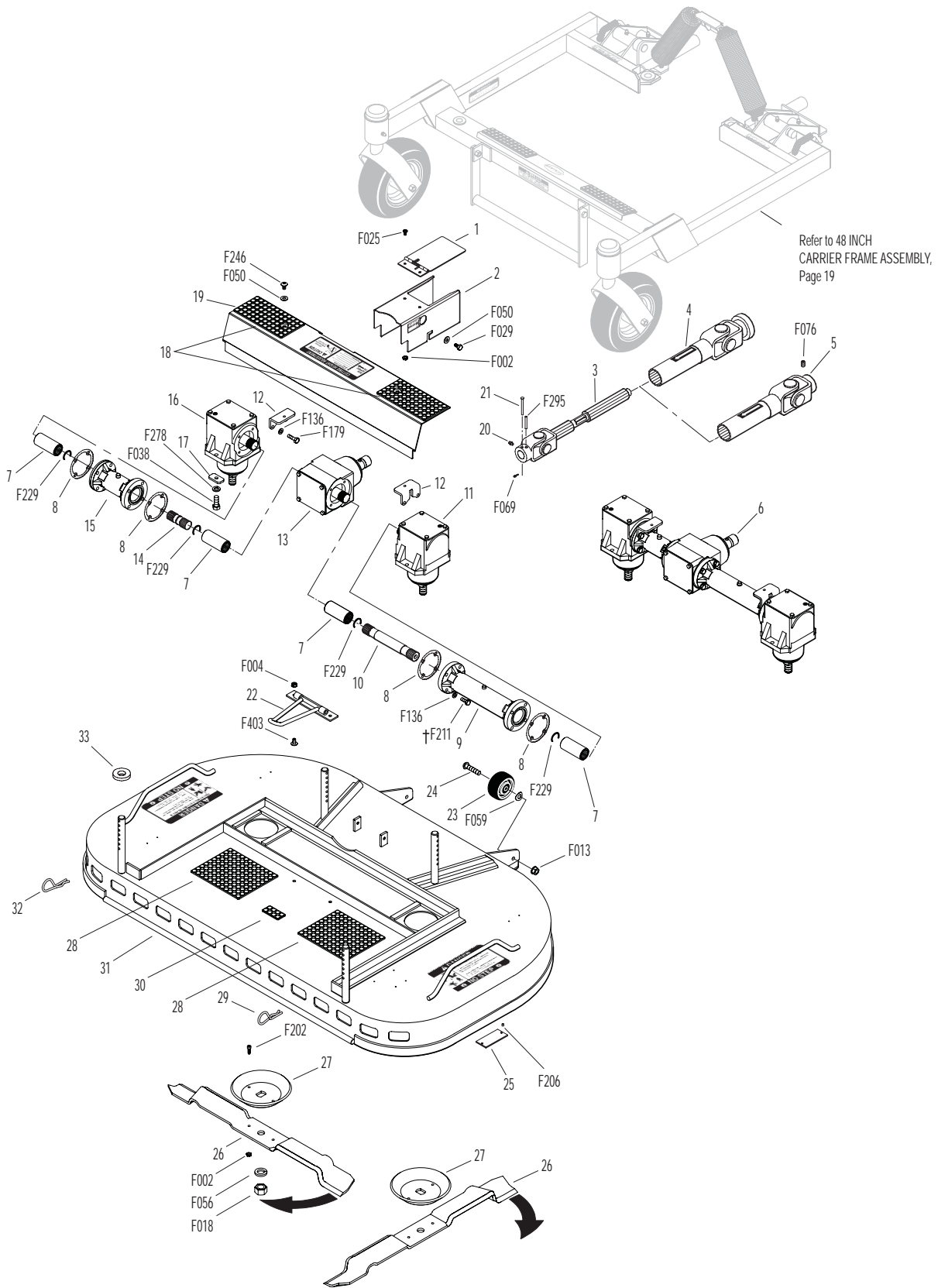
ITEM NO.	PART NO.	DESCRIPTION	NO. REQ'D	ITEM NO.	PART NO.	DESCRIPTION	NO. REQ'D
Gearbox and Drive Components				27	5706	Blade Hub & Trash Guard	2
1	8618-1	Cover, PTO Shaft Guard	1	28	8735-10	Rubber Mat (5 x 6)	2
2	8619	PTO Shaft Guard	1	29	7775-1	Hitch Pin, LH (Silver) #6	2
	8618	PTO Shaft Guard Assembly (Includes Items # 1, 2, F002 & F025)	*	30	8788-1	Rubber Mat (1 x 2)	1
3	5285-15	U-Joint Shaft Assy, 90 Degree, Spline (Includes Items # 21, F069 & F295)	1	31	5701-11	DML42A Deck Housing (Includes Items # 28 & 30)	1
4	7275-16	U-Joint Tube Assy, Spline	1	32	7775-2	Hitch Pin, RH (Gold) #6	2
5	5275-15	U-Joint Tube Assy (9.5" OAL), Spline (Includes Item # F076)	1	33	5727-1	Washer Shim (5/8 ID)	4
6	5704-55	42" Mulch Gearbox Tube Assembly, Cast Iron (Includes Items # 7-16, F136, F179 & F229)	1	Fasteners			
7	6054	Spline Coupling	4	F002	10-24 Keps Nut	6	
8	P007	Gasket, Cap (Peerless #788030)	4	F004	1/4-20 Keps Nut	2	
9	5063	Gearbox Connector Tube (8-5/8)	1	F013	3/8-16 Whiz Locknut	2	
10	6732-3	Connecting Shaft (6-1/4)	1	F018	5/8-18 Hex Nut	2	
11	5052-8	Heavy Duty Gearbox (LH Rotation)	1	F025	10-24 x 3/8 PPHMS	2	
12	5704-1	Gearbox Cover Support	2	F029	1/4-20 x 1/2 Hex Bolt	2	
13	5051-6	Heavy Duty Tee Gearbox, Shear	1	F038	3/8-16 x 1 Hex Bolt	4	
14	6732-1	Connecting Shaft (2")	1	F050	1/4 SAE Washer	4	
15	5062	Gearbox Connector Tube (4-3/8)	1	F056	5/8 Split Lock Washer	2	
16	5053-8	Heavy Duty Gearbox (RH Rotation)	1	F059	3/8 Wave Spring Washer	2	
17	5052-3	1.375 x .750 x .187 Washer	4	F069	3/32 x 1/2 Cotter Pin	1	
18	5747-11	Rubber Mat (3 x 6)	2	F076	3/8-16 x 5/8 SQH Set Screw	*	
19	5785-5	42" Gearbox Cover (Includes Item # 18)	1	F136	AN960C416L Washer	16	
20	5830	Grease Fitting	1	F179	1/4-20 x 1 Hex Bolt	4	
21	8067-13	Shear Pin w/Cotter (Set of 5) (Includes Item # F069)	*	F202	10-24 x 5/8 SHC Screw, GR5 SS	4	
Deck Housing Components				F206	#2 x 3/16 Drive Pin	2	
22	8670	Tilt-Up Hook	1	F211	1/4-20 x 7/8 Hex Bolt	12	
23	9772	Roller Wheel Assembly (2-1/2) (Includes Item # F059)	2	F229	C-Clip (13/16)	4	
24	8490	Roller Wheel Axle Bolt	2	F246	1/4-20 x 1/2 PTHMS	2	
25	NS	Deck Serial Number Plate	1	F278	3/8 Split Lock Washer	4	
26	5705-28	Blade 22" Mulch	2	F295	3/16 x 1-1/2 Split Spring Pin	1	
	5705-19	DML42A Blade Set W/Hubs (Includes Items # 27, F002 & F202)	*	F403	1/4-20 x 1/2 PTHMS SS	2	

* Service Part Only

NOTE: Order Item # 4 to use the splined deck PTO shaft with Model MT, MD, MC and MW.

NOTE: Order Item # 5 to use the splined deck PTO shaft with Model MS and MB.

DML42A DECK ASSEMBLY (P/N 5707-1)



Refer to LUBRICATION POINTS, Page 48.

Effective Date 07-01-06

Use only genuine Walker® replacement parts.

48 INCH COMPLETE CARRIER FRAME ASSEMBLY (P/N 7700-2)

ITEM NO.	PART NO.	DESCRIPTION	NO. REQ'D
----------	----------	-------------	-----------

Spring and Pivot Mount Components

1	5975-3	Cable Tie (50# x 7")	4
2	5744-1	Spring Clip Bracket	1
3	5743-1	Spring Cover	2
4	5743-3	Eyebolt (3/8-16 x 2)	2
5	5830-3	Grease Fitting (45 Degree)	4
6	8667-10	Pivot Mount, LH/Adj/	1
7	8667-20	Pivot Mount, RH/Adj.	1
8	5743-6	Extension Spring (1-1/2 x 7-3/4) (Includes Items # 1, F117 & F166)	2

Carrier Frame Components

9	8674-11	Lever, Deck Lock, LH	1
10	7406-1	Handle Grip (Red)	2
11	8669	Lift Handle	1
12	5748-10	Rubber Mat (1-1/2 x 6)	2
13	5740-2	Deck Pin Bushing (5/8)	4
14	8661-2	48" Carrier Frame (Includes Item # 12)	1
	8661-1	48" Carrier Frame w/Forks (Includes Items # 12, 21-23, 25, F055, F068 & F098)	*
15	8674-10	Lever, Deck Lock, RH	1
16	5830	Grease Fitting	6

Caster Wheel Components

17	5714-7	Bearing Cap	4
18	5714-5	Bearing, Caster Wheel	2
19	5715-4	Caster Wheel, Pneumatic (8 x 3.00-4) (Includes Items # 5, 17 & 18)	2
	5715-10	Tire, Pneumatic (8 x 3.00-4)	*
	5715-9	Tire Tube, Pneumatic (2.80/2.50-4)	*
	5715-3	Caster Wheel & Tire (8 x 3.00-4)	**
	5715-11	Tire, Caster Wheel/No-Flat (8 x 3.00-4)	**
20	5714-3	Axle Spacer Tube	2
21	5770-1	Caster Wheel Fork	2
22	8768-1	Seal (1-3/4 x 1-1/8)	2
23	8037	Bearing, Cone (3/4 ID)	4
24	8769-1	Bearing Cup (1-3/4 x 1-7/16)	4
25	8769-9	Dust Cap	2

ITEM NO.	PART NO.	DESCRIPTION	NO. REQ'D
----------	----------	-------------	-----------

Fasteners

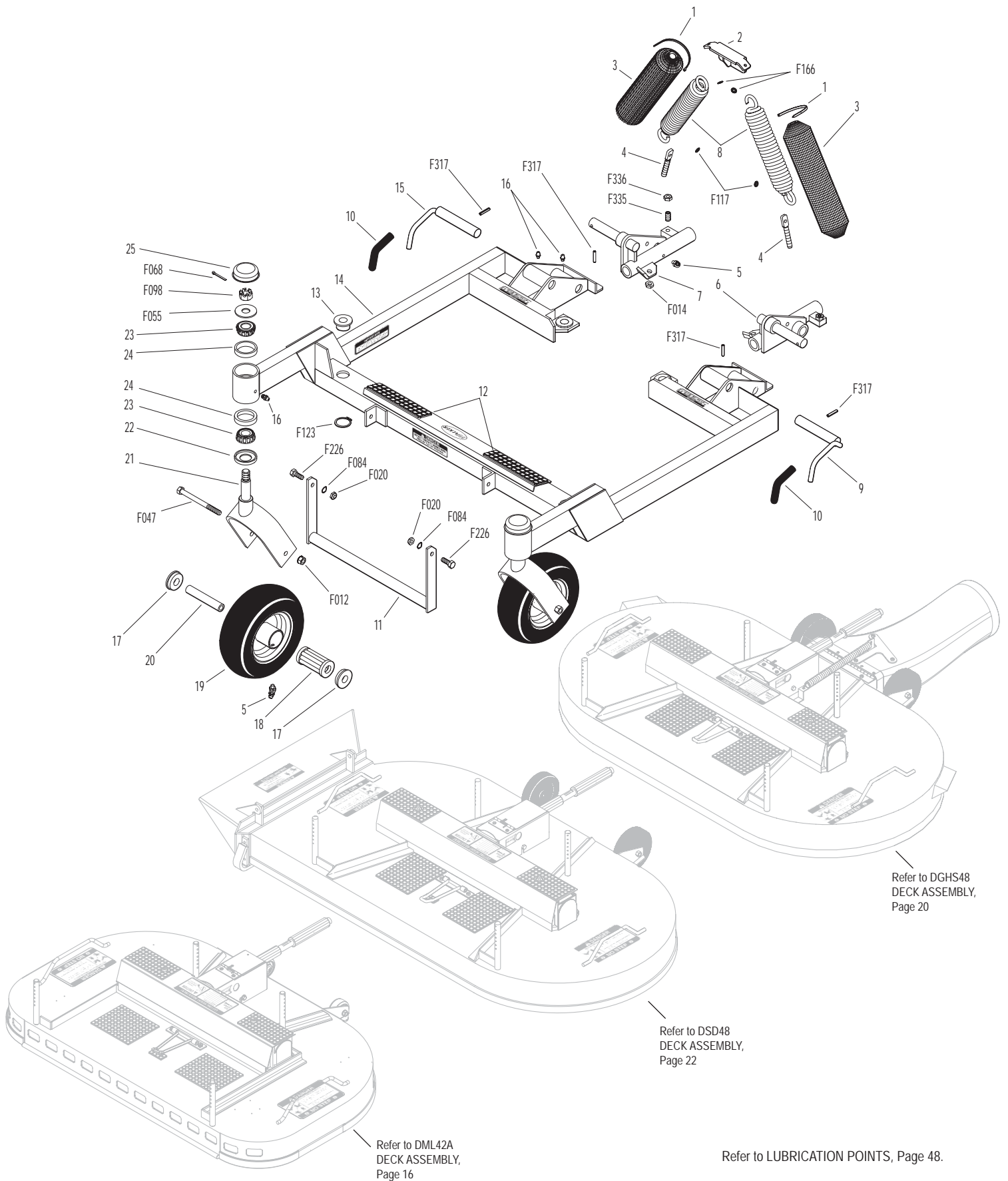
F012	3/8-16 Keps Nut	2
F014	3/8-16 ESNA Nut	2
F020	5/16-18 ESNA Nut	2
F047	3/8-16 x 4-1/2 Hex Bolt	2
F055	5/8 SAE Washer	2
F068	1/8 x 1 Cotter Pin	2
F084	5/16 Wave Spring Washer	2
F098	5/8-18 Slotted Hex Nut	2
F117	Retainer Ring	2
F123	1" External Snap Ring	4
F166	Retainer Ring	4
F226	5/16-18 x 7/8 Hex Bolt	2
F317	3/16 x 1 Split Spring Pin	4
F335	3/8-16 x 7/8 Set Screw, SS	2
F336	3/8-16 Jam Nut	2

* Service Part Only

** May be ordered as a factory-installed option or as a kit for dealer installation. Contact your Walker dealer.

NOTE: The 48 Inch Carrier Frame is also used on the DML42A Mulching Deck (5707-1).

48 INCH COMPLETE CARRIER FRAME ASSEMBLY (P/N 7700-2)



Refer to DGHS48
DECK ASSEMBLY,
Page 20

Refer to DSD48
DECK ASSEMBLY,
Page 22

Refer to DML42A
DECK ASSEMBLY,
Page 16

Refer to LUBRICATION POINTS, Page 48.

Effective Date 07-01-06

Use only genuine Walker® replacement parts.

DGHS48 DECK ASSEMBLY (P/N 7702-1)

INCL. OPTIONAL HEAVY DUTY GEARBOXES

ITEM NO.	PART NO.	DESCRIPTION	NO. REQ'D	ITEM NO.	PART NO.	DESCRIPTION	NO. REQ'D
Gearbox and Drive Components				31	5706	Blade Hub & Trash Guard	2
1	8618-1	Cover, PTO Shaft Guard	1	32	7705-2	Blade, 25" (LH Rotation)	1
2	8619	PTO Shaft Guard	1		7705-3	48 GHS Blade Set with Hubs (Includes Items # 30-32, F002 & F202)	*
	8618	PTO Shaft Guard Assembly (Includes Items # 1, 2, F002 & F025)	*	33	7775-1	Hitch Pin, LH (Silver) #6	2
3	7285-15	U-Joint Shaft Assy, 90 Degree, Spline (Includes Items # 25, F069 & F295)	1	34	8735-10	Rubber Mat (5 x 6)	2
4	7275-16	U-Joint Tube Assy, Spline	1	35	8788-1	Rubber Mat (1 x 2)	1
5	7794	Discharge Chute (3-1/2 x 11-1/2) (Includes Items # 9, 10, F223 & F224)	1	36	7701	48 GHS Deck Housing (Includes Items # 34 & 35)	1
	7794-1	Discharge Chute Assembly with Spring Mount (Includes Items # 5, 7, 9, 10, F223 & F224)	*	37	7775-2	Hitch Pin, RH (Gold) #6	2
6	5704-58	Gearbox and Tube Assembly (Includes Items # 11-20, F124, F136, F179 & F211)	1	38	5727-1	Washer Shim (5/8 ID)	4
	5704-9	Heavy Duty Gearbox and Tube Assembly (Includes Items # 11-14, 16-20, F136, F179 & F211)	**	Fasteners			
7	8678	Spring Mount, Chute	1		F002	10-24 Keps Nut	9
8	8677	Extension Spring (1 x 6-1/16)	1		F004	1/4-20 Keps Nut	2
9	7726	Chute Hinge (2 x 11)	1		F005	1/4-20 ESNA Nut	2
10	7755	Chute Lower Lip	1		F013	3/8-16 Whiz Locknut	6
11	6054	Spline Coupling	4		F018	5/8-18 Hex Nut	2
12	P007	Gasket, Cap (Peerless #788030)	4		F025	10-24 x 3/8 PPHMS	2
13	5066	Gearbox Connector Tube (9-5/16)	1		F029	1/4-20 x 1/2 Hex Bolt	2
14	6732-6	Connecting Shaft (7")	1		F036	1/4-20 x 1/2 SBH Screw	2
15	5706-4	Seal Protector Plate	2		F038	3/8-16 x 1 Hex Bolt	4***
16	5052-1	Gearbox (LH Rotation)	2		F039	3/8-16 x 1-1/4 Hex Bolt	4
	5052-5	Heavy Duty Gearbox (LH Rotation)	**		F050	1/4 SAE Washer	4
17	5704-1	Gearbox Cover Support	2		F055	5/8 SAE Washer	2
18	7751-16	Tee Gearbox (1.2:1 Ratio)	1		F056	5/8 Split Lock Washer	2
	7751-5	Heavy Duty Tee Gearbox (1.2:1 Ratio)	**		F059	3/8 Wave Spring Washer	2
19	6732-2	Connecting Shaft (4-1/8)	1		F069	3/32 x 1/2 Cotter Pin	1
20	5061	Gearbox Connector Tube (6-11/16)	1		F087	#10 x 7/8 Fender Washer	2
21	5052-3	1.375 x .750 x .187 Washer	4		F124	10-32 x 3/8 Taptite Machine Screw	6
22	5747-12	Rubber Mat (3 x 6)	2		F129	10-24 x 1/2 PTHMS	3
23	7785-3	48" Gearbox Cover (Includes Item # 22)	1		F136	AN960C416L Washer	20
24	5830	Grease Fitting	1		F179	1/4-20 x 1 Hex Bolt	4
25	8067-10	Shear Pin w/Cotter (Set of 5) (Includes Item # F069)	*		F202	10-24 x 5/8 SHC Screw, GR5 SS	4
Deck Housing Components					F206	#2 x 3/16 Drive Pin	2
26	8670	Tilt-Up Hook	1		F211	1/4-20 x 7/8 Hex Bolt	12
27	5162-11	Roller Wheel (5" Poly) (Includes Item # F059)	2		F223	3/16 x 5/16 Semi-Tube Rivet	*
28	8490	Roller Wheel Axle Bolt	2		F224	3/16 x 7/16 Semi-Tube Rivet	*
29	NS	Deck Serial Number Plate	1		F229	C-Clip (13/16)	4
30	7705-1	Blade, 25" (RH Rotation)	1		F246	1/4-20 x 1/2 PTHMS	2
					F278	3/8 Split Lock Washer	4***
					F295	3/16 x 1-1/2 Split Spring Pin	1
					F403	1/4-20 x 1/2 PTHMS SS	2

* Service Part Only

** Item(s) used on the Heavy Duty version of standard gearboxes. The Heavy Duty cast iron gearboxes are interchangeable with Standard aluminum gearboxes.

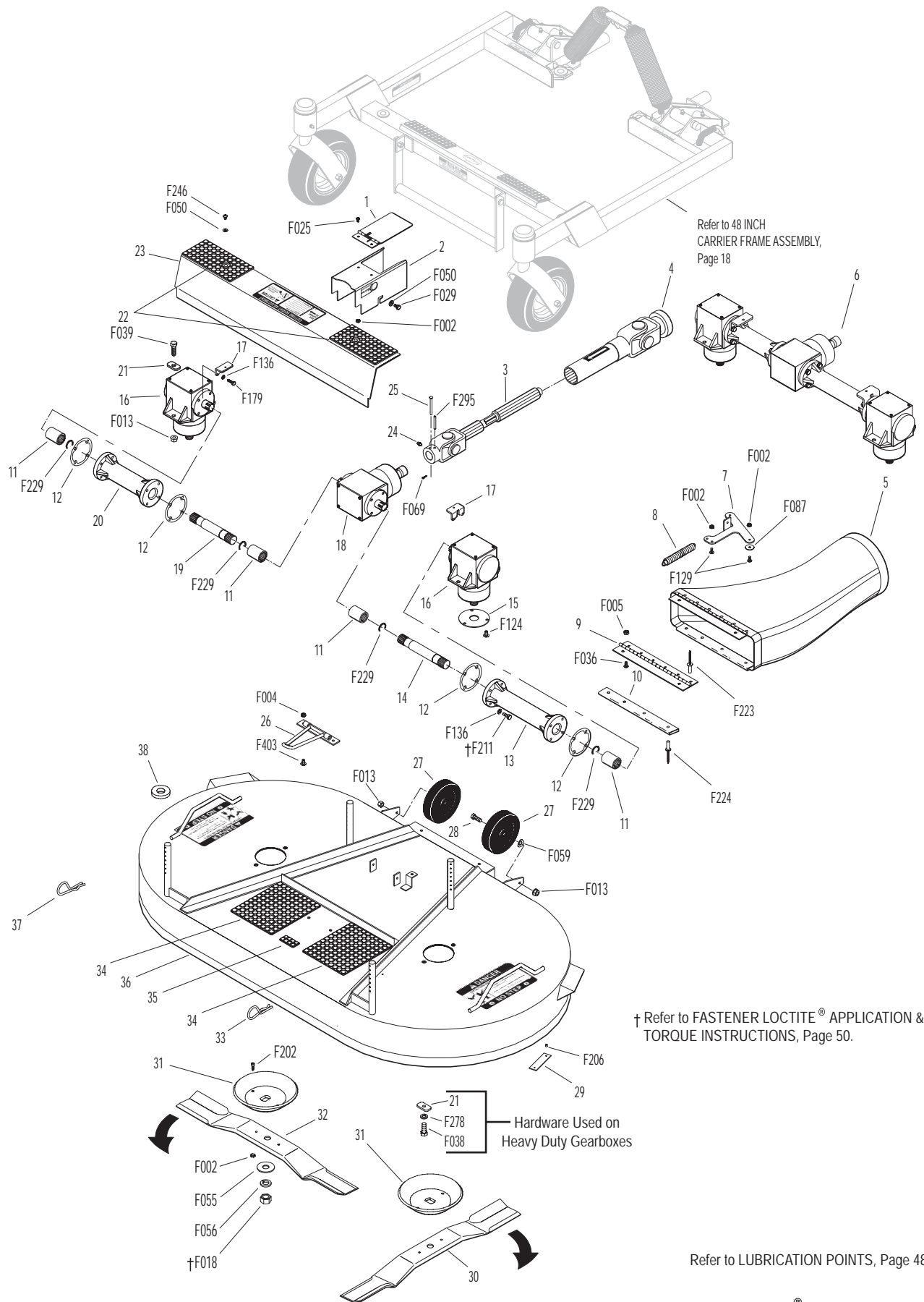
*** Used on Heavy Duty gearbox configuration.

Use only genuine Walker® replacement parts.

Effective Date 07-01-06

DGHS48 DECK ASSEMBLY (P/N 7702-1)

INCL. OPTIONAL HEAVY DUTY GEARBOXES



DSD48 DECK ASSEMBLY (P/N 7701-17)

INCL. OPTIONAL HEAVY DUTY GEARBOXES

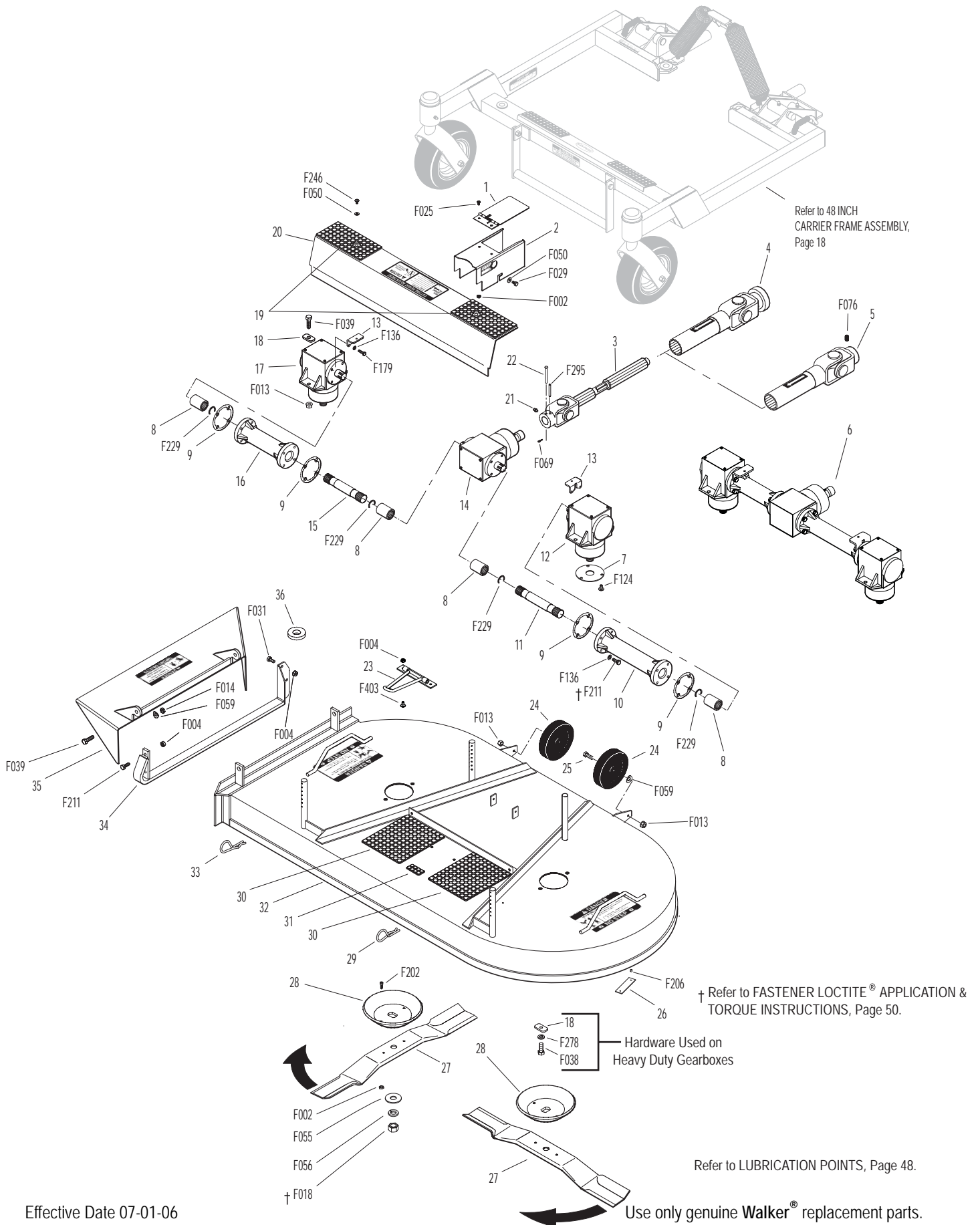
ITEM NO.	PART NO.	DESCRIPTION	NO. REQ'D	ITEM NO.	PART NO.	DESCRIPTION	NO. REQ'D
Gearbox and Drive Components				31	8788-1	Rubber Mat (1 x 2)	1
1	8618-1	Cover, PTO Shaft Guard	1	32	7701-18	48 SD Deck Housing (Includes Items # 30 & 31)	1
2	8619	PTO Shaft Guard	1	33	7775-2	Hitch Pin, RH (Gold) #6	2
	8618	PTO Shaft Guard Assembly (Includes Items # 1, 2, F002 & F025)	*	34	7707-10	48 SD Skid Bar	1
3	7285-15	U-Joint Shaft Assy, 90 Degree, Spline (Includes Items # 22, F069 & F295)	1	35	6709-5	48 SD Discharge Shield	1
4	7275-16	U-Joint Tube Assy, Spline	1	36	5727-1	Washer Shim (5/8 ID)	4
5	5275-15	U-Joint Tube 9.5" OAL Spline (Includes Item # F076)	1	Fasteners			
6	5704-60	Gearbox and Tube Assembly (Includes Items # 7-17, F124, F136, F179 & F211)	1	F002	10-24 Keps Nut		6
	5704-61	Heavy Duty Gearbox and Tube Assembly ** (Includes Items # 8-17, F136, F179 & F211)	**	F004	1/4-20 Keps Nut		6
7	5706-4	Seal Protector Plate	2	F013	3/8-16 Whiz Locknut		6
8	6054	Spline Coupling	4	F014	3/8-16 ESNA Nut		2
9	P007	Gasket, Cap (Peerless #788030)	4	F018	5/8-18 Hex Nut		2
10	5066	Gearbox Connector Tube (9-5/16)	1	F025	10-24 x 3/8 PPHMS		2
11	6732-6	Connecting Shaft (7")	1	F029	1/4-20 x 1/2 Hex Bolt		2
12	5052-1	Gearbox (LH Rotation)	1	F031	1/4-20 x 5/8 Hex Bolt		2
	5052-5	Heavy Duty Gearbox (LH Rotation)	**	F038	3/8-16 x 1 Hex Bolt		4***
13	5704-1	Gearbox Cover Support	2	F039	3/8-16 x 1-1/4 Hex Bolt		6
14	5051-16	Tee Gearbox, Shear	1	F050	1/4 SAE Washer		4
	5051-6	Heavy Duty Tee Gearbox, Shear	**	F055	5/8 SAE Washer		2
15	6732-2	Connecting Shaft (4-1/8)	1	F056	5/8 Split Lock Washer		2
16	5061	Gearbox Connector Tube (6-11/16)	1	F059	3/8 Wave Spring Washer		4
17	5053-1	Gearbox (RH Rotation)	1	F069	3/32 x 1/2 Cotter Pin		1
	5053-5	Heavy Duty Gearbox (RH Rotation)	**	F076	3/8-16 x 5/8 SQH Set Screw		1
18	5052-3	1.375 x .750 x .187 Washer	4	F124	10-32 x 3/8 Taptite Machine Screw		6
19	5747-12	Rubber Mat (3 x 6)	2	F136	AN960C416L Washer		20
20	7785-3	48" Gearbox Cover (Includes Item # 19)	1	F179	1/4-20 x 1 Hex Bolt		4
21	5830	Grease Fitting	1	F202	10-24 x 5/8 SHC Screw, GR5 SS		4
22	8067-13	Shear Pin w/Cotter (Set of 5) (Includes Item # F069)	*	F206	#2 x 3/16 Drive Pin		2
Deck Housing Components				F211	1/4-20 x 7/8 Hex Bolt		18
23	8670	Tilt-Up Hook	1	F229	C-Clip (13/16)		4
24	5162-11	Roller Wheel (5" Poly) (Includes Item # F059)	2	F246	1/4-20 x 1/2 PTHMS		2
25	8490	Roller Wheel Axle Bolt	2	F278	3/8 Split Lock Washer		4***
26	NS	Deck Serial Number Plate	1	F295	3/16 x 1-1/2 Split Spring Pin		1
27	7705-1	Blade, 25" (RH Rotation)	2	F403	1/4-20 x 1/2 PTHMS SS		2
	7705-5	48 SD Blade Set with Hubs (Includes Items # 27, 28, F002 & F202)	*	* Service Part Only			
28	5706	Blade Hub & Trash Guard	2	** Item(s) used on the Heavy Duty version of standard gearboxes. The Heavy Duty cast iron gearboxes are interchangeable with Standard aluminum gearboxes.			
29	7775-1	Hitch Pin, LH (Silver) #6	2	*** Used on Heavy Duty gearbox configuration.			
30	8735-10	Rubber Mat (5 x 6)	2	NOTE: Order Item # 4 to use the splined deck PTO shaft with Model MT, MD, MC and MW.			
				NOTE: Order Item # 5 to use the splined deck PTO shaft with Model MB.			

Use only genuine Walker® replacement parts.

Effective Date 07-01-06

DSD48 DECK ASSEMBLY (P/N 7701-17)

INCL. OPTIONAL HEAVY DUTY GEARBOXES



Effective Date 07-01-06

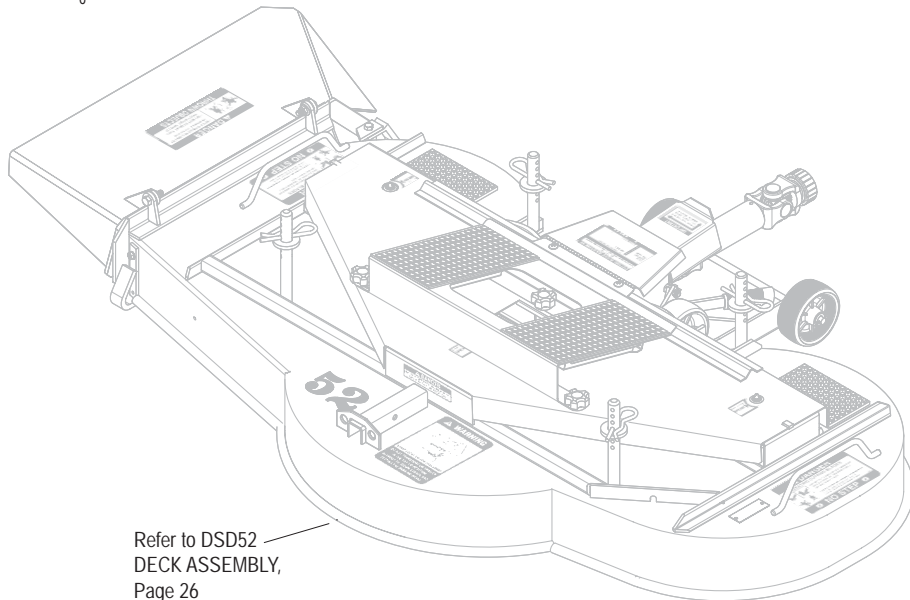
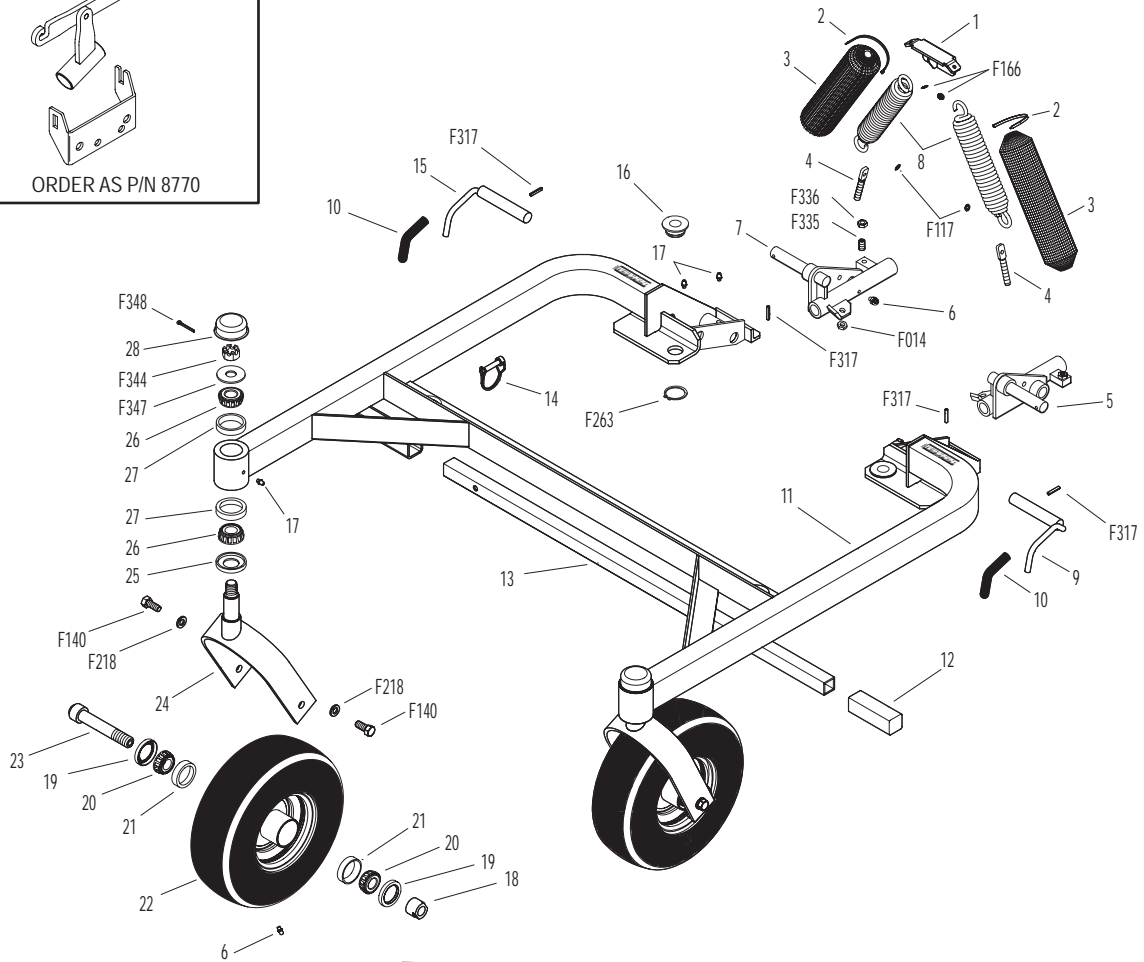
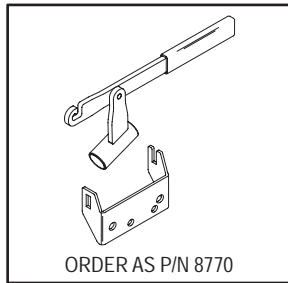
52 INCH COMPLETE CARRIER FRAME ASSEMBLY (P/N 8811)

ITEM NO.	PART NO.	DESCRIPTION	NO. REQ'D	ITEM NO.	PART NO.	DESCRIPTION	NO. REQ'D
Spring and Pivot Mount Components				Caster Wheel Components			
1	5744-1	Spring Clip Bracket	1	18	8766	Axle Nut (3/4-16)	2
2	5975-3	Cable Tie (50# x 7")	4	19	8768-2	Seal, Reverse Lip	4
3	5743-1	Spring Cover	2	20	8037	Bearing Cone (3/4 ID)	4
4	5743-4	Eyebolt (3/8-16 x 2-3/4)	2	21	8037-2	Bearing Race	4
5	8667-10	Pivot Mount, LH/Adj.	1	22	8768	Caster Wheel, Pneumatic (11 x 4.00-5)	2
6	5830-3	Grease Fitting (45 Degree)	4			(Includes Items # 6 & 21)	
7	8667-20	Pivot Mount, RH/Adj.	1		8768-3	Tire, Pneumatic (11 x 4.00-5)	*
8	5743-6	Extension Spring (1-1/2 x 7-3/4)	2		8768-5	Caster Wheel (5 x 3)	*
		(Includes Items # 2, F117 & F166)		23	8767	Axle, Caster Wheel (5-1/8)	2
Carrier Frame Components				24	8765-10	Caster Wheel Fork	2
9	8674-11	Lever, Deck Lock, LH	1	25	8769-7	Seal	2
10	7406-1	Handle Grip (Red)	2	26	8769-6	Bearing Cone (1" ID)	4
11	8811-12	52 SD Carrier Frame	1	27	8769-5	Bearing Cup (2 x 1-5/8)	4
	8811-10	52 SD Carrier Frame, w/ Pivots	*	28	8769-8	Dust Cap	2
		(Includes Items # F335 & F336)		Fasteners			
12	5850-5	Handle Grip (1 x 1 x 3-3/4)	1		F014	3/8-16 ESNA Nut	2
13	8811-25	Tilt Bar, with Grip (35")	1		F117	Retainer Ring	2
		(Includes Item # 12)			F140	7/16-14 x 1 Hex Bolt	4
14	7775-5	Lock Pin (5/16)	1		F166	Retainer Ring	2
15	8674-10	Lever, Deck Lock, RH	1		F218	7/16 Split Lock Washer	4
16	8740	Deck Pin Bushing (3/4 ID)	4		F263	1-1/4 External Snap Ring	4
17	5830	Grease Fitting	6		F317	3/16 x 1 Split Spring Pin	4
					F335	3/8-16 x 7/8 Set Screw, SS	2
					F336	3/8-16 Jam Nut	2
					F344	3/4-16 Slotted Hex Nut	2
					F347	3/4 SAE Washer	2
					F348	1/8 x 1-1/2 Cotter Pin	2

* Service Part Only

NOTE: The E-Z Pin Puller P/N 8770 can be ordered to assist removing and installing height adjustment hitch pins on larger decks. This item stows on tractor when not in use.

52 INCH COMPLETE CARRIER FRAME ASSEMBLY (P/N 8811)



DSD52 DECK ASSEMBLY (P/N 8810)

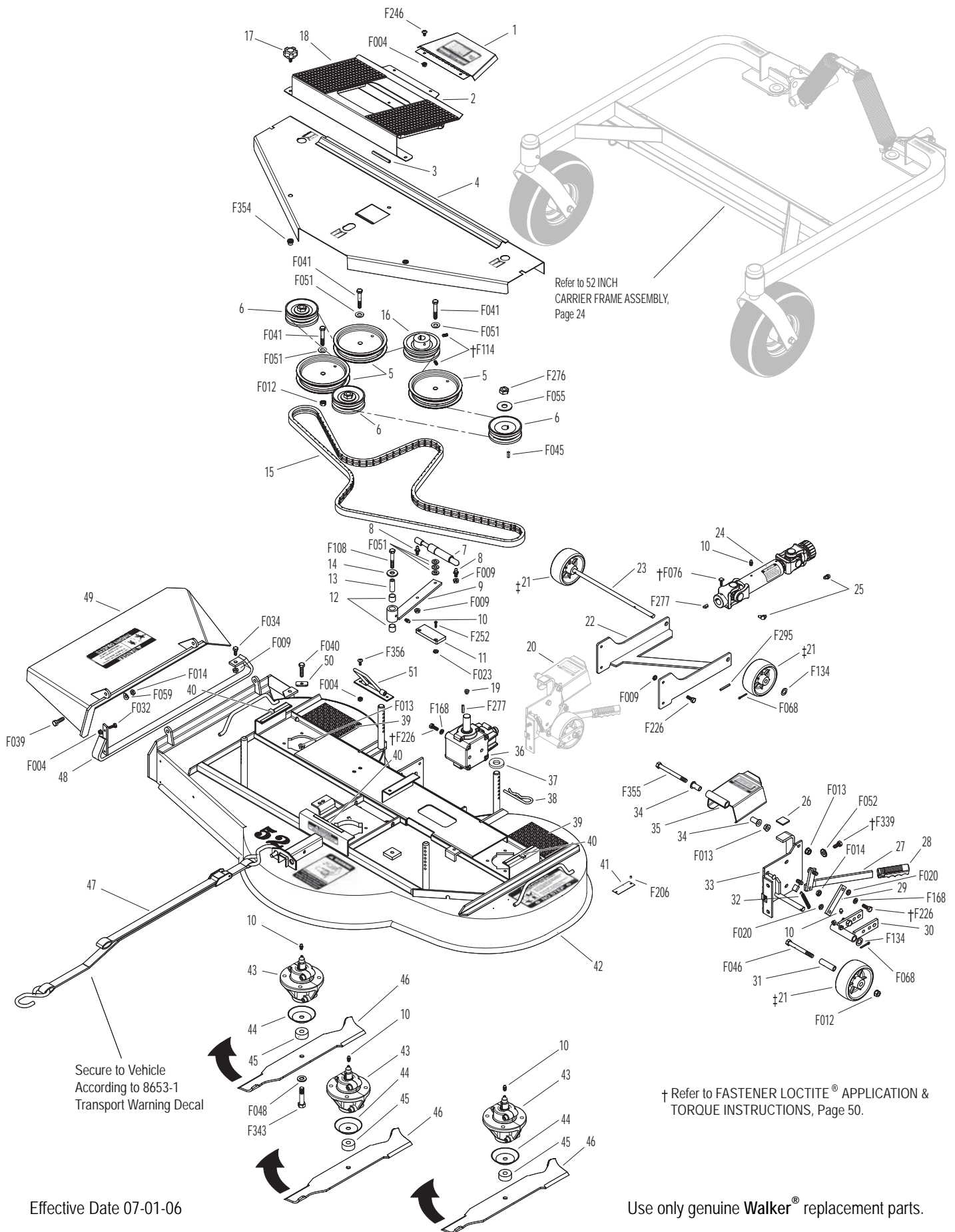
ITEM NO.	PART NO.	DESCRIPTION	NO. REQ'D	ITEM NO.	PART NO.	DESCRIPTION	NO. REQ'D
Blade Drive Components				42	8810-10	52 SD Deck Housing (Includes Items # 39 & 40)	1
1	8789-5	Pulley Guard	1	43	8052	Blade Spindle (Includes Item # 10)	3
2	8786-15	Footrest Assembly (Includes Item # 18)	1	44	8739	Spindle Shield	3
3	NS	Edge Molding	2	45	5705-25	Blade Spacer	3
4	8754-10	52 SD Cover Plate (Includes Item # F354)	1	46	5705-14	Blade, 18-1/2 (RH Rotation)	3
5	8245	Idler Pulley (6")	3		8738-7	52 SD Blade Set	*
6	8755	Blade Drive Pulley (3-7/8)	3	47	8910-5	Tie-Down Strap (Used to secure deck in tilt-up position during transport)	2
7	8762	Dampening Spring (Gas)	1	48	8707	52/62 SD Skid Bar	1
8	5146	10mm Ball Stud	2	49	8709	52/62 SD Discharge Shield	1
9	8373-3	Idler Arm (2-Hole)	1	50	5052-3	1.375 x .750 x .187 Washer	12
10	5830	Grease Fitting	6	51	8670-10	Tilt-Up Hook	1
11	8374-1	Idler Arm Guide	1	Fasteners			
12	7201-3	DU Bearing	2	F004	1/4-20 Keps Nut		6
13	7201-4	Inner Race (1-1/2)	1	F009	5/16-18 Whiz Locknut		7
14	5841	Retainer Washer (3/8 x 1-1/4)	1	F012	3/8-16 Keps Nut		3
15	8736	Blade Drive Belt (R3VX1000-2)	1	F013	3/8-16 Whiz Locknut		14
16	6240-2	Drive Pulley (4-1/2 / 3V) (Includes Items # F114 & F277)	1	F014	3/8-16 ESNA Nut		3
17	8787	Deck Cover Knob	3	F020	5/16-18 ESNA Nut		2
18	8786-10	Rubber Mat (6 x 10-1/2)	2	F023	10-24 ESNA Nut		2
Gearbox and Dolly Wheel Components				F032	1/4-20 x 3/4 Hex Bolt		2
19	6206	Pressure Relief Valve	1	F034	5/16-18 x 3/4 Hex Bolt		1
20	8745-25	Dolly Wheel/PTO Guard Assembly (Includes Items # 21, 26, 28, 31, 34, 35, F012, F013, F046, F047, F052, F168, F226, F339 & F355)	*	F039	3/8-16 x 1-1/4 Hex Bolt		2
21	6715	Roller Wheel (3-7/8)	3	F040	3/8-16 x 1-1/2 Hex Bolt		12
22	8810-30	Tilt Dolly Mount Frame	1	F041	3/8-16 x 1-3/4 Hex Bolt		3
23	8810-34	Axle, Dolly Mount	1	F045	3/16 x 3/16 x 3/4 Key		3
24	8285-20	U-Joint Shaft Assy, T-Scope (Includes Items # 25, F076 & F277)	1	F046	3/8-16 x 3-1/2 Hex Bolt		1
25	5830-3	Grease Fitting (45 Degree)	2	F048	1/2 SAE Washer		3
26	8788	Rubber Bumper (Self-Adhesive Mount)	1	F051	3/8 SAE Washer		6
27	8745-14	Retract Lever	1	F052	5/16 External Star Lock Washer		2
28	5850-1	Handle Grip	1	F055	5/8 SAE Washer		3
29	8745-12	Actuator Link	1	F059	3/8 Wave Spring Washer		2
30	8745-13	Dolly Wheel Mount (Includes Item # 10)	1	F068	1/8 x 1 Cotter Pin		3
31	8745-15	Axle Spacer Tube	1	F076	3/8-16 x 5/8 SQH Set Screw		1
32	5229	Extension Spring (1/2 x 2-1/4)	1	F108	3/8-16 x 2 Hex Bolt		1
33	8745-20	Mount Bracket (Includes Items # 26, F052, F068 & F339)	1	F114	5/16-18 x 5/8 SQH Set Screw		2
34	5103-4	Pivot Bushing (3/8 ID)	2	F134	AN960816L Washer		3
35	8745-40	PTO Cover Plate	1	F168	5/16 Split Lock Washer		8
36	8051-10	Right Angle Gearbox (Includes Item # 19)	1	F206	#2 x 3/16 Drive Pin		2
Deck Housing Components				F226	5/16-18 x 7/8 Hex Bolt		12
37	8727	Washer Shim (13/16 x 1/4)	4	F246	1/4-20 x 7/8 PTHMS		2
38	8775	Hitch Pin (#219)	4	F252	10-24 x 3/4 PFHMS		2
39	8735-10	Rubber Mat (5 x 6)	2	F276	5/8-11 Jam Nut		3
40	8790	Rubber Cushion Strip	3	F277	3/16 x 5/8 Woodruff Key (#605)		2
41	NS	Deck Serial Number Plate	1	F295	3/16 x 1-1/2 Split Spring Pin		2
				F339	5/16-18 x 3/4 Self-Tapping Bolt		2
				F343	1/2-20 x 2-1/4 Hex Bolt		3
				F354	Knurled Thread Insert 5/16		2
				F355	3/8 x 16 x 4 Hex Bolt		1
				F356	1/4-20 x 5/8 PTHMS		2

* Service Part Only

Use only genuine Walker® replacement parts.

Effective Date 07-01-06

DSD52 DECK ASSEMBLY (P/N 8810)



Effective Date 07-01-06

MULCHING KIT (FOR DSD52 DECK ASSEMBLY)

ITEM NO.	PART NO.	DESCRIPTION	NO. REQ'D
----------	----------	-------------	-----------

Kit 8691 Mulching Kit (For DSD52 Deck Assembly)
Includes Items # 1-6, fasteners listed and instructions. May be ordered as a factory-installed option or as a kit for dealer installation. Contact your Walker dealer. Refer also to **DSD52 DECK ASSEMBLY**, page 26.

1	8691-4	Baffle/RH	1
2	8691-3	Baffle/Center	1
3	8691-2	Baffle/LH	1
4	5705-15	Blade, 18-3/8 Upper Mulch	3
	8738-8	52 SD Mulching Blade Set	*
5	8691-10	Blade Saddle	3
6	5705-14	Blade, 18-1/2 (RH Rotation)	3

ITEM NO.	PART NO.	DESCRIPTION	NO. REQ'D
----------	----------	-------------	-----------

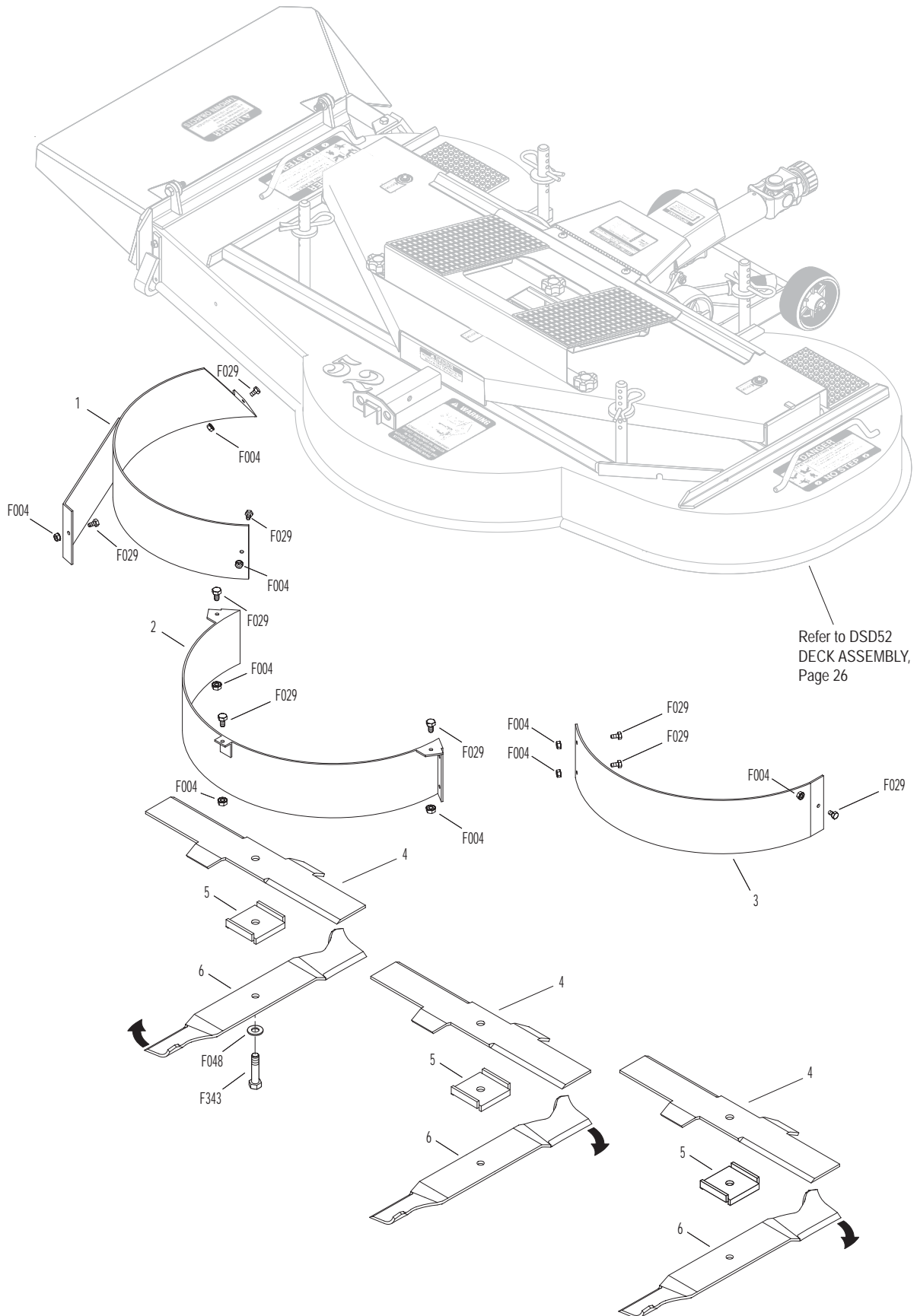
Fasteners

F004		1/4-20 Keps Nut	9
F029		1/4-20 x 1/2 Hex Bolt	9
F048		1/2 SAE Washer	3
F343		1/2-20 x 2-1/4 Hex Bolt	3

* Service Part Only. Includes 5705-15 Blades (3 Pieces).

NOTE: Reuse Item # 6 from **DSD52 DECK ASSEMBLY**. Refer to **DSD52 DECK ASSEMBLY**, page 26.

MULCHING KIT (FOR DSD52 DECK ASSEMBLY)



56 INCH COMPLETE CARRIER FRAME ASSEMBLY (P/N 6720)

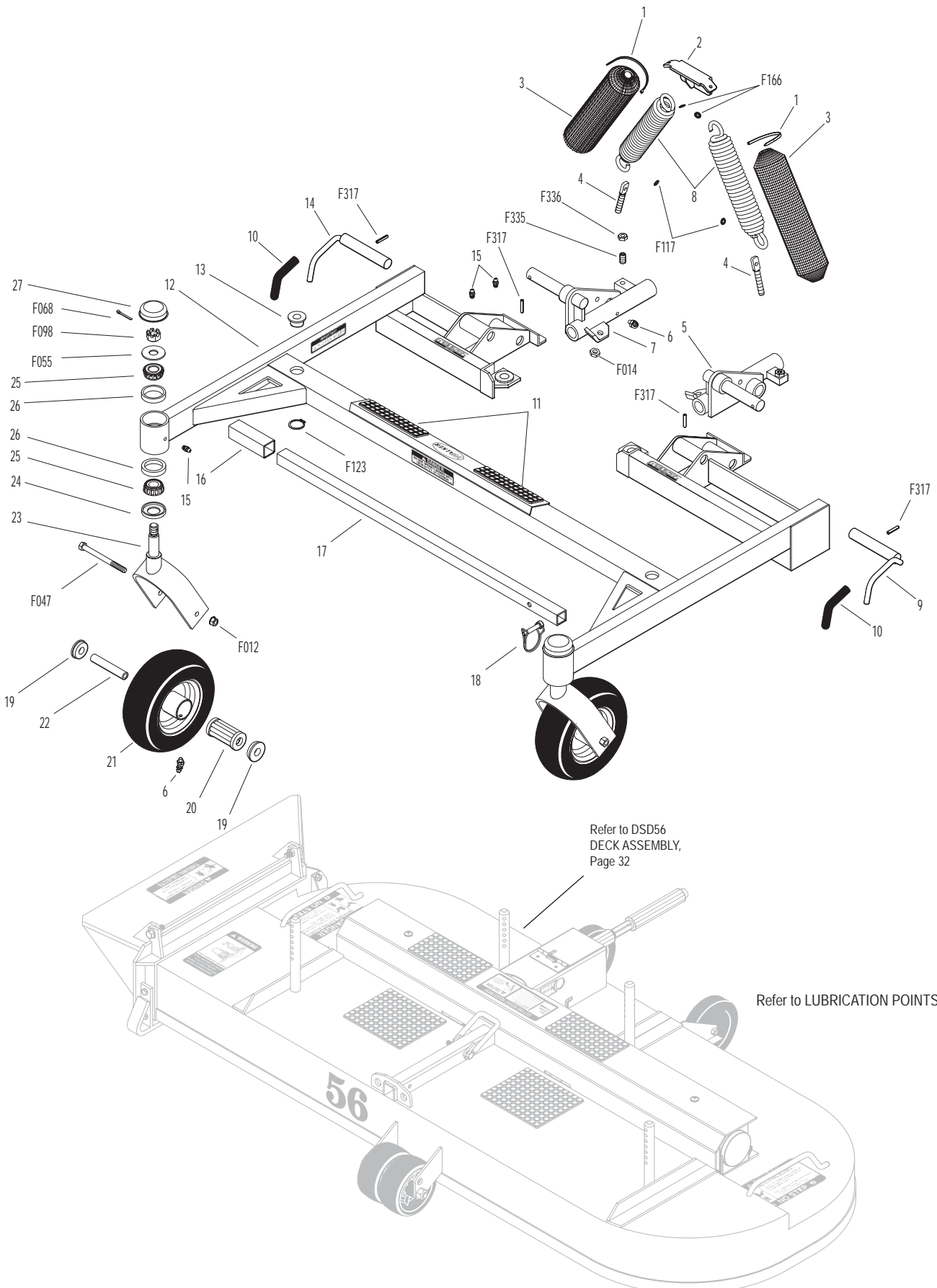
ITEM NO.	PART NO.	DESCRIPTION	NO. REQ'D	ITEM NO.	PART NO.	DESCRIPTION	NO. REQ'D
Spring and Pivot Mount Components				Caster Wheel Components			
1	5975-3	Cable Tie (50# x 7")	4	19	5714-7	Bearing Cap	4
2	5744-1	Spring Clip Bracket	1	20	5714-5	Bearing, Caster Wheel	2
3	5743-1	Spring Cover	2	21	5715-4	Caster Wheel, Pneumatic (8 x 3.00-4) (Includes Items # 6, 19 & 20)	2
4	5743-3	Eyebolt (3/8-16 x 2)	2		5715-10	Tire, Pneumatic (8 x 3.00-4)	*
5	8667-10	Pivot Mount, LH/Adj.	1		5715-9	Tire Tube, Pneumatic (2.80/2.50-4)	*
6	5830-3	Grease Fitting (45 Degree)	4		5715-3	Caster Wheel & Tire (8 x 3.00-4)	**
7	8667-20	Pivot Mount, RH/Adj.	1		5715-11	Tire, Caster Wheel/No-Flat (8 x 3.00-4)	**
8	5743-6	Extension Spring (1-1/2 x 7-3/4) (Includes Items # 1, F117 & F166)	2	22	5714-3	Axle Spacer Tube	2
Carrier Frame Components				23	5770-1	Caster Wheel Fork	2
9	8674-11	Lever, Deck Lock, LH	1	24	8768-1	Seal (1-3/4 x 1-1/8)	2
10	7406-1	Handle Grip, Red	2	25	8037	Bearing, Cone (3/4 ID)	4
11	5748-10	Rubber Mat (1-1/2 x 6)	2	26	8769-1	Bearing Cup (1-3/4 x 1-7/16)	4
12	6720-1	56 SD Carrier Frame (Includes Item # 11)	1	27	8769-9	Dust Cap	2
13	5740-2	Deck Pin Bushing (5/8)	4	Fasteners			
14	8674-10	Lever, Deck Lock, RH	1		F012	3/8-16 Keps Nut	2
15	5830	Grease Fitting	6		F014	3/8-16 ESNA Nut	2
16	5850-5	Handle Grip (1 x 1 x 3-3/4)	1		F047	3/8-16 x 4-1/2 Hex Bolt	2
17	6811-25	Tilt Bar With Grip (30") (Includes Item # 16)	1		F055	5/8 SAE Washer	2
18	7775-5	Lock Pin (5/16)	1		F068	1/8 x 1 Cotter Pin	2
					F098	5/8-18 Slotted Hex Nut	2
					F117	Retainer Ring	2
					F123	1" External Snap Ring	4
					F166	Retainer Ring	2
					F317	3/16 x 1 Split Spring Pin	4
					F335	3/8-16 x 7/8 Set Screw, SS	2
					F336	3/8-16 Jam Nut	2

* Service Part Only

** May be ordered as a factory-installed option or as a kit for dealer installation. Contact your Walker Dealer.

NOTE: When installing Item # 8 on decks prior to S/N DX-62875, the swivel hook end should be attached to the deck carrier frame.

56 INCH COMPLETE CARRIER FRAME ASSEMBLY (P/N 6720)



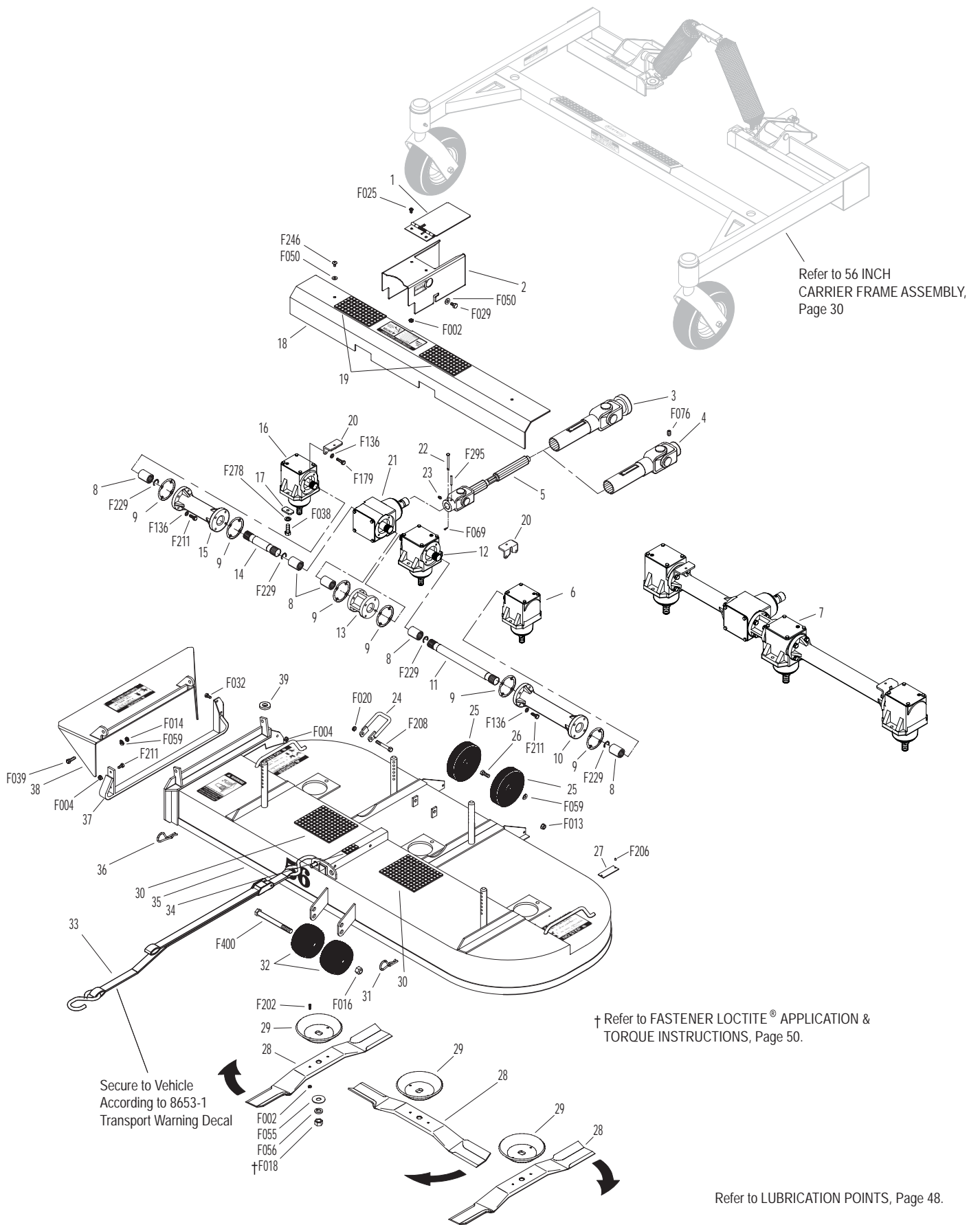
DSD56 DECK ASSEMBLY (P/N 6720-20)

ITEM NO.	PART NO.	DESCRIPTION	NO. REQ'D	ITEM NO.	PART NO.	DESCRIPTION	NO. REQ'D
Gearbox and Drive Components				36	7775-2	Hitch Pin, RH (Gold) #6	2
1	8618-1	Cover, PTO Shaft Guard	1	37	6707-6	56 SD Skid Bar	1
2	8619-2	PTO Shaft Guard	1	38	6705-8	56 SD Discharge Shield	1
	8618-3	PTO Shaft Guard Assembly (Includes Items # 1, 2, F002 & F025)	*	39	5727-1	Washer Shim (5/8 ID)	4
3	7275-16	U-Joint Tube Assy, Spline	1	Fasteners			
4	5275-15	U-Joint Tube Assy (9.5" OAL), Spline (Includes Item # F076)	1	F002	10-24 Keps Nut		8
5	5285-15	U-Joint Shaft Assy, 90 Degree, Spline (Includes Items # 22, F069 & F295)	1	F004	1/4-20 Keps Nut		4
6	5052-6	Heavy Duty Gearbox/LH (1:1.2 Ratio)	1	F013	3/8-16 Whiz Locknut		2
7	6701-51	56SD Gearbox - Tube Assembly/Cstlrn (Includes Items # 8-20, F138, F179 & F211)	1	F014	3/8-16 ESNA Nut		2
8	6054	Spline Coupling	5	F016	1/2-13 Self-Locking Nut		1
9	P007	Gasket, Cap (Peerless #788030)	6	F018	5/8-18 Hex Nut		3
10	5069	Gearbox Connector Tube (14-1/2)	1	F020	5/16-18 ESNA Nut		1
11	6732-9	Connecting Shaft (12-1/8)	1	F025	10-24 x 3/8 PPHMS		2
12	5058-6	Heavy Duty Tee Gearbox (1:1.2 Ratio)	1	F029	1/4-20 x 1/2 Hex Bolt		2
13	5060	Gearbox Connector Tube (2-5/16)	1	F032	1/4-20 x 3/4 Hex Bolt		2
14	6732-3	Connecting Shaft (6-1/4)	1	F038	3/8-16 x 1 Hex Bolt		6
15	5063	Gearbox Connector Tube (8-5/8)	1	F039	3/8-16 x 1-1/4 Hex Bolt		8
16	5053-6	Heavy Duty Gearbox/RH (1:1.2 Ratio)	1	F050	1/4 SAE Washer		4
17	5052-3	1.375 x .750 x .187 Washer	6	F055	5/8 SAE Washer		3
18	6786	56 SD Gearbox Cover (Includes Item # 19)	1	F056	5/8 Split Lock Washer		3
19	5747-10	Rubber Mat, No-Hole (3 x 6)	2	F059	3/8 Wave Spring Washer		4
20	5704-1	Gearbox Cover Support	2	F069	3/32 x 1/2 Cotter Pin		1
21	5051-6	Heavy Duty Tee Gearbox, Shear	1	F076	3/8-16 x 5/8 SQH Set Screw		*
22	8067-13	Shear Pin w/Cotter (Set of 5) (Includes Item # F069)	*	F136	AN960C416L Washer		24
23	5830	Grease Fitting	1	F179	1/4-20 x 1 Hex Bolt		4
Deck Housing Components				F202	10-24 x 5/8 SHC Screw, GR5 SS		6
24	8670-8	Tilt-Up Hook	1	F206	#2 x 3/16 Drive Pin		2
25	5162-11	Roller Wheel (5" Poly) (Includes Item # F059)	2	F208	5/16-18 x 2-1/4 Hex Bolt		1
26	8490	Roller Wheel Axle Bolt	2	F211	1/4-20 x 7/8 Hex Bolt		26
27	NS	Deck Serial Number Plate	1	F229	C-Clip (13/16)		4
28	5705-0	Blade, 20" (RH Rotation)	3	F246	1/4-20 x 1/2 PTHMS		2
	5705-9	56 SD Blade Set with Hubs (Includes Items # 28, 29, F002 & F202)	*	F278	3/8 Split Lock Washer		6
29	5706	Blade Hub & Trash Guard	3	F295	3/16 x 1-1/2 Split Spring Pin		1
30	8735-10	Rubber Mat (5 x 6)	2	F400	1/2-13 x 5-1/2 Hex Bolt		1
31	7775-1	Hitch Pin, LH (Silver) #6	2	* Service Part Only			
32	6715	Roller Wheel (3-7/8)	2	NOTE: Order Item # 3 to use the splined deck PTO shaft with Model MT, MD, MC and MW.			
33	8910-5	Tie Down Strap	2	NOTE: Order Item # 4 to use the splined deck PTO shaft with Model MB.			
34	8788-1	Rubber Mat (1 x 2)	1				
35	6720-10	56 SD Deck Housing (Includes Items # 30 & 34)	1				

Use only genuine Walker® replacement parts.

Effective Date 07-01-06

DSD56 DECK ASSEMBLY (P/N 6720-20)



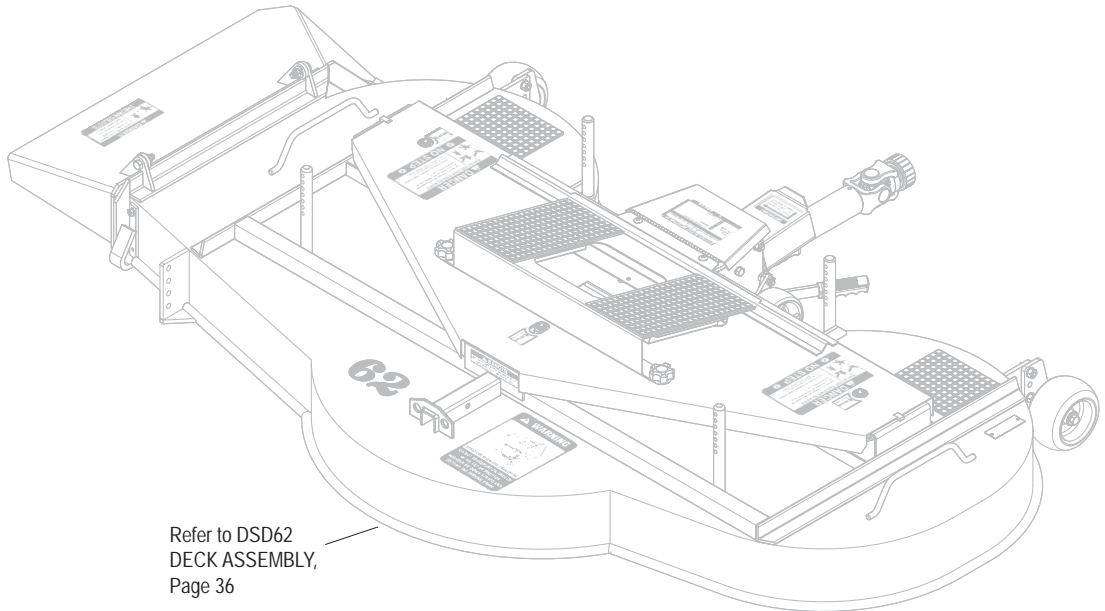
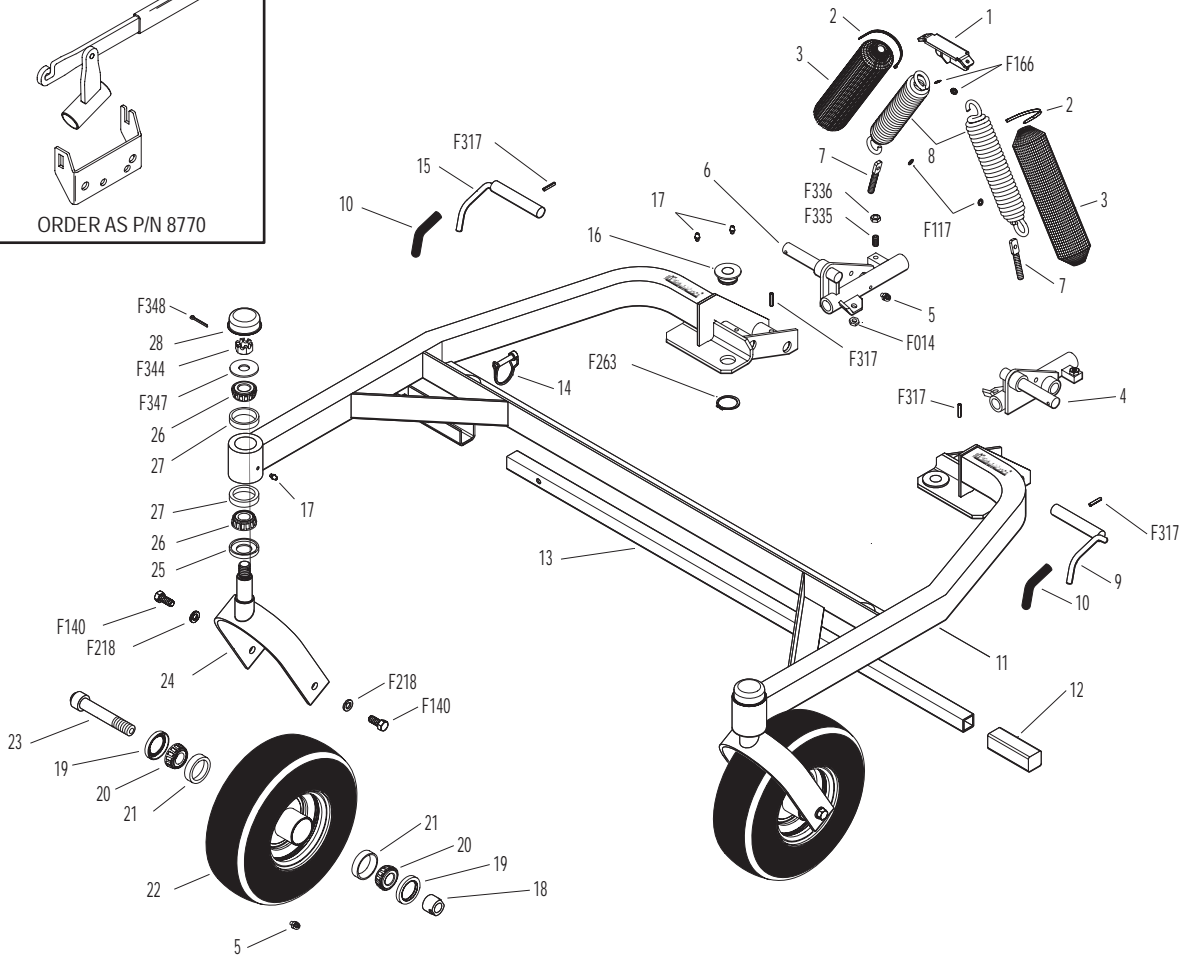
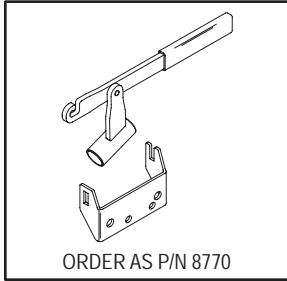
62 INCH COMPLETE CARRIER FRAME ASSEMBLY (P/N 8911)

ITEM NO.	PART NO.	DESCRIPTION	NO. REQ'D	ITEM NO.	PART NO.	DESCRIPTION	NO. REQ'D
Spring and Pivot Mount Components				Caster Wheel Components			
1	5744-1	Spring Clip Bracket	1	18	8766	Axle Nut (3/4-16)	2
2	5975-3	Cable Tie (50# x 7")	4	19	8768-2	Seal, Caster Wheel	4
3	5743-1	Spring Cover	2	20	8037	Bearing Cone (3/4 ID)	4
4	8667-10	Pivot Mount, LH/Adj.	1	21	8037-2	Bearing Race	4
5	5830-3	Grease Fitting (45 Degree)	4	22	8768	Caster Wheel, Pneumatic (11 x 4.00-5) (Includes Items # 5 & 21)	2
6	8667-20	Pivot Mount, RH/Adj.	1		8768-3	Tire, Pneumatic (11 x 4.00-5)	*
7	5743-4	Eyebolt (3/8-16 x 2-3/4)	2		8768-5	Caster Wheel (5 x 3)	*
8	5743-6	Extension Spring (1-1/2 x 7-3/4) (Includes Items # 2, F117 & F166)	2	23	8767	Axle, Caster Wheel (5-1/8)	2
Carrier Frame Components				24	8765-10	Caster Wheel Fork	2
9	8674-11	Lever, Deck Lock, LH	1	25	8769-7	Seal	2
10	7406-1	Handle Grip (Red)	2	26	8769-6	Bearing Cone (1" ID)	4
11	8911-12	62 SD Carrier Frame	1	27	8769-5	Bearing Cup	4
	8911-10	62 SD Carrier Frame, w/ Pivots (Includes Items # 4, 6, 9, 15, F317, F335 & F336)	*	28	8769-8	Dust Cap	2
12	5850-5	Handle Grip (1 x 1 x 3-3/4)	1	Fasteners			
13	8911-25	Tilt Bar With Grip (42-1/2) (Includes Item # 12)	1	F014	3/8-16 ESNA Nut		2
14	7775-5	Lock Pin (5/16)	1	F117	Retainer Ring		2
15	8674-10	Lever, Deck Lock, RH	1	F140	7/16-14 x 1 Hex Bolt		4
16	8740	Deck Pin Bushing (3/4 ID)	4	F166	Retainer Ring		2
17	5830	Grease Fitting	6	F218	7/16 Split Lock Washer		4
				F263	1-1/4 External Snap Ring		4
				F317	3/16 x 1 Split Spring Pin		4
				F335	3/8-16 x 7/8 Set Screw, SS		2
				F336	3/8-16 Jam Nut		2
				F344	3/4-16 Slotted Hex Nut		2
				F347	3/4 SAE Washer		2
				F348	1/8 x 1-1/2 Cotter Pin		2

* Service Part Only

NOTE: The E-Z Pin Puller P/N 8770 can be ordered to assist removing and installing height adjustment hitch pins on larger decks. This item stows on tractor when not in use.

62 INCH COMPLETE CARRIER FRAME ASSEMBLY (P/N 8911)



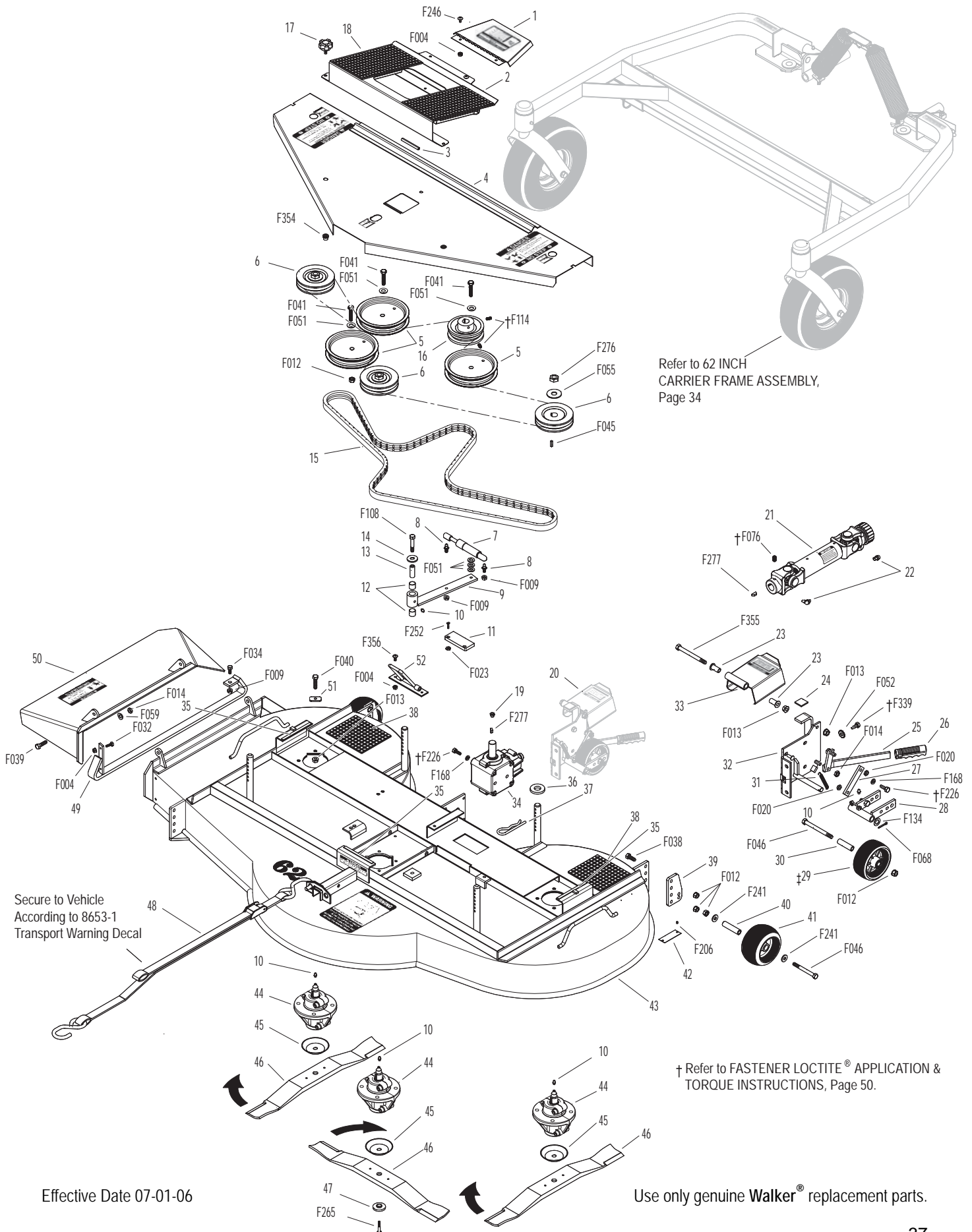
DSD62 DECK ASSEMBLY (P/N 8910)

ITEM NO.	PART NO.	DESCRIPTION	NO. REQ'D	ITEM NO.	PART NO.	DESCRIPTION	NO. REQ'D	
Blade Drive Components				43	8910-10	62 SD Deck Housing (Includes Items # 35 & 38)	1	
1	8789-5	Pulley Guard	1	44	8052	Blade Spindle (Includes Item # 13)	3	
2	8786-15	Footrest Assembly (Includes Item # 18)	1	45	8739	Spindle Shield	3	
3	NS	Edge Molding	2	46	5705-3	Blade, 22" (RH Rotation)	3	
4	8785-10	62 SD Cover Plate	1		5705-13	62 SD Blade Set	*	
5	8245	Idler Pulley (6")	3	47	8728	Machine Bushing (1/2 x 1-1/2)	3	
6	8240	Blade Drive Pulley (4-1/2)	3	48	8910-5	Tie-Down Strap (Used to secure deck in tilt-up position during transport)	2	
7	8762	Dampening Spring (Gas)	1					
8	5146	10mm Ball Stud	2	49	8707	52/62 SD Skid Bar	1	
9	8373-3	Idler Arm (2-Hole)	1	50	8709	52/62 SD Discharge Shield	1	
10	5830	Grease Fitting	5	51	5052-3	1.375 x .750 x .187 Washer	12	
11	8374-1	Idler Arm Guide	1	52	8670-10	Tilt-Up Hook	1	
12	7201-3	DU Bearing	2	Fasteners				
13	7201-4	Inner Race (1-1/2)	1		F004	1/4-20 Keps Nut	6	
14	5841	Retainer Washer (3/8 x 1-1/4)	1		F009	5/16-18 Whiz Locknut	3	
15	8731	Blade Drive Belt, (2/3VX1180)	1		F012	3/8-16 Keps Nut	11	
16	6240-2	Drive Pulley (4-1/2 / 3V) (Includes Items # F114 & F277)	1		F013	3/8-16 Whiz Locknut	14	
17	8787	Deck Cover Knob	3		F014	3/8-16 ESNA Nut	3	
18	8786-10	Rubber Mat (6 x 10-1/2)	2		F020	5/16-18 ESNA Nut	2	
Gearbox and Dolly Wheel Components						F023	10-24 ESNA Nut	2
19	6206	Pressure Relief Valve	1		F032	1/4-20 x 3/4 Hex Bolt	2	
20	8745-25	Dolly Wheel/PTO Guard Assembly (Includes Items # 23, 24, 26, 29, 30, 33, F012, F013, F046, F047, F052, F168, F226, F339 & F355)	*		F034	5/16-18 x 3/4 Hex Bolt	1	
21	8285-20	U-Joint Shaft Assy, T-Scope (Includes Items # 22, F076 & F277)	1		F038	3/8-16 x 1 Hex Bolt	6	
22	5830-3	Grease Fitting (45 Degree)	2		F039	3/8-16 x 1-1/4 Hex Bolt	2	
23	5103-4	Pivot Bushing (3/8 ID)	2		F040	3/8-16 x 1-1/2 Hex Bolt	12	
24	8788	Rubber Bumper (Self-Adhesive Mount)	1		F041	3/8-16 x 1-3/4 Hex Bolt	3	
25	8745-14	Retract Lever	1		F045	3/16 x 3/16 x 3/4 Key	3	
26	5850-1	Handle Grip	1		F046	3/8-16 x 3-1/2 Hex Bolt	4	
27	8745-12	Actuator Link	1		F051	3/8 SAE Washer	6	
28	8745-13	Dolly Wheel Mount (Includes Item # 10)	1		F052	5/16 External Star Lock Washer	2	
29	6715	Roller Wheel (3-7/8)	1		F055	5/8 SAE Washer	3	
30	8745-15	Axle Spacer Tube	1		F059	3/8 Wave Spring Washer	2	
31	5229	Extension Spring (1/2 x 2-1/4)	1		F068	1/8 x 1 Cotter Pin	1	
32	8745-20	Mount Bracket (Includes Items # 24, F052, F068 & F339)	1		F076	3/8-16 x 5/8 SQH Set Screw	1	
33	8745-40	PTO Cover Plate	1		F108	3/8-16 x 2 Hex Bolt	1	
34	8051-10	Right Angle Gearbox (Includes Item # 19)	1		F114	5/16-18 x 5/8 SQH Set Screw	2	
Deck Housing Components						F134	AN960816L Washer	1
35	8790	Rubber Cushion Strip	3		F168	5/16 Split Lock Washer	8	
36	8727	Washer Shim (13/16 x 1/4)	4		F206	#2 x 3/16 Drive Pin	2	
37	8775	Hitch Pin (#219)	4		F226	5/16-18 x 7/8 Hex Bolt	8	
38	8735-10	Rubber Mat (5 x 6)	2		F241	.375 x .875 x .10 Washer	6	
39	8720-30	Anti-Scalp Wheel Mount	3		F246	1/4-20 x 7/8 PTHMS	2	
40	8745-30	Axle Spacer Tube	3		F252	10-24 x 3/4 PFHMS	2	
41	6715-1	Roller Wheel (5")	3		F265	1/2-20 x 1-1/2 Hex Bolt	3	
42	NS	Deck Serial Number Plate	1		F276	5/8-11 Jam Nut	3	
					F277	3/16 x 5/8 Woodruff Key (#605)	2	
					F339	5/16-18 x 3/4 Self-Tapping Bolt	2	
					F354	Knurled Thread Insert 5/16	2	
					F355	3/8 x 16 x 4 Hex Bolt	1	
					F356	1/4-20 x 5/8 PTHMS	2	
				*	Service Part Only			

Use only genuine Walker® replacement parts.

Effective Date 07-01-06

DSD62 DECK ASSEMBLY (P/N 8910)



Effective Date 07-01-06

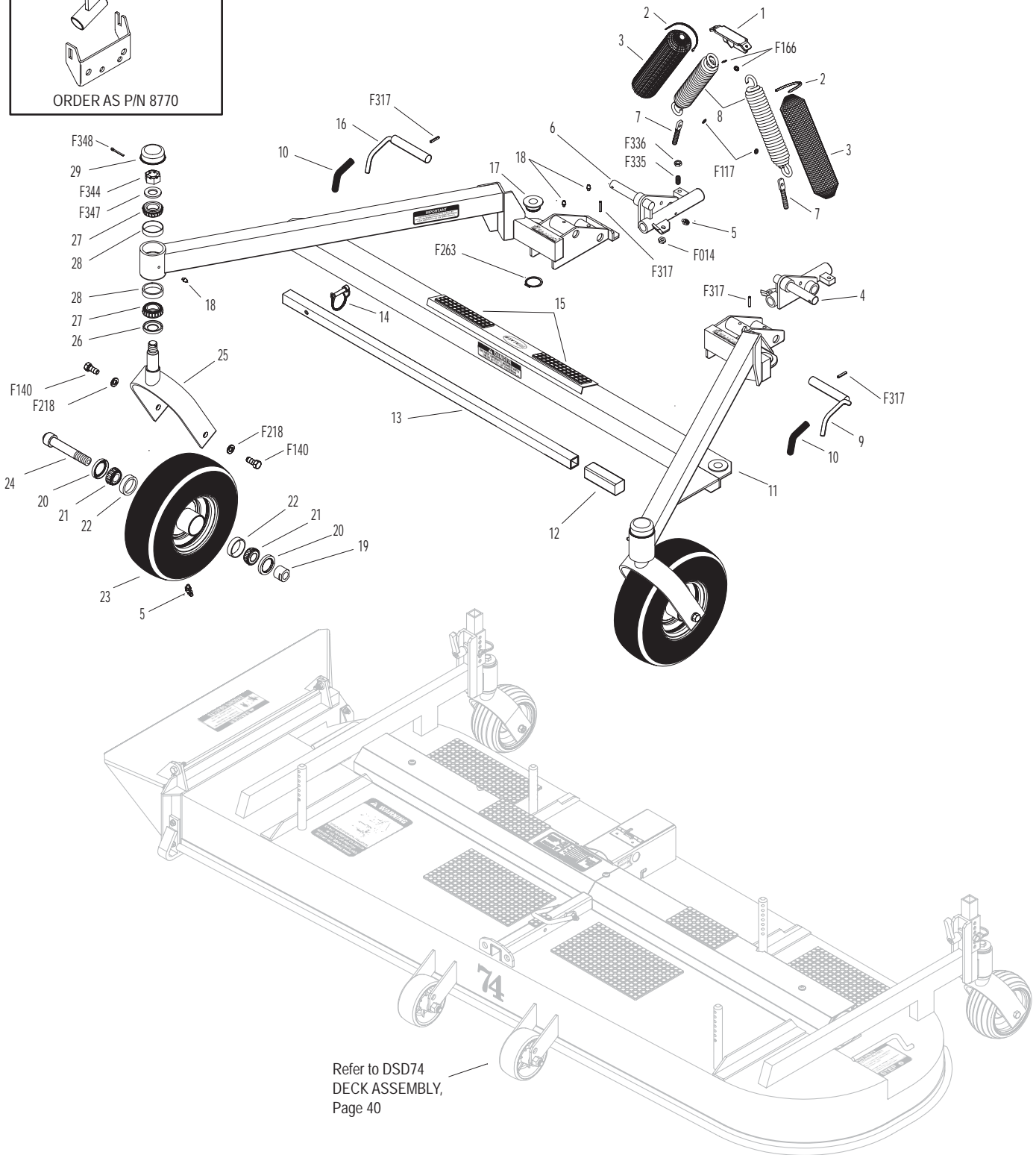
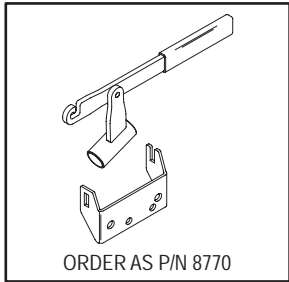
74 INCH COMPLETE CARRIER FRAME ASSEMBLY (P/N 7803)

ITEM NO.	PART NO.	DESCRIPTION	NO. REQ'D	ITEM NO.	PART NO.	DESCRIPTION	NO. REQ'D
Spring and Pivot Mount Components				Caster Wheel Components			
1	5744-1	Spring Clip Bracket	1	19	8766	Axle Nut (3/4-16)	2
2	5975-3	Cable Tie (50# x 7")	4	20	8768-2	Seal, Reverse Lip	4
3	5743-1	Spring Cover	2	21	8037	Bearing Cone (3/4 ID)	4
4	8667-10	Pivot Mount, LH/Adj.	1	22	8037-2	Bearing Race	4
5	5830-3	Grease Fitting (45 Degree)	4	23	8768	Caster Wheel, Pneumatic (11 x 4.00-5)	2
6	8667-20	Pivot Mount, RH/Adj.	1			(Includes Items # 5 & 21)	
7	5743-4	Eyebolt (3/8-16 x 2-3/4)	2		8768-3	Tire, Pneumatic (11 x 4.00-5)	*
8	5743-6	Extension Spring (1-1/2 x 7-3/4) (Includes Items # 2, F117 & 166)	2		8768-5	Caster Wheel (5 x 3)	*
Carrier Frame Components				24	8767	Axle, Caster Wheel (5-1/8)	2
9	8674-11	Lever, Deck Lock, LH	1	25	8765-10	Caster Wheel Fork	2
10	7406-1	Handle Grip (Red)	2	26	8769-7	Seal	2
11	7803-1	74 SD Carrier Frame (Includes Item # 15)	1	27	8769-6	Bearing Cone (1" ID)	4
12	5850-5	Handle Grip (1 x 1 x 3-3/4)	1	28	8769-5	Bearing Cup	4
13	8811-25	Tilt Bar with Grip (35") (Includes Item # 12)	1	29	8769-8	Dust Cap	2
14	7775-5	Lock Pin (5/16)	1	Fasteners			
15	5748-10	Rubber Mat (1-1/2 x 6)	2		F014	3/8-16 ESNA Nut	2
16	8674-10	Lever, Deck Lock, RH	1		F117	Retainer Ring	2
17	8740	Deck Pin Bushing (3/4 ID)	4		F140	7/16-14 x 1 Hex Bolt	4
18	5830	Grease Fitting	6		F166	Retainer Ring	2
					F218	7/16 Split Lock Washer	4
					F263	1-1/4 External Snap Ring	4
					F317	3/16 x 1 Split Spring Pin	4
					F335	3/8-16 x 7/8 Set Screw, SS	2
					F336	3/8-16 Jam Nut	2
					F344	3/4-16 Slotted Hex Nut	2
					F347	3/4 SAE Washer	2
					F348	1/8 x 1-1/2 Cotter Pin	2

* Service Part Only

NOTE: The E-Z Pin Puller P/N 8770 can be ordered to assist removing and installing height adjustment hitch pins on larger decks. This item stows on tractor when not in use.

74 INCH COMPLETE CARRIER FRAME ASSEMBLY (P/N 7803)



Effective Date 07-01-06

Use only genuine Walker® replacement parts.

DSD74 DECK ASSEMBLY (P/N 7803-2)

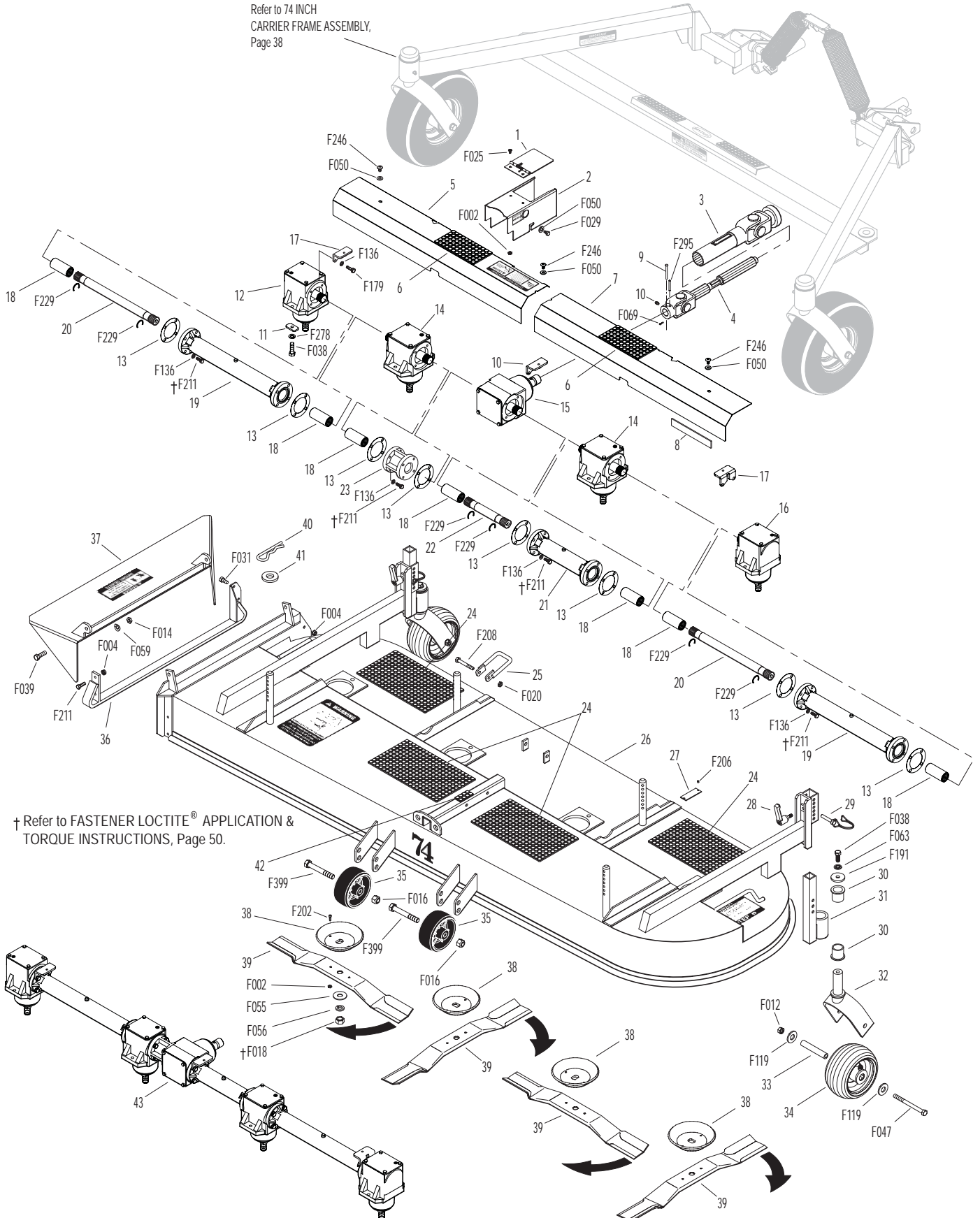
ITEM NO.	PART NO.	DESCRIPTION	NO. REQ'D	ITEM NO.	PART NO.	DESCRIPTION	NO. REQ'D
Gearbox and Drive Components				35	6715	Roller Wheel (3-7/8)	2
1	8618-1	Cover, PTO Shaft Guard	1	36	7807-1	74 SD Skid Bar	1
2	8619	PTO Shaft Guard	1	37	7809-1	74 SD Discharge Shield	1
	8618	PTO Shaft Guard Assembly (Includes Items # 1, 2, F002 & F025)	*	38	5706	Blade Hub & Trash Guard	4
3	7275-16	U-Joint Tube Assy, Spline	1	39	5705-0	Blade 20" (RH Rotation)	4
4	5285-15	U-Joint Shaft Assy, 90 Degree, Spline (Includes Items # F069 & F295)	1		5705-16	74 SD Blade Set with Hubs (Includes Items # 38, 39, F002 & F202)	*
5	7865-6	74 SD Gearbox Cover/RH (Includes Items # 6 & 8)	1	40	8775	Hitch Pin (#219)	4
6	5747-10	Rubber Mat, No-Hole (3 x 6)	2	41	8727	Washer Shim (13/16 x 1/4)	4
7	7865-5	74 SD Gearbox Cover/LH (Includes Items # 6 & 8)	1	42	8788-1	Rubber Mat (1 x 2)	1
8	8790	Rubber Cushion Strip	2	43	5704-32	74 GB-Tube Assembly/Cast Iron (Includes Items # 5-8, 12-23 & F229)	1
9	8067-13	Shear Pin w/Cotter (Set of 5) (Includes Item # F069)	1	Fasteners			
10	5830	Grease Fitting	1		F002	10-24 Keps Nut	10
11	5052-3	1.375 x .750 x .187 Washer	8		F004	1/4-20 Keps Nut	4
Heavy Duty Drive Components					F012	3/8-16 Keps Nut	2
12	5053-6	Blade Drive Gearbox/RH (1:1.2) Cast Iron	1		F014	3/8-16 ESNA Nut	2
13	P007	Gasket, Cap (P#788030)	8		F016	1/2-13 Self-Locking Nut	2
14	5058-6	Tee Gearbox Blade Drive (1:1.2) Cast Iron	2		F018	5/8-18 Hex Nut	4
15	5051-6	Tee Gearbox, Shear Cast Iron	1		F020	5/16-18 ESNA Nut	1
16	5052-6	Blade Drive Gearbox/LH (1:1.2) Cast Iron	1		F025	10-24 x 3/8 PPHMS	2
17	5704-1	Gearbox Cover Support	3		F029	1/4-20 x 1/2 Hex Bolt	2
18	6054	Spline Coupling	7		F031	1/4-20 x 5/8 Hex Bolt	2
19	5069	Connector Tube (14-1/2)	2		F038	3/8-16 x 1 Hex Bolt	10
20	6732-9	Connecting Shaft (12-1/8)	2		F039	3/8-16 x 1-1/4 Hex Bolt	2
21	5063	Connector Tube (8-5/8)	1		F047	3/8-16 x 4-1/2 Hex Bolt	2
22	6732-3	Connecting Shaft (6-1/4)	1		F050	1/4 SAE Washer	5
23	5060	Connector Tube (2-5/16)	1		F055	5/8 SAE Washer	4
Deck Housing Components					F056	5/8 Split Lock Washer	4
24	8786-10	Rubber Mat (6 x 10-1/2)	4		F059	3/8 Wave Spring Washer	2
25	8670-8	Tilt-Up Hook	1		F063	3/8 Int. Star Lock	2
26	7803-3	74 SD Deck Housing (Includes Items # 24 & 42)	1		F069	3/32 x 1/2 Cotter Pin	1
27	NS	Deck Serial Number Plate	1		F119	Rear Caster Spacer	4
28	7866-1	Lock Lever, Rear Caster	2		F136	AN960C416L Washer	32
29	7775-5	Lock Pin (5/16)	2		F179	1/4-20 x 1 Hex Bolt	6
30	5683	Pivot Bearing	4		F191	3/8 x 1-1/2 x 3/16 Washer	2
31	7866	74 SD Rear Fork Mount (Includes Item # 30)	2		F202	10-24 x 5/8 SHC Screw, GR5 SS	8
32	7870	74 SD Rear Fork	2		F206	#2 x 3/16 Drive Pin	2
33	5714-3	Axle Spacer Tube	2		F208	5/16-18 x 2-1/4 Hex Bolt	1
34	7868	74 SD Caster Wheel/Rear	2		F211	1/4-20 x 7/8 Hex Bolt	24
					F229	C-Clip (13/16)	6
					F246	1/4-20 x 1/2 PTHMS	3
					F278	3/8 Split Lock Washer	8
					F295	3/16 x 1-1/2 Split Spring Pin	1
					F399	1/2-13 x 3-1/4 Hex Bolt	2
				*	Service Part Only		

Use only genuine Walker® replacement parts.

Effective Date 07-01-06

DSD74 DECK ASSEMBLY (P/N 7803-2)

Refer to 74 INCH
CARRIER FRAME ASSEMBLY,
Page 38



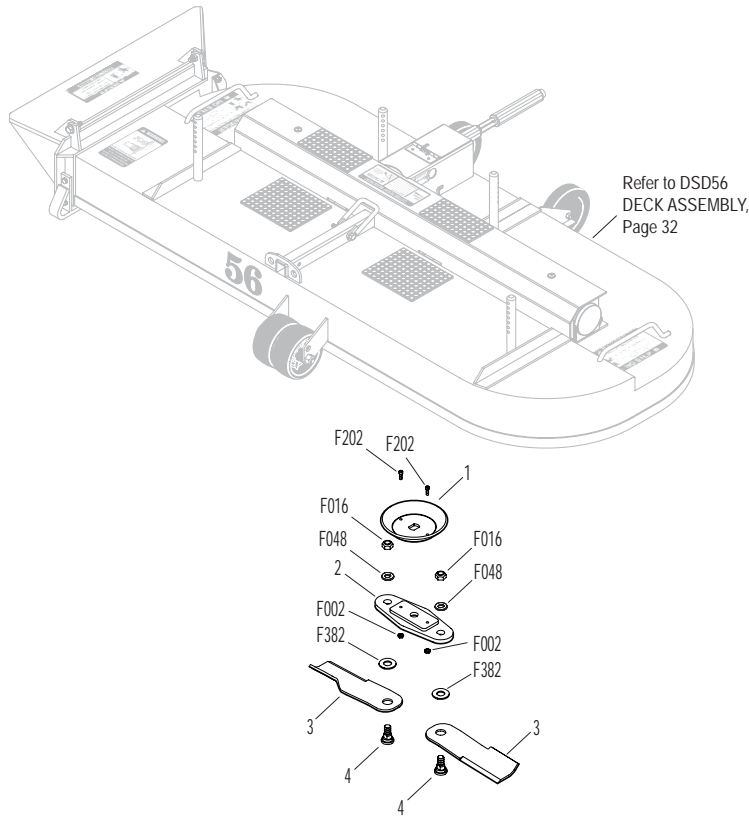
† Refer to FASTENER LOCTITE® APPLICATION & TORQUE INSTRUCTIONS, Page 50.

Effective Date 07-01-06

Use only genuine Walker® replacement parts.

OPTIONAL BREAK-AWAY BLADES

ITEM NO.	PART NO.	DESCRIPTION	NO. REQ'D	ITEM NO.	PART NO.	DESCRIPTION	NO. REQ'D
----------	----------	-------------	-----------	----------	----------	-------------	-----------



DSD 42" Break-Away Blade Kit (5705-33)

1	5706	Blade Hub & Trash Guard	
2	5706-27	Blade Hub, 42"	
3	5705-30	Break Away Blade	
4	5705-17	Special Bolt (1/2-13 x 1-7/16)	

DSD 74" Break-Away Blade Kit (5705-34)

2	1	5706	Blade Hub & Trash Guard	
2	2	5706-26	Blade Hub, 36, 56 & 74	
4	3	5705-30	Break Away Blade	
4	4	5705-17	Special Bolt (1/2-13 x 1-7/16)	8

DSD 48" Break-Away Blade Kit (7705-8)

1	5706	Blade Hub & Trash Guard	
2	5706-25	Blade Hub, 48"	
3	5705-30	Break Away Blade	
4	5705-17	Special Bolt (1/2-13 x 1-7/16)	

Fasteners

2	F002	10-24 Keps Nut	
2	F016	1/2-13 Self-Locking Nut	*
4	F048	1/2 SAE Washer	*
4	F202	10-24 x 5/8 SHC Screw, GR5 SS	*
	F382	Belleville Washer (.650 x 1.36)	*

DSD 56" Break-Away Blade Kit (5705-32)

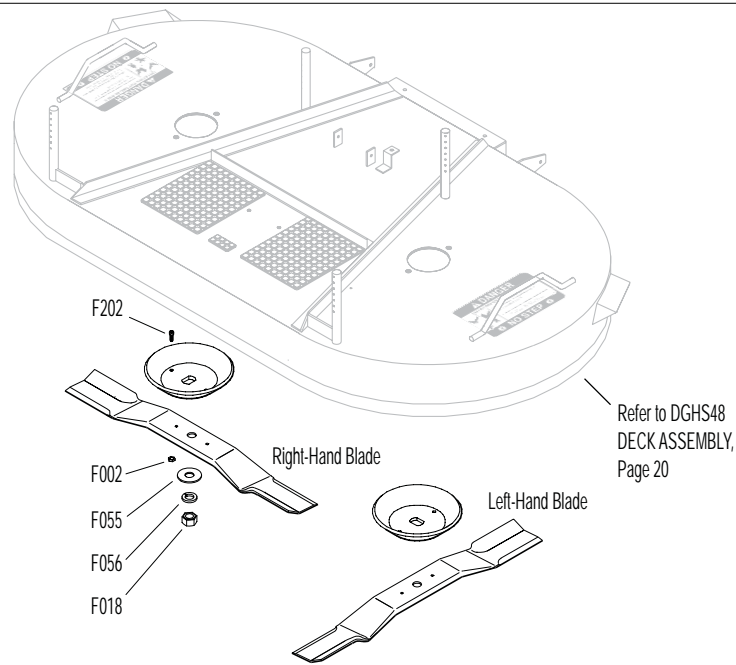
1	5706	Blade Hub & Trash Guard	
2	5706-26	Blade Hub, 36, 56 & 74	
3	5705-30	Break Away Blade	
4	5705-17	Special Bolt (1/2-13 x 1-7/16)	

* Quantities vary

NOTE: Optional blade kit featuring blades mounted on a break-away hub, for use in mowing applications with lots of ground and debris contact, to minimize impact and shock loading.

NOTE: Break-Away blades are designed for use on Side-Discharge decks only.

BLADE USAGE CHART



TWO BLADE DECKS	RH BLADE	LH BLADE	BLADE SET
DGHS36	5705-2	5705-0	5705-6
DSD36	5705-1	5705-1	5705-5
DGHS42	5705-4	5705-3	5705-8
DSD42	5705-3	5705-3	5705-7
DML42A	5705-28	5705-28	5705-19
DGHS48	7705-2	7705-1	7705-3
DSD48	7705-1	7705-1	7705-5

THREE & FOUR BLADE DECKS	SINGLE BLADE	BLADE SET
DSD52	5705-14	8738-7*
DSD52 MULCHING UPPER BLADE	5705-15	8738-7*
DSD52 MULCHING LOWER BLADE	5705-14	8738-8*
DSD56	5705-0	5705-9
DSD62	5705-3	5705-13
DSD74	5705-0	5705-16

Right hand and left hand orientated with operator on seat

All blade sets include 5706 (Blade Hub & Trash Guard), F002 & F202 unless otherwise specified

* Blade set consists of three (3) blades

Effective Date 07-01-06

Use only genuine Walker® replacement parts.

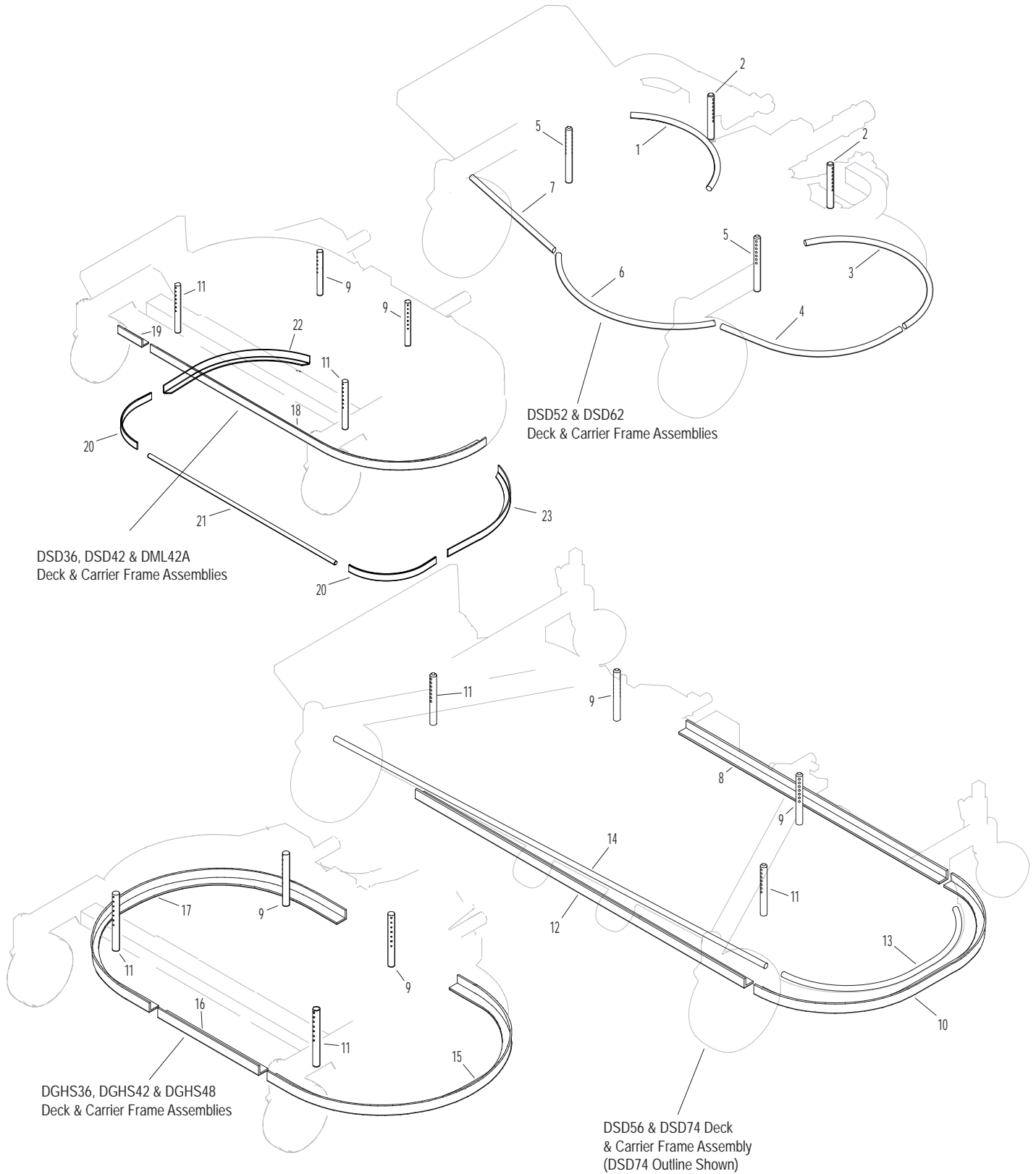
DECK WELDMENT REPLACEMENT PARTS

ITEM NO.	PART NO.	DESCRIPTION	LOCATION	NO. REQ'D
NOTE: All parts listed in this section are for Weld-On Repair; Cutting, Grinding, and Welding are required to replace these parts.				
DSD52 & DSD62 Weldments				
1	8733-3	Rim Rod, RH Rear (20-3/4)	DSD52	1
	8751-2	Rim Rod, RH Rear (28-3/8)	DSD62	1
2	8760-2	Rear Deck Pin (3/4 x 5-3/4)	DSD52, DSD62 & DSD74	2
3	8733-63	Rim Rod, LH Rear (28-3/4)	DSD52	1
	8751-3	Rim Rod, LH Rear (34-3/8)	DSD62	1
4	8733-5	Rim Rod, LH Front (22-7/8)	DSD52	1
	8751-4	Rim Rod, LH Front (28-5/16)	DSD62	1
5	8760-1	Front Deck Pin (3/4 x 7-5/8)	DSD52 & DSD62	2
6	8733-61	Rim Rod, Front Center (26-5/8)	DSD52	1
	8751-5	Rim Rod, Front Center (29-1/4)	DSD62	1
7	8733-10	Rim Rod, RH Front (16-1/4)	DSD52	1
	8751-6	Rim Rod, RH Front (19-1/4)	DSD62	1
DSD56 Weldments				
8	6752-1	Deck Cap Strip, 56SD Rear (33-5/16)	DSD56	1
9	5760-4	Rear Deck Pin (5/8 x 5-3/8)	All Decks Except DSD52, DSD62 & DSD74	2
10	6752-6	Deck Cap Strip, 56SD LH (39")	DSD56 & DSD74	1
11	5760-7	Front Deck Pin (5/8 x 5-3/4)	DSD56	2
12	6752-4	Deck Cap Strip, 56SD Front (42")	DSD56	1
DSD74 Weldments				
9	8760-2	Rear Deck Pin (3/4 x 5-3/4)	DSD52, DSD62 & DSD74	2
11	7865-18	Front Deck Pin (3/4 x 6-5/8)	DSD74	2
13	8751-7	Rim Rod, LH	DSD74	1
14	8751-8	Rim Rod, Front (13-1/2)	DSD74	1
DGHS Weldments				
9	5760-4	Rear Deck Pin (5/8 x 5-3/8)	All Decks Except DSD52, DSD62 & DSD74	2
11	5760-3	Front Deck Pin (5/8 x 5-3/4)	All Decks Except DSD52, DSD56, DSD62 & DSD74	2
15	5751-3	Deck Cap Strip, GHS LH (43-3/4)	DGHS36	1
	5751-1	Deck Cap Strip, GHS LH (49-3/8)	DGHS42	1
	7701-10	Edge Stiffener, Side (42-3/8)	DGHS48	2
16	7701-11	Edge Stiffener, Front (21-7/8)	DGHS48	1
17	5751-4	Deck Cap Strip, GHS RH (47-5/8)	DGHS36	1
	5751-2	Deck Cap Strip, GHS RH (49-3/8)	DGHS42	1
DSD & DML Weldments				
9	5760-4	Rear Deck Pin (5/8 x 5-3/8)	All Decks Except DSD52, DSD62 & DSD74	2
11	5760-3	Front Deck Pin (5/8 x 5-3/4)	All Decks Except DSD52, DSD56, DSD62 & DSD74	2
18	5702-6	Deck Cap Strip, (47")	DSD36	1
	5751-5	Deck Cap Strip, 42" SD LH (47")	DSD42	1
19	5751-6	Deck Cap Strip, 42" SD Front (3-9/16)	DSD42	1
20	5751-11	DML42A Edge Stiffener	DML42A	2
21	5751-12	DML42A Front Stiffener	DML42A	1
22	5751-14	DML42A Deck Cap Strip/RH	DML42A	1
23	5751-13	DML42A Deck Cap Strip/LH	DML42A	1

Use only genuine Walker® replacement parts.

Effective Date 07-01-06

DECK WELDMENT REPLACEMENT PARTS



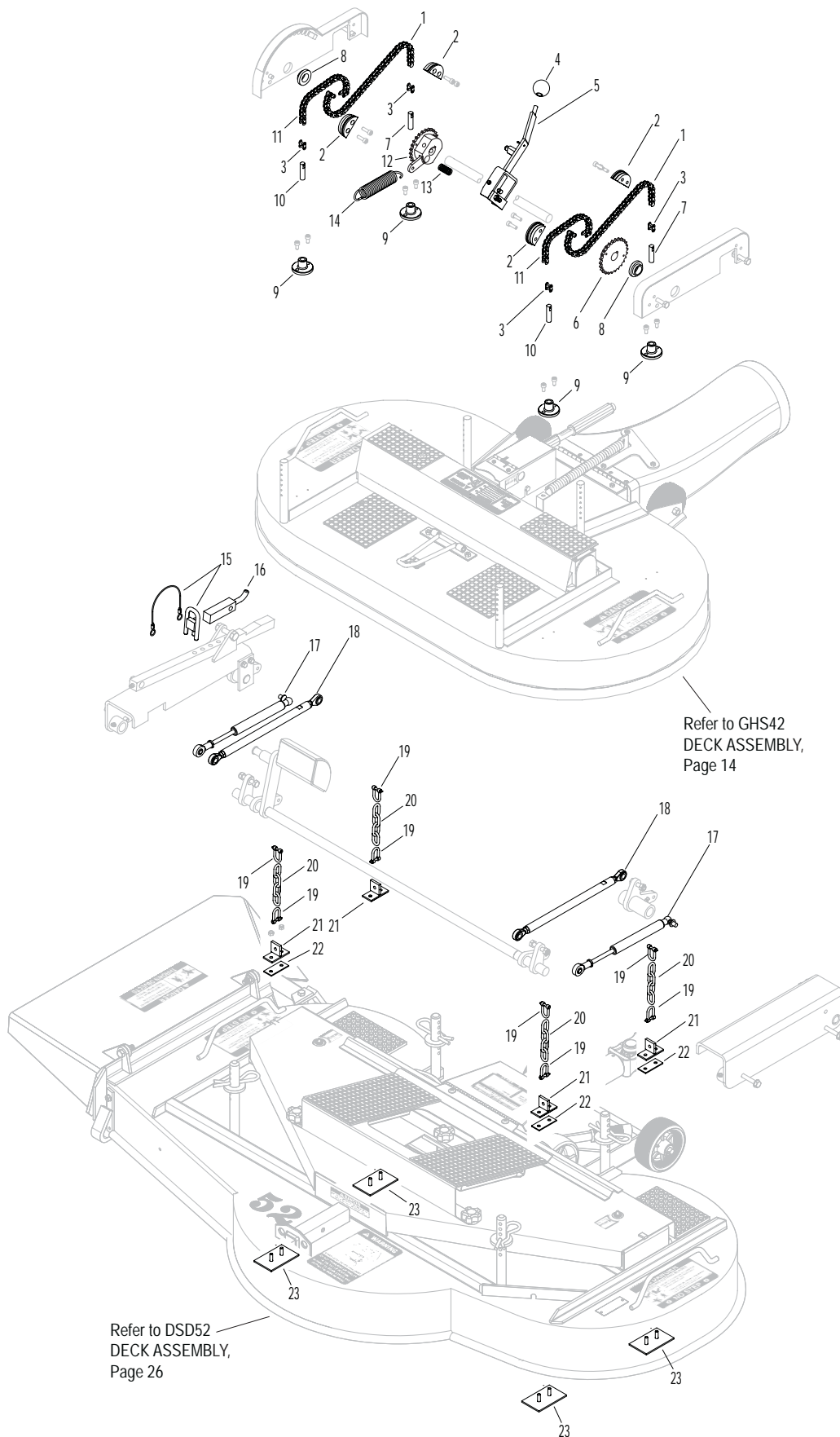
DECK HEIGHT ADJUSTER KIT

ITEM NO.	PART NO.	DESCRIPTION	NO. REQ'D	ITEM NO.	PART NO.	DESCRIPTION	NO. REQ'D
8639 36" Deck Height Adjuster Kit (Shown)				8643 52" Deck Height Adjuster Kit (Shown)			
1	NA			15	8643-8	Height Location Pin/Rope	1
2	8640-2	Chain Guide	4	16	8643-10	Height Locator Block	1
3	8640-4	Joining Link	8	17	8643-2	Gas Spring	2
4	8640-7	Knob, Deck Height Adjuster	1	18	8643-1	Connecting Rod	2
5	8640-8	Handle	1	19	8643-3	Shackle	8
8	8640-3	Bushing	2	20	8643-4	Chain (5 Links)	4
9	8640-6	Mount Block	4	21	8643-5	Chain Anchor Bracket	4
10	8640-5	Chain Anchor, Front	4	22	8643-6	Chain Anchor Spacer	4
11	8640-13	Front Chain (19 Links)	2	23	8643-7	Chain Anchor Doubler	4
13	8640-9	Compression Spring	1				
14	8641-10	Extension Spring, (6-1/4") (48" Carrier Frame)	1				
8640 42" Deck Height Adjuster Kit				8644 62" Deck Height Adjuster Kit			
1	8640-12	Rear Chain	2	15	8643-8	Height Location Pin/Rope	1
2	8640-2	Chain Guide	4	16	8643-10	Height Locator Block	1
3	8640-4	Joining Link	8	17	8643-2	Gas Spring	2
4	8640-7	Knob, Deck Height Adjuster	1	18	8643-1	Connecting Rod	2
5	8640-8	Handle	1	19	8643-3	Shackle	8
6	8640-15	Sprocket, LH (972)	1	20	8643-4	Chain (5 Links)	4
7	8640-11	Chain Anchor, Rear	2	21	8643-5	Chain Anchor Bracket	4
8	8640-3	Bushing	2	22	8643-6	Chain Anchor Spacer	4
9	8640-6	Mount Block	4	23	8643-7	Chain Anchor Doubler	4
10	8640-5	Chain Anchor, Front	2				
11	8640-13	Front Chain (19 Links)	2				
12	8640-14	Sprocket, RH (973)	1				
13	8640-9	Compression Spring (2-3/4)	1				
14	8640-10	Extension Spring (1 x 5-3/8) (42" Carrier Frame)	1				
8641 48" Deck Height Adjuster Kit				NOTE: DML42A Mulching Deck uses the 48" Deck Height Adjuster Kit (P/N 8641).			
1	8641-12	Rear Chain (48" Carrier Frame - 41 Links)	2				
2	8640-2	Chain Guide	4				
3	8640-4	Joining Link	8				
4	8640-7	Knob, Deck Height Adjuster	1				
5	8640-8	Handle	1				
6	8640-15	Sprocket, LH (972)	1				
7	8640-11	Chain Anchor, Rear	2				
8	8640-3	Bushing	2				
9	8640-6	Mount Block	4				
10	8640-5	Chain Anchor, Front	2				
11	8640-13	Front Chain (19 Links)	2				
12	8640-14	Sprocket, RH (973)	1				
13	8640-9	Compression Spring (2-3/4)	1				
14	8641-10	Extension Spring (6-1/4") (48" Carrier Frame)	1				

Use only genuine Walker® replacement parts.

Effective Date 07-01-06

DECK HEIGHT ADJUSTER KIT



LUBRICATION POINTS

ITEM NO.	LOCATION	LUBRICATION TYPE	NO. PLACES
----------	----------	------------------	------------

36", 42", 48" & 56" Assemblies

1	Deck Caster Wheel Fork Pivot	Grease	2
2	Blade Drive Gearbox	Oil*	2
3	Tee Gearbox, Deck	Oil*	1
4	Deck Caster Wheel Bearing	Grease	2
5	Universal Joint Shaft Assembly	Grease**	1
6	Pivot Assembly, Tilt-Up Deck	Grease	4
7	Deck Support Arm Socket	Grease	2

DSD52 & DSD62 Assemblies

1	Deck Caster Wheel Fork Pivot	Grease	2
4	Deck Caster Wheel Bearing	Grease	2
5	Universal Joint Shaft Assembly	Grease**	2
6	Pivot Assembly, Tilt-Up Deck	Grease	4
7	Deck Support Arm Socket	Grease	2
8	Idler Arm, 2-Hole	Grease	1
9	Blade Spindle	Grease	3
10	Right Angle Gearbox	Oil***	1
11	Dolly Wheel Retract Lever and Linkage	Oil	1
12	Dolly Wheel Pivot	Grease	1

ITEM NO.	LOCATION	LUBRICATION TYPE	NO. PLACES
----------	----------	------------------	------------

DSD74 Assemblies

1	Deck Caster Wheel Fork Pivot	Grease	2
2	Blade Drive Gearbox	Oil*	4
3	Tee Gearbox, Deck	Oil*	1
4	Deck Caster Wheel Bearing	Grease	2
5	Universal Joint Shaft Assembly	Grease**	1
6	Pivot Assembly, Tilt-Up Deck	Grease	4
7	Deck Support Arm Socket	Grease	2
14	Rear Deck Caster Wheel Axle	Grease	2

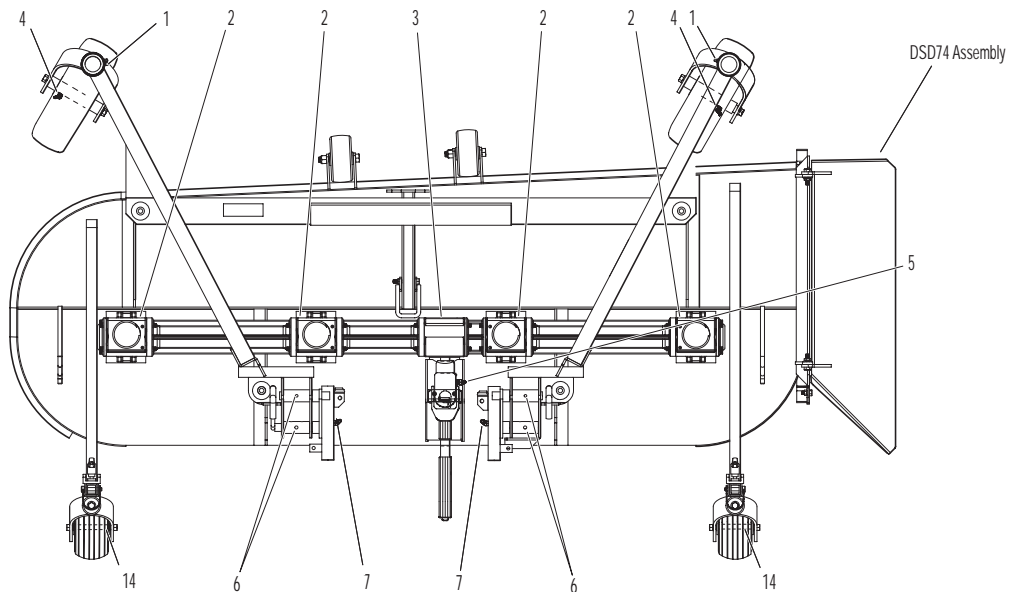
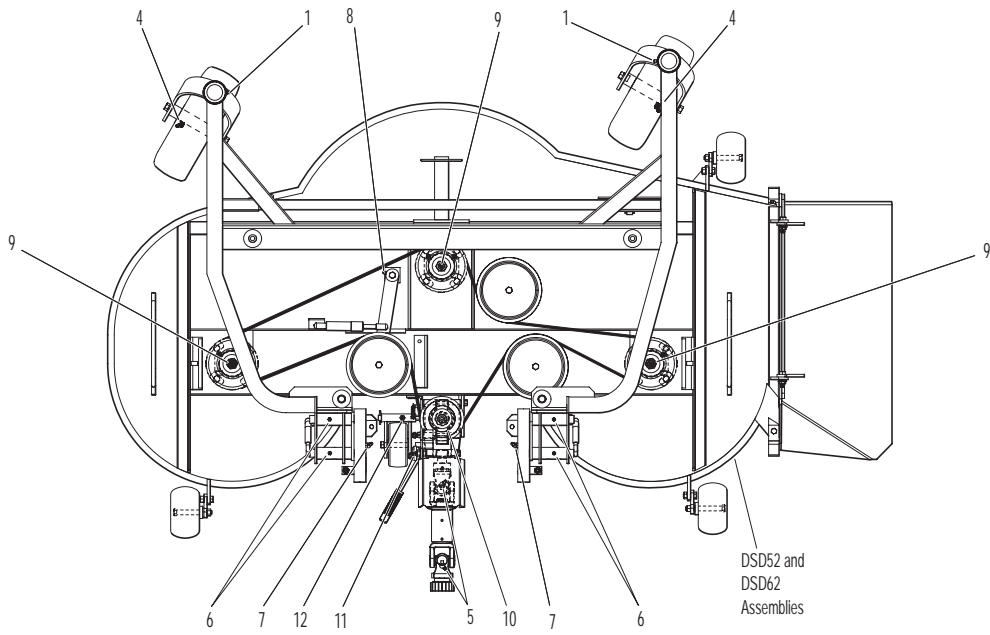
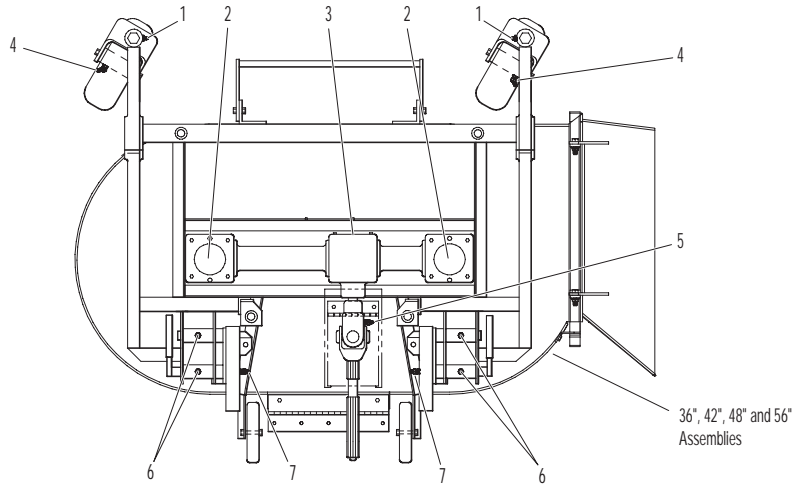
* Gearboxes are permanently lubricated and sealed requiring no scheduled lubrication. Oil level should be checked only when an oil leak is noted.

** Grease every eight (8) hours.

*** Check oil level every 100 hours. Refer to **OWNER'S MANUAL** for Lubrication Instructions.

NOTE: Exact location of some Lubrication Points may vary slightly from those shown in the illustration. Decks shown in the illustration are for reference only; for further information on location of parts not shown here, refer to the parts listings for individual Carrier Frames and Deck Assemblies.

LUBRICATION POINTS



FASTENER LOCTITE® APPLICATION & TORQUE INSTRUCTIONS

ITEM NO.	DESCRIPTION
----------	-------------

Heavy Duty Gear Drive Assemblies DSD, DGHS, DML42A
Item # 1 applies to all Heavy Duty deck models EXCEPT DSD52 and DSD62.

- 1 Apply Loctite® Threadlocker # 277 (Red) to Item # 1 used on Heavy Duty Gearbox Connector Tubes. Torque to 115 in-lb (34.7 N·m).

DGHS & DSD Deck Assemblies

Items # 2 & 3 apply to all deck models EXCEPT DSD52 and DSD62.

- 2 Apply Loctite® Threadlocker # 242 (Blue) to P/N F211 (1/4-20 x 7/8 Hex Bolt, used on Gearbox Connector Tubes) prior to assembly. Torque to 90 in-lb (10.2 N·m).
- 3 Torque P/N F018 (5/8-18 Hex Nut, used on underside of blades) to 60 ft-lb (81.4 N·m). **DO NOT** apply Loctite®.

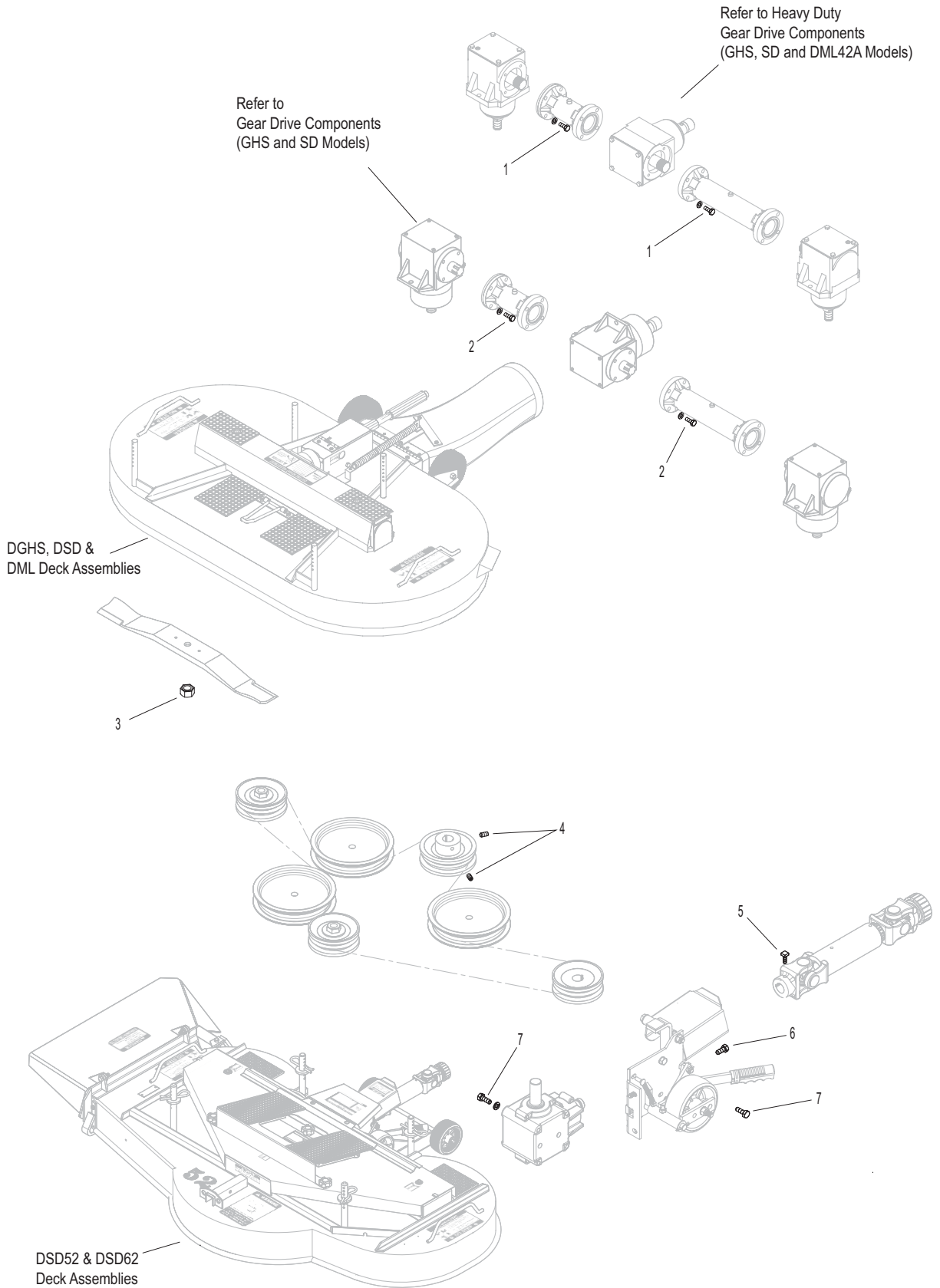
ITEM NO.	DESCRIPTION
----------	-------------

DSD52 & DSD62 Deck Assemblies

- 4 Apply Loctite® Threadlocker # 242 (Blue) to P/N F114 (5/16-18 x 5/8 SQH Set Screw, used on Drive Pulley) prior to assembly. Torque to 190 in-lb (21.5 N·m).
- 5 Apply Loctite® Threadlocker # 242 (Blue) to P/N F076 (3/8-16 x 5/8 SQH Set Screw, used on U-Joint Shaft Assy, T-Scope) prior to assembly. Torque to 400 in-lb (45.2 N·m).
- 6 Torque P/N F339 (5/16-18 x 3/4 Self-Tapping Bolt, used on Mount Bracket & PTO Guard) to 200 in-lb (22.6 N·m). **DO NOT** apply Loctite®.
- 7 Apply Loctite® Threadlocker # 242 (Blue) to P/N F226 (5/16-18 x 7/8 Hex Bolt, used on Right Angle Gearbox) prior to assembly. Torque to 18 ft-lb (24.4 N·m).

NOTE: Models DGHS48 and DSD52 are shown here. Refer to individual deck assemblies for exact locations and quantities of items listed above.

FASTENER LOCTITE® APPLICATION & TORQUE INSTRUCTIONS



MAINTENANCE AND SERVICE RECORD SHEET

DATE	SERVICE ITEM	ENGINE HOURS

DECK / TRACTOR COMPATIBILITY CHART

	MB	MW	MS SD	MS GHS	MC SD	MC GHS	MT SD	MT GHS	MTEFI SD	MTEFI GHS	MTL SD	MTL GHS	MTL EFI GHS	MTL EFI SD	MD SD	MD GHS
DGHS36				X		X		X		X		X	X			X
DSD36	X	X	X	*	X	*	X	*	X	*	X	*	*	X	X	*
DGHS42				X		X		X		X		X	X			X
DSD42	X	X	X	*	X	*	X	*	X	*	X	*	*	X	X	*
DML42A	X	X	X	X	X	*	X	*	X	*	X	*	*		X	*
DGHS48						X		X		X		X	X			X
DSD48	X	X			X	*	X	*	X	*	X	*	*	X	X	*
DSD52							X	*	X	*	X	*	*	X	X	*
DSD56	X	X			X	*	X	*	X	*	X	*	*	X	X	*
DSD62							X	*	X	*	X	*	*	X	X	*
DSD74							**	* **	X	X	X	X	X	X	X	*

X Deck and tractor are fully compatible.

* When using this deck on GHS tractors, installation of P/N 7541 (Blower Lockout Kit) is recommended. Contact your Walker dealer.

** Using the DSD74 Deck with Model MT-20 is not recommended in all conditions. In certain conditions (tall, wet grass), the performance of the deck may be marginal due to a limit of horsepower with the 20-hp engine.

LIMITED WARRANTY FOR WALKER COMMERCIAL RIDER MOWER

1. WHAT THIS WARRANTY COVERS, AND FOR HOW LONG:

Walker Manufacturing company will, at its option, repair or replace, without charge, any part covered by this warranty which is found to be defective in material and/or workmanship within one (1) year* after date of sale to the original retail purchaser unless the product is used for rental purposes, in which case this warranty is limited to ninety (90) days. At Walker's request, customer will make the defective part available for inspection by Walker and/or return the defective part to Walker, transportation charges prepaid. All parts and components of the Walker Mower are covered by this warranty **except** the following components which are warranted separately by their respective manufacturers:

Kohler Engine
Kubota Engine
Kawasaki Engine
Eaton Hydraulic Transmission
Peerless Gearboxes
Battery
Tires

The available warranties covering these items are furnished with each mower. Walker does not assume any warranty obligation, liability or modification for these items, which are covered exclusively by the stated warranty of the respective manufacturers noted above.

* An extended three (3) year warranty is offered on the Walker P/N 6200-9 Gear Axle Assembly.

2. WHAT THIS WARRANTY DOES NOT COVER:

- A. This warranty does not cover defects caused by depreciation or damage caused by normal wear, accidents, improper maintenance, improper use or abuse of the product, alterations, or failure to follow the instructions contained in the Owner's Manual for operation and maintenance.
- B. The customer shall pay any charges for making service calls and/or for transporting the mower to and from the place where the inspection and/or warranty work is performed.

3. HOW TO OBTAIN SERVICE UNDER THIS WARRANTY:

Warranty service can be arranged by contacting the dealer where you purchased the mower or by contacting Walker Manufacturing Company, 5925 East Harmony Road, Ft. Collins, CO 80528. Proof of the date of purchase may be required to verify warranty coverage.

4. WARRANTY LIMITATION:

- A. **THERE IS NO OTHER EXPRESS WARRANTY. ANY WARRANTY THAT MAY BE IMPLIED FROM THIS PURCHASE INCLUDING MERCHANTABILITY AND FITNESS FOR A PARTICULAR PURPOSE IS HEREBY LIMITED TO THE DURATION OF THIS WARRANTY AND TO THE EXTENT PERMITTED BY LAW ANY AND ALL IMPLIED WARRANTIES ARE EXCLUDED.** Some states do not allow limitations on how long an implied warranty lasts, so the above limitations may not apply to you.
- B. **WALKER WILL NOT BE LIABLE FOR ANY INCIDENTAL, CONSEQUENTIAL, OR SPECIAL DAMAGES AND/OR EXPENSES IN CONNECTION WITH THE PURCHASE OR USE OF THE MOWER.** Some states do not allow the exclusion or limitation of incidental or consequential damages, so the above limitation(s) or exclusion(s) may not apply to you.
- C. Only the warranty expressed in this limited warranty shall apply and no dealer, distributor, or individual is authorized to amend, modify, or extend this warranty in any way. Accordingly, additional statements such as dealer advertising or presentations, whether oral or written, do not constitute warranties by Walker, and should not be relied upon.
- D. This warranty gives you specific legal rights, and you may also have other rights which vary from state to state.

WALKER MOWERS™

WALKER MFG. CO. • 5925 E. HARMONY ROAD, FORT COLLINS, CO 80528 • (970) 221-5614
FORM NO. 070106 PRINTED IN USA www.walkermowers.com ©2006 WALKER MFG. CO