

USER MANUAL

Please read this manual carefully before using this TV set and keep it for future reference.

LED TV

LE2833

Need help fast?

Read your Quick Start Guide and User Manual first for quick tips and instructions on using your LEGEND product.

IMPORTANT !!!

If you have read the instruction manuals and still need assistance, please call us at the toll free number below.

1-866-96-LEGEND

24 hours a Day/ 7 Days a week.

Table Of Contents

Important Safety Instructions	2
View of Unit	5
Front Panel.....	5
Rear Panel.....	6
Remote Control	7
Remote Control Drawing.....	7
Preparation of Remote Control.....	9
Using of Remote control.....	9
System Connections	10
Connecting to the Power Supply.....	10
Connecting a USB Device.....	10
Connecting to an External HDMI Signal Source.....	10
Connecting External Equipment to COMPONENT Video IN (YPbPr).....	11
Connecting to an amplifier or home theater system.....	11
Connecting to COAX Output jack.....	11
Connecting to a PC.....	12
Connecting to TV-Signal Input.....	12
Connecting to AV Input.....	13
Basic Operation	14
Turning the TV On and Off.....	14
Source selecting.....	14
Channel Selection.....	14
The First Time Installation.....	14
TV Operation and System Setup	15
Picture.....	15
Audio.....	16
Time.....	16
Setup.....	17
Lock.....	18
Channel.....	19
Media Playback	20
Media Playback.....	20
Function Buttons.....	21
Troubleshooting	22
Specifications	23



The images in this manual are for reference only and may differ from your model.

Important Safety Instructions

Thank you for choosing our product. Please read this manual carefully and observe all safety and operating instructions. Store the manual in a safe place for later reference.



This symbol indicates that dangerous voltage instituting a risk of electric shock is present within this unit.



This symbol indicates that there are important operation and maintenance instructions in the literature accompanying the appliance.

Caution

1. The product contains a low-power device. In order to ensure the safety of the laser device, do not remove any cover and attempt to repair the unit. If any service is needed, please contact the distributor or its authorised service center.
2. To reduce the risk of electric shock, do not remove the cover (back). No user-serviceable parts inside. Refer servicing to qualified service personnel. Unplug the product from the power source before servicing or when it is unused for a long period of time.
3. The manufacturer will not be held responsible for the damage caused by any substitutions and modification of the product without authorisation from the manufacturer's or authorised service agent.

WARNING

The apparatus shall not be exposed to dripping or splashing and that no objects filled with liquids, such as vases, shall be placed on the apparatus.



The information symbol in the documentation indicates useful information and tips for using and maintaining the device.



The information symbol in the documentation indicates cautions for operators to avoid potential damages. Please note and remember.

Important Safety Instructions

NOTES:

1. Read these instructions.
2. Keep these instructions.
3. Heed all warnings.
4. Follow all instructions.
5. Do not use near water.
6. Clean only with dry cloth.
7. Do not block any ventilation openings. Maintain well ventilated conditions around the product. Do not put product on a bed, sofa or anything that blocks ventilation. Install according to the manufacturer's instructions.
8. Do not install near any heat sources such as radiators, heat registers, stoves or other apparatus (including amplifiers) that produce heat.
9. Do not defeat the safety purpose of the polarized. A polarized plug has two blades with one wider than the other. The wide blade are provided for your safety. If the provided plug does not fit into your outlet, consult an electrician for replacement of the obsolete outlet.
10. Read, heed and follow all instructions to ensure correct and safe installation and interconnection of the apparatus;
11. The apparatus shall not be exposed to dripping or splashing and that no objects filled with liquids, such as vases, shall be placed on the apparatus.
12. The mains socket-outlet shall be installed near the apparatus and the mains plug shall remain readily operable.
13. Protect the power cord from being walked on or pinched particularly at plugs, power sockets, and the point where they exit from the apparatus.
14. Only use attachments/accessories specified by the manufacturer.
15. Use only with the stand, tripod, bracket, or table specified by the manufacturer, or sold with the apparatus.
16. Unplug the apparatus during lightning storms or when unused for long periods of time.
17. Batteries (battery pack or batteries installed) shall not be exposed to excessive heat such as sunshine, fire or the like.
18. Well disposed the disused battery, spent batteries must be deposited at the designated collection points.
19. Refer all servicing to qualified service personnel. Servicing is required when the apparatus has been damaged in any way, such as power-supply cord or plug is damaged, liquid has been spilled or objects have fallen into the apparatus, the apparatus has been exposed to rain or moisture, does not operate normally, or has been dropped.



Do not touch the color LED screen directly by hand.

Important Safety Instructions

FCC requirements

This equipment has been tested and found to comply with the limits for a Class B digital device, pursuant to part 15 of the FCC Rules. These limits are designed to provide reasonable protection against harmful interference in a residential installation. This equipment generates, uses and can radiate radio frequency energy and, if not installed and used in accordance with the instructions, may cause harmful interference to radio communications. However, there is no guarantee that interference will not occur in a particular installation. If this equipment does cause harmful interference to radio or television reception, which can be determined by turning the equipment off and on, the user is encouraged to try to correct the interference by one or more of the following measures:

- Reorient or relocate the receiving antenna.
- Increase the separation between the equipment and receiver.
- Connect the equipment into an outlet on a circuit different from that to which the receiver is connected.
- Consult the dealer or an experienced radio/TV technician for help.

CAUTION:

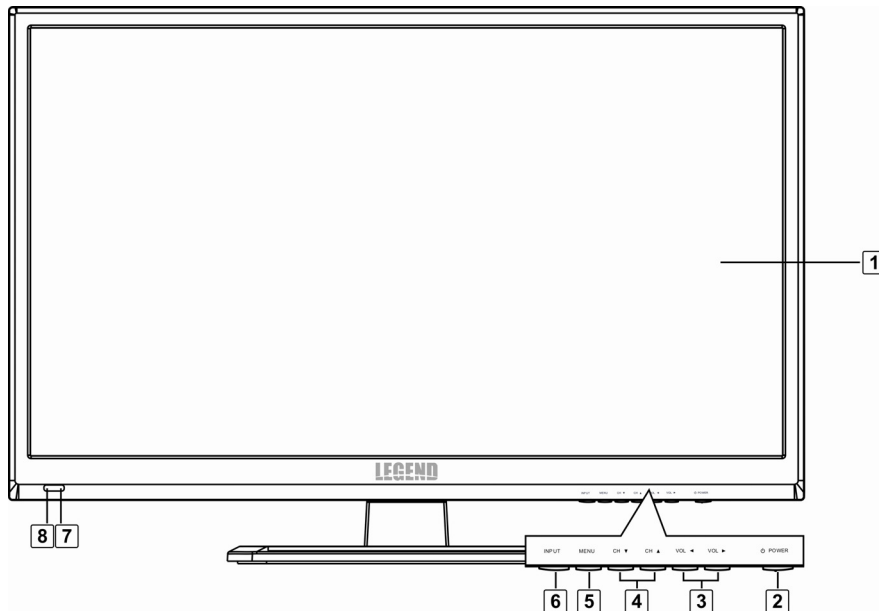
To comply with the limits of the Class B digital device, pursuant to Part 15 of the FCC Rules, this device is comply with Class B limits. All peripherals must be shielded and grounded. Operation with non-certified peripherals or non-shielded cables may results in interference to radio or reception.

MODIFICATION:

Any changes or modifications not expressly approved by the grantee of this device could void the user's authority to operate the device.

View of Unit

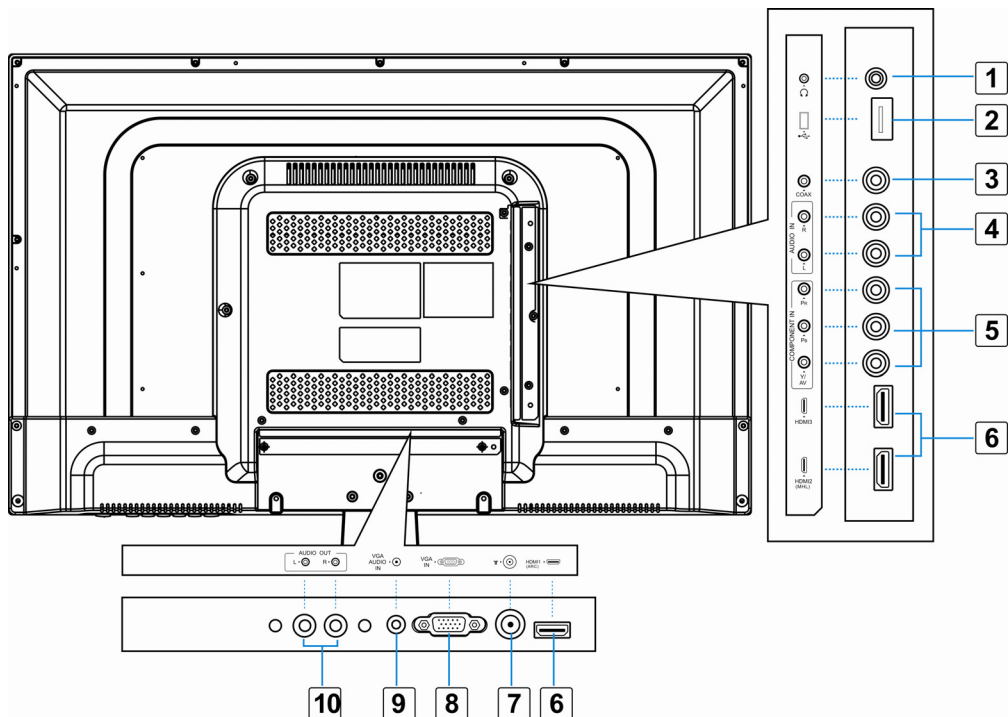
Front Panel



- 1. Color TFT screen**
Presents high resolution picture.
- 2. POWER button**
Press to switch on or off the device (enter or exit the standby mode).
- 3. VOL ◀▶ buttons**
Press to decrease or increase the volume.
When in setup menu, this button also serves the ◀▶ direction button.
- 4. CH ▲▼ buttons**
Press to page up or down through programs in TV mode.
When in setup menu, this button also serves the ▲▼ direction button.
- 5. MENU button**
Press to enter or exit system setup menu.
- 6. INPUT button**
Press to display a menu of all of the available input sources.
When in setup menu, this button also serves the ENTER button.
- 7. Remote Sensor**
Remote sensor window for the remote control.
- 8. Power Indicator**
In active mode, it is green; in standby mode, it turns red.

View of Unit

Rear Panel



1. Earphone Jack

When earphone is inserted, the loudspeaker is switched off.

2. USB Port

Connect the USB device.

3. COAX Jack

Connect an optional Optical digital cable (not included) through a compatible amp / receiver to enjoy superior audio sound.

4. AUDIO IN Jacks

Connecting for COMPONENT or AV audio signal input.

5. COMPONENT IN Jacks

Connecting for the Y/P_B/P_R or the AV input in COMPONENT or AV mode.

6. HDMI1(ARC)、HDMI2(MHL)、HDMI3 Input Jacks

Connecting for HDMI signal.

7. RF INPUT Jack

Connect an antenna or cable connection for television reception.

8. VGA IN Jack

Connected to the VGA output jack on a personal computer.

9. VGA AUDIO IN Jack

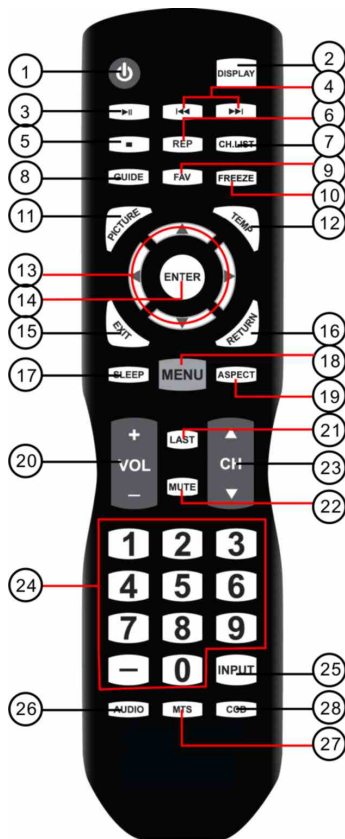
Connecting for VGA audio signal input.

10. AUDIO OUT Jack

Connect to audio receiver.

Remote Control

Remote Control Drawing



- 1. POWER button**
Press to enter or exit standby mode.
- 2. DISPLAY button**
Press to display the reference information of the current mode.
- 3. ►|| Play/Pause button**
Press to start or pause the playback in USB mode.
- 4. ◀◀/▶▶ buttons**
Press to return to the previous file or skip to the next one in media player.
- 5. ■ button**
Press to stop playback in USB mode.
- 6. REP button**
Press to repeat playback in USB mode.

7. CH.LIST button

Press to display a list of channels saved in the TV tuner memory.

8. GUIDE button

Press to review scheduled programming for the currently viewed channel.

9. FAV button

Press to display a listing of your favorite TV channels.

10. FREEZE button

Pause and still-frame the current image on the display. Press again for live TV.

11. PICTURE button

Press repeatedly to select the picture mode: Standard, Dynamic, Mild or User.

12. TEMP button

Select the Color Temperature: NORMAL > WARM > COOL.

13. Direction buttons (▲▼◀▶)

In the setup menu, press the ▲▼ button to select a desired item and press the ◀▶ button to adjust or set.

14. ENTER button

Press to confirm selection in the setup menu.

15. EXIT button

Press to exit a displayed menu.

16. RETURN button

Press to return to the previous menu.

17. SLEEP button

Press the button repeatedly to select the desired time to sleep or select Off to close the function.

18. MENU button

Press to enter setup menu or return to the previous menu.

Remote Control

19. ASPECT button

Select the viewable display aspect options: Normal, Wide, Zoom, or Cinema. VGA and DVI mode is Full 100%, Point to Point.

20. VOL +/- button

Press to increase or decrease the volume.

21. LAST buttons

Press to switch between the current channel and previously viewed channel.

22. MUTE button

Press to turn on or off the speaker output.

23. CH▲/▼ button

Press to select the next or previous program in TV mode.

24. 0~9/- Number buttons

Select desired TV channel directly. For example: to select digital channel "8", press number key "8"; to select digital channel "4-1", press "4", press "-", and press "1" = (4-1).

25. INPUT button

Press to enter the source selecting menu, press the ▲▼ direction buttons or press the INPUT button repeatedly to select desired source and press the ENTER button to enter the selected source.

26. AUDIO button

Press to select the sound mode: choose from STANDARD, MUSIC, MOVIE and USER.

27. MTS button

Press to select a program's second audio channel (if available).

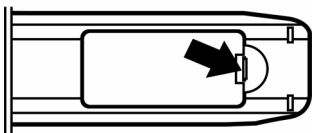
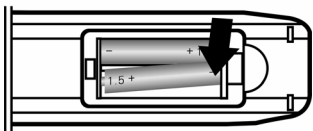
28. CCD button

Press to select closed caption subtitles (if available) CC Off> CC on > CC on mute.

Remote Control

Preparation of Remote Control

1. Softly push the back cover to open the battery compartment.
2. Insert two batteries (1.5V, size AAA), please make sure the polarity matches the marks inside the compartment.
3. Softly press the back cover to close it.



Universal Remote Code:

To operate this TV using the remote control provided by your Cable / Satellite provider, follow the programming instructions included with the providers' remote control and input the following codes when prompted;

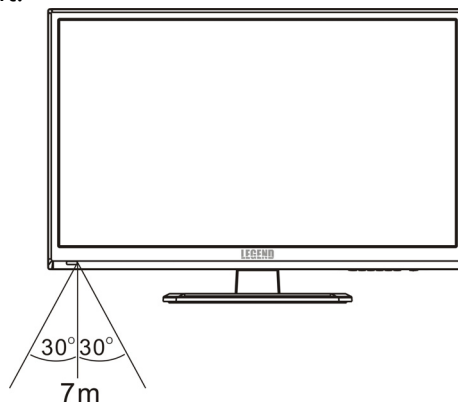
- For Comcast or DirecTV remote controls, input the code- 10030.
- For AT & T (U-verse) remote controls, input the code- 1043.
- For RCA Universal Remote Controls, input the code- 0030.



- ◇ Under normal use the battery will last for six months.
- ◇ Take out battery when the remote is not in use for a long time.

Using of Remote control

Point the remote control unit from no more than about 7 meters from the remote control sensor and within about 60 degrees of the front of the unit.



- ◇ The operating distance may vary depending on the brightness in the room.



- ◇ Do not point bright lights directly at the remote control sensor.
- ◇ Do not place objects between the remote control unit and the remote control sensor.
- ◇ Do not use this remote control unit while simultaneously operating the remote control unit of any other equipment.

System Connections



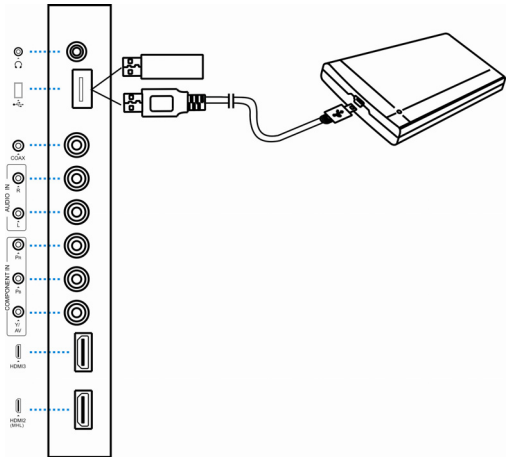
- ◇ Do not connect the power cord until all other connections have been made.
- ◇ Ensure that you observe the color code when connecting audio and video cables.

Connecting to the Power Supply

Connect the plug of the power cord on the rear panel of the unit to the AC100~240V wall outlet.

Connecting a USB Device

This unit is designed with a USB port so that you can connect your USB device for media play, record or software upgrade.

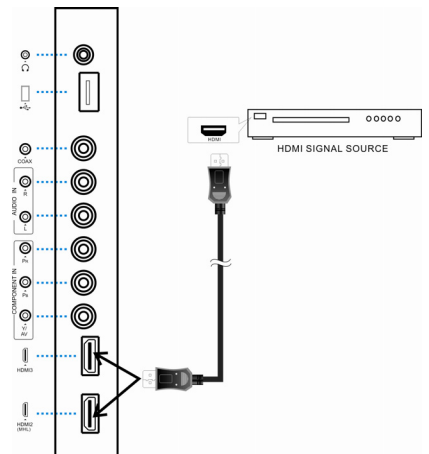


Make sure that the desired file for media play or software upgrade is stored in the USB device before connection.

Connecting to an External HDMI Signal Source

1. Connect an HDMI signal source to one of the HDMI jacks on the rear panel of the unit.
2. After connection, turn on the power of the unit and the HDMI signal source.
3. Press INPUT then direction buttons to select HDMI 1, HDMI 2 or HDMI3 mode, and then press the ENTER button to confirm.

NOTE: This unit supports the MHL(HDMI2) and ARC(HDMI1) functions. HDMI maximum resolution ratio is: 1366*768.



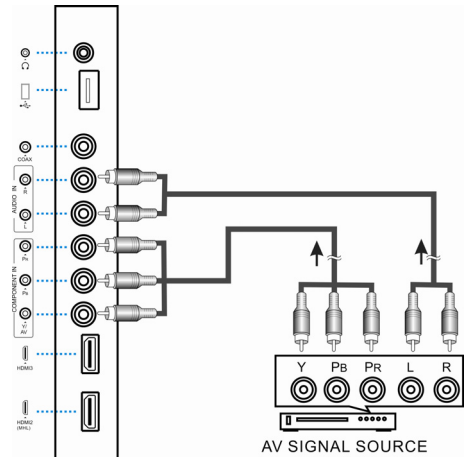
System Connections



HDMI provides both audio and video signals and typically provides superior image quality to AV and YPBPR.

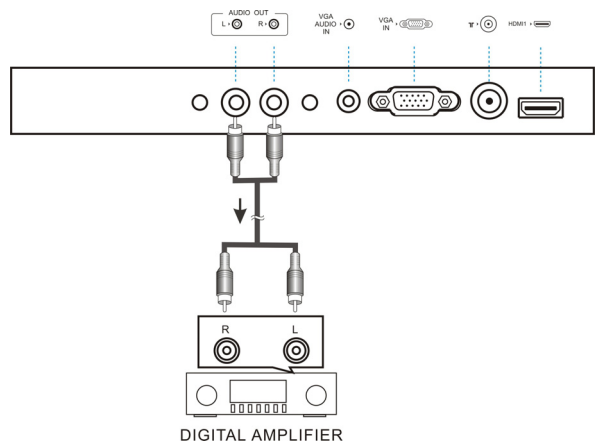
Connecting External Equipment to COMPONENT Video IN

1. When connecting external equipment to your television, match the colors of the connecting jacks (Video: Blue, Green, Red; Audio: White / Red).
2. Connect the optional component video cables (blue, green, red) (not included) from the video output jacks (Y, Pb, Pr) on your external equipment to the Component Y Pb Pr input on the TV's rear panel.
3. Connect white / red audio cables for sound from the audio (L / R) output jacks on your external equipment to the AUDIO L / R input jacks on the TV's rear panel.
4. Press INPUT then direction buttons to select **COMPONENT/AV** mode, and then press the ENTER button to confirm.



Connecting to an amplifier or home theater system

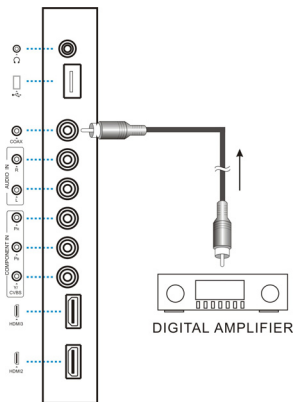
Use the AV cables to connect the external AV signal source to the AUDIO OUT jacks on the rear panel of the unit.



Connecting to COAX Output jack

Connect an optional digital cable directly to the television's COAX audio output to listen through all inputs except VGA. (VGA does not support digital audio)

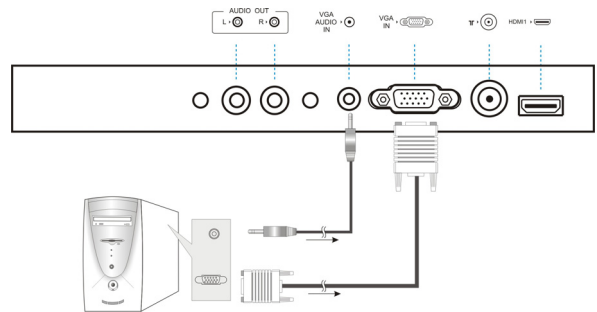
System Connections



Connecting to a PC

The unit can be connected to a PC via the VGA cable and PC audio cable.

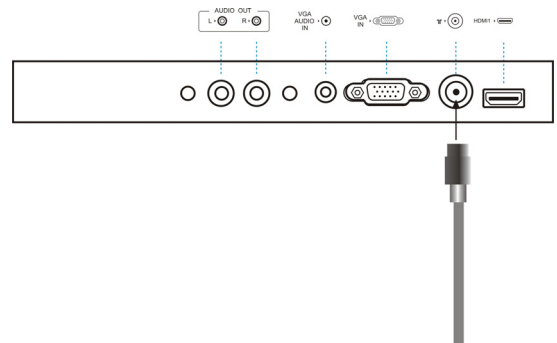
1. Connect one end of the VGA cable to the VGA jack on the jack panel of the unit and the other end to the PC VGA output.
2. Connect one end of the audio cables to the PC IN jack on the jack panel of the unit and the other end to the PC audio output jack.
3. Set the PC video resolution to match that of the television. After connection, turn on the power of the unit and the PC.
4. Press INPUT then direction buttons to select **VGA** mode, and then press the ENTER button to confirm.



Connecting to TV-Signal Input

Connect the TV signal cable (the antenna cable, for example) to the RF input Jack on the back of the unit so that you can receive television programs.

1. Connect TV signal input source from the aerial to the RF input jack on the rear panel of the unit.
2. After connection, turn on the power of the unit.
3. Then press the INPUT button and the direction buttons to select **TV** mode, press the ENTER button to confirm and conduct program selection.

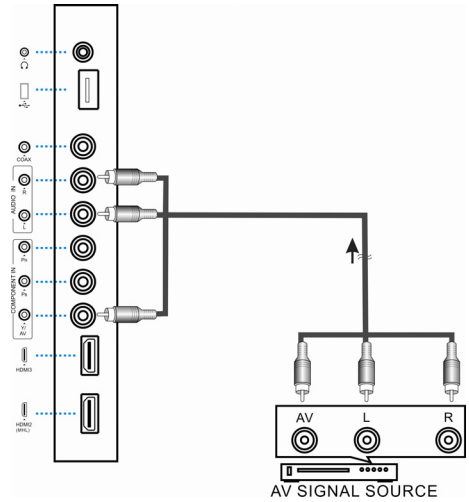


System Connections

Connecting to AV Input

Use the AV cables to connect the external AV signal source to the Y (AV) and AUDIO IN input jacks on the rear panel of the unit.

After connection, turn on the power of the unit and the external AV signal source. Press INPUT then direction buttons to select **COMPONENT/AV** mode, and then press the ENTER button to confirm.



Basic Operation

Turning the TV On and Off

- ✧ Connect the power adapter to wall AC Outlet. A front mounted indicator light will be illuminated red indicating the TV has power.
- ✧ Press the POWER button on the remote control or the TV set. The TV's indicator light will be illuminated green indicating the TV is turned ON.
- ✧ Press the POWER button again to turn the TV off. A front mounted indicator light will be illuminated red indicating the TV is off.

Source selecting

The unit incorporates multiple input sources which can be selected via the INPUT button on the television or remote. Press the INPUT button to enter Input menu, as shown right.

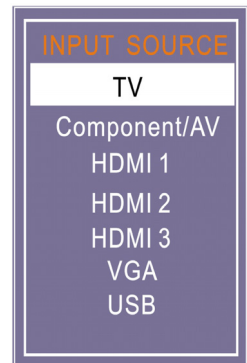
- ✧ Use the ▲▼ direction buttons and the ENTER button
On the input menu, press the ▲▼ direction button to select the desired input source. After several seconds, the TV will enter the selected source.

Or after you selected the desired source press the ENTER button to enter the selected source immediately.

- ✧ Use the INPUT button and the ENTER button

On the input menu, press the INPUT button repeatedly to select the desired input source. After several seconds, the TV will enter the selected source.

Or after you selected the desired source press the ENTER button to enter the selected source immediately.



Channel Selection

1. Using CH▲/▼ button
2. You have also quick access to the different TV channels by using the numeric buttons.
3. Using LAST button on the remote control to view the last channel you were watching.

The First Time Installation

The first time you turn on the TV or after you reset all the settings to their original status, the Setup Wizard will start automatically. Follow the prompts on the screen to set the Menu Language, Air/ Cable, Cable System and the Auto Scan, then press ENTER button and the channel tuning starts immediately.

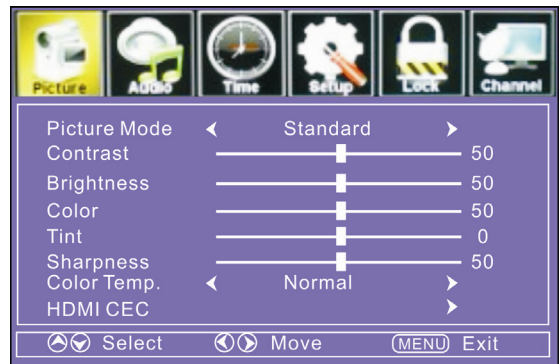
All found TV programs will be saved into the channel list.

TV Operation and System Setup

- ✧ Press the MENU button to display the setup menu. It includes different categories, such as Picture, Audio, Time, Setup, Lock and Channel.
- ✧ You can change the category using the ◀▶ buttons and press the ENTER button or ▼ button to enter it.
- ✧ Using the ▲▼ buttons and press ENTER button to enter the submenu of each option in the category. Press the MENU button to exit the submenu and return to the previous menu.
- ✧ To leave the system settings, press the EXIT button.

Picture

PICTURE setting includes Picture Mode, Contrast, Brightness, Color, Sharpness, etc.



Picture Mode

Press the ▲▼ buttons to select **Picture Mode** and then press the ◀▶ buttons you can select Standard, Dynamic, Mild or User.

Contrast/ Brightness/ Color/ Tint/ Sharpness

Press the ▲▼ buttons to select **Contrast/ Brightness/ Color/ Tint/ Sharpness** and press the ENTER or ▶ button to enter it, then press the ◀▶ buttons to adjust the level.

Color Temp.

Press the ▲▼ buttons to select **Color Temp.** ,and then press the ◀▶ buttons you can select Normal, Warm or Cool.

HDMI CEC

Press the ▲▼ buttons to select **HDMI CEC**, and then press the ▶ button to enter the submenu.

- ✧ INlink Control/ Device Auto Power Off/ TV Auto Power On/ TV Auto Switch/ Audio Receiver

Press the ▲▼ buttons to select, and press the ◀▶ buttons to turn on or off the function.

- ✧ Connect / Root Menu (These functions are available only in HDMI mode)

Press the ▲▼ buttons to select **Connect/ Root Menu**, then press the ▶ button to

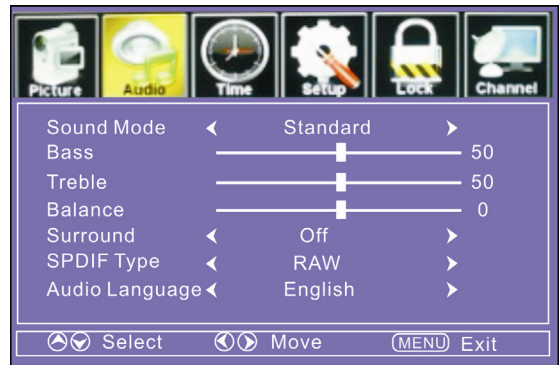
TV Operation and System Setup

confirm.

Note: make sure the device is connected to an HDMI port and is powered on.

Audio

The sound settings include the options for Sound Mode, Bass, Treble, Surround, SPDIF Type, etc.



Sound Mode

Press the ▲▼ buttons to select **Sound Mode** and then press the ◀▶ buttons you can select Standard, Music, Movie and User.

Bass/ Treble/ Balance

Press the ▲▼ buttons to select **Bass/ Treble/ Balance** and then press the ◀▶ buttons you can adjust the level of it.

Surround

Press the ▲▼ buttons to select **Surround Sound** and then press the ◀▶ button to select Off or On.

SPDIF Type

Press the ▲▼ buttons to select **SPDIF Type** and then press the ◀▶ buttons to select RAW or PCM.

Audio Language

Press the ▲▼ buttons to select **Audio Language** and then press the ◀▶ buttons to select English, French or Spanish.

Time

The Setup category includes the options for Sleep timer, Time Zone and Daylight Saving Time.



TV Operation and System Setup

Sleep Timer

Set the Sleep Timer to have the TV to enter the standby mode automatically after the preset time interval.

Press the ▲ ▼ buttons to select Sleep Timer and press the ◀ ▶ buttons to select the preset minutes or turn off this function.

Time Zone

Press the ▲ ▼ buttons to select **Time Zone** and select the time zone as you desired with the ◀ ▶ buttons.

Daylight Saving Time

Press the ▲ ▼ buttons to select **Daylight Saving Time** and press the ◀ ▶ buttons to select On or Off.

Setup

The Setup category includes the options for Menu Language, Transparency, Zoom Mode, Noise Reduction, Advanced, Closed Caption, DLC and Restore Default.



Menu Language

This option is for setting the Menu Language.

Press the ▲ ▼ buttons to select **Menu Language** and press the ◀ ▶ buttons to select the Menu Language.

Closed Caption

Press the ▲ ▼ buttons to select **Closed Caption** and press the ▶ button to enter the submenu.

✧ CC Mode/ Basic Selection/ Advanced Selection

Press the ▲ ▼ buttons to highlight the item and press the ◀ ▶ buttons to select.

✧ Option

Press the ▲ ▼ buttons to select **Option**, and press the ▶ button to enter a menu with options.

DLC

Press the ▼ ▲ button to select **DLC** and press the ◀ ▶ buttons to select On or Off.

TV Operation and System Setup

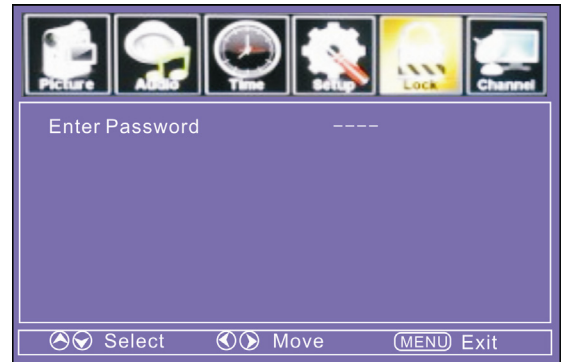
Restore Default

With this option you can load and reset the factory default settings. All personally settings are deleted.

Lock

Before you change the settings, you have to insert the preset password to enter the menu. The default is 0000.

The lock settings include the options for System Lock, Change Password, etc.



Change Password

Press the ENTER button to enter the submenu. With this option you can change the old password.

System Lock

Press the ◀▶ buttons select On or Off.

US (It is available when System Lock is "on")

Press the ▲▼ buttons to select **US**, press the ENTER button to enter the submenu. In the submenu, you can select TV or MPAA with the ▲▼ buttons and press the ENTER or ▶ button to enter it.

◇ TV

In this menu, you can press the ▲▼◀▶ buttons to select the ratings that you want to lock or unlock, press the ENTER button to confirm.

◇ MPAA

In this menu, you can press the ◀▶ buttons to select your moving rating preference.

Canada (It is available when System Lock is "on")

Press the ▲▼ buttons to select **Canada**, press the ENTER button to enter the submenu.

In the submenus (Canada English and Canada French), you can press the ◀▶ buttons to select the options you desired.

TV Operation and System Setup

Channel

CHANNEL includes Air/ Cable, Auto Scan, Favorite, Show/ Hide, Channel No., etc.

NOTE: The Channel category is only active in TV mode.



Auto Scan

Select this item and press the ENTER button to start scanning, Press the MENU or EXIT button when you want to stop scanning.

After finishing the scanning, all found TV programs will be saved into the channel list.

NOTE: Please allow a few minutes for this feature to scan the entire range of available programs.

Favourite

Press the ▲▼ buttons to Select this item and press ► button to enter the submenu. Use the ▲▼ buttons to select channels to be added or deleted from your list, press ENTER button to add or delete a channel. A checkmark indicates a channel has been added. You may also display your list of Favourite channels by pressing the FAV button on the remote control.

Show / Hide

Press the ▲▼ buttons to Select this item and press ► button to access the list of available channels. Press ENTER button to change the channels status. A checkmark indicates a channel has been added.

Channel Label

Press the ▲▼ buttons to Select this item and press ► button to enter the screen menu to relabel a channel. Use the ▲▼ buttons to spell out each letter, number or character. Use ◀▶ buttons to advance to the next space.

Media Playback

This unit is designed with a USB port so that you can connect your USB device and playback the files in the USB device.

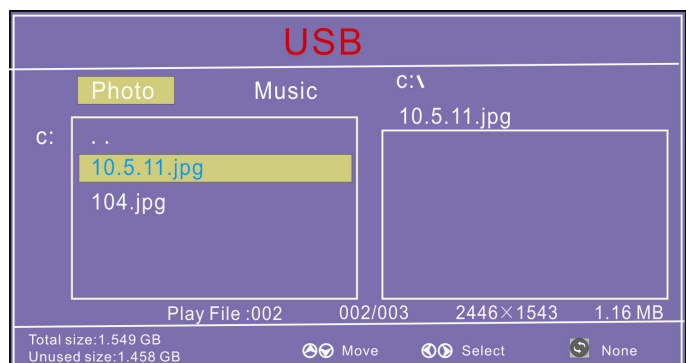
NOTES:

- ✧ The recognition speed of a USB storage device may depend on each device.
- ✧ Please do not turn off the TV or unplug the USB device when the connected USB storage device is working. When such device is suddenly separated or unplugged, the stored files or the USB storage device may be damaged.
- ✧ Please do not connect the USB storage device which was artificially maneuvered on the PC. The device may cause the product to malfunction or fail to be played. Never forget to use only a USB storage device which has normal media files.
- ✧ Please use only a USB storage device which was formatted as a FAT32 or NTFS file system provided with the Windows operating system. In case of a storage device formatted as a different utility program which is not supported by Windows, it may not be recognized.
- ✧ Some USB storage devices may not be supported or operated smoothly.
- ✧ If the name of a folder or file is too long, it will not be displayed or recognized.
- ✧ Please backup the important file because a data of USB device may be damaged. Data management is consumer's responsibility and in consequence the manufactures does not cover the product bearing data damage.

Media Playback

- ✧ It's available to play the photo and music in the USB device.
- ✧ The On Screen Display may be different from your set. Images are an example to assist with the TV operations.

1. Connect a USB device, then press the INPUT button to enter the Input Source menu. Press the ▲▼ button to select USB mode and press ENTER to display the media menu as shown right:



Media Playback

2. Press the ◀▶ direction buttons to select your desired media type (photo or music) and press ENTER to enter the corresponding submenu. The playback procedures of these two type files are similar and we will use Music as an example.
3. In the Music submenu, press the ▲▼ direction buttons to select your storage device and press the ENTER button to open it. The songs list will appear.
4. In the songs list, you can use the ▲▼ buttons to select one of them and press ENTER or ▶|| button to play it.
5. Press the INPUT button and select the other source to exit the USB mode.

Function Buttons

Button	Function	Button	Function
▶	Start or pause the playback.	◀◀ ▶▶	Return to the previous file or skip to the next file.
■	Stop the playback.	REP	To replay all or none.

Note: When playing photo files, the function buttons may vary from the above ones.

Troubleshooting

SYMPTOM	CHECK ITEM
There is no sound.	Make sure the system connection is correct. Make sure the speakers are not muted. Set the correct sound mode.
LED has no display.	Make sure the unit is turned on and the connections are correct. Make sure the power adapter is correctly connected.
There is no picture or picture jitters up and down Unsteady.	Check if the connections with the external AV signal source are correct. Correctly set the items in the picture menu. Check if the video type input signal is not corresponding to the unit. Make sure the unit is turned on and in the correct video type.
The remote control does not work.	Make sure there are no obstructions between the remote control and the player. Make sure the remote control is pointing at the player. Make sure the batteries are inserted and the polarity is correct. Make sure the battery is not weak.

Other Notes:

Static or other external interference may cause the player to behave abnormally. If this occurs, unplug the power-supply cord from the outlet and plug it in again to reset the player. If the problems persist, then please disconnect the power and consult a qualified technician.

Specifications

Model	LE2833
Screen Size	28-inch LED
Native Resolution	1366 × 768 Pixels
Brightness	280 cd/m ²
Contrast Ratio	3000 :1
Response time (ms)	6.5 ms
Speaker Output	6W+6W
AC Input	100-120V ~ 50/60Hz
Power Consumption	<40W
Standby Power	< 1 W
Dimension (with stand)	644mm × 450 mm ×185 mm (W × H × D)
Dimension (without stand)	644 mm ×399mm ×76 mm (W × H × D)
Net Weight	About 4.6 kg
Ambient Temperature	10~40 °C



Specifications subject to change without pre-notice. Weight and dimensions are approximate.



If at any time in the future you should need to dispose of this product please note that: Waste electrical products should not be disposed of with household waste. Please recycle where facilities exist. Check with your Local Authority or retailer for recycling advice. (Waste Electrical and Electronic Equipment Directive)