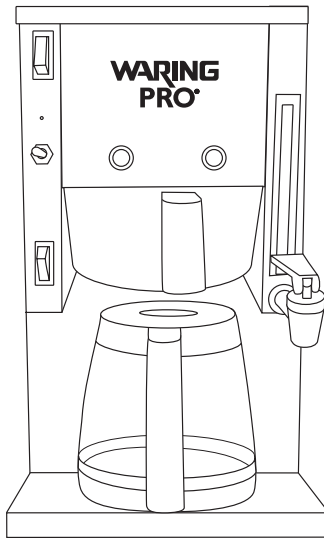


WARING PRO™

PROFESSIONAL COFFEEMAKER INSTRUCTION BOOK



MODEL WC1000

For your safety and continued enjoyment of this product,
always read the instruction book carefully before using.

IMPORTANT UNPACKING INSTRUCTIONS

1. Place the box on a large, sturdy, flat surface.
2. Remove instruction book and any other printed literature.
3. Remove large styrofoam insert containing two carafes and place on sturdy surface.
4. Carefully lift the coffeemaker with styrofoam inserts on both ends and remove styrofoam. Place on sturdy surface.
5. Remove poly bag covering the coffeemaker.

We suggest you save all packing materials in the event that future shipping of the machine is necessary.

Keep all plastic bags away from children.

IMPORTANT SAFEGUARDS

When using electrical appliances, basic safety precautions should always be followed to reduce the risk of fire, electric shock and/ or injury to persons, including the following:

READ ALL INSTRUCTIONS

1. Do not touch hot surfaces. Use handles and knobs.
2. To protect against electric shock, do not place cord, plug, or base unit in water or other liquids.
3. Close supervision is necessary when any appliance is used by or near children.
4. Do not operate any appliance with a damaged cord or plug or after the appliance malfunctions or has been dropped or damaged in any manner. Return appliance to the nearest Waring Repair Center for examination, repair, and electrical or mechanical adjustment.
5. The use of accessory attachments not recommended by Waring may cause injuries.
6. Do not use outdoors.
7. Do not let cord hang over edge of table or counter, or touch hot surface.
8. Do not place on or near a hot gas or electric burner, or in a heated oven.
9. Do not use appliance for other than intended use.

10. Snap lid securely onto carafe before serving any beverages.
11. Scalding may occur if the lid is removed during the brewing cycle.
12. The glass carafe is designed for use with this appliance only. It must never be used on the range top.
13. Do not set a hot carafe on a wet or cold surface.
14. Do not use a cracked carafe or a carafe with a loose or weakened handle.
15. Do not clean carafe or warming plate with cleansers, steel wool pads, or other abrasive materials.
16. **Unplug from outlet when not in use and before cleaning; allow to cool before putting on or taking off parts, and before cleaning the appliance.**

SAVE THESE INSTRUCTIONS FOR HOUSEHOLD USE ONLY

GROUNDING INSTRUCTIONS

For your protection, Waring Pro™ Coffeemakers are equipped with a 3-conductor cordset that has a molded 3-prong grounding-type plug, and should be used in combination with a properly connected grounding-type outlet as shown in Figure A. If a grounding-type outlet is not available, an adapter, shown in

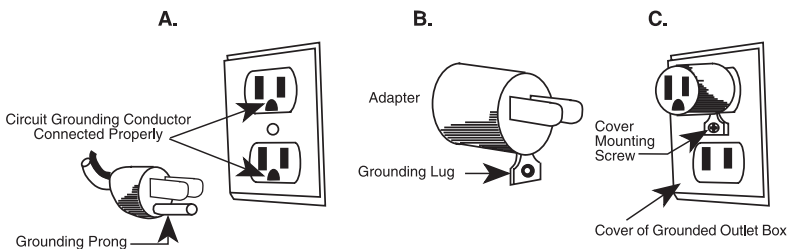


Figure B, may be obtained so that a 2-slot wall outlet can be used with a 3-prong plug. As shown in Figure C, the adapter

must be grounded by attaching its grounding lug under the screw of the outlet cover plate.

CAUTION: Before using an adapter, it must be determined that the outlet cover plate screw is properly grounded. If in doubt, consult a licensed electrician. Never use an adapter unless you are sure it is properly grounded.

Note: Use of an adapter is not permitted in Canada.

1) A short power-supply cord (or detachable power-supply cord) is provided to reduce risks resulting from becoming entangled in or tripping over a longer cord.

2) Longer detachable power-supply cords or extension cords are available and may be used if care is exercised in their use.

3) If a long detachable power-supply cord or extension cord is used,

- a) The marked electrical rating of the detachable power-supply cord or extension cord should be at least as great as the electrical rating of the appliance.
- b) If the appliance is of the grounded type, the extension cord should be a grounding-type 3-wire cord, and
- c) The longer cord should be arranged so that it will not drape over the counter top or table top where it can be pulled on by children or tripped over.

	WARNING RISK OF FIRE OR ELECTRIC SHOCK DO NOT OPEN	
WARNING: TO REDUCE THE RISK OF FIRE OR ELECTRIC SHOCK, DO NOT REMOVE COVER (OR BACK) NO USER-SERVICEABLE PARTS INSIDE REPAIR SHOULD BE DONE BY AUTHORIZED SERVICE PERSONNEL ONLY		



The lightning flash with arrowhead symbol within an equilateral triangle is intended to alert the user to the presence of uninsulated dangerous voltage within the product's enclosure that may be of sufficient magnitude to constitute a risk of fire or electric shock to persons.



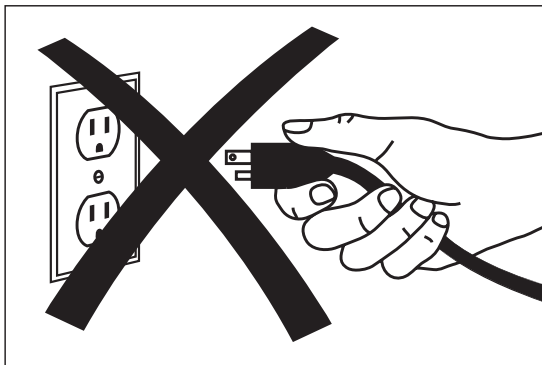
The exclamation point within an equilateral triangle is intended to alert the user to the presence of important operating and maintenance (servicing) instruction in the literature accompanying the appliance.

CONTENTS

Important Unpacking Instructions	1
Important Safeguards	1
Introduction	5
Parts	6
Features and Benefits	6
Important Steps to Follow before Brewing Coffee	8
Making Coffee – Important Steps to Follow	9
Cleaning and Maintenance	11

IMPORTANT NOTICE

Do not plug into electrical outlet or turn unit on until water tank has been filled.



INTRODUCTION

The Waring Pro™ Coffeemaker is engineered to make up to 12 cups of coffee simply, quickly and efficiently. Water added to the 18-cup reservoir is automatically preheated and held at optimum brewing temperature. To make coffee, you simply pour tap water into the water fill area, which displaces the preheated water, sending it from the reservoir to the brew basket. This pre-heat/hold function produces up to twelve 5-ounce cups of coffee in approximately 4½ minutes!

NOTE: The instant hot water feature is meant for dispensing hot water only. Do not add any other liquids, powders, or solid materials to the fill area.

While coffee is brewing, the tap water that was added is preheated in the reservoir. The ready indicator light (green) will come on when optimum brewing temperature is reached. Simply place a new filter and ground coffee into the brew basket and add desired amount of water to be brewed to make a second carafe of coffee.

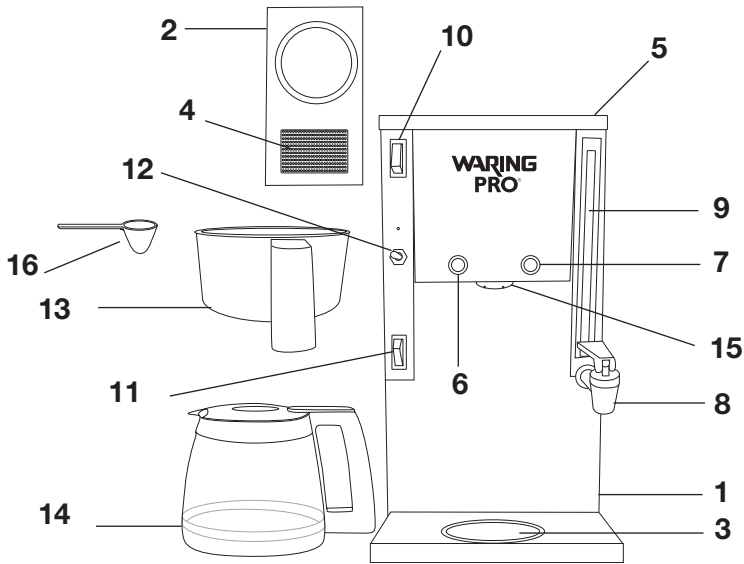
The quality, grind and amount of coffee used will determine coffee flavor. Each should be adjusted to the user's taste.

Instant hot water spout: Up to 6 cups of hot water are available for tea, hot chocolate, instant soups, and other beverages.



NOTE: This coffeemaker is designed to keep water hot at all times. After the power is turned off, the coffeemaker will require an initial warm-up time of 13 minutes to bring water back to optimum brewing temperature.

The coffeemaker should be turned off and unplugged when not in use for a period of 3 or more days. Water can slowly evaporate, eventually emptying the reservoir tank.



PARTS

- | | |
|--|---|
| 1. Base Unit | 9. Instant Hot Water Glass Indicator Window |
| 2. Upper Warming Plate (top view) | 10. Upper Warming Plate On/Off Switch |
| 3. Lower Warming Plate | 11. Lower Warming Plate On/Off Switch |
| 4. Water Fill Area for Water Reservoir Tank (top view) | 12. Power Switch On/Off |
| 5. Stainless Steel Water Reservoir Tank | 13. Brew Basket |
| 6. Ready Indicator – green light | 14. 12-Cup Coffee Carafe – two included |
| 7. Add Water Indicator – blue light | 15. Spreader |
| 8. Hot Water Spout | 16. Measuring Scoop |

FEATURES AND BENEFITS

Instant Hot Water Spout

The hot water spout enables you to instantly prepare up to 6 cups of hot chocolate or tea.



NOTE: The instant hot water feature is meant for dispensing hot water only. Do not add any other liquids, powders, or solid materials to the fill area.

Important Notice: USE CAUTION when dispensing hot water from the coffeemaker. The water is only about 20° lower than boiling point.

Add Water Indicator – Blue Light

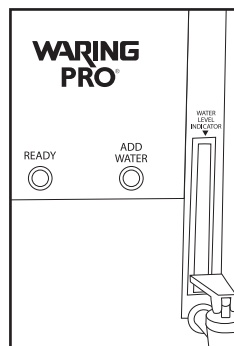
The add water indicator light (blue) reminds the user to add water for the instant hot water feature. The user needs to pour water slowly into the fill area until the add water indicator light goes out. Or, add water to fill area until the float ball inside the glass indicator window has risen to the MAX level.

Glass Indicator Window

Reminds the user to add water for the instant hot water feature. The glass indicator window will indicate how many cups of water need to be added to fill area. This must be filled to maximum level before brewing a pot of coffee.

Ready Indicator

The ready indicator light (green) will illuminate when the water reservoir is full and the water is at optimum brew temperature.



Brew Basket

The brew basket handle makes it convenient to slide the basket out and discard the used coffee filter and grounds. The brew basket has three feet on the bottom to allow the basket to stay level while inserting a new filter and measuring out the coffee. The brew basket uses standard 10-12 cup size cupcake coffee filters.

Coffee Carafes

The easy-pour, no-drip carafes have ergonomic handles and brewed coffee markings for four to twelve 5-ounce cups.

The spouts on the carafes are dripless to make pouring easy and safe.

For added convenience, one of the carafes has an orange marking on the handle to differentiate decaffeinated from caffeinated coffee.

The carafes have markings on both sides. The side marked "Water" is to be used for measuring water when making coffee. The side marked "Coffee" indicates the amount of coffee brewed.

Warming Plates

The coffeemaker has two warming plates, upper and lower. The upper warming plate located on top of the unit lets a carafe of coffee stay warm while another pot of coffee is brewing on the lower warming plate. The On/Off power switches for the upper and lower warming plates are located on the upper left side of the coffeemaker.

PLEASE NOTE: WHILE ON, WARMING PLATES ARE VERY HOT. PLEASE KEEP HANDS AWAY, AND DO NOT PLACE ANY OBJECTS ON THE PLATES OTHER THAN CARAFES.

Spreader

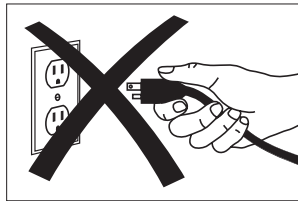
The spreader distributes hot water evenly over the coffee grounds. The spreader is located under the mid-section of the coffeemaker and may be removed for cleaning and inspection for clogged holes. To remount, turn clockwise to tighten. See #15, page 6.



Important Notice: Do not leave the coffeemaker in the power ON position if you will be away from your home for more than 3 days, as the water will evaporate from the heater tank. In this situation, turn the unit off and unplug the coffeemaker from the electrical outlet until you return home.

IMPORTANT STEPS TO FOLLOW BEFORE BREWING COFFEE

Do not plug coffeemaker into electrical outlet until water is added to the fill area.



1. Wash coffee carafes with warm soapy water, rinse well and dry.
2. Place one of the two empty carafes on the lower warming plate and slide the empty brew basket into position above the carafe. Pour one and a half carafes of clean water (18 cups) into the top fill area. Use side of carafe marked "Coffee" for initial measurement.

3. Plug unit into electrical outlet. Flip the power switch to On position and allow unit to heat until the ready light (green) is lit – approximately 13 minutes.

Note: This coffeemaker has an initial heat-up time of 13 minutes. The coffeemaker is designed to remain in the On position except for extended leave or vacation from your home. Every time the coffeemaker is turned to the Off position, it will require a 13-minute heat-up time prior to its next use.

4. If more water is needed, the add water indicator light (blue) will be lit. If this is the case, slowly pour water to the fill area until the add water indicator goes out, indicating that the water reservoir tank is now filled. Or, add water as indicated in glass indicator window until blue light goes out.
5. Make sure the ready indicator light (green) is lit. If it is not lit, wait until it is, to ensure that the water has heated to the proper temperature, approximately 200°F.

MAKING COFFEE – IMPORTANT STEPS TO FOLLOW

Before making the first pot of coffee in your new Waring Pro™ Coffeemaker, we recommend operating the coffeemaker twice using only water. Do not use paper filter or coffee grounds. This will remove any dust or residue in the system.

1. Place an empty glass carafe in its position on the lower warming plate.
2. Check to see if the add water indicator light is lit. If it is, slowly pour water to the fill area until the add water indicator light goes out. Or, add water as indicated in the glass indicator window until add water indicator light goes out.
3. Ready indicator light should be lit, indicating that the water has reached the proper brewing temperature. Note: The ready indicator will not light if the add water indicator is on.
4. Place an empty carafe on the lower warming plate.

5. Remove the brew basket by grasping the handle and pulling straight out. Place it on the countertop. Insert a 10-12 cup size cupcake paper filter into the brew basket. Be sure that the coffee filter is completely open and fully inserted into the basket. Add the desired amount of ground coffee, corresponding to the number of cups being brewed. We recommend using 1 level tablespoon or scoop of ground coffee per cup. Always use coffee that is ground for drip style coffeemakers. You can use less to suit your taste.

NOTE: The maximum capacity for ground coffee is 12 level tablespoons or scoops for this 12-cup coffeemaker. Do not use more than 12 level tablespoons or scoops. Exceeding this amount of coffee may cause overflow. Coffee that is too finely ground will also cause overflow. For finely ground coffee, use no more than 9 tablespoons or scoops. Slide brew basket into position.

6. Fill carafe with desired amount of water corresponding to the number of cups being brewed from the side of the carafe marked "Water". Slowly pour into the fill area.

Note: Minimum amount of coffee to brew is 4 cups.

If less than 4 cups is added to water fill area, the hot water will not displace.

7. Turn the lower warming plate switch (red light) to the On position.
8. 12 (5-ounce) cups of coffee will brew in approximately 4½ minutes.
9. When brewing is completed for the day, turn upper and lower warming plate power switches to the Off position.

Do not turn the power off.

Note: If you are making a pot of coffee, make sure the add water light is not lit before proceeding. If lit, please add water to the water fill area until light goes out. Or, add water as indicated in the glass indicator window.



Instant Hot Water

This coffeemaker will dispense up to 6 cups of hot water on demand. To replenish hot water, slowly pour water into fill area until add water indicator goes out. Or, add water to fill area as indicated in glass indicator window.

USE CAUTION when dispensing hot water from the coffeemaker. The water is only about 20° lower than boiling point.

IMPORTANT NOTE

Special care should be taken when pouring water to the fill area for the instant hot water supply. If too much water is added to the reservoir, the hot water will overflow onto the lower carafe warming plate. It is advisable to place a carafe on the lower warming plate to catch excess water in case of overflow. Please pour water slowly.

Note: The instant hot water feature is meant for dispensing hot water only. Do not add any other liquids, powders or solid materials to the fill area.

CLEANING AND MAINTENANCE

CAUTION: DO NOT CLEAN WITH ANYTHING OTHER THAN CLEAN, FRESH WATER. DOING SO WILL CAUSE DAMAGE TO THE UNIT.

Carafes can be cleaned with warm sudsy water. Rinse well. Exterior can be wiped clean with a damp microfiber cloth. Warming plates may be cleaned with a damp cloth or sponge.

At the end of each day the warming plates should be turned off and the carafes washed and dried.

If you have not used your coffeemaker for a period of time exceeding 3 days and would like to replace the water in the water reservoir, cycle the coffeemaker twice, using 12 cups of water and a paper filter each time. Or, you can turn the coffeemaker upside down and drain it in the sink.

© 2008

Waring Consumer Products

Division of Conair Corporation

150 Milford Road, East Windsor, NJ 08520

www.waringproducts.com

Printed in China

08WR205

IB-5348A