

SECTION 6  
USER'S MANUAL

**VISOR CLIP INSTALLATION**



Figure 6-1

- Slide visor clip into mating slot on back of transmitter.
- \*\* Tips for using your transmitter \*\***
- Point transmitter directly at the door when pressing the button.
- Note: The door will automatically stop at the end of the open or close cycle.**
- Do not leave your transmitter in an unlocked car.

**TRANSMITTER CARE & MAINTENANCE**

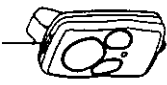


Figure 7-1

- Replacing the battery-
- Using a small coin press open the slot at the top of the transmitter. (Figure 7-1)
  - INSTALL the new battery in the same position. Use a 12 Volt battery.
  - Snap both sides of transmitter back together.
- If your transmitter is lost or stolen, you need to prevent that transmitter from operating your garage door opener.
- PRESS and HOLD PRG/ERASE button until LED goes out. This will take about 10 seconds. All access device codes are now erased from transmitter memory.
  - RE-PROGRAM all transmitters. See instructions for programming the receiver.

**WAYNE DALTON**  
STAND-ALONE RADIO SYSTEM

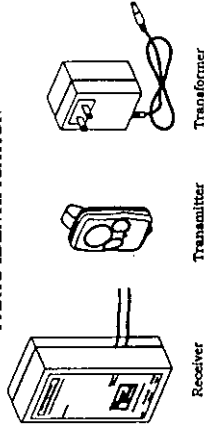


**Universal Conversion Kit**

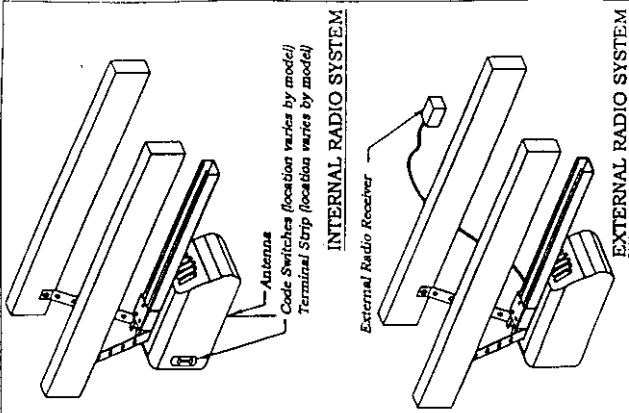
Installation and Programming Instructions for use with all brands of garage door openers.

*Do not install this system unless all garage door opener safety features are working properly. Garage door openers manufactured before 1982 should not be modified or repaired because they do not include all available safety features.*

**PARTS IDENTIFICATION**



The Wayne Dalton Stand-Alone Radio System replaces the existing radios in openers with internal and external radio systems. The installation process will vary slightly depending upon your opener's radio system.



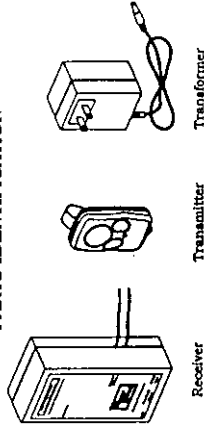
**WAYNE DALTON**  
STAND-ALONE RADIO SYSTEM

**Universal Conversion Kit**

Installation and Programming Instructions for use with all brands of garage door openers.

*Do not install this system unless all garage door opener safety features are working properly. Garage door openers manufactured before 1982 should not be modified or repaired because they do not include all available safety features.*

**PARTS IDENTIFICATION**



The Wayne Dalton Stand-Alone Radio System replaces the existing radios in openers with internal and external radio systems. The installation process will vary slightly depending upon your opener's radio system.

**WARNING**

**MOVING DOOR CAN CAUSE SERIOUS INJURY OR DEATH.**

- DO NOT install remote unless the door opener's safety reverse system works as required by the door opener's manual.
- Wall control must be mounted in sight of door, at least 5 feet above the floor and clear of moving door parts.
- KEEP PEOPLE CLEAR of opening while door is moving.
- DO NOT allow children to play with the remote control or door opener.

**IF SAFETY DOES NOT WORK PROPERLY:**

- Close door, then disconnect opener using manual release handle.
- DO NOT use remote control or door opener.
- Refer to Door and Door Opener Owner's Manual before attempting any repairs, any repairs.



**ELECTRICAL SHOCK CAN CAUSE SERIOUS INJURY OR DEATH.**

- Power cord must be unplugged before attaching any wires.
  - Be sure wire ends do not touch each other or other terminals.
- If you have any question or if you need a manual, contact to distributor or manufacturer of the garage door opener.

**FCC CERTIFICATION**

**FCC CERTIFIED**

This device complies with FCC Part 15 of the FCC rules. Operation is subject to the following two conditions:

- This device may not cause harmful interference, and
- this device must accept any interference received, including interference that may cause undesired operation.

Changes or modifications not expressly approved by the manufacturer could void the user's authority to operate the equipment.

**GETTING STARTED**

- UNPLUG garage door opener. (Figure 1-1)
- Remove batteries from all old remote controls.

**Note: If your opener is equipped with a wireless keypad or you use other access devices such as a mini-remote control, the batteries must be removed from these devices as well. Failure to remove the batteries from all remote controls may prevent proper operation of the Wayne Dalton Stand-Alone Radio System.**

- For openers with external radios-
  - DISCONNECT the existing external radio receiver from the garage door opener. (Figure 1-2)

- For additional security, remove and store away all old remote controls and external radio receiver (if equipped).

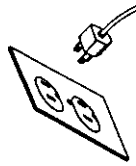


Figure 1-1

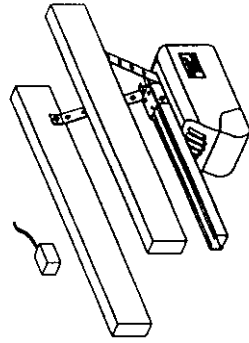


Figure 1-2