

7

## Interface Cable Cover Installation

Cable Cover is used to shield and support Interface cable. Depending on ceiling height, cable cover may need to be trimmed to fit. Measure distance along ceiling from light fixture to front of wall and along wall from ceiling down to power head. If necessary, trim cable cover to this total length.

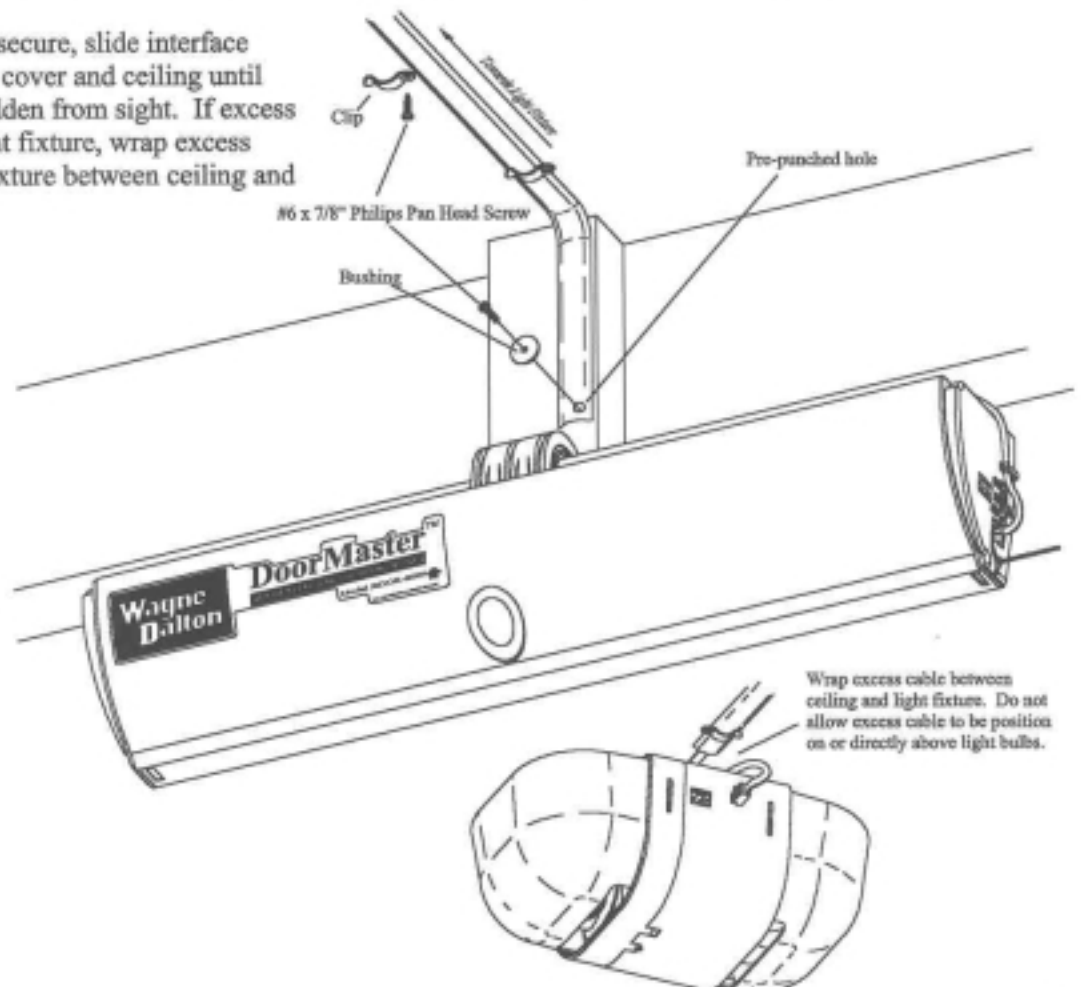
### Method 1.

Insert bushing into hole in cable cover end. Position cable cover and bushing above power head, against wall, and secure with (1) #6 x 7/8" philips pan head screw through bushing into wall. Route cable cover up wall, onto ceiling and secure cable cover to ceiling using a #6 x 7/8" philips pan head screw through a cable cover clip as shown. Route cable cover in a straight line from power head to light fixture installing cable cover clips equidistant from each other making sure the clips are all oriented the same as shown.

### Method 2.

Insert bushing into hole in cable cover end. Position cable cover and bushing on ceiling centered at light fixture and secure with a #6 x 7/8" philips pan head screw. Route cable cover, in a straight line, towards power head and secure cable cover to ceiling, just before the ceiling and the wall meet, with a cable cover clip and a #6 x 7/8" philips pan head screw. Run cable cover down wall towards the power head and secure cable cover end with another clip and screw. Place remaining clips and screws along ceiling equidistant apart taking up slack of cable cover between light fixture and power head making sure all clips are oriented the same way.

Once cable cover is secure, slide interface cable between cable cover and ceiling until interface cable is hidden from sight. If excess cable remains at light fixture, wrap excess cable around light fixture between ceiling and light fixture.



8

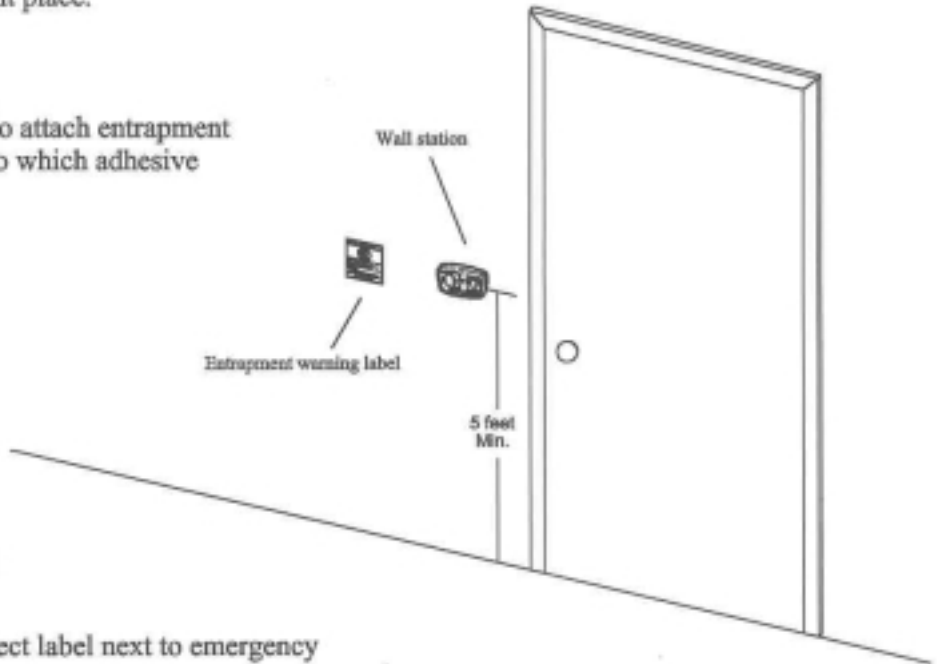
# Label Placements

## Entrapment Warning Label



Install entrapment warning label next to wall station in a prominent place.

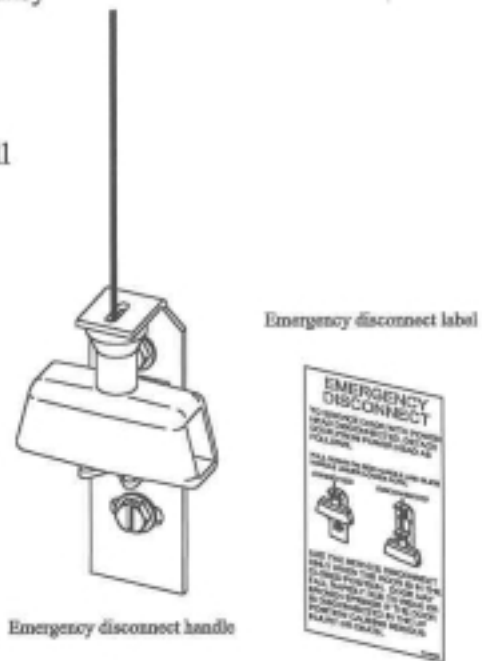
Use mechanical fasteners to attach entrapment warning label to surfaces to which adhesive will not adhere.



## Emergency Disconnect Label

Install emergency disconnect label next to emergency disconnect handle on right door jamb.

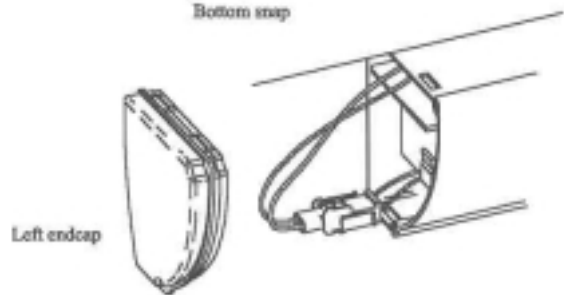
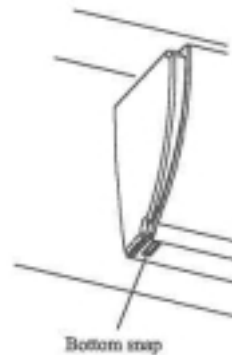
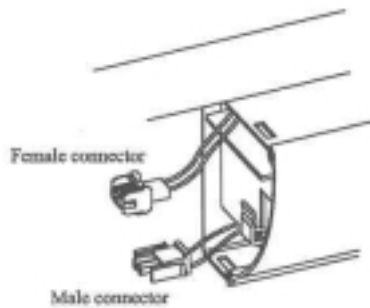
Use mechanical fasteners to attach emergency disconnect label to surfaces to which adhesive will not adhere.



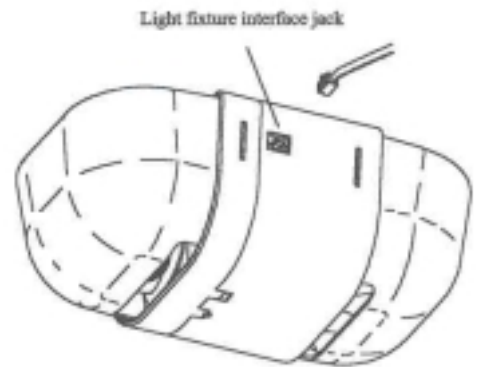
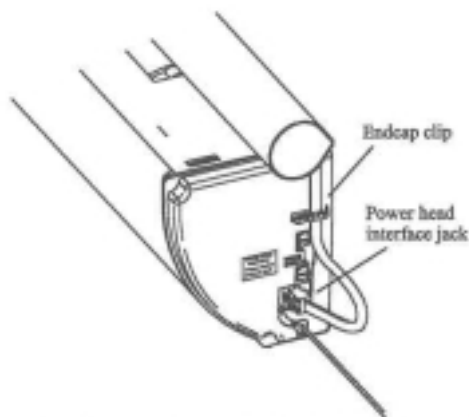
## 9

## Electrical Connections

Remove left hand endcap by applying pressure to bottom snap with screwdriver, then rotating bottom of endcap outward until endcap is removed accessing battery connectors. Next, attach male battery pack connector to female power head connector. Tuck connectors and excess wiring into power head and reinstall endcap.

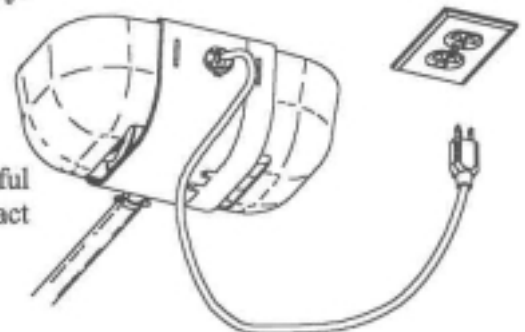


Slide interface cable into endcap clip and then plug connector into power head interface jack. Plug opposite end of interface cable into light fixture interface jack.



**To reduce the risk of electrical shock, connect the power cord only to a properly grounded three prong, 120 Volt outlet. Do not use an extension cord or change the plug in any way.**

Plug light fixture into electrical outlet. As soon as power is applied to unit, light fixture will flash once indicating a successful connection has been made. If plug does not fit into outlet, contact a qualified electrician to install proper outlet.



## Control Programming

The wall station and transmitter controls are programmed to match the operator at the factory and require no additional programming. If replacement or accessory controls have been purchased or custom transmitter button settings are desired, the controls will need to be programmed.

### Wall Station Programming

To verify that the wall station is matched to the operator, press the wall station up/down button. The light fixture will flash one time to indicate a matched control, and transmitter programming may not be performed. If instead, light fixture LED blinks rapidly while holding the wall station up/down button, the wall station needs to be programmed.

To program the wall station:

- 1) Press the light fixture program button; Light fixture LED will light.
- 2) Press and hold wall station up/down button for 1-2 seconds; Light fixture LED will turn off.
- 3) Press and hold wall station up/down button for 1-2 seconds again; Light fixture LED will light, briefly, then blink rapidly.

Wall station is now programmed.

Rapid light fixture LED blinking with no pause indicates a programming failure. Repeat steps 1-3.



### Transmitter Programming

To verify that the transmitter is matched to the operator, press the large transmitter button. The light fixture will flash one time to indicate a matched control. If instead, the light fixture LED blinks rapidly while holding down the large transmitter button, the transmitter needs to be programmed.

NOTE: Only the large transmitter button is pre-programmed. Any of the three transmitter buttons can be programmed to activate the door. In multi-door installations, each button or a combination of two buttons pushed at the same time can be programmed to activate a separate door.

To program the Transmitter:

- 1) Press program button on light fixture OR transmitter program button on wall station; light fixture LED will light.
- 2) Press and hold the desired transmitter button for 1-2 seconds; light fixture LED will turn off.
- 3) Press and hold same transmitter button(s) again; light fixture LED will light briefly, then blink rapidly.

Transmitter is now programmed.

Rapid light fixture LED blinking with no pause indicates a programming failure. Repeat steps 1-3.



NOTE: The operator can be activated by up to six remote control devices (including wall station and keyless entry controls). If a seventh control is programmed, one of the programmed controls will be overwritten and will no longer activate the operator. To clear the programming of all remote control devices, press and hold the light fixture program button for approximately ten seconds. When the light fixture LED goes out, all controls are erased.

11

# Install Routine

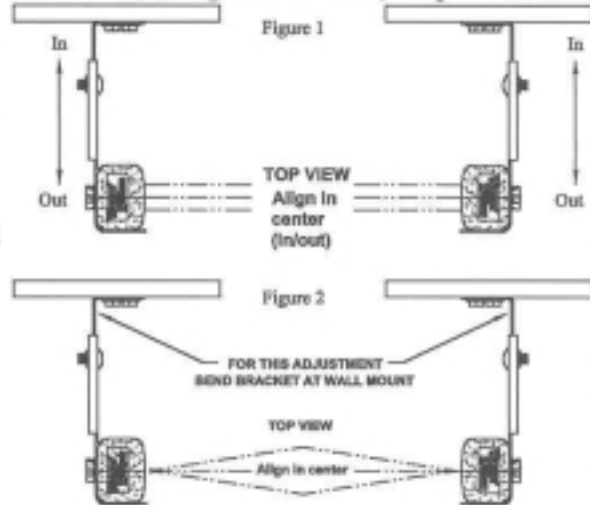
Model BIRW-2000 Only



**IMPORTANT:** This infrared beam sensor sends an invisible beam of light from the sending unit to the receiving unit across the pathway of the door. The door operator will not operate until the beam sensor is connected to the power unit and properly aligned. If the invisible beam of light is obstructed, an open door cannot be closed by the transmitter or a momentary activation of the wall mounted push button. However, the door may be closed by holding your finger on the wall push button (constant pressure) until the door starts and continues to travel to a fully closed position.

Prior to install routine, photo sensors must be aligned. Beam sensors must be aligned by moving sending and receiving units in or out (see Figure 1) until alignment light on receiving unit comes on. Carriage bolts can be loosened to move units in or out, as required. If you have difficulty aligning beams, check that both brackets are mounted at same height and re-mount if necessary. Additional minor adjustments can be made by lightly bending mounting brackets (see Figure 2).

Once the alignment light comes on, tighten all bolts and mounting screws.



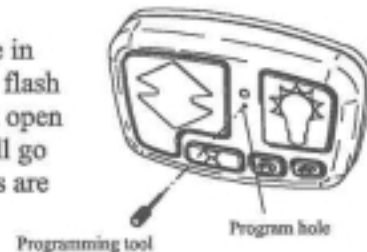
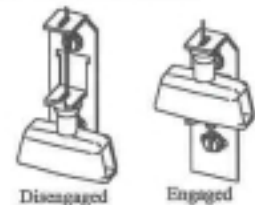
**WARNING:** During the install routine, the door will move up and down twice. Always keep a moving door in sight and away from people and objects until it is completely closed. **NO ONE SHOULD CROSS THE PATH OF A MOVING DOOR!**

Disengage emergency disconnect. Manually raise door to full open position. Then, lower door to full closed position to verify freedom of movement.

Re-engage emergency disconnect with door in fully closed position.

Door must be in fully closed position to initiate Install Routine!

Insert programming tool or similar object (paper clip, etc.) into hole in center of wall station and depress internal switch. Light fixture will flash twice indicating activation of install routine. Door will move to full open position and stop. Then, door will close completely. Next, door will go through one more up/down cycle. Once this is complete, door limits are set and installation is complete.



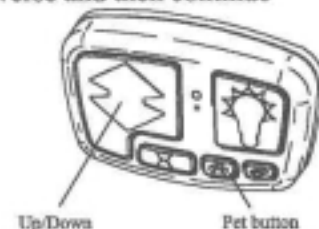
### Custom Upper Limit Setting

Custom upper limit may be set by the following procedure:

With the door in the full down position, press the install switch on the wall station with the programming tool. When the door is at the desired up position, at least four feet off the ground, press the up/down button on the wall station. The door will reverse and then continue through its normal installation routine with custom up position.

### Custom Pet Position

Normal install routine sets pet open height to approximately six inches above floor. Pet opening height may be changed to open anywhere between one inch and one foot above floor. To change automatic pet opening height perform the following procedure:



1.) After completion of normal Install routine, with door in the closed position, disconnect door from power head using emergency disconnect. Manually lift door to height more than one foot above floor. (Motor will start at one inch and stop above ten inches.) Manually lower door to desired pet pet position opening height and re-engage emergency disconnect.

2.) Simultaneously depress pet button and up/down button on wall station. Light fixture will flash once. The pet button is now programmed to automatically open the door to this custom height.

NOTE: Activation of the normal install routine always sets pet position opening to default 6" height. For usage of pet button feature see Operation.

NOTE: If light fixture does not flash, the door is either - too low or too high. Place door between 1" and 12" off the ground and repeat step 2.

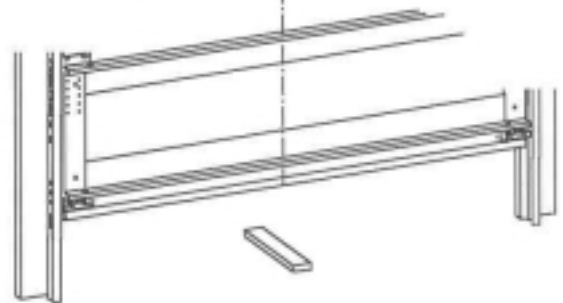
12

## Contact Obstruction Test

(Model: BDOR-2000/BIRW-2000)

After installing opener, door must reverse when it contacts a 1-1/2" object (or a 2 x 4 board laid flat) on the floor. To verify proper operation:

- Activate door to fully open position by pressing wall station up/down button.
- Place a 2 x 4 laid flat on garage floor under path of door (as illustrated).
- Activate door to closed position by pressing wall station up/down button; Upon contacting a solid object, the door should stop, then reverse direction within (2) seconds and travel to full open position.



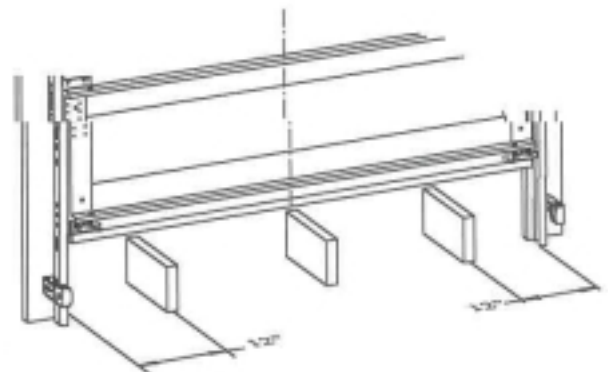
NOTE: If opener fails to pass this test, repeat Install Routine making sure door is in the fully closed position before beginning routine. If problem persists contact Wayne Dalton Customer Service.

(Model: BIRW-2000 Only)

After installing opener, door must reverse when photo beam sensor is blocked by a 6" x 12" objects placed in door opening. To verify proper operation:

- Activate door to fully open position by pressing wall station up/down button.
- Place a 6" x 12" object on the floor progressively one foot from the left side of the door; center of door and one foot from right side of door (as illustrated).
- Activate door to closed position by pressing wall station up/down button; door should move approximately one foot, stop and then reverse to fully open position.

If the door does not respond properly to this test, the photoelectric sensors must be adjusted (refer to Step 12). Repeat this test procedure.



If the door opener will not respond properly and fails this test, the door may cause severe injury or death; Have a qualified service person make repairs.

# Operation

## IMPORTANT SAFETY INSTRUCTIONS

**WARNING** - To reduce the risk of severe injury or death:

1. READ AND FOLLOW ALL INSTRUCTIONS.
2. Never let children operate or play with door controls. Keep remote controls away from children.
3. Always keep moving door in sight and away from people and objects until it is completely closed.  
**NO ONE SHOULD CROSS THE PATH OF THE MOVING DOOR.**
4. Test door operator monthly. The garage door **MUST** reverse on contact with a 1-1/2 inch high object (or a 2 x 4 board laid flat) on the floor. After adjusting the limit of travel, retest the door. Failure to adjust operator properly may cause severe injury or death.
5. For products having an emergency disconnect, when possible, use the emergency disconnect only when the door is closed. Use caution when using the release with the door open. Weak or broken springs may allow the door to fall rapidly, causing severe injury or death.
6. **KEEP GARAGE DOOR PROPERLY BALANCED.** See owner's manual. An improperly balanced door could cause severe injury or death. Have a qualified service person make repairs to cables, spring assemblies, and other hardware.
7. **SAVE THESE INSTRUCTIONS.**

### Door Activation

Upon activation by either wall station or transmitter, door will move in following manner:

1. If closed, door will open. If open, door will close.
2. If closing, door will stop, reverse, and return to open position. Next activation will close.
3. If opening, door will stop. Next activation will close.
4. If an obstruction is encountered or an out of balance condition is detected while closing, door will reverse, return to open position, and light fixture will flash three times. Next activation will close door.
5. If an obstruction is encountered or an out of balance condition is detected while opening, door will stop, and light fixture will flash three or four times. Next activation will close door.



**Never let children operate or play with door controls. Keep remote controls away from children. Fatal injury could result should a child become trapped between the door and the floor.**



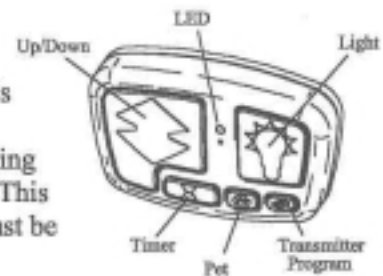
**Always keep moving door in sight and away from people and objects until it is completely closed. To prevent serious injury or death, avoid standing in the open doorway or walking through the doorway while door is moving.**

### Wall Station Operation

Momentarily pressing up/down button activates door. If a small out of balance condition causes door to stop while opening or closing, applying constant pressure to up/down button will allow operator to move door in this condition until problem is corrected. See [Troubleshooting Section](#).

If a gross out of balance condition causes door to stop while opening, applying constant pressure on up/down button will allow operator to move door up. This process can be repeated to open a door in this condition but the problem must be corrected. See [Troubleshooting Section](#).

If a gross out of balance condition caused door to stop while closing, out of balance condition **MUST** be corrected before the door can be lowered by operator. Constant pressure on up/down button will **NOT** allow door to be lowered in this condition. See [Troubleshooting Section](#).



transmitter program button allows for custom programming of transmitter controls or addition of extra transmitter controls. See [Transmitter Programming](#).

The wall station LED will light while any wall station button remains pressed. Rapid LED flashing while any wall station button is pressed indicates a weak wall station battery. See [Maintenance Section](#) for battery replacement.

### **TRANSMITTER OPERATION**

Momentarily pressing button programmed in Step 11 activates door. Small transmitter buttons can also be programmed to activate door, or in multi-door installations, each door or a combination of two buttons pushed together can be programmed to activate a different door. See [Transmitter Programming](#) for instructions.

The transmitter LED will light while any transmitter button remains pressed. Rapid LED flashing while any transmitter button is pressed indicates a weak transmitter battery. See [Maintenance Section](#) for battery replacement.

**WARNING! Manually lower door ONLY by Back-driving; See [MANUAL DOOR OPERATION - Back driving](#). Do not use emergency disconnect to lower door. Weak or broken springs may allow door to fall rapidly, causing severe injury or death.**

Momentarily pressing light button turns on light fixture. Light fixture will remain on until either Light button is pressed again or door is activated. Light fixture automatically turns on with door activation and remains on for four minutes thereafter. Pressing light button before four minutes has elapsed will turn off Light fixture.

Momentarily pressing timer button causes delayed activation of a stationary fully open door. Light fixture will flash for eight sec. then stay constant lit for two sec. prior to activating door allowing time to safely exit garage. Pressing any button, except for program button while light fixture is flashing cancels timer mode. NOTE: Timer feature will only function with door in open position. Pressing timer button with a stationary door in any other position will cause light fixture to flash four times and door will not be activated. While door is in motion, timer button functions identically to up/down button.

Momentarily pressing pet button activates a closed door and causes it to open to a position between 1" and 12" above floor, allowing pets to enter and exit garage without door being fully open. Next door activation will cause door to open. Pet feature will only function with door in fully closed position. Pressing pet button with a stationary door in any other position will cause light fixture to flash five times and door will not be activated. While door is in motion, pet button functions identically to up/down button. Pet feature allows for custom setting of pet position door height. See [Install Routine](#).



**Test operator monthly. The garage door MUST reverse on contact with a 1-1/2 inch object (or a 2 x 4 laid flat) on the floor. After adjusting the limit of travel, retest the door operator. Failure to adjust the operator properly may cause severe injury or death.**



**KEEP GARAGE DOOR PROPERLY BALANCED. See owner's manual. An improperly balanced door could cause severe injury or death. Have a qualified service person make repairs to cables, spring assemblies, and other hardware.**

### **MANUAL DOOR OPERATION - Back-driving**

NOTE: For security reasons, operator will automatically push door down if an attempt is made to manually raise door from a fully closed position.

The operator's high efficiency drive system allows door to be moved manually without disconnecting operator from door. To move door manually, apply a steady upward or downward force of approximately forty pounds directly to stationary door to move door to desired position.

Use emergency disconnect to raise door manually from fully closed position.



MANUAL DOOR OPERATION - Emergency Disconnect



The Emergency Disconnect should only be used when the door is closed. Do NOT use the Emergency Disconnect on an open door. Weak or broken springs may allow the door to fall rapidly, causing severe injury or death.

The operator is equipped with an emergency disconnect that allows door to be moved manually and independent from the operator. With door closed, pull on red disconnect handle, sliding handle underneath lower fork on handle bracket. This motion causes power head to disconnect from torque tube. Releasing handle from lower fork on handle bracket, releasing cable tension, causes power head to engage torque tube. When engaged, door can be moved manually by back-driving or automatically with wall station or transmitter controls.

NOTE: For security reasons, operator will attempt to push door down anytime door is moved manually from a closed position. With emergency disconnect disengaged, door will move; although, operator motor will run once door is raised above two inches. The operator motor will stop once door is raised above seven inches. After this sequence, once disconnect is re-engaged, door will have to operated for at least one partial open and close cycle to reactivate security features.

# Maintenance

MONTHLY MAINTENANCE

- A. Manually operate door with emergency disconnect disengaged. If door is unbalanced or binding have a qualified service person repair or adjust door.
- B. Perform contact obstruction test.

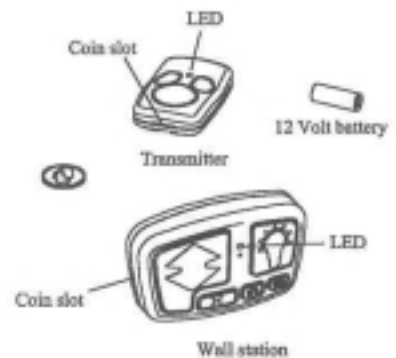
ANNUAL MAINTENANCE

Refer to Waynegard owner's manual for annual door maintenance.

BATTERY REPLACEMENT

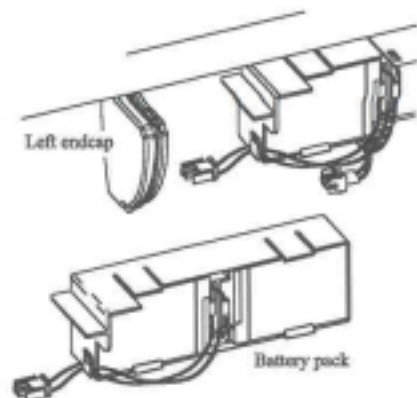
Inability to activate door from transmitter or wall station may be caused by a weak or dead battery. Press and hold activation button on either transmitter or wall station. Rapid blinking or no signal from the transmitter or wall station LED indicates a weak or dead battery.

Insert coin in slot in transmitter or wall station as illustrated and twist coin to reveal battery. Replace battery, being careful to match positive (+) symbol on circuit board with positive (+) symbol on battery.



NOTE: USE ONLY MN21 OR EQUIV. 12 VOLT BATTERY.

If light fixture blinks once at beginning and end of a door cycle, batteries in power head are low. This will occur if operator loses power for an extended period of time or unit was operated severely. In this case let batteries charge overnight to see if problem goes away. If problem persists, replace batteries. To remove batteries, disengage emergency disconnect. Remove left hand endcap by pressing in on bottom snap and pulling out endcap. Pull battery wiring out of housing and disconnect. Pull battery pack from power head and replace with new battery pack. Reconnect and tuck battery wiring into power head and reinstall endcap. Engage emergency disconnect.

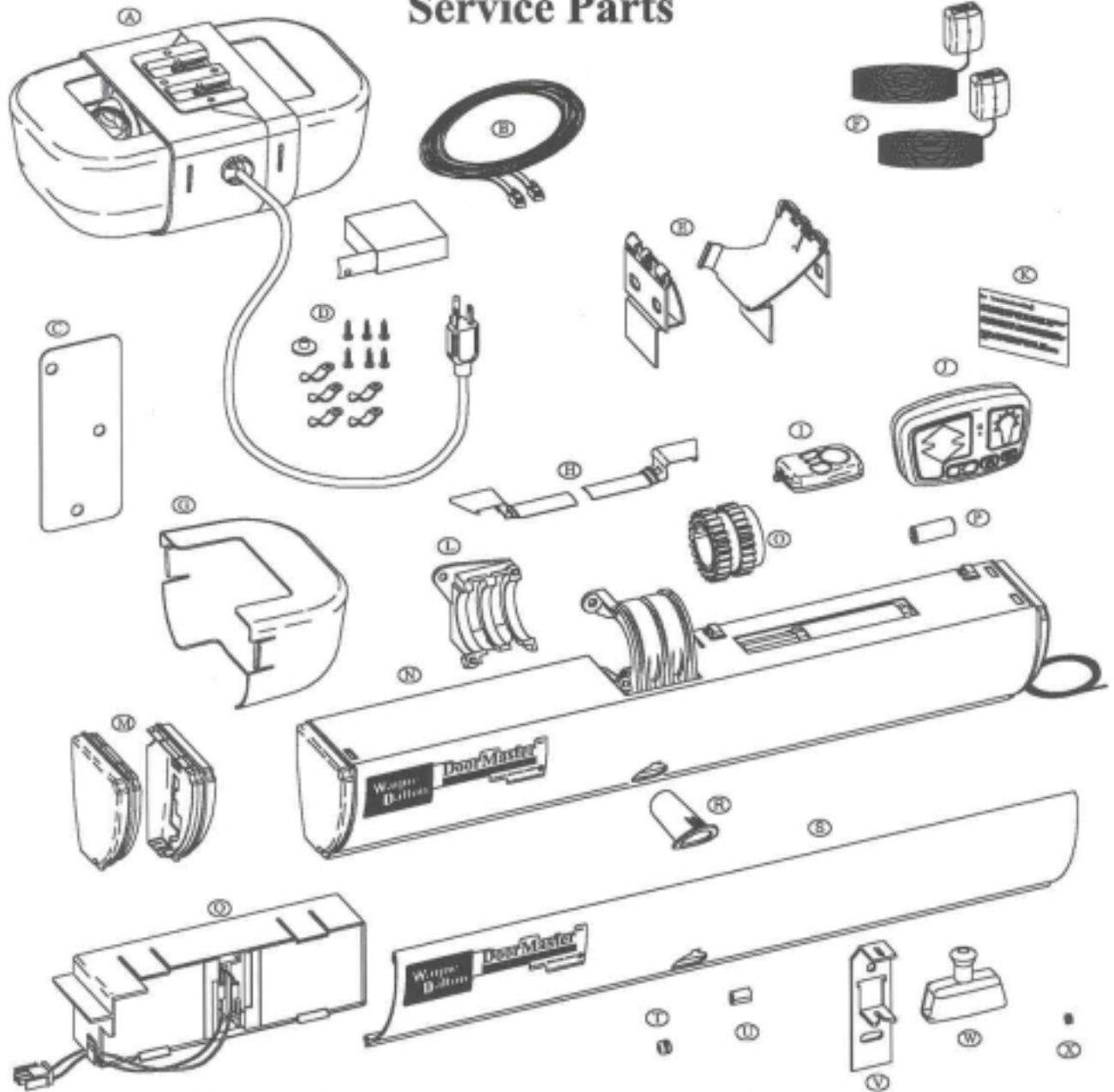


**WARNING! Batteries contain lead. Do not throw in trash. Recycle batteries. Call 1-800-SAV-LEAD for a recycle location near you.**

# Troubleshooting

Symptom	Probable Cause	Corrective Action
Operator does not respond to wall station or transmitter	No power to operator	Check light fixture cord to outlet circuit breaker, battery connections, battery condition
	Controls not programmed	See Programming Section
Operator works from wall station but not from transmitter	Transmitter not programmed	See Programming Section
	Weak/dead transmitter battery	Replace battery
Operator works from transmitter but not from wall station	Wall station not programmed	See Programming Section
	Weak/dead wall station battery	Replace battery
Door does not open and light fixture flashes one time	Install procedure not yet complete	Complete Install Procedure
	Blown fuse	Call service professional
	Dead batteries in power head	See Battery Replacement Step
Door stops or reverses, light fixture flashes three or four times	Obstruction encountered	Clear door path
Door does not close properly	Cables not on drum properly	Hold down up/down button or use emergency disconnect and close manually.
Door will not close	Thermal Delay: Door has cycled eight times in a five minute period.	Door will operate after a five minute waiting period signaled by a single light flash
	Contact obstruction test failure	Repeat Install Routine
Door does not travel to full open or full closed position	Door out of balance	Correct door balance
	Limits improperly set	Repeat Install Procedure

## Service Parts



(A) Light Fixture Kit, Complete (Includes "B" & "D")

(B) Interface Cable

(C) Drywall Adapter

(D) Interface Cable Cover Kit

(E) Lock Set (Right and Left Hand)

(F) Photo Electric Sensors (Sender and Receiver)

(G) Diffuser

(H) Cable Snubber Set (Right and Left Hand)

(I) Radio Transmitter (Remote Control), Complete w/battery

(J) Wall Station, Complete w/battery

(K) Reference Card

(L) Center Bracket

(M) Endcap Set (Right and Left Hand)

(N) Power Head, Complete (less batteries)

(O) Driven Gear

(P) 12 Volt Battery

(Q) Battery Pack

(R) Screw Cover

(S) Cover

(T) Grommet

(U) Cable Sleeve

(V) Handle Bracket

(W) Disconnect Handle

(X) Cable Bushing

**Questions?**  
**For quick answers &**  
**helpful advice, call**  
**Customer Service Pensacola**  
**(800) 676-7734**





Wayne-Dalton Corp.  
P.O. Box 67 • Mt. Hope, Ohio 44660

# DoorMaster™

## Model BDOR-2000

## Model BWIR-2000

### LIFETIME LIMITED WARRANTY

The Manufacturer warrants that its garage door opener will be free from defects in materials and workmanship for a period of **FIFTEEN YEARS** from the date of installation, provided it is properly maintained and cared for under normal use and service. Electronic components are covered under this warranty a period of **FIVE YEAR**. The motor has an extended **LIFETIME** warranty against defects in materials and workmanship.

This Warranty extends to the original homeowner, providing the garage door opener is installed in his/her place of primary residence. It is not transferable. The warranty applies to residential property only and is not valid on commercial or rental property,

**NO EMPLOYEE, DISTRIBUTOR, OR REPRESENTATIVE IS AUTHORIZED TO CHANGE THE FOREGOING WARRANTIES IN ANY WAY OR GRANT ANY OTHER WARRANTY ON BEHALF OF MANUFACTURER.**

The Manufacturer shall not be responsible for any damage result in to or caused by its products by reason of installation, improper storage, unauthorized service, alteration of products, neglect or abuse, any acts of nature beyond Manufacturer's control (such as, but not limited to, lightning, power surges, water damage, etc.), or attempt to use the products for other than the customary usage or for their intended purposes. The above warranty does not cover normal wear or any damage beyond Manufacturer's control or replacement labor.

**THIS WARRANTY COVERS A CONSUMER PRODUCT AS DEFINED BY THE HAGNUSON-MOSS WARRANTY ACT. NO WARRANTIES, EXPRESSED OR IMPLIED, (INCLUDING, BUT NOT LIMITED TO, THE WARRANTY OF MERCHANTABILITY OR FITNESS FOR A PARTICULAR PURPOSE), SHALL EXTEND BEYOND THE APPLICABLE TIME PERIOD STATED IN BOLD FACE TYPE ABOVE.**

Claims for defects in material and workmanship covered by this warranty shall be made in writing to the dealer from whom the product was purchased within the warranty period. Manufacturer may either send a service representative or have the product returned to the Manufacturer at Buyer's expense for inspection. If judged by Manufacturer to be defective in material or workmanship, the product will be replaced or repaired at the option of the Manufacturer, free from all charges except authorized transportation and replacement labor.

**THE REMEDIES OF BUYER SET FORTH HERIN ARE EXCLUSIVE AND ARE IN LIEU OF ALL OTHER REMEDIES, THE LIABILITY OF MANUFACTURER, WHETHER IN CONTACT, TORT, UNDER ANY WARRANTY OR OTHERWISE, SHALL NOT EXTEND BEYOND ITS OBLIGATION TO REPAIR OR REPLACE, AT ITS OPTION, ANY PRODUCT OR PART FOUND BY MANUFACTURER TO BE DEFECTIVE IN MATERIAL OR WORK SHALL NOT BE RESPONSIBLE FOR ANY DIRECT, INDIRECT, SPECIAL OR CONSEQUENTIAL DAMAGES OF ANY NATURE,**

This Warranty gives you specific legal rights which may vary from state to state. However, some states do not allow limitation on how long an implied warranty lasts or the exclusion or limitation of incidental or consequential damages so the above limitations or exclusions may not apply to you.

# Supplement Sheet

When installing the TorqueMaster drum, drum must have 1 1/2 pre-wraps of cable before winding the springs as shown in the illustration.

