

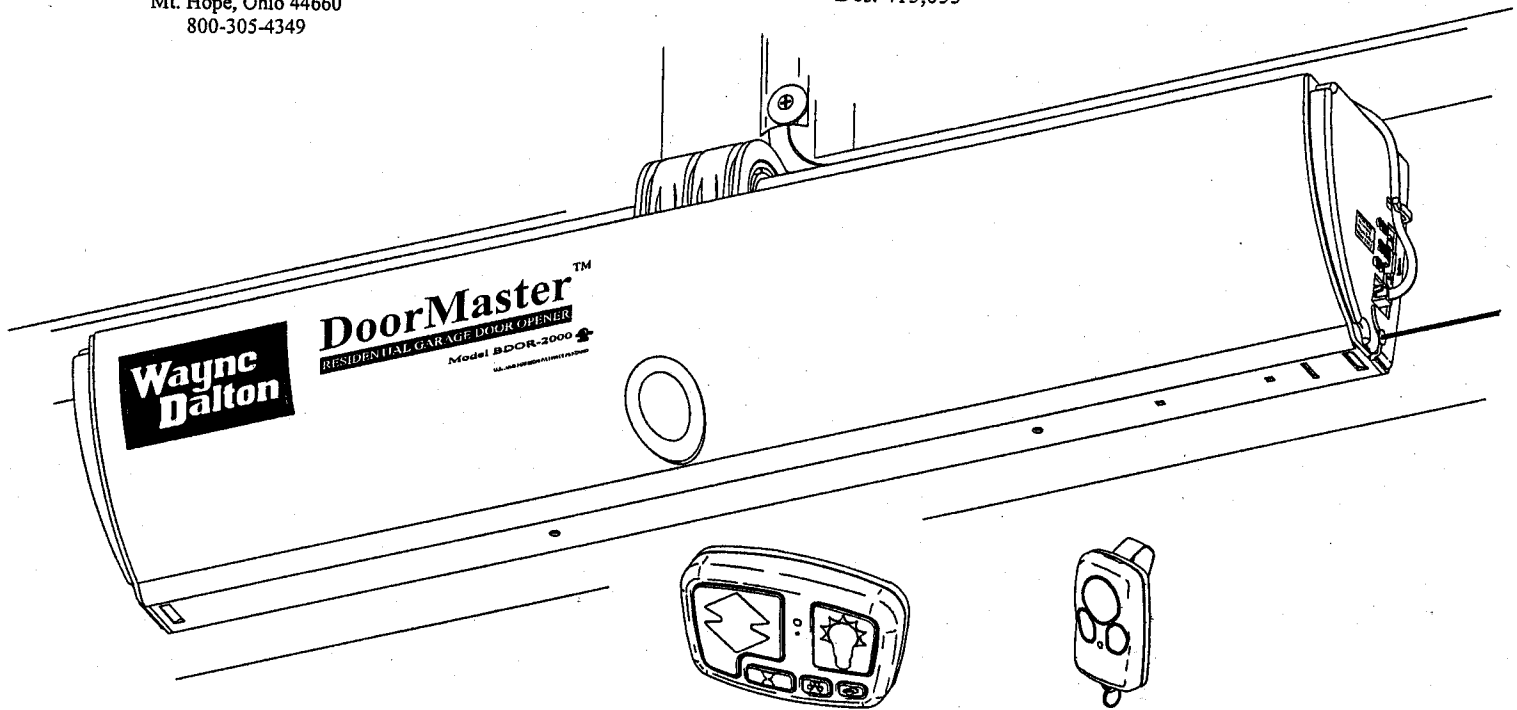


Wayne Dalton Corporation  
 P.O. Box 67  
 Mt. Hope, Ohio 44660  
 800-305-4349

# DoorMaster™

Residential Garage Door Opener  
 Model BDOR-2000/BIRW-2000

U.S. Patents: 5,929,580  
 5,931,212  
 Des. 413,055



## Important Notice!

Read the enclosed instructions carefully before installing/operating this garage door operator.  
 Pay close attention to all warning labels and notes.  
 This manual must be attached to the wall in close proximity to the garage door.

## Table of Contents

<b>System Requirements</b> _____	2	<b>Label Placements</b> _____	16
<b>Features</b> _____	3	<b>Electrical Connections</b> _____	17
<b>Pre-Installation</b> _____	4	<b>Control Programming</b> _____	18
<b>Package Contents</b> _____	5	<b>Install Routine</b> _____	19
<b>Important Installation Instructions</b> _____	6	<b>Contact Obstruction Test</b> _____	20
<b>Cable Snubber Wrap and Lock Installation</b> _____	7	<b>Operation</b> _____	21
<b>Center Bracket/Power Head Installation</b> _____	8	<b>Maintenance</b> _____	24
<b>Emergency Disconnect Installation</b> _____	10	<b>Troubleshooting</b> _____	25
<b>Photo Electric Sensor Installation (BIRW-2000)</b> _____	11	<b>Service Parts List</b> _____	27
<b>Wall Station Installation</b> _____	13	<b>Customer Service Number</b> _____	28
<b>Light Fixture Installation</b> _____	14	<b>Warranty</b> _____	29
<b>Interface Cable Cover Installation</b> _____	15		

# Features

## High Efficiency Motor and Drive Train Enclosed in Unique Header Mounted Case

- Requires no headroom beyond counterbalance system,
- Battery powered. Fully functional during power outages!
- Advanced electronics provide continuous monitoring of door forces and automatically stops or reverses door due to obstruction or out of balance condition.

## Deluxe Wall Station Control

- Oversized Up/Down button for easy opening and closing of garage door.
- Oversized light button for manual control of light fixture.
- Timer button for delayed door closing operation allowing user time to exit through door prior to door closing.
- Pet button automatically sets door to a slightly open position for pet access or ventilation.
- Transmitter program button allows convenient programming of remote controls.
- Convenient "one touch" limit setting.
- Wireless mounting for easy installation and clean appearance.

## Deluxe Remote Control Transmitter

- Three buttons for use with up to six separate doors.
- Secure Rolling Code: Eliminate remote door activation by would-be intruders.
- Convenient key chain or visor mounting.

## Deluxe Two Bulb Light Fixture

- Provides safety and automatic convenience light during door operation and remains on for five minutes after door motion stops.
- Can be operated independently from door operation using Wall Station Control.
- Provides signals to warn user of safety or operational problems.

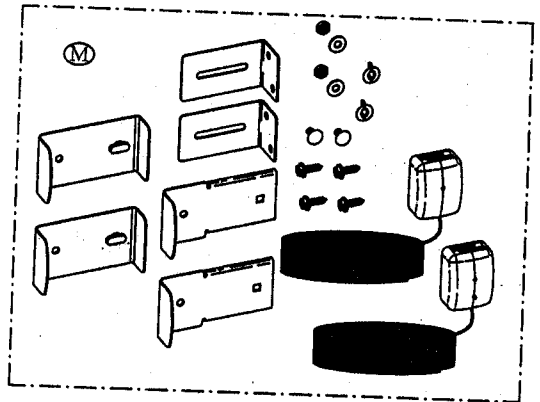
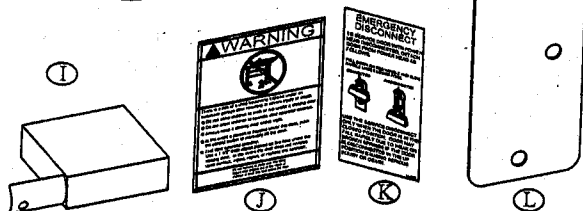
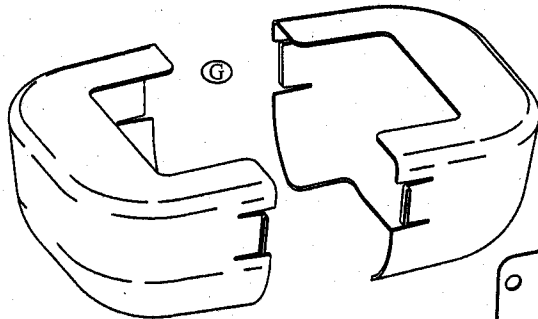
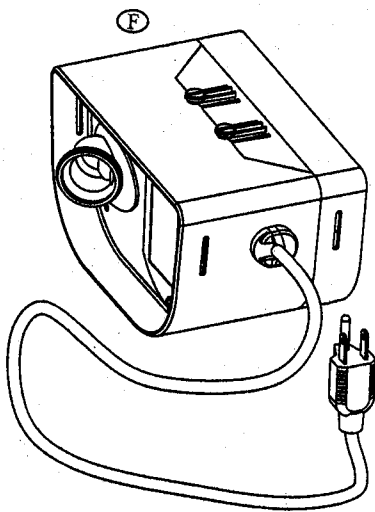
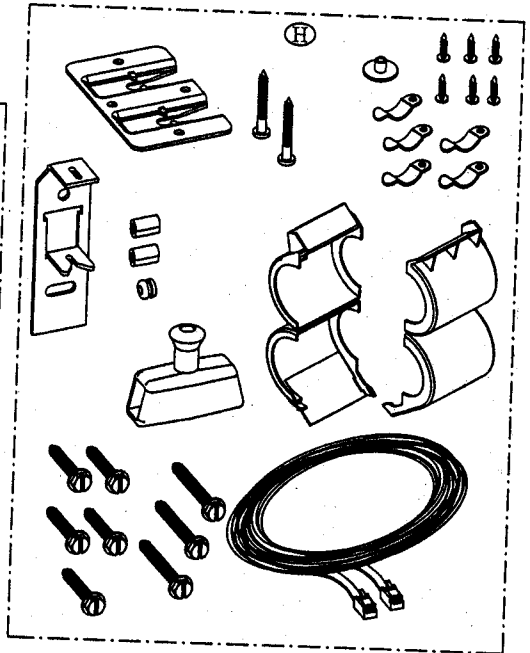
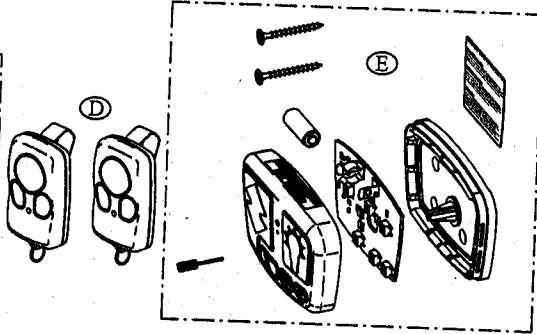
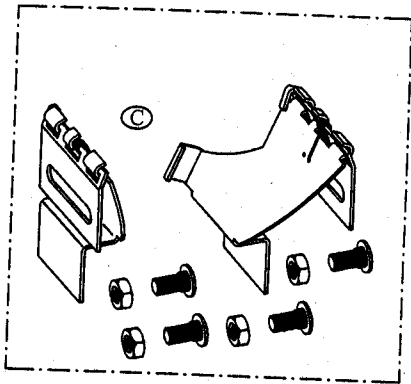
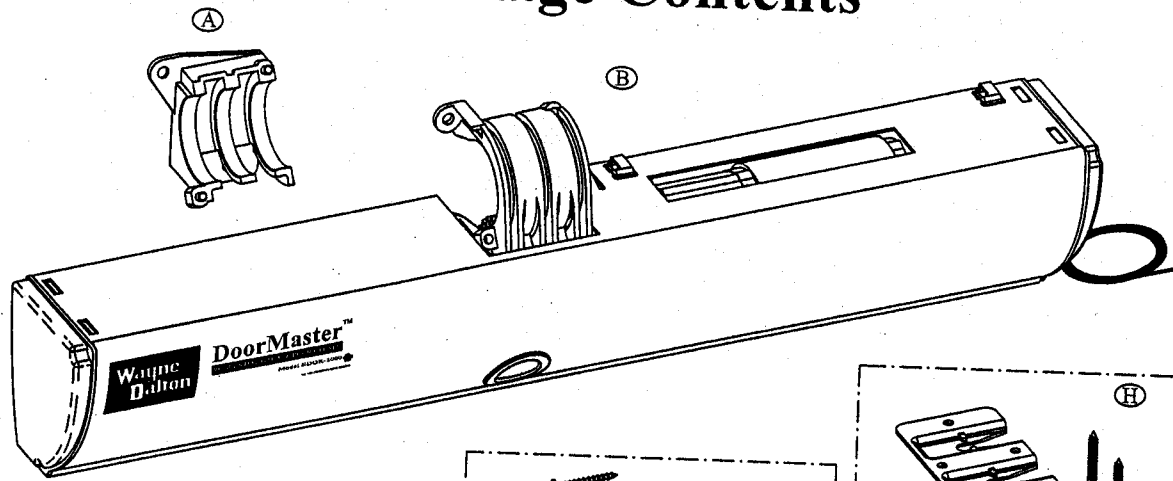
## Emergency Disconnect

- Allows door to be operated manually to verify and maintain proper door balance.

## Available Accessories

- Photo electric non-contact obstruction sensor - Wayne Dalton 7 Model No. ML2 Model BDOR Accessory (Required on Model BIRW-2000) - P/N 285338
- Keyless entry system - Wayne Dalton 7 Model No. KEP2-0000 - P/N 288830
- Longer (25 ft) Interface Cable - P/N 285652
- Additional Remote Transmitters - P/N 285254

# Package Contents



- (A) Die Cast center Bracket [1]
- (B) Power Head Unit [1]
- (C) Cable Lock set (1 Right/1 Left Hand) [1] (\*)
- (D) Radio Transmitters (Remote Control) [2]
- (E) Wall station Kit [1] (\*\*)
- (F) Light fixture [1]
- (G) Diffusers [2]
- (H) Hardware Pack [1] (\*\*\*)
- (I) Interface Cable Cover Roll [1]
- (J) Entrapment Warning Label [1]
- (K) Emergency Disconnect Label [1]
- (L) Drywall Adapter [1]
- (M) Photo Electric Sensors (Model BIRW-2000) [1 set]

(\*) (1) Left Hand Lock Assembly, (1) Right Hand Lock Assembly, (4) 3/8" Rib Neck Bolts, (4) 3/8" Nuts  
 (\*\*\*) (1) Cover/Button Assembly, (1) Base, (1) 12 Volt Battery, (1) Reference Card, (1) Programming Tool,  
 (1) Circuit Board, (2) #6 x 1-1/4" Wood Screws  
 (\*\*\*) (5) 1/4 x 1-1/2" Lag Screws, (3) 1/4 x 2" Lag Screws, (2) #10 x 1-1/2" Wood Screws, Light Fixture  
 Bracket, Grommet, (2) Cable Crimp Sleeve, Disconnect Handle, Snubber Wrap Set, Handle Bracket,  
 (5) Cable Cover Clips, Cable Cover Bushing, (6) #6 x 7/8" Pan Head Screws, Interface Cable

# IMPORTANT INSTALLATION INSTRUCTIONS

**WARNING: To reduce the risk of severe injury or death:**



READ AND FOLLOW ALL INSTALLATION INSTRUCTIONS.



Install only on a properly balanced garage door. An improperly balanced door could cause severe injury. Have a qualified service person make repairs to cables, spring assemblies and other hardware before installing operator.



Remove all ropes and remove or make inoperative all locks connected to the garage door before installing operator.



Where possible, install the door operator 7 feet or more above the floor. For products requiring an emergency release, mount emergency release 6 feet above the floor.



Do not connect operator to source of power until instructed to do so.



Locate the wall station: (a) within sight of door, (b) at a minimum height of 5 feet so small children can not reach it, and (c) away from all moving parts of the door.



Install entrapment warning label next to wall station in a prominent location. For products requiring an emergency disconnect, install the emergency release marking on or next to the emergency release.



After installing operator, the door must reverse when it contacts a 1-1/2 inch high object (or a 2 x 4 board laid flat) on the floor.



Do not wear rings, watches, or loose clothing when installing or servicing a garage door system.



Installing and wiring must comply with local building and electrical codes. Connect the power cord to a properly grounded outlet. Do not remove ground pin from power cord.

**AFTER INSTALLATION IS COMPLETE, FASTEN THIS MANUAL NEAR GARAGE DOOR. PERFORM PERIODIC SAFETY CHECKS, MAINTENANCE AND ADJUSTMENTS, AS RECOMMENDED.**

NOTE: This equipment has been tested and found to comply with the limits for a Class B digital device, pursuant to Part 15 of the FCC Rules. These limits are designed to provide reasonable protection against harmful interference in a residential installation. This equipment generates, uses and can radiate radio frequency energy and, if not installed and used in accordance with the instructions, may cause harmful interference to radio communications; However, there is no guarantee that interference will not occur in a particular installation. If this equipment does cause harmful interference to radio or television reception, which can be determined by turning the equipment off and on, the user is encouraged to try to correct the interference by one or more of the following measures: Reorient or relocate the receiving antenna. Increase the separation between the equipment and receiver. Connect the equipment into an outlet on a circuit different from that which the receiver is connected. Consult the dealer or an experienced radio/television technician for help. **WARNING:** Changes or modifications to this unit not expressly approved by the party responsible for compliance could void the user's authority to operate this equipment.

## FCC/INDUSTRY CANADA REGULATORY INFORMATION

Operation is subject to the following two conditions: (1) this device may not cause interference, and (2) this device must accept any interference, including interference that may cause undesired operation of the device.

# Control Programming

The wall station and transmitter controls are programmed to match the operator at the factory and require no additional programming. If replacement or accessory controls have been purchased or custom transmitter button settings are desired, the controls will need to be programmed.

## Wall Station Programming

To verify that the wall station is matched to the operator, press the wall station up/down button. The light fixture will flash one time to indicate a matched control, and wall station programming is not required. If instead, light fixture red LED blinks rapidly while holding the wall station up/down button, the wall station needs to be programmed.

### To program the wall station:

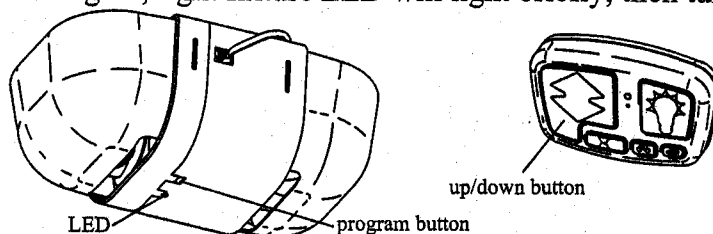
- 1) Press the light fixture program button; light fixture red LED will light.
- 2) Press and release wall station up/down button; light fixture LED will turn off.
- 3) Press and release wall station up/down button again; light fixture LED will light briefly, then turn off.

Wall station is now programmed.

**Rapid light fixture LED blinking with no pause indicates a programming failure.**

**Repeat steps 1-3.**

NOTE: Programming failure can occur if the wall station is too close to the light fixture during the programming sequence. Perform programming with a minimum 6 feet distance between wall station and light fixture.



## Transmitter Programming

To verify that the transmitter is matched to the operator, press the large transmitter button. The light fixture will flash one time to indicate a matched control. If instead, the light fixture LED blinks rapidly while holding down the large transmitter button, the transmitter needs to be programmed.

NOTE: Only the large transmitter button is pre-programmed. Any of the three transmitter buttons can be programmed to activate the door. In multi-door installations, each button or a combination of two buttons pushed at the same time can be programmed to activate a separate door.

### To program the Transmitter:

- 1) Press program button on light fixture OR transmitter program button on wall station; light fixture LED will light.
- 2) Press and release the desired transmitter button; light fixture LED will turn off.
- 3) Press and release same transmitter button again; light fixture LED will light briefly, then turn off.

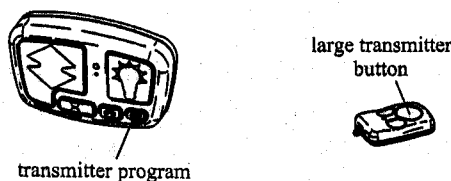
Transmitter is now programmed.

**Rapid light fixture LED blinking with no pause indicates a programming failure.**

**Repeat steps 1-3.**

NOTE: Programming failure can occur if the transmitter is too close to the light fixture during the programming sequence. Perform programming with a minimum 6 feet distance between transmitter and light fixture.

NOTE: The operator can be activated by up to six remote control devices (including wall station and keyless entry controls). If a seventh control is programmed, one of the programmed controls will be overwritten and will no longer activate the operator. To clear the programming of all remote control devices, press and hold the light fixture program button for approximately ten seconds. When the light fixture LED goes out, all controls are erased.



## TRANSMITTER OPERATION

Momentarily pressing button programmed in Step 10 activates door. Small transmitter buttons can also be programmed to activate door, or in multi-door installations, each door or a combination of two buttons pushed together can be programmed to activate a different door. See Transmitter Programming for instructions.

The transmitter LED will light while any transmitter button remains pressed. Rapid LED flashing while any transmitter button is pressed indicates a weak transmitter battery. See Maintenance Section for battery replacement.



**Test operator monthly. The garage door MUST reverse on contact with a 1-1/2 inch object (or a 2 x 4 board laid flat) on the floor. After adjusting the limit of travel, retest the door operator. Failure to adjust the operator properly may cause severe injury or death.**



**KEEP GARAGE DOOR PROPERLY BALANCED. See owner's manual. An improperly balanced door could cause severe injury or death. Have a qualified service person make repairs to cables, spring assemblies, and other hardware.**

## MANUAL DOOR OPERATION - Back-driving

NOTE: For security reasons, operator will automatically push door down if an attempt is made to manually raise door from a fully closed position, so always use emergency disconnect to manually raise door from closed position.

The operator's high efficiency drive system allows door to be moved manually without disconnecting operator from door. To move door manually, apply a steady upward or downward force of approximately forty pounds directly to stationary door to move door to desired position.

## MANUAL DOOR OPERATION - Emergency Disconnect



**The Emergency Disconnect should only be used when the door is closed. Do NOT use the Emergency Disconnect on an open door. Weak or broken springs may allow the door to fall rapidly, causing severe injury or death.**

The operator is equipped with an emergency disconnect that allows door to be moved manually and independent from the operator. With door closed, pull on red disconnect handle, sliding handle underneath lower fork on handle bracket. This motion causes power head to disconnect from torque tube. Releasing handle from lower fork on handle bracket, releasing cable tension, causes power head to engage torque tube. When engaged, door can be moved manually by back-driving or automatically with wall station or transmitter controls.

NOTE: For security reasons, operator will attempt to push door down anytime door is moved manually from a closed position. With emergency disconnect disengaged, operator motor will run but not push the door once door is raised above two inches. The operator motor will stop once door is raised above seven inches. After this sequence, once disconnect is re-engaged, door will have to operated for at least one partial open and close cycle to reactivate security features.

# Maintenance

## MONTHLY MAINTENANCE

- A. Manually operate door with emergency disconnect disengaged. If door is unbalanced or binding have a qualified service person repair or adjust door.
- B. Perform contact obstruction test (See section 12).  
Perform photo beam sensor test for model BIRW-2000 (See section 12).

## ANNUAL MAINTENANCE

Refer to garage door owner's manual for annual door maintenance.

## BATTERY REPLACEMENT

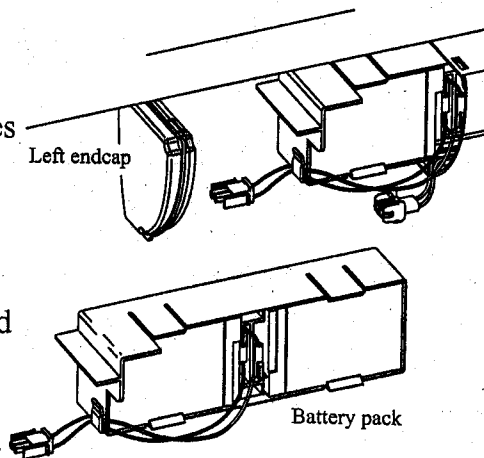
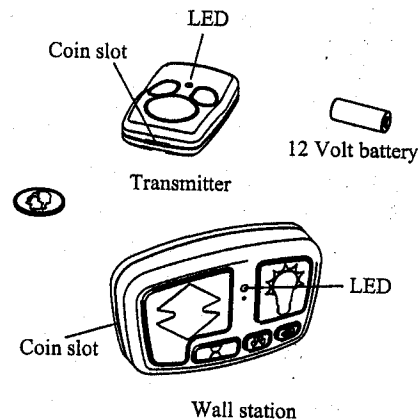
Inability to activate door from transmitter or wall station may be caused by a weak or dead battery. Press and hold activation button on either transmitter or wall station. Rapid blinking or no signal from the transmitter or wall station LED indicates a weak or dead battery.

Insert coin in slot in transmitter or wall station as illustrated and twist coin to reveal battery. Replace battery, being careful to match positive (+) symbol on circuit board with positive (+) symbol on battery.

## NOTE: USE ONLY MN21 OR EQUIV. 12 VOLT BATTERY.

If light fixture blinks once at beginning and end of a door cycle, batteries in power head are low. This will occur if operator loses power for an extended period of time or unit was operated severely. In this case let batteries charge overnight to see if problem goes away. If problem persists, replace batteries. To remove batteries, disengage emergency disconnect. Remove left hand endcap by pressing in on bottom snap and pulling out endcap. Pull battery wiring out of housing and disconnect. Pull battery pack from power head and replace with new battery pack. Reconnect and tuck battery wiring into power head and reinstall endcap. Engage emergency disconnect.

**WARNING! Batteries contain lead. Do not throw in trash. recycle batteries. Call 1-800-SAV-LEAD for a recycle location near you.**





Wayne Dalton Corporation  
P.O. Box 67 § Mt. Hope, Ohio 44660

# DoorMaster™

## Model BDOR-2000

## Model BIRW-2000

### LIFETIME LIMITED WARRANTY

The Manufacturer warrants that its garage door opener will be free from defects in materials and workmanship for a period of **FIFTEEN YEARS** from the date of installation, provided it is properly maintained and cared for under normal use and service. Electronic components are covered under this warranty a period of **FIVE YEARS**. The motor has an extended **LIFETIME** warranty against defects in materials and workmanship.

This Warranty extends to the original homeowner, providing the garage door opener is installed in his/her place of primary residence. It is not transferable. The warranty applies to residential property only and is not valid on commercial or rental property.

**NO EMPLOYEE, DISTRIBUTOR, OR REPRESENTATIVE IS AUTHORIZED TO CHANGE THE FOREGOING WARRANTIES IN ANY WAY OR GRANT ANY OTHER WARRANTY ON BEHALF OF MANUFACTURER.**

The Manufacturer shall not be responsible for any damage resulting to or caused by its products by reason of installation, improper storage, unauthorized service, alteration of products, neglect or abuse, any acts of nature beyond Manufacturer's control (such as, but not limited to, lightning, power surges, water damage, etc.), or attempt to use the products for other than the customary usage or for their intended purposes. The above warranty does not cover normal wear or any damage beyond Manufacturer's control or replacement labor.

**THIS WARRANTY COVERS A CONSUMER PRODUCT AS DEFINED BY THE HAGNUSON-MOSS WARRANTY ACT. NO WARRANTIES, EXPRESSED OR IMPLIED, (INCLUDING, BUT NOT LIMITED TO, THE WARRANTY OF MERCHANTABILITY OR FITNESS FOR A PARTICULAR PURPOSE), SHALL EXTEND BEYOND THE APPLICABLE TIME PERIOD STATED IN BOLD FACE TYPE ABOVE.**

Claims for defects in material and workmanship covered by this warranty shall be made in writing to the dealer from whom the product was purchased within the warranty period. Manufacturer may either send a service representative or have the product returned to the Manufacturer at Buyer's expense for inspection. If judged by Manufacturer to be defective in material or workmanship, the product will be replaced or repaired at the option of the Manufacturer, free from all charges except authorized transportation and replacement labor.

**THE REMEDIES OF BUYER SET FORTH HEREIN ARE EXCLUSIVE AND ARE IN LIEU OF ALL OTHER REMEDIES, THE LIABILITY OF MANUFACTURER, WHETHER IN CONTACT, TORT, UNDER ANY WARRANTY OR OTHERWISE, SHALL NOT EXTEND BEYOND ITS OBLIGATION TO REPAIR OR REPLACE, AT ITS OPTION, ANY PRODUCT OR PART FOUND BY MANUFACTURER TO BE DEFECTIVE IN MATERIAL OR WORK SHALL NOT BE RESPONSIBLE FOR ANY DIRECT, INDIRECT, SPECIAL OR CONSEQUENTIAL DAMAGES OF ANY NATURE.**

This Warranty gives you specific legal rights which may vary from state to state. However, some states do not allow limitation on how long an implied warranty lasts or the exclusion or limitation of incidental or consequential damages so the above limitations or exclusions may not apply to you.