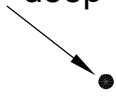


Pre-drill a 5/64 pilot hole 3/4" deep



NOTE: This equipment has been tested and found to comply with the limits for a Class B digital device, pursuant to Part 15 of the FCC Rules. These limits are designed to provide reasonable protection against harmful interference when the equipment is operated in a residential environment. This equipment generates, uses, and can radiate radio frequency energy and, if not installed and used in accordance with the instruction manual, may cause harmful interference to radio communications. However, there is no guarantee that interference will not occur in a particular installation. If this equipment does cause harmful interference to radio or television reception, which can be determined by turning the equipment off and on, the user is encouraged to try to correct the interference by one or more of the following measures:

- Reorient or relocate the receiving antenna.
- Increase the separation between the equipment and receiver.
- Connect the equipment into an outlet on a circuit different from that to which the receiver is connected.
- Consult the dealer or an experienced radio/TV technician for help.

Pre-drill a 5/64 pilot hole 3/4" deep

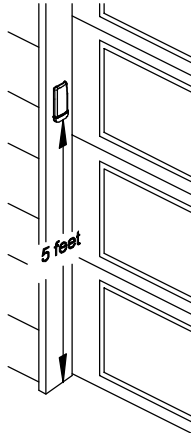


Drilling Template For Keyless Entry

Mounting

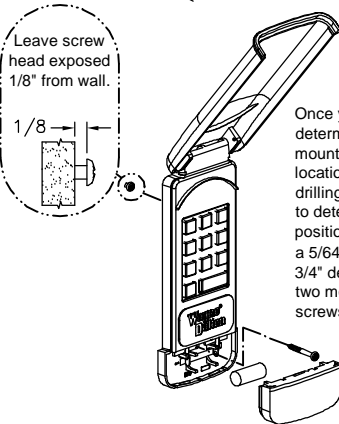
Locate Keyless Entry Unit: within sight of door, at a minimum height of 5 feet so it cannot be reached by small children, and away from all moving parts of the door.

Choose a convenient location that does not interfere with the normal opening and closing operation of the door, such as the door jamb.



CAUTION: The keypad should be mounted a minimum of 5 feet from the floor to keep it out of the reach of small children.

Two screws are included for proper mounting into wood or other similar material. If you're mounting into some other material, consult a building contractor to insure proper hardware is used for a secure mounting.



Once you have determined the mounting location, use the drilling template to determine hole positions and drill a 5/64" pilot hole 3/4" deep for the two mounting screws.

Insert screw into the upper pilot hole leaving the head of the screw exposed about 1/8" from the wall. Slide and lock the back keyhole slot over the exposed screw and position the unit vertically. Remove battery door and battery. Insert the lower screw and tighten. Replace battery and battery door.

How Your Keyless Entry Operates Your Opener

The following explains how your Keyless Entry can be used to OPEN, CLOSE, START, and STOP your door.

1. Activate your keypad by pressing the ON/RESET button; keypad will illuminate.
2. Enter your 4-digit PIN (personal identification number); keypad will rapidly blink for 2 seconds and then change to a slow blink; door will begin to move.

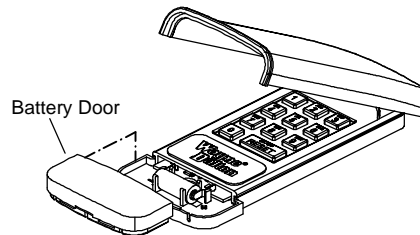
NOTE: If you inadvertently enter an incorrect code, the keypad will still blink but door will not open. Reset with the ON/RESET button and reenter your PIN number.

3. Unit remains active for next 15 sec. Pressing any key, except the ON/RESET, will stop the door if opening, or reverse the door if closing.
4. Pressing the ON/RESET button while keypad is slow blinking will turn off the unit. Pressing ON/RESET again will reset the unit so that the PIN can be entered again.

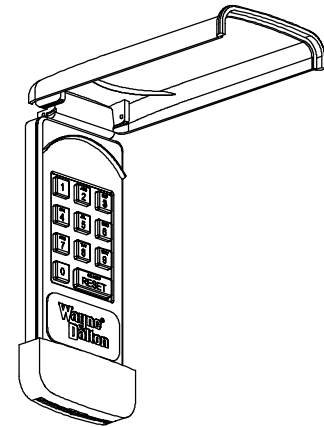
Battery Replacement

Under normal operating conditions, the battery should be changed once every 12 months. **Dispose of used batteries properly.** To replace battery perform the following steps:

- A. Raise Keyless Entry Cover to expose battery door.
- B. Snap open door with a coin and remove old battery.
- C. Replace battery (12 volt MN 21) with positive terminal to right and snap close battery door.



Model KEP2-0000 Wireless Keyless Entry System



Your new Model KEP2-0000 Wireless Keyless Entry contains a state-of-the-art wireless digital transmitter capable of operating an unlimited number of compatible garage door openers.

For added security, your Wireless Keyless Entry utilizes a "rolling code" technology that, each time the transmitter communicates with the receiver, sets a new code, selecting from millions of combinations, reducing the possibility of electronic equipment causing unwanted access.

For proper operation it is important that you follow the programming directions and sequence as written.

Wayne Dalton Corp.
One Door Drive ■ Mt. Hope, OH 44660
800-305-4349 ■ Fax 800-884-5065



PLEASE READ ALL INSTRUCTIONS THOROUGHLY TO FAMILIARIZE YOURSELF WITH THE PROGRAMMING PROCEDURE BEFORE BEGINNING. SAVE THESE INSTRUCTIONS FOR REFERENCE WHENEVER YOU WISH TO CHANGE YOUR PERSONAL IDENTIFICATION NUMBER (PIN)

Before your Wireless Keypad will be able to operate the opener, there are several programming steps that have to be completed.

FCC WARNING

To comply with FCC rules, adjustment or modification of transmitter is prohibited. THERE ARE NO USER SERVICEABLE PARTS EXCEPT FOR BATTERY REPLACEMENT.

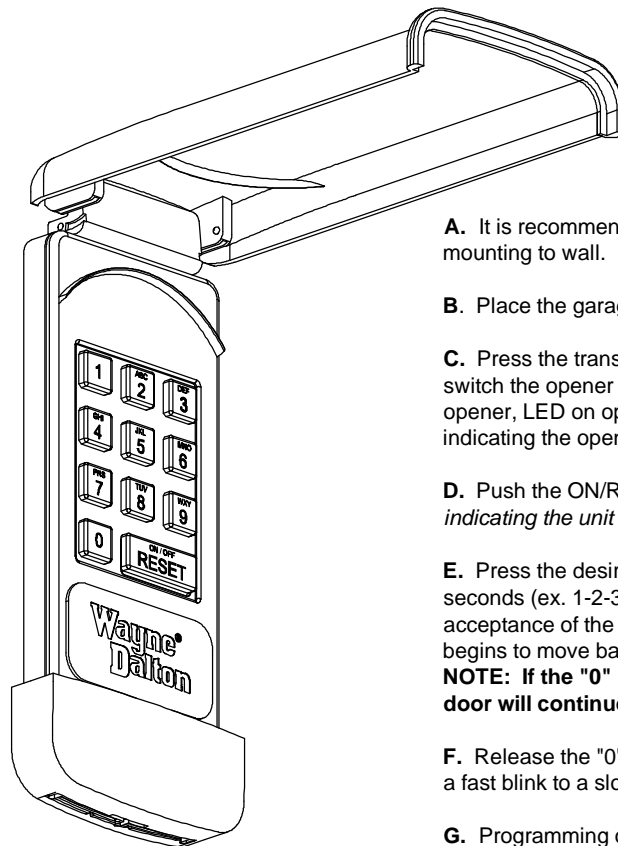


WARNING

Always keep moving door in sight and away from people and objects until it is completely closed. NO ONE SHOULD CROSS THE PATH OF THE MOVING DOOR.

Never let children operate or play with door controls. Keep all controls away from children.

Programming or Changing Personal Identification Number



A. It is recommended that the keyless entry be programmed before mounting to wall.

B. Place the garage door in the down position.

C. Press the transmitter program button on the garage door opener to switch the opener to the transmitter learn mode. depending on the model of opener, LED on opener will light or audible signal will beep one time indicating the opener is in the transmitter learn mode.

D. Push the ON/RESET button of the keyless entry. *Keypad will light indicating the unit has been activated and is waiting for commands.*

E. Press the desired four digit PIN number, then hold the "0" key for several seconds (ex. 1-2-3-4-0). Garage door will move up 6" to acknowledge acceptance of the keyless entry. Continue holding the "0" key until the door begins to move back down. Door will return to the down position and stop.

NOTE: If the "0" key is released when the door starts moving, the door will continue moving to the full open position.

F. Release the "0" key and keypad lights on keyless entry will change from a fast blink to a slow blink.

G. Programming of wireless keyless entry is now complete.

NOTE: IF, AT ANY TIME, AN ERROR WAS MADE IN ENTERING THE CODES, SIMPLY PRESS THE ON/RESET BUTTON AND REPEAT THE ABOVE PROCEDURES.

Note: One KEP2 Keyless Entry can be programmed to open multiple garage door openers. To program for additional openers, repeat steps A thru G above except input a different four digit PIN number for each additional opener.

Note: Unit can be programmed with garage door in open position. Instead of door opening 6" in step E, door will close 6" and then return to the open position unless button is released while door is moving down in which case the door will close and stop.

The wireless keyless entry has an energy saving feature that will reset the unit to "standby" after 15 seconds of no activity. The red keypad illumination will go out and the unit will shut down. If this happens while you are programming, simply start over again.

Warning Statement

THE MANUFACTURER IS NOT RESPONSIBLE FOR ANY RADIO OR TV INTERFERENCE CAUSED BY UNAUTHORIZED MODIFICATIONS TO THIS EQUIPMENT. SUCH MODIFICATIONS COULD VOID THE USER'S AUTHORITY TO OPERATE THE EQUIPMENT.