

SUMMIT®



GAS GRILL

Built-In Natural Gas Grill Owner's Guide

ESNA Guía del propietario de la barbacoa empotrada de gas natural - Pg. 33

FC Manuel de l'utilisateur du grill au gaz naturel intégré - Pg. 65

460 - NG

#56576



YOU MUST READ THIS OWNER'S GUIDE BEFORE OPERATING YOUR GAS GRILL.

⚠ DANGER

If you smell gas:

1. Shut off gas to the appliance.
2. Extinguish any open flames.
3. Open lid.
4. If odor continues, keep away from the appliance and immediately call your gas supplier or your fire department.

Leaking gas may cause a fire or explosion which can cause serious bodily injury, death, or damage to property.

⚠ WARNING:

1. Do not store or use gasoline or other flammable liquids or vapors in the vicinity of this or any other appliance.
2. An LP cylinder not connected for use shall not be stored in the vicinity of this or any other appliance.

⚠ WARNING: Follow all leak-check procedures carefully in this manual prior to barbecue operation. Do this even if the barbecue was dealer-assembled.

NOTICE TO INSTALLER: These instructions must be left with the owner and the owner should keep them for future use.

THIS GAS APPLIANCE IS DESIGNED FOR OUTDOOR USE ONLY.

⚠ WARNING: Do not ignite this appliance without first reading the **BURNER IGNITION** sections of this manual.



56576 09/17/10 NG
US - ENGLISH

WARNINGS

⚠ DANGER

Failure to follow the Dangers, Warnings and Cautions contained in this Owner's Manual may result in serious bodily injury or death, or in a fire or an explosion causing damage to property.

⚠ WARNINGS

- ⚠ Do not store a spare or disconnected liquid propane cylinder under or near this barbecue.
- ⚠ Improper assembly may be dangerous. Please follow the assembly instructions carefully.
- ⚠ After a period of storage, and/or nonuse, the Weber® gas barbecue should be checked for gas leaks and burner obstructions before use. See instructions in this manual for correct procedures.
- ⚠ Do not operate the Weber® gas barbecue if there is a gas leak present.
- ⚠ Do not use a flame to check for gas leaks.
- ⚠ Combustible materials should never be within 24 inches (61 cm) of the back or sides of your Weber® gas barbecue.
- ⚠ Do not put a barbecue cover or anything flammable on, or in the storage area under the barbecue.
- ⚠ Your Weber® gas barbecue should never be used by children. Accessible parts of the barbecue may be very hot. Keep young children away while it is in use.
- ⚠ You should exercise reasonable care when operating your Weber® gas barbecue. It will be hot during cooking or cleaning and should never be left unattended, or moved while in operation.
- ⚠ Should the burners go out while in operation, turn all gas valves off. Open the lid and wait five minutes before attempting to relight, using the igniting instructions.
- ⚠ Do not use charcoal or lava rock in your Weber® gas barbecue.
- ⚠ Never lean over open grill or place hands or fingers on the front edge of the cookbox.
- ⚠ Should a grease fire occur, turn off all burners and leave lid closed until fire is out.
- ⚠ Do not enlarge valve orifices or burner ports when cleaning the valves or burners.
- ⚠ The Weber® gas barbecue should be thoroughly cleaned on a regular basis.
- ⚠ Liquid propane gas is not natural gas. The conversion or attempted use of natural gas in a liquid propane unit or liquid propane gas in a natural gas unit is dangerous and will void your warranty.

- ⚠ Do not attempt to disconnect any gas fitting while your barbecue is in operation.
- ⚠ Use heat-resistant barbecue mitts or gloves when operating barbecue.
- ⚠ Keep any electrical supply cord and the fuel supply hose away from any heated surfaces.
- ⚠ Combustion byproducts produced when using this product contain chemicals known to the state of California to cause cancer, birth defects, or other reproductive harm.
- ⚠ Do not use this barbecue unless all parts are in place. The unit must be properly assembled according to the assembly instructions.
- ⚠ Proposition 65 Warning: Handling the brass material on this product exposes you to lead, a chemical known to the state of California to cause cancer, birth defects or other reproductive harm.
(Wash hands after handling this product.) ♦

LIQUID PROPANE GAS UNITS ONLY

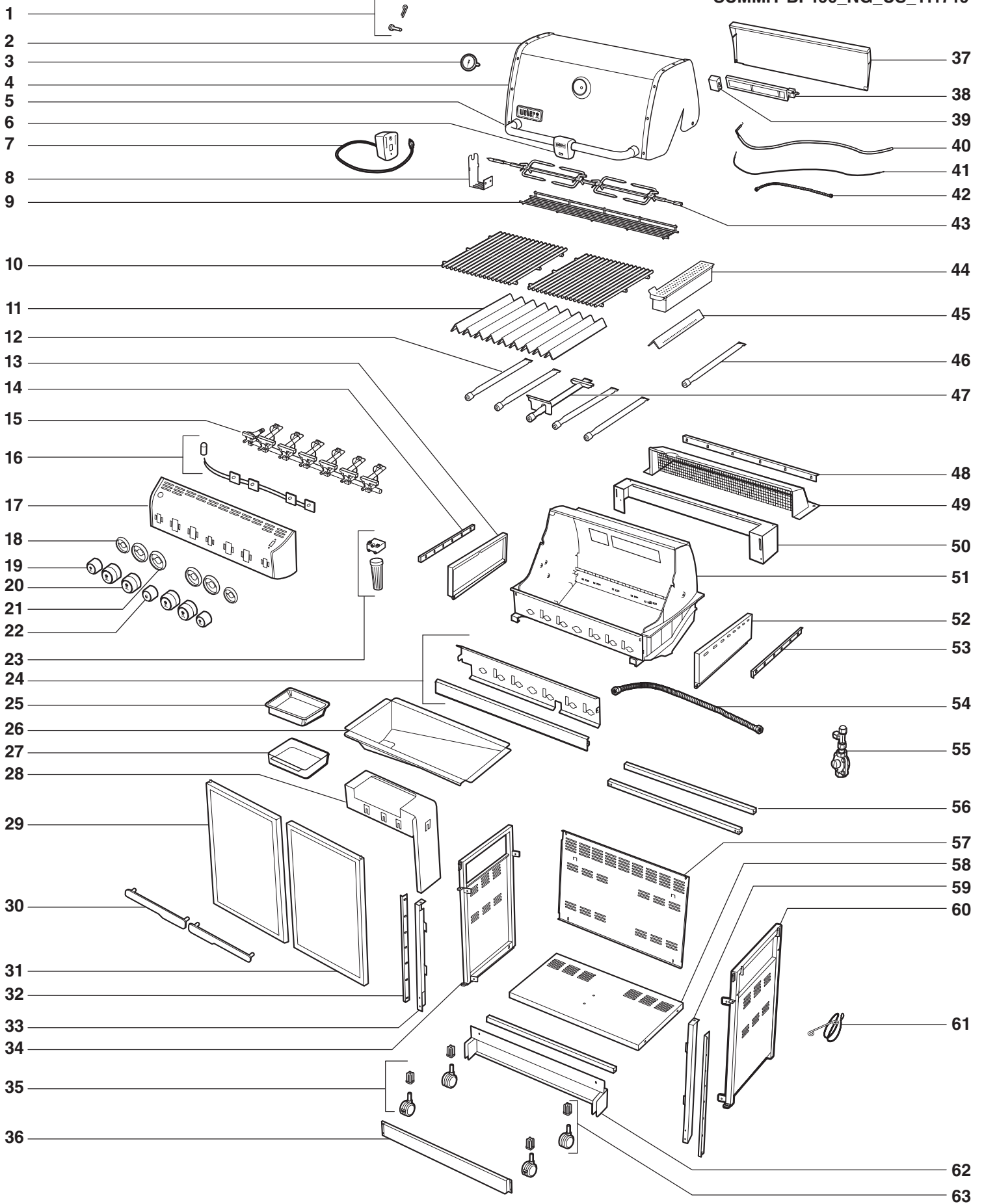
- ⚠ Use the pressure regulator and hose assembly that is supplied with your Weber® gas barbecue.
- ⚠ Do not attempt to disconnect the gas regulator and hose assembly or any gas fitting while your barbecue is in operation.
- ⚠ A dented or rusty liquid propane cylinder may be hazardous and should be checked by your liquid propane supplier. Do not use a liquid propane cylinder with a damaged valve.
- ⚠ Although your liquid propane cylinder may appear to be empty, gas may still be present, and the cylinder should be transported and stored accordingly.
- ⚠ If you see, smell or hear the hiss of escaping gas from the liquid propane cylinder
 1. Move away from liquid propane cylinder.
 2. Do not attempt to correct the problem yourself.
 3. Call your fire department. ♦

TABLE OF CONTENTS

WARNINGS	2	SEAR STATION® IGNITION & USAGE	18
TABLE OF CONTENTS	3	SEAR STATION® BURNER IGNITION	18
EXPLODED VIEW	4	TO EXTINGUISH	18
EXPLODED VIEW LIST	5	SEAR STATION® BURNER MANUAL IGNITION	19
WARRANTY	6	TO EXTINGUISH	19
GENERAL INSTRUCTIONS	7	USING THE SEAR STATION®	19
CANADIAN INSTALLATION	7	SMOKER BURNER IGNITION & USAGE	20
STORAGE AND/OR NONUSE	7	SMOKER BURNER IGNITION	20
OPERATING	7	TO EXTINGUISH	20
GAS SUPPLY TESTING	7	SMOKER BURNER MANUAL IGNITION	21
NOTE: IF YOU HAVE PURCHASED A SIDEBURNER	7	TO EXTINGUISH	21
GAS INSTRUCTIONS	8	USING THE SMOKER	22
INSTALL GAS SUPPLY	8	CLEANING THE SMOKER	22
TYPE OF GAS	9	ROTISSERIE BURNER IGNITION & USAGE	23
WHAT IS NATURAL GAS?	9	ROTISSERIE BURNER IGNITION	23
LEAK CHECK PREPARATION	9	TO EXTINGUISH	23
CHECK FOR GAS LEAKS	10	ROTISSERIE BURNER MANUAL IGNITION	24
LIGHT FEATURES	12	TO EXTINGUISH	24
WEBER® GRILL OUT™ HANDLE LIGHT	12	IMPORTANT SAFEGUARDS	25
LIGHTED CONTROL KNOBS	12	OPERATING THE ROTISSERIE	25
BEFORE USING YOUR GRILL	12	ROTISSERIE COOKING	26
SLIDE OUT GREASE TRAY AND DISPOSABLE DRIP PAN	12	ROTISSERIE FORK STORAGE	26
SNAP IGNITION OPERATION	13	TROUBLESHOOTING	27
MAIN BURNER IGNITION & USAGE	14	SEAR STATION® TROUBLESHOOTING	28
MAIN BURNER IGNITION	14	ROTISSERIE TROUBLESHOOTING	28
TO EXTINGUISH	14	GRILL OUT™ HANDLE LIGHT TROUBLESHOOTING	28
MAIN BURNER MANUAL IGNITION	15	MAINTENANCE	29
TO EXTINGUISH	15	CLEANING	29
GRILLING TIPS & HELPFUL HINTS	16	WEBER® SPIDER/INSECT SCREENS	29
PREHEATING	16	BURNER TUBE CLEANING	29
COVERED COOKING	16	REPLACING MAIN BURNERS	30
DRIPPINGS AND GREASE	16	ANNUAL MAINTENANCE	32
FLAVORIZER® SYSTEM	16		
SEAR STATION®	16		
COOKING METHODS	17		
DIRECT COOKING	17		
INDIRECT COOKING	17		

EXPLODED VIEW

SUMMIT BI 460_NG_US_111710



EXPLODED VIEW LIST

- | | | |
|----------------------------------|---------------------------------|--------------------------------|
| 1. Shroud Hardware | 22. Sear Station® Knob | 43. Rotisserie Spit Assembly |
| 2. Shroud | 23. Battery Housing | 44. Smoker Box |
| 3. Thermometer | 24. Water Baffle / Heat Shield | 45. Smoker Bar |
| 4. Thermometer Bezel | 25. Disposable Drip Pan | 46. Smoker Burner |
| 5. Handle | 26. Slide Out Grease Tray | 47. Sear Station® Burner |
| 6. Grill Out™ Handle Light | 27. Catch Pan | 48. Rear Filler Strip |
| 7. Rotisserie Motor | 28. Catch Pan Holder | 49. Rear Vent |
| 8. Rotisserie Bracket | 29. Left Door | 50. Rear Vent Bracket |
| 9. Warming Rack | 30. Door Handles | 51. Cookbox |
| 10. Cooking Grates | 31. Right Door | 52. Right Side Vent |
| 11. Flavorizer® Bars | 32. Front Filler Strip | 53. Right Filler Strip |
| 12. Burner Tubes | 33. Left Trim Piece | 54. Manifold Hose |
| 13. Left Side Vent | 34. Left Frame Panel | 55. Bulkhead |
| 14. Left Filler Strip | 35. Locking Caster | 56. Frame Support |
| 15. Manifold | 36. Front Wheel Alignment Panel | 57. Back Panel |
| 16. Control Panel Wiring Harness | 37. IR Burner Cover | 58. Bottom Panel |
| 17. Control Panel | 38. Infrared Burner | 59. Right Trim Piece |
| 18. Small Knob Bezel | 39. IR Burner Box | 60. Right Frame Panel |
| 19. Small Knob | 40. IR Burner Igniter Wire | 61. Matchstick Holder |
| 20. Large Knob | 41. Thermocouple | 62. Rear Wheel Alignment Panel |
| 21. Large Knob Bezel | 42. IR Burner Hose | 63. Caster |

WARRANTY

Weber-Stephen Products Co. (Weber) hereby warrants to the ORIGINAL PURCHASER of this Weber® gas grill that it will be free of defects in material and workmanship from the date of purchase as follows:

Aluminum castings:	25-years (2 years on paint; excludes fading)
Stainless steel shroud:	25-years
Porcelain-enameled shroud:	25-years
Stainless steel burners tubes:	10-years
Stainless steel cooking grates:	5-years no rust through or burn through
Stainless steel Flavorizer® bars:	5-years no rust through or burn through
Porcelain-enameled cast-iron cooking grates:	5-year no rust through or burn through
Porcelain-enameled cooking grates:	3-years no rust through or burn through
Porcelain-enameled Flavorizer® bars:	2-years no rust through or burn through
Infrared rotisserie burner:	2-years
All remaining parts:	2-years

when assembled and operated in accordance with the printed instructions accompanying it. Weber may require reasonable proof of your date of purchase. THEREFORE, YOU SHOULD RETAIN YOUR SALES SLIP OR INVOICE.

This Limited Warranty shall be limited to the repair or replacement of parts that prove defective under normal use and service and which on examination shall indicate, to Weber's satisfaction, they are defective. Before returning any parts, contact the Customer Service Representative in your area using the contact information on our website. If Weber confirms the defect and approves the claim, Weber will elect to replace such parts without charge. If you are required to return defective parts, transportation charges must be prepaid. Weber will return parts to the purchaser, freight or postage prepaid.

This Limited Warranty does not cover any failures or operating difficulties due to accident, abuse, misuse, alteration, misapplication, vandalism, improper installation or improper maintenance or service, or failure to perform normal and routine maintenance, including but not limited to damage caused by insects within the burner tubes, as set out in this owner's manual.

Deterioration or damage due to severe weather conditions such as hail, hurricanes, earthquakes or tornadoes, discoloration due to exposure to chemicals either directly or in the atmosphere, is not covered by this Limited Warranty.

There are no other express warrants except as set forth herein and any applicable implied warranties of merchantability and fitness are limited in duration to the period of coverage of this express written Limited Warranty. Some regions do not allow limitation on how long an implied warranty lasts, so this limitation may not apply to you.

Weber is not liable for any special, indirect or consequential damages. Some regions do not allow the exclusion or limitation of incidental or consequential damages, so this limitation or exclusion may not apply to you.

Weber does not authorize any person or company to assume for it any other obligation or liability in connection with the sale, installation, use, removal, return, or replacement of its equipment; and no such representations are binding on Weber.

This Warranty applies only to products sold at retail.

WEBER-STEPHEN PRODUCTS CO.

**Customer Service Center
1890 Roselle Road, Suite 308
Schaumburg, IL 60195
USA**

**For replacement parts call:
1-800-446-1071**

Visit www.weber.com®, select your country of origin, and register your grill today. ♦

GENERAL INSTRUCTIONS

With the Weber® gas barbecue you can grill, barbecue, roast and bake with results that are difficult to duplicate with indoor kitchen appliances. The closed lid and Flavorizer® bars produce that “outdoor” flavor in the food.

The natural gas supply is easy to use and gives you more cooking control than charcoal fuel.

- These instructions will give you the minimum requirements for assembling your Weber® gas barbecue. Please read the instructions carefully before using your Weber® gas barbecue. Improper assembly can be dangerous.
- Not for use by children.
- If there are local codes that apply to portable gas grills, you will have to conform to them. Installation must conform with local codes or, in the absence of local codes, with either the National Fuel Gas Code, ANSI Z223.1/NFPA 54, Natural Gas and Propane Installation Code, CSA B149.1, or Propane Storage and Handling Code, B149.2, or the Standard for Recreational Vehicles, ANSI A 119.2/NFPA 1192, and CSA Z240 RV Series, Recreational Vehicle Code, as applicable.
- This Weber® gas barbecue is designed for natural (piped in city) gas only. Do not use liquid propane (LP) bottled gas. The valves, orifices and hose are for natural gas only.
- Do not use with charcoal fuel.
- Check that the area under the control panel and the grease tray are free from debris that might obstruct the flow of combustion or ventilation air. ♦

CANADIAN INSTALLATION

These instructions, while generally acceptable, do not necessarily comply with the Canadian Installation codes, particularly with piping above and below ground. In Canada the installation of this appliance must comply with local codes and/or Standards CAN/CGA-B149.1 (Installation Code for Natural Gas Burning Appliances and Equipment). ♦

STORAGE AND/OR NONUSE

- The gas must be turned off at the natural gas supply when the Weber® gas barbecue is not in use.
- When the Weber® gas barbecue is stored indoors, the gas supply must be disconnected.
- The Weber® gas barbecue should be checked for gas leaks and any obstructions in the burner tubes before using. (Refer to: “MAINTENANCE/ANNUAL MAINTENANCE”).
- Check that the areas under the control panel and the slide out grease tray are free from debris that might obstruct the flow of combustion or ventilation air.
- The Spider/Insect screens should also be checked for any obstructions. (Refer to: “MAINTENANCE/ANNUAL MAINTENANCE”). ♦

OPERATING

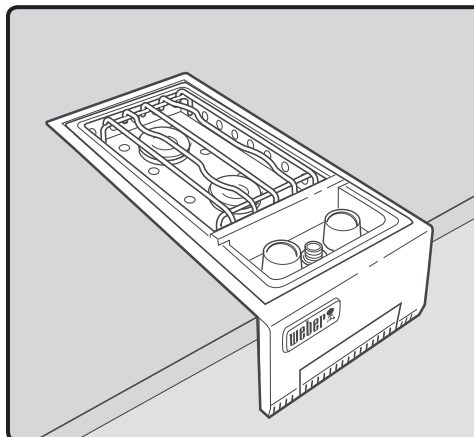
- ⚠ **WARNING: Only use this barbecue outdoors in a well-ventilated area. Do not use in a garage, building, breezeway or any other enclosed area.**
- ⚠ **WARNING: Your Weber® gas barbecue shall not be used under overhead combustible construction.**
- ⚠ **WARNING: Your Weber® gas barbecue is not intended to be installed in or on recreational vehicles and/or boats.**
- ⚠ **WARNING: Do not use the barbecue within 24 inches of combustible materials. This includes the top, bottom, back or sides of the grill.**
- ⚠ **WARNING: The entire cookbox gets hot when in use. Do not leave unattended.**
- ⚠ **WARNING: Keep any electrical supply cord and the fuel supply hose away from any heated surface.**
- ⚠ **WARNING: Keep the cooking area clear of flammable vapors and liquids, such as gasoline, alcohol, etc., and combustible materials. ♦**

GAS SUPPLY TESTING

- Disconnect your Weber® gas barbecue when the gas supply is being tested at high pressures. This appliance and its individual shutoff valve must be disconnected from the gas supply piping system during any pressure testing of that system at test pressures in excess of 1/2 psig (3.5 kPa).
- Turn off your Weber® gas barbecue when the gas supply is being tested at low pressures. This appliance must be isolated from the gas supply piping system by closing its individual manual shutoff valve during any pressure testing of the gas supply piping system at the pressure equal to or less than 1/2 psig (3.5 kPa). ♦

NOTE: IF YOU HAVE PURCHASED A SIDEBURNER

If you have purchased a Side Burner accessory with your Summit® gas grill, Weber® recommends that you read the SUMMIT® BUILT-IN SIDEBURNER INSTALLATION/OWNER'S GUIDE before designing your “island” structure. ♦



GAS INSTRUCTIONS

INSTALL GAS SUPPLY

General Specifications for Piping

Note: Contact your local municipality for building codes regulating outdoor gas barbecue installations. In absence of Local Codes, you must conform to the latest edition of the National Fuel Gas Code: ANSI Z 223.1/NFPA 54, or CAN/CGA-B149.1, Natural Gas and Propane Installation Code. WE RECOMMEND THAT THIS INSTALLATION BE DONE BY A PROFESSIONAL.

Some of the following are general requirements taken from the latest edition of the National Fuel Gas Code: ANSI Z 223.1/NFPA 54, or CAN/CGA-B149.1, Natural Gas and Propane Installation Code for complete specifications.

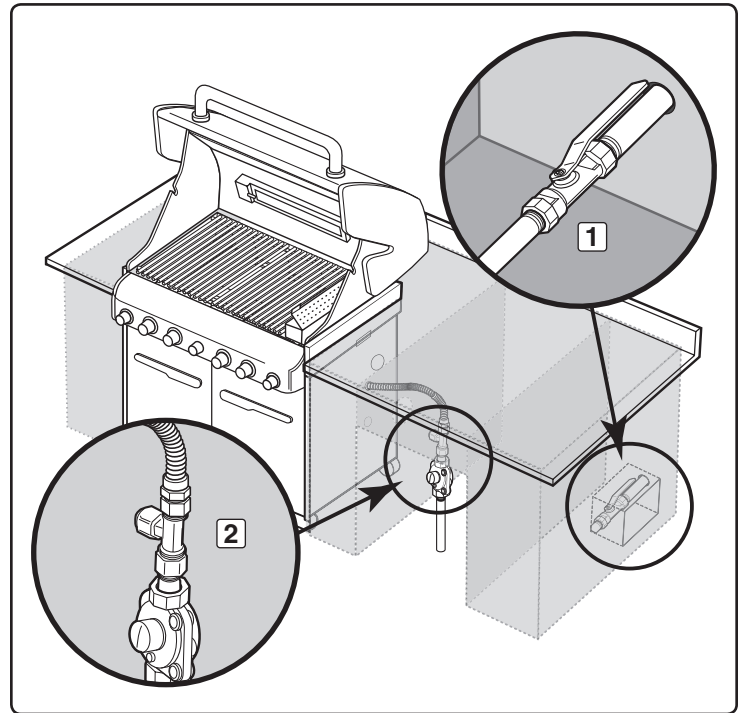
- This barbecue is designed to operate at 4.5" of water column pressure (.163 psi).
- A manual shut-off valve must be installed outdoors, and be accessible, not in the "built-in" structure (1).
- An additional manual shut-off valve indoors should be installed in the branch fuel line in an accessible location near the supply line.
- The dust covers (supplied plastic plugs) help keep the open ends of the quick disconnect fitting clean while disconnected.
- Pipe compound should be used which is resistant to the action of natural gas when connections are made.
- The outdoor connector must be firmly attached to rigid, permanent construction (2).

Gas Line Piping

- If the length of the line required does not exceed 50 feet, use a 5/8" O.D. tube. One size larger should be used for lengths greater than 50 feet.
- Gas piping may be copper tubing, type K or L; polyethylene plastic tube, with a minimum wall thickness of .062"; or standard weight (schedule 40) steel or wrought iron pipe.
- Copper tubing must be tin-lined if the gas contains more than 0.3 grams of hydrogen sulfide per 100 cubic feet of gas.
- Plastic tubing is suitable only for outdoor, underground use.
- Gas piping in contact with earth, or any other material which may corrode the piping, must be protected against corrosion in an approved manner.
- Underground piping must have a minimum of 18" cover.

Test Connections

All connections and joints must be thoroughly tested for leaks in accordance with local codes and all listed procedures in the latest edition of the National Fuel Gas Code: ANSI Z 223.1/NFPA 54, or CAN/CGA-B149.1



⚠ DANGER

Do not use an open flame to check for gas leaks. Be sure there are no sparks or open flames in the area while you check for gas leaks. This will result in a fire or explosion which can cause serious bodily injury or death and damage to property. ♦

GAS INSTRUCTIONS

TYPE OF GAS

Your natural gas grill is factory built to operate using natural gas only. Never attempt to operate your grill on gases other than the type specified on the grill rating plates.

Your grill operates at 4.5" of water column pressure. If replacement of the hose becomes necessary, factory specified parts are required. See your local dealer.

For safety and design reasons, the conversion of a Weber® grill from operation using Natural gas to operation using LP gas requires the change out of the entire gas supply system of the grill. If this becomes necessary, see your dealer for additional information. ♦

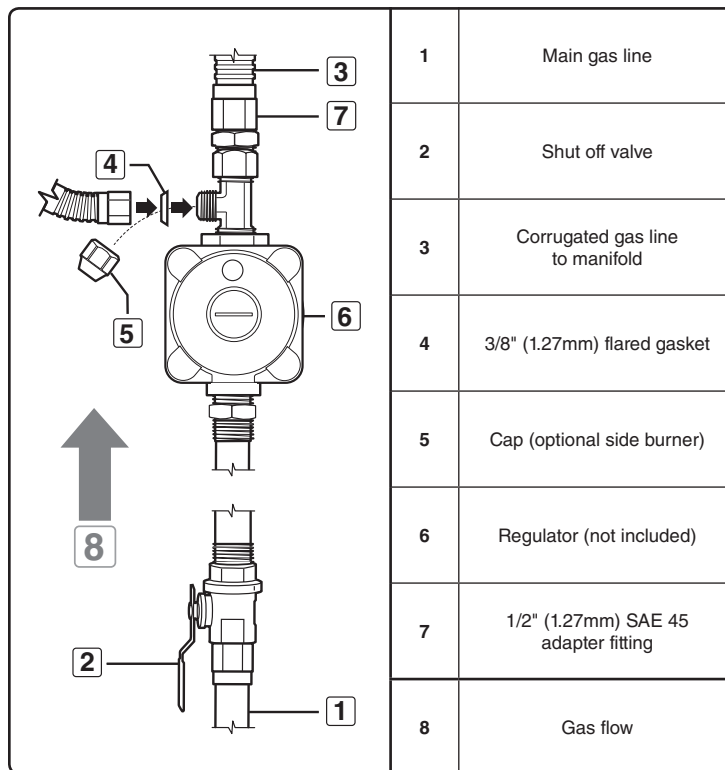
WHAT IS NATURAL GAS?

Natural gas, often called methane, is a safe modern fuel. Natural gas is supplied by your local utility and should be readily available if your house is already heated with gas. ♦

LEAK CHECK PREPARATION

Check that all burner valves are off

Valves are shipped in the "OFF" position, but you should check to be sure that they are turned off. Check by pushing in and turning clockwise. If they do not turn, they are off. Proceed to the next step. If they do turn continue turning them clockwise until they stop, then they are off. Proceed to the next step. ♦



GAS INSTRUCTIONS

⚠ WARNING: The gas connections of your Summit® gas grill have been factory tested. We do however recommend that you leak check all gas connections before operating your Summit® gas grill.

Remove Control Panel

Parts required: Phillips screwdriver and a towel.

- A) Remove the burner control knobs (1).
- B) Open both doors and place a towel on top of the doors. This will protect the control panel and tops of the doors from getting scratched on the next step.
- C) Remove the screws from the underside of the control panel with a Phillips screwdriver (2).
- D) Tilt the control panel forward and lift up and away from the grill (3) (For Summit® models with LED features: Be careful not to break or disconnect the wires for the control panel LED's).
- E) Place the control panel on the towel covering the door assemblies (4). ♦

CHECK FOR GAS LEAKS

⚠ DANGER

Do not use an open flame to check for gas leaks. Be sure there are no sparks or open flames in the area while you check for leaks. Sparks or open flames will result in a fire or explosion, which can cause serious bodily injury or death and damage to property.

Note: All factory-made connections have been thoroughly checked for gas leaks. The burners have been flame-tested. As a safety precaution however, you should recheck all fittings for leaks before using your Weber® gas barbecue. Shipping and handling may loosen or damage a gas fitting.

- ⚠ WARNING: The gas connections of your gas grill have been factory tested. We do however recommend that you leak check all gas connections before operating your gas grill.**
- ⚠ WARNING: Perform these leak checks even if your barbecue was dealer or store assembled.**

If your grill has a side burner make sure the side burner is turned off.

Turn on gas supply at source.

⚠ WARNING: Do not ignite burners when leak checking.

You will need: A soap and water solution and a rag or brush to apply it.

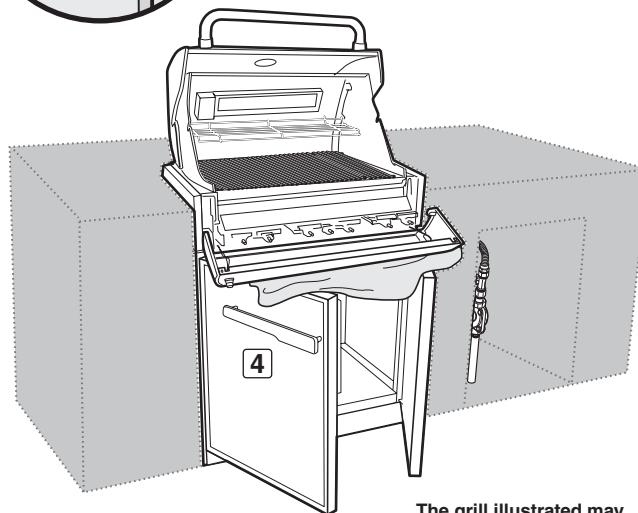
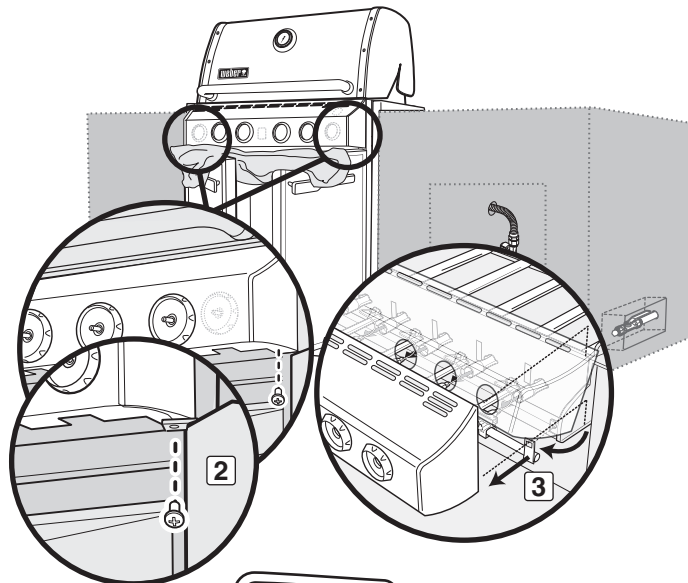
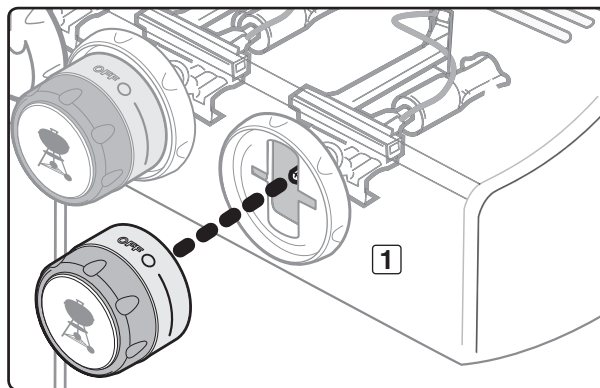
- A) Mix soap and water.
- B) Turn on gas supply (1).
- C) Check for leaks by wetting the fitting with the soap and water solution and watching for bubbles. If bubbles form, or if a bubble grows, there is a leak.

If there is a leak, turn off the gas and tighten the fitting. Turn the gas back on and recheck with the soap and water solution. If leak does not stop do not use the barbecue. Contact the customer service representative in your area using the contact information on our web site. Log onto www.weber.com®.

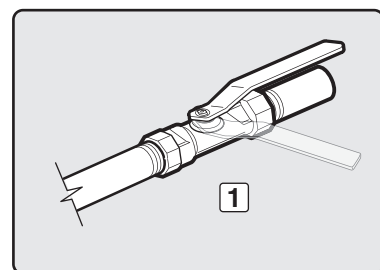
- D) When leak checking is complete, turn gas supply off at the source and rinse connections with water.

Note: Since some leak test solutions, including soap and water, may be slightly corrosive, all connections should be rinsed with water after checking for leaks.

⚠ WARNING: You should check for gas leaks every time you disconnect and reconnect a gas fitting.



The grill illustrated may have slight differences than the model purchased.



GAS INSTRUCTIONS

Check

- A) Main gas line to manifold connection (1).
- B) Rotisserie (I.R. Burner) gas line connection (2).
- C) Bulkhead and gas supply hose connection (3).
- D) Bulkhead to regulator connection (4).
- E) Regulator to gas supply connection (5).

⚠ WARNING: If there is a leak at connection (1, 2, 3, 4, or 5), retighten the fitting with a wrench and recheck for leaks with soap and water solution.

If a leak persists after re-tightening the fitting, turn off the gas. DO NOT OPERATE THE GRILL. Contact the Customer Service Representative in your area using the contact information on our web site. Log onto www.weber.com®.

- F) Gas supply to shutoff connection. (6).
- G) Valves to manifold connections (7).

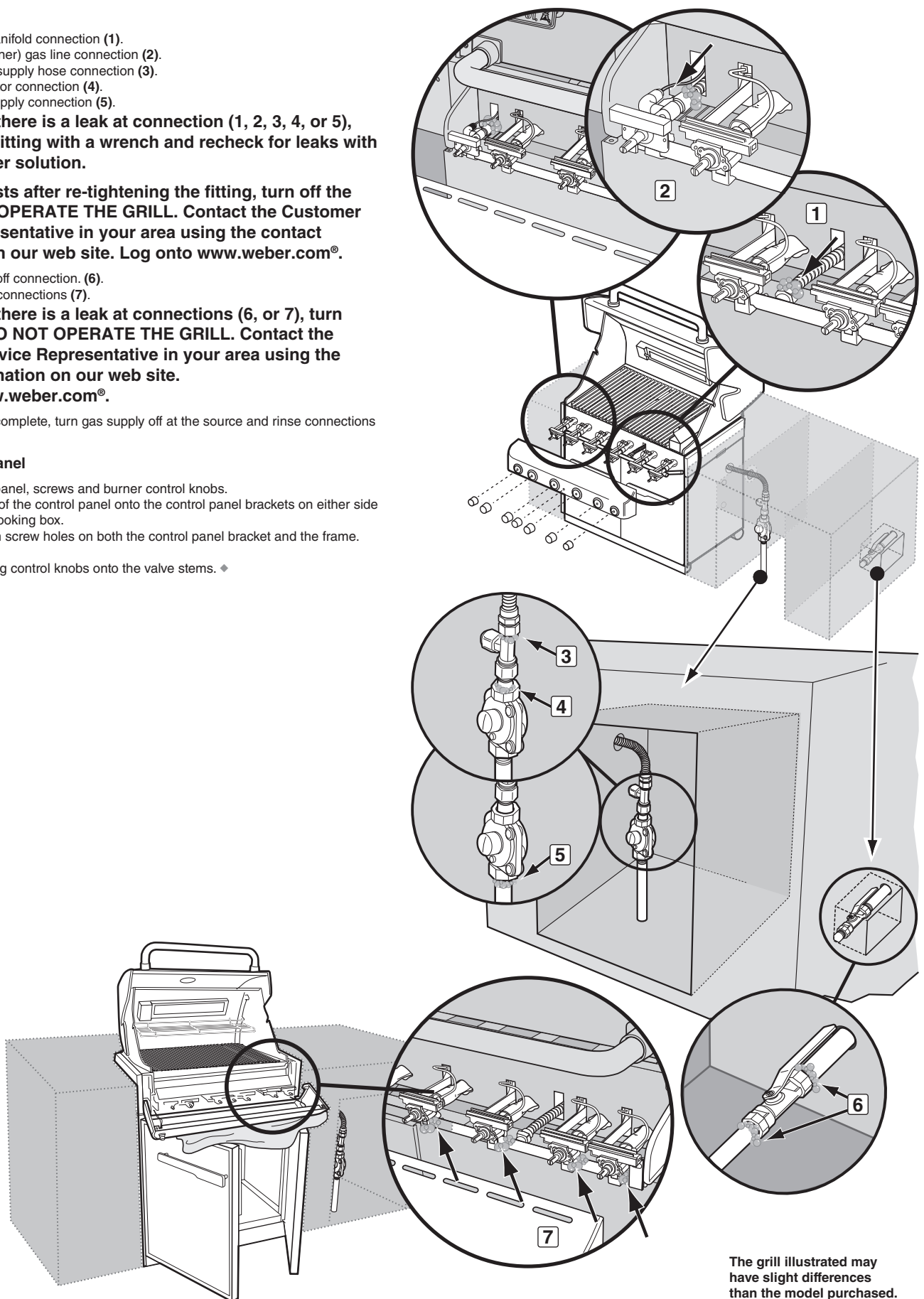
⚠ WARNING: If there is a leak at connections (6, or 7), turn off the gas. DO NOT OPERATE THE GRILL. Contact the Customer Service Representative in your area using the contact information on our web site. Log onto www.weber.com®.

When leak checks are complete, turn gas supply off at the source and rinse connections with water.

Reinstall Control Panel

Parts required: control panel, screws and burner control knobs.

- A) Hook the top edge of the control panel onto the control panel brackets on either side of the front of the cooking box.
- B) Line up screws with screw holes on both the control panel bracket and the frame. Tighten screws.
- C) Place corresponding control knobs onto the valve stems. ♦

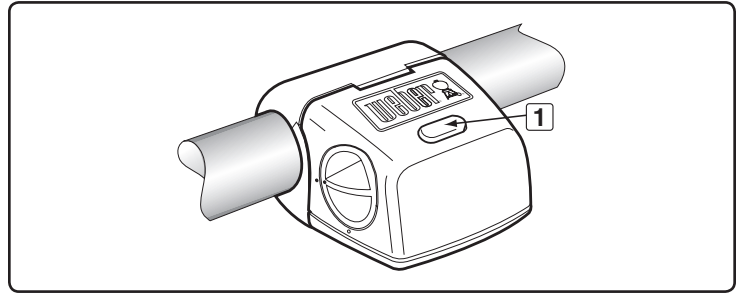


The grill illustrated may have slight differences than the model purchased.

LIGHT FEATURES

WEBER® GRILL OUT™ HANDLE LIGHT

The Weber Grill Out™ Handle Light has a built-in "Tilt Sensor." With the power button (1) activated, the light will come on when the grill lid is open. The light will turn off when the lid is closed. For daytime use, deactivate the sensor by pressing power button (1). ♦

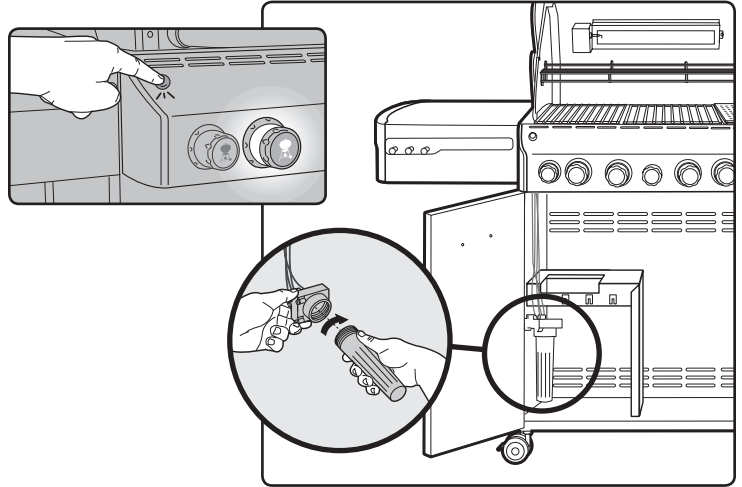


LIGHTED CONTROL KNOBS

Your gas grill comes with control knobs that light up; allowing you to fine tune heat settings, even in low light conditions.

Requires 3 "D" alkaline batteries. Do not mix old and new batteries or different types of batteries (standard, alkaline or rechargeable). Battery housing is located inside the cabinet on the left side.

To operate, activate power button. ♦



BEFORE USING YOUR GRILL

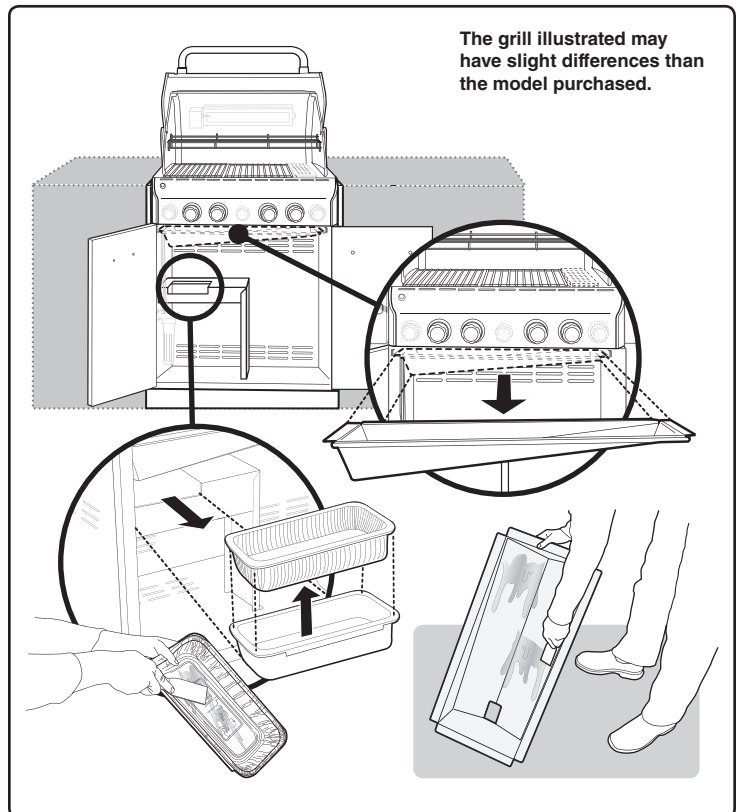
SLIDE OUT GREASE TRAY AND DISPOSABLE DRIP PAN

Your grill was built with a grease collection system. Check the slide out grease tray and disposable drip pan for grease build-up each time you use your grill.

Remove excess grease with a plastic spatula; see illustration. When necessary, wash the grease tray and drip pan with a soap and water solution, then rinse with clean water. Replace the disposable drip pan as needed.

⚠ WARNING: Check the slide out grease tray and disposable drip pan for grease build-up before each use. Remove excess grease to avoid a grease fire. A grease fire can cause serious bodily injury or damage to property.

⚠ CAUTION: Do not line the slide out grease tray with aluminum foil. ♦

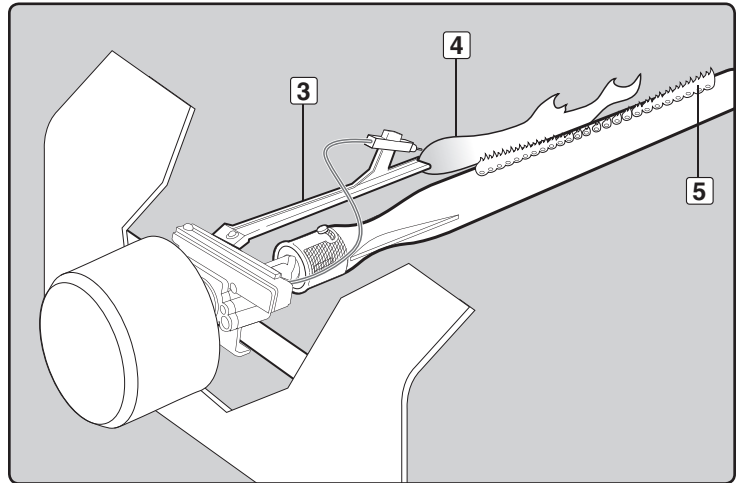
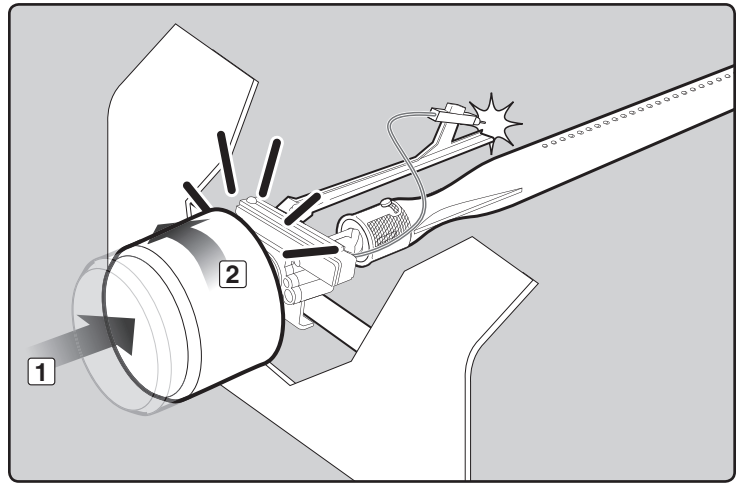


SNAP IGNITION OPERATION

⚠ **Always open the lid before igniting the burners.**

- A) Each control knob has its own igniter electrode built in. To create a spark you must push the control knob in (1) and turn to START/HI (2).
- B) This action will generate gas flow and a spark to the burner lighting tube (3). You will hear a “snap” from the igniter. You will also see a 3 - 5 orange flame coming from the burner lighting tube at the left side of the burner (4).
- C) **Continue to hold the burner control knob in for two seconds after the “snap”!** This will allow gas to flow completely down the burner tube (5) and insure ignition.
- D) Check that the burner is lit by looking through the cooking grates. You should see a flame. If burner does not light on first try, push control knob in and turn to OFF. Repeat lighting procedure a second time.

⚠ **WARNING: If the burner still does not light, turn the burner control knob to OFF and wait five minutes to let the gas clear before you try again or try to light with a match. ♦**



MAIN BURNER IGNITION & USAGE

MAIN BURNER IGNITION

Summary lighting instructions are inside the left hand cabinet door.

⚠ DANGER

Failure to open the lid while igniting the barbecue's burners, or not waiting five minutes to allow the gas to clear if the barbecue does not light, may result in an explosive flame-up which can cause serious bodily injury or death.

Main Burner Snap Ignition

Note: Each control knob snap igniter creates a spark from the igniter electrode to the burner lighting tube. You generate the energy for the spark by pushing in the control knob and turning to START/HI. This will ignite each individual burner.

⚠ **WARNING:** Check hose before each use of barbecue for nicks, cracking, abrasions or cuts. If the hose is found to be damaged in any way, do not use the barbecue. Replace using only Weber® authorized replacement hose. Contact the Customer Service Representative in your area using the contact information on our web site.

Log onto www.weber.com®.

- A) Open the lid (1).
- B) Make sure all burner control knobs are turned to OFF (2). (Push control knob in and turn clockwise to ensure that it is in the OFF position.)
- C) Turn on the gas supply at source (3).

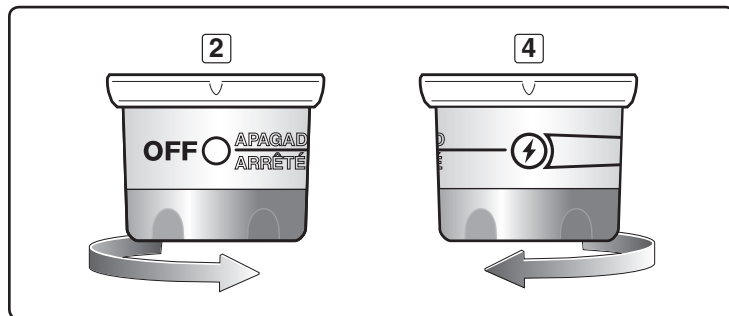
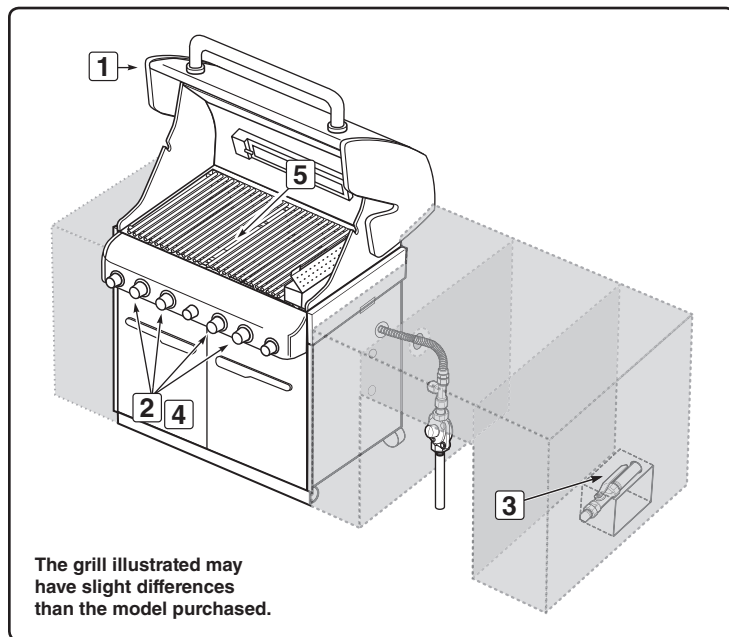
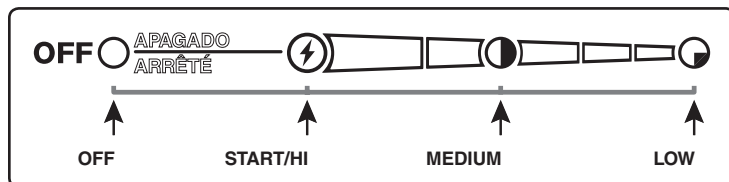
⚠ **WARNING:** Do not lean over the open barbecue.

- D) Push the control knob in and turn to START/HI until you hear the igniter snap, continue to hold control knob in for two seconds (4). This action will spark the igniter, the burner lighting tube and then main burner.
- E) Check that the burner is lit by looking through the cooking grates (5). You should see a flame. If burner does not light on first try, push control knob in and turn to OFF. Repeat lighting procedure a second time.

⚠ **WARNING:** If the burner still does not light, turn the burner control knob to OFF and wait five minutes to let the gas clear before you try again or try to light with a match. ♦

TO EXTINGUISH

Push in and turn each burner control knob clockwise to OFF position. Turn gas supply off at the source. ♦



MAIN BURNER IGNITION & USAGE

MAIN BURNER MANUAL IGNITION

⚠ DANGER

Failure to open the lid while igniting the barbecue's burners, or not waiting five minutes to allow the gas to clear if the barbecue does not light, may result in an explosive flare-up which can cause serious bodily injury or death.

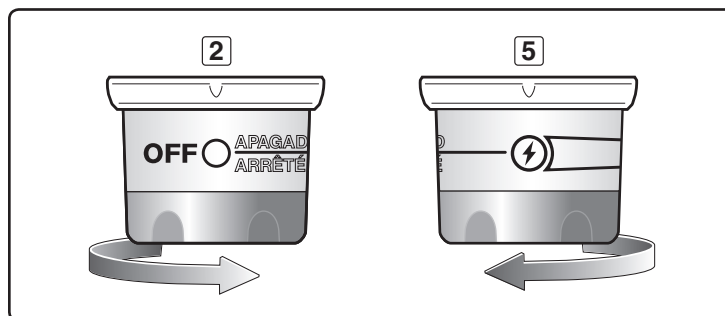
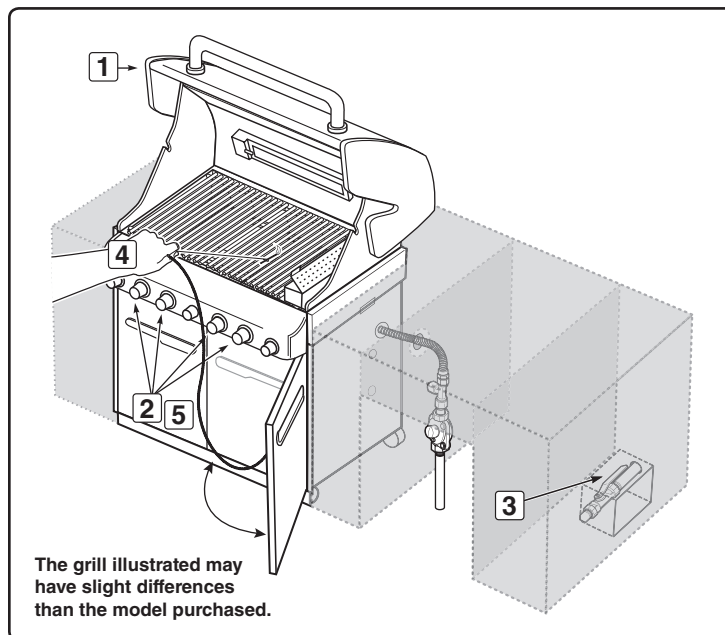
- A) Open the lid (1).
- B) Make sure all burner control knobs are turned to OFF (2). (Push each knob in and turn clockwise to ensure they are in the OFF position.)
- C) Turn on the gas supply at source (3).
- D) Put match in the match holder and strike match.
- E) Insert match holder and lit match down through cooking grates and Flavorizer® bars to ignite the selected burner (4).
- F) Push the control knob in and turn to START/HI (5).

⚠ **WARNING: Do not lean over open barbecue.**

⚠ **WARNING: If the burner does not light, turn burner control knob to OFF and wait 5 minutes to let the gas clear before you try again.** ♦

TO EXTINGUISH

Push in and turn each burner control knob clockwise to OFF position. Turn gas supply off at the source. ♦



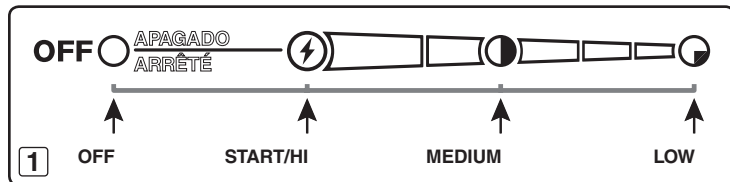
GRILLING TIPS & HELPFUL HINTS

- Always preheat the grill before cooking. Set all burners on HI heat and close lid; heat for 10 minutes, or until thermometer registers 500°-550° F (260°-288°C).
- Sear meats and cook with the lid down for perfectly grilled food every time.
- Grilling times in recipes are based on 70°F (20°C) weather and little or no wind. Allow more cooking time on cold or windy days, or at higher altitudes. Allow less cooking time in extremely hot weather.
- Grilling times can vary because of the weather, or the amount, size and shape of the food being grilled.
- The temperature of your gas grill may run hotter than normal for the first few uses.
- Grilling conditions may require the adjustment of the burner controls to attain the correct cooking temperatures.
- In general, large pieces of meat will require more cooking time per pound than small pieces of meat. Foods on a crowded cooking grate will require more cooking time than just a few foods. Foods grilled in containers, such as baked beans, will require more time if grilled in a deep casserole rather than a shallow baking pan.
- Trim excess fat from steaks, chops and roasts, leaving no more than a scant ¼ inch (6.4mm) of fat. Less fat makes cleanup easier, and is a virtual guarantee against unwanted flare-ups.
- Foods placed on the cooking grate directly above burners may require turning or moving to a less hot area.
- Use tongs rather than a fork for turning and handling meats to avoid losing natural juices. Use two spatulas for handling large whole fish.
- If an unwanted flare-up should occur, turn all burners off and move food to another area of the cooking grate. Any flames will quickly subside. After flames subside, relight the grill. NEVER USE WATER TO EXTINGUISH FLAMES ON A GAS GRILL.
- Some foods, such as a casserole or thin fish fillets, will require a container for grilling. Disposable foil pans are very convenient, but any metal pan with ovenproof handles can also be used.
- Always be sure the slide out grease tray and catch pan are clean and free from debris.
- Do not line the slide out grease tray with foil. This could prevent the grease from flowing into the catch pan.
- Using a timer will help to alert you when “well-done” is about to become “over-done.”

Note: If grill loses heat while cooking refer to the troubleshooting section of this manual.

⚠ WARNING: Do not move the Weber® gas barbecue when operating or while barbecue is hot.

You can adjust the individual burners as desired. The control settings (1) are OFF, START/HI, MEDIUM, or LOW.



Note: The temperature inside your cookbox for the first few uses, while surfaces are still very reflective, may be hotter than those shown in your cookbook. Cooking conditions, such as wind and weather, may require the adjustment of the burner controls to obtain the correct cooking temperatures.

If burners go out during cooking, turn off all burners and wait five minutes before relighting. ♦

PREHEATING

Your Weber® gas barbecue is an energy-efficient appliance. It operates at an economical low BTU rate. Preheating the grill before grilling is important. Light your grill according to the instructions in this Owner's Manual. To preheat: after lighting turn all burners to START/HI, close the lid, and heat until the temperature reaches between 500° and 550° F (260° and 290° C), the recommended broiling temperature. This will take 10 to 15 minutes depending on conditions such as air temperature and wind. ♦

COVERED COOKING

All grilling is done with the lid down to provide uniform, evenly circulated heat. With the lid closed, the gas grill cooks much like a convection oven. The thermometer in the lid indicates the cooking temperature inside the grill. All preheating and grilling is done with the lid down. No peeking — heat is lost every time you lift the lid. ♦

DRIPPINGS AND GREASE

The Flavorizer® bars are designed to “smoke” the correct amount of drippings for flavorful cooking. Excess drippings and grease will accumulate in the catch pan under the slide out grease tray. Disposable foil drip pans are available that fit the catch pan.

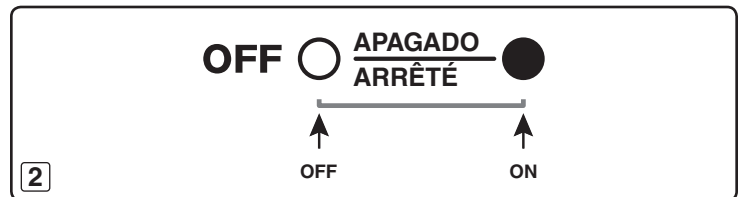
⚠ WARNING: Check the slide out grease tray and catch pan for grease build-up before each use. Remove excess grease to avoid a grease fire in the slide out grease tray. ♦

FLAVORIZER® SYSTEM

When meat juices drip from the food onto the specially angled Flavorizer® bars, they create smoke that gives foods an irresistible barbecued flavor. Thanks to the unique design of the burners, Flavorizer® bars and the flexible temperature controls, uncontrolled flare-ups are virtually eliminated, because YOU control the flames. Because of the special design of the Flavorizer® bars and burners, excess fats are directed through the slide out grease tray into the grease catch pan. ♦

SEAR STATION®

Your Weber® gas barbecue may include a sear burner for searing thin meats and fish. The Sear Station® burner has an OFF, START/HI, or LOW control setting (2) that works with the two adjacent main burners. With the sear and adjacent burners you can effectively sear meats while using other cooking areas for cooking with moderate heat (Refer to “SEAR STATION® IGNITION & USAGE (330 MODEL)” section). ♦



COOKING METHODS

The most important thing to know about grilling is which cooking method to use for a specific food, Direct or Indirect. The difference is simple: place the food directly over the fire, or arrange the fire on either side of it. Using the right method is the shortest route to great results—and the best way to ensure doneness safety. ♦

DIRECT COOKING

The Direct Method, similar to broiling, means the food is cooked directly over the heat source. For even cooking, food should be turned once halfway through the grilling time. Use the Direct method for foods that take less than 25 minutes to cook: steaks, chops, kabobs, sausages, vegetables, and more.

Direct cooking is also necessary to sear meats. Searing creates that wonderful crisp, caramelized texture where the food hits the grate. It also adds great color and flavor to the entire surface. Steaks, chops, chicken breasts, and larger cuts of meat all benefit from searing.

To sear meats, place them over Direct High heat for 2 to 5 minutes per side. Smaller pieces require less searing time. Usually after searing you finish cooking the food at a lower temperature. You can finish cooking fast-cooking foods by the Direct method; use the Indirect method for longer-cooking foods.

To set up your gas grill for Direct cooking, preheat the grill with all burners on HI. Place food on the cooking grate, and then adjust all burners to the temperature noted in the recipe. Close the lid of the grill and lift it only to turn food or to test for doneness at the end of the recommended cooking time. ♦

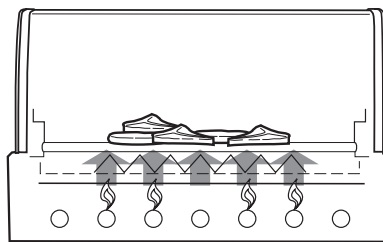
INDIRECT COOKING

The Indirect Method is similar to roasting, but with the added benefits of that grilled texture, flavor, and appearance you can't get from an oven. To set up for Indirect cooking, gas burners are lit on either side of the food but not directly beneath it. Heat rises, reflects off the lid and inside surfaces of the grill, and circulates to slowly cook the food evenly on all sides, much like a convection oven, so there's no need to turn the food.

Use the Indirect method for foods that require 25 minutes or more of grilling time or that are so delicate that direct exposure to the flame would dry them out or scorch them. Examples include roasts, ribs, whole chickens, turkeys, and other large cuts of meat, as well as delicate fish fillets.

To set up your gas grill for Indirect cooking, preheat the grill with all burners on HI. Then adjust the burners on each side of the food to the temperature noted in the recipe and turn off the burner(s) directly below the food. For best results, place roasts, poultry, or large cuts of meat on a roasting rack set inside a disposable heavy-gauge foil pan. For longer cooking times, add water to the foil pan to keep drippings from burning. The drippings can be used to make gravies or sauces. ♦

4 BURNER

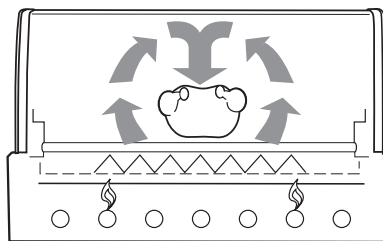


1 2 3 4
H H H H

DIRECT METHOD

Food is placed on the area of the cooking grates directly over the lit burners.

4 BURNER



1 2 3 4
M M

INDIRECT METHOD

Food is placed on the area of the cooking grates between the lit burners.

SEAR STATION® IGNITION & USAGE

SEAR STATION® BURNER IGNITION

Summary lighting instructions are inside the left hand cabinet door.

⚠ DANGER

Failure to open the lid while igniting the barbecue's burners, or not waiting five minutes to allow the gas to clear if the barbecue does not light, may result in an explosive flame-up which can cause serious bodily injury or death.

The Sear Station® burner has an on or off control setting. To ignite the Sear Station® burner you must first ignite the two adjacent main burners.

Adjacent Main Burner Snap Ignition

Note: Each main burner control knob snap igniter creates a spark from the igniter electrode to the burner lighting tube. You generate the energy for the spark by pushing in the control knob and turning to START/HI. This will ignite each individual burner.

⚠ **WARNING: Check hose before each use of barbecue for nicks, cracking, abrasions or cuts. If the hose is found to be damaged in any way, do not use the barbecue. Replace using only Weber® authorized replacement hose. Contact the Customer Service Representative in your area using the contact information on our web site.**

Log onto www.weber.com®.

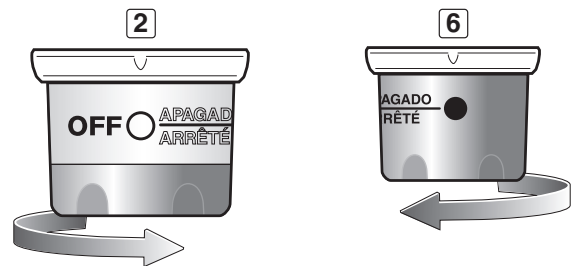
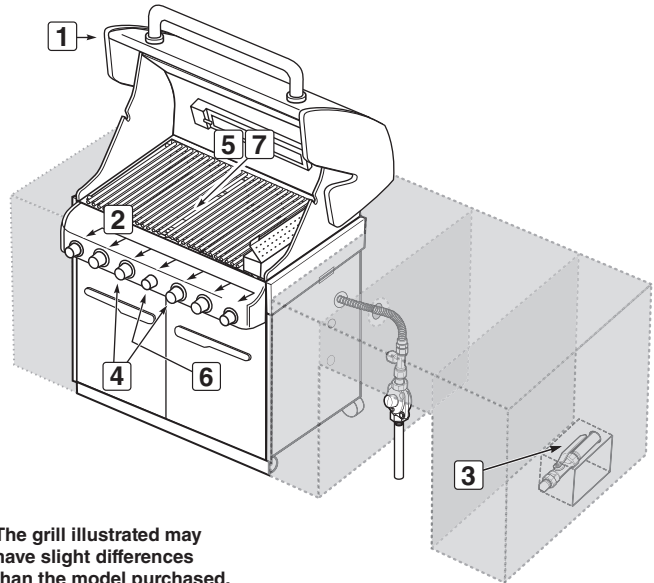
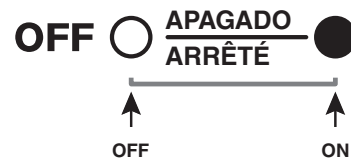
- A) Open the lid (1).
 - B) Make sure all burner control knobs are turned off (2). (Push control knob in and turn clockwise to ensure that it is in the OFF position.)
 - C) Turn on the gas supply at source (3).
- ⚠ **WARNING: Do not lean over the open barbecue.**
- D) Ignite each adjacent Sear Station® main burner (4). Push the control knob in and turn to START/HI until you hear the igniter snap - continue to hold control knob in for two seconds. This action will spark the igniter, the burner lighting tube and then main burner.
 - E) Check that the burner is lit by looking through the cooking grates (5). You should see a flame. If burner does not light on first try, push control knob in and turn to OFF. Repeat lighting procedure a second time.

Sear Station® Burner Lighting: Ignition By An Adjacent Ignited Main Burner

- F) Turn Sear Station® burner control knob to the ON position (6).
 - G) Verify burner ignition by visual inspection of a flame (7).
- ⚠ **WARNING: If ignition does not occur in five seconds, turn burner control OFF, wait five minutes, and repeat steps F & G, or see "SEAR STATION® BURNER MANUAL IGNITION" instructions.**
- ⚠ **WARNING: If the burner still does not light, turn the burner control knob to OFF and wait five minutes to let the gas clear before you try again or try to light with a match.**
- Note: See "MAINTENANCE" for burner removal and cleaning procedure. ♦**

TO EXTINGUISH

Push in and turn each burner control knob clockwise to OFF position. Turn gas supply off at the source. ♦



SEAR STATION® IGNITION & USAGE

SEAR STATION® BURNER MANUAL IGNITION

⚠ DANGER

Failure to open the lid while igniting the barbecue's burners, or not waiting five minutes to allow the gas to clear if the barbecue does not light, may result in an explosive flare-up which can cause serious bodily injury or death.

The Sear Station® burner has an on or off control setting. To ignite the Sear Station® burner you must first ignite the two adjacent main burners.

Adjacent Main Burner Snap Ignition

Note: Each main burner control knob snap igniter creates a spark from the igniter electrode to the burner lighting tube. You generate the energy for the spark by pushing in the control knob and turning to START/HI. This will ignite each individual burner.

- Open the lid (1).
- Verify each adjacent Sear Station® main burner is lit by visual inspection of a flame (2).
- Put match in the match holder and strike match.
- Insert match holder and lit match down through cooking grates and Flavorizer® bars to ignite the Sear Station® burner (3).
- Push the Sear Station® control knob in and turn to the ON position (4).

⚠ **WARNING: Do not lean over open barbecue.**

D) Insert match holder and lit match down through cooking grates and Flavorizer® bars to ignite the Sear Station® burner (3).

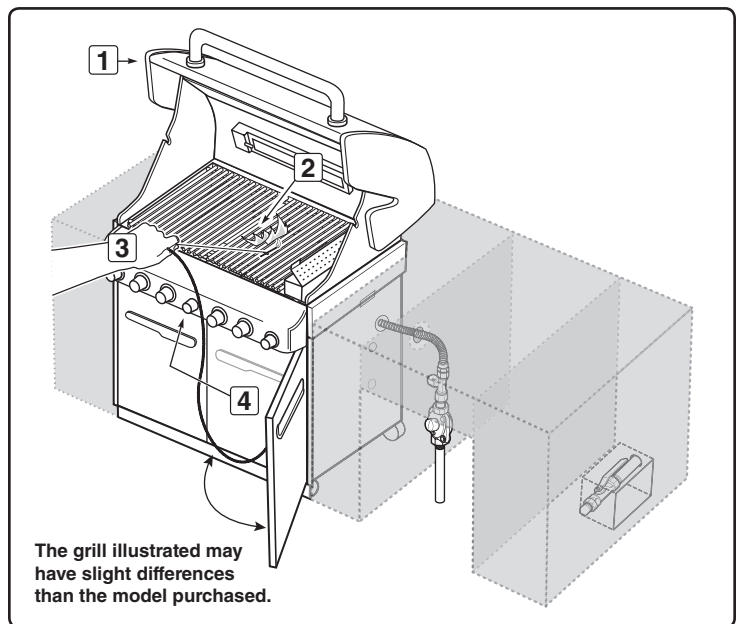
E) Push the Sear Station® control knob in and turn to the ON position (4).

⚠ **WARNING: If the burner does not light, turn the burner control knob to OFF and wait five minutes to let the gas clear before you try again.**

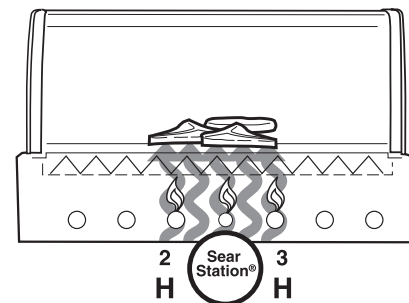
Note: See "MAINTENANCE" for burner removal and cleaning procedure. ♦

TO EXTINGUISH

Push in and turn each burner control knob clockwise to OFF position. Turn gas supply off at the source. ♦



4 BURNER



SEAR METHOD

Food is placed in the area of intense heat between the lit burners

USING THE SEAR STATION®

Your Weber® gas barbecue includes a sear burner for searing meats such as steak, poultry parts, fish, and chops).

Searing is a direct grilling technique which browns the surface of the food at a high temperature. By searing or browning both sides of the meat you will create a more desirable flavor by caramelizing the food surface. Searing will also enhance appearance of the meat with sear marks from the cooking grates. This along with the contrast of textures and flavors can make food more interesting to the palate.

The Sear Station® burner has an on or off control setting that works with the two adjacent main burners. With the sear and adjacent burners you can effectively sear meats while using other cooking areas for grilling with moderate heat.

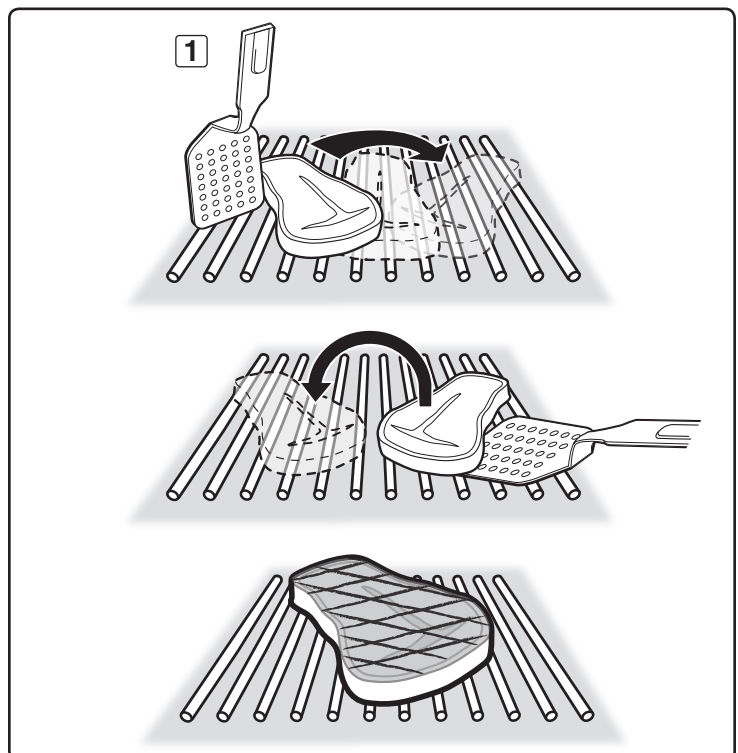
Before searing you should turn all of the main burners on HI for 15 minutes to preheat the grill. Note: Always grill with the lid closed to allow for maximum heat and to avoid flare ups.

Once the grill is preheated, turn the outer burners off or down to low. Leave the center two burners on HI and ignite the Sear Station Burner.

Place the meat directly over the Sear Station®. You will Sear each side anywhere from 1 to 4 minutes, depending on the type of meat and thickness. You may turn the food a quarter turn to make crossing sear marks (1) before you sear the other side in the same manner.

Once you are done searing you can finish grilling by moving the meat to a more moderate heat over the outside burners to achieve the desired doneness.

As you gain experience in using your Sear Station®, we encourage you to experiment with different searing times to find results that work best for your taste. ♦



SMOKER BURNER IGNITION & USAGE

SMOKER BURNER IGNITION

⚠ DANGER

Failure to open the lid while igniting the grill, or not waiting five minutes to allow the gas to clear if the grill does not light, may result in an explosive flare-up which can cause serious bodily injury or death.

Smoker Burner Snap Ignition

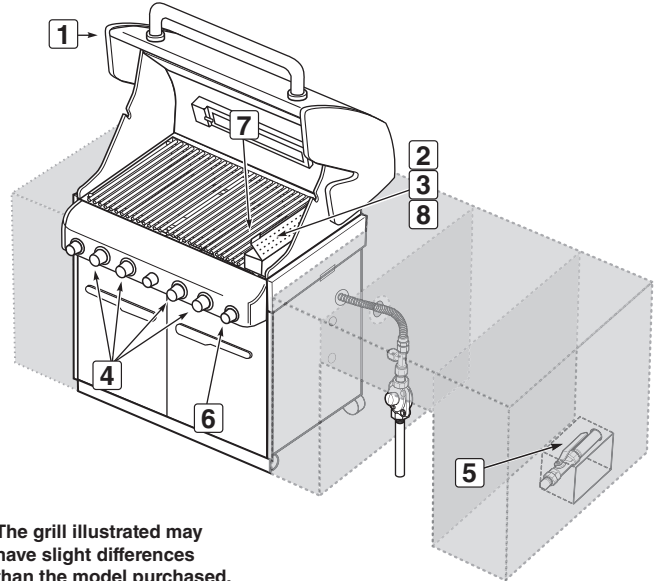
Note: The control knob snap igniter creates a spark from the igniter electrode to the burner lighting tube. You generate the energy for the spark by pushing in the control knob and turning to START/HI. This will ignite the smoker burner.

⚠ **WARNING:** Check hose before each use of grill for nicks, cracking, abrasions or cuts. If the hose is found to be damaged in any way, do not use the grill. Replace using only Weber® authorized replacement hose. Contact the Customer Service Representative in your area using the contact information on our web site. Log onto www.weber.com®.

- A) Open the grill lid (1).
- B) Open smoker box lid (2).
- C) Fill smoker with water soaked wood chunks or chips (3).
- D) Make sure that all burner control knobs not being used are turned to OFF (4). (Push control knob in and turn clockwise to ensure that it is in the OFF position).
- E) Turn on the gas at source (5).

⚠ **WARNING:** Do not lean over the open grill while lighting.

- F) Push the control knob in and turn to START/HI until you hear the igniter snap (6), continue to hold control knob in for two seconds. This action will spark the igniter, the burner lighting tube, and then smoker burner.
- G) Check that the burner is lit by looking through the cooking grates (7). You should see a flame. If burner does not light on first try, push control knob in and turn to OFF. Repeat lighting procedure a second time.



The grill illustrated may have slight differences than the model purchased.

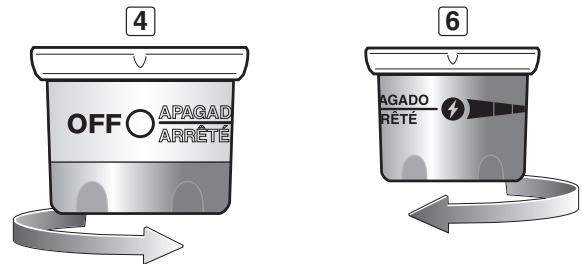
⚠ DANGER

If the smoker burner still does not light, turn the burner control knob to OFF and wait five minutes to let the gas clear before you try again, or try lighting with a match (see "SMOKER BURNER MANUAL IGNITION").

- H) Close smoker cover (8) after wood starts to smolder and turn control knob to LOW. ♦

TO EXTINGUISH

Push in and turn each burner control knob clockwise to OFF position. Turn gas supply off at the source. ♦



SMOKER BURNER IGNITION & USAGE

SMOKER BURNER MANUAL IGNITION

A) Open the lid (1).

⚠ DANGER

Failure to open the lid while igniting the grill, or not waiting five minutes to allow the gas to clear if the grill does not light, may result in an explosive flare-up which can cause serious bodily injury or death.

B) Open smoker box lid (2).

C) Fill smoker with water soaked wood chunks or chips (3).

D) Make sure that all burner control knobs not being used are turned to OFF (4).
(Push control knob in and turn clockwise to ensure that it is in the OFF position.)

E) Turn on the gas at source (5).

F) Put a match in the match holder and strike the match.

G) Insert match holder and lit match down through cooking grates and Flavorizer® bars to ignite smoker burner (6).

⚠ **WARNING: Do not lean over the open grill while lighting.**

H) Push smoker burner control knob in and turn to START/HI (7).

I) Check that the burner is lit by looking down through the cooking grate (8).

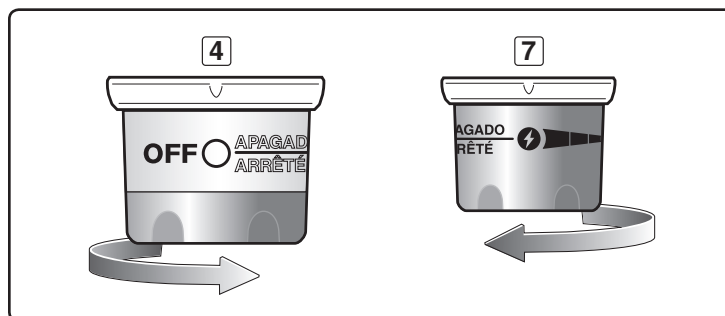
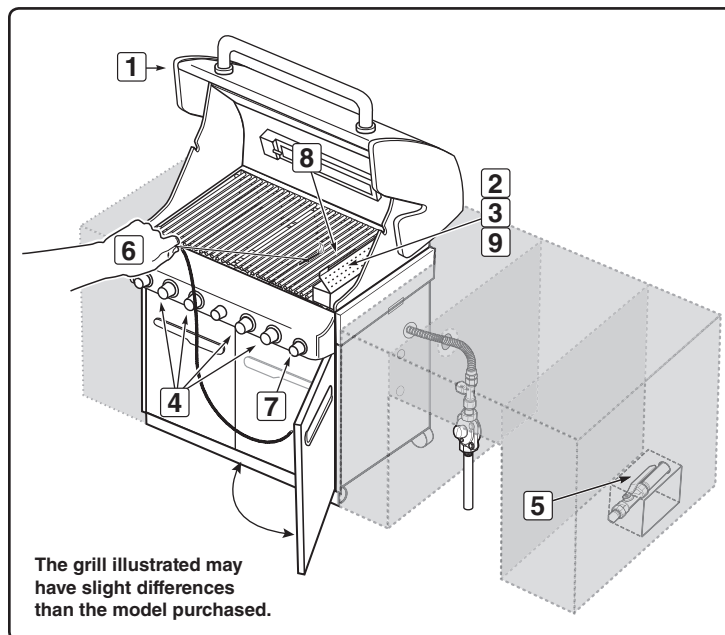
⚠ DANGER

If the smoker burner does not light, turn the burner control knob to OFF and wait five minutes to let the gas clear before you try again.

J) Close smoker cover (9) after wood starts to smolder and turn control knob to LOW. ♦

TO EXTINGUISH

Push in and turn each burner control knob clockwise to OFF position. Turn gas supply off at the source. ♦



SMOKER BURNER IGNITION & USAGE

USING THE SMOKER

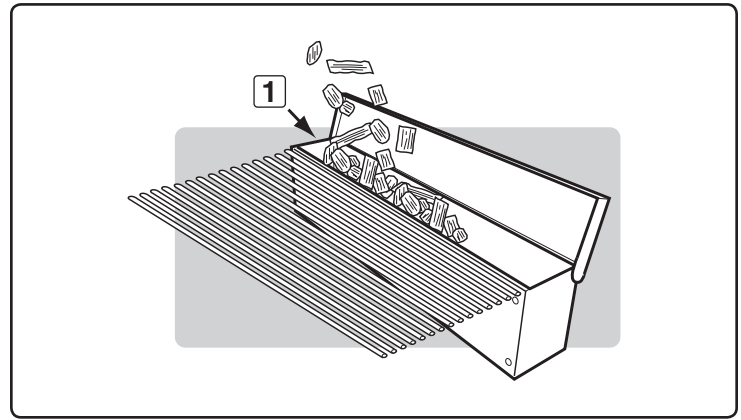
The smoker uses presoaked wood chips. For best results with faster cooking foods like steaks, burgers and chops, etc., we recommend using finer wood chips because they ignite and create smoke faster. For longer cooking foods such as roasts, chicken and turkeys, etc., we recommend using larger wood chunks because they ignite slowly and provide smoke for a longer period of time. As you gain experience in using your smoker, we encourage you to experiment with different combinations of wood chips and chunks to find the smoke flavor that best suits your taste.

As a starting point, soak wood chips in water for at least 30 minutes before using. (Wet wood will produce more smoke flavor.) Place a handful of wood chips or a few larger chunks in the bottom of the smoker body (1). As you gain experience in smoking, increase or decrease the amount of wood to suit your taste.

Note: Always grill with the lid closed to allow the smoke to fully penetrate the food. Light the smoker burner by following the instructions for "SMOKER BURNER IGNITION". After wood starts to smolder turn control knob to LOW.

Smoke will start in approximately 10 minutes and last as long as 45 minutes. If you require more smoke flavor, refill the smoker with wood chips and/or chunks. Keep the lid of the grill closed while cooking.

Note: After refilling smoker, smoke will take about 10 to 15 minutes to start again. The smoker may be used to enhance meat, poultry and fish recipes. Cook with the lid down according to the times indicated in charts or recipes.



⚠ DANGER

Do not use any flammable fluid in the smoker to ignite the wood. This will cause serious bodily injury. ♦

CLEANING THE SMOKER

Before each use, empty the smoker of ash to allow proper air flow.

Note: Smoking will leave a "smoke" residue on the surface of the smoker. This residue cannot be removed and will not affect the function of the smoker. To a lesser degree a "smoke" residue will accumulate on the inside of your gas grill. This residue need not be removed and will not adversely affect the function of your gas grill. ♦

ROTISSERIE BURNER IGNITION & USAGE

ROTISSERIE BURNER IGNITION

Rotisserie Burner Snap Ignition

Note: Each control knob snap igniter creates a spark from the igniter electrode to the burner lighting tube. You generate the energy for the spark by pushing in the control knob and turning to START/HI. This will ignite each individual burner.

⚠ ATTENTION: READ BEFORE LIGHTING ROTISSERIE BURNER

After a period of non-use, before lighting the Rotisserie Burner, a few seconds must pass for the gas supply line to fill.

When using the snap igniter you will see a flash of flames moving from left to right across the Rotisserie Burner surface, the Rotisserie Burner is not lit until the entire ceramic surface is aflame.

At this point, start a count of 20 seconds before releasing the Rotisserie Burner control knob.

The Rotisserie Burner surface will glow red once the burner is fully ignited.

⚠ DANGER

Failure to open the lid while igniting the grill, or not waiting five minutes to allow the gas to clear if the grill does not light, may result in an explosive flare-up which can cause serious bodily injury or death.

⚠ CAUTION: The Rotisserie Burner flame may be difficult to see on a bright sunny day.

⚠ WARNING: Check hose before each use of grill for nicks, cracking, abrasions or cuts. If the hose is found to be damaged in any way, do not use the grill. Replace using only a Weber® authorized replacement hose. Contact the Customer Service Representative in your area using the contact information on our web site. Log onto www.weber.com.

- A) Open the lid (1).
- B) Remove the warming rack and the cooking grates from the cookbox (2).
- C) Make sure all burner control knobs are turned to off (3). (Push control knob in and turn clockwise to ensure that it is in the OFF position.)
- D) Turn on the gas at source (4).

⚠ WARNING: Do not lean over the open grill.

E) Push the control knob in and turn to START/HI (5). This action will spark the igniter and light the Rotisserie Burner. Continue to use the snap igniter until the Rotisserie Burner has ignited. Continue to hold the control knob down until twenty seconds after the burner has ignited. Release the control knob.

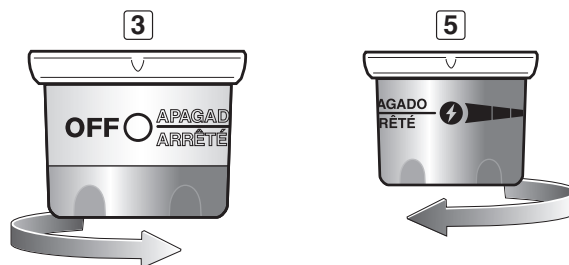
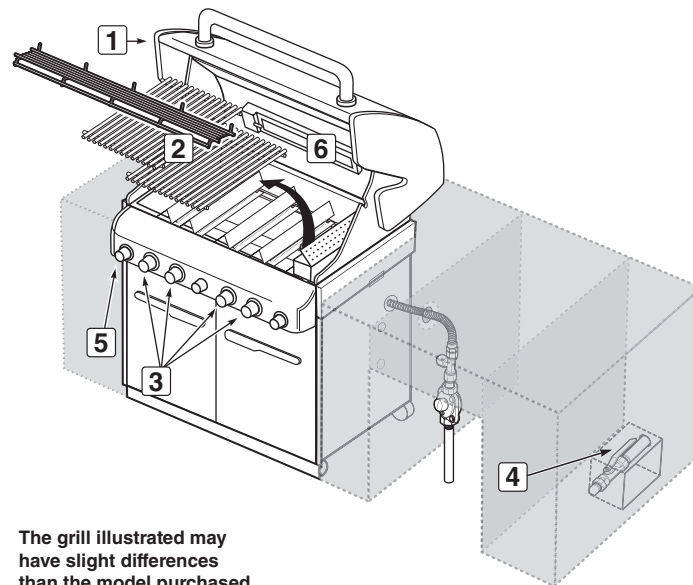
F) Check that the burner is lit by looking for the rotisserie burner to glow red (6).

⚠ WARNING: If the rotisserie burner does not light, turn the burner control knob to OFF and wait five minutes to let the gas clear before you try again or try to light with a match.

Note: When using the rotisserie with the lid closed, only light two of the main burners on each side of the food (See "INDIRECT COOKING"). Check your food periodically to prevent over cooking on the outside. Turn off the rotisserie burner once the food has browned to the desired color. Finish cooking on indirect heat.

TO EXTINGUISH

Push in and turn each burner control knob clockwise to OFF position. Turn gas supply off at the source. ♦



ROTISSERIE BURNER IGNITION & USAGE

ROTISSERIE BURNER MANUAL IGNITION

⚠ ATTENTION: READ BEFORE LIGHTING ROTISSERIE BURNER

After a period of non-use, before lighting the Rotisserie Burner, a few seconds must pass for the gas supply line to fill. When holding a match to the rotisserie burner you will see a flash of flames moving from left to right across the Rotisserie Burner surface, the Rotisserie Burner is not lit until the entire ceramic surface is aflame. At this point, start a count of 20 seconds before releasing the Rotisserie Burner control knob. The Rotisserie Burner surface will glow red once the burner is fully ignited.

⚠ DANGER

Failure to open the lid while igniting the grill, or not waiting 5 minutes to allow the gas to clear if the grill does not light, may result in an explosive flare-up which can cause serious bodily injury or death.

⚠ **CAUTION:** The Rotisserie Burner flame may be difficult to see on a sunny day.

⚠ **WARNING:** Check hose before each use of grill for nicks, cracking, abrasions or cuts. If the hose is found to be damaged in any way, do not use the grill. Replace using only a Weber® authorized replacement hose. Contact the Customer Service Representative in your area using the contact information on our web site. Log onto www.weber.com®.

- A) Open the lid (1).
- B) Remove the warming rack and the cooking grates from the cookbox (2).
- C) Make sure all burner control knobs are turned to off (3). (Push control knob in and turn clockwise to ensure that it is in the OFF position.)
- D) Turn on the gas at source (4).
- E) Put a match in the match holder and strike the match.
- F) Hold match holder and lit match by right side of rotisserie burner (5).

⚠ **WARNING: Do not lean over the open grill.**

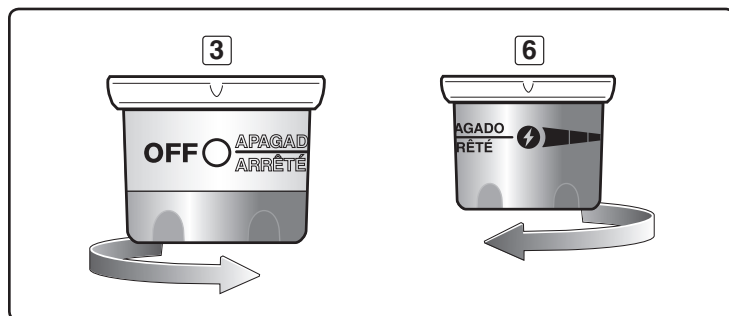
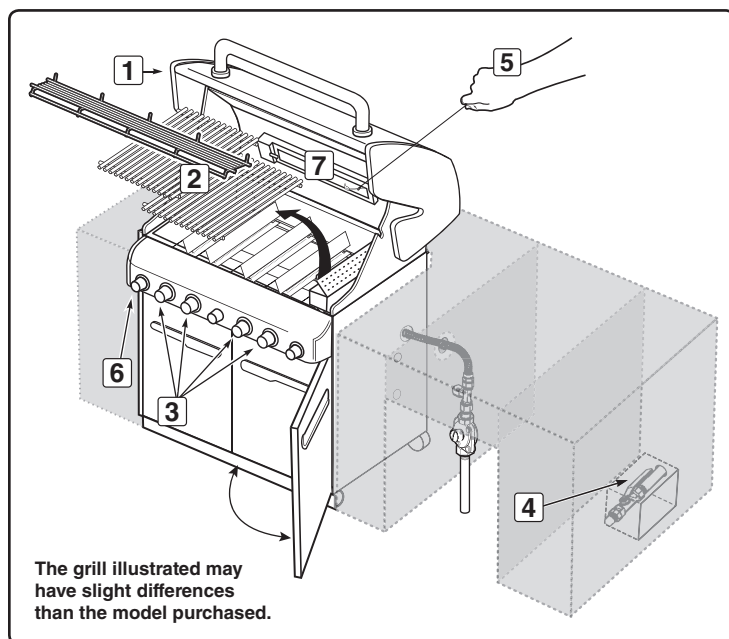
- G) Push rotisserie burner control knob down and turn to START/HI (6). Continue to hold the control knob down until twenty seconds after the burner has ignited.
- H) Check that the burner is lit by looking for the rotisserie burner to glow red (7).

⚠ **WARNING: If the rotisserie burner does not light, turn the burner control knob to OFF and wait five minutes to let the gas clear before you try again.**

Note: When using the rotisserie with the lid closed, only light two of the main burners under the food (See "INDIRECT COOKING"). Check your food periodically to prevent over cooking on the outside. Turn off the rotisserie burner once the food has browned to the desired color. Finish cooking on indirect heat. ♦

TO EXTINGUISH

Push in and turn each burner control knob clockwise to OFF position. Turn gas supply off at the source. ♦



ROTISSERIE BURNER IGNITION & USAGE

IMPORTANT SAFEGUARDS

Note: Before using your rotisserie, measure your food at the widest point. If it exceeds 9½" (241.8mm), it is too large to fit the rotisserie. If it is too large, food can be prepared using a roast holder and the Indirect Cooking Method.

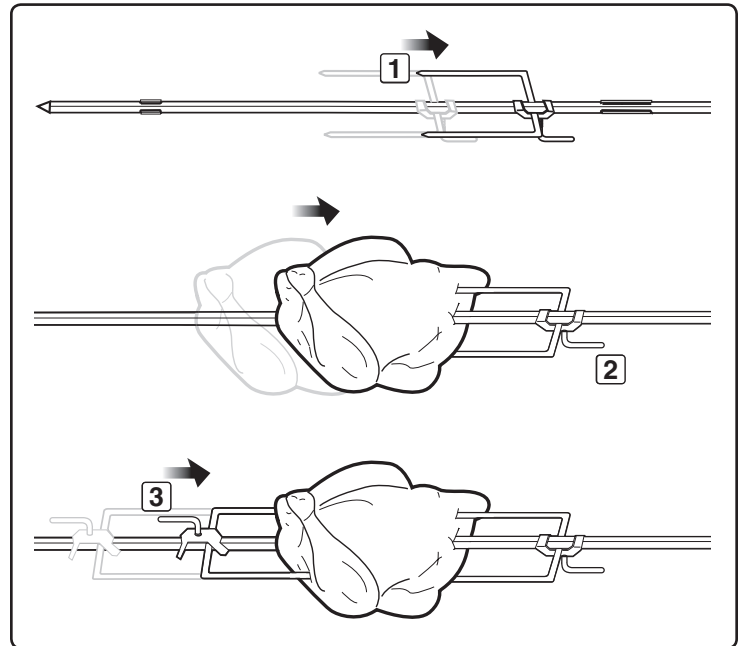
⚠ WARNINGS

- ⚠ Read all instructions before using your rotisserie.
- ⚠ This rotisserie is for outdoor use only.
- ⚠ Remove motor and store in a dry place when not in use.
- ⚠ Do not touch hot surfaces. Use barbecue mitts.
- ⚠ This rotisserie is not for use by children.
- ⚠ To protect against electrical hazards do not immerse cord, plugs, or motor in water or other liquids.
- ⚠ Unplug the motor from outlet when not in use or before cleaning.
- ⚠ Do not use rotisserie for other than intended use.
- ⚠ Make sure motor is off before placing it on the motor bracket.
- ⚠ Do not operate the rotisserie motor with a damaged cord or plug.
- ⚠ Do not operate the rotisserie motor if it should malfunction.
- ⚠ The rotisserie motor is equipped with a three prong (grounding) power cord for your protection against shock hazard.
- ⚠ The power cord should be plugged directly into a properly grounded three prong receptacle. If use of an extension cord is required, be sure that it is a minimum 16 AWG (1.3mm), 3-wire, well insulated cord marked for OUTDOOR USE ONLY and properly grounded.
- ⚠ When using an extension cord, make sure it is not in contact with a hot or sharp surface.
- ⚠ Outdoor extension cords should be marked with the letters "W-A" and a tag stating "Suitable for use with outdoor appliances".
- ⚠ Do not cut or remove the grounding prong from the rotisserie motor power cord.
- ⚠ Do not let cord hang over any sharp edge or hot surface.
- ⚠ To reduce the risk of electric shock, keep extension cord connection dry and off the ground.
- ⚠ A short power cord is supplied to reduce the risk of tripping over the cord. Extension cords may be used, but caution must be taken to prevent tripping over the cord.
- ⚠ In absence of local codes the rotisserie motor must be grounded electrically in accordance with the National Electric Code, ANSI / NFPA 70, or Canadian Electrical Code, CSA C22.1. ♦

OPERATING THE ROTISSERIE

⚠ **WARNING:** Set up the rotisserie with food before lighting rotisserie burner.

- A) Plug power cord into power source.
- ⚠ **CAUTION:** Do not route rotisserie motor power cord through the retractable rotisserie opening in the side table.
- ⚠ **CAUTION:** Inspect power cord before each use. If cord is damaged, do not use. Contact the Customer Service Representative in your area using the contact information on our web site. Log onto www.weber.com®.
- B) Slide one of the spit forks towards the right side of the rotisserie shaft, making sure that the spikes face to the left and the fork screw faces down (1).
- C) Push the rotisserie shaft through the center of the food. Insert the tines of both spit forks into the food. The food should be centered on the shaft. Tighten the spit fork screw (2).
- D) Slide another spit fork onto the rotisserie shaft, making sure that the spikes face to the right and the fork screw faces up. Insert the tines of both spit forks into the food. Tighten the spit fork screw (3).



ROTISSERIE BURNER IGNITION & USAGE

- E) Insert the pointed end of the rotisserie shaft into the motor. Lower the rotisserie spit into the grooves on the cookbox (4).
- F) The rotisserie shaft should rotate so that the heavy side of the meat or poultry rotates down to the bottom. Large cuts may require the removal of the cooking grates and warming rack to allow full rotation of the shaft. Remount the food if necessary for better balance.
- G) Turn the motor on. ♦

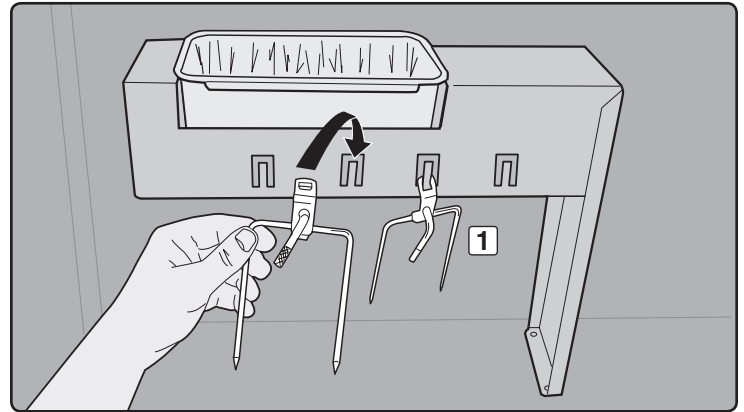
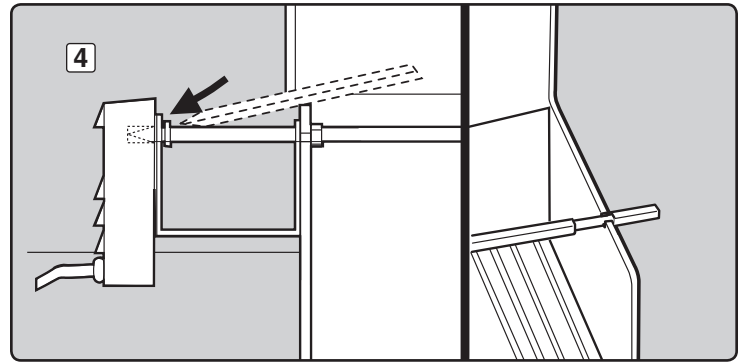
ROTISSERIE COOKING

- Meats (except poultry and ground meat) should be brought to room temperature before cooking. (20 to 30 minutes should be adequate for most foods. If frozen defrost completely before cooking.)
- Tie meat or poultry with a string, if necessary, to make the shape as uniform as possible before putting it on the spit.
- Remove cooking grates and warming rack to allow food to turn freely.
- Follow lighting instructions for rotisserie burner.
- Set rotisserie burner on medium-high based on outside air temperatures.
- Place food within area of burner.
- If you wish to save drippings for gravy, place a drip pan directly under the food on top of the Flavorizer® bars.
- Food preparation steps are the same for rotisserie cooking as for regular cooking.
- All cooking is done with the lid closed.
- If foods are too heavy or are irregular shapes, they may not rotate well and should be cooked by the Indirect Method without using the rotisserie.
- Smoker can be used in conjunction with rotisserie for more smoke flavor.

Note: When using the rotisserie burner, grill thermometer will not reflect the temperature inside the cooking box. ♦

ROTISSERIE FORK STORAGE

- A) Remove forks from rotisserie spit.
- B) Store rotisserie forks by placing them on the hooks located on the catch pan holder within the grill cabinet (1). ♦



TROUBLESHOOTING

PROBLEM	CHECK	SOLUTION
<p>Burners burn with a yellow or orange flame, in conjunction with the smell of gas (This is normal for the burner lighting tube).</p> <p><i>Symptoms:</i></p> <p>Burner does not light, or flame is low in HI position.</p>	Inspect Spider/Insect Screens for possible obstructions. (Blockage of holes.)	Clean Spider/Insect Screens (refer to "ANNUAL MAINTENANCE").
	Is fuel hose bent or kinked?	Straighten fuel hose.
	Does Burner light with a match?	Clean burners (refer to "MAINTENANCE").
	Did you use the snap igniter several times until the main burner lit (refer to "MAIN BURNER IGNITION")?	Make sure to hold the control knob in for two seconds after snapping the igniter and seeing the orange flame from the burner lighting tube.
	Does the igniter work? Do you see a spark when you repeatedly use the snap igniter?	Try manually lighting the burner (refer to "MAIN BURNER MANUAL IGNITION"). Call customer service.
<p>Experiencing flare-ups:</p> <p>⚠ CAUTION: Do not line the slide out grease tray with aluminum foil.</p>	Are you preheating barbecue in the prescribed manner?	All burners on HI for 10 to 15 minutes for preheating.
	Are the cooking grates and Flavorizer® bars heavily coated with burned-on grease?	Clean thoroughly (refer to "CLEANING").
	Is the bottom tray "dirty" and not allowing grease to flow into catch pan?	Clean bottom tray.
<p>Burner flame pattern is erratic. Flame is low when burner is on HI. Flames do not run the whole length of the burner tube.</p>	Are burners clean?	Clean burners (refer to "MAINTENANCE").
<p>Inside of lid appears to be "peeling." (Resembles paint peeling.)</p>	<p>The lid is porcelain enamel or stainless steel, not paint. It cannot "peel". What you are seeing is baked on grease that has turned to carbon and is flaking off.</p> <p>THIS IS NOT A DEFECT.</p>	Clean thoroughly (refer to "CLEANING").
<p>Cabinet doors are not aligned.</p>	Check the adjustment pin on the bottom of each door.	Loosen adjustment nut/s. Slide door/s until aligned. Tighten nut.
<p>If problems cannot be corrected by using these methods, please contact the Customer Service Representative in your area using the contact information on our web site. Log onto www.weber.com®.</p>		

SEAR STATION® TROUBLESHOOTING

PROBLEM	CHECK	SOLUTION
Burners burn with a yellow or orange flame, in conjunction with the smell of gas (This is normal for the burner lighting tube). Sear Station® burner does not light.	Inspect Spider/Insect Screens for possible obstructions. (Blockage of holes.)	Clean Spider/Insect Screens (refer to "ANNUAL MAINTENANCE").
	Did you ignite the two adjacent main burners? (Refer to "SEAR STATION® IGNITION & USAGE" instructions for safe lighting procedure)	Verify adjacent main burner ignition by visual inspection of a flame. ⚠ WARNING: If ignition does not occur in five seconds, turn burner control OFF, wait five minutes to let the gas clear before you try again
	Does Burner light with a match?	If you can light Burner with a match, then check the Crossover® Channel on the sear burner (refer to "MAINTENANCE" for burner removal and cleaning procedure).
	Does the igniter work (Do you see a spark when you repeatedly use the snap igniter?)	Try manually lighting the burner (refer to "SEAR STATION® IGNITION & USAGE"). Call customer service.
If problems cannot be corrected by using these methods, please contact the Customer Service Representative in your area using the contact information on our web site. Log onto www.weber.com®.		

ROTISSERIE TROUBLESHOOTING

PROBLEM	CHECK	SOLUTION
Rotisserie burner does not light.	Did you hold the burner control knob in and hold in for 20 seconds until after burner ignited?	Try to relight burner by holding burner control knob in and continue holding in until 20 seconds after burner has ignited.
	Did you wait to see the entire ceramic surface become alight before counting 20 seconds?	When relighting burner by holding burner control knob in, wait to see the entire ceramic surface become alight before counting 20 seconds?
	Did you repeatedly use the snap ignition until the burner ignited?	After waiting five minutes for gas to clear, try repeatedly to use the snap igniter until the burner ignites. Refer to "ROTISSERIE BURNER IGNITION & USAGE".
	Does the igniter work? (Do you see a spark when you repeatedly use the snap igniter?)	Try manually lighting the burner. Refer to "ROTISSERIE BURNER MANUAL IGNITION". Call Customer Service.
If problems cannot be corrected by using these methods, please contact the Customer Service Representative in your area using the contact information on our web site. Log onto www.weber.com®.		

GRILL OUT™ HANDLE LIGHT TROUBLESHOOTING

PROBLEM	CHECK	SOLUTION
Weber Grill Out™ Handle Light does not light.	Are the batteries old?	Replace batteries.
	Are the batteries installed correctly?	Refer to assembly illustration.
	Is the lid in the up position with the power button ON?	Light will activate when lid is open.
	Is the Weber Grill Out™ Handle Light activated?	Press the power button.
	Is the Weber Grill Out™ Handle Light positioned correctly on the handle?	Adjust position. Refer to assembly illustration.
If problems cannot be corrected by using these methods, please contact the Customer Service Representative in your area using the contact information on our web site. Log onto www.weber.com®.		

MAINTENANCE

CLEANING

⚠ **WARNING:** Turn your Weber® gas barbecue off and wait for it to cool before cleaning.

⚠ **CAUTION:** Do not clean your Flavorizer® bars or cooking grates in a self-cleaning oven.

Outside surfaces - Use a warm soapy water solution to clean, then rinse with water.

⚠ **CAUTION:** Do not use oven cleaner, abrasive cleansers (kitchen cleansers), cleaners that contain citrus products, or abrasive cleaning pads on barbecue or cart surfaces.

Slide out grease tray - Remove excess grease, wash with warm soapy water, then rinse.

⚠ **CAUTION:** Do not line the slide out grease tray with aluminum foil.

Flavorizer® bars and cooking grates - Clean with a suitable stainless steel bristle brush. As needed, remove from grill and wash with warm soapy water, then rinse with water.

For availability of replacement cooking grates and Flavorizer® bars contact the Customer Service Representative in your area using the contact information on our website. Log onto www.weber.com®.

Catch pan - Disposable foil trays are available, or you can line the catch pan with aluminum foil. To clean the catch pan, wash with warm soapy water, then rinse.

Thermometer - Wipe with warm soapy water; clean with plastic scrub ball.

Cookbox - Brush any debris off of burner tubes. DO NOT ENLARGE BURNER PORTS (OPENINGS). Wash inside of cookbox with warm soapy water and a water rinse.

Inside lid - While lid is warm, wipe inside with paper towel to prevent lid grease build-up. Flaking built-up grease resembles paint flakes.

Stainless steel surfaces - Wash with a soft cloth and a soap and water solution. Be careful to scrub with the grain direction of the stainless steel.

Do not use cleaners that contain acid, mineral spirits or xylene. Rinse well after cleaning.

Preserve your stainless steel - Your grill or its cabinet, lid, and control panel may be made from stainless steel. To keep the stainless steel looking its best is a simple matter. Clean it with soap and water, rinse with clear water and wipe dry. For stubborn particles, the use of a non-metallic brush can be used.

⚠ **IMPORTANT:** Do not use a wire brush or abrasive cleaners on the stainless steel surfaces of your grill as this will cause scratches.

⚠ **IMPORTANT:** When cleaning surfaces be sure to rub/wipe in the direction of the grain to preserve the look of your stainless steel. ♦

WEBER® SPIDER/INSECT SCREENS

Your Weber® gas barbecue, as well as any outdoor gas appliance, is a target for spiders and other insects. They can nest in the venturi section (1) of the burner tubes. This blocks the normal gas flow, and can cause the gas to flow back out of the combustion air opening. This could result in a fire in and around the combustion air openings, under the control panel, causing serious damage to your barbecue.

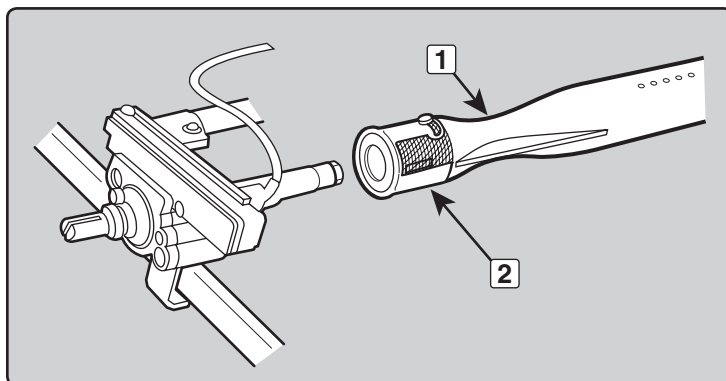
The burner tube combustion air opening is fitted with a stainless steel screen (2) to prevent spiders and other insects access to the burner tubes through the combustion air openings.

We recommend that you inspect the Spider/Insect screens at least once a year. (Refer to "ANNUAL MAINTENANCE") Also inspect and clean the the Spider/Insect screens if any of the following symptoms should ever occur:

- A) The smell of gas in conjunction with the burner flames appearing yellow and lazy.
- B) Barbecue does not reach temperature.
- C) Barbecue heats unevenly.
- D) One or more of the burners do not ignite.

⚠ DANGER

Failure to correct the above mentioned symptoms may result in a fire, which can cause serious bodily injury or death, and cause damage to property. ♦



BURNER TUBE CLEANING

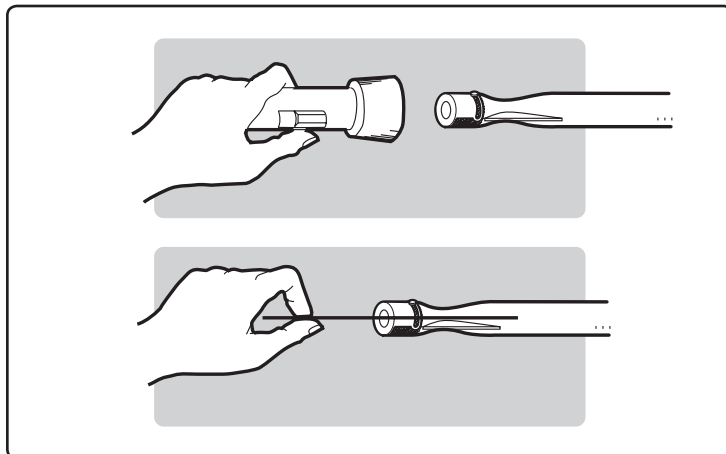
Turn off the gas supply.

Remove the manifold (Refer to "REPLACING MAIN BURNERS").

Look inside each burner with a flashlight.

Clean the inside of the burners with a wire (a straightened-out coat hanger will work). Check and clean the air shutter opening at the ends of the burners. Check and clean the valve orifices at the base of the valves. Use a steel bristle brush to clean outside of burners. This is to make sure all the burner ports are fully open.

⚠ **CAUTION:** Do not enlarge the burner ports when cleaning. ♦



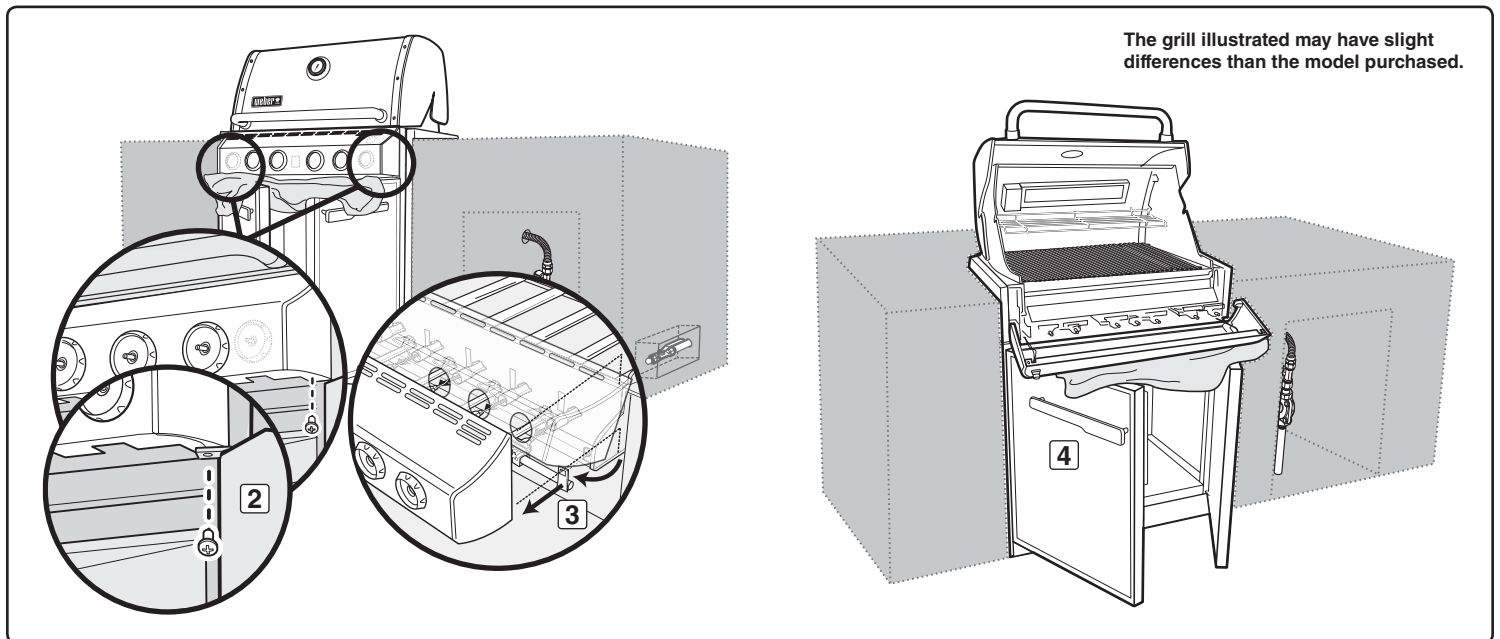
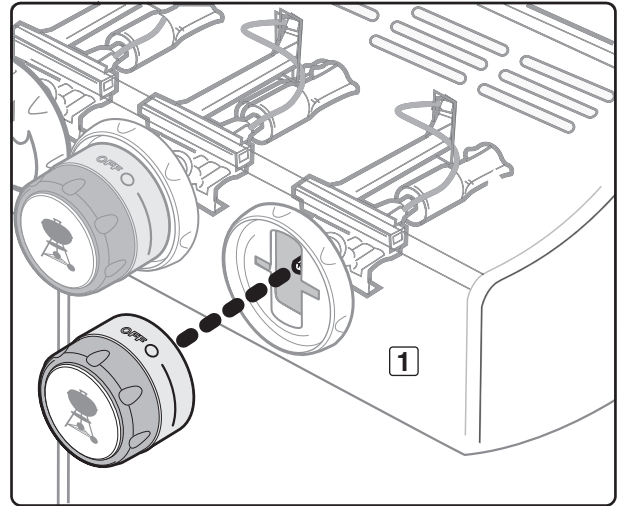
MAINTENANCE

REPLACING MAIN BURNERS

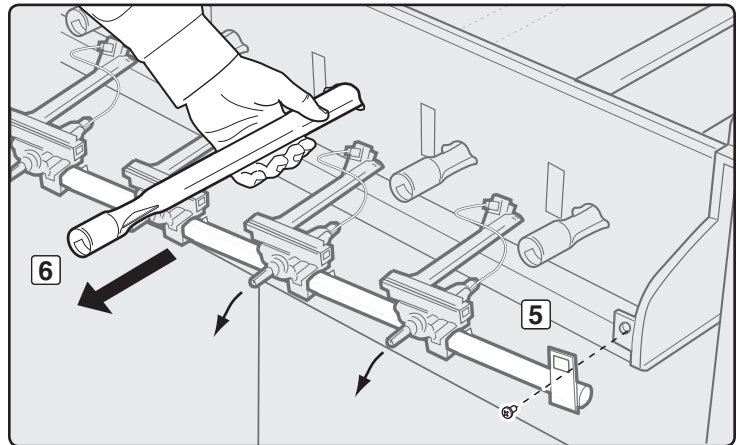
- A) Your Summit® gas grill must be off and cool.
- B) Turn gas off at source.
- C) Disconnect gas supply.
- D) Remove cooking grates.
- E) Remove Flavorizer® bars.
- F) Remove smoker box (if included in your model).

Remove Control Panel

- A) Parts required: Phillips screwdriver and a towel.
 - a) Remove the burner control knobs (1).
 - b) Open both doors and place a towel on top of the doors. **This will protect the control panel and tops of the doors from getting scratched on the next step.**
 - c) Remove the screws from the underside of the control panel with a Phillips screwdriver (2).
 - d) Tilt the control panel forward and lift up and away from the grill (3) (For Summit® models with LED features: Be careful not to break or disconnect the wires for the control panel LED's).
 - e) Place the control panel on the towel covering the door assemblies (4).



- B) Remove the two screws that secure the manifold to the cookbox. Pull manifold assembly out from the manifold frame (5).
- C) Pull the selected burner(s) tube(s) from manifold frame and replace with a new burner tube (6).



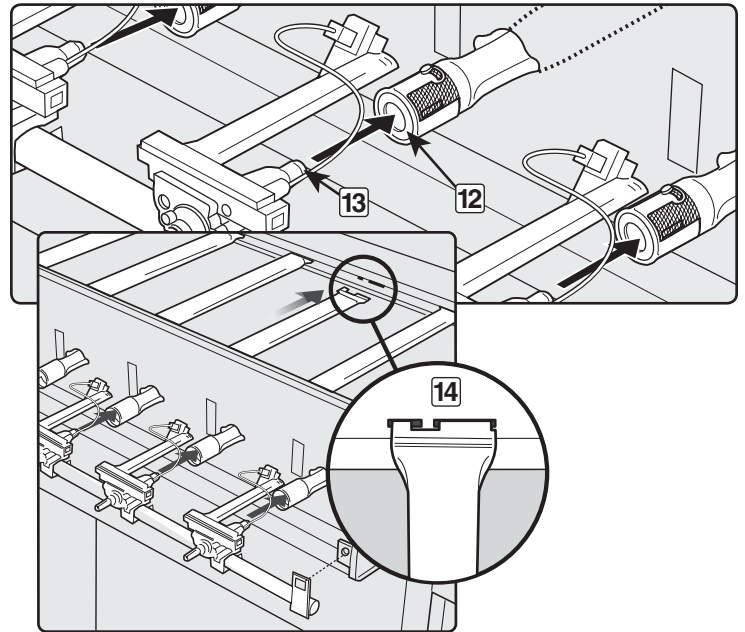
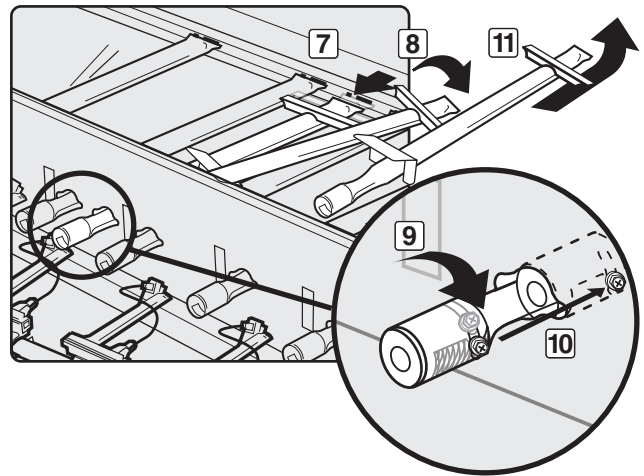
Removing The Sear Station® Burner

To remove the Sear Station Burner®, pull the burner tube toward you. This removes it from the burner tube notch (7). Then rotate the tube clockwise (8), taking care to rotate the burner tube so that the screw at the end of the tube (9) fits through the notch in the heat shield opening (10). When the burner tube is free, remove it from the firebox (11).

A) To reinstall the manifold assembly, reverse steps G through I.

⚠ **CAUTION:** The burner openings (12) must be positioned properly over the valve orifices (13). Make sure the opposite end of the burner tubes (14) properly align into the slots on the backside of the cookbox. Check proper assembly before fastening manifold in place.

⚠ **WARNING:** After reinstalling the gas lines, they should be leak checked with a soap and water solution before using the grill. (See “CHECK FOR GAS LEAKS”) ♦



ANNUAL MAINTENANCE

Inspection And Cleaning Of The Spider/Insect Screens

To inspect the Spider/Insect screens, remove the control panel. If there is dust or dirt on the screens, remove the burners for cleaning the screens.

Brush the Spider/Insect screens lightly with a soft bristle brush (i.e. an old toothbrush).

⚠ CAUTION: Do not clean the Spider/Insect screens with hard or sharp tools. Do not dislodge the Spider/Insect screens or enlarge the screen openings.

Lightly tap the burner to get debris and dirt out of the burner tube. Once the Spider/Insect screens and burners are clean, replace the burners.

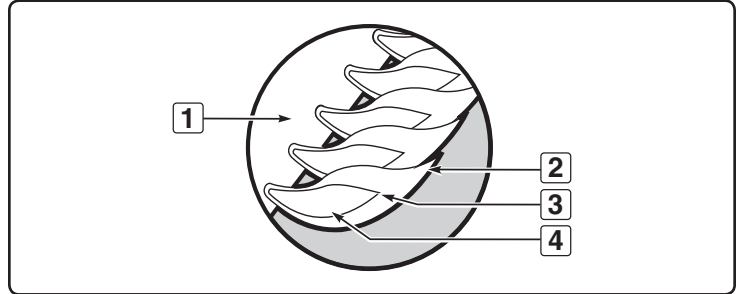
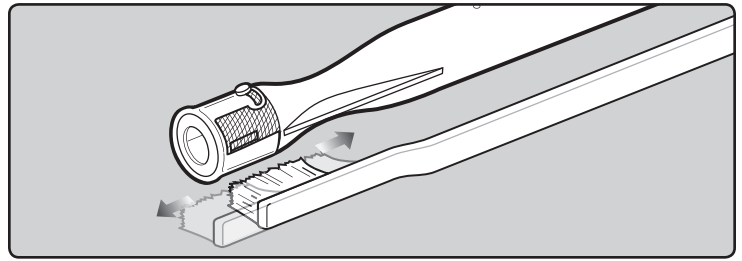
If the Spider/Insect screen becomes damaged or cannot be cleaned, please contact the Customer Service Representative in your area using the contact information on our web site. Log onto www.weber.com.

Burner Flame Pattern

The Weber® gas barbecue burners have been factory set for the correct air and gas mixture. The correct flame pattern is shown.

- A) Burner tube (1)
- B) Tips occasionally flicker yellow (2)
- C) Light blue (3)
- D) Dark blue (4)

If the flames do not appear to be uniform throughout the burner tube, follow the burner cleaning procedures. ♦



SUMMIT®



BARBACOA DE GAS

Guía del propietario de la barbacoa empotrada de gas natural

460 - NG

#56576



DEBE LEER ESTA GUÍA DEL PROPIETARIO ANTES DE PONER A FUNCIONAR LA BARBACOA DE GAS.

⚠ PELIGRO

Si huele a gas:

1. Cierre el suministro de gas al artefacto.
2. Apague todas las flamas cerrando la valvula general de paso.
3. Abra la tapa.
4. Llame inmediatamente a la central de fugas o a su proveedor de gas.

Una fuga de gas puede provocar un incendio o explosión que puede resultar en lesiones corporales serias o la muerte, o daños a la propiedad.

⚠ ADVERTENCIA

1. No almacene gasolina u otros fluidos inflamables en la cercanía de su aparato.
2. Ningún cilindro de propano licuado que no esté conectado para su uso deberá almacenarse cerca de éste o cualquier otro artefacto doméstico.

⚠ **ADVERTENCIA:** Antes de poner a funcionar la asador, siga cuidadosamente todos los procedimientos en este manual para verificar que no existan fugas. Haga esto aun y cuando la asador haya sido ensamblada por el distribuidor.

AVISO AL INSTALADOR:

Estas instrucciones deben permanecer con el propietario, quien las deberá guardar para un futuro uso.

ESTE ARTEFACTO A GAS ESTÁ DISEÑADO PARA USARSE SOLAMENTE AL AIRE LIBRE.

⚠ **ADVERTENCIA:** No encienda este artefacto sin primero leer las secciones de **ENCENDIDO DEL QUEMADOR** de este manual.



56576

ESNA - SPANISH NORTH AMERICA

ADVERTENCIAS

⚠ PELIGRO

El hacer caso omiso de los avisos de peligros, advertencias y precauciones contenidos en este Manual del Propietario pudiera resultar en lesiones corporales serias o la muerte, o en un fuego o explosión que cause daños a la propiedad.

⚠ ADVERTENCIAS

- ⚠ No almacene un tanque de propano licuado desconectado o de repuesto debajo o cerca de este asador.
- ⚠ El ensamblaje incorrecto puede ser peligroso. Por favor siga cuidadosamente las instrucciones de ensamblaje.
- ⚠ Tras haber estado guardada o sin uso por algún tiempo, antes de usar la barbacoa de gas Weber® verifique que no existan fugas de gas o obstrucciones en el quemador. Vea en este manual las instrucciones para los procedimientos correctos.
- ⚠ No opere la barbacoa de gas Weber® si existe una fuga de gas.
- ⚠ No utilice una llama abierta para comprobar la existencia de fugas de gas.
- ⚠ Nunca debe haber materiales combustibles a una distancia menor de 24 pulgadas (60 cm) de la parte superior, inferior, trasera o lateral de su asador de gas Weber®.
- ⚠ No coloque una funda para barbacoas ni cualquier otro artículo inflamable sobre o dentro del área de almacenaje ubicada debajo del asador.
- ⚠ Nunca permita que los niños usen la barbacoa de gas Weber®. Algunas partes accesibles de la barbacoa pudieran estar muy calientes. Mantenga alejados a los niños pequeños mientras ésta se esté usando.
- ⚠ Usted debe proceder con razonable cuidado al usar su barbacoa de gas Weber®. Ésta estará caliente al cocinarse en ella o al limpiarla, y nunca deberá dejarse desatendida o moverse mientras esté funcionando.
- ⚠ Si llegasen a apagarse los quemadores, cierre todas las válvulas de gas. Abra la tapa y espere cinco minutos antes de tratar de volver a encender la barbacoa, usando las instrucciones de encendido en este manual.
- ⚠ No use carbón o piedra pómez en su barbacoa de gas Weber®.
- ⚠ No se incline sobre la barbacoa abierta o coloque las manos o dedos en el borde delantero de la caja de cocción.
- ⚠ Si la grasa llegase a agarrar fuego, apague todos los quemadores y mantenga la tapa cerrada hasta que se haya apagado el fuego.
- ⚠ Al limpiar las válvulas o los quemadores, no ensanche los orificios de las válvulas o las aberturas de los quemadores.
- ⚠ La barbacoa de gas Weber® deberá limpiarse a fondo regularmente.

- ⚠ El propano licuado no es gas natural. El uso de gas natural en una unidad de propano licuado o viceversa, propano licuado en una de gas natural, es peligroso y anulará su garantía.
- ⚠ Mientras opere la barbacoa, utilice guantes resistentes al calor.
- ⚠ Mantenga alejados de todas las superficies calientes a todo cordón eléctrico y a la manguera de suministro de combustible.
- ⚠ Los subproductos de la combustión producidos al usar este producto contienen sustancias químicas que son conocidas por el Estado de la California como causantes de cáncer, defectos de nacimiento, u otros daños reproductivos.
- ⚠ No use esta barbacoa a menos que todas sus partes estén colocadas en su sitio. La unidad debe ensamblarse correctamente de acuerdo con las instrucciones de ensamblaje.
- ⚠ Propuesta 65 Advertencia: El manipular los materiales de latón en este producto lo exponen al plomo, una sustancia química conocida por el estado de California como causante de cáncer, de defectos de nacimiento o de otros daños reproductivos.
(Lávese las manos después de manipular este producto.)

ÚNICAMENTE UNIDADES DE GAS PROPANO LICUADO

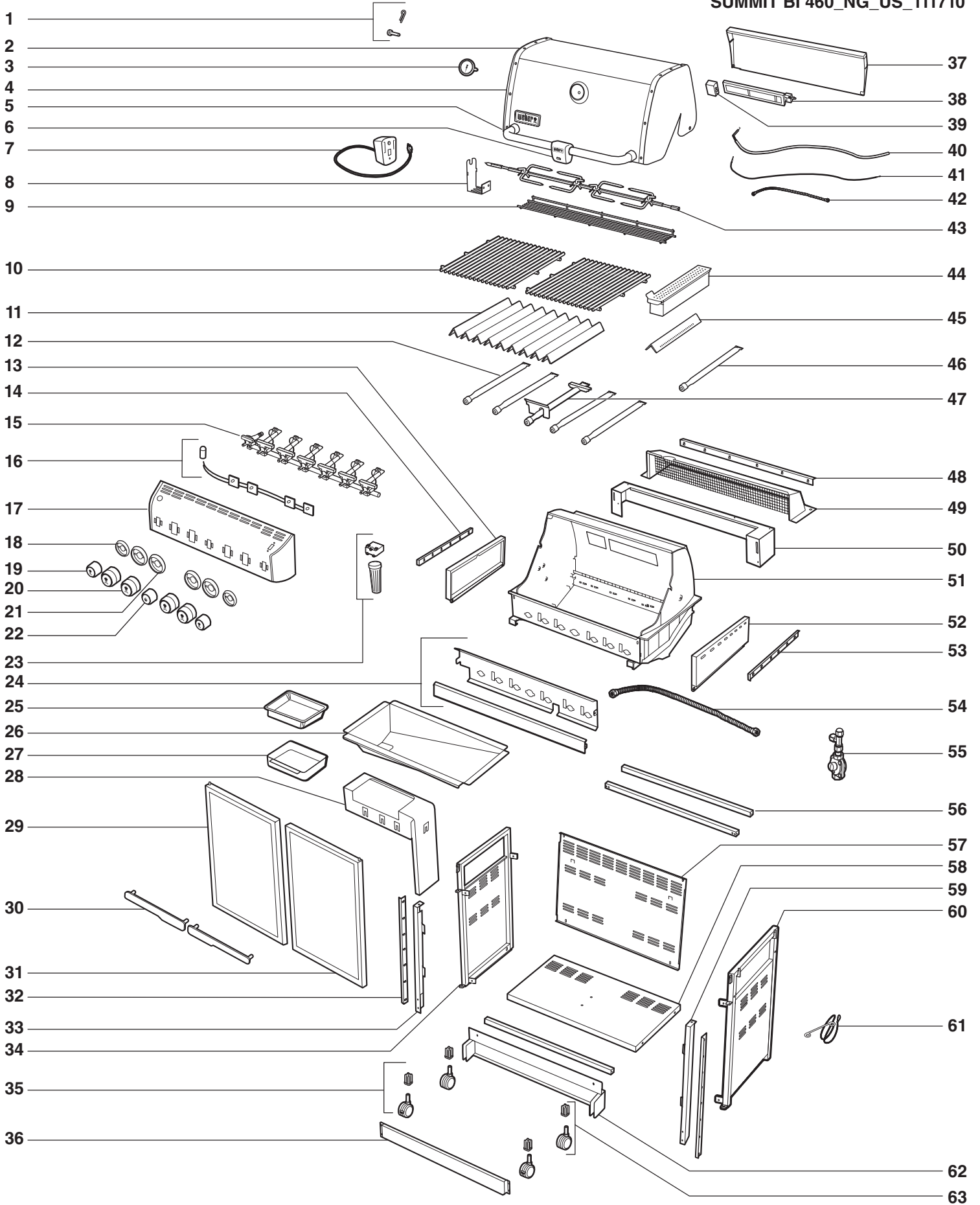
- ⚠ Use el regulador que se suministra con la barbacoa de gas Weber®.
- ⚠ No trate de desconectar el regulador de gas o ninguna conexión de gas mientras esté funcionando la barbacoa.
- ⚠ Un cilindro de propano licuado abollado u oxidado pudiera ser peligroso y deberá ser revisado por su suplidor de propano licuado. No utilice ningún cilindro de propano licuado con una válvula dañada.
- ⚠ Aunque el cilindro de propano licuado pudiera aparentar estar vacío, algo de gas pudiera aún estar presente, por lo que el cilindro deberá transportarse y almacenarse tomando esta posibilidad en consideración.
- ⚠ Si usted ve, huele o escucha el silbido de un escape de gas del cilindro de propano licuado:
 1. Apártese del cilindro de propano licuado.
 2. No trate de corregir el problema usted mismo.
 3. Llame al cuerpo de bomberos local. ♦

ÍNDICE

ADVERTENCIAS	34	ENCENDIDO Y USO DE LA ESTACIÓN DE DORADO®	50
ÍNDICE	35	ENCENDIDO DE LA ESTACIÓN DE DORADO SEAR STATION®.....	50
DIAGRAMA DE DESPIECE	36	PARA APAGAR.....	50
LISTA DEL DIAGRAMA DE DESPIECE	37	ENCENDIDO MANUAL DEL QUEMADOR DEL ESTACIÓN DE DORADO SEAR STATION®.....	51
GARANTÍA	38	PARA APAGAR.....	51
INSTRUCCIONES GENERALES	39	CÓMO USAR LA ESTACIÓN PARA DORAR SEAR STATION®.....	51
INSTALACIÓN CANADIENSE	39	ENCENDIDO Y USO DEL QUEMADOR DEL AHUMADOR	52
ALMACENAJE Y/O FALTA DE USO.....	39	ENCENDIDO DEL QUEMADOR DEL AHUMADOR	52
OPERACIÓN	39	PARA APAGAR.....	52
PRUEBAS AL SUMINISTRO DE GAS.....	39	ENCENDIDO MANUAL DEL QUEMADOR DEL AHUMADOR	53
NOTA: SI USTED HA COMPRADO UN QUEMADOR LATERAL	39	PARA APAGAR.....	53
INSTRUCCIONES SOBRE EL GAS	40	CÓMO USAR EL AHUMADOR	54
INSTALAR SUMINISTRO DE GAS	40	LIMPIEZA DEL AHUMADOR.....	54
TIPO DE GAS	41	ENCENDIDO Y USO DEL QUEMADOR DEL ASADOR GIRATORIO	55
¿QUÉ ES EL GAS NATURAL?	41	ENCENDIDO DEL QUEMADOR DEL ASADOR GIRATORIO	55
PREPARATIVOS PARA LA BÚSQUEDA DE FUGAS	41	PARA APAGAR.....	55
DETECCIÓN DE FUGAS DE GAS	42	ENCENDIDO MANUAL DEL QUEMADOR DEL ASADOR GIRATORIO	56
ILUMINACIÓN	44	PARA APAGAR.....	56
LÁMPARA DEL ASA WEBER® GRILL OUT™	44	MEDIDAS PREVENTIVAS IMPORTANTES.....	57
PERILLAS DE CONTROL ILUMINADAS.....	44	OPERACIÓN DEL ASADOR GIRATORIO	57
ANTES DE UTILIZAR LA BARBACOA	44	COCCIÓN CON EL ASADOR GIRATORIO	58
BANDEJA CORREDIZA RECOLECTORA DE GRASA Y BANDEJA DESECHABLE DE GOTEO.....	44	ALMACENAJE DE LA HORQUILLA DEL ASADOR GIRATORIO	58
OPERACIÓN DEL ENCENDIDO DE CHASQUIDO	45	RESOLUCIÓN DE PROBLEMAS	59
ENCENDIDO Y USO DEL QUEMADOR PRINCIPAL	46	RESOLUCIÓN DE PROBLEMAS DE LA ESTACIÓN DE DORADO®	60
ENCENDIDO DEL QUEMADOR PRINCIPAL	46	RESOLUCIÓN DE PROBLEMAS DEL ASADOR GIRATORIO	60
PARA APAGAR.....	46	RESOLUCIÓN DE PROBLEMAS DE LA LUZ DEL ASA GRILL OUT™	60
ENCENDIDO MANUAL DEL QUEMADOR PRINCIPAL	47	MANTENIMIENTO	61
PARA APAGAR.....	47	LIMPIEZA.....	61
CONSEJOS PRÁCTICOS PARA ASAR	48	MALLAS WEBER® CONTRA ARAÑAS E INSECTOS	61
PRECALENTADO	48	LIMPIEZA DE TUBO DE QUEMADOR	61
COCCIÓN CUBIERTA	48	REEMPLAZO DE LOS QUEMADORES PRINCIPALES	62
PRINGUES Y GRASA	48	MANTENIMIENTO ANUAL.....	64
EL SISTEMA FLAVORIZER®.....	48		
ESTACIÓN DE DORADO SEAR STATION®.....	48		
MÉTODOS DE COCCIÓN	49		
COCCIÓN DIRECTA	49		
COCCIÓN INDIRECTA	49		

DIAGRAMA DE DESPIECE

SUMMIT BI 460_NG_US_111710



LISTA DEL DIAGRAMA DE DESPIECE

- | | | |
|--|--|---|
| 1. Accesorios de la cubierta | 23. Compartimiento de las baterías | 44. Caja del ahumador |
| 2. Cubierta | 24. Reflector de agua / Pantalla térmica | 45. Barra del ahumador |
| 3. Termómetro | 25. Bandeja de goteo desechable | 46. Quemador del ahumador |
| 4. Moldura decorativa del termómetro | 26. Bandeja deslizante de grasa | 47. Quemador de la estación de dorado Sear Station® |
| 5. Asa | 27. Plato recolector | 48. Tira de relleno posterior |
| 6. Lámpara de asa GrillOut™ | 28. Soporte del plato recolector | 49. Respiradero posterior |
| 7. Motor del asador | 29. Puerta izquierda | 50. Soporte del respiradero posterior |
| 8. Soporte del asador giratorio | 30. Asas de las puertas | 51. Caja de cocción |
| 9. Rejilla para calentar | 31. Puerta derecha | 52. Respiradero del lado derecho |
| 10. Parrillas de cocción | 32. Tira de relleno derecha | 53. Tira de relleno derecha |
| 11. Barras Flavorizer® | 33. Pieza de guarnición izquierda | 54. Manguera del múltiple |
| 12. Tubos quemadores | 34. Panel izquierdo del bastidor | 55. Tabique divisorio |
| 13. Respiradero del lado izquierdo | 35. Rueda giratoria con bloqueo | 56. Soporte del bastidor |
| 14. Tira de relleno izquierda | 36. Panel de alineación de las ruedas delanteras | 57. Panel trasero |
| 15. Múltiple | 37. Tapa del quemador infrarrojo | 58. Panel inferior |
| 16. Cableado prefabricado del panel de control | 38. Quemador infrarrojo | 59. Pieza de guarnición derecha |
| 17. Tablero de control | 39. Caja del quemador infrarrojo | 60. Panel derecho del bastidor |
| 18. Moldura decorativa de la perilla pequeña | 40. Cable de encendido del quemador infrarrojo | 61. Portacerillos |
| 19. Perilla pequeña | 41. Termopar | 62. Panel de alineación de las ruedas posteriores |
| 20. Perilla grande | 42. Manguera del quemador infrarrojo | 63. Rueda giratoria |
| 21. Moldura decorativa de la perilla grande | 43. Ensamble del espetón del asador giratorio | |
| 22. Perilla de la estación de dorado Sear Station® | | |

GARANTÍA

Weber-Stephen Products Co., (Weber) mediante la presente le garantiza al COMPRADOR ORIGINAL de esta barbacoa de gas Weber® que la misma estará libre de defectos en cuanto a materiales y fabricación a partir de la fecha de compra según lo siguiente:

Piezas coladas de aluminio:	25-años (2 años para la pintura excluyendo la decoloración)
Cubierta de acero inoxidable:	25-años
Cubierta porcelanizada:	25-años
Tubos de acero inoxidable de los quemadores:	10-años
Parrillas de cocción de acero inoxidable:	5-años sin perforación por fuego u oxidación
Barras Flavorizer® de acero inoxidable:	5-años sin perforación por fuego u oxidación
Parrillas de cocción de hierro colado porcelanizado:	5-años sin perforación por fuego u oxidación
Parrillas de cocción porcelanizadas:	3-años sin perforación por fuego u oxidación
Barras Flavorizer® porcelanizadas:	2-años sin perforación por fuego u oxidación
Quemador infrarrojo del asador giratorio:	2-años
Todas la demás partes:	2-años

cuando se ensambla y opera de acuerdo a las instrucciones impresas que la acompañan. Weber pudiese requerir prueba razonable de la fecha de compra. POR LO TANTO, DEBERÁ GUARDAR SU RECIBO O FACTURA DE VENTA.

Esta garantía limitada está limitada a la reparación o reemplazo de piezas que resultasen defectuosas bajo uso y servicio normal y las cuales al examinarse indiquen, a plena satisfacción de Weber, que efectivamente son piezas defectuosas. Antes de devolver cualquier parte, contacte al Representante de Atención al Cliente en su área, cuya información de contacto la encontrará en nuestro sitio web. Si Weber confirma el defecto y aprueba el reclamo, ésta elegirá reparar o reemplazar tal pieza sin cargo alguno. Si usted tiene que retornarnos las partes defectuosas, los gastos de transporte deben ser prepagados. Weber retornará las partes al comprador con transporte o franqueo prepago.

Esta Garantía Limitada no cubre ninguna falla o problema de operación a causa de accidentes, abuso, mal uso, alteración, uso en aplicaciones indebidas, vandalismo, instalación inapropiada o mantenimiento o servicio inapropiados, o por no llevar a cabo el mantenimiento normal y rutinario, entre los que se incluyen, pero sin limitación, los daños causados por insectos dentro de los tubos quemadores, según se detalla en este manual del propietario.

Esta Garantía Limitada no cubre el deterioro o daños a causa de condiciones de tiempo inclemente tales como granizo, huracanes, terremotos o tornados ni tampoco la decoloración por exposición a sustancias químicas bien sea por contacto directo o por que las mismas contenidas en la atmósfera.

No existe ninguna otra garantía expresa que no sean las acá indicadas y cualesquier garantías implícitas de comerciabilidad y aptitud de uso están limitadas en duración al tiempo de cobertura de esta expresa Garantía Limitada por escrito. Algunas regiones no permiten limitación alguna en el tiempo que una garantía implícita pueda durar, por lo que esta limitación pudiera no aplicarle a usted.

Weber no se hace responsable de cualesquier daños especiales, indirectos o emergentes. Algunas regiones no permiten la exclusión o limitación de daños incidentales o emergentes, por lo que esta limitación o exclusión pudieran no aplicarle a usted.

Weber no autoriza a persona o empresa alguna a asumir en su nombre ninguna obligación o responsabilidad en relación con la venta, instalación, uso, retiro, devolución o reemplazo de sus equipos, y ninguna tal representación será vinculante para Weber.

Esta Garantía aplica solo a aquellos productos vendidos al por menor.

WEBER-STEPHEN PRODUCTS CO.

Customer Service Center
1890 Roselle Road, Suite 308
Schaumburg, IL 60195
USA

Para partes de repuesto llame a:
1-800-446-1071
www.weber.com

Para compras hechas en México
WEBER-STEPHEN PRODUCTS S.A. de C.V.
Marcella No. 338,
Colonia Americana
44160 México, C.P.
México

Para partes de repuesto llame a:
(52) (33) 3615-0736
www.weber.com

Visite www.weber.com, seleccione su país de origen y registre su barbacoa hoy. ♦

INSTRUCCIONES GENERALES

Con la barbacoa de gas Weber® usted puede asar de manera convencional, a la barbacoa, y al horno con unos resultados que son difíciles de duplicar con los artefactos de cocina de la casa. La tapa cerrada y las barras Flavorizer® le dan a la comida ese sabor a "aire libre".

El suministro de gas natural es fácil de usar y le da a usted más control al cocinar que el combustible de carbón.

- Estas instrucciones le indicarán los requisitos mínimos para ensamblar la barbacoa de gas Weber®. Lea cuidadosamente las instrucciones antes de utilizar la barbacoa de gas Weber®. Un ensamblaje incorrecto puede ser peligroso.
- No debe ser usada por niños.
- Si existiesen códigos locales que aplicasen para barbacoas de gas portátiles, deberá acatarlos. La instalación debe acatar los códigos locales o, en ausencia de los mismos, o bien el "National Fuel Gas Code ANSI Z223.1/NFPA 54", o el código "Natural Gas and Propane Installation Code, CSA B149.1", o el código "Propane Storage and Handling Code, B149.2", o las normas "Standard for Recreational Vehicles, ANSI A 119.2/NFPA 1192", y "CSA Z240 RV Series, Recreational Vehicle Code", según aplique.
- Esta barbacoa de gas Weber® está diseñada para ser usada exclusivamente con gas natural (distribuido por tubería en las ciudades). No use gas propano licuado embotellado. Las válvulas, los orificios, la manguera y regulador son solamente para gas natural.
- No la use con carbón como combustible.
- Asegúrese de que el área debajo del panel de control y la bandeja recolectora de grasa no tenga desechos que pudieran obstruir el flujo de aire de combustión o de ventilación. ♦

INSTALACIÓN CANADIENSE

Esta instrucciones, aunque de manera general son aceptables, no necesariamente cumplen con los códigos de instalación canadienses, en particular en lo que respecta a tuberías bajo y sobre tierra. En Canadá la instalación de este artefacto debe cumplir con los códigos locales y/o la Norma CAN/CGA-B149.1 (Código de instalación de artefactos y equipos que queman gas natural). ♦

ALMACENAJE Y/O FALTA DE USO

- Cuando la barbacoa de gas Weber® no esté usándose, el suministro de gas natural debe cerrarse a nivel de la tubería de gas.
- Se debe desconectar el suministro de gas al guardar bajo techo la barbacoa de gas Weber®.
- Antes de usarla, se deberá verificar que la barbacoa de gas Weber® no tenga fugas de gas como tampoco obstrucciones en los tubos de los quemadores. (Consulte: "MANTENIMIENTO/MANTENIMIENTO ANUAL").
- Asegúrese de que el área debajo del panel de control y la bandeja recolectora de grasa extraíble no tengan desechos que pudiesen obstruir el flujo de aire de combustión o de ventilación.
- También deberá revisar que la malla contra arañas/insectos no esté obstruida. (Consulte: "MANTENIMIENTO/MANTENIMIENTO ANUAL"). ♦

OPERACIÓN

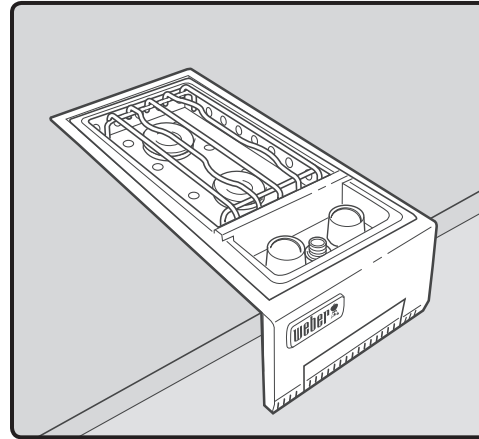
- ⚠ **ADVERTENCIA:** Sólo use esta barbacoa al aire libre en una zona bien ventilada. No la utilice en un garaje, edificio, pasadizo techado o en cualquier otra área cerrada.
- ⚠ **ADVERTENCIA:** La barbacoa de gas Weber® no deberá usarse debajo de una construcción combustible.
- ⚠ **ADVERTENCIA:** La barbacoa de gas Weber® no ha sido diseñada para instalarse en o sobre vehículos o botes recreativos.
- ⚠ **ADVERTENCIA:** No utilice la barbacoa a menos de 24 pulgadas (61 cm) de distancia de materiales combustibles. Esto incluye las partes superiores, inferiores, posteriores y laterales de la barbacoa.
- ⚠ **ADVERTENCIA:** La caja de cocción entera se calienta al usarse. No la deje desatendida.
- ⚠ **ADVERTENCIA:** Mantenga cualquier cordón eléctrico y la manguera de suministro de gas alejados de toda superficie caliente.
- ⚠ **ADVERTENCIA:** Mantenga el área de cocinar libre de vapores y líquidos inflamables tales como gasolina, alcohol, etc. y de materiales combustibles. ♦

PRUEBAS AL SUMINISTRO DE GAS

- Desconecte la barbacoa de gas Weber® cuando se esté probando a altas presiones el sistema de suministro de gas. Este artefacto y su válvula de paso propia deberán desconectarse de la tubería de suministro de gas durante cualquier prueba de presión de dicho sistema a presiones de prueba en exceso de 1/2 psig (3,5 kPa).
- Apague la barbacoa de gas Weber® cuando se esté probando a bajas presiones el sistema de suministro de gas. Durante cualquier prueba a presión del sistema de suministro por tubería a una presión igual o menor a 1/2 psig (3,5 kPa), este artefacto deberá aislarse de dicho sistema de suministro cerrando su válvula de paso manual propia. ♦

NOTA: SI USTED HA COMPRADO UN QUEMADOR LATERAL

Si usted ha comprado un Quemador Lateral accesorio con la barbacoa de gas Summit®, Weber® le recomienda que lea la GUÍA DEL PROPIETARIO/DE INSTALACIÓN DEL QUEMADOR LATERAL SUMMIT® antes de diseñar su estructura de 'isla'. ♦



INSTRUCCIONES SOBRE EL GAS

INSTALAR SUMINISTRO DE GAS

Especificaciones generales para la tubería

Nota: Póngase en contacto con la municipalidad de la localidad para obtener los códigos de construcción que regulan las instalaciones de las barbacoas a gas al aire libre. Si no existiesen códigos locales, usted deberá cumplir con la más reciente edición del Código Nacional de Gas Combustible: ANSI Z 223.1/NFPA 54, o el CAN/CGA-B149.1, Natural Gas and Propane Installation Code. RECOMENDAMOS QUE ESTA INSTALACIÓN SEA REALIZADA POR UN PROFESIONAL.

Algunos de los siguientes son requisitos generales tomados de la más reciente edición del Código Nacional de Gas Combustible. ANSI Z 223.1/NFPA 54, o el CAN/CGA-B149.1, Natural Gas and Propane Installation Code.

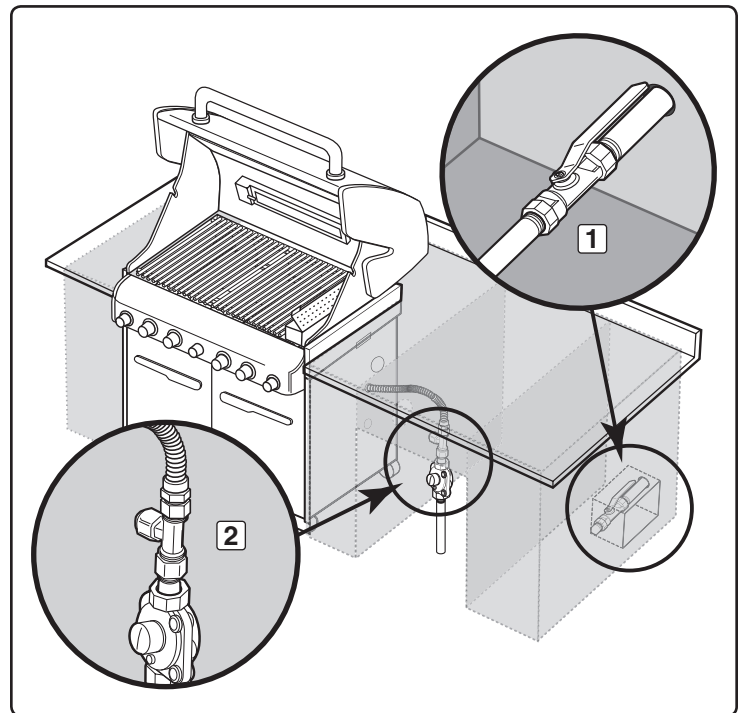
- Esta barbacoa está diseñada para operar bajo una presión de 4,5 pulgadas de columna de agua. (0,163 psi).
- Una válvula de cierre manual debe instalarse en una ubicación accesible al aire libre y no en la estructura "empotrada" (1).
- Una válvula de cierre adicional bajo techo deberá instalarse en la línea auxiliar de gas combustible en una ubicación accesible cerca de la línea de suministro.
- Las tapas antipolvo (los tapones de plástico suministrados) ayudan a mantener limpios los extremos abiertos del desconectador rápido mientras está desconectado.
- Se deberá utilizar un compuesto para el pegado de tuberías que sea resistente a la acción del gas natural cuando se haga la conexión al gas.
- Las conexiones de gas deben fijarse firmemente a elementos de construcción rígidos y permanentes. (2)

Tubería de la línea de gas

- Si la longitud de la línea requerida no excede los 50 pies, utilice un tubo de 5/8" de diámetro externo. Se deberá usar el siguiente tamaño mayor para longitudes superiores a los 50 pies.
- La tubería de gas deberá ser de tubo de cobre, tipo K o L; tubo plástico de polietileno, con un espesor de pared de por lo menos 0.062 pulgadas; o tubería de peso estándar (cédula 40) de acero o de hierro dulce.
- Los tubos de cobre deberán estar revestidos de estaño si el gas contiene más de 0.3 gramos de sulfuro de hidrógeno por 100 pies cúbicos de gas.
- La tubería de plástico es sólo apta para uso subterráneo en exteriores.
- La tubería de gas en contacto con la tierra, o cualquier otro material que pudiera corroerla, debe estar protegida contra la corrosión de una manera aprobada.
- Las tuberías bajo tierra deberán tener una cubierta mínima de 18"

Pruebe las conexiones

Para asegurarse de que no tengan fugas, todas las conexiones y uniones deben ser probadas a fondo de acuerdo con los códigos locales y los procedimientos indicados en la edición más reciente del Código Nacional de Gas Combustible. ANSI Z 223.1/NFPA 54, o CAN/CGA-B149.1



⚠ PELIGRO

No utilice una llama abierta para comprobar si existen fugas de gas. Asegúrese de que no haya chispas o llamas abiertas en el área mientras comprueba si existen fugas. Esto resultará en un fuego o explosión, que pueden causar serias lesiones corporales o la muerte, y daños materiales. ♦

INSTRUCCIONES SOBRE EL GAS

TIPO DE GAS

Su barbacoa de gas natural está construida de fábrica para operar solamente con gas natural. Nunca trate de operar la barbacoa con otros gases diferentes a los indicados en la placa de especificaciones de la misma.

Su barbacoa funciona a un presión de 4.5" de columna de agua. Si fuese necesario reemplazar la manguera, se requerirán partes especificadas por la fábrica. Consulte con su distribuidor local.

Por razones de seguridad y diseño, la conversión de una barbacoa Weber® que opera con gas natural a una que opere con gas propano licuado requiere cambiar la totalidad del sistema de suministro de gas de la misma. Si esto fuese necesario, consulte a su distribuidor para mayor información. ♦

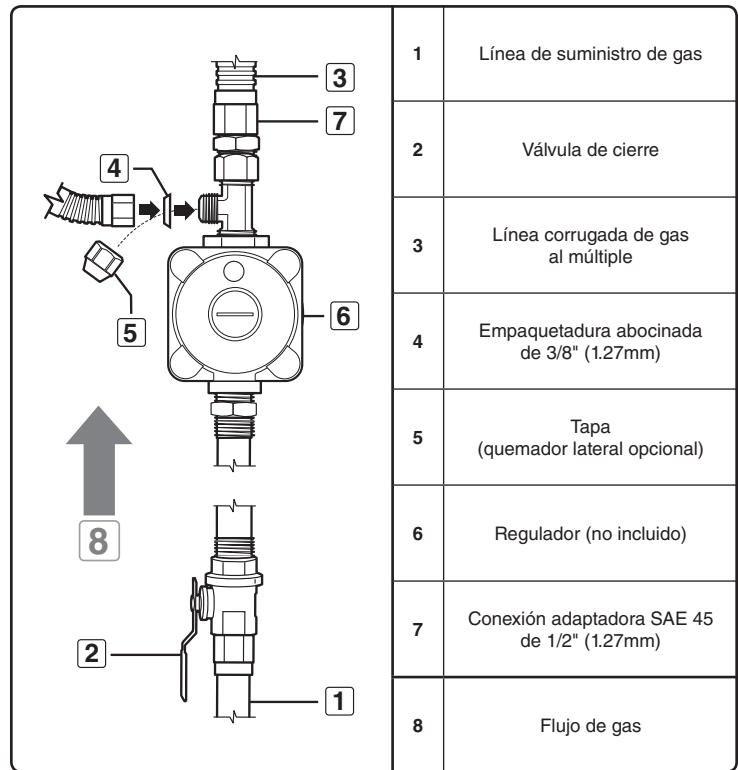
¿QUÉ ES EL GAS NATURAL?

El gas natural, a menudo denominado metano, es un combustible moderno seguro. El gas natural es suministrado por empresas de servicio público y debería tenerlo disponible si la calefacción de su casa funciona con gas. ♦

PREPARATIVOS PARA LA BÚSQUEDA DE FUGAS

Verifique que todas las válvulas de los quemadores estén cerradas

Las válvulas son despachadas de fábrica en la posición "OFF" (cerradas), pero usted debe verificarlo para asegurarse de que efectivamente estén cerradas. Verifíquelo presionándolas hacia abajo y girándolas hacia la derecha. Si no giran, están cerradas. Proceda al paso siguiente. Si sí girasen, continúe girándolas hacia la derecha hasta que paren; allí estarán cerradas. Proceda al paso siguiente. ♦



INSTRUCCIONES SOBRE EL GAS

⚠ ADVERTENCIA: Las conexiones de gas de su barbacoa de gas Summit® han sido probadas en la fábrica. Le recomendamos, sin embargo, que inspeccione todas las conexiones de gas antes de operar la barbacoa de gas Summit®.

Retire el panel de control

Partes requeridas: Destornillador Phillips y una toalla.

- Retire las perillas de control del quemador (1).
- Abra ambas puertas y coloque una toalla sobre la parte superior de las mismas. Esto evitará que el panel de control y las partes superiores de las puertas se rayen en el próximo paso.
- Con un destornillador Phillips, retire los tornillos del lado inferior del panel de control (2).
- Incline el panel de control hacia adelante y en dirección contraria a la barbacoa (3).
- Coloque el panel de control sobre la toalla que cubre los ensamblajes de la puertas (4). ♦

DETECCIÓN DE FUGAS DE GAS

⚠ PELIGRO

No utilice una llama abierta para comprobar si existen fugas de gas. Asegúrese de que no haya chispas o llamas abiertas en el área mientras comprueba si existen fugas. Chispas o llamas causarían un fuego o explosión, las cuales pueden causar graves lesiones corporales o la muerte, y daños materiales.

Nota: Todas las conexiones hechas en la fábrica han sido revisadas a fondo para asegurar que no existan fugas. Los quemadores han sido probados con las llamas encendidas. Como medida de precaución, sin embargo, usted deberá de volver a revisar todas las conexiones en busca de fugas antes de utilizar su barbacoa de gas Weber®. Durante el manejo y despacho puede haberse alojado o dañado alguna conexión de gas.

⚠ ADVERTENCIA: Las conexiones de gas de su barbacoa de gas han sido probadas en la fábrica. Le recomendamos que inspeccione todas las conexiones de gas antes de operar la barbacoa de gas.

⚠ ADVERTENCIA: Lleve a cabo estos chequeos de fugas aun y cuando su barbacoa haya sido ensamblada por el distribuidor o en la tienda donde la compró.

Si la barbacoa cuenta con un quemador lateral asegúrese de que éste esté apagado.

Abra el suministro de gas en la fuente del mismo.

⚠ ADVERTENCIA: No encienda los quemadores mientras esté verificando la existencia de fugas.

Usted necesitará: una solución de agua y jabón y un trapo o una brocha para aplicarla.

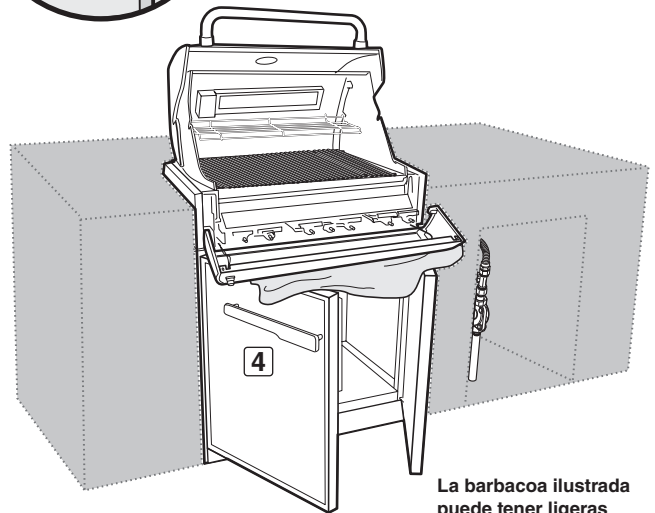
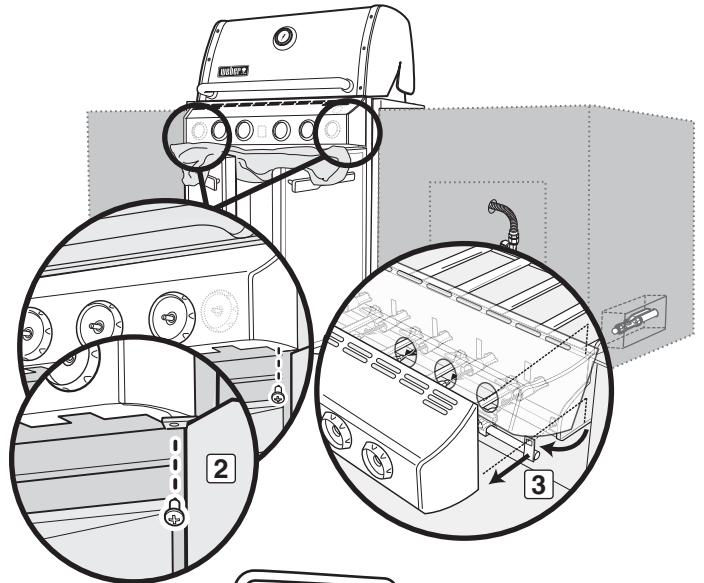
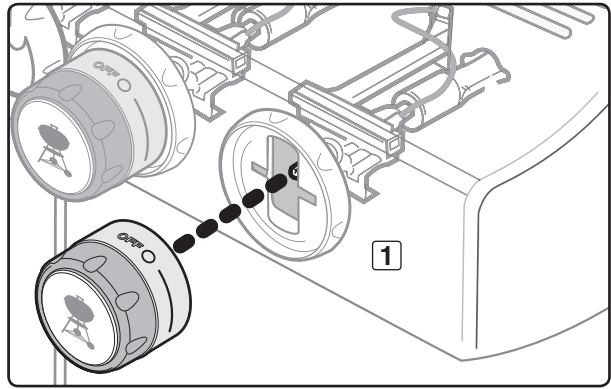
- Mezcle agua y jabón.
- Abra el suministro de gas (1).
- Compruebe la existencia de fugas mojando las conexiones con la solución de agua y jabón y viendo si se generan burbujas. Si se forman burbujas, o si una burbuja crece, es que hay una fuga.

Si hay una fuga, cierre el gas y apriete la conexión. Abra el gas de nuevo y con la solución de jabón y agua vuelva a verificar que no existan fugas. Si la fuga no cesa no utilice la barbacoa. Contacte al Representante de Servicios al Cliente en su área utilizando la información de contacto en nuestro sitio web. Conéctese a www.weber.com.

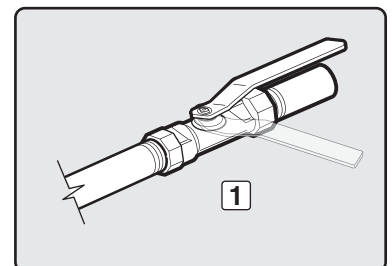
- Cuando se haya completado la comprobación de las fugas de gas, cierre el suministro de gas en la fuente y lave las conexiones con agua.

Nota: Dado que algunas soluciones para la detección de fugas, incluyendo el agua y jabón, pueden ser ligeramente corrosivas, todas las conexiones deberán enjuagarse con agua después de realizar la comprobación de las fugas.

⚠ ADVERTENCIA: Cada vez que conecte o desconecte una conexión de gas, deberá verificar que no hayan fugas de gas.



La barbacoa ilustrada puede tener ligeras diferencias con respecto al modelo comprado.



INSTRUCCIONES SOBRE EL GAS

Verifique

- A) La conexión de la línea de gas principal al múltiple (1).
- B) La conexión de la línea de gas al quemador del asador giratorio (quemador infrarrojo) (2).
- C) La conexión de la manguera de suministro de gas y el pasamuros (3).
- D) La conexión del pasamuros al regulador (4).
- E) La conexión del regulador a la manguera (5).

⚠ **ADVERTENCIA:** Si hay una fuga en la conexión (1, 2, 3, 4, o 5), vuelva a apretar la conexión con una llave y vuelva a revisarla con la solución de agua y jabón.

Si una fuga persiste aun después de volver a apretar la conexión, cierre el gas. **NO OPERE LA BARBACOA.** Contacte al Representante de Atención al Cliente usando la información de contacto en nuestro sitio web.

Conéctese a www.weber.com®.

- F) Suministro de gas a la conexión de cierre (6).
- G) Las conexiones de las válvulas al múltiple (7).

⚠ **ADVERTENCIA:** Si hubiese una fuga en las conexiones (6, o 7), cierre el gas. **NO OPERE LA BARBACOA.** Contacte al Representante de Atención al Cliente usando la información de contacto en nuestro sitio web.

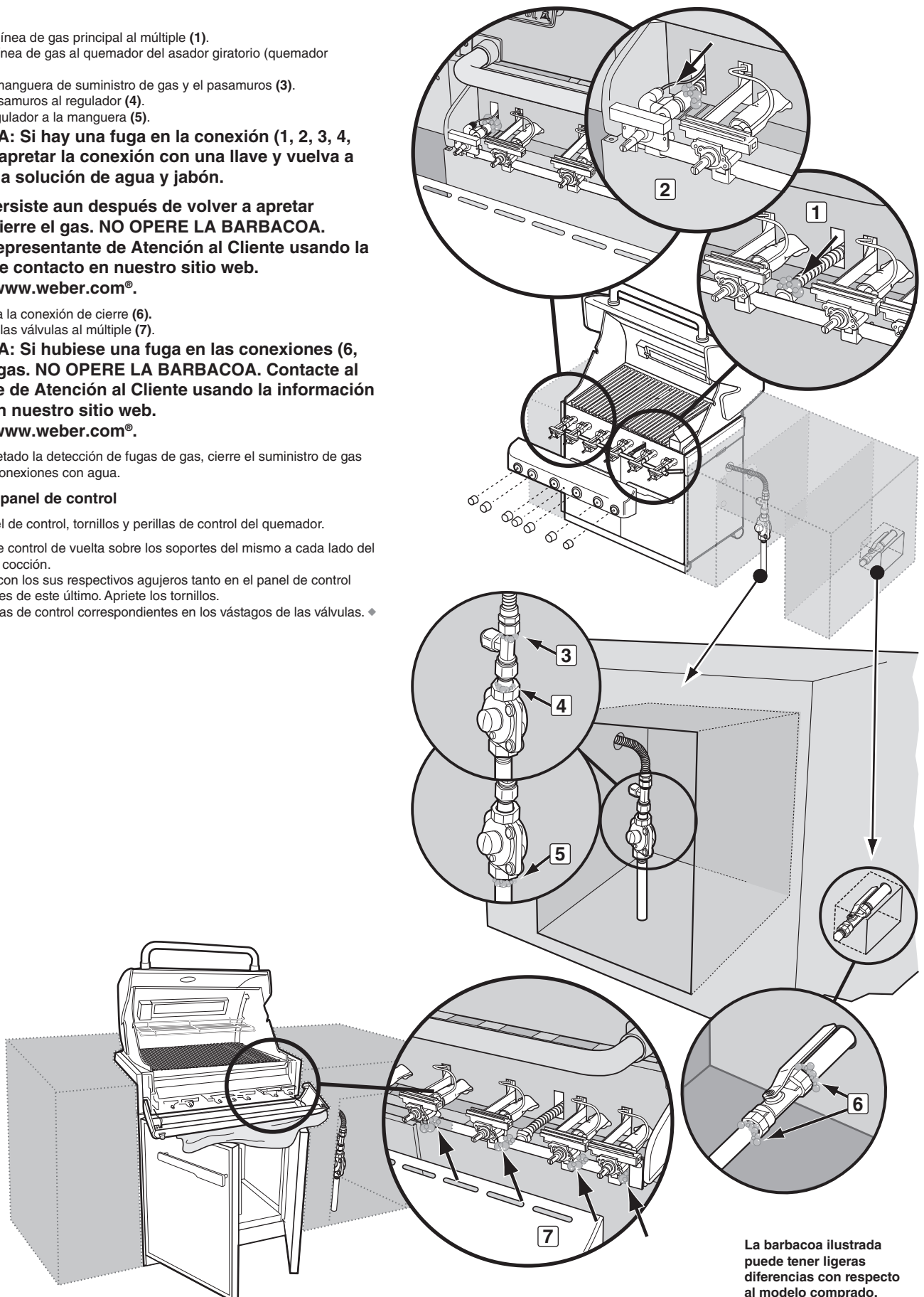
Conéctese a www.weber.com®.

Cuando se haya completado la detección de fugas de gas, cierre el suministro de gas en la fuente y lave las conexiones con agua.

Vuelva a instalar el panel de control

Partes requeridas: panel de control, tornillos y perillas de control del quemador.

- A) Coloque el panel de control de vuelta sobre los soportes del mismo a cada lado del frente de la caja de cocción.
- B) Alinee los tornillos con los sus respectivos agujeros tanto en el panel de control como en los soportes de este último. Apriete los tornillos.
- C) Introduzca las perillas de control correspondientes en los vástagos de las válvulas. ♦

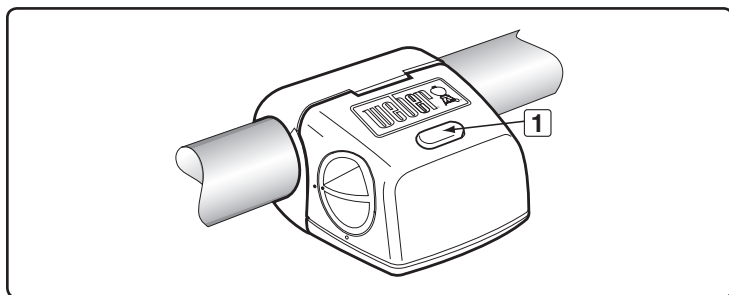


La barbacoa ilustrada puede tener ligeras diferencias con respecto al modelo comprado.

ILUMINACIÓN

LÁMPARA DEL ASA WEBER® GRILL OUT™

La lámpara del asa Weber Grill Out™ cuenta con un "sensor de inclinación". Con el botón de encendido (1) activado, la luz se encenderá al abrirse la tapa. La luz se apagará al cerrar la tapa. Para usarse durante el día, desactive al sensor pulsando el botón de encendido (1). ♦

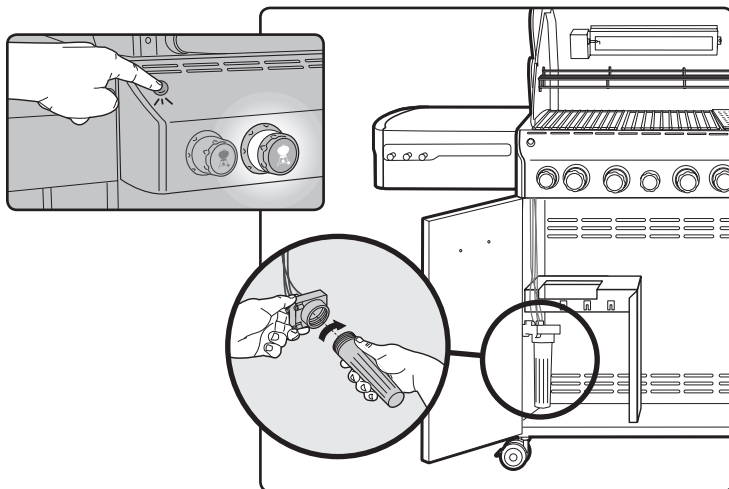


PERILLAS DE CONTROL ILUMINADAS

La barbacoa de gas viene con perillas de control que se iluminan; ello le permite ajustar finamente el calor, incluso bajo condiciones de poca luz.

Requiere 3 baterías alcalinas "D". No mezcle baterías nuevas con viejas o diferentes tipos de baterías entre sí (normales, alcalinas o recargables). El compartimiento de las baterías está ubicado dentro del gabinete en el lado izquierdo.

Para operarlas, active el botón de encendido. ♦



ANTES DE UTILIZAR LA BARBACOA

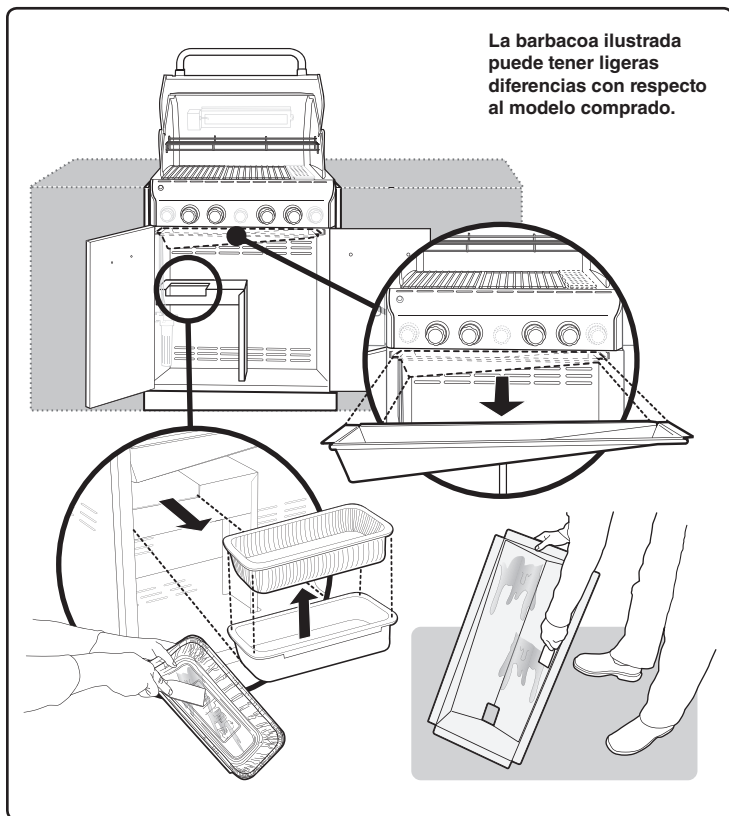
BANDEJA CORREDIZA RECOLECTORA DE GRASA Y BANDEJA DESECHABLE DE GOTEO

La barbacoa lleva incorporada un sistema de captación de grasa. Cada vez que vaya utilizar la barbacoa, revise la bandeja corrediza recolectora de grasa y la bandeja desechable de goteo para cerciorarse de que no se haya acumulado grasa en las mismas.

Retire el exceso de grasa con una espátula plástica; vea a la ilustración. Cuando sea necesario, lave la bandeja de grasa y la bandeja del goteo con una solución de agua y jabón, y luego enjuáguelas con agua limpia. Reemplace la bandeja desechable de goteo en la medida que sea necesario.

⚠ **ADVERTENCIA:** Cada vez que vaya utilizar la barbacoa, revise la bandeja corrediza recolectora de grasa y la bandeja desechable de goteo para cerciorarse de que no se haya acumulado grasa en las mismas. Retire cualquier exceso de grasa para evitar un incendio de grasa. Un incendio de grasa puede causar lesiones corporales graves o daños materiales.

⚠ **PRECAUCIÓN:** No forre la bandeja corrediza recolectora de grasa con hoja de aluminio. ♦

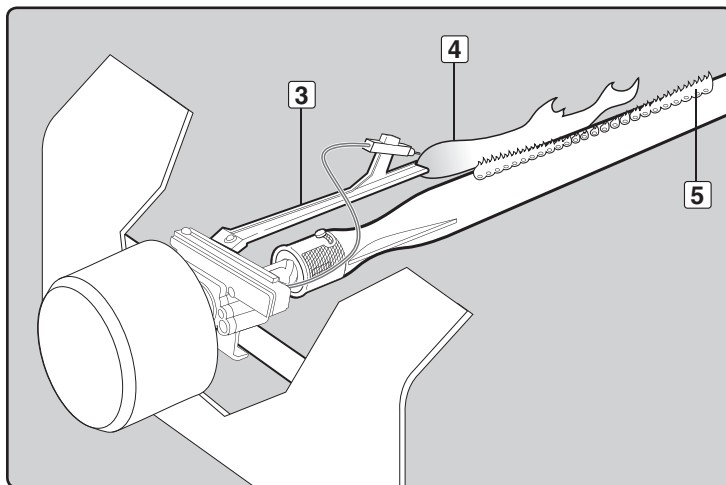
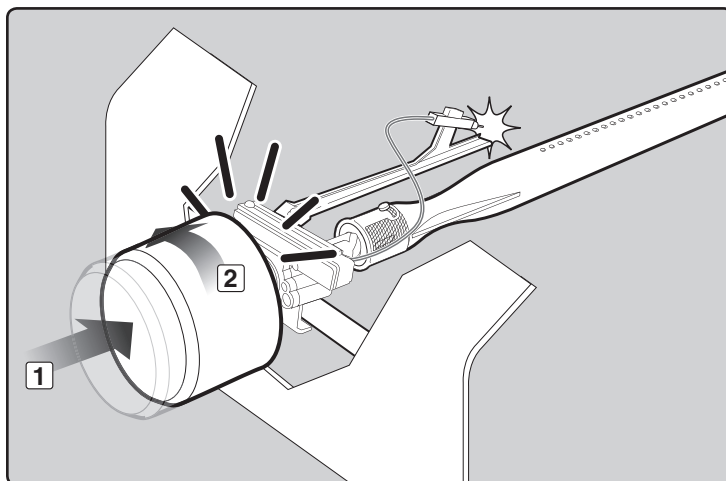


OPERACIÓN DEL ENCENDIDO DE CHASQUIDO

⚠ Siempre abra la tapa antes encender los quemadores.

- A) Cada perilla de control tiene su propio electrodo de encendido incorporado a ella. Para generar una chispa debe presionar la perilla de control (1) y girarla a encendido/fuego alto (2).
- B) Esta acción generará un flujo de gas y una chispa al tubo de encendido del quemador (3). Oirá un "chasquido" proveniente del encendedor. También verá una llama anaranjada de 3 - 5 de largo proveniente del tubo encendedor del quemador (4).
- C) **Mantenga presionada la perilla de control durante dos segundos adicionales después del "chasquido"**. Esto permitirá que el gas fluya a todo lo largo del tubo quemador (5) y se asegure el encendido.
- D) Verifique que el quemador esté encendido viendo a través de las parrillas de cocción. Deberá ver una llama. Si el encendedor no se encendiese al primer intento, presione la perilla de control y gírela a la posición apagada y repita el procedimiento una segunda vez.

⚠ **ADVERTENCIA: Si el quemador no se enciende, gire la perilla del control del quemador a la posición APAGADO y espere 5 minutos para permitir que el gas se disipe antes de tratar de nuevo o de tratar de encenderlo con un cerillo.** ♦



ENCENDIDO Y USO DEL QUEMADOR PRINCIPAL

ENCENDIDO DEL QUEMADOR PRINCIPAL

Dentro del puerta izquierda del gabinete se encuentran las instrucciones resumidas de encendido.

⚠ PELIGRO

El no abrir la tapa mientras se esté encendiendo el quemador de la barbacoa, o no esperar 5 minutos para que el gas se disipe si ésta no se enciende, puede resultar en una llamarada explosiva, la cual puede causar lesiones corporales serias o la muerte.

Encendido rápido del quemador principal

Nota: Cada perilla de control de encendido rápido crea una chispa que va del electrodo de encendido al tubo quemador de encendido. Al presionar la perilla de control y girarla a ENCENDIDO/FUEGO ALTO, usted genera la energía para la chispa. Esto encenderá cada quemador individual.

⚠ **ADVERTENCIA:** Inspeccione la manguera previo a cada uso de la barbacoa y asegúrese de que no tenga muecas, grietas, abrasiones o cortes. Si se encontrase que la manguera estuviese dañada de cualquier manera, no utilice la barbacoa. Reemplácela solamente con una manguera de repuesto autorizada por Weber®. Contacte al Representante de Servicios al Cliente en su área utilizando la información de contacto en nuestro sitio web.

Conéctese a www.weber.com®.

- A) Abra la tapa (1).
- B) Asegúrese de que todas las perillas de control del quemador estén en la posición APAGADO. (Empuje la perilla de control hacia adentro y gire en dirección de las manecillas del reloj para asegurarse de que esté en la posición APAGADO) (2).
- C) Abra el suministro de gas en la fuente (3).

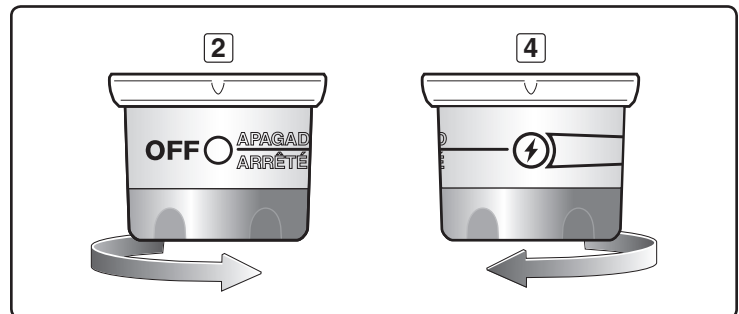
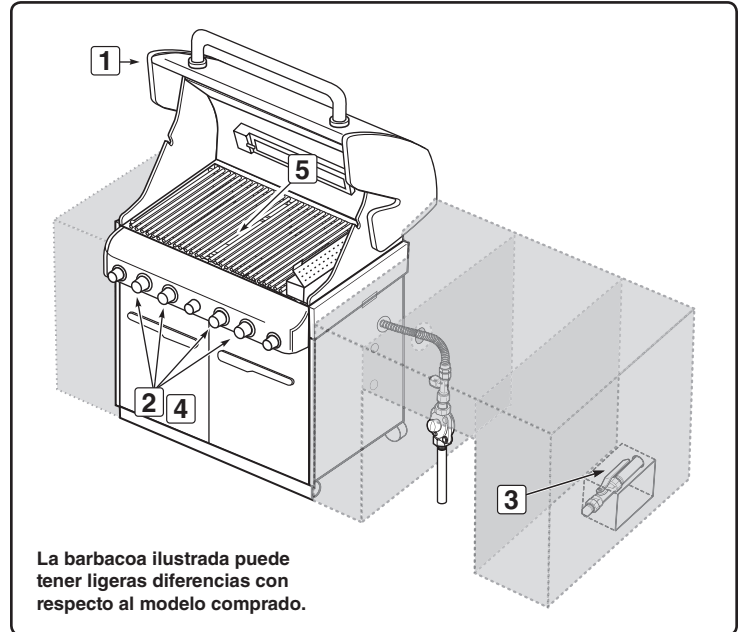
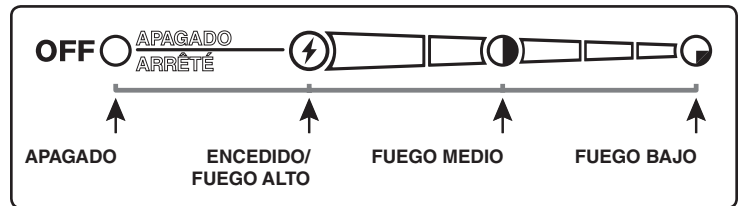
⚠ **ADVERTENCIA:** No se incline sobre la barbacoa abierta.

- D) Presione la perilla de control y gire hacia ENCENDIDO/FUEGO ALTO hasta que oiga el chasquido del encendedor - mantenga a la perilla de control en dicha posición durante dos segundos. Esta acción hará que el encendedor genere una chispa y encienda el tubo piloto y luego el quemador principal (4).
- E) Verifique que el quemador esté encendido viendo a través de las parrillas de cocción. Deberá ver una llama. Si el encendedor no se encendiese al primer intento, presione la perilla de control y gírela a la posición APAGADO y repita el procedimiento una segunda vez (5).

⚠ **ADVERTENCIA:** Si el quemador no se encendiese, gire la perilla del control del quemador a la posición APAGADO y espere 5 minutos para permitir que el gas se disipe antes de tratar de nuevo o de tratar de encenderlo con una cerilla. ♦

PARA APAGAR

Presione y gire la perilla de control del quemador en dirección de las agujas del reloj a la posición APAGADO. Cierre el suministro de gas en la fuente del mismo. ♦



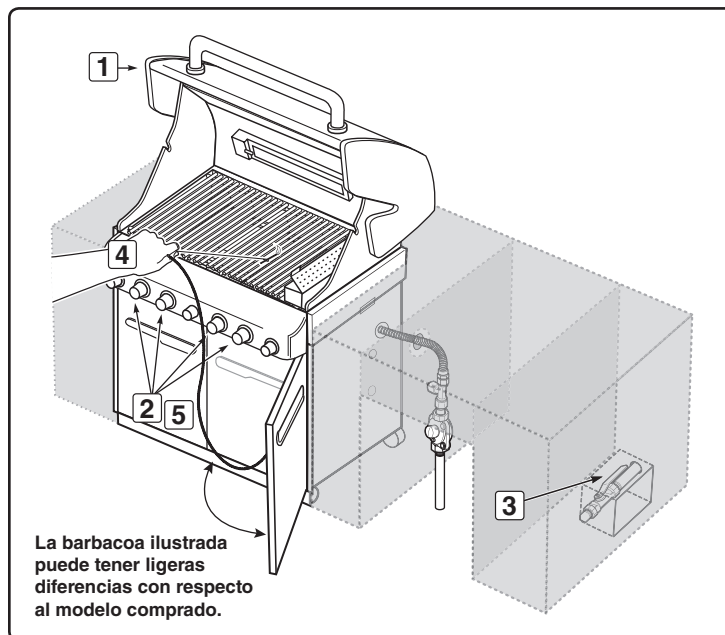
ENCENDIDO Y USO DEL QUEMADOR PRINCIPAL

ENCENDIDO MANUAL DEL QUEMADOR PRINCIPAL

⚠ PELIGRO

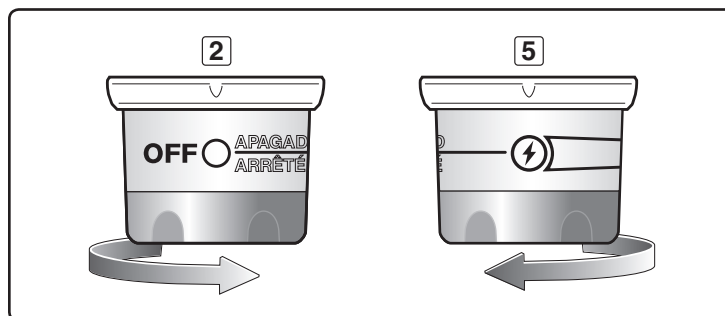
El no abrir la tapa mientras se esté encendiendo el quemador de la barbacoa, o no esperar 5 minutos para que el gas se disipe si la barbacoa no se enciende, puede resultar en una llamarada explosiva, la cual puede causar lesiones corporales serias o la muerte.

- A) Abra la tapa (1).
- B) Asegúrese de que todas las perillas de control de los quemadores estén en la posición APAGADO. (Presione cada perilla y gírela en dirección de las agujas del reloj para asegurarse de que estén cerradas en la posición APAGADO) (2).
- C) Abra el suministro de gas en la fuente (3).
- D) Coloque el cerillo en el portacerillos y enciéndalo.
- ⚠ **ADVERTENCIA: No se incline sobre la barbacoa abierta.**
- E) Inserte el portacerillos con el cerillo encendido a través de las parrillas de cocción y de las barras Flavorizer® para encender el quemador seleccionado (4).
- F) Presione la perilla de control del quemador y gírela hacia ENCENDIDO/ FUEGO ALTO (5).
- ⚠ **ADVERTENCIA: Si el quemador no se enciende, gire la perilla del control del quemador Delantero a la posición APAGADO y espere 5 minutos para permitir que el gas se disipe antes de tratar de nuevo.** ♦



PARA APAGAR

Presione y gire la perilla de control del quemador en dirección de las agujas del reloj a la posición APAGADO. Cierre el suministro de gas en la fuente del mismo. ♦



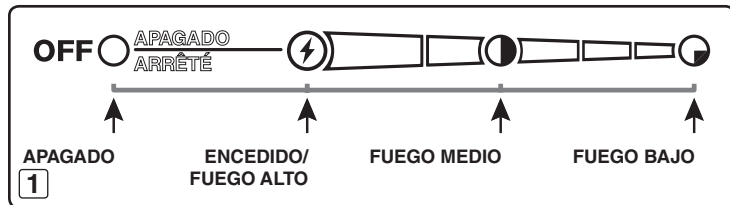
CONSEJOS PRÁCTICOS PARA ASAR

- Siempre precaliente la barbacoa antes de cocinar en la misma. Ajuste todos los quemadores a la posición llama alta y cierre la tapa, caliente durante 10 minutos, o hasta que el termómetro marque 500°-550° F (260°-288° C).
- Para alimentos siempre perfectamente asados, dore la carnes y cocine con la tapa cerrada.
- Los tiempos de asado en las recetas son en base a una temperatura ambiental de 70° F (20° C) y poco o ningún viento. Permita un mayor tiempo de cocción en días fríos o de viento, o a mayores altitudes. Permita menos tiempo de cocción en climas extremadamente calurosos.
- Los tiempos pueden variar a causa del clima, o la cantidad, tamaño y forma de los alimentos asados.
- La temperatura de operación de la barbacoa de gas podría ser más caliente de lo normal durante los primeros usos.
- Las condiciones de asado pueden requerir el ajuste de los controles de los quemadores para obtener las temperaturas de cocción correctas.
- Por lo general, las piezas de carne más grandes requerirán mayor tiempo de cocción por libra que las piezas más chicas. Los alimentos abarrotados sobre una parrilla de cocción requerirán de más tiempo de cocción que sólo unos pocos alimentos. Los alimentos asados dentro de recipientes, tales como judías en salsa de tomate, tomarán más tiempo si se cocinan en una cacerola profunda que en una olla llana.
- Recorte el exceso de grasa de los bistecs, chuletas y asados, dejando apenas ¼ de pulgada (6.4 mm) de grasa. Menos grasa facilita la limpieza, y es una garantía casi absoluta contra las indeseadas llamaradas.
- Los alimentos colocados sobre la parrilla de cocción directamente encima de los quemadores pudieran requerir que se les dé la vuelta o que se les mueva a un área menos caliente.
- Use tenacillas en vez de un tenedor para dar vuelta y manipular las carnes para así evitar perder los jugos naturales. Use dos espátulas para manipular un pescado entero grande.
- Si llegase a ocurrir alguna llamarada indeseada, apague todos los quemadores y mueva los alimentos a otra zona de la parrilla de cocción. Cualquier llama se apagará rápidamente. Una vez que las llamas se apaguen, vuelva a encender la parrilla. JAMÁS USE AGUA PARA EXTINGUIR LAS LLAMAS EN UNA PARRILLA DE GAS.
- Algunos alimentos, tales como los guisos o los filetes delgados de pescado, requerirán de un recipiente para asarlos. Las ollas desechables de lámina son muy convenientes, pero puede usarse cualquier olla de metal con asas resistentes al calor.
- Asegúrese siempre de que la bandeja inferior y el plato recolector de grasa estén limpios y libres de desechos.
- No forre la bandeja deslizante de grasa con papel aluminio. Ello podría prevenir que la grasa fluya al plato recolector de grasa.
- El usar un temporizador le ayudará a alertarle cuando "bien cocido" esté a punto de convertirse en "sobre cocido."

Nota: Si la barbacoa pierde calor mientras se está cocinando refiérase a la sección de resolución de problemas de este manual.

⚠ ADVERTENCIA: No mueva la barbacoa de gas Weber® mientras esté en operación o esté caliente.

Puede ajustar los quemadores individuales a su gusto. Los ajustes de control (1) son APAGADO, ENCENDER/FUEGO ALTO, FUEGO MEDIO, y FUEGO BAJO.



Nota: La temperatura dentro de la caja de cocción durante las primeras ocasiones en que se use, cuando las superficies aún serán bastante reflectoras, podrá estar más caliente de lo que se indica en su libro de recetas. Las condiciones bajo las que se esté cocinando, tales como el viento y el tiempo, pueden hacer que se requieran ajustes a los controles de los quemadores para obtener las temperaturas de cocción correctas.

Si los quemadores se apagasen durante la cocción, apague todos los quemadores y espere 5 minutos antes de volver a encender. ♦

PRECALENTADO

La barbacoa de gas Weber® es un artefacto que utiliza la energía eficientemente. La misma opera a una baja tasa de consumo calorífico. Es importante precalentar la barbacoa antes de asar. Encienda su barbacoa de gas Summit® de acuerdo con las instrucciones en este Manual del Propietario. Para precalentar: tras encender gire los quemadores a la posición encendido/alto fuego, cierre la tapa, y caliente hasta que la temperatura alcance entre 500° y 550° F (260° y 290°C), la temperatura recomendada para asar. Esto tomará entre 10 y 15 minutos, dependiendo de tales condiciones como la temperatura del aire y el viento. ♦

COCCIÓN CUBIERTA

Todo asado deberá realizarse con la tapa cerrada para proporcionar un calor uniforme y con una circulación pareja. Con la tapa cerrada, la barbacoa de gas Summit® cocinará de manera muy parecida a un horno de convección. El termómetro en la tapa indica la temperatura de cocción dentro de la barbacoa. Todo precalentamiento y cocción se realiza con la tapa cerrada. Nada de miraditas - se pierde calor cada vez que usted abre la tapa. ♦

PRINGUES Y GRASA

Las barras del Flavorizer® han sido diseñadas para "ahumar" la cantidad correcta de pringues y así obtener una cocción con bastante sazón. Los jugos de cocción y el exceso de grasa se acumularán en el plato recolector debajo de la bandeja corredera inferior. Hay disponibles bandejas de goteo desechables que caben en el plato recolector.

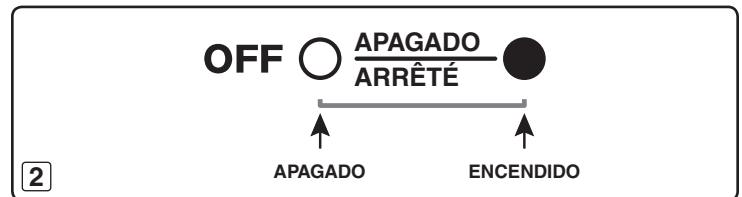
⚠ ADVERTENCIA: Antes de cada uso, revise que no haya grasa acumulada en la bandeja de grasa y en el plato recolector. Retire el exceso de grasa para evitar que ésta se incendie en la bandeja corredera de grasa. ♦

EL SISTEMA FLAVORIZER®

Cuando los jugos de carne chorrean de la comida a las barras Flavorizer® colocadas a un ángulo especial, estas crean un humo que le da a la comida una sazón a barbacoa irresistible. Gracias al diseño único de los quemadores, las barras Flavorizer® y los flexibles controles de temperatura, los fogonazos descontrolados han sido virtualmente eliminados, pues USTED controla las llamas. Debido al diseño especial de las barras Flavorizer® y de los quemadores, las grasas en exceso son dirigidas a través de la bandeja de grasa al plato recolector de grasa. ♦

ESTACIÓN DE DORADO SEAR STATION®

Su barbacoa Weber® podría incluir un quemador para dorar carnes y pescados de poco espesor. El quemador de la estación de dorado Sear Station® tiene un ajuste de control OFF, START/HI o LOW (2) que funciona en conjunto con los dos quemadores principales adyacentes. Con el quemador para dorar y los quemadores adyacentes puede dorar las carnes de manera efectiva mientras usa las demás áreas de cocción para cocinar bajo calor moderado (consulte la sección "ENCENDIDO Y USO DE LA ESTACIÓN DE DORADO SEAR STATION® (MODELO 330)"). ♦



MÉTODOS DE COCCIÓN

Lo más importante que hay que saber acerca de asar es cual método de cocción usar para un alimento específico, el método Directo o Indirecto. La diferencia es sencilla: colocar los alimentos directamente sobre el fuego, o encender el fuego a cada lado de ellos. Usar el método correcto es la ruta más corta a resultados fabulosos - y la mejor manera de garantizar la seguridad de que esté bien cocido.

COCCIÓN DIRECTA

El método directo, similar al asado, significa que los alimentos se cocinan directamente sobre la fuente de calor. Para una cocción pareja, los alimentos deberán voltearse una vez a la mitad del tiempo de asado. Use el método directo para alimentos que toman menos de 25 minutos en asarse: bistecs, chuletas, brochetas, salchichas, vegetales, y más.

La cocción directa también es necesaria para dorar las carnes. La doradura crea esa fabulosa textura crujiente y caramelizada donde el alimento toca la parrilla. También le da un gran color y sazón a toda la superficie. Los bistecs, chuletas, pechugas de pollo, y los cortes mayores de carne todos se benefician de la doradura.

Para dorar las carnes, colóquelas sobre fuego alto directo durante 2 a 5 minutos por lado. Las piezas menores requieren menos tiempo de doradura. Normalmente después de dorar se termina de asar los alimentos a una temperatura más baja. Puede asar aquellos alimentos que se cocinan rápido usando el método directo; utilice el método indirecto para los alimentos que tardan más en asarse.

Para poner a punto la parrilla para la cocción directa, precaliéntela con todos los quemadores en fuego alto. Coloque los alimentos sobre la parrilla de cocción y luego ajuste todos los quemadores a la temperatura indicada en la receta. Cierre la tapa de la barbacoa y levántela solamente para darle vuelta a los alimentos o comprobar cuán bien hecha está al final del tiempo recomendado de cocción. ♦

COCCIÓN INDIRECTA

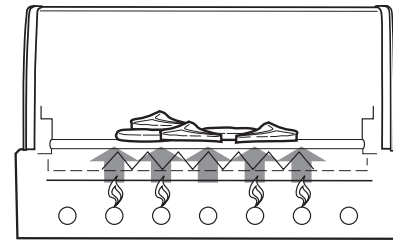
El método indirecto es similar al asado, pero con el beneficio adicional de esa textura, sazón, y apariencia de la comida a la parrilla que no se puede obtener en un horno.

Para preparar la barbacoa para la cocción indirecta, se encienden los quemadores a cada lado de los alimentos pero no aquellos directamente debajo de ellos. El calor asciende, se refleja de la tapa y de las superficies internas de la parrilla, y circula para cocinar lentamente los alimentos de manera pareja por todos los lados, en forma muy similar a un horno de convección, por lo que no hay necesidad de voltearlos.

Utilice el método indirecto para los alimentos que requieran 25 minutos o más de tiempo de asado o que son tan delicados que la exposición directa a la llama los secaría o quemaría. Los ejemplos incluyen asados, costillas, pollos enteros, pavos, y otros cortes grandes de carne al igual que filetes delicados de pescado.

Para preparar la barbacoa de gas para la cocción indirecta, precaliéntela con todos los quemadores en FUEGO ALTO. Luego ajuste los quemadores de cada lado de los alimentos a la temperatura indicada en la receta y apague el (los) quemador(es) directamente debajo de ellos. Para los mejores resultados, coloque los asados, aves, o cortes grandes de carne sobre una rejilla de asar colocada dentro de una bandeja desechable de lamina gruesa. Para tiempos de cocción más largos, agregue agua a la bandeja de lamina para evitar que el chorreo de grasa se queme. El chorreo de grasa puede usarse para hacer salsa. ♦

4 QUEMADORES

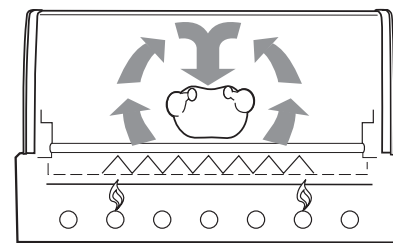


1 2 3 4
H H H H

MÉTODO DIRECTO

Los alimentos se colocan en el área de las parrillas de cocción directamente encima de los quemadores encendidos.

4 QUEMADORES



1 2 3 4
M M

MÉTODO INDIRECTO

Los alimentos se colocan en el área de las parrillas de cocción entre los quemadores indirectos.

ENCENDIDO Y USO DE LA ESTACIÓN DE DORADO®

ENCENDIDO DE LA ESTACIÓN DE DORADO SEAR STATION®

Instrucciones resumidas para el encendido se encuentran dentro de la puerta izquierda del gabinete.

⚠ PELIGRO

El no abrir la tapa mientras se esté encendiendo el quemador de la barbacoa, o no esperar 5 minutos para que el gas se disipe si la barbacoa no se enciende, puede resultar en una llamarada explosiva, la cual puede causar lesiones corporales serias o la muerte.

El quemador de la estación para dorar Sear Station® tienen un ajuste de control de encendido y apagado. Para encender el quemador de la estación para dorar Sear Station® debe primero encender los dos quemadores principales adyacentes.

Encendido de acción rápida del quemador principal adyacente

Nota: La perilla de control de encendido de acción rápida de cada quemador principal genera una chispa desde el electrodo de encendido al tubo de encendido del quemador. Usted genera la energía para la chispa al empujar la perilla de control hacia adentro y girar a ENCENDIDO/FUEGO ALTO. Esto encenderá cada quemador individual.

⚠ ADVERTENCIA: Inspeccione la manguera previo a cada uso de la barbacoa y asegúrese de que no tenga muescas, grietas, abrasiones o cortes. Si se encontrase que la manguera estuviese dañada de cualquier manera, no utilice la barbacoa. Reemplácela solamente con una manguera de repuesto autorizada por Weber®. Contacte al Representante de Servicios al Cliente en su área utilizando la información de contacto en nuestro sitio web. Conéctese a www.weber.com.

- A) Abra la tapa (1).
- B) Asegúrese de que todas las perillas de control de los quemadores estén cerradas (2). (Empuje la perilla de control hacia adentro y gire en dirección de las agujas del reloj para asegurarse de que esté en la posición APAGADO)
- C) Abra el suministro de gas en la fuente (3).
- ⚠ ADVERTENCIA: No se incline sobre la barbacoa abierta.**
- D) Encienda cada quemador principal adyacente a la estación para dorar Sear Station® empuje la perilla de control hacia adentro y gírela a ENCENDIDO/FUEGO ALTO hasta oír sonar el encendedor; mantenga el control en esa posición durante dos segundos. Esta acción hará que el encendedor chispee, encendiendo el tubo de encendido del quemador y luego el quemador principal. (4)
- E) Verifique que el quemador esté encendido viendo hacia abajo a través de las rejillas de cocción (5). Deberá ver una llama. Si el quemador no se enciende la primera vez, empuje la perilla de control hacia adentro y gírela a la posición APAGADO. Repita el procedimiento de encendido una segunda vez.

Encendido de la estación de dorado Sear Station®: encendido por un quemador principal adyacente encendido

- F) Gire la perilla de control del quemador de la estación para dorar Sear Station® a la posición ON (encendido) (6).
- G) Confirme visualmente la presencia de llamas que indiquen que el encendido ha sido exitoso (7).

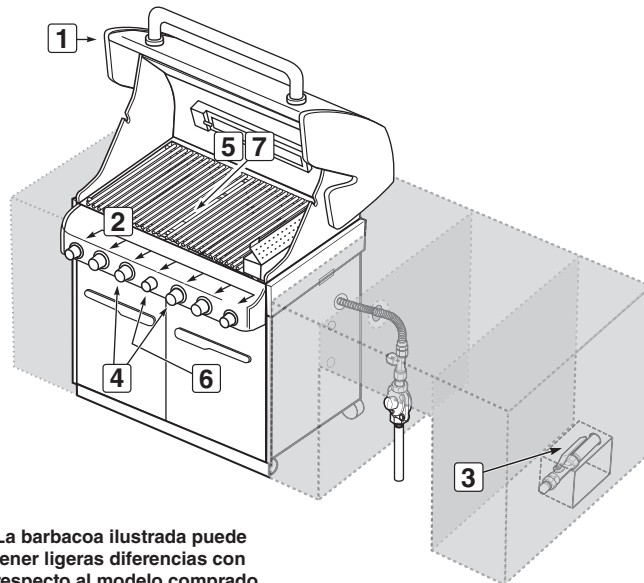
⚠ ADVERTENCIA: Si el encendido no ocurre en el transcurso de 5 segundos, apague (posición APAGADO) el control del quemador, espere cinco minutos y vuelva a repetir los pasos F y G o consulte las instrucciones sobre “ENCENDIDO MANUAL DEL QUEMADOR DE LA ESTACIÓN DE DORADO SEAR STATION®”

⚠ ADVERTENCIA: Si el quemador no se enciende, gire la perilla del control del quemador a la posición APAGADO y espere 5 minutos para permitir que el gas se disipe antes de tratar de nuevo o de tratar de encenderlo con un cerillo.

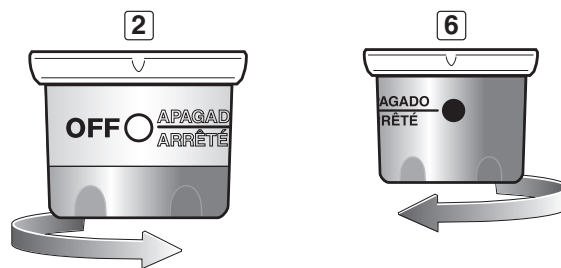
Nota: Consulte la sección de Mantenimiento respecto a los procedimientos para retirar y limpiar los quemadores. ♦

PARA APAGAR

Presione hacia abajo y gire la perilla de control del quemador en dirección de las agujas del reloj a la posición APAGADO. Cierre el suministro de gas en la fuente del mismo. ♦



La barbacoa ilustrada puede tener ligeras diferencias con respecto al modelo comprado.



ENCENDIDO Y USO DE LA ESTACIÓN DE DORADO®

ENCENDIDO MANUAL DEL QUEMADOR DE LA ESTACIÓN DE DORADO SEAR STATION®

⚠ PELIGRO

El no abrir la tapa mientras se está encendiendo el quemador de la barbacoa, o no esperar 5 minutos para que el gas se disipe si la barbacoa no se enciende, puede resultar en una llamarada explosiva, la cual puede causar lesiones corporales serias o la muerte.

El quemador de la estación para dorar Sear Station® tienen un ajuste de control de encendido y apagado. Para encender el quemador de la estación para dorar Sear Station® debe primero encender los dos quemadores principales adyacentes.

Encendido de acción rápida del quemador principal adyacente

Nota: La perilla de control de encendido de acción rápida de cada quemador principal genera una chispa desde el electrodo de encendido al tubo de encendido del quemador. Usted genera la energía para la chispa al empujar la perilla de control hacia adentro y girar a encendido/fuego alto. Esto encenderá cada quemador individual.

- Abra la tapa (1).
- Verifique que cada quemador principal adyacente a la estación para dorar Sear Station® esté encendido mediante la comprobación visual de que desprenden llamas (2).
- Coloque el cerillo en el portacerillos y enciéndalo.

⚠ ADVERTENCIA: No se incline sobre la barbacoa abierta.

- Inserte el portacerillos con el cerillo encendido a través y hacia abajo de las rejillas de cocción y de las barras Flavorizer® para encender el quemador de la estación para dorar Sear Station® (3).
- Empuje la perilla de control de la estación para dorar Sear Station® hacia adentro y gírela a la posición encendida (4).

⚠ ADVERTENCIA: Si el quemador no se enciende, gire la perilla del control del quemador a la posición apagado y espere 5 minutos para permitir que el gas se disipe antes de tratar de nuevo.

Nota: Consulte la sección de Mantenimiento respecto a los procedimientos para retirar y limpiar los quemadores. ♦

PARA APAGAR

Presione hacia abajo y gire la perilla de control del quemador en dirección de las agujas del reloj a la posición apagado. Cierre el suministro de gas en la fuente del mismo. ♦

CÓMO USAR LA ESTACIÓN PARA DORAR SEAR STATION®

La barbacoa de gas Weber® incluye un quemador para dorar carnes como los bistecs, partes de aves, pescado y chuletas).

Ésta es una técnica de asado directo que dora la superficie de los alimentos a altas temperaturas. Al dorar ambas partes de la carne creará un sabor más gustoso mediante la caramelización de la superficie de los alimentos. El dorar también mejorará la apariencia de la carne con las marcas de dorado de la parrilla de cocción. Esto, junto con el contraste de texturas y sabores, puede hacer el alimento más interesante al paladar.

El quemador de la estación para dorar Sear Station® tiene un ajuste de control de encendido y apagado que funciona en conjunto con los dos quemadores principales adyacentes. Con los quemadores adyacentes y el quemador para dorar usted puede dorar las carnes de manera efectiva mientras usa otras zonas de cocción para asar bajo calor moderado.

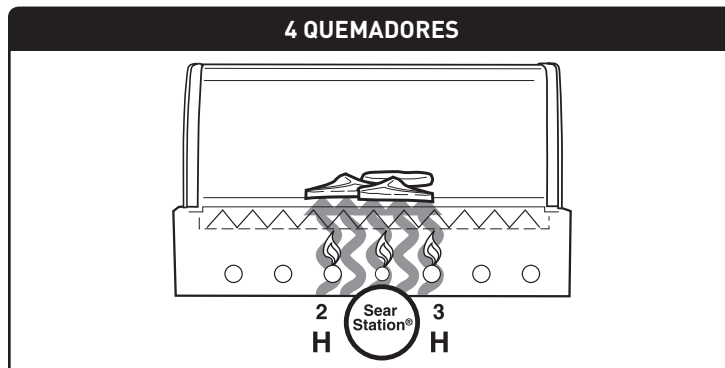
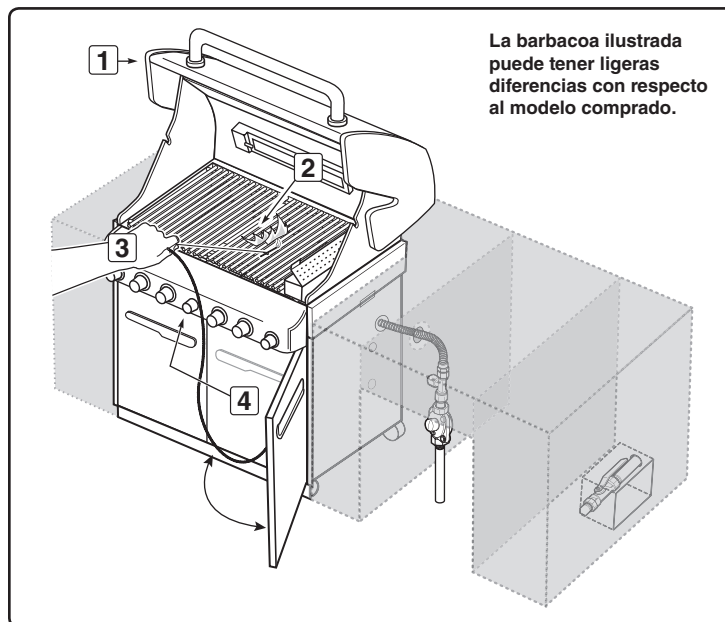
Antes de empezar a dorar deberá colocar a fuego alto todos los quemadores principales para precalentar la barbacoa. Nota: Siempre ase con la tapa cerrada para lograr el calor máximo y evitar llamaradas.

Una vez esté precalentada la barbacoa, apague los quemadores externos o redúzcalos a fuego bajo. Deje los dos quemadores centrales en fuego alto y encienda el quemador de la estación para dorar Sear Station.

Coloque la carne directamente sobre la estación para dorar Sear Station®. Dore cada lado entre 1 y 4 minutos, según el tipo y espesor de la carne. Puede darle un cuarto de vuelta al alimento para crear las marcas de dorado (1) antes de dorar el otro lado de la misma manera.

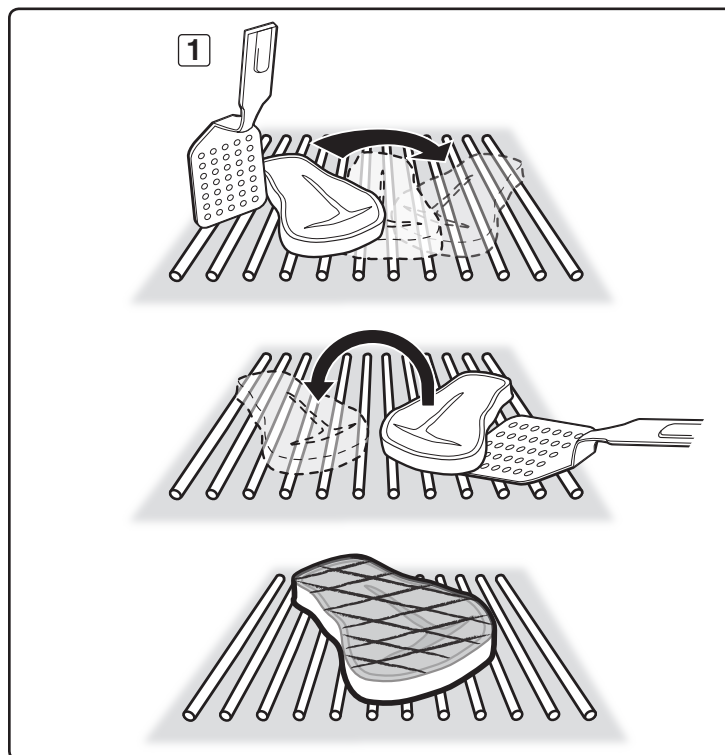
Una vez haya terminado de dorar, puede terminar de asar la carne moviéndola a calor más moderado sobre los calentadores externos para alcanzar el grado de cocción deseado.

En la medida que obtenga más experiencia en el uso de la estación para dorar Sear Station®, lo animamos a que experimente con diferentes tiempos de dorado para lograr los resultados óptimos para su gusto. ♦



MÉTODO PARA DORAR

El alimento se coloca en la zona de calor intenso entre los quemadores encendidos



ENCENDIDO Y USO DEL QUEMADOR DEL AHUMADOR

ENCENDIDO DEL QUEMADOR DEL AHUMADOR

⚠ PELIGRO

El no abrir la tapa mientras se esté encendiendo la barbacoa, o no esperar cinco minutos para permitir que el gas se disipe si la barbacoa no se enciende, puede resultar en una llamarada explosiva, la cual puede causar lesiones corporales serias o la muerte.

Encendido rápido del quemador del ahumador

Nota: Cada perilla de control de encendido rápido crea una chispa que va del electrodo de encendido al tubo quemador de encendido. Al presionar la perilla de control y girarla a ENCENDIDO/FUEGO ALTO, usted genera la energía para la chispa. Esto encenderá el quemador del ahumador.

⚠ **ADVERTENCIA:** Inspeccione la manguera previo a cada uso de la parrilla y asegúrese de que no tenga muescas, grietas, abrasiones o cortes. Si se encontrase que la manguera estuviese dañada de cualquier manera, no utilice la barbacoa. Reemplácela solamente con una manguera de repuesto autorizada por Weber®. Contacte al Representante de Servicios al Cliente en su área utilizando la información de contacto en nuestro sitio web. Conéctese a www.weber.com®.

- A) Abra la tapa de la barbacoa (1).
- B) Abra la tapa de la caja del ahumador (2).
- C) Llene la caja del ahumador con pedazos o astillas de madera empapadas con agua (3).
- D) Asegúrese de que las perillas de control de los quemadores que no se estén usando estén en la posición APAGADO (4). (Empuje la perilla de control hacia adentro y gire en dirección de las agujas del reloj para asegurarse de que esté en la posición APAGADO)
- E) Abra el gas en la fuente del mismo (5).

⚠ **ADVERTENCIA:** Al encender, no se incline sobre la barbacoa abierto.

- F) Presione la perilla de control y gírela a la posición encendido/fuego alto hasta oír que el encendedor haga un chasquido (6), y continúe presionando la pérdida de control durante dos segundos. Esta acción hará que el encendedor chisporrotee, lo cual encenderá el tubo del quemador de encendido y luego el quemador del ahumador.
- G) Verifique que el quemador esté encendido viendo a través de las parrillas de cocción (7). Deberá ver una llama. Si el encendedor no se encendiese al primer intento, presione la perilla de control y gírela a la posición APAGADO y repita el procedimiento una segunda vez.

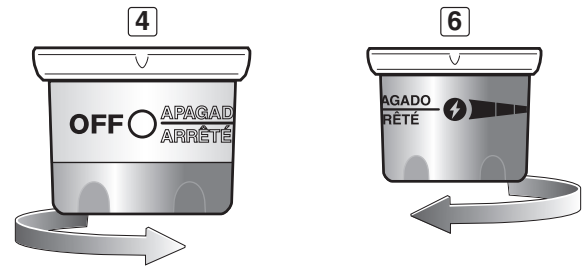
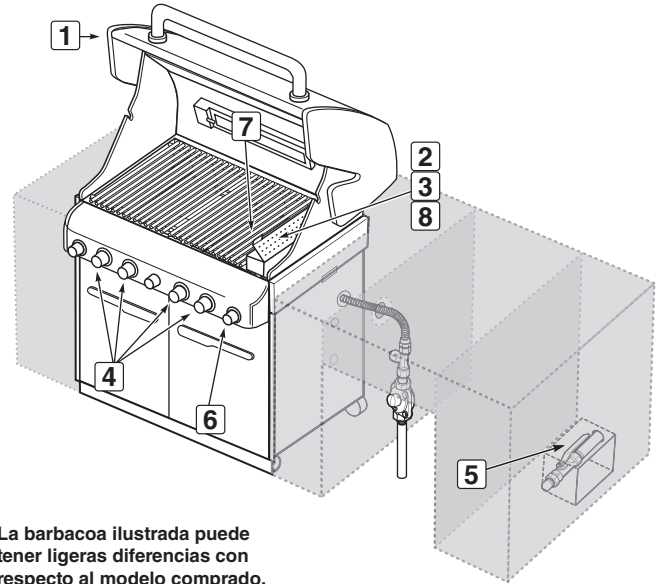
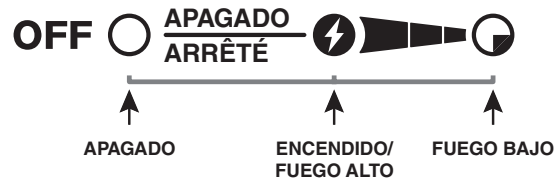
⚠ PELIGRO

Si el quemador del ahumador no se enciende, gire la perilla del control del quemador a la posición APAGADO y espere 5 minutos para permitir que el gas se disipe antes de tratar de nuevo.

- H) Una vez que la madera empiece a arder, cierre la cubierta del ahumador y gire la perilla de control a LOW (fuego bajo). ♦

PARA APAGAR

Presione y gire la perilla de control de cada quemador en dirección de las agujas del reloj a la posición APAGADO. Cierre el suministro de gas en la fuente del mismo. ♦



ENCENDIDO Y USO DEL QUEMADOR DEL AHUMADOR

ENCENDIDO MANUAL DEL QUEMADOR DEL AHUMADOR

A) Abra la tapa (1).

⚠ PELIGRO

El no abrir la tapa mientras se esté encendiendo la barbacoa, o no esperar 5 minutos para permitir que el gas se disipe si la barbacoa no se enciende, puede resultar en una llamarada explosiva, la cual puede causar lesiones corporales serias o la muerte.

B) Abra la tapa de la caja del ahumador (2).

C) Llene la caja del ahumador con pedazos o astillas de madera empapadas con agua (3).

D) Asegúrese de que las perillas de control de los quemadores que no se estén usando estén en la posición APAGADO (4). (Empuje la perilla de control hacia adentro y gire en dirección de las agujas del reloj para asegurarse de que esté en la posición APAGADO)

E) Abra el gas en la fuente del mismo (5).

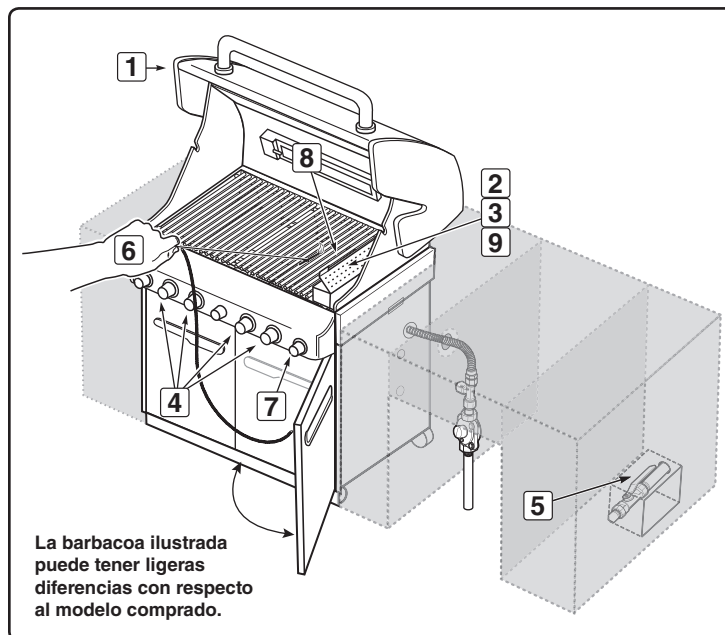
F) Coloque un cerillo en el portacerillos y enciéndalo.

G) Inserte el portacerillos con el cerillo encendido a través de las parrillas de cocción y de las barras Flavorizer® para encender el quemador del ahumador (6).

⚠ ADVERTENCIA: Mientras la enciende, no se incline sobre la barbacoa abierta.

H) Presione la perilla de control del quemador del ahumado y gírela hacia ENCENDIDO/FUEGO ALTO (7).

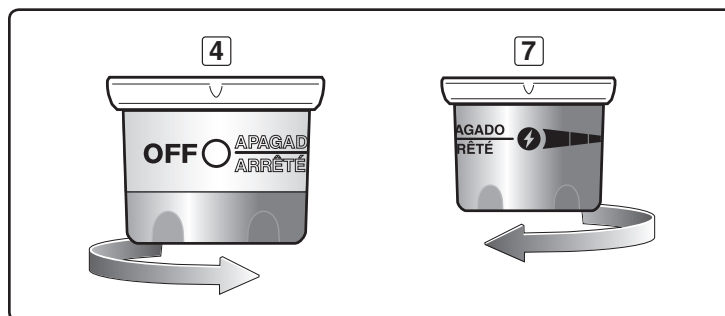
I) Verifique que el quemador esté encendido viendo hacia abajo a través de la parrilla de cocción (8).



⚠ PELIGRO

Si el quemador del ahumador no se enciende, gire la perilla del control del quemador a la posición APAGADO y espere cinco minutos para permitir que el gas se disipe antes de tratar de nuevo.

J) Una vez que la madera empiece a arder, cierre la cubierta del ahumador y gire la perilla de control a LOW (fuego bajo) (9). ♦



PARA APAGAR

Presione y gire la perilla de control de cada quemador en dirección de las agujas del reloj a la posición APAGADO. Cierre el suministro de gas en la fuente del mismo. ♦

ENCENDIDO Y USO DEL QUEMADOR DEL AHUMADOR

CÓMO USAR EL AHUMADOR

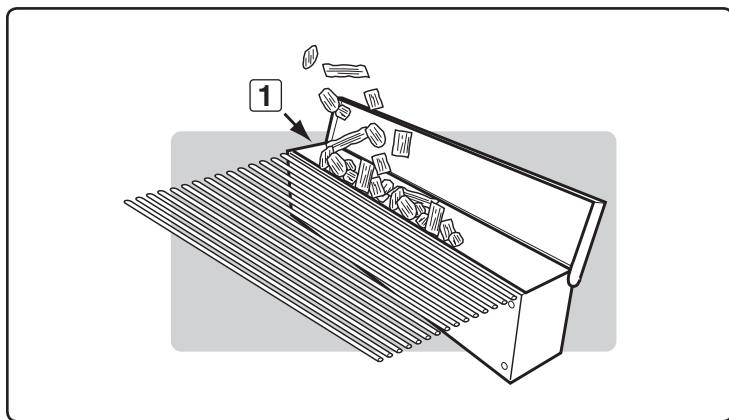
El ahumador usa astillas de madera premojadas. Para resultados óptimos con alimentos que se cocinan más rápidamente tales como bistecs, hamburguesas, chuletas, etc., recomendamos usar astillas de madera más finas dado que se encienden y crean humo de manera más rápida. Para alimentos con tiempos de cocción más largos tales como los asados, pollos y pavos, etc., recomendamos el uso de trozos de madera más grandes dado que se encienden más lentamente y proporcionan humo durante un período de tiempo más largo. En la medida en que usted gane experiencia usando su ahumador, le animamos a experimentar con diferentes combinaciones de astillas y pedazos de madera para encontrar el sabor del ahumado que más se ajusta a su gusto.

Como punto de partida, remoje las astillas de madera en agua durante por lo menos 30 minutos antes de usarlas. (La madera húmeda producirá más sabor a ahumado.) Coloque un puñado de astillas de madera o unos cuantos trozos grandes en el fondo del cuerpo del ahumador (1). En la medida que usted gane experiencia ahumando, incremente o reduzca la cantidad de madera para ajustarla a su gusto.

Nota: Siempre ase con la tapa cerrada para permitir que el humo penetre la comida a fondo. Encienda el quemador del ahumador siguiendo las instrucciones dadas en "ENCENDIDO DEL QUEMADOR DEL AHUMADOR". Una vez que la madera empiece a arder, ajuste la perilla de control a una llama baja.

El humo comenzará a producirse en aproximadamente 10 minutos y puede llegar a durar unos 45 minutos. Si requiere un sabor más ahumado, rellene el ahumador con astillas y/o trozos de madera. Mantenga la tapa del asador cerrada mientras cocine.

Nota: después de volver a llenar el ahumador, tardará 10 a 15 minutos en comenzar a humear de nuevo. El ahumador puede usarse para realzar las recetas de carnes, aves y pescados. Cocine con la tapa cerrada de acuerdo con los tiempos indicados en las tablas o las recetas.



⚠ PELIGRO

No use ningún líquido inflamable en el ahumador para encender la madera. Esto causará serias lesiones corporales. ♦

LIMPIEZA DEL AHUMADOR

Antes de cada uso, vacíe las cenizas del ahumador para permitir el flujo apropiado de aire.

Nota: El ahumar dejará un residuo de "humo" sobre la superficie del ahumador. Este residuo no se puede eliminar y no afectará el funcionamiento del ahumador. En menor grado, un residuo de "humo" se acumulará dentro de su asador de gas. Este residuo no necesita quitarse y no afectará adversamente al funcionamiento de la barbacoa de gas. ♦

ENCENDIDO Y USO DEL QUEMADOR DEL ASADOR GIRATORIO

ENCENDIDO DEL QUEMADOR DEL ASADOR GIRATORIO

Encendido rápido del quemador del asador giratorio

Nota: Cada perilla de control de encendido rápido crea una chispa que va del electrodo de encendido al tubo quemador de encendido. Al presionar la perilla de control y girarla a ENCENDIDO/FUEGO ALTO, usted genera la energía para la chispa. Esto encenderá cada quemador individual.

⚠ ATENCIÓN: LÉALO ANTES DE ENCENDER EL QUEMADOR DEL ASADOR GIRATORIO

Tras cualquier tiempo sin uso, antes de encender el quemador del asador giratorio, deben pasar unos cuantos segundos para que se llene la línea de suministro de gas. Al usar el encendedor rápido, verá un fogonazo de llamas moviéndose de derecha a izquierda a lo largo de la superficie del quemador del asador giratorio; éste no estará encendido hasta tanto toda la superficie cerámica esté en llamas. En este momento, inicie un conteo de 20 segundos antes de soltar la perilla de control del quemador del asador giratorio. La superficie del quemador del asador giratorio estará al rojo vivo una vez esté totalmente encendido.

⚠ PELIGRO

El no abrir la tapa mientras se esté encendiendo la barbacoa, o no esperar 5 minutos para permitir que el gas se disipe si la barbacoa no se enciende, puede resultar en una llamarada explosiva, la cual puede causar lesiones corporales serias o la muerte.

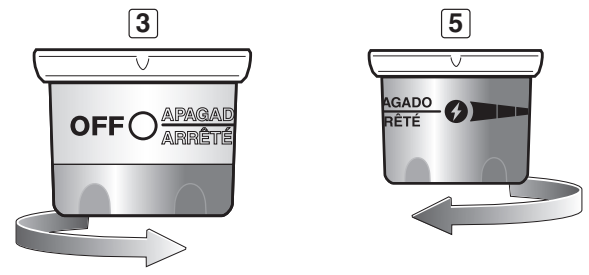
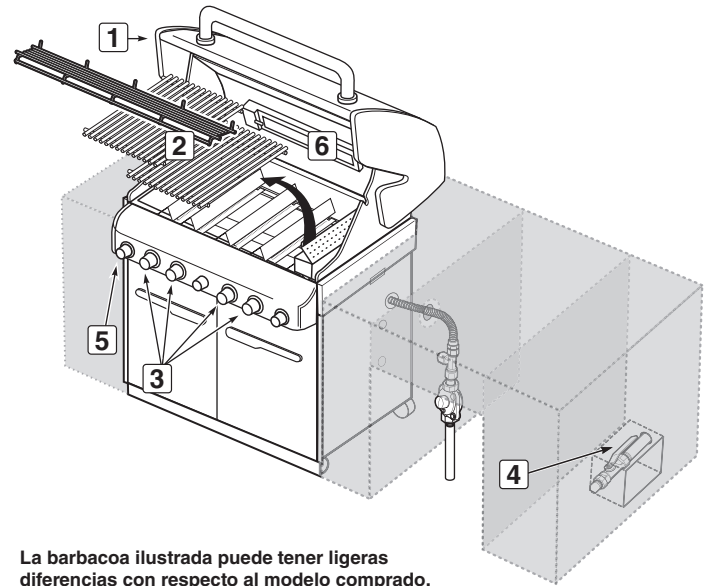
- ⚠ **PRECAUCIÓN:** La llama del quemador del asador giratorio puede ser difícil de ver en un día brillantemente soleado.
- ⚠ **ADVERTENCIA:** Inspeccione la manguera previo a cada uso de la barbacoa y asegúrese de que no tenga muescas, grietas, abrasiones o cortes. Si se encontrase que la manguera estuviese dañada de cualquier manera, no utilice la barbacoa. Reemplácela solamente con una manguera de repuesto autorizada por Weber®. Contacte al Representante de Atención al Cliente en su área utilizando la información de contacto en nuestro sitio web. Conéctese a www.weber.com®.

- A) Abra la tapa (1).
- B) Retire la rejilla de calentamiento y la parrilla de cocción de la caja de cocción (2).
- C) Asegúrese de que todas las perillas de control de los quemadores estén en la posición APAGADO (Presione la perilla de control y gire en dirección de las agujas del reloj para asegurarse de que esté en la posición APAGADO. (3)
- D) Abra el gas en la fuente del mismo (4).

- ⚠ **ADVERTENCIA:** No se incline sobre la barbacoa abierta.
- E) Presione la perilla de control del quemador y gírela hacia ENCENDIDO/FUEGO ALTO (5). Esta acción hará que el encendedor chispee y encienda el quemador del asador giratorio. Continúe usando el encendedor rápido hasta que el quemador del asador giratorio se haya encendido. Continúe presionando a la perilla de control unos veinte segundos más después de que el quemador se haya encendido. Suelte la perilla de control.
- F) Verifique que el quemador esté encendido revisando que el quemador del asador giratorio esté al rojo vivo (6).

- ⚠ **ADVERTENCIA:** Si el quemador del asador giratorio no se enciende, gire la perilla del control del quemador a la posición APAGADO y espere cinco minutos para permitir que el gas se disipe antes de tratar de nuevo o de que usted trate de encenderlo con un cerillo.

Nota: Cuando se use el asador con la tapa cerrada, solamente encienda dos de los quemadores principales a cada lado de los alimentos (vea los Métodos de asar - Cocción indirecta). Revise periódicamente sus alimentos para prevenir que se cocinen de más en la parte externa. Una vez que el alimento se haya dorado al color deseado, apague el quemador del asador giratorio. Termine de asarlo con calor indirecto. ♦



PARA APAGAR

Presione la perilla de control del quemador del asador giratorio y gírela en la dirección de las agujas del reloj a la posición APAGADO. Cierre el suministro de gas en la fuente del mismo. ♦

ENCENDIDO Y USO DEL QUEMADOR DEL ASADOR GIRATORIO

ENCENDIDO MANUAL DEL QUEMADOR DEL ASADOR GIRATORIO

⚠ ATENCIÓN: LÉALO ANTES DE ENCENDER EL QUEMADOR DEL ASADOR

Tras de un tiempo sin haberse utilizado, antes de encender el quemador del asador giratorio, deben pasar unos cuantos segundos para que se llene la línea de suministro de gas. Al encender el quemador del asador giratorio con un cerillo, usted verá un fogonazo de llamas moviéndose de derecha a izquierda a lo largo de la superficie del quemador del asador giratorio; el asador giratorio no estará encendido hasta tanto toda la superficie cerámica esté en llamas. En este momento, inicie un conteo de 20 segundos antes de soltar la perilla de control del quemador del asador. La superficie del quemador del asador estará al rojo vivo una vez esté totalmente encendido.

⚠ PELIGRO

El no abrir la tapa mientras se esté encendiendo el quemador de la parrilla, o no esperar cinco minutos para permitir que el gas se disipe si la parrilla no se enciende, puede resultar en una llamarada explosiva, la cual puede causar lesiones corporales serias o la muerte.

- ⚠ **PRECAUCIÓN:** La llama del quemador del asador giratorio puede ser difícil de ver en un día brillantemente soleado.
- ⚠ **ADVERTENCIA:** Inspeccione la manguera previo a cada uso de la barbacoa y asegúrese de que no tenga muescas, grietas, abrasiones o cortes. Si se encontrase que la manguera estuviese dañada de cualquier manera, no utilice la barbacoa. Reemplácela solamente con una manguera de repuesto autorizada por Weber®. Contacte al Representante de Servicios al Cliente en su área utilizando la información de contacto en nuestro sitio web. Conéctese a www.weber.com®.

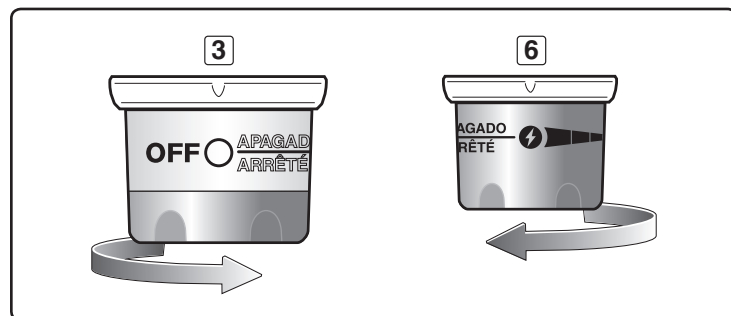
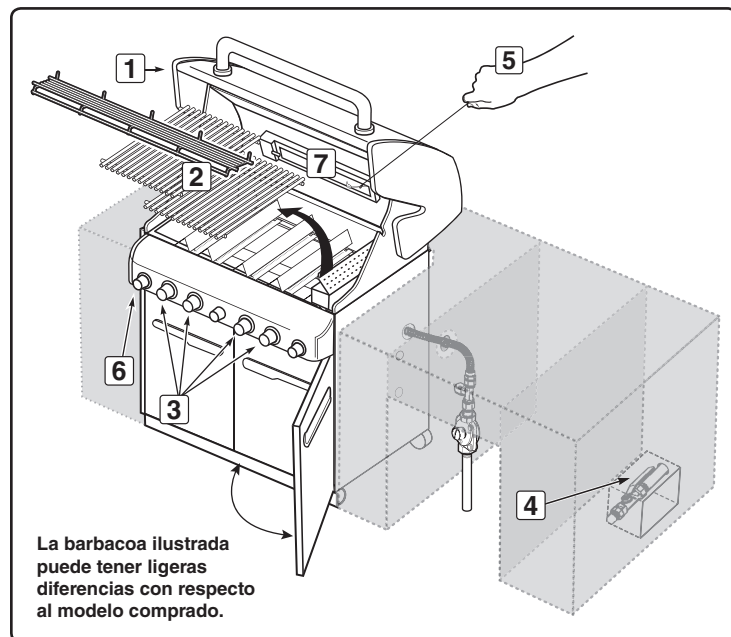
- A) Abra la tapa (1).
- B) Retire de la caja de cocción la rejilla para calentar y las parrillas de cocción (2).
- C) Asegúrese de que todas las perillas de control de los quemadores estén en la posición APAGADO (Presione la perilla de control y gírela en dirección de las agujas del reloj para asegurarse de que esté en la posición APAGADO) (3).
- D) Abra el gas en la fuente del mismo (4).
- E) Coloque un cerillo en el portacerillos y enciéndalo.
- F) Agarre el portacerillos y encienda con el cerillo por el lado derecho del quemador lateral (5).

- ⚠ **ADVERTENCIA:** No se incline sobre la barbacoa abierta.
- G) Presione la perilla de control del quemador del asador giratorio y gírela hacia ENCENDIDO/FUEGO ALTO (6). Continúe presionando a la perilla de control unos veinte segundos más después de que el quemador se haya encendido.
- H) Verifique que el quemador esté encendido revisando que el quemador del asador giratorio esté al rojo vivo (7).
- ⚠ **ADVERTENCIA:** Si el quemador del ahumador no se enciende, gire la perilla del control del quemador a la posición APAGADO y espere cinco minutos para permitir que el gas se disipe antes de tratar de nuevo.

Nota: Cuando se use el asador giratorio con la tapa cerrada, solamente encienda dos de los quemadores principales a cada lado de los alimentos (vea los Métodos de asar - Cocción indirecta). Revise periódicamente sus alimentos para prevenir que se cocinen de más en la parte externa. Una vez que el alimento se haya dorado al color deseado, apague el quemador del asador giratorio. Termine de asarlo con calor indirecto. ♦

PARA APAGAR

Presione la perilla de control del quemador del asador y gírela en la dirección de las agujas del reloj a la posición APAGADO. Cierre el suministro de gas en la fuente del mismo. ♦



ENCENDIDO Y USO DEL QUEMADOR DEL ASADOR GIRATORIO

MEDIDAS PREVENTIVAS IMPORTANTES

Nota: Antes de usar el asador giratorio, mida el alimento a asar en su punto más ancho. Si éste excede de 9½" (241.8 mm), entonces es demasiado grande para que quepa en el asador giratorio. Si es demasiado grande, la comida puede prepararse usando un sostenedor de asado y el método de Cocción Indirecta.

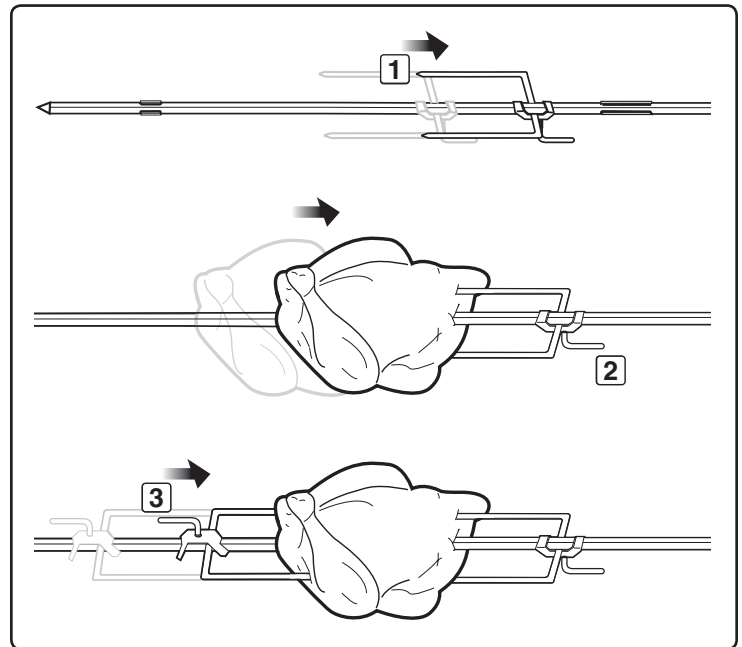
⚠ ADVERTENCIAS

- ⚠ Por favor lea cuidadosamente las instrucciones antes de utilizar el asador giratorio.
- ⚠ Este asador giratorio debe usarse solamente al aire libre.
- ⚠ Retire el motor y almacénelo en un lugar seco cuando no esté en uso.
- ⚠ No toque las superficies calientes. Use guantes protectores para barbacoas.
- ⚠ Este asador giratorio no debe ser usado por niños.
- ⚠ Como protección contra riesgos eléctricos no sumerja el cable, enchufes, o motor en agua u otros líquidos.
- ⚠ Desenchufe el motor cuando no esté en uso, o antes de limpiar.
- ⚠ No use el asador giratorio para ningún otro uso que no sea para el cual está diseñado.
- ⚠ Asegúrese de que el motor esté apagado antes de colocarlo sobre el soporte del mismo.
- ⚠ No opere el motor del asador giratorio con el cable eléctrico o el enchufe dañado.
- ⚠ No opere el motor del asador giratorio si éste está fallando.
- ⚠ El motor del asador giratorio está equipado con un cordón eléctrico de tres clavijas (conectado a tierra) para su protección contra descargas eléctricas.
- ⚠ El cordón eléctrico deberá enchufarse directamente a un enchufe para tres clavijas debidamente conectado a tierra. Si se requiere el uso de un cable de extensión, asegúrese de que sea por lo menos de 1,3mm 2x3 hilos, bien aislado, y específicamente para uso en exteriores y debidamente conectado a tierra.
- ⚠ Cuando se use una extensión eléctrica, asegúrese de que no haga contacto con ninguna superficie caliente o filosa.
- ⚠ Los cables de extensión para exteriores deberán estar marcados con las letras "W-A" y una etiqueta que diga "Apto para usarse con artefactos para exteriores".
- ⚠ No corte o elimine la clavija de conexión a tierra del cordón eléctrico del motor del asador giratorio.
- ⚠ No permita que el cordón eléctrico cuelgue sobre ningún borde filoso o superficie caliente.
- ⚠ No lo exponga a la lluvia.
- ⚠ Para reducir el riesgo de descargas eléctricas, mantenga la extensión eléctrica seca y levantada del suelo.
- ⚠ Se suministra un cordón de suministro eléctrico corto para minimizar el riesgo de tropezar con el mismo y caerse. Los cables de extensión pueden usarse, pero debe tomarse la debida precaución para prevenir que se tropiece con ellos.
- ⚠ En caso de no existir códigos locales, el motor del asador giratorio deberá conectarse a tierra de acuerdo con el Código Eléctrico Nacional, ANSI/NFPA 70, o el Código Eléctrico Canadiense, CSA C22.1. ♦

OPERACIÓN DEL ASADOR GIRATORIO

⚠ **ADVERTENCIA:** Coloque el alimento en el asador giratorio antes de encender el quemador del mismo.

- A) Enchufe el cordón eléctrico en la fuente de alimentación eléctrica.
- ⚠ **PRECAUCIÓN:** No pase el cordón eléctrico del motor del asador giratorio a través de la abertura retráctil del asador en la mesa lateral.
- ⚠ **PRECAUCIÓN:** Inspeccione el cordón eléctrico antes de cada uso. Si el cordón está dañado, no lo use. Contacte al Representante de Servicios al Cliente en su área utilizando la información de contacto en nuestro sitio web. Conéctese a www.weber.com.
- B) Deslice una de las horquillas del asador hacia el lado derecho del eje del asador, asegurándose de que las púas queden de cara a la izquierda y el tornillo de la horquilla quede boca abajo (1).
- C) Empuje el eje del asador a través del centro del alimento. Inserte los dientes de ambas horquillas en el alimento. El alimento deberá estar centrado sobre el eje. Apriete los tornillos de las horquillas del asador (2).
- D) Deslice otra horquilla del asador sobre el eje del asador, asegurándose de que las púas queden de cara a la derecha y el tornillo de la horquilla quede boca abajo. Inserte los dientes de ambas horquillas dentro de la comida. Apriete el tornillo de la horquilla (3).



ENCENDIDO Y USO DEL QUEMADOR DEL ASADOR GIRATORIO

- E) Inserte el extremo puntiagudo del eje del asador dentro del motor. Baje el espetón del asador giratorio dentro de las ranuras en la caja de cocción (4).
- F) El eje del asador giratorio deberá girar de tal manera que el lado pesado de la carne o ave gire hacia el fondo. Los cortes grandes quizás requieran retirar las parrillas de cocción y la rejilla para calentar a fin de permitir la rotación completa del eje. Si fuese necesario para lograr un mejor balance, vuelva a colocar el alimento de nuevo.
- G) Encienda el motor. ♦

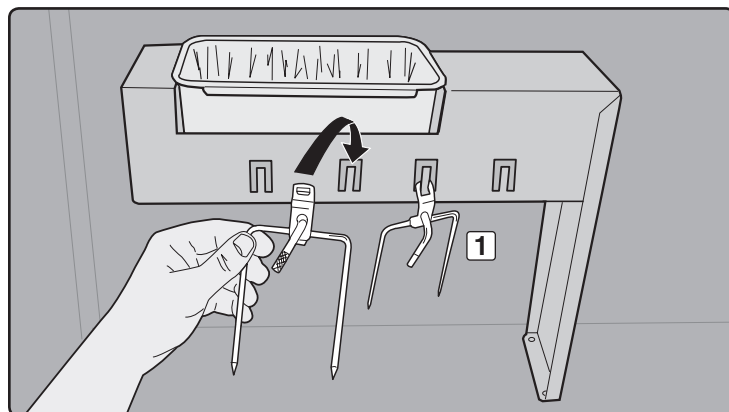
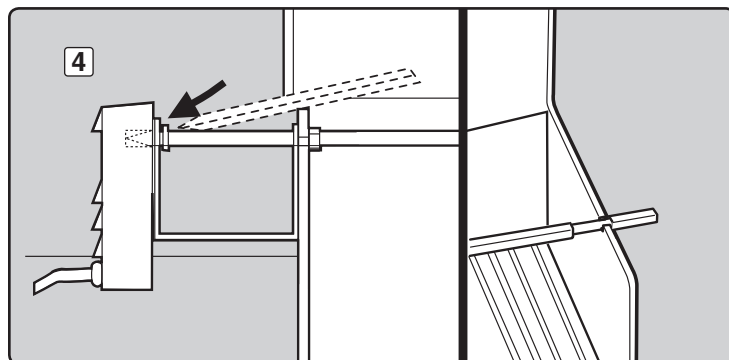
COCCIÓN CON EL ASADOR GIRATORIO

- Las carnes (excepto las aves y la carne molida) deberán dejarse llegar a la temperatura ambiente antes de cocinarlas. (20 a 30 minutos deberán ser suficientes para la mayoría de los alimentos. Si están congelados, descongéelos completamente antes de cocinar.)
- Si fuese necesario, ate la carne o las aves con un cordel para darles la forma más uniforme posible antes de colocarlas en el asador.
- Retire las parrillas de cocción y la rejilla para calentar a fin de permitir que la comida gire libremente.
- Siga las instrucciones de encendido para el quemador del asador giratorio.
- Fije el quemador del asador a fuego medio a alto en función de la temperatura al aire libre.
- Coloque el alimento dentro del área del quemador.
- Si desea guardar la grasa que se escurre como salsa para la carne, coloque una bandeja de goteo encima de las barras Flavorizer® y directamente debajo del alimento.
- Los pasos de preparación de la comida para asarla son los mismos que para la cocción normal.
- Toda la cocción deberá llevarse a cabo con la tapa cerrada.
- Si los alimentos son demasiado pesados o de formas irregulares, podrá ocurrir que no giren bien y deberán cocinarse mediante el Método Indirecto sin usar el asador.
- Se puede usar el ahumador en conjunción con el asador para dar un sabor más ahumado.

Nota: Cuando se usa el quemador del asador, el termómetro de la barbacoa no reflejará la temperatura dentro de la caja de cocción. ♦

ALMACENAJE DE LA HORQUILLA DEL ASADOR GIRATORIO

- A) Retire las horquillas del espetón del asador.
- B) Guarde las horquillas del asador giratorio colocándolas en los ganchos ubicados en el sujetador del plato recolector dentro del gabinete de la barbacoa (1). ♦



RESOLUCIÓN DE PROBLEMAS.

PROBLEMA	REVISAR	SOLUCIÓN
<p>La llama en los quemadores es de color amarillo o anaranjado, conjuntamente con olor a gas (esto es normal para el tubo encendedor del quemador).</p> <p>Síntomas:</p> <p>El quemador no se enciende, o la llama se mantiene baja en la posición fuego alto.</p>	Revise que no haya obstrucciones en las malla contra arañas e insectos. (Taponamiento de orificios.)	Limpie las mallas contra arañas e insectos (consulte "MANTENIMIENTO ANNUAL").
	¿Está doblada la manguera de combustible?	Enderece la manguera de combustible.
	¿Se enciende el quemador con un cerillo?	Limpie los quemadores (consulte "MANTENIMIENTO").
	¿Utilizó el encendedor de chasquido varias veces hasta la que el quemador principal se encendió? (consulte "ENCENDIDO DEL QUEMADOR PRINCIPAL")	Asegúrese de mantener presionada la perilla de control durante dos segundos después de accionar el encendedor y ver la llama anaranjada proveniente del tubo encendedor de los quemadores.
<p>Se producen llamaradas:</p> <p>⚠ PRECAUCIÓN: No forre la bandeja del fondo con hoja de aluminio.</p>	¿Está precalentando la barbacoa de la manera prescrita?	Coloque a todos los quemadores en FUEGO ALTO durante 10 a 15 minutos para precalentar la barbacoa.
	¿Están las parrillas de cocción y las barras Flavorizer® recubiertas con una capa gruesa de grasa quemada?	Límpielas a fondo (consulte "LIMPIEZA").
	¿Está la bandeja del fondo "sucia" y no deja que la grasa fluya al plato recolector?	Limpie la bandeja del fondo.
El quemador produce llamas con un patrón errático. La llama se mantiene baja cuando el quemador está en FUEGO ALTO. Las llamas no corren a lo largo de todo el tubo del quemador.	¿Están limpios los quemadores?	Limpie los quemadores (consulte "MANTENIMIENTO").
La parte interna de la tapa pareciera estar "pelándose". (Se parece al desprendimiento de pintura.)	La tapa está porcelanizada o es de acero inoxidable y no está pintada. No puede "pelarse". Lo que está viendo es grasa asada que se ha convertido en carbón y se está descascarando. ESTO NO ES UN DEFECTO.	Límpielas a fondo (consulte "LIMPIEZA").
Las puertas del gabinete no están alineadas.	Revise el perno de ajuste en la parte inferior de cada puerta.	Afloje la(s) tuerca(s) de ajuste. Deslice la(s) puerta(s) hasta quedar alineada(s). Apriete la tuerca.
<p>Si los problemas no pueden corregirse usando cualquiera de estos métodos, por favor contacte al Representante de Atención al Cliente en su área usando la información de contacto en nuestro sitio web. Conéctese a www.weber.com®.</p>		

RESOLUCIÓN DE PROBLEMAS DE LA ESTACIÓN DE DORADO®

PROBLEMA	REVISAR	SOLUCIÓN
<p>Los quemadores están quemando con una llama amarilla o anaranjada, conjuntamente con un olor a gas (esto es normal para el tubo de encendido del quemador).</p> <p>El quemador de la estación de dorado Sear Station® no se enciende.</p>	<p>Revise que no haya obstrucciones en la malla contra arañas e insectos. (Taponamiento de orificios.)</p>	<p>Limpie las mallas contra arañas e insectos (consulte "MANTENIMIENTO ANUAL").</p>
	<p>¿Encendió usted los dos quemadores principales adyacentes (Consulte las instrucciones de "ENCENDIDO Y USO DE LA ESTACIÓN DE DORADO SEAR STATION®" para el procedimiento de encendido seguro)</p>	<p>Confirme visualmente la presencia de llamas que indiquen que los quemadores principales adyacentes se han encendido.</p> <p>⚠ ADVERTENCIA: Si no se encendiese en cinco segundos, apague el control del quemador (posición APAGADO), y espere cinco minutos para que el gas se despeje antes de intentarlo de nuevo.</p>
	<p>¿Se enciende el quemador con un cerillo?</p>	<p>Si usted puede encender el quemador con un cerillo, entonces revise el canal Crossover® en el quemador de dorado (consulte "MANTENIMIENTO" para el procedimiento de cómo retirar y limpiar el quemador).</p>
	<p>¿Funciona el encendedor? (¿Observa una chispa cuando acciona repetidamente al encendedor?)</p>	<p>Intente encender manualmente el quemador (consulte "ENCENDIDO Y USO DE LA ESTACIÓN DE DORADO SEAR STATION®"). Llame a atención al cliente.</p>
<p>Si los problemas no pueden corregirse usando cualquiera de estos métodos, por favor contacte al Representante de Atención al Cliente en su área usando la información de contacto en nuestro sitio web. Conéctese a www.weber.com®.</p>		

RESOLUCIÓN DE PROBLEMAS DEL ASADOR GIRATORIO

PROBLEMA	REVISAR	SOLUCIÓN
<p>El quemador del asador giratorio no se enciende</p>	<p>¿Mantuvo usted presionada la perilla de control del quemador durante 20 segundos después de haberse encendido?</p>	<p>Trate de volver a encender el quemador manteniendo presionada la perilla de control del quemador hasta encenderse y continuar manteniéndola presionada hasta 20 segundos después de haberse encendido.</p>
	<p>¿Esperó usted hasta ver que toda la superficie de cerámica se encendiera antes de empezar a contar los 20 segundos?</p>	<p>Cuando vuelva a encender el quemador manteniendo presionada la perilla de control del mismo, espere a que vea la superficie de cerámica entera encendida antes de empezar a contar los 20 segundos.</p>
	<p>¿Usó repetidamente el encendedor rápido hasta que el encendedor se prendiese?</p>	<p>Después de esperar cinco minutos para que se disipe el gas, trate de usar repetidamente el encendedor rápido hasta que el quemador de encienda (consulte "ENCENDIDO Y USO DEL QUEMADOR DEL ASADOR GIRATORIO").</p>
	<p>¿Funciona el encendedor? ¿Ve una chispa cuando usa repetidas veces el encendedor rápido?</p>	<p>Intente encender manualmente el quemador (consulte "ENCENDIDO MANUAL DEL QUEMADOR DEL ASADOR GIRATORIO"). Llame la atención al cliente.</p>
<p>Si los problemas no pueden corregirse usando cualquiera de estos métodos, por favor contacte al Representante de Atención al Cliente en su área usando la información de contacto en nuestro sitio web. Conéctese a www.weber.com®.</p>		

RESOLUCIÓN DE PROBLEMAS DE LA LUZ DEL ASA GRILL OUT™

PROBLEMA	REVISAR	SOLUCIÓN
<p>La lámpara del asa Weber Grill Out™ no se enciende.</p>	<p>¿Están gastadas las baterías?</p>	<p>Reemplace las baterías.</p>
	<p>¿Están correctamente instaladas las baterías?</p>	<p>Vea la ilustración de ensamblaje.</p>
	<p>¿Está la tapa abierta hasta arriba con el botón de encendido energizado?</p>	<p>La lámpara se activará cuando la tapa esté abierta.</p>
	<p>¿Está activada la luz del asa Weber Grill Out™?</p>	<p>Pulse el botón de encendido.</p>
	<p>¿Está la lámpara del asa Weber Grill Out™ colocada correctamente sobre el asa?</p>	<p>Ajuste su posición (vea la ilustración de ensamblaje).</p>
<p>Si los problemas no pueden corregirse usando cualquiera de estos métodos, por favor contacte al Representante de Atención al Cliente en su área usando la información de contacto en nuestro sitio web. Conéctese a www.weber.com®.</p>		

LIMPIEZA

- ⚠ **ADVERTENCIA:** Apague la barbacoa de gas Weber® y espere a que se enfríe antes de limpiarla.
- ⚠ **PRECAUCIÓN:** No limpie las barras Flavorizer® o las parrillas cocción en un horno autolimpiante.

Superficies Externas - Utilice una solución de agua jabonosa tibia para limpiarlas y luego enjuáguelas con agua.

- ⚠ **PRECAUCIÓN:** Sobre la superficie de la barbacoa o del carro no utilice limpiadores de horno, limpiadores abrasivos (limpiadores de cocinas), limpiadores que contengan productos cítricos, o almohadillas de limpieza abrasivas.

Deslice hacia afuera la bandeja del fondo - Retire el exceso de grasa, luego lávela con agua jabonosa tibia y finalmente enjuáguela.

- ⚠ **PRECAUCIÓN:** No forre la bandeja deslizante para la grasa con papel aluminio.

Barras Flavorizer® y rejillas de cocción - Límpielas con un cepillo de cerdas de acero inoxidable adecuado. Según se requiera, retírela de la barbacoa y lávela con agua jabonosa tibia y luego enjuáguela con agua.

Para averiguar donde comprar las parrillas de cocción y las barras Flavorizer® de reemplazo, contacte al Representante de Atención al Cliente en su área usando la información de contacto en nuestro sitio web. Conéctese a www.weber.com.

Plato recolector - Hay disponibles bandejas desechables de lámina de metal, o usted mismo puede forrar el plato recolector con papel aluminio. Para limpiar el plato recolector, lávelo con agua jabonosa tibia y luego enjuague.

Termómetro - Pásele un trapo con agua tibia jabonosa, y límpielo con una pelota plástica de fregar.

Caja de cocción - Quite cualquier resto de los tubos del quemador. NO AGRANDE LAS ABERTURAS DE LOS QUEMADORES. Lave la parte interior de la caja de cocción con agua jabonosa y luego enjuáguela con agua.

Tapa interna - Mientras la tapa esté tibia, limpie la parte interna con una toalla de papel para prevenir la acumulación de grasa. La grasa acumulada escamada se asemeja a las escamas de pintura.

Superficies de acero inoxidable - Lávelas con un paño suave y una solución de agua y jabón. Tenga cuidado de fregarlas en la dirección del grano del acero inoxidable.

No utilice limpiadores que contengan ácido, destilado de petróleo o xileno. Enjuáguelas bien después de lavarlas.

Preserve su acero inoxidable - La barbacoa o su gabinete, tapa, panel de control y estantes pudieran estar hechos de acero inoxidable. Es sencillo mantener vistoso al acero inoxidable. Límpielo con agua y jabón, enjuáguelo con agua limpia y séquelo con un trapo. Para partículas difíciles de sacar, se puede usar un cepillo no metálico.

- ⚠ **IMPORTANTE:** No utilice cepillos de alambre o limpiadores abrasivos sobre las superficies de acero inoxidable ya que las rayarán.
- ⚠ **IMPORTANTE:** Al limpiar las superficies asegúrese de frotar/restregar en la dirección del grano para preservar la vistosidad del acero inoxidable. ♦

MALLAS WEBER® CONTRA ARAÑAS E INSECTOS

La barbacoa de gas Weber®, al igual que cualquier otro aparato de gas al aire libre, es un blanco para las arañas y demás insectos. Pueden crear sus nidos en la sección del venturi (1) del tubo quemador. Esto bloquea el flujo normal de gas, y puede causar que el gas fluya hacia atrás por la válvula de aire de combustión. Esto puede resultar en un fuego en y alrededor de las aberturas para el aire de combustión, causando un daño serio a la barbacoa.

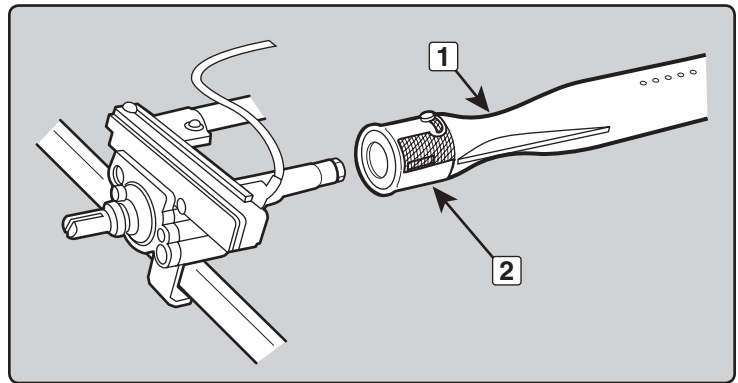
La compuerta de cierre del aire del tubo quemador está equipada con una malla (2) de acero inoxidable para prevenir la entrada de arañas e insectos a los tubos quemadores a través de las aberturas para el aire de combustión.

Le recomendamos que inspeccione las mallas contra arañas e insectos por lo menos una vez al año (vea "MANTENIMIENTO ANUAL"). También, inspeccione y limpie dichas mallas si cualquiera de los siguientes síntomas se presentase:

- A) Olor a gas en conjunción con llamas del quemador con un apariencia muy amarilla y floja.
- B) La barbacoa no alcanza la temperatura de funcionamiento.
- C) La barbacoa se calienta de manera dispareja.
- D) Uno o más quemadores no se encienden.

⚠ PELIGRO

El no corregir estos síntomas pudiera resultar en un fuego que puede causar lesiones corporales serias o la muerte y daños a la propiedad. ♦



LIMPIEZA DE TUBO DE QUEMADOR

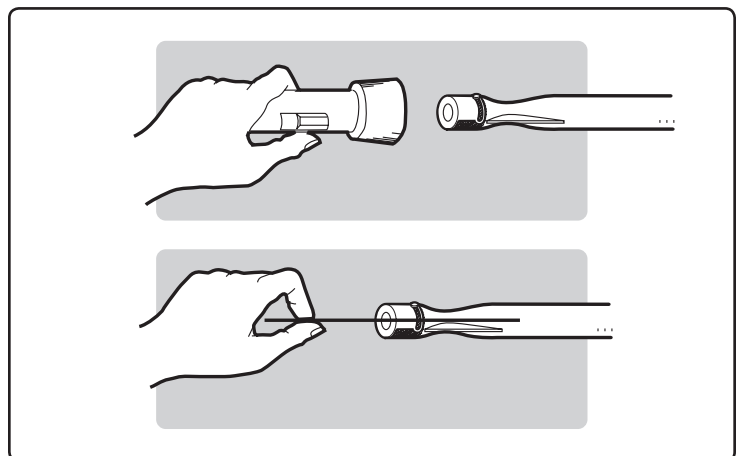
Cierre el suministro de gas.

Retire el múltiple (vea "REEMPLACE LOS QUEMADORES PRINCIPALES").

Revise la parte interna de cada quemador con una linterna.

Limpie la parte interna de los quemadores con un alambre (un colgador de ropa enderezado funcionará bien). Revise y limpie la abertura de las compuertas de cierre del aire en los extremos de los quemadores. Revise y limpie los orificios de las válvulas en la base de las válvulas. Utilice un cepillo de cerdas de acero para limpiar la parte externa de los quemadores. Esto se hace para asegurarse de que las aberturas de los quemadores estén completamente abiertas.

- ⚠ **PRECAUCIÓN:** Al limpiar, no agrande las aberturas del quemador. ♦

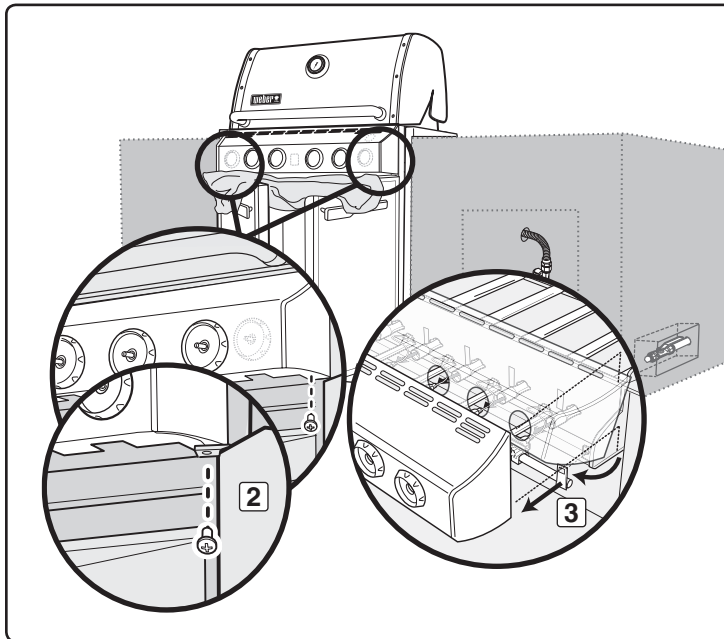
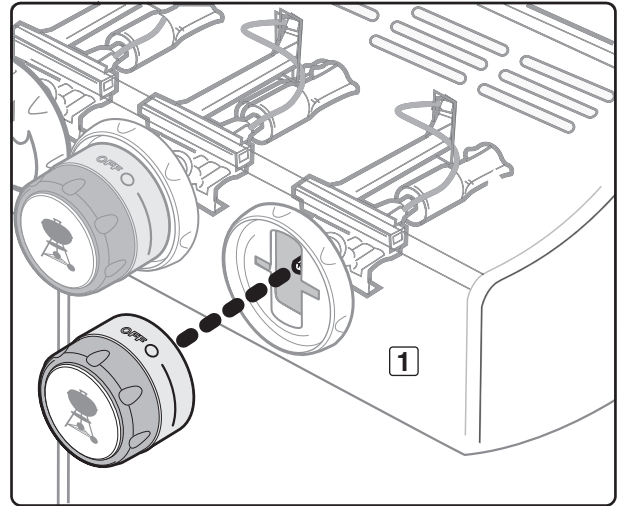


REEMPLAZO DE LOS QUEMADORES PRINCIPALES

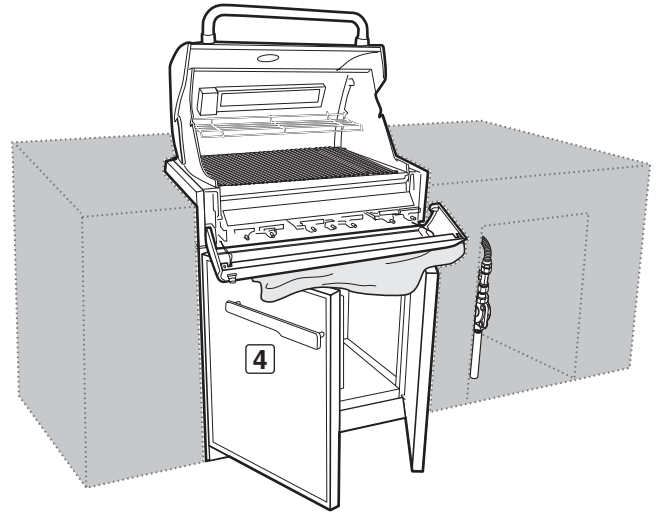
- A) Su barbacoa de gas Summit® debe estar apagada y fría.
- B) Cierre el gas en la fuente.
- C) Desconecte el suministro de gas.
- D) Retire las parrillas de cocción.
- E) Retire las barras Flavorizer®.
- F) Retire la caja de ahumado (si está incluida en su modelo).

Retire el panel de control

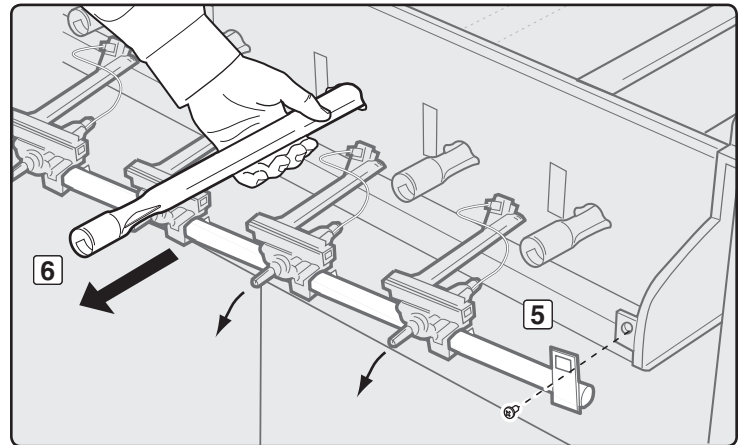
- A) Piezas requeridas: destornillador Phillips y una toalla.
 - a) Retire las perillas de control del quemador (1).
 - b) Abra ambas puertas y coloque una toalla sobre la parte superior de las mismas. **Esto evitará que el panel de control y las partes superiores de las puertas se rayen en el próximo paso.**
 - c) Con un destornillador Phillips, retire los tornillos en la parte inferior del panel de control (2).
 - d) Incline el panel de control hacia delante y levántelo halándolo en dirección contraria a la barbacoa (3) (Para los modelos Summit® con funciones LED: tenga cuidado de no romper o desconectar los cables de los LED del panel de control).
 - e) Coloque el panel de control sobre la toalla que cubre los ensamblajes de las puertas (4).



La barbacoa ilustrada puede tener ligeras diferencias con respecto al modelo comprado.



- B) Retire los dos tornillos que fijan el múltiple a la caja de cocción. Hale el ensamblaje del múltiple fuera del bastidor del mismo (5).
- C) Hale del bastidor del múltiple los tubos quemadores seleccionados y reemplácelos con los tubos quemadores nuevos (6).



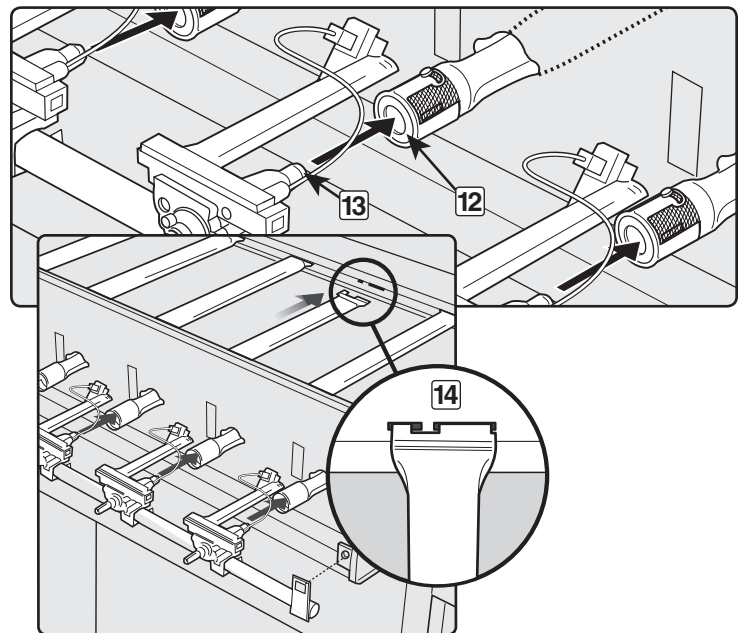
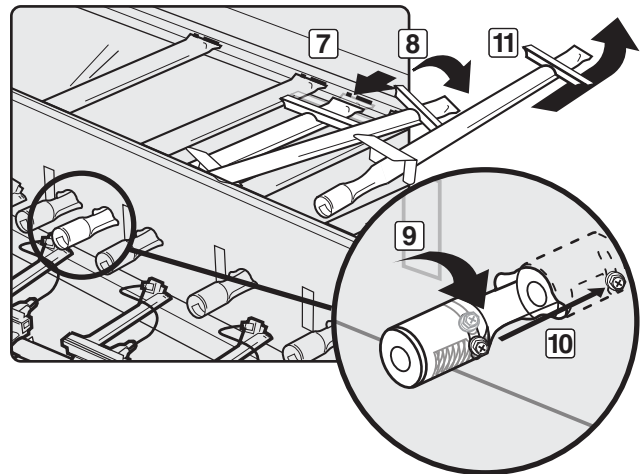
Cómo sacar el quemador de la estación para dorar Sear Station®

Para sacar el quemador de la estación para dorar Sear Station®, hale el tubo quemador hacia usted. Eso lo saca de la muesca del tubo quemador (7). Luego gire el tubo en dirección de las agujas del reloj (8), cercionándose de girarlo de tal manera que el tornillo en el extremo del tubo (9) pase a través de la muesca en la abertura de la pantalla térmica (10) Cuando el tubo del quemador quede liberado, sáquelo del hogar de la barbacoa (11).

A) Para reinstalar el ensamblaje del múltiple, reverse los pasos G al I.

⚠ **PRECAUCIÓN:** Los agujeros del quemador (12) deben colocarse correctamente sobre los orificios de las válvulas (13). Asegúrese de que los extremos opuestos de los tubos quemadores (14) estén debidamente alineados en las ranuras del lado posterior de la caja de cocción. Antes de atornillar el múltiple en su sitio, verifique que esté correctamente ensamblado.

⚠ **ADVERTENCIA:** Tras reinstalar las líneas de gas y antes de usar la barbacoa, dichas líneas deberán inspeccionarse con una solución de agua y jabón para verificar de que no existan fugas de gas. (Vea “Compruebe que no haya fugas de gas.”) ♦



MANTENIMIENTO ANUAL

Inspección y limpieza de la malla contra arañas y demás insectos

Para inspeccionar la malla contra arañas y demás insectos, retire el panel de control. Si hubiese polvo o sucio sobre las mallas, retire los quemadores para limpiar las mallas.

Con un cepillo de cerdas suaves (p.ej.: un cepillo de dientes viejo), cepille suavemente las mallas contra arañas y demás insectos.

⚠ PRECAUCIÓN: No limpie las mallas contra arañas y demás insectos con herramientas duras o afiladas. No las desmonte ni agrande los orificios de las mismas.

Golpee ligeramente el quemador para sacar la basura y suciedad fuera del tubo quemador. Una vez limpios, vuelva a colocar las mallas y quemadores en su sitio.

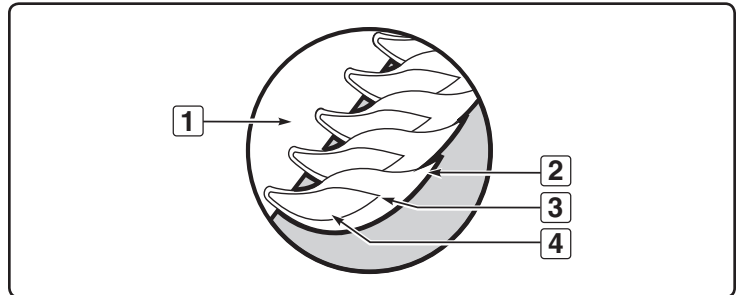
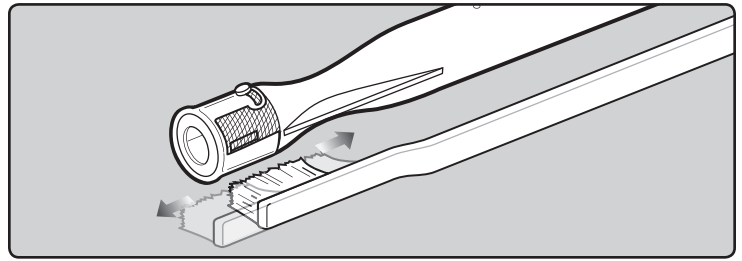
Si la malla contra arañas y demás insectos se dañase o no pudiese limpiarse, por favor póngase en contacto con el Representante de Servicios al Cliente de su zona, cuya datos de contacto encontrará en nuestro sitio en la Internet. Conéctese a www.weber.com.

Patrón de la llama del quemador

Los quemadores de la barbacoa de gas Weber® han sido ajustados en la fabrica para que les entre la mezcla correcta de aire y gas. Acá se muestra el patrón correcto de la llama.

- A) Tubo quemador (1)
- B) Las puntas ocasionalmente titilarán con un color amarillo (2)
- C) Azul claro (3)
- D) Azul oscuro (4)

Si las llamas no se presentan de manera uniforme a lo largo del tubo quemador, siga las instrucciones de limpieza del quemador. ♦



SUMMIT®



GRILL A GAZ

Manuel de l'utilisateur du
grill au gaz naturel intégré

460 - NG

#56576



**VOUS DEVEZ LIRE CE MODE D'EMPLOI
AVANT D'UTILISER VOTRE GRILL A GAZ.**

⚠ DANGER

S'il y a une odeur de gaz :

1. Coupez l'admission de gaz de l'appareil.
2. Éteindre toute flamme nue.
3. Ouvrir le couvercle.
4. Si l'odeur persiste, éloignez-vous de l'appareil et appelez immédiatement le fournisseur de gaz ou le service d'incendie.

Une fuite de gaz risque de provoquer un incendie ou une explosion susceptible d'occasionner des blessures graves, voire mortelles, ou des dégâts matériels.

⚠ AVERTISSEMENT :

1. Ne pas entreposer ni utiliser de l'essence ni d'autres vapeurs ou liquides inflammables dans le voisinage de l'appareil, ni de tout autre appareil.
2. Une bouteille de propane qui n'est pas raccordée en vue de son utilisation, ne doit pas être entreposée dans le voisinage de cet appareil ou de tout autre appareil.

⚠ MISE EN GARDE : Suivez toutes les procédures de détection des fuites de ce manuel avec soin avant d'utiliser la barbecue. Faites-le même si la barbecue a été assemblée par le revendeur.

NOTE A L'INTENTION DE L'INSTALLATEUR : Les présentes instructions doivent être remises au propriétaire et le propriétaire devrait les conserver pour les utiliser plus tard.

**CET APPAREIL A GAZ EST CONCU
POUR UNE UTILISATION EN EXTERIEUR
UNIQUEMENT.**

⚠ MISE EN GARDE : N'allumez pas cet appareil sans lire d'abord les sections traitant de L'ALLUMAGE DU BRULEUR de ce manuel.



565476

FC - FRENCH CANADIAN

⚠ DANGER

Le non respect des consignes intitulées Danger, Mise en garde et Attention contenues dans le présent Mode d'emploi peut entraîner une blessure grave ou la mort, ou un incendie ou une explosion provoquant des dommages à la propriété.

⚠ MISES EN GARDE

- ⚠ Ne stockez pas de bouteille de gaz propane liquide de rechange ou de bouteille de gaz propane liquide débranchée au-dessous ou à proximité de ce barbecue.
- ⚠ Un mauvais montage peut se révéler dangereux. Veuillez suivre les instructions de montage avec soin.
- ⚠ Après une période de stockage et/ou d'inutilisation, le barbecue à gaz Weber® devrait faire l'objet d'une vérification visant à détecter toute fuite et toute obstruction des brûleurs avant toute utilisation. Voir les instructions de ce manuel pour les procédures correctes.
- ⚠ N'utilisez pas le barbecue à gaz Weber® en cas de fuite.
- ⚠ N'utilisez pas de flamme pour détecter les fuites de gaz.
- ⚠ Aucune matière inflammable ne devrait jamais se trouver dans un rayon de 24 pouces par rapport à l'arrière ou aux côtés de votre barbecue à gaz Weber®.
- ⚠ Ne placez pas de bâche de protection de barbecue ni aucune matière inflammable sur la barbecue ou dans la zone de stockage au-dessous du barbecue.
- ⚠ Votre barbecue à gaz Weber® ne devrait jamais être utilisé par des enfants. Les pièces accessibles du barbecue peuvent atteindre une température très élevée. Maintenez les jeunes enfants à l'écart pendant son utilisation.
- ⚠ Vous devriez faire preuve d'une prudence raisonnable lorsque vous utilisez votre barbecue à gaz Weber®. Celui-ci sera très chaud pendant la cuisson ou le nettoyage et ne devrait jamais être laissé sans surveillance ni déplacé pendant son utilisation.
- ⚠ Si les brûleurs s'éteignent pendant l'utilisation, fermez toutes les valves de gaz. Ouvrez le couvercle puis patientez cinq minutes avant d'essayer de rallumer les brûleurs, en utilisant les instructions pour l'allumage.
- ⚠ N'utilisez pas de charbon de bois ni de pierres de lave dans votre barbecue à gaz Weber®.
- ⚠ Ne vous penchez jamais au-dessus du grill ouvert ou ne placez jamais les mains ou les doigts sur l'extrémité avant du boîtier de cuisson.
- ⚠ Si un feu de graisse se produisait, fermez tous les brûleurs et laissez le couvercle fermé jusqu'à ce que le feu s'éteigne.
- ⚠ N'élargissez pas les orifices des valves ou les ports des brûleurs lorsque vous nettoyez les valves ou les brûleurs.
- ⚠ Le barbecue à gaz Weber® devrait être nettoyé méticuleusement de façon régulière.

- ⚠ Le gaz propane liquide n'est pas du gaz naturel. La conversion ou la tentative d'utilisation de gaz naturel dans un appareil à propane liquide ou de gaz propane liquide dans un appareil à gaz naturel est dangereuse et annulera votre garantie.
- ⚠ Utilisez des gants pour barbecue résistants à la chaleur lorsque vous utilisez le barbecue.
- ⚠ Maintenez tout cordon électrique d'alimentation ainsi que le tuyau d'alimentation en combustible à l'écart de toute surface chauffée.
- ⚠ Les dérivés de combustion générés lors de l'utilisation de ce produit contiennent des agents chimiques reconnus par l'Etat de Californie comme provoquant des cancers, des anomalies congénitales ou d'autres troubles de la reproduction.
- ⚠ N'intégrez pas ce modèle de grill à n'importe quelle construction encastrée ou à glissière. Le non respect de cet Avertissement risque de provoquer un incendie ou une explosion susceptible de provoquer des dégâts matériels ainsi que des blessures graves voire un décès.

APPAREILS A GAZ PROPANE UNIQUEMENT:

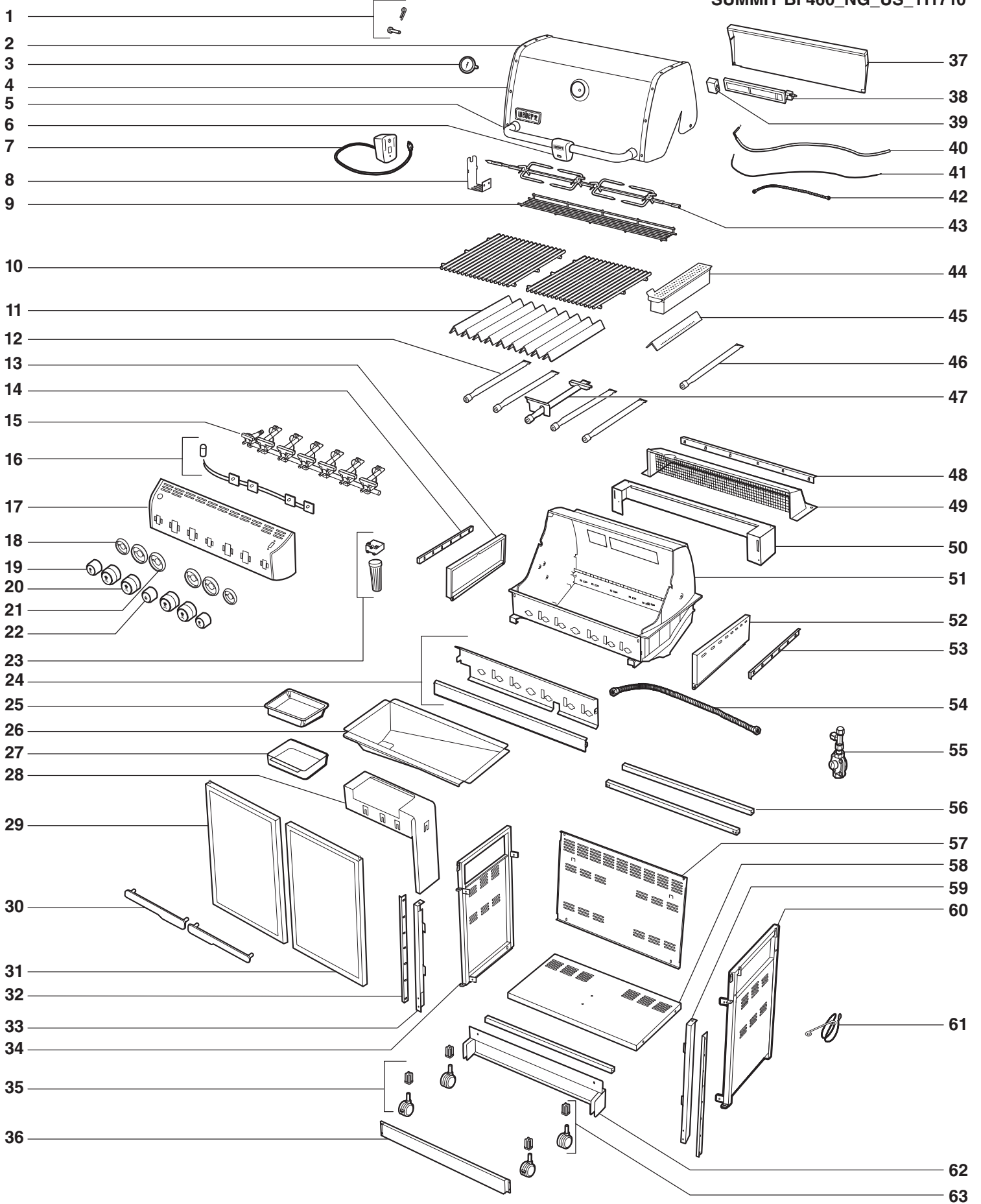
- ⚠ Utilisez l'ensemble régulateur de pression et tuyau fourni avec votre barbecue à gaz Weber®.
- ⚠ Ne tentez pas de déconnecter l'ensemble régulateur et tuyau de gaz ni tout autre raccord de gaz pendant que vous utilisez votre barbecue.
- ⚠ L'utilisation d'une bouteille de gaz propane liquide comportant une bosse ou d'une bouteille rouillée peut être dangereuse et une telle bouteille devrait être vérifiée par votre fournisseur de propane. N'utilisez pas une bouteille de propane liquide dont la valve est détériorée.
- ⚠ Bien que votre bouteille de propane liquide puisse sembler vide, il est possible qu'elle contienne encore du gaz, et la bouteille devrait être transportée et stockée en conséquence.
- ⚠ Si vous voyez, sentez ou entendez du gaz s'échapper de la bouteille de propane liquide:
 1. Eloignez-vous de la bouteille de propane liquide.
 2. Ne tentez pas de corriger le problème vous-même.
 3. Appelez votre service incendie. ♦

TABLE DES MATIERES

MISES EN GARDE	66	ALLUMAGE & UTILISATION DE LA SEAR STATION®	82
TABLE DES MATIERES	67	ALLUMAGE DU BRULEUR SEAR STATION®	82
VUE ECLATEE	68	POUR ETEINDRE	82
LISTE DE LA VUE ECLATEE	69	ALLUMAGE MANUEL DU BRULEUR SEAR STATION®	83
GARANTIE	70	POUR ETEINDRE	83
GENERALITES	71	UTILISATION DU BRULEUR SEAR STATION®	83
INSTALLATION AU CANADA	71	ALLUMAGE & UTILISATION DU BRULEUR DU FUMOI	84
RANGEMENT ET/OU INUTILISATION	71	ALLUMAGE DU BRULEUR DU FUMOI	84
UTILISATION	71	POUR ETEINDRE	84
TEST DE L'ARRIVEE DE GAZ	71	ALLUMAGE MANUEL DU BRULEUR DU FUMOI	85
REMARQUE : SI VOUS AVEZ ACHETE UN BRULEUR LATERAL	71	POUR ETEINDRE	85
INSTRUCTIONS RELATIVES AU GAZ	72	UTILISATION DU FUMOI	86
INSTALLER L'ARRIVEE DE GAZ	72	NETTOYAGE DU FUMOI	86
TYPE DE GAZ	73	ALLUMAGE & UTILISATION	
QU'EST-CE QUE LE GAZ NATUREL ?	73	DU BRULEUR DE LA ROTISSOIRE	87
PREPARATION DE LA DETECTION DES FUITE	73	ALLUMAGE DU BRULEUR DE LA ROTISSOIRE	87
DETECTION DES FUITE DE GAZ	74	POUR ETEINDRE	87
FONCTIONNALITES D'ECLAIRAGE	76	ALLUMAGE MANUEL DU BRULEUR DE LA ROTISSOIRE	88
LAMPE DE POIGNEE WEBER® GRILL OUT™	76	POUR ETEINDRE	88
BOUTONS DE COMMANDES ECLAIRES	76	PRECAUTIONS DE SECURITE IMPORTANTES	89
AVANT D'UTILISER VOTRE GRILL	76	UTILISATION DE LA ROTISSOIRE	89
PLATEAU-EGOUTTOIR AMOVIBLE ET EGOUTTOIR JETABLE	76	CUISINER AVEC LA ROTISSOIRE	90
UTILISATION DE L'ALLUMAGE A DECLIC	77	RANGEMENT DES FOURCHES DE LA ROTISSOIRE	90
ALLUMAGE & UTILISATION DU BRULEUR PRINCIPAL	78	DEPANNAGE	91
ALLUMAGE DU BRÛLEUR PRINCIPAL	78	DEPANNAGE DE LA SEAR STATION®	92
POUR ETEINDRE	78	DEPANNAGE DE LA ROTISSOIRE	92
ALLUMAGE MANUEL DU BRULEUR PRINCIPAL	79	DEPANNAGE DE L'ECLAIRAGE	
POUR ETEINDRE	79	DE POIGNEE GRILL OUT™	92
CONSEILS & ASTUCES POUR LA GRILLADE	80	MAINTENANCE	93
PRÉCHAUFFAGE	80	NETTOYAGE	93
CUISSON COUVERTE	80	GRILLES ANTI-ARAIGNEES/INSECTES WEBER®	93
ECOULEMENTS DE JUS ET DE GRAISSES	80	ETTOYAGE DE TUBE DE BRÛLEUR	93
SYSTÈME FLAVORIZER®	80	REPLACEMENT DES BRULEURS PRINCIPAUX	94
SEAR STATION®	80	MAINTENANCE ANNUELLE	96
METHODES DE CUISSON	81		
CUISSON DIRECTE	81		
CUISSON INDIRECTE	81		

VUE ECLATEE

SUMMIT BI 460_NG_US_111710



LISTE DE LA VUE ECLATEE

- | | | |
|---|---|---|
| 1. Quincaillerie de l'étui | 23. Logement des piles | 45. Barre du fumoir |
| 2. Etui | 24. Baffle à eau / Protection anti-chaueur | 46. Brûleur du fumoir |
| 3. Thermomètre | 25. Egouttoir jetable | 47. Brûleur Sear Station® |
| 4. Bec du thermomètre | 26. Plateau de récupération des graisses amovible | 48. Bande de remplissage arrière |
| 5. Poignée | 27. Egouttoir | 49. Ventilation arrière |
| 6. Eclairage de poignée Grill Out™ | 28. Support pour égouttoir | 50. Support de ventilation arrière |
| 7. Moteur de la rôtissoire | 29. Porte gauche | 51. Boîtier de cuisson |
| 8. Support de la rôtissoire | 30. Poignées des portes | 52. Aération latérale droite |
| 9. Grille de maintien au chaud | 31. Porte droite | 53. Bande de remplissage droite |
| 10. Grilles de cuisson | 32. Bande de remplissage avant | 54. Tuyau du collecteur |
| 11. Barres Flavorizer® | 33. Pièce à rogner gauche | 55. Cloison |
| 12. Tubes du brûleur | 34. Panneau du cadre gauche | 56. Support du cadre |
| 13. Aération latérale gauche | 35. Roulette à verrouillage | 57. Panneau arrière |
| 14. Bande de remplissage gauche | 36. Panneau d'alignement de la roue avant | 58. Panneau inférieur |
| 15. Collecteur | 37. Cache du brûleur IR | 59. Pièce de remplissage droite |
| 16. Harnais de câblage du panneau de commande | 38. Brûleur à infrarouge | 60. Panneau du cadre droit |
| 17. Panneau de commande | 39. Boîtier du brûleur IR | 61. Porte-allumette |
| 18. Bec du petit bouton | 40. Câble de l'allumeur du brûleur IR | 62. Panneau d'alignement de la roue arrière |
| 19. Petit bouton | 41. Thermocouple | 63. Roulette |
| 20. Gros bouton | 42. Tuyau du brûleur IR | |
| 21. Bec du gros bouton | 43. Assemblage de la broche de la rôtissoire | |
| 22. Bouton de la Sear Station® | 44. Boîtier du fumoir | |

GARANTIE

Weber-Stephen Products Co. (Weber) garantit par le présent document à l'ACHETEUR D'ORIGINE de ce grill à gaz Weber® que celui-ci ne comportera aucun défaut de pièce ni de main d'oeuvre à compter de la date d'achat comme suit :

Fonte d'aluminium:	25 ans (2 ans pour l'ameublissement à l'exception de toute décoloration)
Structure en acier inoxydable:	25 ans
Structure émaillée:	25 ans
Tubes du brûleur en acier inoxydable:	10 ans
Grilles de cuisson en acier inoxydable:	5 ans sans trou provoqué par la rouille ou par une brûlure
Barres Flavorizer® en acier inoxydable:	5 ans sans trou provoqué par la rouille ou par une brûlure
Grilles de cuisson en fonte fer émaillée:	5 ans sans trou provoqué par la rouille ou par une brûlure
Grilles de cuisson émaillées:	3 ans sans trou provoqué par la rouille ou par une brûlure
Barres Flavorizer® émaillées:	2 ans sans trou provoqué par la rouille ou par une brûlure
Brûleur de la rôtissoire à infrarouge:	2 ans
Toutes les autres pièces:	2 ans

à condition qu'il ait été assemblé et utilisé conformément aux instructions imprimées qui l'accompagnent. Weber peut exiger une preuve raisonnable de votre date d'achat. VOUS DEVRIEZ DONC CONSERVER VOTRE TICKET DE CAISSE OU VOTRE FACTURE.

La présente Garantie limitée est limitée à la réparation ou au remplacement des pièces qui s'avèrent défectueuses dans le cadre d'une utilisation normale et d'un entretien normal et dont l'examen indique, à la satisfaction de Weber, qu'elles sont défectueuses. Avant de retourner toute pièce, veuillez entrer en contact avec le Représentant du Service clientèle le plus proche grâce aux coordonnées à votre disposition sur notre site Internet. Si Weber confirme le défaut et approuve la demande, Weber choisira de remplacer ces pièces sans frais. S'il vous est demandé de retourner les pièces défectueuses, les frais de transport devront être prépayés. Weber retournera les pièces à l'acheteur, franco de port.

La présente Garantie limitée ne couvre pas toute défaillance ou difficulté d'utilisation provoquée par un accident, une utilisation abusive, une mauvaise utilisation, une altération, une mauvaise application, un acte de vandalisme, une installation incorrecte ou une maintenance ou un entretien incorrects, ou le défaut d'entretien normal et régulier, y compris mais pas seulement les dommages provoqués par des insectes à l'intérieur des tubes du brûleur, tel que décrit dans le présent mode d'emploi.

Toute détérioration ou tout dommage résultant de conditions météorologiques graves comme de la grêle, des ouragans, des séismes ou des tornades, toute décoloration résultant d'une exposition à des agents chimiques directement ou dans l'atmosphère, n'est pas couverte dans le cadre de la présente Garantie limitée.

Il n'existe aucune autre garantie expresse hormis celles exposées dans le présent document et toute garantie de commercialisation et de bon état induite est limitée en durée à la période de couverture de la présente Garantie limitée écrite expresse. Certaines régions n'autorisent pas de limitation de durée de la garantie induite ; il est donc possible que cette limitation ne s'applique pas à vous.

Weber ne peut être tenu pour responsable de tout dommage particulier, induit ou se produisant par voie de conséquence. Certaines régions n'autorisent pas l'exclusion ou la limitation des dommages indirects ou se produisant par voie de conséquence ; il est donc possible que cette limitation ou exclusion ne s'applique pas à vous.

Weber n'autorise aucune personne ou société à présumer en son nom de toute autre obligation ou responsabilité en relation avec la vente, l'installation, l'utilisation, le retrait, le retour ou le remplacement de ses équipements ; et aucune de ces représentations ne lie Weber.

La présente Garantie s'applique uniquement aux produits vendus au détail.

WEBER-STEPHEN PRODUCTS CO.

Product Registration
P.O. Box 40530
Burlington, ON L7P 4W1

Pour des pièces de rechange, appelez le :

1-800-265-2150
www.weber.com®

Connectez-vous sur www.weber.com®, sélectionnez votre pays d'origine, et enregistrez votre grill aujourd'hui. ♦

Avec le barbecue à gaz Weber® vous pouvez griller, cuire au barbecue, rôti et cuire avec des résultats qui sont difficiles à dupliquer avec des appareils de cuisine d'intérieur. Le couvercle fermé et les barres Flavorizer® produisent cette saveur "d'extérieur" dans les aliments.

L'arrivée de gaz naturel est facile à utiliser et elle vous donne plus de contrôle sur la cuisson que du charbon de bois.

- Les présentes instructions vont vous fournir les exigences minimales pour l'assemblage de votre barbecue à gaz Weber®. Veuillez lire attentivement les instructions avant d'utiliser votre barbecue à gaz Weber®. Un montage incorrect peut s'avérer dangereux.
- Ne convient pas pour une utilisation par des enfants.
- S'il existe des codes régionaux qui s'appliquent aux grills à gaz portatifs, vous devrez vous y conformer. L'installation doit être conforme aux codes régionaux ou, en l'absence de codes régionaux, avec le Code national des gaz combustibles, ANSI Z223.1/NFPA 54, le Code des installations de gaz naturel et de gaz propane, CSA B149.1, ou le Code sur le stockage et la manipulation du propane, B149.2, ou avec la Norme pour les véhicules de loisirs, ANSI A 119.2/NFPA 1192, et Séries CSA Z240 RV, Code des véhicules de loisirs, le cas échéant.
- Ce barbecue à gaz Weber® est conçu pour le gaz naturel (gaz de ville) uniquement. N'utilisez pas de gaz propane liquide (PL) en bouteille. Les valves, les orifices et le tuyau sont conçus pour le gaz naturel uniquement.
- Ne pas utiliser avec du charbon de bois.
- Vérifiez que la zone au-dessous du panneau de commandes et le plateau de récupération des graisses ne comportent aucun débris susceptibles de faire obstruction à la circulation de l'air nécessaire à la combustion ou à la ventilation. ♦

INSTALLATION AU CANADA

Les présentes instructions, bien que généralement acceptables, ne respectent pas nécessairement les codes pour l'Installation au Canada, en particulier en ce qui concerne les canalisations au-dessus et au-dessous du sol. Au Canada, l'installation de cet appareil doit respecter les codes régionaux et/ou les Normes CAN/CGA-B149.1 (Code pour l'installation des appareils et équipements réalisant la combustion de gaz naturel). ♦

RANGEMENT ET/OU INUTILISATION

- Le gaz doit être fermé au niveau de l'arrivée de gaz naturel lorsque le barbecue à gaz Weber® n'est pas utilisé.
- Lorsque le barbecue à gaz Weber® est conservé à l'intérieur, l'arrivée de gaz doit être déconnectée.
- Le barbecue à gaz Weber® devrait faire l'objet d'une détection des fuites de gaz et de toutes obstructions potentielles à l'intérieur des tubes du brûleur avant utilisation. (Voir : "MAINTENANCE/MAINTENANCE ANNUELLE").
- Vérifiez que les zones au-dessous du panneau de commande et le plateau de récupération des graisses amovible ne comportent aucun débris susceptibles de faire obstruction à la circulation de l'air nécessaire à la combustion ou à la ventilation.
- Les grilles anti-araignées/insectes devraient également être vérifiées afin de détecter toute obstruction. (Voir : "MAINTENANCE/MAINTENANCE ANNUELLE"). ♦

UTILISATION

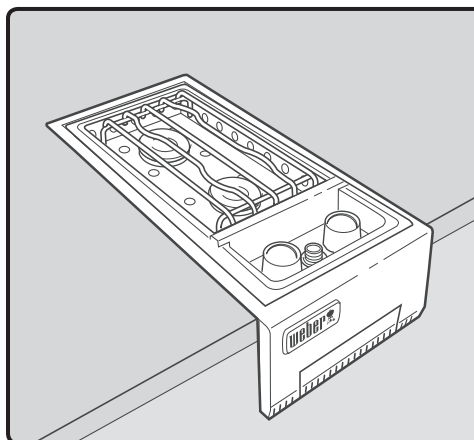
- ⚠ **MISE EN GARDE : Utilisez ce barbecue uniquement en extérieur dans une zone bien ventilée. Ne l'utilisez pas dans un garage, un bâtiment, un passage couvert ou toute autre zone confinée.**
- ⚠ **MISE EN GARDE : Votre barbecue à gaz Weber® ne doit pas être utilisé sous une structure suspendue inflammable.**
- ⚠ **MISE EN GARDE : Votre barbecue à gaz Weber® n'est pas conçu pour être installé à l'intérieur ou sur des véhicules de loisirs et/ou des bateaux.**
- ⚠ **MISE EN GARDE : N'utilisez pas ce barbecue à moins de 24 pouces de tout matériau inflammable. Ceci inclut le dessus, le dessous, l'arrière ou les côtés du grill.**
- ⚠ **MISE EN GARDE : La totalité du boîtier de cuisson devient très chaude pendant l'utilisation. Ne le laissez pas sans surveillance.**
- ⚠ **MISE EN GARDE : Maintenez tout cordon d'alimentation électrique à l'écart de toute surface chauffée.**
- ⚠ **MISE EN GARDE : Maintenez la zone de cuisson dégagée de toute vapeur et de tout liquide inflammables, comme de l'essence, de l'alcool, etc., et de tout matériau inflammable. ♦**

TEST DE L'ARRIVEE DE GAZ

- Déconnectez votre barbecue à gaz Weber® pendant le test de l'arrivée de gaz à des pressions élevées. Cet appareil ainsi que sa valve de fermeture individuelle doivent être déconnectés du système de canalisation d'arrivée de gaz pendant tout test sous pression de ce système à des pressions de test supérieures à 1/2 psig (3,5 kPa).
- Fermez votre barbecue à gaz Weber® pendant le test de l'arrivée de gaz à basses pressions. Cet appareil doit être isolé du système de canalisation d'arrivée de gaz en fermant sa valve de fermeture manuelle individuelle pendant tout test sous pression du système de canalisation de l'arrivée de gaz à une pression égale ou inférieure à 1/2 psig (3,5 kPa). ♦

REMARQUE : SI VOUS AVEZ ACHETE UN BRULEUR LATERAL

Si vous avez acheté l'accessoire Brûleur latéral avec votre grill à gaz Summit®, Weber® vous recommande de lire le GUIDE D'INSTALLATION/MODE D'EMPLOI DU BRULEUR LATERAL SUMMIT® INTEGRE avant de concevoir votre structure en "îlot". ♦



INSTALLER L'ARRIVEE DE GAZ

Caractéristiques techniques générales de la canalisation

Remarque : Contactez la municipalité locale pour prendre connaissance des codes de construction qui réglementent les installations de barbecues à gaz en extérieur. En l'absence de Codes régionaux, Vous devez vous conformer à la dernière édition du Code national des gaz combustibles : ANSI Z 223.1/NFPA 54, ou CAN/CGA-B149.1, Code des installations au gaz naturel et au gaz propane. **NOUS RECOMMANDONS QUE CETTE INSTALLATION SOIT EFFECTUEE PAR UN PROFESSIONNEL.**

Certaines des recommandations suivantes sont des exigences générales extraites de la dernière édition du Code national des gaz combustibles : ANSI Z 223.1/NFPA 54, ou CAN/CGA-B149.1, Code des installations au gaz naturel et au gaz propane pour les caractéristiques techniques complètes.

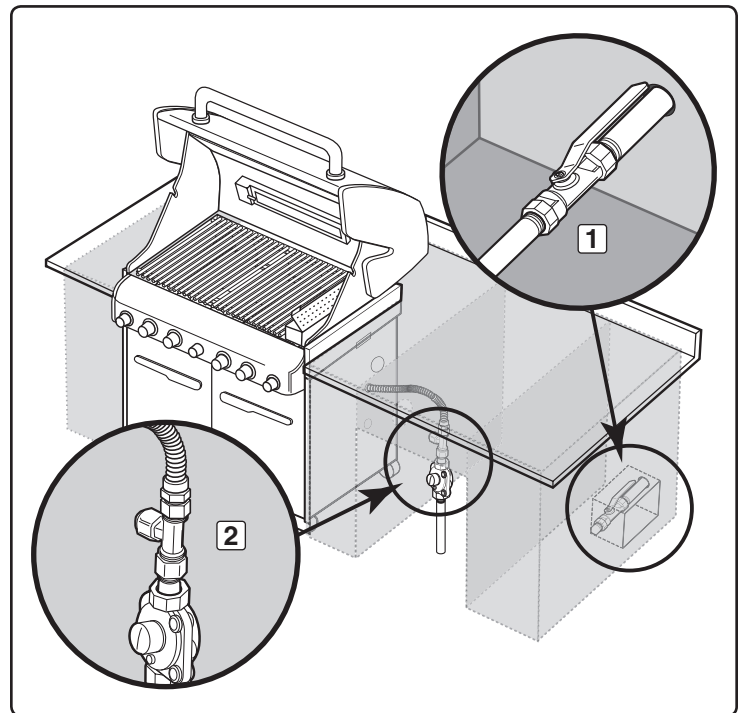
- Ce barbecue est conçu pour fonctionner avec une pression de colonne d'eau de 4,5" (0,163 psi).
- Une valve de fermeture manuelle doit être installée en extérieur, et être accessible, elle ne doit pas se trouver à l'intérieur de la structure "intégrée" (1).
- Une valve de fermeture manuelle supplémentaire à l'intérieur devrait être installée sur la conduite de combustible de branche à un emplacement accessible à proximité de la conduite d'approvisionnement.
- Les caches anti-poussière (bouchons de plastique fournis) contribuent à maintenir la propreté du raccord de déconnexion rapide lorsqu'il est déconnecté.
- Le composant de canalisation utilisé devrait être résistant à l'action du gaz naturel lorsque les connexions sont effectuées.
- Le connecteur extérieur doit être fermement fixé à une structure permanente rigide (2).

Canalisation de la conduite de gaz

- Si la longueur de la conduite nécessaire ne dépasse pas 50 pieds, utilisez un tube de 5/8" de diamètre. Une taille de plus devrait être utilisée pour les longueurs supérieures à 50 pieds.
- La canalisation de gaz peut être un tubage de cuivre, de type K ou L ; un tubage plastique en polyéthylène, avec un minimum d'épaisseur de paroi de 0,062" ; ou une canalisation en acier ou en fer forgé de poids standard (plan 40).
- Le tubage de cuivre doit être recouvert d'étain si le gaz contient plus de 0,3 grammes de sulfure d'hydrogène pour 100 pieds cubes de gaz.
- Le tubage en plastique convient uniquement pour une utilisation souterraine, en extérieur.
- Toute canalisation de gaz en contact avec de la terre, ou tout autre matériau susceptible de provoquer la corrosion de la canalisation, doit être protégée contre la corrosion d'une manière agréée.
- Une canalisation souterraine doit être recouverte par un minimum de 18".

Tester les raccords

La totalité des connexions et des joints doit faire l'objet d'un test approfondi de détection des fuites conformément aux codes régionaux et à toutes les procédures énumérées dans la dernière édition du Code national des gaz combustibles : ANSI Z 223.1/NFPA 54, ou CAN/CGA-B149.1



⚠ DANGER

N'utilisez pas de flamme nue pour détecter les fuites de gaz. Assurez-vous qu'il n'y a aucune étincelle ou flamme nue dans la zone pendant que vous détectez les fuites de gaz. Ceci aurait pour conséquence un incendie ou une explosion susceptible d'entraîner des blessures graves voire un décès ainsi que des dégâts matériels. ♦

INSTRUCTIONS RELATIVES AU GAZ

TYPE DE GAZ

Votre grill à gaz est conçu en usine pour fonctionner avec du gaz naturel uniquement. Ne tentez jamais d'utiliser votre grill avec d'autres gaz que le type spécifié sur les plaques nominales du grill.

Votre grill fonctionne avec une pression de colonne d'eau de 4.5". Si le remplacement du tuyau s'avère nécessaire, vous devez obligatoirement utiliser les pièces spécifiées en usine. Veuillez consulter le revendeur le plus proche.

Pour des raisons de sécurité et de conception, la conversion d'un grill Weber® d'un fonctionnement au Gaz naturel à un fonctionnement au gaz PL nécessite le remplacement de la totalité du dispositif d'alimentation en gaz du grill. Si cela se révèle nécessaire, veuillez consulter votre revendeur pour de plus amples informations. ♦

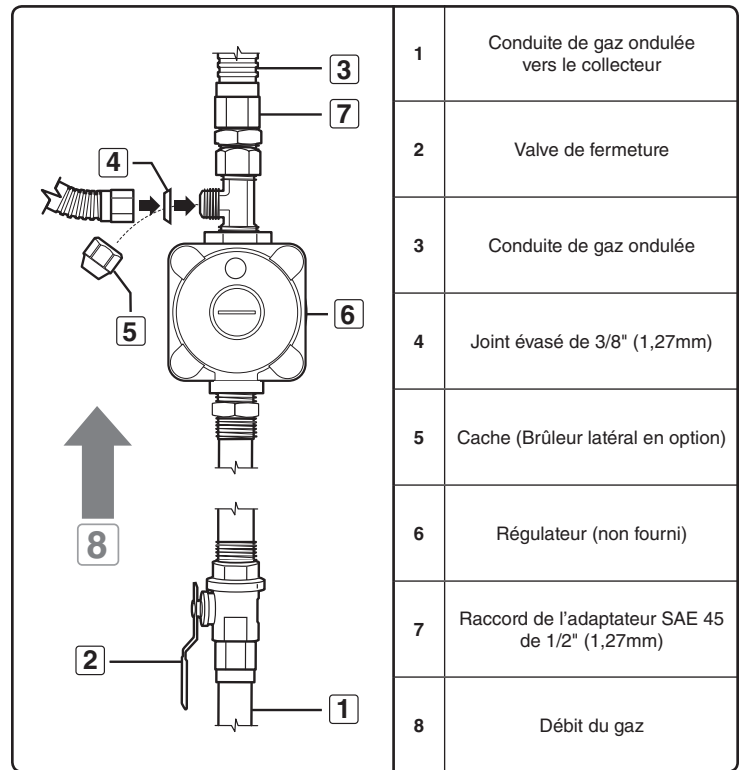
QU'EST-CE QUE LE GAZ NATUREL ?

Le gaz naturel, souvent appelé méthane, est un combustible moderne et sûr. Le gaz naturel vous est fourni par votre service public local et devrait être disponible facilement dans votre maison si celle-ci est déjà chauffée au gaz. ♦

PREPARATION DE LA DETECTION DES FUITES

Verifiez que toutes les valves du bruleur sont fermees

Les valves sont expédiées en position fermée ("OFF"), mais vous devriez les vérifier pour vous assurer qu'elles sont fermées. Vérifiez en les enfonçant et en les tournant dans le sens des aiguilles d'une montre. Si elles ne tournent pas, elles sont fermées. Passez à l'étape suivante. Si elles tournent, continuez à les tourner dans le sens des aiguilles d'une montre jusqu'à ce qu'elles ne tournent plus, elles sont maintenant fermées. Passez à l'étape suivante. ♦



INSTRUCTIONS RELATIVES AU GAZ

⚠ MISE EN GARDE : Les raccords de gaz de votre grill à gaz Summit® ont été testés en usine. Nous vous recommandons néanmoins d'effectuer un contrôle de détection des fuites pour la totalité des raccords de gaz avant toute utilisation de votre grill à gaz Summit®.

Retirer le panneau de commandes

Pièces nécessaires : un tournevis cruciforme et une serviette.

- Retirez les boutons de commande du brûleur (1).
- Ouvrez les deux portes puis placez une serviette au-dessus des portes. Ceci protégera le panneau de commandes ainsi que les dessus des portes contre les rayures au cours de l'étape suivante.
- Retirez les vis du dessous du panneau de commandes à l'aide d'un tournevis cruciforme (2).
- Inclinez le panneau de commandes vers l'avant et soulevez-le pour l'éloigner du grill (3).
- Placez le panneau de commandes sur la serviette qui recouvre l'ensemble des portes (4). ♦

DETECTION DES FUITES DE GAZ

⚠ DANGER

N'utilisez pas de flamme nue pour effectuer la détection des fuites. Assurez-vous de l'absence de toute étincelle ou flamme nue dans la zone pendant que vous détectez les fuites. La présence d'étincelles ou de flammes nues provoquerait un incendie ou une explosion susceptible d'entraîner des blessures ou un décès ainsi que des dégâts matériels.

Remarque : La totalité des raccords effectués en usine fait l'objet d'une détection minutieuse des fuites. Les brûleurs ont été testés à la flamme. Par mesure de sécurité toutefois, vous devriez vérifier à nouveau la totalité des raccords afin de détecter toute fuite avant d'utiliser votre grill à gaz Weber®. L'expédition et la manipulation peuvent desserrer ou détériorer un raccord de gaz.

⚠ MISE EN GARDE : Les raccords de gaz de votre grill à gaz ont été testés à l'usine. Nous vous recommandons néanmoins de détecter les fuites pour tous les raccords de gaz avant d'utiliser votre grill à gaz.

⚠ MISE EN GARDE : Effectuez ces contrôles de détection des fuites même si votre barbecue a été assemblé par un revendeur ou en boutique.

Si votre grill est pourvu d'un brûleur latéral, assurez-vous que ce brûleur latéral est éteint.

Ouvrez l'arrivée de gaz à la source.

⚠ MISE EN GARDE : N'allumez pas les brûleurs lorsque vous détectez les fuites.

Il vous faudra : Une solution d'eau savonneuse et un chiffon ou une brosse pour l'appliquer.

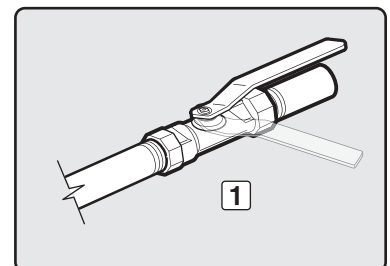
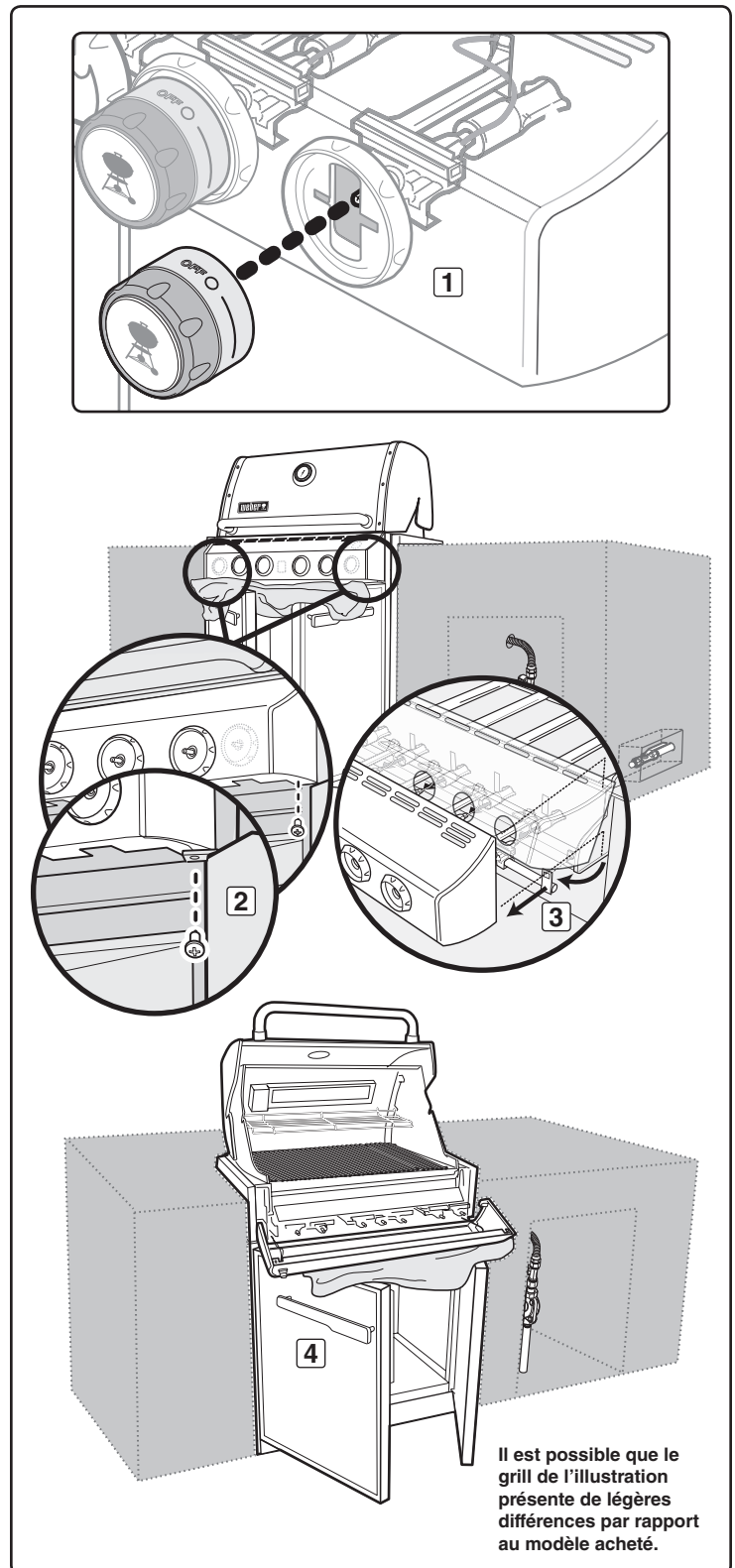
- Mélangez l'eau et le savon.
- Ouvrez l'arrivée de gaz (1).
- Détectez les fuites en humidifiant le raccord à l'aide de la solution d'eau savonneuse et en regardant si des bulles se forment. Si des bulles se forment, ou si une bulle grossit, il y a une fuite.

Si il y a une fuite, fermez le gaz et serrez le raccord. Ouvrez à nouveau le gaz et vérifiez à nouveau à l'aide de la solution d'eau savonneuse. Si la fuite continue, n'utilisez pas le barbecue. Contactez le représentant du Service client le plus proche à l'aide des coordonnées à votre disposition sur notre site Internet. Connectez-vous sur www.weber.com®.

- Une fois la détection des fuites terminée, fermez l'arrivée de gaz à la source et rincez les raccords à l'eau.

Remarque : Dans la mesure où certaines solutions de détection des fuites, notamment l'eau savonneuse, peuvent s'avérer légèrement corrosives, la totalité des raccords devrait être rincée à l'eau après la détection des fuites.

⚠ MISE EN GARDE : Vous devriez détecter les fuites à chaque fois que vous déconnectez et reconnectez un raccord de gaz.



INSTRUCTIONS RELATIVES AU GAZ

Vérifiez

- A) Le raccord entre la conduite de gaz principale et le collecteur (1).
- B) Le raccord de la conduite de gaz de la rôtissoire (Brûleur I.R.) (2).
- C) Le raccord entre l'embouchure et le tuyau d'arrivée de gaz (3).
- D) Le raccord entre l'embouchure et le régulateur (4).
- E) Le raccord entre le régulateur et le tuyau (5).

⚠ **MISE EN GARDE:** En cas de fuite au niveau du raccord (1, 2, 3, 4, ou 5), resserrez le raccord à l'aide d'une clé puis effectuez à nouveau un contrôle de détection des fuites à l'aide d'une solution d'eau savonneuse.

Si une fuite persiste une fois que vous avez resserré le raccord, fermez le gaz. **N'UTILISEZ PAS LE GRILL.** Veuillez entrer en contact avec le Représentant du Service clientèle de votre région grâce aux coordonnées de notre site Internet. Connectez-vous sur www.weber.com®.

- F) Le raccord entre l'arrivée de gaz et le dispositif d'arrêt (6).
- G) Les raccords entre les valves et le collecteur (7).

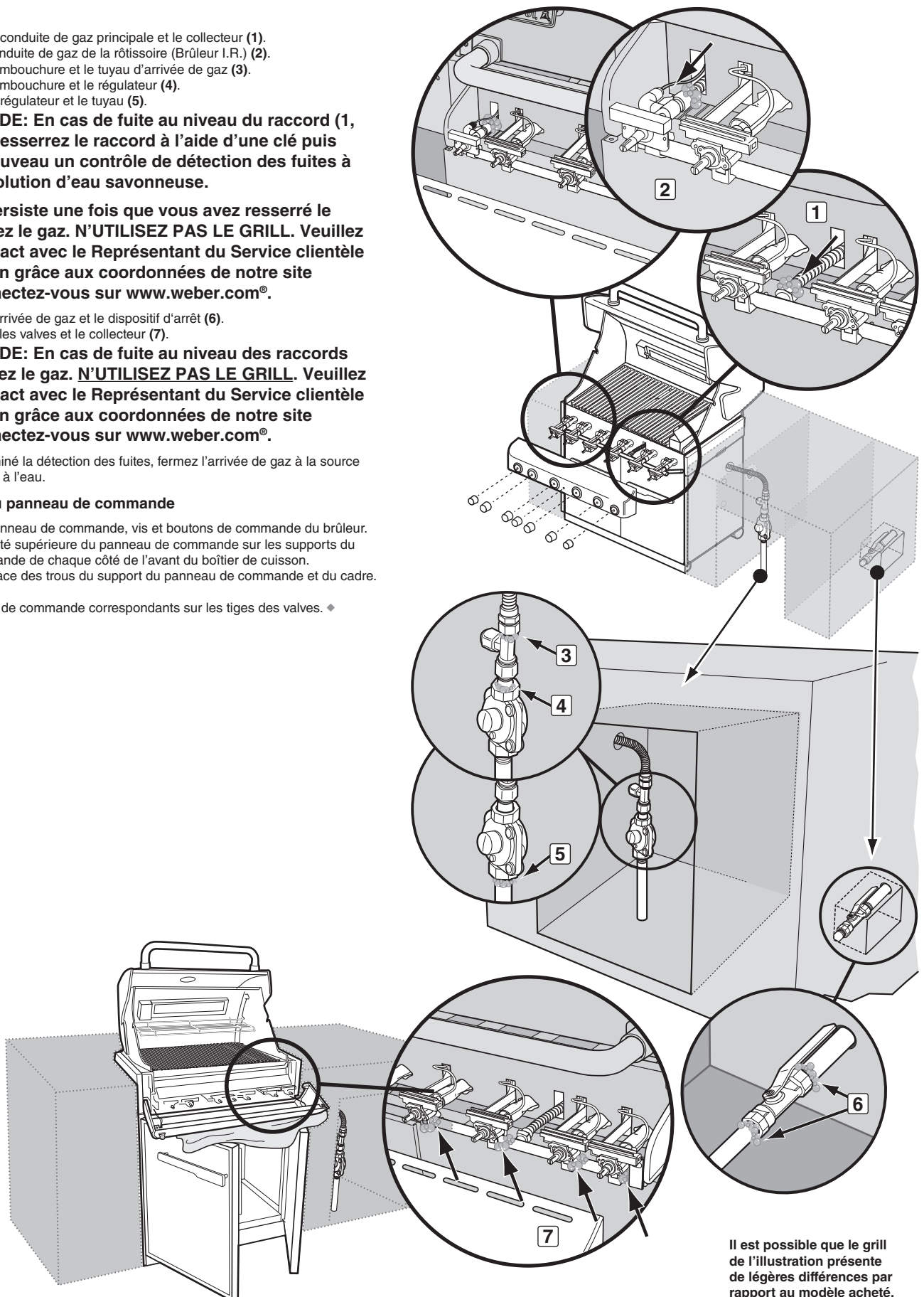
⚠ **MISE EN GARDE:** En cas de fuite au niveau des raccords (6, ou 7), fermez le gaz. **N'UTILISEZ PAS LE GRILL.** Veuillez entrer en contact avec le Représentant du Service clientèle de votre région grâce aux coordonnées de notre site Internet. Connectez-vous sur www.weber.com®.

Lorsque vous avez terminé la détection des fuites, fermez l'arrivée de gaz à la source puis rincez les raccords à l'eau.

Remise en place du panneau de commande

Pièces nécessaires : panneau de commande, vis et boutons de commande du brûleur.

- A) Accrochez l'extrémité supérieure du panneau de commande sur les supports du panneau de commande de chaque côté de l'avant du boîtier de cuisson.
- B) Alignez les vis en face des trous du support du panneau de commande et du cadre. Serrez les vis.
- C) Placez les boutons de commande correspondants sur les tiges des valves. ♦

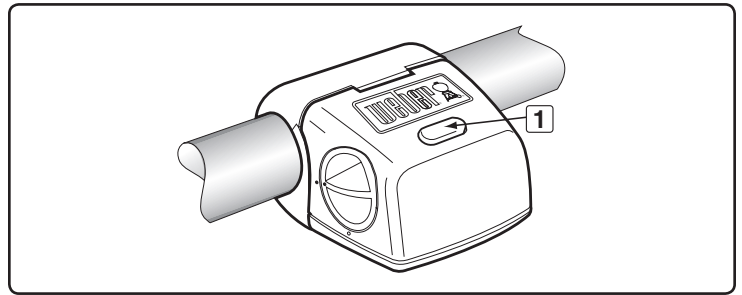


Il est possible que le grill de l'illustration présente de légères différences par rapport au modèle acheté.

FONCTIONNALITES D'ECLAIRAGE

LAMPE DE POIGNEE WEBER® GRILL OUT™

L'éclairage de poignée Weber Grill Out™ est équipé d'un "Détecteur d'inclinaison." Si le bouton de mise en marche (1) est activé, la lumière s'allume lorsque le couvercle du grill est ouvert. La lumière s'éteint lorsque le couvercle est fermé. Pour une utilisation pendant la journée, désactivez le détecteur en appuyant sur le bouton de mise en marche (1). ♦

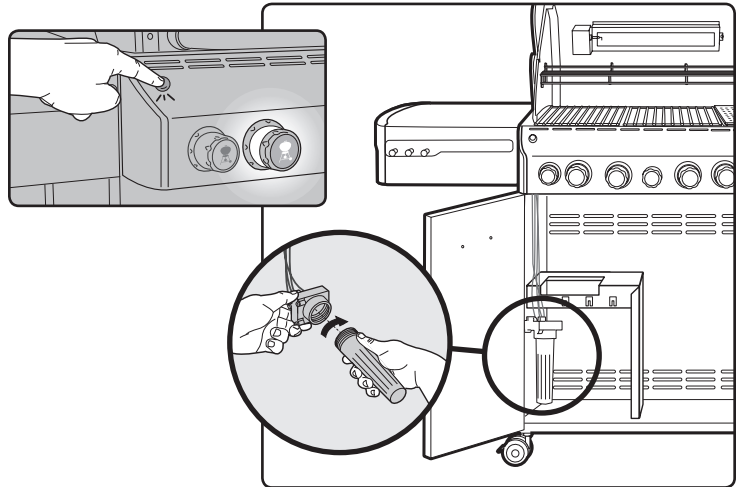


BOUTONS DE COMMANDES ECLAIRES

Votre grill à gaz est pourvu de boutons de commande qui s'allument ; ce qui vous permet de régler finement les paramètres de température, même en situation de faible éclairage.

Nécessite 3 piles alcalines "D". Ne mélangez pas des piles usagées avec des piles neuves ou différents types de piles entre elles (ordinaires, alcalines ou rechargeables). Le logement des piles se situe à l'intérieur du meuble du côté gauche.

Pour mettre en marche l'éclairage, appuyez sur le bouton de mise en marche. ♦



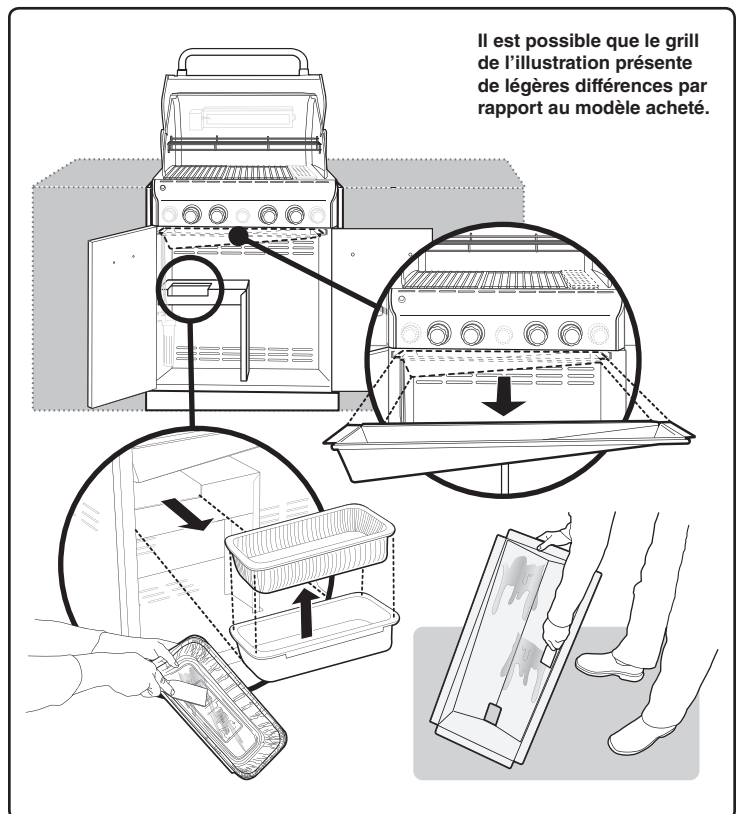
AVANT D'UTILISER VOTRE GRILL

PLATEAU-EGOUTTOIR AMOVIBLE ET EGOUTTOIR JETABLE

Votre grill a été fabriqué avec un dispositif de collecte des graisses intégré. Vérifiez le plateau-égouttoir amovible et l'égouttoir jetable afin de détecter la présence d'accumulations de graisses à chaque fois que vous utilisez votre grill.

Retirez l'excès de graisse à l'aide d'une spatule en plastique ; voir l'illustration. Lorsque cela s'avère nécessaire, lavez le plateau-égouttoir et l'égouttoir jetable à l'aide d'une solution d'eau savonneuse, puis rincez-les à l'eau claire. Remplacez l'égouttoir jetable lorsque son remplacement est nécessaire.

- ⚠ **MISE EN GARDE : Vérifiez si le plateau-égouttoir et l'égouttoir amovible contiennent des accumulations de graisses avant chaque utilisation. Retirez les excès de graisse afin d'éviter un embrasement de ces graisses. Un embrasement des graisses risquerait de provoquer une blessure grave ou des dégâts matériels.**
- ⚠ **ATTENTION : Ne couvrez-pas le plateau-égouttoir amovible d'une feuille de papier aluminium. ♦**

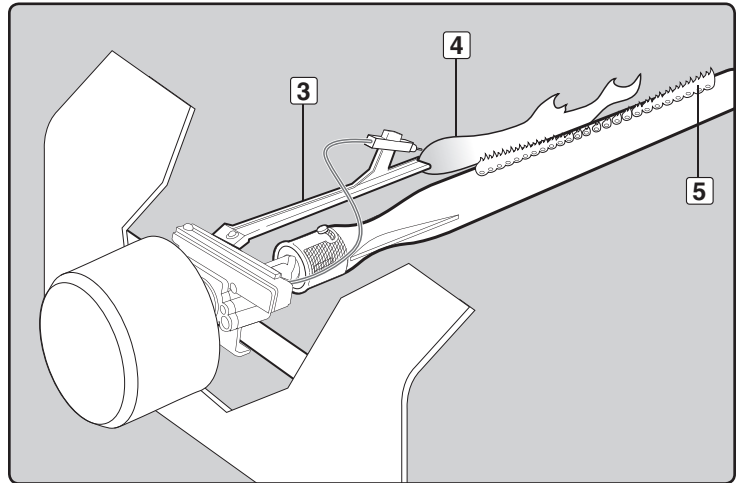
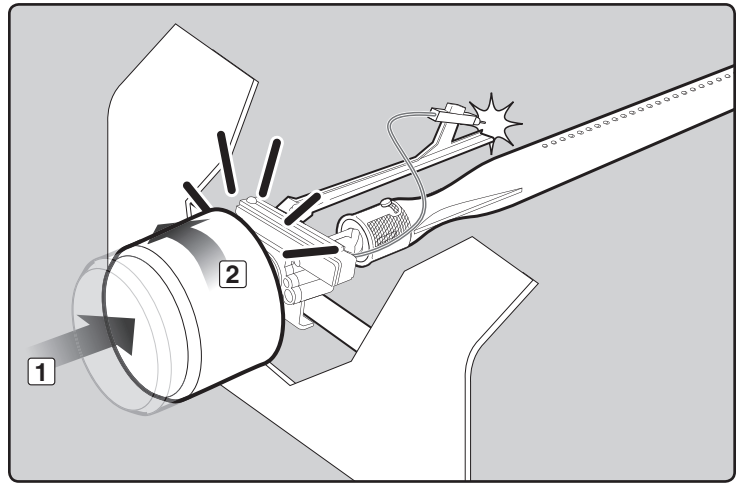


UTILISATION DE L'ALLUMAGE A DECILIC

⚠ Ouvrez toujours le couvercle avant d'allumer les brûleurs.

- A) Chaque bouton de commande est pourvu d'une électrode d'allumage intégrée. Pour créer une étincelle, vous devez enfoncer le bouton de commande (1) et le tourner vers MARCHE/ELEVE (2).
- B) Cette action génère une circulation de gaz et une étincelle en direction du tube d'allumage du brûleur (3). Vous entendez un déclic en provenance de l'allumeur. Vous voyez également une flamme orange de 3 à 5 sortir du tube d'allumage du brûleur du côté gauche du brûleur (4).
- C) **Maintenez le tube du brûleur enfoncé pendant deux secondes après le déclic.** Cela permet au gaz de circuler tout le long du tube du brûleur (5) et garantit l'allumage.
- D) Vérifiez que le brûleur est allumé en regardant à travers les grilles de cuisson. Vous devriez voir une flamme. Si le brûleur ne s'allume pas au premier essai, enfoncez le bouton de commande et positionnez-le sur ARRÊTÉ. Répétez la procédure d'allumage une seconde fois.

⚠ **MISE EN GARDE : Si le brûleur ne s'allume toujours pas, positionnez le bouton de commande du brûleur sur ARRÊTÉ puis patientez 5 minutes pour laisser le gaz se dissiper avant d'essayer à nouveau ou d'essayer d'allumer le brûleur avec une allumette.** ♦



ALLUMAGE & UTILISATION DU BRULEUR PRINCIPAL

ALLUMAGE DU BRÛLEUR PRINCIPAL

Vous trouverez des instructions d'allumage résumées à l'intérieur de la porte gauche du placard.

⚠ DANGER

Le fait de ne pas ouvrir le couvercle pendant que vous allumez les brûleurs du barbecue, ou de ne pas patienter 5 minutes pour laisser le gaz se dissiper si le barbecue ne s'allumait pas, pourrait entraîner un embrasement explosif susceptible de provoquer une blessure grave ou la mort.

Bouton d'allumage du bruleur principal

Remarque : Chacun des allumeurs des boutons de commande crée une étincelle à partir de l'électrode de l'allumeur en direction du tube d'allumage du brûleur. Vous générez l'énergie nécessaire à la création de l'étincelle en enfonçant le bouton de commande et en le positionnant sur MARCHE/ELEVE. Ceci allume chaque brûleur individuellement.

⚠ MISE EN GARDE : Vérifiez le tuyau avant chaque utilisation du barbecue afin de détecter toute entaille, fissure, abrasion ou coupure. S'il s'avère que le tuyau est détérioré de quelque manière, n'utilisez pas le barbecue. Remplacez le tuyau par un tuyau de rechange agréé par Weber® uniquement. Veuillez entrer en contact avec le Représentant du Service clientèle le plus proche grâce aux coordonnées à votre disposition sur notre site Internet. Connectez-vous sur www.weber.com.

- A) Ouvrez le couvercle (1).
- B) Assurez-vous que tous les boutons de commande des brûleurs sont positionnés sur ARRÊTÉ (2). (Enfoncez le bouton de commande et tournez-le dans le sens des aiguilles d'une montre pour vérifier qu'il est positionné sur ARRÊTÉ.)
- C) Ouvrez l'arrivée de gaz à la source (3).

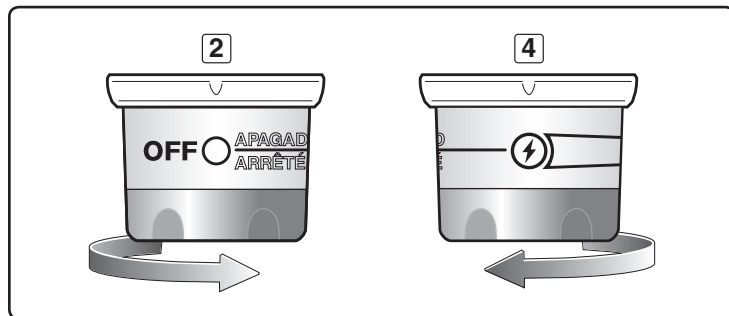
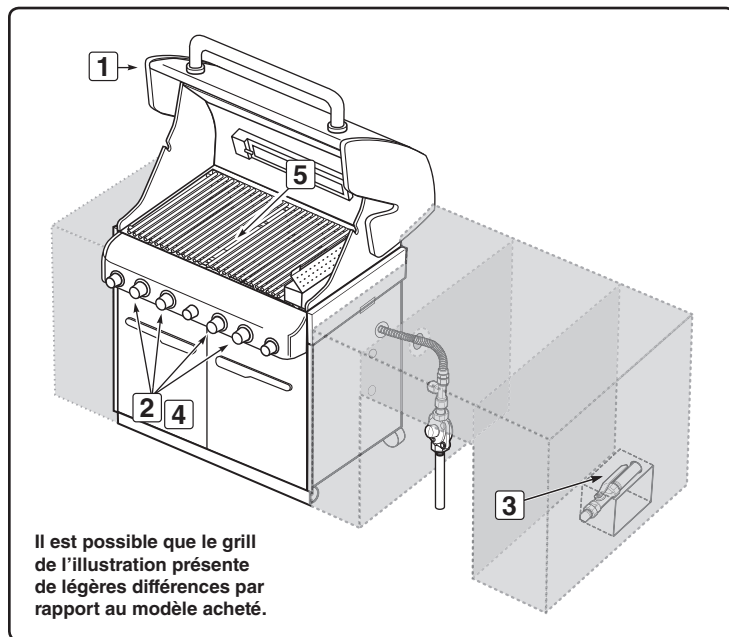
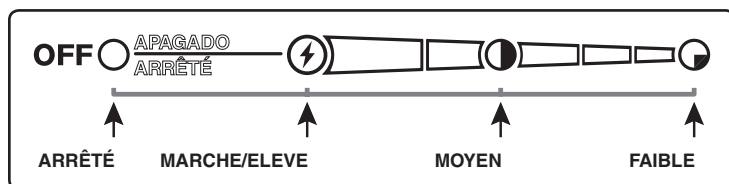
⚠ MISE EN GARDE : Ne vous penchez pas au-dessus du barbecue ouvert.

- D) Enfoncez le bouton de commande et maintenez-le sur MARCHE/ELEVE jusqu'à ce que vous entendiez le déclic de l'allumeur - continuez à maintenir le bouton de commande dans cette position pendant deux secondes. Cette action produira une étincelle au niveau de l'allumeur, du tube d'allumage du brûleur puis du brûleur principal (4).
- E) Vérifiez que le brûleur est allumé en regardant à travers les grilles de cuisson. Vous devriez voir une flamme. Si le brûleur ne s'allume pas à la première tentative, enfoncez le bouton de commande et positionnez-le sur ARRÊTÉ. Répétez la procédure d'allumage une seconde fois (5).

⚠ MISE EN GARDE : Si le brûleur ne s'allume toujours pas, positionnez le bouton de commande du Brûleur 1 sur ARRÊTÉ et patientez 5 minutes pour laisser le gaz se dissiper avant d'essayer d'allumer le brûleur avec une allumette. ♦

POUR ETEINDRE

Enfoncez et tournez chaque bouton de commande du brûleur dans le sens des aiguilles d'une montre vers la position ARRÊTÉ. Fermez l'arrivée de gaz à la source. ♦



ALLUMAGE & UTILISATION DU BRULEUR PRINCIPAL

ALLUMAGE MANUEL DU BRULEUR PRINCIPAL

⚠ DANGER

Le fait de ne pas ouvrir le couvercle lorsque vous allumez les brûleurs du barbecue, ou de ne pas patienter 5 minutes pour laisser le gaz se dissiper si le barbecue ne s'allumait pas, pourrait provoquer un embrasement explosif susceptible de provoquer une blessure grave ou la mort.

- A) Ouvrez le couvercle (1).
- B) Assurez-vous que tous les boutons de commande du brûleur sont positionnés sur ARRÊTÉ (2). (Enfoncez chaque bouton puis tournez-le dans le sens des aiguilles d'une montre pour vous assurer qu'ils sont positionnés sur ARRÊTÉ.)
- C) Ouvrez l'arrivée de gaz à la source (3).
- D) Placez une allumette dans le porte-allumettes puis frottez-la.

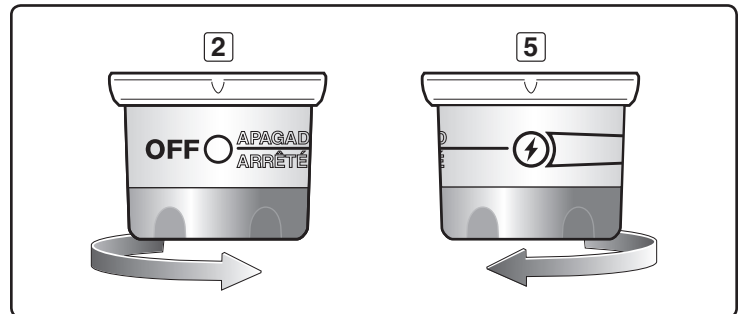
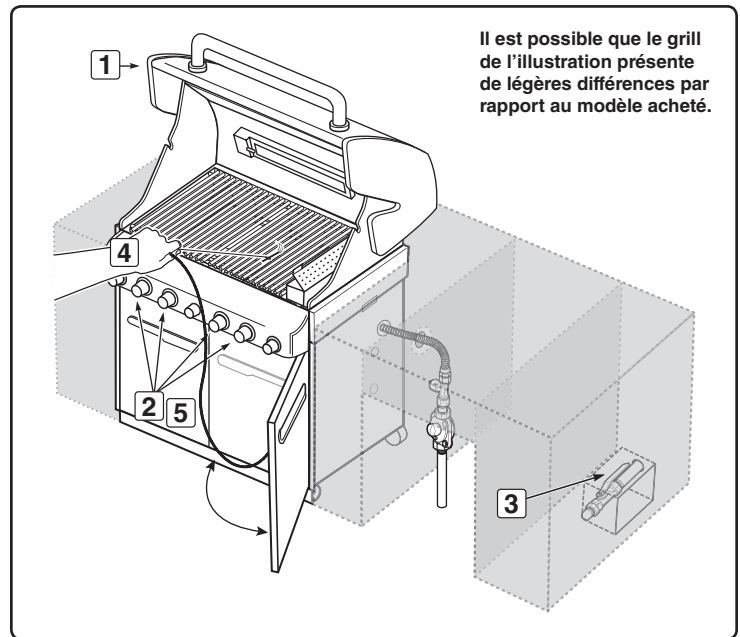
⚠ **MISE EN GARDE : Ne vous penchez pas au-dessus du barbecue ouvert.**

- E) Insérez le porte-allumettes et allumez le brûleur sélectionné avec l'allumette à travers les grilles de cuisson et les barres Flavorizer® (4).
- F) Enfoncez le bouton de commande puis tournez-le pour le positionner sur MARCHE/ELEVE (5).

⚠ **MISE EN GARDE : Si le brûleur ne s'allume pas, positionnez le bouton de commande sur ARRÊTÉ et patientez 5 minutes pour laisser le gaz se dissiper avant d'essayer à nouveau. ♦**

POUR ETEINDRE

Enfoncez et tournez le bouton de commande de chaque brûleur dans le sens des aiguilles d'une montre pour le positionner sur ARRÊTÉ. Fermez l'arrivée de gaz à la source. ♦



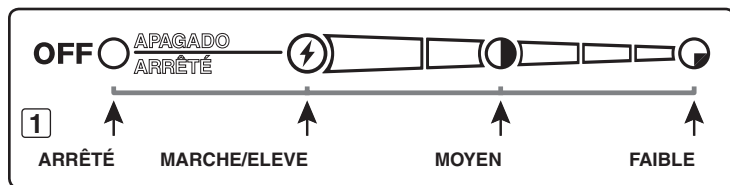
CONSEILS & ASTUCES POUR LA GRILLADE

- Préchauffez toujours le grill avant la cuisson. Réglez tous les brûleurs sur ELEVÉ puis fermez le couvercle; laissez chauffer pendant 10 minutes, ou jusqu'à ce que le thermomètre atteigne 500°-550°F (260°-288°C).
- Grillez les viandes et cuisinez avec le couvercle fermé pour des aliments grillés à la perfection à chaque fois.
- Les durées de grillade des recettes sont fournies pour une température extérieure de 70°F (20°C) avec peu ou pas de vent. Laissez les aliments cuire plus longtemps s'il fait froid ou s'il y a du vent, ou en altitude. Diminuez la durée de cuisson si le temps est extrêmement chaud.
- Les durées de grillade sont susceptibles de varier en fonction des conditions météorologiques, ou de la quantité, de la taille et de la forme des aliments à griller.
- Il est possible que la température de votre grill à gaz atteigne un niveau plus élevé que la normale lors des premières utilisations.
- Les conditions de grillade peuvent nécessiter une adaptation des commandes du brûleur pour atteindre les températures de cuisson correctes.
- En général, les gros morceaux de viande nécessitent une durée de cuisson plus longue par livre que les petits morceaux de viande. Des aliments placés sur une grille de cuisson surchargée devront cuire plus longtemps qu'une petite quantité d'aliments. Les aliments grillés dans des récipients comme les haricots, nécessiteront une durée de cuisson plus longue s'ils sont grillés dans une casserole profonde que s'ils sont cuits dans un plat peu profond.
- Retirez le surplus de matière grasse des steaks, des côtes et des rôtis en ne laissant pas plus d'1/4 pouce (6.4mm) de matière grasse. Le fait qu'il y ait moins de matière grasse facilite le nettoyage, et constitue quasiment une garantie contre les embrasements indésirables.
- Les aliments placés directement sur la grille de cuisson au-dessus des brûleurs peuvent avoir besoin d'être retournés ou d'être déplacés vers une zone moins chaude.
- Utilisez des pinces plutôt que des fourchettes pour retourner et manipuler la viande afin d'éviter toute perte de jus de viande. Utilisez deux spatules pour manipuler les gros poissons entiers.
- En cas d'embrasement indésirable, fermez tous les brûleurs et déplacez les aliments vers une autre zone de la grille de cuisson. Toute flamme se résorbera rapidement. Une fois que les flammes se sont éteintes, rallumez le grill. N'UTILISEZ JAMAIS D'EAU POUR ÉTEINDRE LES FLAMMES SUR UN GRILL À GAZ.
- La cuisson de certains aliments, comme les ragoûts ou les filets de poisson fins, nécessite un récipient. Les plats en aluminium jetables sont très pratiques mais vous pouvez utiliser n'importe quel plat métallique avec des gants de cuisiner.
- Assurez-vous toujours que le plateau inférieur et l'égouttoir sont propres et ne contiennent aucun résidu.
- Ne recouvrez pas le plateau de récupération des graisses amovible avec du papier aluminium. Ceci pourrait empêcher la graisse de s'écouler vers l'égouttoir.
- L'utilisation d'un minuteur vous aidera à savoir lorsque la viande "bien cuite" est sur le point de devenir "trop cuite."

Remarque : Si le grill perd de la chaleur pendant la cuisson, veuillez consulter la section intitulée Résolution des problèmes de ce manuel.

⚠ MISE EN GARDE : Ne déplacez pas le barbecue à gaz Weber® en cours d'utilisation ou lorsque celui-ci est très chaud.

Vous pouvez ajuster les brûleurs individuels selon ce que vous souhaitez. Les réglages des commandes (1) sont MARCHE/ELEVÉ, MOYEN, FAIBLE, ou ARRÊTÉ.



Remarque : Il est possible que la température à l'intérieur de votre boîtier de cuisson pendant les premières utilisations, au moment où les surfaces sont encore très réfléchissantes, soit plus élevée que les températures indiquées dans votre livret de cuisine. Les conditions de cuisson, comme le vent et les conditions climatiques, peuvent nécessiter l'ajustement des commandes du brûleur afin d'obtenir les températures de cuisson correctes.

Si les brûleurs s'éteignent pendant la cuisson, éteignez tous les brûleurs puis patientez 5 minutes avant de les allumer à nouveau. ♦

PRÉCHAUFFAGE

Votre barbecue à gaz Weber® est un appareil qui utilise l'énergie de manière efficace. En fonctionnement, son évaluation BTU est faible et économique. Il est important de préchauffer votre grill avant de l'utiliser. Allumez votre grill en respectant les instructions du présent Mode d'emploi. Pour le préchauffage : après l'allumage, positionnez tous les brûleurs sur MARCHE/ELEVÉ, fermez le couvercle, et laissez chauffer jusqu'à ce que la température atteigne un niveau situé entre 500° et 550° F (260° et 290° C), la température de cuisson recommandée. Ceci prendra 10 à 15 minutes en fonction de conditions comme la température de l'air et le vent. ♦

CUISSON COUVERTE

La totalité de la grillade s'effectue avec le couvercle fermé afin d'apporter une chaleur uniforme qui circule de façon homogène. Avec le couvercle fermé, le grill à gaz cuit d'une manière très semblable à un four à convection. Le thermomètre dans le couvercle indique la température de cuisson à l'intérieur du grill. La totalité du préchauffage et de la grillade s'effectue avec le couvercle fermé. N'ouvrez pas pour regarder — vous perdez de la chaleur à chaque fois que vous soulevez le couvercle. ♦

ÉCOULEMENTS DE JUS ET DE GRAISSES

Les barres Flavorizer® sont conçues pour "fumer" la quantité correcte de jus pour une cuisson savoureuse. Les excédents de jus et de graisses vont s'accumuler dans l'égouttoir au-dessous du plateau amovible de récupération des graisses. Des égouttoirs jetables en aluminium sont disponibles ; ils s'adaptent parfaitement à l'égouttoir.

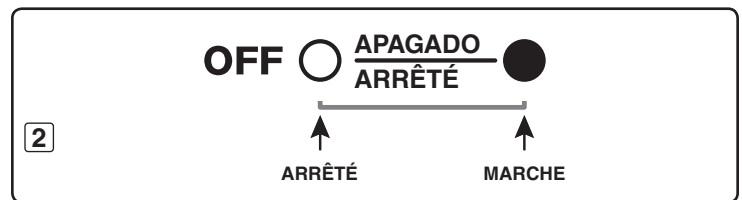
⚠ MISE EN GARDE : Vérifiez le plateau amovible de récupération des graisses ainsi que l'égouttoir afin de détecter toute accumulation de graisse avant chaque utilisation. Retirez tout excès de matière grasse afin d'éviter un embrasement de graisse à l'intérieur du plateau amovible de récupération des graisses. ♦

SYSTÈME FLAVORIZER®

Lorsque les jus de viandes s'écoulent des aliments vers les barres Flavorizer® disposées selon un angle particulier, elles créent de la fumée qui donne aux aliments une saveur de barbecue irrésistible. Grâce à la conception unique des brûleurs, des barres Flavorizer® et aux commandes de température souples, les embrasements incontrôlés sont presque éliminés, parce que VOUS contrôlez les flammes. En raison du design particulier des barres Flavorizer® et des brûleurs, les graisses en excès sont orientées vers le plateau de récupération des graisses amovible puis dans l'égouttoir. ♦

SEAR STATION®

Votre grill à gaz Weber® comprend peut-être un brûleur qui permet de saisir les viandes et le poisson. Le brûleur Sear Station® propose les réglages OFF, START/HI, ou LOW (2) et ces réglages fonctionnent avec les deux brûleurs principaux adjacents. Avec le brûleur sear et les brûleurs adjacents vous pouvez saisir efficacement les viandes tout en utilisant les autres zones de cuisson pour cuire à température modérée (Voir la section "ALLUMAGE & UTILISATION DU BRÛLEUR SEAR STATION® (MODELE 330)"). ♦



METHODES DE CUISSON

La chose la plus importante à connaître à propos des grillades est le choix de la méthode de cuisson à utiliser pour un aliment particulier, la méthode Directe ou Indirecte. La différence est simple : placez les aliments directement au-dessus du feu, ou organisez le feu de part et d'autre des aliments. L'utilisation de la bonne méthode constitue le moyen le plus court pour obtenir des résultats formidables et la meilleure façon de garantir une bonne cuisson en toute sécurité.

CUISSON DIRECTE

La Méthode directe, semblable au réchauffage, signifie que les aliments sont cuits directement au-dessus de la source de chaleur. Pour une cuisson homogène, les aliments devraient être retournés une fois au milieu du temps de cuisson. Utilisez la méthode Directe pour les aliments dont la cuisson dure moins de 25 minutes : les steaks, les côtes, les kebabs, les saucisses, les légumes, etc.

La cuisson Directe est également nécessaire pour saisir les viandes. Le fait de saisir les viandes crée cette merveilleuse texture craquante, caramélisée à l'endroit où les aliments sont en contact avec la grille. Cela donne également une couleur et une saveur agréables à toute la surface. Les steaks, les côtes, les filets de poulet, et les gros morceaux de viande bénéficient tous de ce mode de cuisson.

Pour saisir les viandes, placez-les au-dessus de la source de forte chaleur Directe pendant 2 à 5 minutes de chaque côté. Les petits morceaux ont besoin de moins de temps de cuisson. Habituellement, une fois que vous avez saisi les aliments, vous finissez leur cuisson à une température inférieure. Vous pouvez terminer la cuisson des aliments à cuisson rapide en utilisant la méthode Directe; utilisez la méthode Indirecte pour les aliments à cuisson lente.

Pour paramétrer votre grill à gaz pour la cuisson Directe, préchauffez le grill en réglant tous les brûleurs sur ELEVÉ. Placez les aliments sur la grille de cuisson, puis réglez tous les brûleurs à la température indiquée dans la recette. Fermez le couvercle du grill et soulevez-le uniquement pour retourner les aliments ou pour contrôler l'état de la cuisson au terme de la durée de cuisson recommandée. ♦

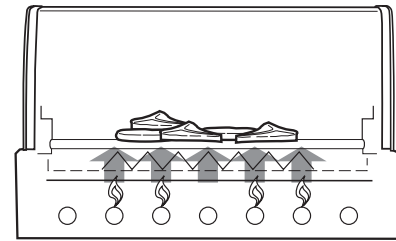
CUISSON INDIRECTE

La Méthode indirecte est semblable au rôti mais avec en plus les bénéfices de cette texture grillée, de cette saveur et de cet aspect que vous ne pouvez pas obtenir au four. Pour préparer le grill pour la cuisson Indirecte, les brûleurs à gaz sont allumés de chaque côté des aliments mais pas directement au-dessous d'eux. La température augmente, la chaleur est réfléchiée par le couvercle et les surfaces internes du grill, et circule pour cuire lentement les aliments de façon homogène de tous les côtés, d'une manière très semblable à ce qui se passe dans un four à convection, alors vous n'avez pas besoin de retourner les aliments.

Utilisez la méthode Indirecte pour les aliments nécessitant une durée de grillade de 25 minutes ou plus ou qui sont si délicats qu'une exposition directe à la flamme les dessècherait ou les ferait roussir. Les exemples sont notamment les rôtis, les petites côtes, les poulets entiers, les dindes, et les autres gros morceaux de viande, ainsi que les filets de poisson délicats.

Pour régler votre grill à gaz pour la cuisson Indirecte, préchauffez le grill avec tous les brûleurs sur ELEVÉ. Ajustez ensuite les brûleurs de chaque côté des aliments pour atteindre la température indiquée dans la recette puis fermez le(s) brûleur(s) situé(s) directement au-dessous des aliments. Pour un résultat optimal, placez les rôtis, la volaille ou les gros morceaux de viande sur une grille à rôti à l'intérieur d'un plat en aluminium rigide jetable. Pour des durées de cuisson plus longues, ajoutez de l'eau dans le plat en aluminium pour empêcher le jus de viande de brûler. Vous pouvez utiliser le jus de viande pour faire de la gravy ou des sauces. ♦

4 BRÛLEURS

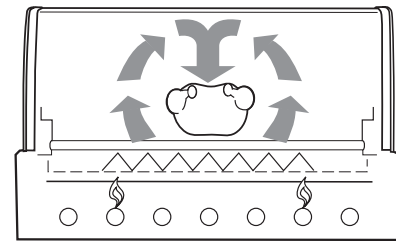


1 2 3 4
H H H H

CUISSON DIRECTE

La nourriture se place sur les grilles de cuisson juste au-dessus des brûleurs.

4 BRÛLEURS



1 2 3 4
M M

CUISSON INDIRECTE

La nourriture se place sur les grilles de cuisson entre les brûleurs.

ALLUMAGE & UTILISATION DE LA SEAR STATION®

ALLUMAGE DU BRULEUR SEAR STATION®

Vous trouverez des instructions d'allumage résumées à l'intérieur de la porte gauche du meuble.

⚠ DANGER

Le fait de ne pas ouvrir le couvercle pendant l'allumage des brûleurs du barbecue, ou de ne pas patienter 5 minutes pour laisser le gaz se dissiper si le barbecue ne s'allumait pas, peut provoquer un embrasement explosif susceptible d'entraîner une blessure grave ou un décès.

Le brûleur Sear Station® est pourvu d'une commande de mise en marche/arrêt. Pour allumer le brûleur Sear Station® vous devez d'abord allumer les deux brûleurs principaux adjacents.

Allumage automatique des brûleurs principaux adjacents

Remarque : Chacun des allumeurs automatiques des boutons de commande des brûleurs produit une étincelle à partir de l'électrode de l'allumeur vers le tube d'allumage du brûleur. C'est vous qui générez l'énergie nécessaire à la production de l'étincelle en enfonçant le bouton de commande et en le positionnant sur MARCHE/ELEVE. Ceci allume chaque brûleur individuel.

⚠ MISE EN GARDE : Inspectez le tuyau avant toute utilisation du barbecue afin de détecter toute trace d'entaille, de fissure, d'abrasions ou de coupures. Si le tuyau se révèle détérioré de quelque manière que ce soit, n'utilisez pas le barbecue. Remplacez le tuyau en utilisant uniquement un tuyau de rechange homologué par Weber®. Contactez le Représentant du Service clientèle le plus proche grâce aux coordonnées à votre disposition sur notre site Internet. Connectez-vous sur www.weber.com.

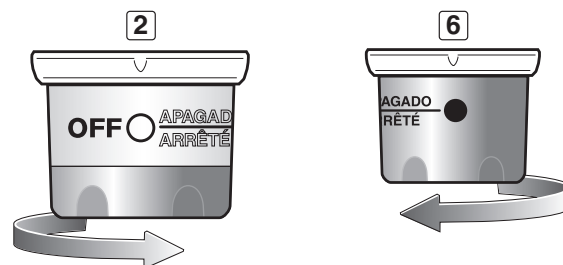
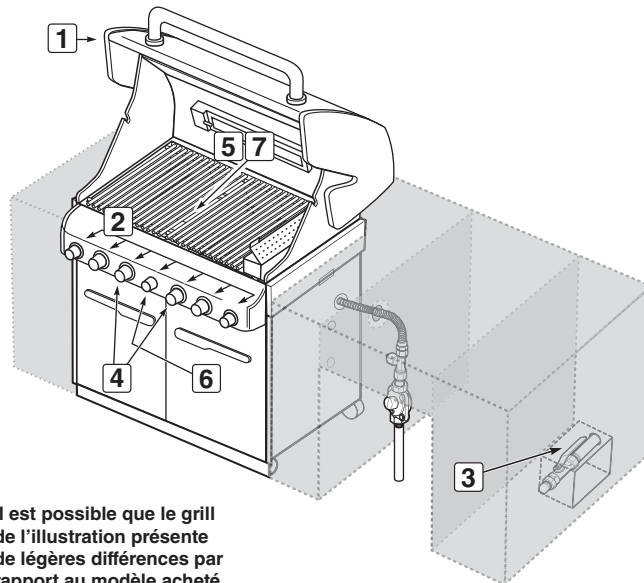
- A) Ouvrez le couvercle (1).
- B) Assurez-vous que tous les boutons de commande du brûleur sont positionnés sur ARRÊTÉ (2). (Enfoncez le bouton de commande et tournez-le dans le sens des aiguilles d'une montre pour vous assurer qu'il est positionné sur ARRÊTÉ.)
- C) Ouvrez l'arrivée de gaz à la source (3).
- ⚠ MISE EN GARDE : Ne vous penchez pas au-dessus du barbecue ouvert.**
- D) Allumez chacun des brûleurs principaux adjacents du brûleur Sear Station® (4). Enfoncez le bouton de commande et positionnez-le sur MARCHE/ELEVE jusqu'à ce que vous entendiez le déclic de l'allumeur - continuez à maintenir la bouton de commande enfoncé pendant deux secondes. Cette action produit une étincelle au niveau de l'allumeur, du tube d'allumage du brûleur puis du brûleur principal.
- E) Vérifiez que le brûleur est allumé en regardant à travers les grilles de cuisson (5). Vous devriez voir une flamme. Si le brûleur ne s'allume pas au premier essai, enfoncez le bouton de commande et positionnez-le sur ARRÊTÉ. Répétez la procédure d'allumage une seconde fois.

Allumage du brûleur Sear Station® : allumage depuis un brûleur principal allumé adjacent

- F) Positionnez le bouton de commande du brûleur Sear Station® sur ON (6).
- G) Vérifiez l'allumage du brûleur en effectuant une inspection visuelle de la flamme (7).
- ⚠ MISE EN GARDE : Si l'allumage ne se produit pas sous cinq secondes, positionnez la commande du brûleur sur ARRÊTÉ, patientez cinq minutes, puis répétez les étapes F & G, ou consultez les instructions "ALLUMAGE MANUEL DU BRULEUR SEAR STATION®".**
- ⚠ MISE EN GARDE : Si le brûleur ne s'allume toujours pas, positionnez le bouton de commande du brûleur sur ARRÊTÉ puis patientez 5 minutes pour laisser le gaz se dissiper avant d'essayer à nouveau ou d'essayer d'allumer le brûleur à l'aide d'une allumette.**
Remarque : Voir la Section Maintenance pour plus d'informations sur le retrait et la procédure de nettoyage du brûleur. ♦

POUR ETEINDRE

Enfoncez chaque bouton de commande et tournez-le dans le sens des aiguilles d'une montre pour le positionner sur ARRÊTÉ. Fermez l'arrivée de gaz à la source ♦.



ALLUMAGE & UTILISATION DE LA SEAR STATION®

ALLUMAGE MANUEL DU BRULEUR SEAR STATION®

⚠ DANGER

Le fait de ne pas ouvrir le couvercle pendant l'allumage des brûleurs du barbecue, ou de ne pas patienter 5 minutes pour laisser le gaz se dissiper si le barbecue ne s'allumait pas, pourrait provoquer un embrasement explosif susceptible de provoquer une blessure grave ou un décès.

Le brûleur Sear Station® est pourvu d'une commande de mise en marche/arrêt. Pour allumer le brûleur Sear Station® vous devez d'abord allumer les deux brûleurs principaux adjacents.

Allumage automatique du brûleur principal adjacent

Remarque : Chacun des allumeurs automatiques des boutons de commande du brûleur principal crée une étincelle à partir de l'électrode de l'allumeur vers le tube d'allumage du brûleur. C'est vous qui générez l'énergie nécessaire à la production de l'étincelle en enfonçant le bouton de commande et en le positionnant sur MARCHE/ELEVE. Ceci allume chaque brûleur individuel.

- A) Ouvrez le couvercle (1).
- B) Vérifiez que chacun des brûleurs principaux adjacents du brûleur Sear Station® est allumé en procédant à une inspection visuelle de la flamme (2).
- C) Placez une allumette dans le porte-allumette et frottez-la.

⚠ **MISE EN GARDE : Ne vous penchez pas au-dessus du barbecue ouvert.**

- D) Insérez le porte-allumette et l'allumette allumée à travers les grilles de cuisson et les barres Flavorizer® pour allumer le brûleur Sear Station® (3).
- E) Enfoncez le bouton de commande du brûleur Sear Station® et positionnez-le sur ON (4).

⚠ **MISE EN GARDE : Si le brûleur ne s'allume pas, positionnez le bouton de commande du brûleur sur ARRÊTÉ et patientez 5 minutes pour laisser le gaz se dissiper avant d'essayer à nouveau.**

Remarque : Voir la section "MAINTENANCE" pour des informations sur le retrait du brûleur et la procédure de nettoyage. ♦

POUR ETEINDRE

Enfoncez et tournez chaque bouton de commande dans le sens des aiguilles d'une montre vers la position ARRÊTÉ. Fermez l'arrivée de gaz à la source. ♦

UTILISATION DU BRULEUR SEAR STATION®

Votre barbecue à gaz Weber® est livré avec un brûleur à saisir (pour saisir les viandes comme les steaks, les pièces de volaille, le poisson et les côtes).

La saisie est une technique de cuisson au grill direct qui fait brunir la surface des aliments à une température élevée. En saisissant ou en faisant dorer les deux côtés de la viande, vous créez une saveur plus souhaitable en caramélisant la surface des aliments. La saisie optimise également l'aspect de la viande grâce aux marques de saisie laissées par les grilles de cuisson. Ceci combiné au contraste des textures et des saveurs peut rendre les aliments plus intéressants pour le palais.

Le brûleur Sear Station® est pourvu d'une commande de mise en marche/arrêt qui fonctionne avec les deux brûleurs principaux adjacents. Avec le brûleur à saisir et les deux brûleurs adjacents vous pouvez saisir efficacement les viandes tout en utilisant les autres surfaces de cuisson pour cuisiner à température modérée.

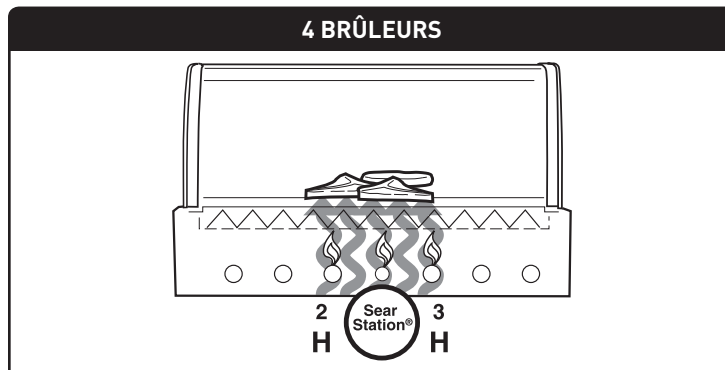
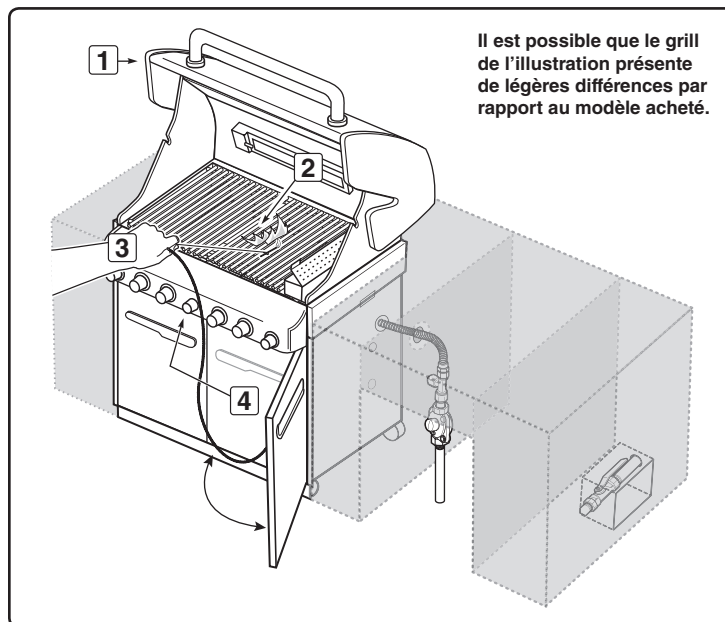
Avant de saisir les aliments, vous devriez positionner tous les brûleurs principaux sur ELEVE pendant 15 minutes pour préchauffer le grill. Remarque : Grillez toujours les aliments avec le couvercle fermé pour obtenir un maximum de chaleur et éviter les embrasements.

Une fois que le grill a été préchauffé, éteignez les brûleurs extérieurs ou réglez-les sur une faible puissance. Laissez les deux brûleurs centraux positionnés sur ELEVE et allumez le brûleur Sear Station.

Placez la viande directement sur le brûleur Sear Station®. Vous saisirez chaque côté de 1 à 4 minutes, en fonction du type de viande et de son épaisseur. Vous pouvez retourner les aliments d'un quart de tour pour obtenir des marques de grillade croisées (1) avant de saisir l'autre côté de la même manière.

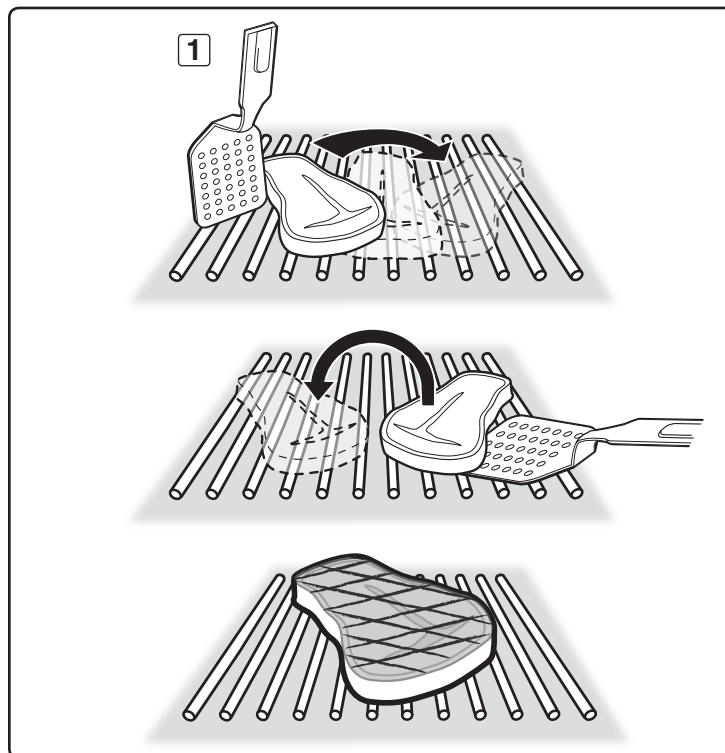
Une fois que vous avez saisi les aliments, vous pouvez terminer la grillade en déplaçant la viande vers une température plus modérée sur les brûleurs externes pour atteindre le niveau de cuisson souhaité.

Au fur et à mesure que vous gagnez en expérience avec votre brûleur Sear Station®, nous vous encourageons à expérimenter différentes durées de saisie afin de découvrir les résultats les plus adaptés à votre goût. ♦



MÉTHODE POUR SAISIR LES ALIMENTS

Les aliments sont placés dans la zone de chaleur intense entre les brûleurs allumés



ALLUMAGE & UTILISATION DU BRULEUR DU FUMOIR

ALLUMAGE DU BRULEUR DU FUMOIR

⚠ DANGER

Le fait de ne pas ouvrir le couvercle pendant que vous allumez le grill, ou de ne pas patienter 5 minutes pour laisser le gaz se dissiper si le grill ne s'allumait pas, pourrait entraîner un embrasement explosif susceptible de provoquer une blessure grave ou un décès.

Allumage du bruleur du fumoir avec le bouton

Remarque : L'allumeur à bouton de commande crée une étincelle à partir de l'électrode de l'allumeur en direction du tube d'allumage du brûleur. Vous générez l'énergie nécessaire à la création de l'étincelle en enfonçant le bouton de commande et en le tournant vers MARCHE/ELEVE. Ceci allume le brûleur du fumoir.

⚠ **MISE EN GARDE : Vérifiez le tuyau avant chaque utilisation du grill afin de détecter toute entaille, fissure, abrasion ou coupure. Si vous découvrez que le tuyau est détérioré de quelque manière que ce soit, n'utilisez pas le grill. Remplacez le tuyau en utilisant uniquement un tuyau de rechange agréé par Weber®. Veuillez entrer en contact avec le Représentant du Service clientèle le plus proche grâce aux coordonnées à votre disposition sur notre site Internet. Connectez-vous sur www.weber.com.**

- Ouvrez le couvercle du grill (1).
 - Ouvrez le couvercle du boîtier du fumoir (2).
 - Remplissez le fumoir de petits morceaux de bois ou de copeaux de bois imbibés d'eau (3).
 - Assurez-vous que la totalité des boutons de commandes des brûleurs inutilisés est positionnée sur ARRÊTÉ (4). (Enfoncez le bouton de commande et tournez dans le sens des aiguilles d'une montre pour vous assurer qu'il est positionné sur ARRÊTÉ.)
 - Ouvrez le gaz à la source (5).
- ⚠ **MISE EN GARDE : Ne vous penchez pas au-dessus du grill ouvert lorsque vous l'allumez.**
- Enfoncez le bouton de commande puis positionnez-le sur MARCHE/ELEVE jusqu'à ce que vous entendiez l'allumeur émettre un déclic (6), continuez à maintenir le bouton de commande enfoncé pendant deux secondes. Cette action déclenchera une étincelle au niveau de l'allumeur, du tube d'allumage du brûleur, puis du brûleur du fumoir.
 - Vérifiez si le brûleur est allumé en regardant à travers les grilles de cuisson (7). Vous devriez voir une flamme. Si le brûleur ne s'allume pas au premier essai, enfoncez le bouton de commande et positionnez-le sur ARRÊTÉ. Répétez la procédure d'allumage une seconde fois.

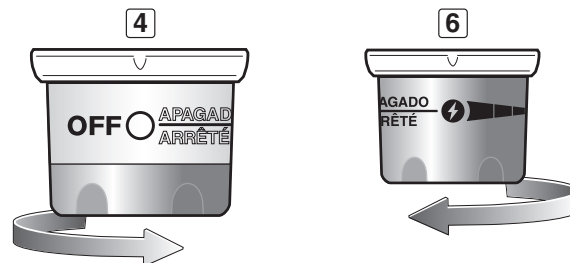
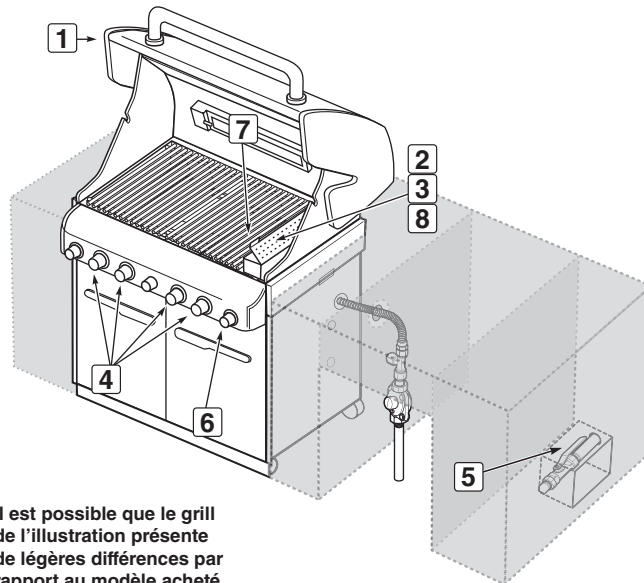
⚠ DANGER

Si le brûleur du fumoir ne s'allume pas, tournez le bouton de commande du brûleur vers ARRÊTÉ puis patientez 5 minutes pour laisser le gaz se dissiper avant de tenter de l'allumer (voir "ALLUMAGE MANUEL DU BRULEUR DU FUMOIR").

- Fermez le couvercle du fumoir une fois que le bois a commencé à brûler puis tournez le bouton de commande vers LOW. ♦

POUR ETEINDRE

Enfoncez et tournez chaque bouton de commande du brûleur dans le sens des aiguilles d'une montre vers la position ARRÊTÉ. Fermez l'arrivée de gaz à la source. ♦



ALLUMAGE & UTILISATION DU BRULEUR DU FUMOIR

ALLUMAGE MANUEL DU BRULEUR DU FUMOIR

A) Ouvrez le couvercle (1).

⚠ DANGER

Le fait de ne pas ouvrir le couvercle pendant l'allumage du grill, ou de ne pas patienter 5 minutes pour laisser le gaz se dissiper si le grill ne s'allumait pas, peut entraîner un embrasement explosif susceptible de provoquer une blessure grave ou la mort.

B) Ouvrez le couvercle du boîtier du fumoir (2).

C) Remplissez le fumoir de petits morceaux de bois ou de copeaux imbibés d'eau (3).

D) Assurez-vous que la totalité des boutons de commandes des brûleurs inutilisés est positionnée sur ARRÊTÉ (4). (Enfoncez le bouton de commande et tournez dans le sens des aiguilles d'une montre pour vous assurer qu'il est positionné sur ARRÊTÉ.)

E) Ouvrez le gaz à la source (5).

F) Placez une allumette dans le porte-allumette puis frottez-la.

G) Insérez le porte-allumette et allumez le brûleur du fumoir avec l'allumette à travers les grilles de cuisson et les barres Flavorizer® (6).

⚠ **MISE EN GARDE : Ne vous penchez pas au-dessus du grill ouvert pendant l'allumage.**

H) Enfoncez le bouton de commande du brûleur du fumoir puis positionnez-le sur MARCHE/ELEVE (7).

I) Vérifiez que le brûleur est allumé en regardant à travers la grille de cuisson (8).

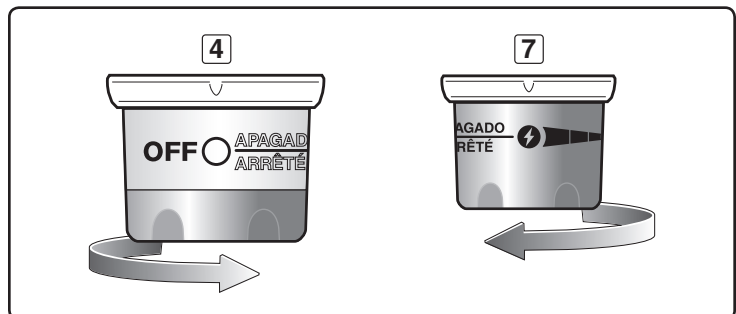
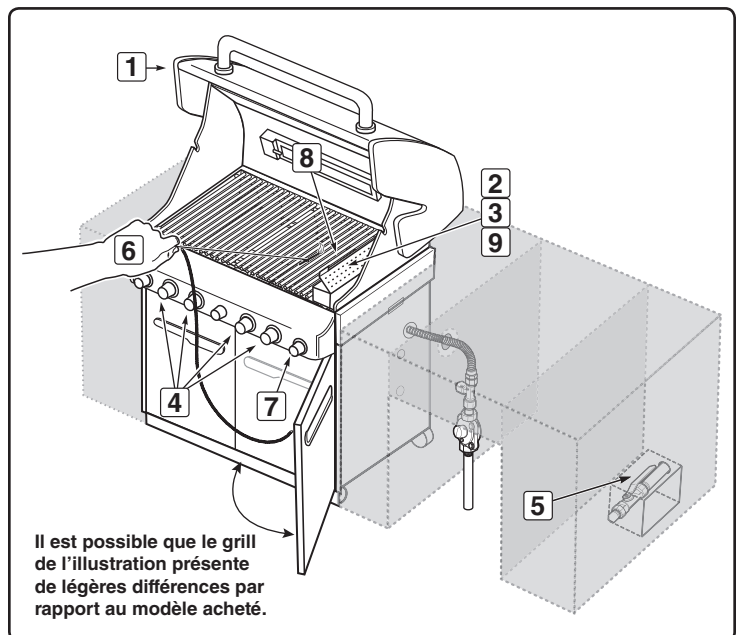
⚠ DANGER

Si le brûleur du fumoir ne s'allume pas, positionnez le bouton de commande du brûleur sur ARRÊTÉ et patientez 5 minutes pour laisser le gaz se dissiper avant d'essayer à nouveau.

J) Fermez le couvercle du fumoir une fois que le bois a commencé à brûler et positionnez le bouton de commande sur LOW (9). ♦

POUR ETEINDRE

Enfoncez et tournez chaque bouton de commande du brûleur dans le sens des aiguilles d'une montre vers la position ARRÊTÉ. Fermez l'arrivée de gaz à la source. ♦



ALLUMAGE & UTILISATION DU BRULEUR DU FUMOIR

UTILISATION DU FUMOIR

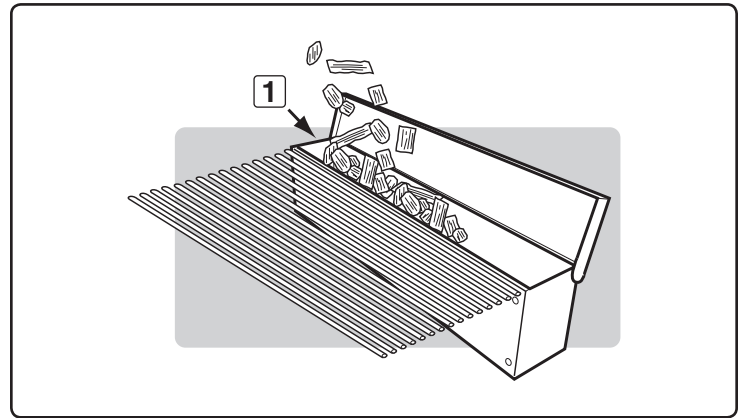
Le fumoir fonctionne avec de petits morceaux de bois imbibés d'eau au préalable. Pour un résultat optimal avec les aliments à cuisson rapide comme les steaks, les burgers et les côtes, etc., nous recommandons l'utilisation de copeaux de bois plus fins parce que ceux-ci brûlent et produisent de la fumée plus rapidement. Pour les aliments à cuisson lente comme les rôtis, le poulet et les dindes, etc., nous recommandons l'utilisation de morceaux de bois plus grands parce que ceux-ci brûlent lentement et fournissent de la fumée pendant plus longtemps. Au fur et à mesure que vous gagnez de l'expérience dans l'utilisation de votre fumoir, nous vous encourageons à expérimenter différents mélanges de pépites et de copeaux de bois pour trouver la saveur fumée la plus adaptée à vos goûts.

Pour commencer, plongez les copeaux de bois dans l'eau pendant au moins 30 minutes avant de les utiliser. (Du bois humide produit davantage de saveur fumée.) Placez une poignée de copeaux de bois ou quelques morceaux de bois plus gros au bas de la structure du fumoir (1). Au fur et à mesure que vous acquérez l'expérience du fumage, augmentez ou diminuez la quantité de bois pour l'adapter à vos goûts.

Remarque : Effectuez toujours vos grillades avec le couvercle fermé afin de permettre à la fumée de pénétrer totalement les aliments. Allumez le brûleur du fumoir en suivant les instructions pour l'Allumage du brûleur du fumoir. Une fois que le bois a commencé à se consumer, positionnez le bouton de commande sur FAIBLE.

Le bois commence à fumer après environ 10 minutes et fume jusqu'à 45 minutes. Si vous avez besoin de plus de saveur fumée, rechargez le fumoir en pépites et/ou copeaux de bois. Maintenez le couvercle du grill fermé pendant la cuisson.

Remarque : Une fois que vous avez rechargé le fumoir, il faut environ 10 à 15 minutes pour que celui-ci produise à nouveau de la fumée. Vous pouvez utiliser le fumoir pour relever vos recettes de viande, de volaille et de poisson. Cuisinez avec le couvercle fermé en respectant les durées indiquées dans les tableaux ou les recettes.



⚠ DANGER

N'utilisez pas de fluide inflammable pour allumer le bois dans le fumoir. Ceci provoquerait une blessure grave. ♦

NETTOYAGE DU FUMOIR

Avant chaque utilisation, videz les cendres du fumoir pour permettre une circulation d'air correcte.

Remarque : La fumée laisse un dépôt de "fumée" à la surface du fumoir. Ce dépôt ne peut pas être retiré et n'a aucune influence sur le fonctionnement du fumoir. A un degré moindre, un dépôt de "fumée" s'accumule à l'intérieur de votre grill à gaz. Ce dépôt n'a pas besoin d'être retiré et n'a aucune influence négative sur le fonctionnement de votre grill à gaz. ♦

ALLUMAGE & UTILISATION DU BRÛLEUR DE LA RÔTISSOIRE

ALLUMAGE DU BRÛLEUR DE LA RÔTISSOIRE

Bouton d'allumage du brûleur de la rôtissoire

Remarque : L'allumeur de chaque bouton de commande crée une étincelle en provenance de l'électrode de l'allumeur vers le tube d'allumage du brûleur. Vous générez l'énergie nécessaire à la création de l'étincelle en enfonçant le bouton de commande et en le tournant vers MARCHE/ELEVE. Ceci allume chaque brûleur individuellement.

⚠ ATTENTION : LISEZ CECI AVANT D'ALLUMER LE BRÛLEUR DE LA RÔTISSOIRE

Après une période d'inutilisation, avant d'allumer le Brûleur de la rôtissoire, quelques secondes doivent s'écouler pour que la conduite de gaz d'alimentation se remplisse.

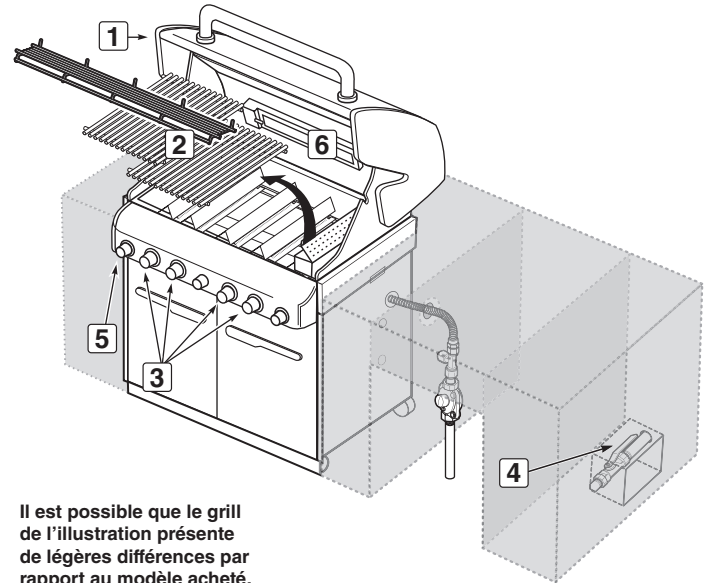
Lorsque vous utilisez le bouton d'allumage, vous voyez un éclair de flammes se déplacer de gauche à droite à travers la surface du Brûleur de la rôtissoire, le Brûleur de la rôtissoire n'est pas allumé tant que la totalité de la surface en céramique n'est pas allumée. A partir de ce moment, commencez à décompter 20 secondes avant de relâcher le bouton de commande du Brûleur de la rôtissoire. La surface du Brûleur de la rôtissoire rougeoit une fois que le brûleur est complètement allumé.

⚠ DANGER

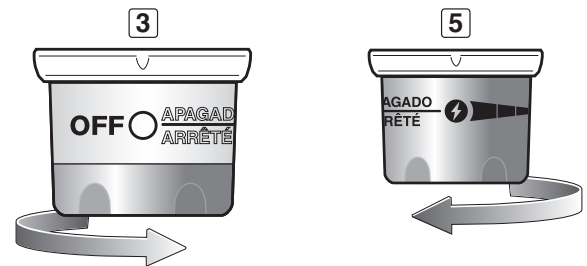
Le fait de ne pas ouvrir le couvercle lorsque vous allumez le grill, ou de ne pas patienter 5 minutes pour laisser le gaz se dissiper si le grill ne s'allumait pas, pourrait entraîner un embrasement explosif susceptible de provoquer une blessure grave ou la mort.

- ⚠ ATTENTION : Il peut être difficile de voir la flamme du Brûleur de la rôtissoire par une journée lumineuse et ensoleillée.
- ⚠ MISE EN GARDE : Vérifiez le tuyau avant chaque utilisation du grill afin de détecter toute entaille, fissure, abrasion ou coupure. Si le tuyau se révèle détérioré de quelque manière, n'utilisez pas le grill. Ne remplacez le tuyau que par un tuyau de rechange agréé par Weber®. Veuillez entrer en contact avec le Représentant du Service clientèle le plus proche grâce aux coordonnées à votre disposition sur notre site Internet. Connectez-vous sur www.weber.com®.

- A) Ouvrez le couvercle (1).
- B) Retirez la grille de maintien au chaud et les grilles de cuisson du boîtier de cuisson. (2)
- C) Assurez-vous que tous les boutons de commande des brûleurs sont positionnés sur ARRÊTÉ (3). (Enfoncez le bouton de commande puis tournez-le dans le sens des aiguilles d'une montre pour vous assurer qu'il est positionné sur ARRÊTÉ.)
- D) Ouvrez le gaz à la source (4).
- ⚠ MISE EN GARDE : Ne vous penchez pas au-dessus du grill ouvert.
- E) Enfoncez le bouton de commande et positionnez-le sur MARCHE/ELEVE (5). Cette action provoque une étincelle au niveau de l'allumeur et allume le Brûleur de la rôtissoire. Continuez à utiliser l'allumeur automatique jusqu'à ce que le Brûleur de la rôtissoire soit allumé. Maintenez le bouton de commande enfoncé jusqu'à vingt secondes à partir du moment où le brûleur s'est allumé. Relâchez le bouton de commande.
- F) Vérifiez que le brûleur est allumé en regardant si le brûleur de la rôtissoire rougeoit (6).
- ⚠ MISE EN GARDE : Si le brûleur de la rôtissoire ne s'allume pas, positionnez le bouton de commande du brûleur sur ARRÊTÉ puis patientez 5 minutes pour laisser le gaz se dissiper avant d'essayer à nouveau ou d'essayer d'allumer le brûleur avec une allumette.



Il est possible que le grill de l'illustration présente de légères différences par rapport au modèle acheté.



Remarque : Lorsque vous utilisez la rôtissoire avec le couvercle fermé, allumez seulement deux des brûleurs principaux de chaque côté des aliments (Voir les Méthodes pour les grillades - Cuisson indirecte). Vérifiez vos aliments de temps en temps pour empêcher une cuisson excessive à l'extérieur. Éteignez le brûleur de la rôtissoire une fois que les aliments ont doré jusqu'à la teinte souhaitée. Finissez la cuisson à la chaleur Indirecte. ♦

POUR ÉTEINDRE

Enfoncez et tournez le bouton de commande du brûleur dans le sens des aiguilles d'une montre pour le positionner sur "ARRÊTÉ". Fermez l'arrivée de gaz à la source. ♦

ALLUMAGE & UTILISATION DU BRÛLEUR DE LA RÔTISSOIRE

ALLUMAGE MANUEL DU BRÛLEUR DE LA RÔTISSOIRE

⚠ ATTENTION : LISEZ CECI AVANT DE PROCÉDER À L'ALLUMAGE DU BRÛLEUR DE LA RÔTISSOIRE

Après une période d'inutilisation, avant d'allumer le Brûleur de la rôtissoire, vous devez patienter quelques secondes pour que la conduite d'arrivée de gaz se remplisse. Lorsque vous avancez une allumette en direction du brûleur de la rôtissoire vous voyez un éclair de flammes se déplaçant de gauche à droite à travers la surface du Brûleur de la rôtissoire, le Brûleur de la rôtissoire n'est pas allumé tant que la totalité de la surface en céramique n'est pas enflammée. A partir de cet instant, commencez un décompte de 20 secondes avant de relâcher le bouton de commande du Brûleur de la rôtissoire. La surface du Brûleur de la rôtissoire rougeoie une fois que le brûleur est totalement allumé.

⚠ DANGER

Le fait de ne pas ouvrir le couvercle pendant que vous allumez le grill, ou de ne pas patienter 5 minutes pour laisser le gaz se dissiper si le grill ne s'allumait pas, pourrait entraîner un embrasement explosif susceptible de provoquer une blessure grave ou la mort.

- ⚠ **ATTENTION** : Il peut être difficile de voir la flamme du Brûleur de la rôtissoire par une journée ensoleillée.
- ⚠ **MISE EN GARDE** : Vérifiez le tuyau avant chaque utilisation du grill afin de détecter toute entaille, fissure, abrasion ou coupure. Si le tuyau se révèle détérioré de quelque manière, n'utilisez pas le grill. Remplacez-le uniquement par un tuyau de rechange agréé par Weber®. Veuillez entrer en contact avec le Représentant du Service clientèle de votre région grâce aux coordonnées à votre disposition sur notre site Internet. Connectez-vous sur www.weber.com®.

- A) Ouvrez le couvercle (1).
- B) Retirez la grille de maintien au chaud et les grilles de cuisson du boîtier de cuisson (2).
- C) Assurez-vous que tous les boutons de commande des brûleurs sont positionnés sur ARRÊTÉ (3). (Enfoncez le bouton de commande et tournez-le dans le sens des aiguilles d'une montre pour vous assurer qu'il est positionné sur ARRÊTÉ.)
- D) Ouvrez le gaz à la source (4).
- E) Placez une allumette dans le porte-allumette puis frottez-la.
- F) Tenez le porte-allumette et allumez le brûleur de la rôtissoire avec l'allumette depuis le côté droit (5).

⚠ MISE EN GARDE : Ne vous penchez pas au-dessus du grill ouvert.

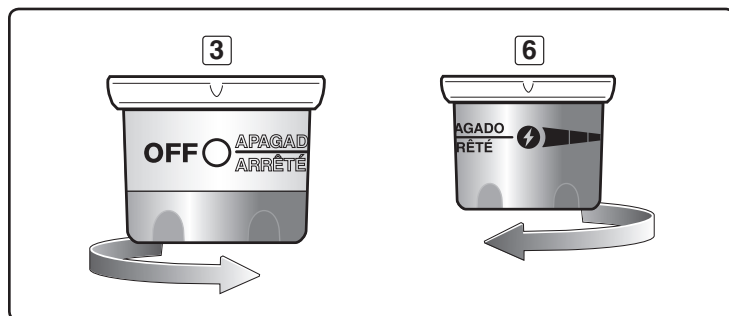
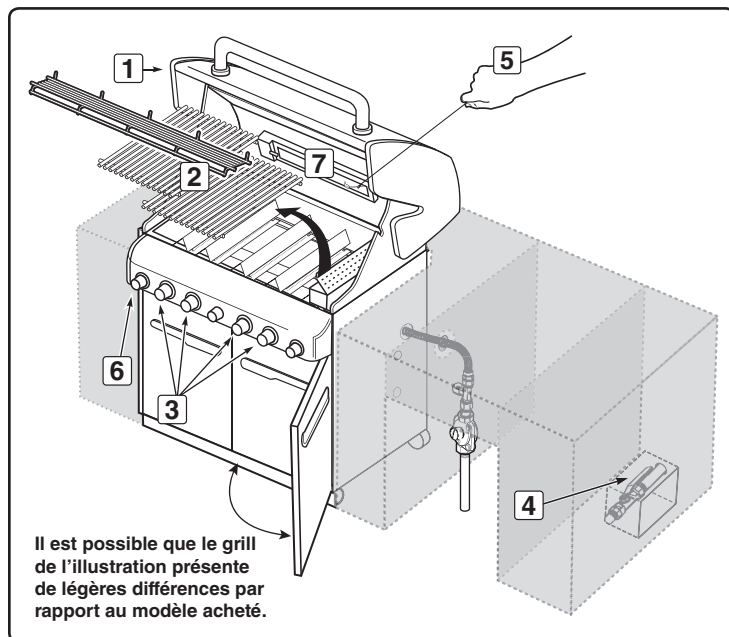
- G) Enfoncez le bouton de commande du brûleur de la rôtissoire puis positionnez-le sur MARCHE/ELEVE (6). Maintenez le bouton de commande enfoncé jusqu'à vingt secondes à partir du moment où le brûleur s'est allumé.
- H) Vérifiez que le brûleur est allumé en regardant si le brûleur de la rôtissoire rougeoie (7).

⚠ MISE EN GARDE : Si le brûleur de la rôtissoire ne s'allume pas, positionnez le bouton de commande du brûleur sur ARRÊTÉ puis patientez 5 minutes pour laisser le gaz se dissiper avant d'essayer à nouveau.

Remarque : Lorsque vous utilisez la rôtissoire avec le couvercle fermé, allumez seulement deux des brûleurs principaux au-dessous des aliments (Voir les Méthodes pour les grillades - Cuisson indirecte). Vérifiez régulièrement l'état de vos aliments pour empêcher que l'extérieur ne soit trop cuit. Fermez le brûleur de la rôtissoire une fois que les aliments ont doré jusqu'à la teinte souhaitée. Finissez la cuisson grâce à la chaleur Indirecte. ♦

POUR ÉTEINDRE

Enfoncez et tournez le bouton de commande du brûleur dans le sens des aiguilles d'une montre vers la position ARRÊTÉ. Fermez l'arrivée de gaz à la source. ♦



PRECAUTIONS DE SECURITE IMPORTANTES

Remarque : Avant d'utiliser votre rôtissoire, mesurez votre aliment au point le plus large. Si la mesure est supérieure à 9 1/2" (241,8mm), votre aliment est trop grand pour entrer dans la rôtissoire. S'il est trop grand, votre aliment peut être préparé en utilisant un support à rôtir et la Méthode de cuisson indirecte.

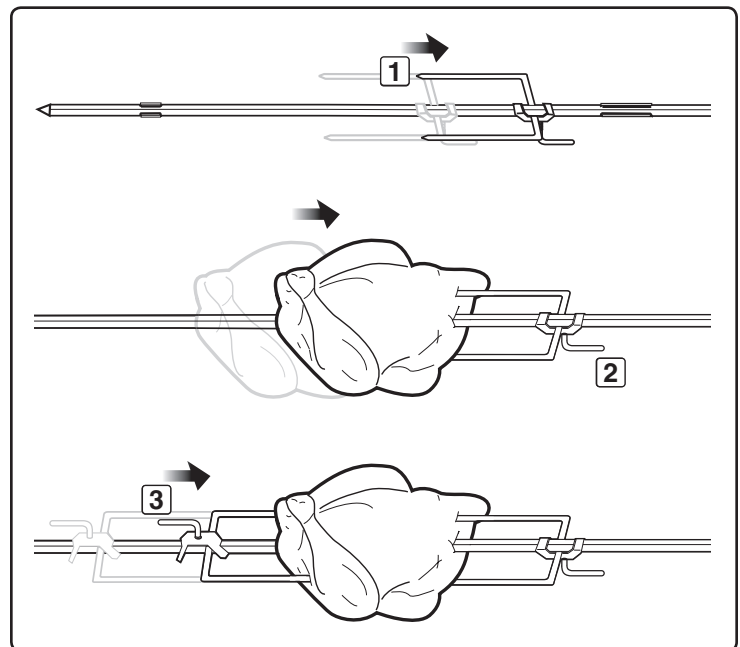
⚠ MISES EN GARDE

- ⚠ Lisez toutes les instructions avant d'utiliser votre rôtissoire.
- ⚠ Cette rôtissoire convient pour une utilisation en extérieur uniquement.
- ⚠ Retirez le moteur et rangez-le au sec lorsque vous ne l'utilisez pas.
- ⚠ Ne touchez pas les surfaces à haute température. Utilisez des gants de cuisinier.
- ⚠ Cette rôtissoire ne convient pas à une utilisation par des enfants.
- ⚠ Afin de vous protéger contre tout risque électrique, ne plongez pas le cordon d'alimentation, les fiches ou le moteur dans l'eau ni dans d'autres liquides.
- ⚠ Débranchez le moteur de la prise secteur lorsque vous ne l'utilisez pas ou avant de le nettoyer.
- ⚠ N'utilisez pas la rôtissoire pour un autre usage que celui pour lequel elle a été conçue.
- ⚠ Assurez-vous que le moteur est arrêté avant de le placer sur son support.
- ⚠ Ne faites pas fonctionner le moteur de la rôtissoire si le cordon d'alimentation ou la prise sont détériorés.
- ⚠ N'utilisez pas le moteur de la rôtissoire en cas de dysfonctionnement.
- ⚠ Le moteur de la rôtissoire est équipé d'un cordon d'alimentation à trois ergots (de raccordement à la terre) afin de vous protéger contre les risques d'électrocution.
- ⚠ Le cordon d'alimentation devrait être branché directement dans un réceptacle à trois ergots correctement raccordé à la terre. Si l'utilisation d'un cordon de rallonge est nécessaire, assurez-vous qu'il s'agit au minimum d'un cordon de 16 AWG (1,3 mm) à 3 brins bien isolé comportant une indication selon laquelle il CONVIENT POUR UNE UTILISATION EN EXTERIEUR UNIQUEMENT et qu'il est correctement raccordé à la terre.
- ⚠ Lorsque vous utilisez un cordon de rallonge, assurez-vous que celui-ci n'entre pas en contact avec une surface à haute température ou avec une surface coupante.
- ⚠ Les cordons de rallonge d'extérieur devraient comporter l'inscription "W-A" et une étiquette indiquant "Convient pour une utilisation avec des appareils d'extérieur".
- ⚠ Ne coupez pas ou ne retirez pas l'ergot de raccordement à la terre du cordon d'alimentation du moteur de la rôtissoire.
- ⚠ Ne laissez pas le cordon pendre au-dessus de toute extrémité coupante ou de toute surface à haute température.
- ⚠ N'exposez pas le moteur de la rôtissoire à la pluie.
- ⚠ Pour réduire le risque de choc électrique, maintenez le raccord du cordon de rallonge au sec et éloigné du sol.
- ⚠ Un cordon d'alimentation court est fourni afin de réduire le risque de se prendre les pieds dedans. Vous pouvez utiliser des cordons de rallonge mais vous devez faire preuve de prudence afin de ne pas trébucher sur le cordon.
- ⚠ En l'absence de codes régionaux, le moteur de la rôtissoire doit être raccordé au sol électriquement conformément au Code national de l'électricité, ANSI / NFPA 70, ou au Code de l'électricité du Canada, CSA C22.1. ♦

UTILISATION DE LA ROTISSOIRE

⚠ **MISE EN GARDE** : Préparez la rôtissoire avec des aliments avant d'allumer le brûleur de la rôtissoire.

- A) Branchez le cordon d'alimentation électrique sur une source de courant.
- ⚠ **ATTENTION** : Ne faites pas passer le cordon d'alimentation du moteur de la rôtissoire à travers l'ouverture rétractable de la rôtissoire dans la tablette latérale.
- ⚠ **ATTENTION** : Inspectez le cordon d'alimentation avant chaque utilisation. Si le cordon est détérioré, ne l'utilisez pas. Contactez le Représentant du service clientèle de votre région en utilisant les coordonnées à votre disposition sur notre site Internet. Connectez-vous sur www.weber.com®.
- B) Faites glisser l'une des fourches de l'axe vers le côté droit de l'axe de la rôtissoire, en vous assurant que les pointes soient orientées vers la gauche et que la vis de fourche soit orientée vers le bas (1).
- C) Enfoncez l'axe de la rôtissoire jusqu'au centre des aliments. Insérez les extrémités des deux fourches de la broche dans les aliments. Les aliments devraient être centrés sur l'axe. Serrez la vis de la fourche de la broche (2).
- D) Glissez une autre fourche de broche sur l'axe de la rôtissoire, en vous assurant que les pointes soient face à la droite et que la vis de la fourche soit orientée vers le haut. Insérez les extrémités des deux fourches de la broche dans les aliments. Serrez la vis de la fourche de la broche (3).



ALLUMAGE & UTILISATION DU BRULEUR DE LA ROTISSOIRE

- E) Insérez l'extrémité pointue de l'axe de la rotissoire dans le moteur. Abaissez la broche de la rotissoire dans les encoches sur le boîtier de cuisson (4).
- F) L'axe de la rotissoire devrait pivoter de sorte que le côté le plus lourd de la viande ou de la volaille pivote vers le bas. Les grosses pièces peuvent nécessiter le retrait des grilles de cuisson et la grille de maintien au chaud pour permettre la rotation complète de l'axe. Remontez les aliments si nécessaire pour un meilleur équilibre.
- G) Allumez le moteur. ♦

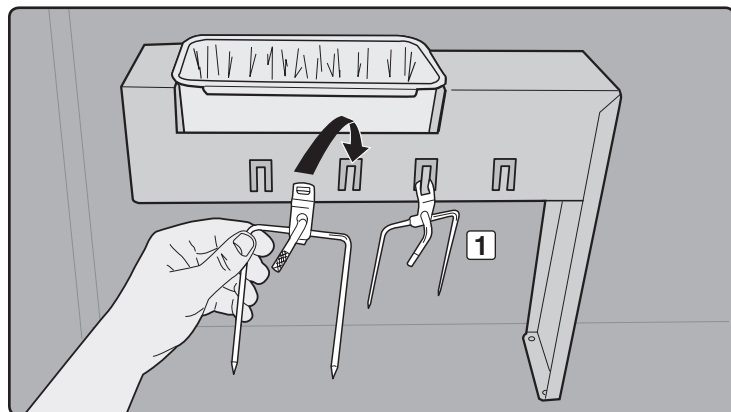
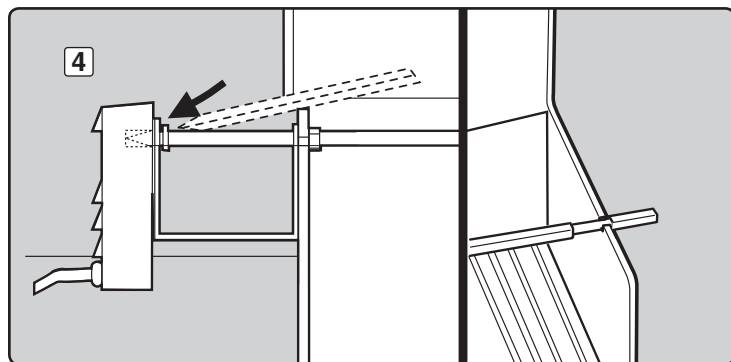
CUISINER AVEC LA ROTISSOIRE

- Les viandes (à l'exception de la volaille et de la viande hachée) devraient être amenées à température ambiante avant la cuisson. (20 à 30 minutes devraient être adaptées pour la plupart des aliments. Si les aliments sont congelés, décongelez-les complètement avant la cuisson.)
- Liez la viande ou la volaille à l'aide d'une ficelle, le cas échéant, pour rendre la forme aussi uniforme que possible avant de la placer sur la broche.
- Retirez les grilles de cuisson et la grille de maintien au chaud pour permettre aux aliments de tourner librement.
- Suivez les instructions pour l'allumage du brûleur de la rotissoire.
- Réglez le brûleur de la rotissoire sur moyen-élevé en vous basant sur les températures de l'air ambiant.
- Placez les aliments dans la zone du brûleur.
- Si vous souhaitez conserver les jus de viande pour la sauce gravy, placez un égouttoir directement au-dessous des aliments au-dessus des barres Flavorizer®.
- Les étapes de préparation des aliments sont les mêmes pour la cuisson à la rotissoire que pour une cuisson ordinaire.
- La totalité de la cuisson s'effectue avec le couvercle fermé.
- Si les aliments sont trop lourds ou si leurs formes sont irrégulières, il est possible qu'ils ne tournent pas bien et ils devraient être cuits avec la Méthode indirecte sans utiliser la rotissoire.
- Le fumoir peut être utilisé en association avec la rotissoire pour davantage de saveur fumée.

Remarque : Lorsque vous utilisez le brûleur de la rotissoire, le thermomètre du grill ne reflète pas la température à l'intérieur du boîtier de cuisson. ♦

RANGEMENT DES FOURCHES DE LA ROTISSOIRE

- A) Retirez les fourches de la broche de la rotissoire.
- B) Rangez les fourches de la rotissoire en les plaçant sur les crochets situés sur le support pour égouttoir à l'intérieur du meuble du grill (1). ♦



DEPANNAGE

PROBLEME	VERIFICATION	SOLUTION
<p>Les brûleurs produisent une flamme jaune ou orange, et une odeur de gaz se dégage (C'est normal pour le tube d'allumage du brûleur).</p> <p>Symptômes :</p> <p>Le brûleur ne s'allume pas, ou la flamme est petite en position ELEVE.</p>	Inspectez les Grilles anti-araignées/insectes pour détecter les obstacles potentiels. (Blocage des trous.)	Nettoyez les Grilles anti-araignées/insectes (voir "MAINTENANCE ANNUELLE").
	Le tuyau d'alimentation en combustible est-il plié ou pincé ?	Redressez le tuyau d'alimentation en combustible.
	Le brûleur s'allume-t-il avec une allumette ?	Nettoyez les brûleurs (voir "MAINTENANCE").
	Avez-vous utilisé l'allumeur à déclic plusieurs fois jusqu'à ce que le brûleur principal s'allume (voir "ALLUMAGE DU BRULEUR PRINCIPAL")?	Assurez-vous de maintenir le bouton de commande enfoncé pendant deux secondes une fois que vous avez appuyé sur l'allumeur et que vous avez vu la flamme orange sortir du tube d'allumage du brûleur.
	L'allumeur fonctionne-t-il (Voyez-vous une étincelle lorsque vous utilisez plusieurs fois le bouton de l'allumeur ?	Essayez d'allumer les brûleurs manuellement (voir "ALLUMAGE MANUEL DU BRULEUR PRINCIPAL"). Appelez le Service client.
<p>Des embrasements se produisent :</p> <p>⚠ ATTENTION : Ne couvrez-pas le plateau-égouttoir amovible d'une feuille de papier aluminium.</p>	Préchauffez-vous le barbecue selon la méthode recommandée ?	Tous les brûleurs sur ELEVE pendant 10 à 15 minutes pour le préchauffage.
	Les grilles de cuisson et les barres Flavorizer® sont-elles recouvertes d'une épaisse couche de graisse brûlée ?	Nettoyez méticuleusement (voir "NETTOYAGE").
	Le plateau inférieur est-il "sale" et empêche-t-il la graisse de s'écouler vers l'égouttoir ?	Nettoyez le plateau inférieur.
<p>L'aspect de la flamme du brûleur est irrégulier. La flamme est petite lorsque le brûleur est réglé sur ELEVE. Les flammes ne brûlent pas sur toute la longueur du tube du brûleur.</p>	Les brûleurs sont-ils propres ?	Nettoyez les brûleurs (voir "MAINTENANCE").
<p>L'intérieur du couvercle semble "s'écailler." (Cela ressemble à des éclats de peinture.)</p>	<p>Le couvercle est en émail ou en acier inoxydable, il n'est pas peint. Il ne peut pas "s'écailler". Ce que vous voyez, ce sont des éclats de graisse carbonisée qui se détachent du couvercle.</p> <p>IL NE S'AGIT PAS D'UN DEFAUT.</p>	Nettoyez méticuleusement (voir "NETTOYAGE").
<p>Les portes du placard ne sont pas alignées.</p>	Vérifiez la goupille de réglage au bas de chaque porte.	Desserrez le ou les écrou(s) de réglage. Faites glisser la ou les porte(s) jusqu'à ce que celle(s)-ci soi(en)t alignée(s). Serrez l'écrou.
<p>Si vous ne parvenez pas à résoudre les problèmes en utilisant ces méthodes, veuillez entrer en contact avec le Représentant du Service clientèle le plus proche grâce aux coordonnées à votre disposition sur notre site Internet. Connectez-vous sur www.weber.com®.</p>		

DEPANNAGE DE LA SEAR STATION®

PROBLEME	VERIFICATION	SOLUTION
<p>Les brûleurs ont une flamme jaune ou orange, en association avec une odeur de gaz (C'est normal pour le tube d'allumage du brûleur).</p> <p>Le brûleur Sear Station® ne s'allume pas.</p>	Inspectez les Grilles anti-araignées/insectes pour détecter toute obstruction potentielle. (Blocage des trous.)	Nettoyez les Grilles anti-araignées/insectes (voir "MAINTENANCE ANNUELLE").
	Avez-vous allumé les deux brûleurs principaux adjacents ? (Voir les instructions concernant la procédure d'allumage en toute sécurité "ALLUMAGE & UTILISATION DE VOTRE SEAR STATION®")	Vérifiez l'allumage des brûleurs adjacents principaux en effectuant une inspection visuelle de la flamme. ⚠ MISE EN GARDE: Si l'allumage ne se produit pas sous 5 secondes, positionnez la commande du brûleur sur ARRÊTÉ, patientez 5 minutes pour laisser le gaz se dissiper avant d'essayer à nouveau.
	Le brûleur s'allume-t-il avec une allumette ?	Si vous pouvez allumer le brûleur à l'aide d'une allumette, vérifiez alors le Canal Crossover® sur le brûleur à griller (voir la section "MAINTENANCE" pour la procédure de retrait et de nettoyage du brûleur).
	L'allumeur fonctionne-t-il ? (Voyez-vous une étincelle lorsque vous appuyez plusieurs fois sur l'allumeur automatique ?	Essayez d'allumer manuellement le brûleur (voir "ALLUMAGE & UTILISATION DE VOTRE SEAR STATION®"). Appelez le Service client.
<p>Si les problèmes ne peuvent pas être résolus en utilisant ces méthodes, veuillez contacter le Représentant du Service clientèle le plus proche grâce aux coordonnées à votre disposition sur notre site Internet. Connectez-vous sur www.weber.com®.</p>		

DEPANNAGE DE LA ROTISSOIRE

PROBLEME	VERIFICATION	SOLUTION
<p>Le brûleur de la rotissoire ne s'allume pas.</p>	Avez-vous maintenu le bouton de commande du brûleur de la rotissoire enfoncé pendant 20 secondes après l'allumage du brûleur ?	Essayez de rallumer le brûleur en maintenant le bouton de commande du brûleur enfoncé pendant 20 secondes une fois que le brûleur s'est allumé.
	Avez-vous attendu de voir la totalité de la surface en céramique allumée avant de décompter 20 secondes ?	Lorsque vous rallumez le brûleur en maintenant le bouton de commande du brûleur enfoncé, attendez de voir la totalité de surface en céramique allumée avant de décompter 20 secondes .
	Avez-vous utilisé le bouton d'allumage plusieurs fois jusqu'à ce que le brûleur s'allume ?	Après avoir patienté pendant cinq minutes pour laisser le gaz se dissiper, essayez plusieurs fois d'utiliser l'allumeur à déclic jusqu'à ce que le brûleur s'allume (voir "ALLUMAGE & UTILISATION DU BRULEUR DE LA ROTISSOIRE").
	L'allumeur fonctionne-t-il (Voyez-vous une étincelle lorsque vous utilisez plusieurs fois le bouton d'allumage ?	Essayez d'allumer le brûleur manuellement (voir "ALLUMAGE MANUEL DU BRULEUR DE LA ROTISSOIRE"). Appelez le Service client.
<p>Si vous ne parvenez pas à résoudre les problèmes en utilisant ces méthodes, veuillez entrer en contact avec le Représentant du Service clientèle le plus proche grâce aux coordonnées à votre disposition sur notre site Internet. Connectez-vous sur www.weber.com®.</p>		

DEPANNAGE DE L'ECLAIRAGE DE POIGNEE GRILL OUT™

PROBLEME	VERIFICATION	SOLUTION
<p>L'éclairage de poignée Weber Grill Out™ ne s'allume pas.</p>	Les piles sont-elles usagées ?	Remplacez les piles.
	Les piles sont-elles correctement installées ?	Voir l'illustration de montage.
	Le couvercle est-il en position haute et le bouton de mise en marche est-il positionné sur ON ?	La lumière s'allume lorsque le couvercle est ouvert.
	L'éclairage de poignée Weber Grill Out™ est-il activé ?	Appuyez sur le bouton de mise en marche.
	L'éclairage de poignée Weber Grill Out™ est-il positionné correctement sur la poignée ?	Ajustez la position de la lampe (Voir l'illustration de montage).
<p>Si vous ne parvenez pas à résoudre les problèmes en utilisant ces méthodes, veuillez entrer en contact avec le Représentant du Service clientèle le plus proche grâce aux coordonnées à votre disposition sur notre site Internet. Connectez-vous sur www.weber.com®.</p>		

NETTOYAGE

- ⚠ **MISE EN GARDE : Fermez votre barbecue à gaz Weber® et attendez que celui-ci ait refroidi avant de le nettoyer.**
- ⚠ **ATTENTION : Ne nettoyez pas vos barres Flavorizer® ou vos grilles de cuisson dans un four auto-nettoyant.**

Surfaces externes - Utilisez une solution d'eau savonneuse chaude pour le nettoyage, ensuite rincez à l'eau.

- ⚠ **ATTENTION : N'utilisez pas de nettoyant pour four, de détergents abrasifs (détergents de cuisine), de détergents contenant des agrumes, ni des tampons de nettoyage abrasifs sur les surfaces du barbecue ou du chariot.**

Sortez le plateau amovible en le faisant glisser - Retirez la graisse en excès, puis lavez à l'eau savonneuse chaude, avant de rincer.

- ⚠ **ATTENTION : Ne recouvrez pas le plateau de récupération des graisses amovible de papier aluminium.**

Barres Flavorizer® et grilles de cuisson - Nettoyez-les avec une brosse en acier inoxydable adaptée. Si nécessaire, retirez-les du grill et lavez-les à l'eau savonneuse chaude, puis rincez-les à l'eau.

Pour connaître la disponibilité des grilles de cuisson et des barres Flavorizer® de rechange, veuillez entrer en contact avec le Représentant du Service clientèle de votre région grâce aux coordonnées à votre disposition sur notre site Internet. Connectez-vous sur www.weber.com.

Égouttoir - Nous proposons des plats en aluminium jetables, ou vous pouvez recouvrir l'égouttoir de papier aluminium. Pour nettoyer l'égouttoir, lavez-le à l'eau savonneuse chaude, puis rincez-le.

Thermomètre - Essuyez-le avec de l'eau savonneuse chaude ; nettoyez-le avec une balle de plastique à récurer.

Boîtier de cuisson - Retirez tout débris en le brossant vers l'extérieur des tubes du brûleur. **N'ELARGISSEZ PAS LES PORTS (OUVERTURES)**. Lavez l'intérieur du boîtier de cuisson à l'eau savonneuse chaude puis rincez à l'eau.

Intérieur du couvercle - Lorsque le couvercle est encore chaud, essuyez l'intérieur avec une serviette en papier pour empêcher toute accumulation de graisse. Les éclats de graisse accumulés ressemblent à des éclats de peinture.

Surfaces en acier inoxydable - Lavez les surfaces avec un chiffon doux et une solution d'eau savonneuse. Veillez à frotter dans le sens du grain de l'acier inoxydable.

N'utilisez pas de produits de nettoyage contenant de l'acide, des alcools minéraux ou du xylène. Rincez bien une fois le nettoyage terminé.

Préservez votre acier inoxydable - Votre grill ou son placard, son couvercle, son panneau de commande ainsi que ses étagères peuvent être en acier inoxydable. Préserver l'aspect optimal de l'acier inoxydable n'est pas compliqué. Nettoyez à l'eau savonneuse, rincez à l'eau claire et essuyez pour sécher. Pour les particules tenaces, vous pouvez utiliser une brosse non métallique.

- ⚠ **IMPORTANT : N'utilisez pas de brosse métallique ni de détergents abrasifs sur les surfaces en acier inoxydable de votre grill car ceci le rayerait.**
- ⚠ **IMPORTANT : Lorsque vous nettoyez les surfaces assurez-vous de frotter/essuyer dans le sens du grain pour préserver l'aspect de votre acier inoxydable. ♦**

GRILLES ANTI-ARAIGNEES/INSECTES WEBER®

Votre barbecue à gaz Weber®, comme tout appareil à gaz d'extérieur, constitue une cible pour les araignées et les autres insectes. Ceux-ci peuvent faire leur nid dans la section des venturi (1) des tubes du brûleur. Ceci bloque le débit normal du gaz, et risque de provoquer le retour du gaz à l'extérieur de l'ouverture destinée à l'air nécessaire à la combustion. Ceci pourrait entraîner un incendie à l'intérieur et autour des ouvertures destinées à recevoir l'air nécessaire à la combustion, au-dessous du panneau de commande, provoquant une détérioration grave de votre barbecue.

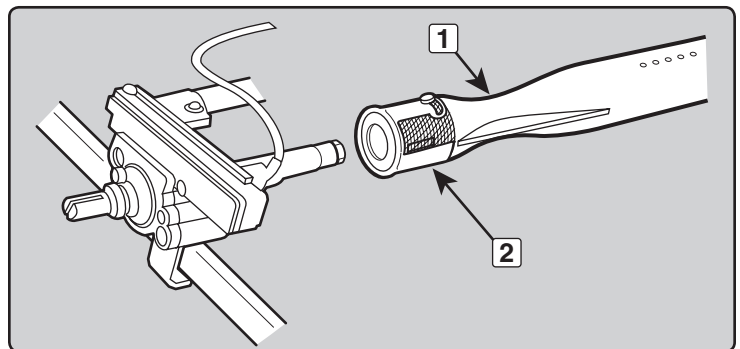
L'ouverture destinée à recevoir l'air nécessaire à la combustion est protégée par une grille en acier inoxydable (2) afin d'empêcher les araignées et les autres insectes d'accéder aux tubes du brûleur à travers les ouvertures de circulation de l'air nécessaire à la combustion.

Moins vous recommandons d'inspecter les Grilles anti-araignées/insectes au moins une fois par an. (Voir la Section "MAINTENANCE ANNUELLE") Veuillez également inspecter et nettoyer les Grilles anti-araignées/insectes si l'un des symptômes suivant se produisait :

- A) Une odeur de gaz associée à l'aspect jaune et faible des flammes du brûleur.
- B) Le barbecue n'atteint pas la température.
- C) Le barbecue ne chauffe pas de façon homogène.
- D) Un ou plusieurs brûleurs ne s'allument pas.

⚠ DANGER

Le fait de ne pas corriger les symptômes mentionnés ci-dessus pourrait entraîner un incendie, susceptible de provoquer une blessure grave ou la mort et des dommages à la propriété. ♦



NETTOYAGE DE TUBE DE BRÛLEUR

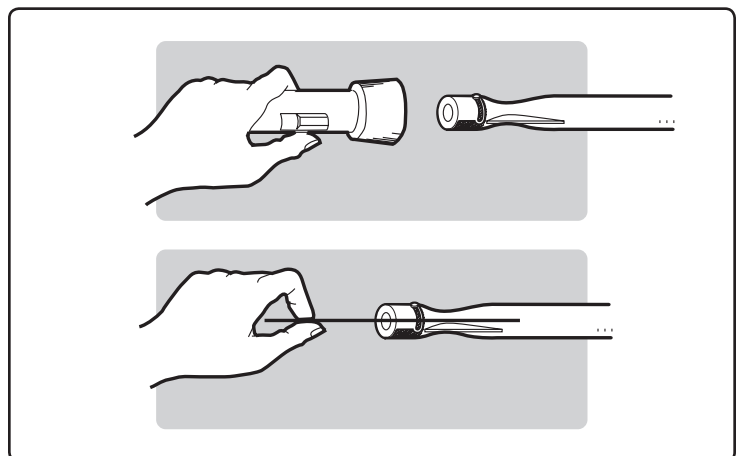
Fermez l'arrivée de gaz.

Retirez le collecteur (Voir "REPLACEZ LES BRÛLEURS PRINCIPAUX").

Regardez à l'intérieur de chaque brûleur avec une lampe torche.

Nettoyez l'intérieur des brûleurs à l'aide d'un fil de fer (un cintre déplié fera l'affaire). Vérifiez et nettoyez les orifices des clapets d'arrivée d'air aux extrémités des brûleurs. Vérifiez et nettoyez les orifices à la base des valves. Utilisez une brosse en fils d'acier pour nettoyer l'extérieur des brûleurs. Cela permet de s'assurer que tous les ports des brûleurs sont entièrement ouverts.

- ⚠ **ATTENTION : N'élargissez pas les ports des brûleurs pendant le nettoyage. ♦**

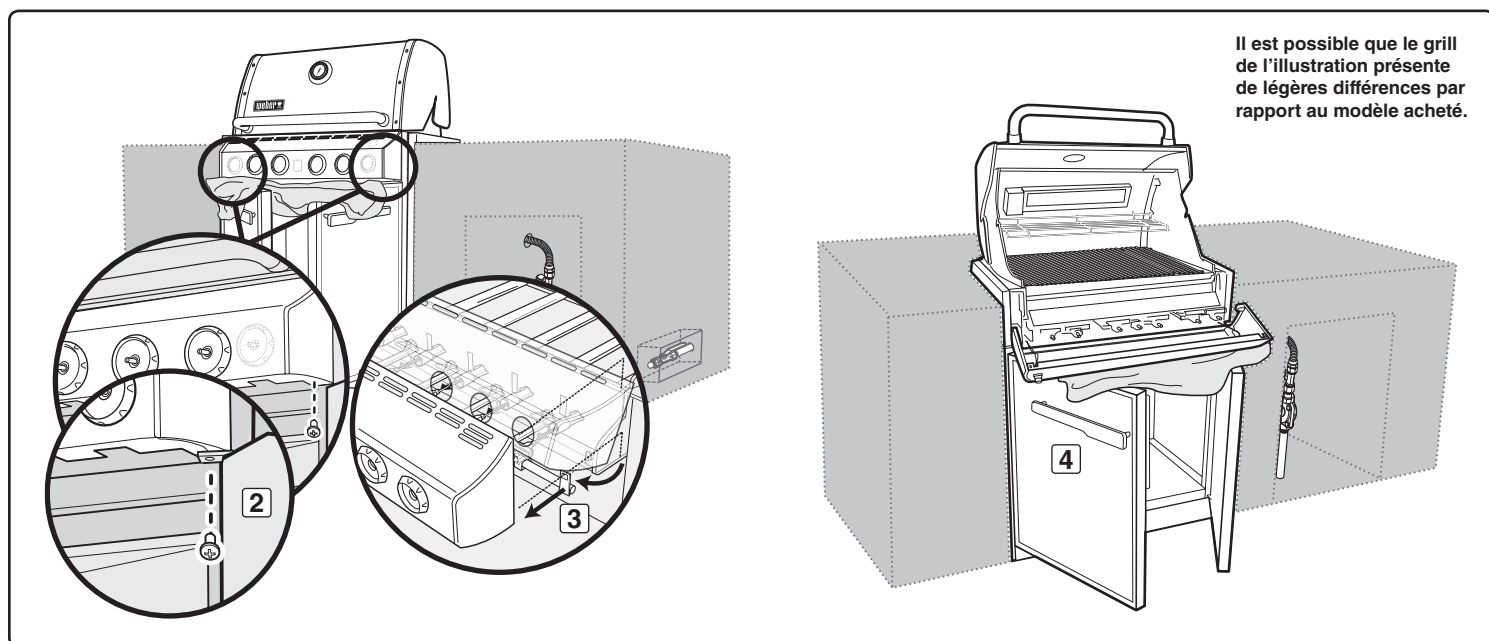
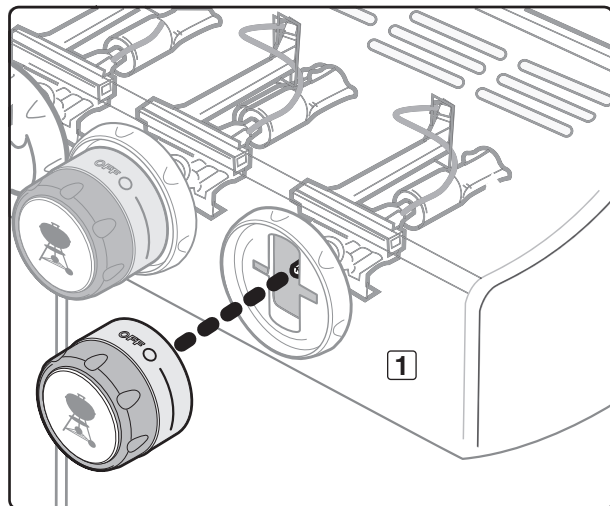


REPLACEMENT DES BRULEURS PRINCIPAUX

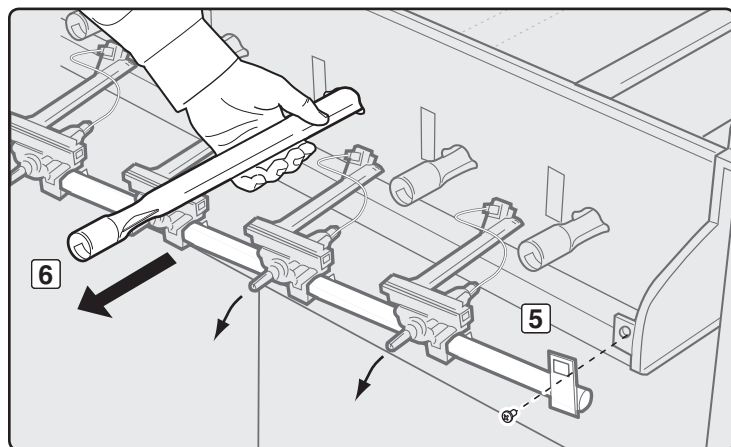
- A) Votre grill à gaz Summit® doit être éteint et avoir refroidi.
- B) Fermez le gaz à la source.
- C) Déconnectez l'arrivée de gaz.
- D) Retirez les grilles de cuisson.
- E) Retirez les barres Flavorizer®.
- F) Retirez le boîtier du fumoir (si inclus dans votre modèle).

Retirer le panneau de commandes

- A) Pièces nécessaires : un tournevis cruciforme et une serviette.
 - a) Retirez les boutons de commande du brûleur (1).
 - b) Ouvrez les deux portes et placez une serviette au-dessus des portes. **Ceci protégera le panneau de commandes ainsi que les dessus des portes contre les rayures lors de l'étape suivante.**
 - c) Retirez les vis du dessous du panneau de commandes à l'aide d'un tournevis cruciforme (2).
 - d) Inclinez le panneau de commandes vers l'avant et soulevez-le pour l'éloigner du grill (3) (Pour les modèles Summit® avec fonctionnalités LED : Faites attention à ne pas briser ou déconnecter les câbles des LED du panneau de commandes).
 - e) Placez le panneau de commandes sur la serviette qui couvre l'ensemble des portes (4).



- B) Retirez les deux vis qui maintiennent le collecteur contre le boîtier de cuisson. Retirez l'ensemble du collecteur du cadre du collecteur (5).
- C) Retirez le(s) tube(s) du/des brûleur(s) sélectionné(s) du cadre du collecteur et remplacez-le(s) par un/des tube(s) de brûleur(s) neuf(s) (6).



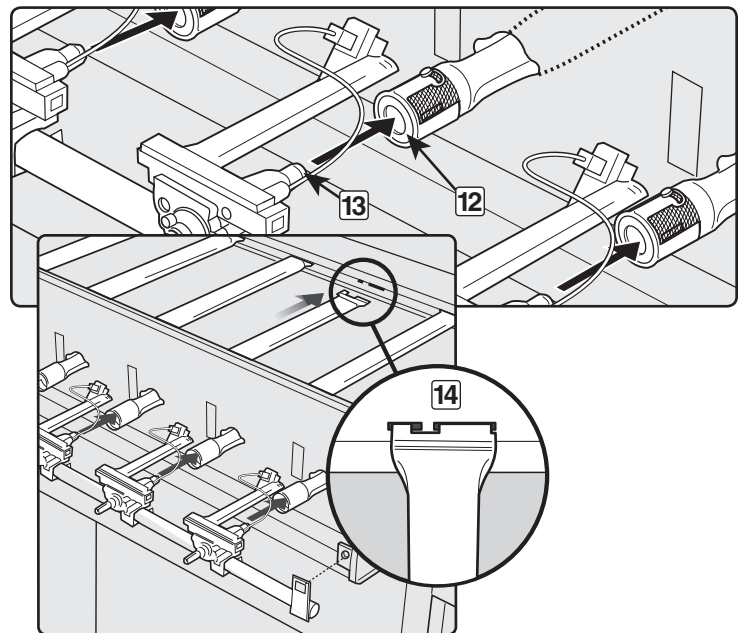
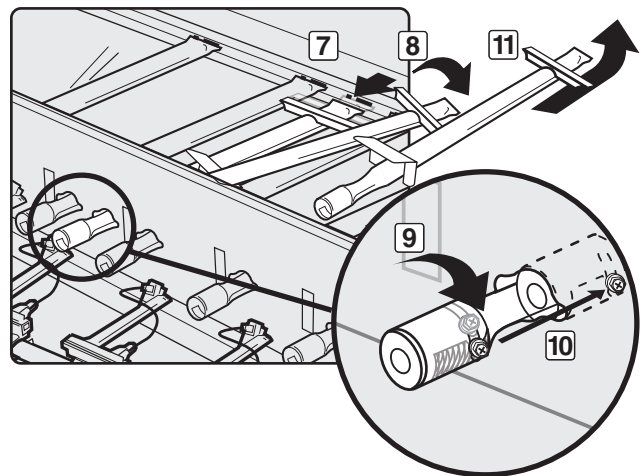
Retrait du brûleur Sear Station®

Pour retirer le brûleur Sear Station®, tirez le tube du brûleur vers vous. Ceci le retire de l'encoche du tube du brûleur (7). Ensuite, faites pivoter le tube dans le sens des aiguilles d'une montre (8), en veillant à faire pivoter le tube de sorte que la vis à l'extrémité du tube (9) s'encastre dans l'encoche de l'ouverture de la protection contre la chaleur (10). Lorsque le tube du brûleur est dégagé, retirez-le du boîtier de cuisson (11).

D) Pour remettre en place l'ensemble du collecteur, inversez les étapes G à I.

⚠ **ATTENTION** : Les orifices du brûleur (12) doivent être positionnés correctement au-dessus des orifices des valves (13). Assurez-vous que l'extrémité opposée des tubes du brûleur (14) est correctement alignée avec les fentes à l'arrière du boîtier de cuisson. Vérifiez que le montage est correct avant de fixer le collecteur en place.

⚠ **MISE EN GARDE** : Une fois que vous aurez remis en place les conduites de gaz, celles-ci devraient faire l'objet d'un contrôle de détection des fuites au moyen d'une solution d'eau savonneuse avant toute utilisation du grill. (Voir, "Détection des fuites de gaz.") ♦



MAINTENANCE ANNUELLE

Inspection et nettoyage de la grille anti-araignées/insectes

Pour inspecter les Grilles anti-araignées/insectes, retirez le panneau de commande. En cas de présence de poussière ou d'impuretés sur les grilles, retirez les brûleurs pour nettoyer les grilles.

Brossez légèrement les Grilles anti-araignées/insectes avec une brosse à poils souples (par exemple, une vieille brosse à dents).

⚠ ATTENTION : Ne nettoyez pas les Grilles anti-araignées/insectes à l'aide d'ustensiles durs ou coupants. Ne délogez pas les Grilles-anti araignées/insectes de leurs emplacements et n'élargissez pas les ouvertures des grilles.

Tapotez légèrement le brûleur pour faire sortir les débris et les impuretés du tube du brûleur. Une fois que les Grilles anti-araignées/insectes sont propres, remettez les brûleurs en place.

Si la Grille anti-araignées/insectes se détériore ou ne peut pas être nettoyée, veuillez entrer en contact avec le Représentant du service clientèle le plus proche à l'aide des coordonnées à votre disposition sur notre site Internet.

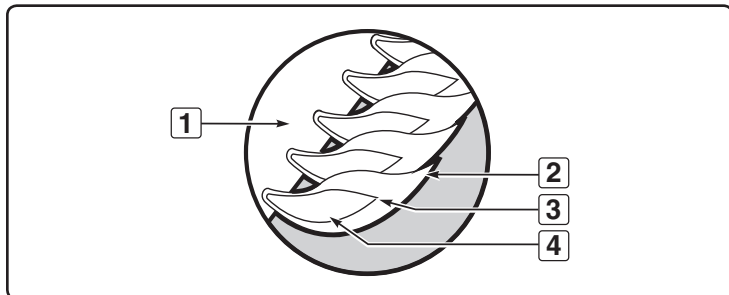
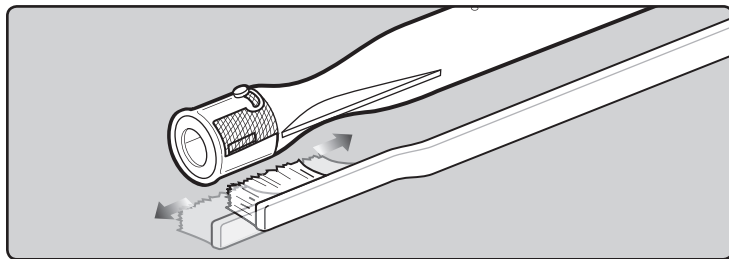
Connectez-vous sur www.weber.com®.

Aspect des flammes du brûleur

Les brûleurs du barbecue à gaz Weber® ont été paramétrés en usine pour recevoir le mélange d'air et de gaz correct. L'illustration montre l'aspect correct de la flamme.

- A) Tube du brûleur (1)
- B) Les extrémités flamboient de temps en temps en jaune (2)
- C) Bleu clair (3)
- D) Bleu foncé (4)

Si les flammes ne semblent pas uniformes tout au long du tube du brûleur, suivez les procédures de nettoyage du brûleur. ♦



⚠ ATTENTION: This product has been safety tested and is only certified for use in a specific country. Refer to country designation located on outer carton.

These parts may be gas carrying or gas burning components. Please contact Weber-Stephen Products Co., Customer Service Department for genuine Weber-Stephen Products Co. replacement part(s) information.

⚠ WARNING: Do not attempt to make any repair to gas carrying, gas burning, igniter components or structural components without contacting Weber-Stephen Products Co., Customer Service Department. Your actions, if you fail to follow this Product Warning, may cause a fire, an explosion, or structural failure resulting in serious personal injury or death as well as damage to property.

⚠ ATENCIÓN: A este producto se le han realizado pruebas de seguridad y ha sido certificado para usarse en un país específico. Refiérase al país indicado en la parte externa del cartón de empaque.

Estas partes pueden ser componentes que transporten gas o lo quemen. Por favor póngase en contacto con el Departamento de Atención al Cliente de Weber-Stephen Products Co. para obtener información sobre las partes de repuesto Weber-Stephen Products Co. genuinas.

⚠ ADVERTENCIA: No trate de realizar reparación alguna a los componentes que transporten o quemen gas sin antes ponerse en contacto con el Departamento de Atención al Cliente de Weber-Stephen Products Co. Si no llegase a acatar esta advertencia, sus acciones podrían causar un fuego o una explosión que resulte en lesiones personales serias o la muerte o daños a la propiedad.

⚠ ATTENTION : Ce produit a fait l'objet de tests de sécurité et est certifié pour une utilisation dans un pays particulier uniquement. Vérifiez la désignation de pays située sur le carton d'emballage.

Ces pièces peuvent contenir du gaz ou être des éléments dont la combustion produit du gaz. Veuillez consulter le Service clientèle de Weber-Stephen Products Co. pour des renseignements sur les pièces de rechange originales de Weber-Stephen Products Co.

⚠ MISE EN GARDE : Ne tentez pas d'effectuer des réparations sur des éléments contenant du gaz ou sur des éléments dont la combustion produit du gaz sans contacter le service clientèle de Weber-Stephen Products Co. Si vous ne suivez pas la présente Mise en garde relative au produit, vos actions risquent de provoquer un incendie ou une explosion entraînant des blessures physiques graves voire un décès ainsi que des dégâts matériels.



WEBER-STEPHEN PRODUCTS CO.

www.weber.com[®]

©2011 Designed and engineered by Weber-Stephen Products Co.,
an Illinois corporation, located at 200 East Daniels Road, Palatine, Illinois 60067 U.S.A.
Printed in U.S.A.

©2011 Diseñado por Weber-Stephen Products Co.,
una corporación registrada en Illinois, ubicada en 200 East Daniels Road, Palatine, Illinois 60067 U.S.A.
Impreso en los EE.UU.

©2011 Conçu et élaboré par Weber-Stephen Products Co.,
société de l'Illinois, implantée au 200 East Daniels Road, Palatine, Illinois 60067 U.S.A.
Imprimé aux U.S.A.

SUMMIT®



GAS GRILL

Built-In NG Gas Grill Installation Guide

Assembly - Pg. 7

ESNA Guía de instalación de las barbacoas de gas natural empotradas - Pg. 27

FC Guide pour l'installation du grill à gaz naturel intégré - Pg. 37

460 - NG

660 - NG

#56584



YOU MUST READ THIS OWNER'S GUIDE BEFORE OPERATING YOUR GAS GRILL.

⚠ DANGER

If you smell gas:

1. Shut off gas to the appliance.
2. Extinguish any open flames.
3. Open lid.
4. If odor continues, keep away from the appliance and immediately call your gas supplier or your fire department.

Leaking gas may cause a fire or explosion which can cause serious bodily injury, death, or damage to property.

⚠ WARNING:

1. Do not store or use gasoline or other flammable liquids or vapors in the vicinity of this or any other appliance.
2. An LP cylinder not connected for use shall not be stored in the vicinity of this or any other appliance.

⚠ WARNING: Follow all leak-check procedures carefully in this manual prior to barbecue operation. Do this even if the barbecue was dealer-assembled.

NOTICE TO INSTALLER: These instructions must be left with the owner and the owner should keep them for future use.

THIS GAS APPLIANCE IS DESIGNED FOR OUTDOOR USE ONLY.

⚠ WARNING: Do not ignite this appliance without first reading the **BURNER IGNITION** sections of this manual.



56584 02/28/11 NG
US - ENGLISH

WARNINGS

⚠ DANGER

Failure to follow the Dangers, Warnings and Cautions contained in this Owner's Manual may result in serious bodily injury or death, or in a fire or an explosion causing damage to property.

⚠ WARNINGS

- ⚠ Do not store a spare or disconnected liquid propane cylinder under or near this barbecue.
- ⚠ Improper assembly may be dangerous. Please follow the assembly instructions carefully.
- ⚠ After a period of storage, and/or nonuse, the Weber® gas barbecue should be checked for gas leaks and burner obstructions before use. See instructions in this manual for correct procedures.
- ⚠ Do not operate the Weber® gas barbecue if there is a gas leak present.
- ⚠ Do not use a flame to check for gas leaks.
- ⚠ Combustible materials should never be within 24 inches (61 cm) of the back or sides of your Weber® gas barbecue.
- ⚠ Do not put a barbecue cover or anything flammable on, or in the storage area under the barbecue.
- ⚠ Your Weber® gas barbecue should never be used by children. Accessible parts of the barbecue may be very hot. Keep young children away while it is in use.
- ⚠ You should exercise reasonable care when operating your Weber® gas barbecue. It will be hot during cooking or cleaning and should never be left unattended, or moved while in operation.
- ⚠ Should the burners go out while in operation, turn all gas valves off. Open the lid and wait five minutes before attempting to relight, using the igniting instructions.
- ⚠ Do not use charcoal or lava rock in your Weber® gas barbecue.
- ⚠ Never lean over open grill or place hands or fingers on the front edge of the cookbox.
- ⚠ Should a grease fire occur, turn off all burners and leave lid closed until fire is out.
- ⚠ Do not enlarge valve orifices or burner ports when cleaning the valves or burners.
- ⚠ The Weber® gas barbecue should be thoroughly cleaned on a regular basis.
- ⚠ Liquid propane gas is not natural gas. The conversion or attempted use of natural gas in a liquid propane unit or liquid propane gas in a natural gas unit is dangerous and will void your warranty.

- ⚠ Do not attempt to disconnect any gas fitting while your barbecue is in operation.
- ⚠ Use heat-resistant barbecue mitts or gloves when operating barbecue.
- ⚠ Keep any electrical supply cord and the fuel supply hose away from any heated surfaces.
- ⚠ Combustion byproducts produced when using this product contain chemicals known to the state of California to cause cancer, birth defects, or other reproductive harm.
- ⚠ Do not use this barbecue unless all parts are in place. The unit must be properly assembled according to the assembly instructions.
- ⚠ Proposition 65 Warning: Handling the brass material on this product exposes you to lead, a chemical known to the state of California to cause cancer, birth defects or other reproductive harm.
(Wash hands after handling this product.) ♦

LIQUID PROPANE GAS UNITS ONLY

- ⚠ Use the pressure regulator and hose assembly that is supplied with your Weber® gas barbecue.
- ⚠ Do not attempt to disconnect the gas regulator and hose assembly or any gas fitting while your barbecue is in operation.
- ⚠ A dented or rusty liquid propane cylinder may be hazardous and should be checked by your liquid propane supplier. Do not use a liquid propane cylinder with a damaged valve.
- ⚠ Although your liquid propane cylinder may appear to be empty, gas may still be present, and the cylinder should be transported and stored accordingly.
- ⚠ If you see, smell or hear the hiss of escaping gas from the liquid propane cylinder
 1. Move away from liquid propane cylinder.
 2. Do not attempt to correct the problem yourself.
 3. Call your fire department. ♦

BUILT-IN CUTOUT DIMENSIONS

“ISLAND” STRUCTURE CONFIGURATION OPTIONS

There are many available options for locating the major components of your Island structure. Your major components are:

- A) The Built in Grill
- B) Gas supply enclosure
- C) Optional Side burner accessory

The 3 common options (A, B, C) are illustrated in the “Island’ Structure Configuration Options” table.

Note: Gas Line Limitation

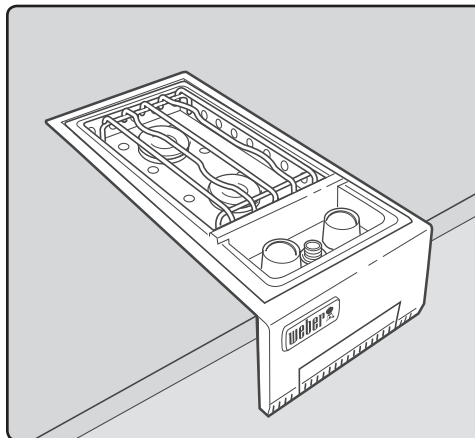
The gas supply hose from grill manifold to gas supply bulkhead must not exceed 58" (147 cm). The 3/8" (9.52 mm) Side Burner accessory hose (not included) must not exceed 58" (147 cm). ♦

“ISLAND” STRUCTURE CONFIGURATION OPTIONS

1	Summit® 4-burner/6-burner grill
2	Gas supply
3	Optional sideburner accessory

NOTE: IF YOU HAVE PURCHASED A SIDEBURNER

If you have purchased a Side Burner accessory with your Summit® gas grill, Weber® recommends that you read the SUMMIT® BUILT-IN SIDEBURNER INSTALLATION/OWNER'S GUIDE before designing your “island” structure. ♦



BUILT-IN CUTOUT DIMENSIONS

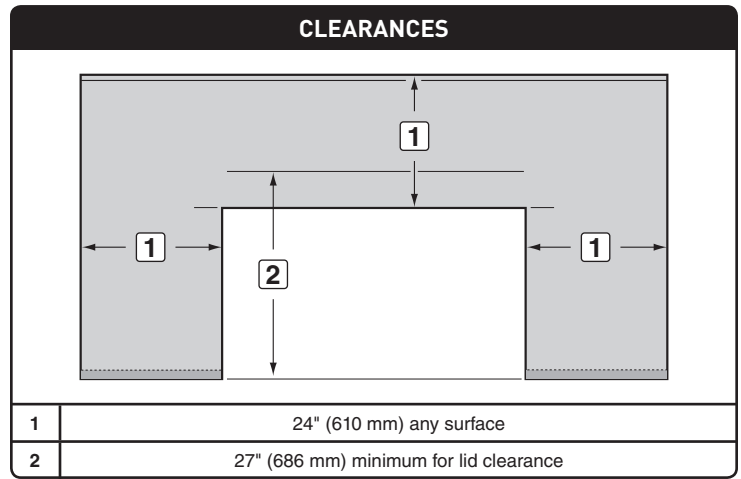
LOCATING YOUR GRILL

When determining a suitable location for your Summit® gas grill installation, give attention to concerns such as exposure to wind, proximity to traffic paths, and keeping any gas supply lines as short as possible. Never locate the Summit® gas grill in a garage, breezeway, shed, under an unprotected overhang, or other enclosed area. Locate the grill and structure so there is enough room to safely evacuate the area in case of a fire.

CLEARANCE FROM SURFACES OR STRUCTURES

- ⚠ **WARNING:** Clearance from any surface or structure is 24" (610 mm) from the back and sides of the grill. Refer to "Typical Gas Supply Installation" before starting installation.
- ⚠ **WARNING:** The structure, "island", countertops, and adjacent work areas for the built-in grill installation must be built from noncombustible materials only.

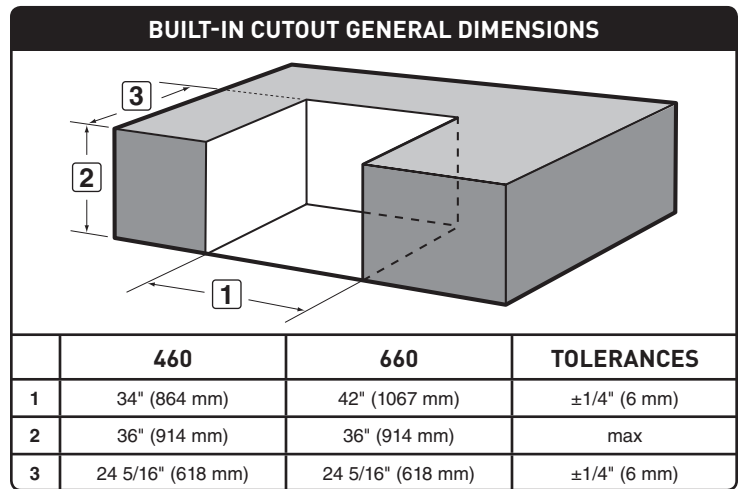
NOTE: If you have questions on what materials are considered noncombustible, contact your local building materials supplier or fire department. ♦



BUILT-IN STRUCTURE CUTOUT DIMENSIONS

All dimensions are to finished surfaces.

- ⚠ **WARNING:** All countertop finished surfaces must be constructed of a noncombustible material. ♦



BUILT-IN CUTOUT DIMENSIONS

GENERAL CONSTRUCTION DETAILS

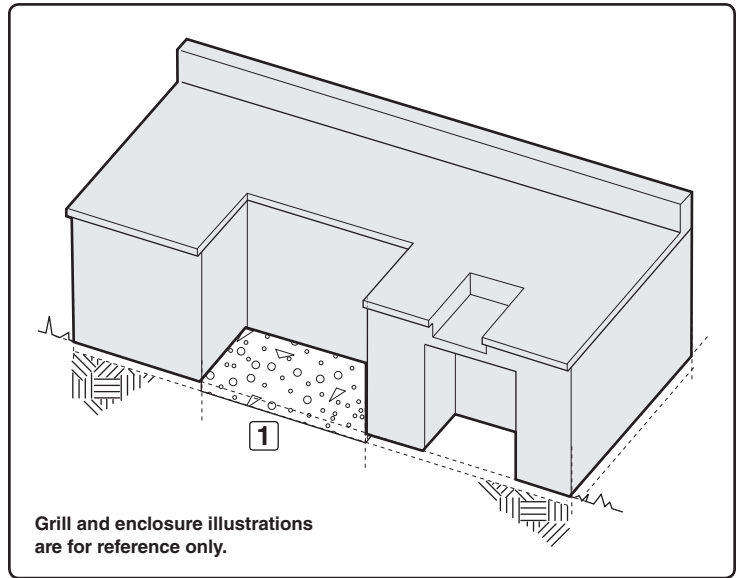
Summit® Built-In unit and all other accessory units should be on site before construction begins.

For ease of installation, the grill will be pushed on its casters into the built-in structure.

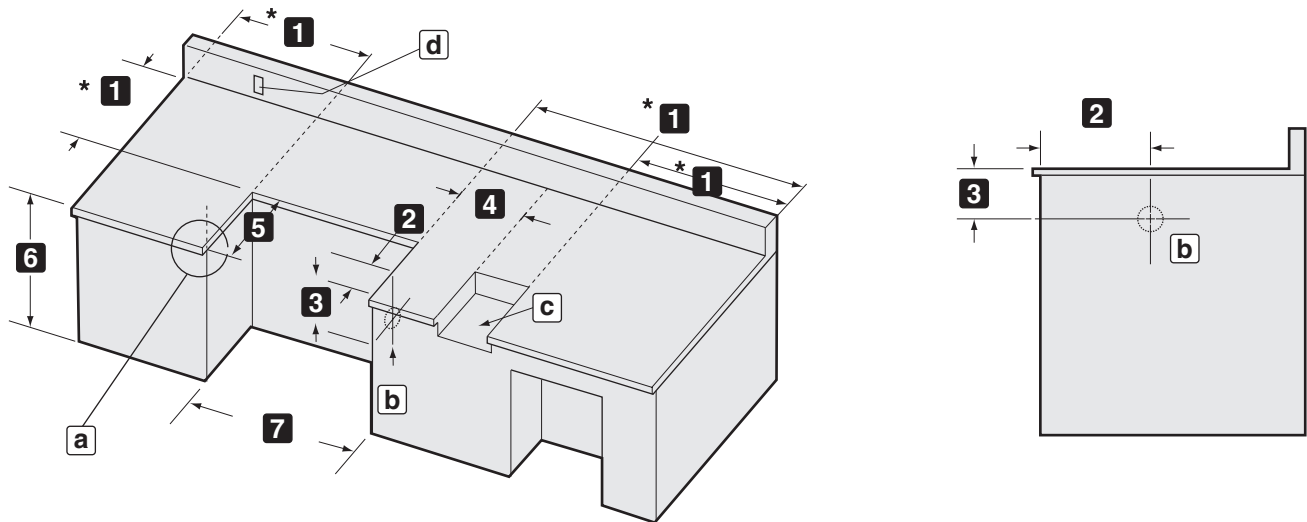
The installation of this grill requires a level floor pad surface (1) and countertop surface. The floor pad surface must be constructed from solid materials and must be level and smooth. Proper subgrade materials must be used under the floor pad to prevent materials from settling and heaving.

Rotisserie Outlet

If the supporting structure is going to have an electrical outlet for a rotisserie, it should be on the left side of the structure. ♦

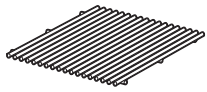


BUILT-IN CUTOUT DETAILED DIMENSIONS

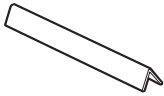


		460	660
DIMENSIONS	1	24" minimum* (610 mm)	24" minimum* (610 mm)
	2	16 1/2" (419 mm)	16 1/2" (419 mm)
	3	11 1/8" (283 mm)	11 1/8" (283 mm)
	4	10 1/2" (267 mm) minimum	10 1/2" (267 mm) minimum
	5	24 5/16" (618 mm)	24 5/16" (618 mm)
	6	36" (914 mm) maximum	36" (914 mm) maximum
	7	34" (864 mm) Built-In frame	42" (1067 mm) Built-In frame
	a	For a countertop treatment: recommended 3/4" (19 mm) overhang.	
	b	Gas inlet	
	c	Side burner opening	
	d	Access for electric on left hand side	
*Clearance from any surface or structure is at least 24" (610 mm) from the back and sides of the grill or side burner.			

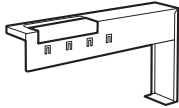
PARTS LIST • LISTA DE PIEZAS • LISTE DES PIÈCES



Stainless Steel Cooking Grates
Parrillas de cocción de acero inoxidable
Grilles de cuisson en acier inoxydable
660 - 2 660 - 3



Flavorizer® Bars
Barras Flavorizer®
Barres Flavorizer®
660 - 8 660 - 12



Catch Pan Holder - 1
Soporte del plato recolector - 1
Support pour égouttoir - 1



Disposable Drip Pan - 1
Bandeja de goteo desechable - 1
Egouttoir jetable - 1



Catch Pan - 1
Plato recolector - 1
Egouttoir - 1



Warming Rack - 1
Rejilla para calentar - 1
Grille de maintien au chaud - 1



Battery Housing - 1
Compartimiento de la batería - 1
Logement des piles - 1



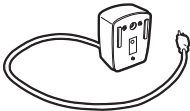
Rotisserie Forks - 4
Horquillas del asador rotativo - 4
Fourches de la rôtissoire - 4



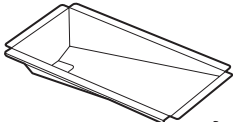
Rotisserie Spit - 1
Asador rotativo - 1
Broche de la rôtissoire - 1



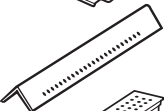
Rotisserie Bracket - 1
Soporte del asador rotativo - 1
Support de la rôtissoire - 1



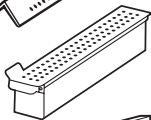
Rotisserie Motor - 1
Motor del asador rotativo - 1
Moteur de la rôtissoire - 1



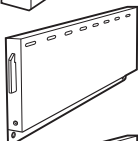
Slide Out Grease Tray - 1
Bandeja deslizante de grasa - 1
Plateau de récupération des graisses amovible - 1



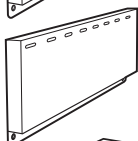
Smoker Bar - 1
Barra del ahumador - 1
Barre du fumoir - 1



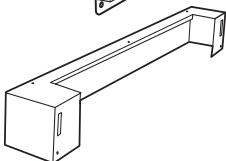
Smoker Box - 1
Caja del ahumador - 1
Boîtier du fumoir - 1



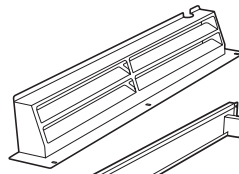
Left Side Vent - 1
Respiradero del lado izquierdo - 1
Aération latérale gauche - 1



Right Side Vent - 1
Respiradero del lado derecho - 1
Aération latérale droite - 1



Rear Vent Bracket - 1
Soporte del respiradero posterior - 1
Support de l'aération arrière - 1



Rear Vent - 1
Respiradero posterior - 1
Aération arrière - 1



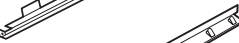
Front Wheel Alignment Panel - 1
Panel de alineación de las ruedas delanteras - 1
Panneau d'alignement de la roue avant - 1



Rear Wheel Alignment Panel - 1
Panel de alineación de las ruedas traseras - 1
Panneau d'alignement de la roue arrière - 1



Left Trim Piece - 1
Pieza de guarnición izquierda - 1
Pièce à rogner de gauche - 1



Right Trim Piece - 1
Pieza de guarnición derecha - 1
Pièce à rogner de droite - 1



Rear Filler Strip - 1
Tira de relleno posterior - 1
Bande de remplissage arrière - 1



Front Filler Strips - 2
Tiras de relleno delanteras - 2
Bandes de remplissage avant - 2



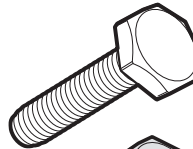
Left Top Filler Strip - 1
Tira de relleno izquierda superior - 1
Bande de remplissage supérieure gauche - 1



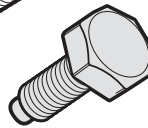
Right Top Filler Strip - 1
Tira de relleno derecha superior - 1
Bande de remplissage supérieure droite - 1



Wrench - 1
Llave - 1
Clé - 1



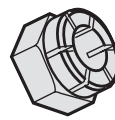
1 Inch Bolts (1/4 - 20 x 1") - 2
Pernos de 1 pulgada (1/4 - 20 x 1") - 2
Boulons de 1 pouce (1/4 - 20 x 1") - 2



Silver Hex Bolts (1/4 - 20 x 5/8") - 4
Pernos hexagonales plateados (1/4 - 20 x 5/8") - 4
Boulons hexagonaux en argent (1/4 - 20 x 5/8") - 4



Screws - 3
Tornillos - 3
Vis - 3



Nut (1/4 - 20) - 2
Tuerca (1/4 - 20) - 2
Ecrou (1/4 - 20) - 2



Plastic Plugs - 3
Tapones de plástico - 3
Bouchons de plastique - 3



Washers - 4
Arandelas - 4
Rondelles - 4



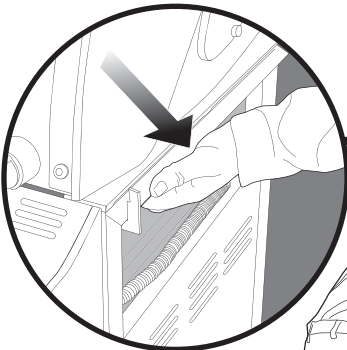
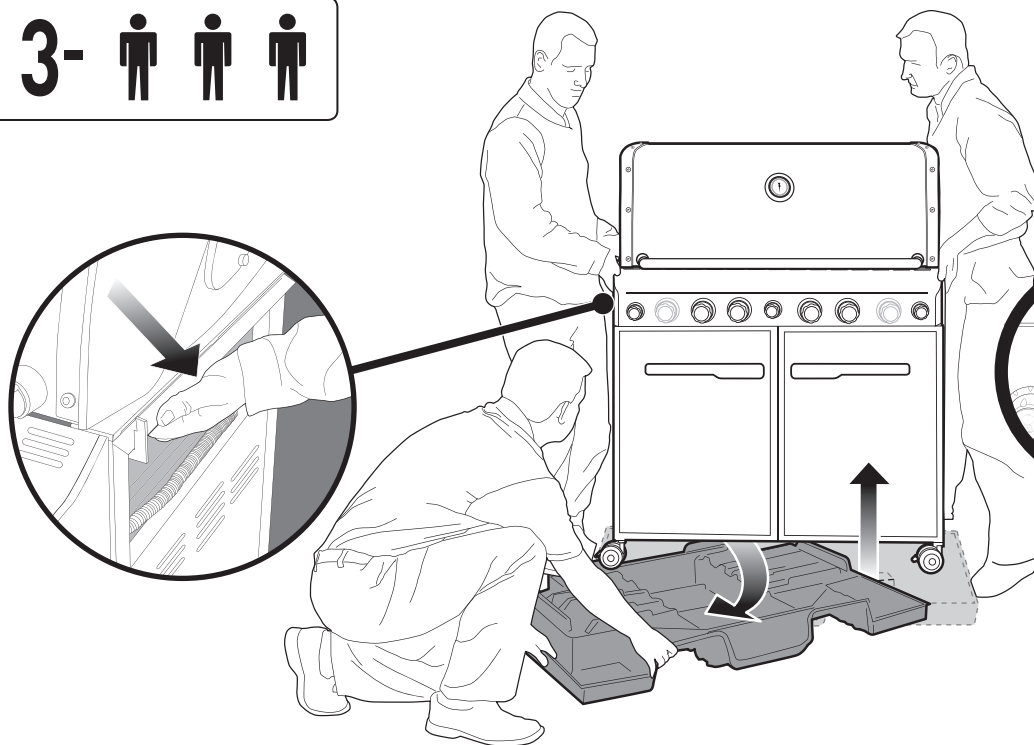
Silver Screws (10 - 32 x 3/8") - 11
Tornillos plateados (10 - 32 x 3/8") - 11
Vis en argent (10 - 32 x 3/8") - 11

ASSEMBLY • ENSAMBLAJE • ASSEMBLAGE

TOOLS NEEDED:
HERRAMIENTAS REQUERIDAS:
OUTILS NECESSAIRES :



3-



The grill illustrated may have slight differences than the model purchased.

La barbacoa ilustrada puede tener ligeras diferencias con respecto al modelo comprado.

Il est possible que le grill de l'illustration présente de légères différences par rapport au modèle acheté.

⚠ **IMPORTANT: TO PROPERLY ALIGN FRAME AND DOORS, ASSEMBLE GRILL ON A FLAT AND LEVEL SURFACE.**

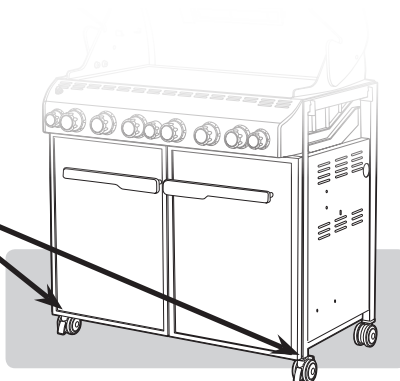
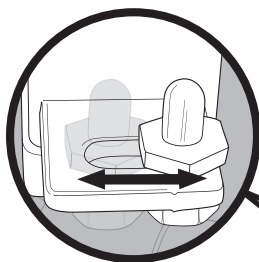
⚠ **IMPORTANTE: PARA ALINEAR CORRECTAMENTE EL BASTIDOR Y LAS PUERTAS, ARME LA BARBACOA SOBRE UNA SUPERFICIE PLANA Y HORIZONTAL.**

⚠ **IMPORTANT : POUR ALIGNER CORRECTEMENT LE CADRE ET LES PORTES, ASSEMBLEZ LE GRILL SUR UNE SURFACE PLANE ET REGULIERE.**

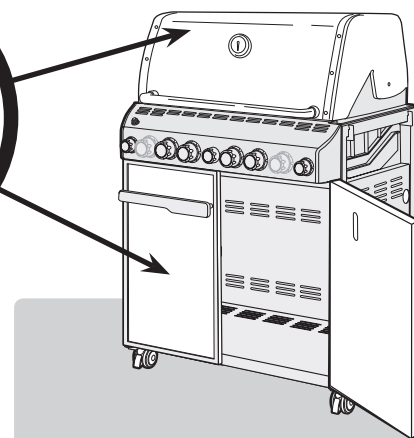
Remove protective film from stainless surface before using grill.

Retire la película protectora de la superficie de acero inoxidable antes de utilizar la barbacoa.

Retirez la pellicule de protection de la surface inoxydable avant d'utiliser le grill.



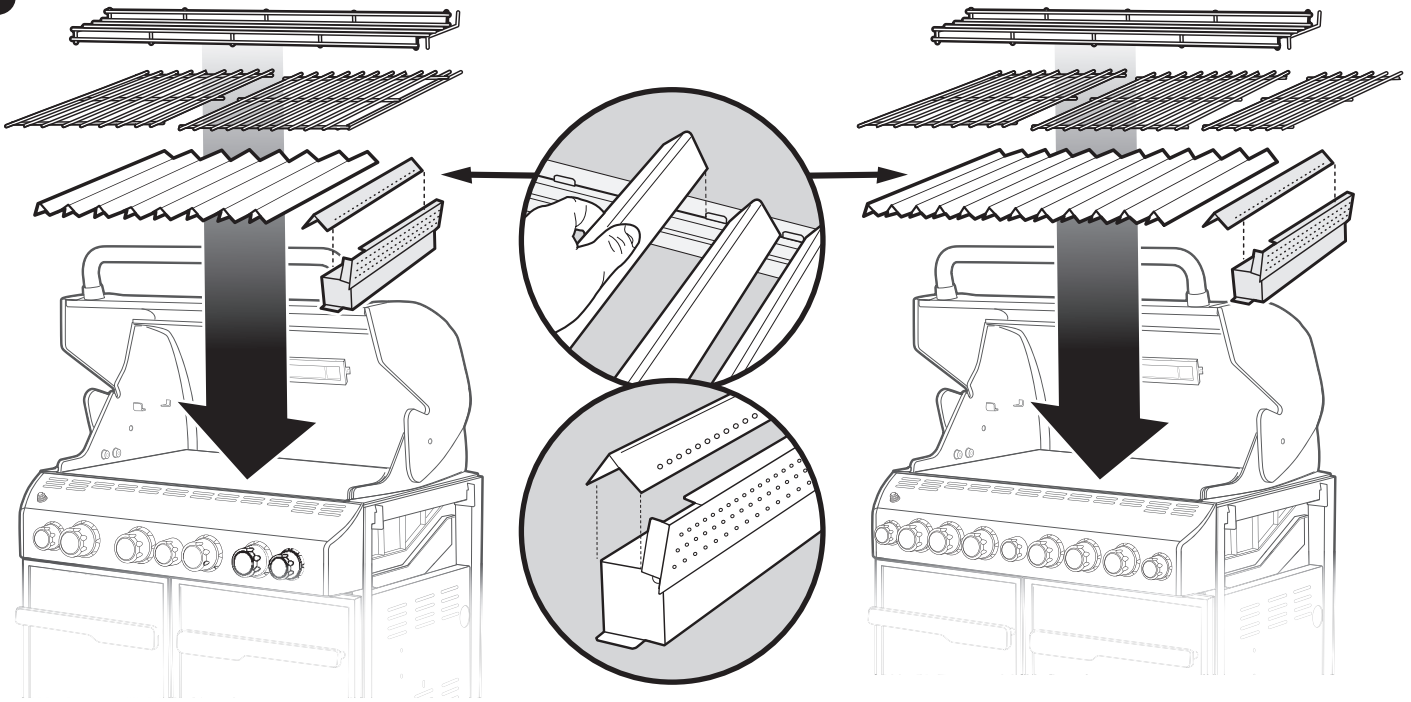
- Adjust doors, if necessary
- Si fuese necesario, ajuste la puerta
- Ajustez les portes, si nécessaire.



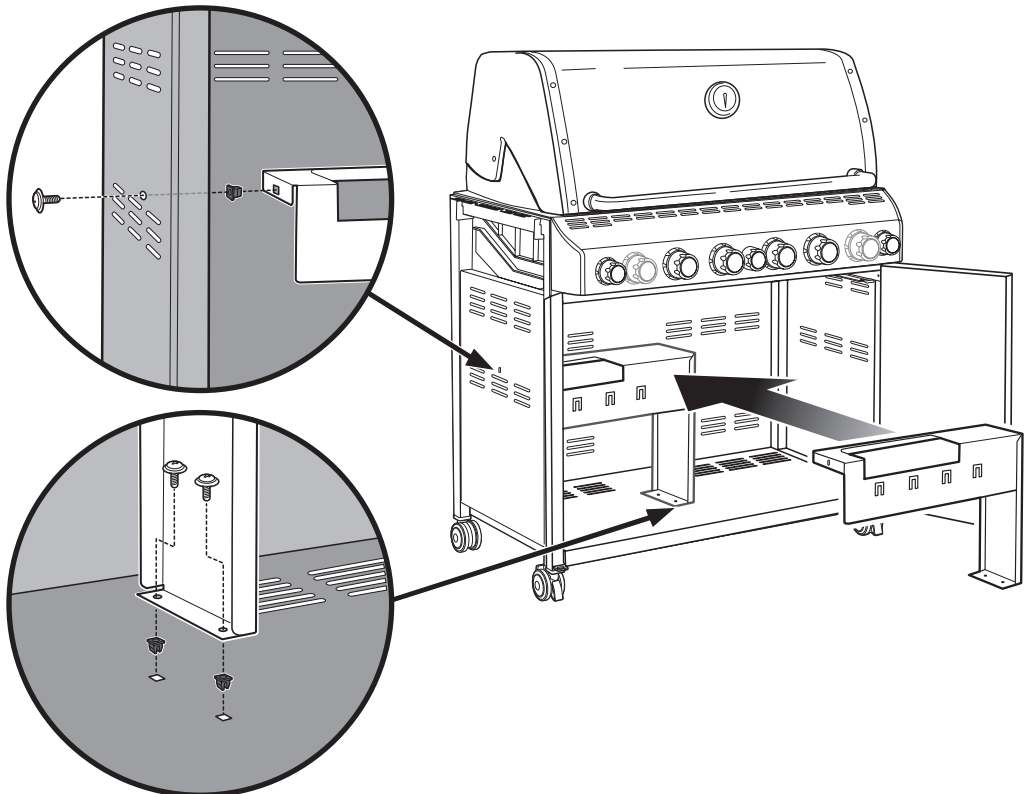
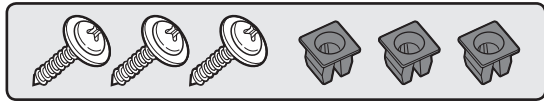
1

460

660



2

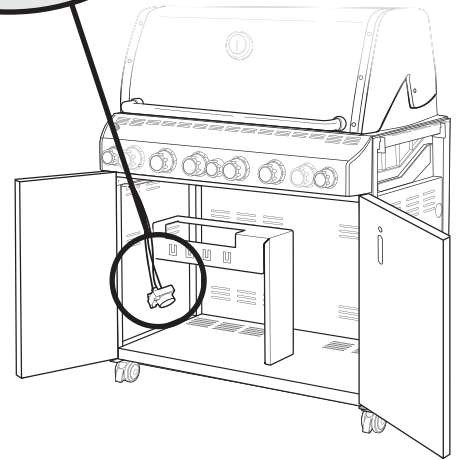
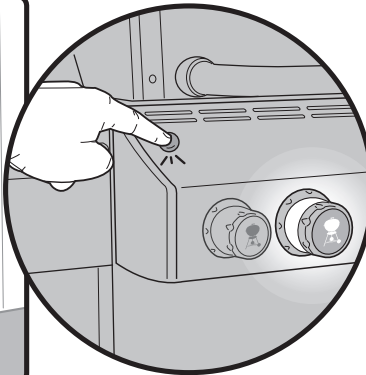
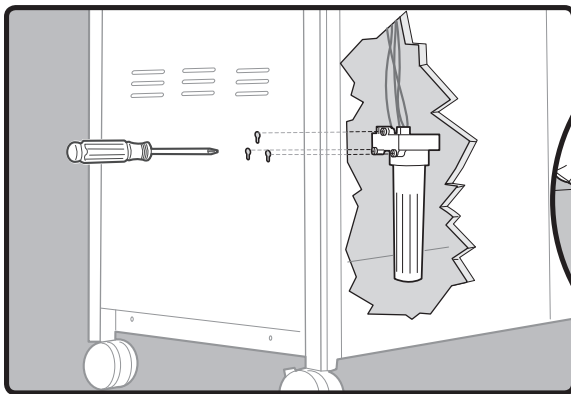
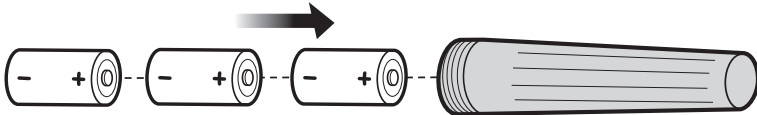
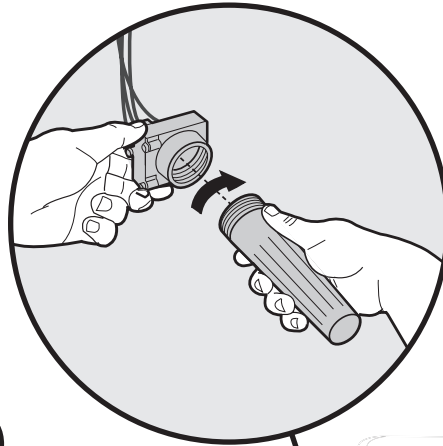


3

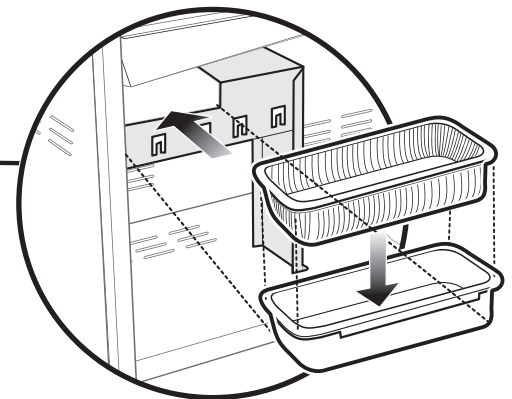
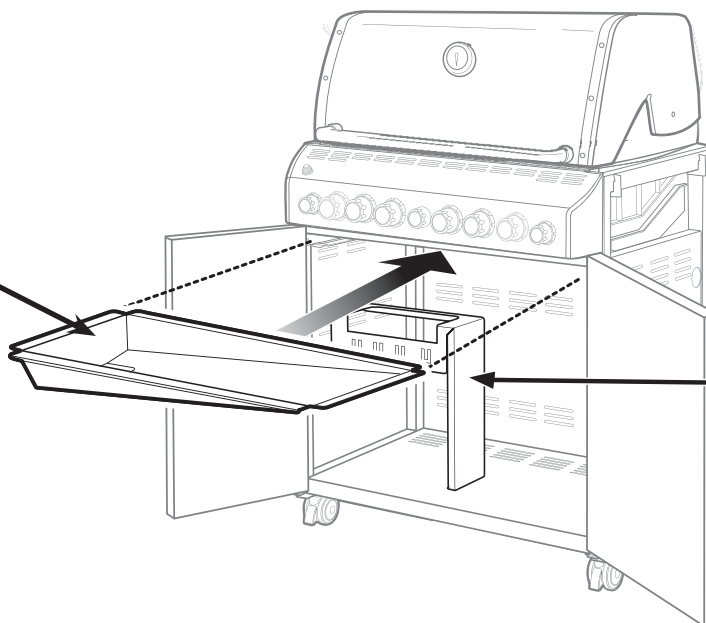
Requires 3 "D" alkaline batteries (included). Use alkaline batteries only. Do not mix old and new batteries or different types of batteries (standard, alkaline or rechargeable).

Requiere 3 baterías alcalinas "D" (incluidas). Use solamente baterías alcalinas. No mezcle baterías nuevas con viejas o diferentes tipos de baterías entre sí (normales, alcalinas o recargables).

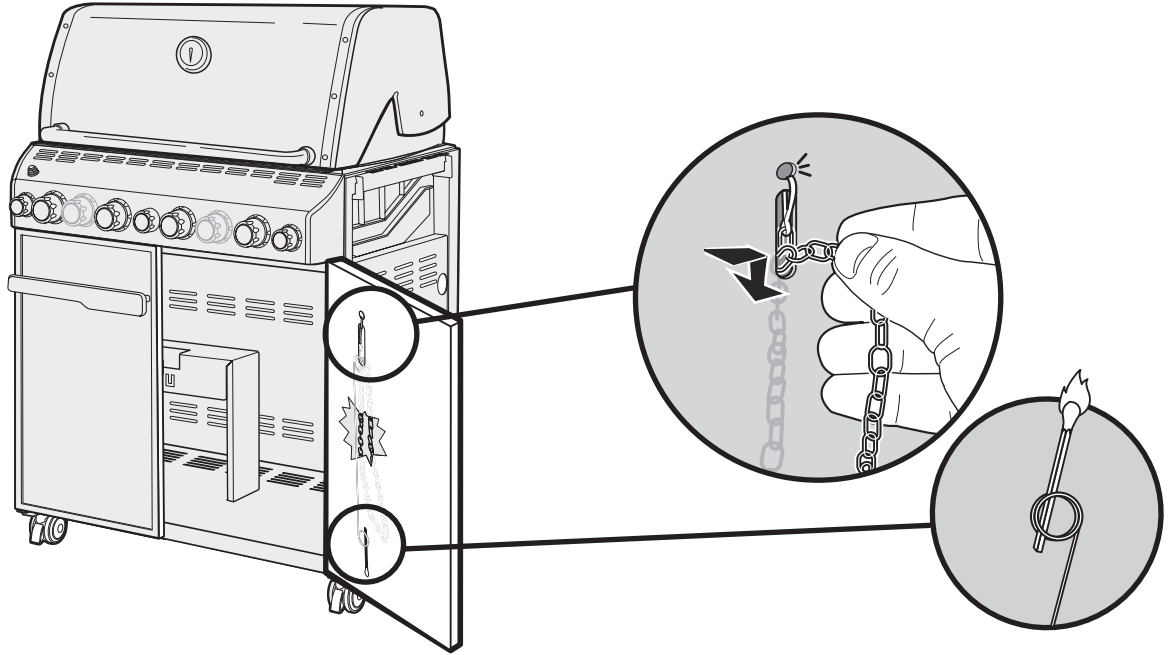
Nécessite 3 piles alcalines "D" (fournies). Utilisez des piles alcalines uniquement. Ne mélangez pas des piles usagées avec des piles neuves ou différents types de piles (standard, alcalines ou rechargeables).



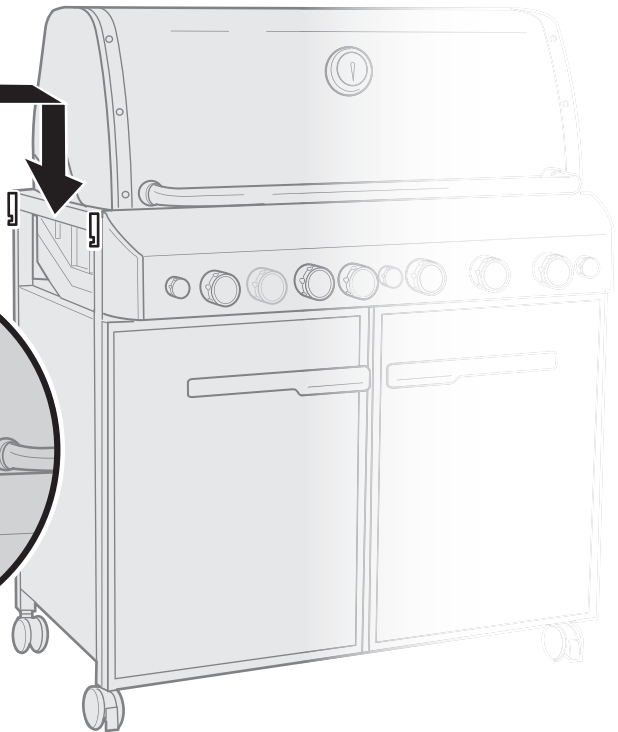
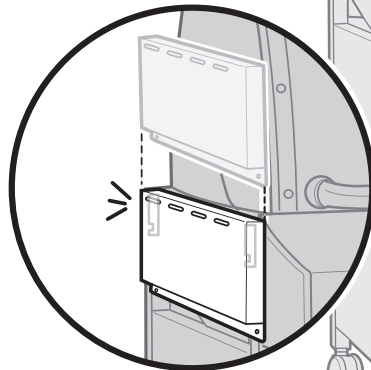
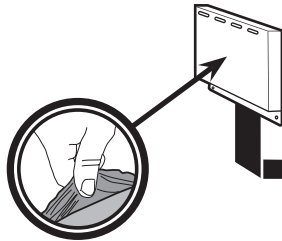
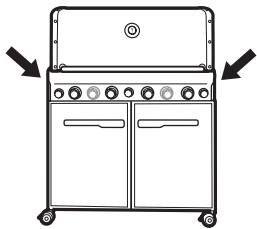
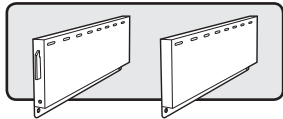
4



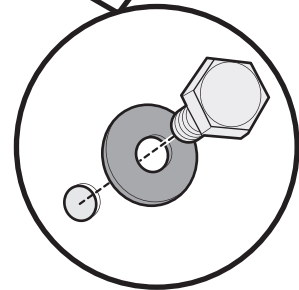
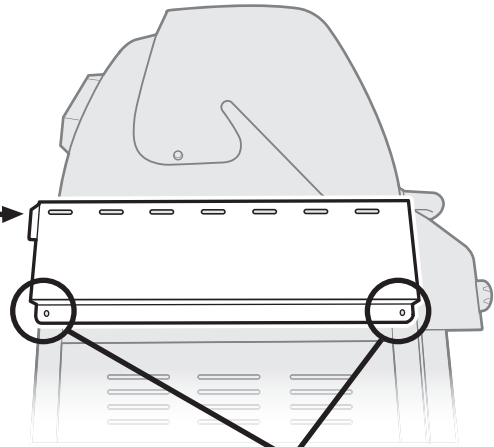
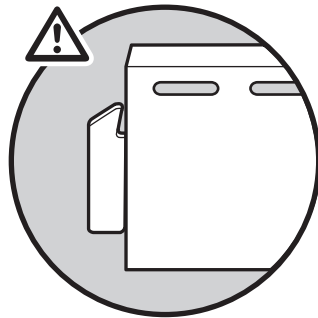
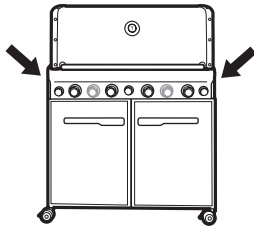
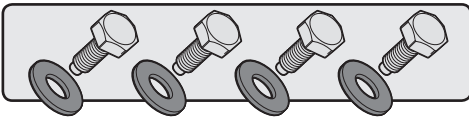
5



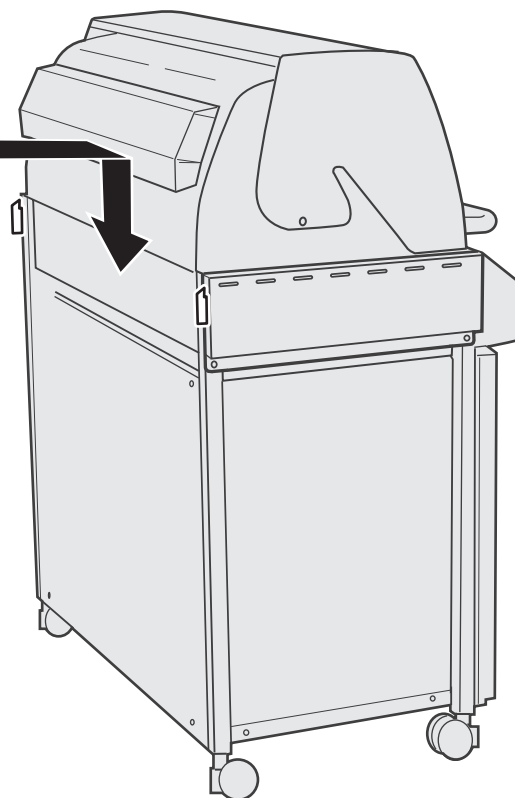
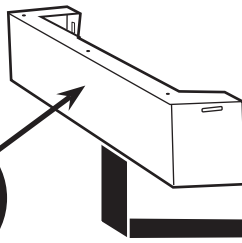
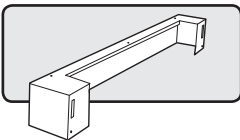
6



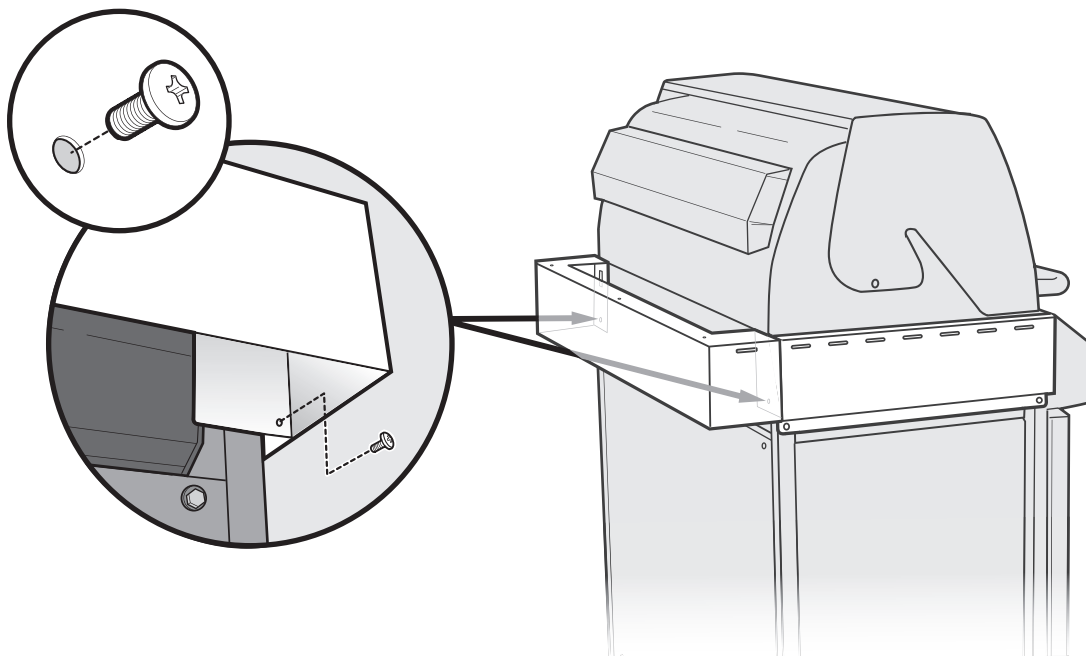
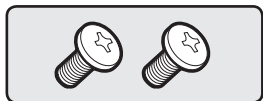
7



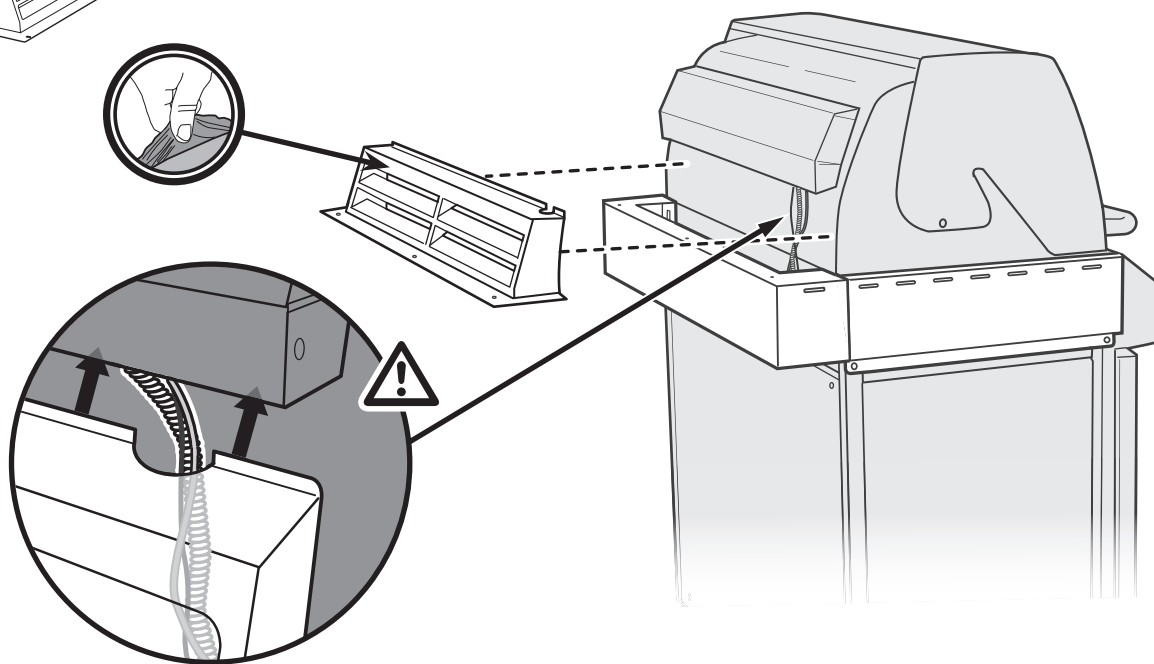
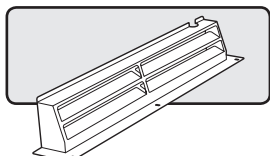
8



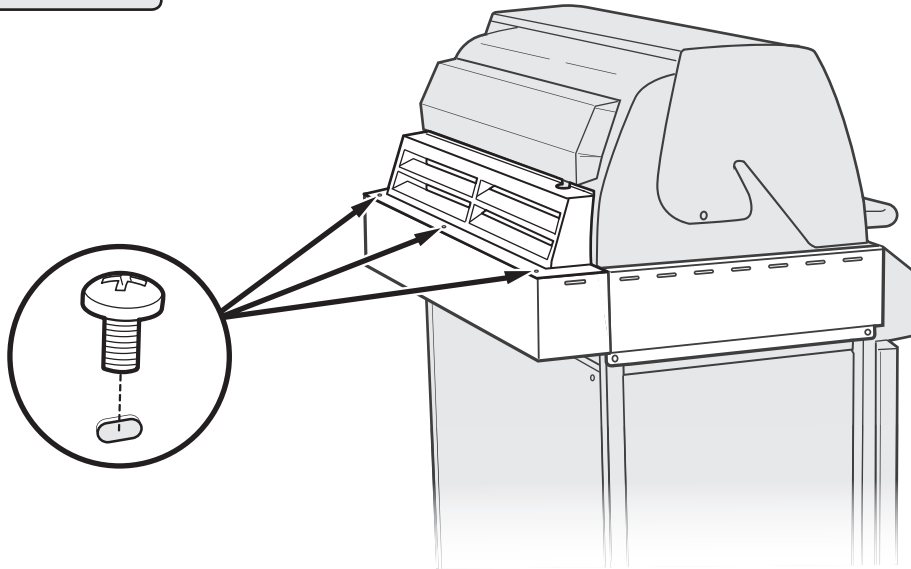
9



10



11

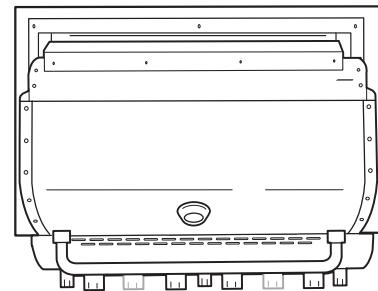
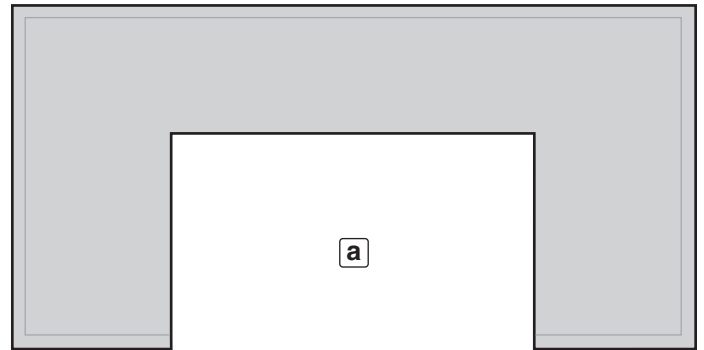


12

Now that the side vents are installed, the grill should be placed directly in front of the cut-out opening **(a)** of the built-in structure. The grill will be pushed straight into the structure once the wheel alignment panels are installed in the following steps. **Align grill with enclosure, but do not roll grill into enclosure at this time.**

Ahora que los respiraderos laterales están instalados, la barbacoa deberá colocarse directamente en frente de la abertura del corte **(a)** en la estructura de empotramiento. Una vez que los paneles de alineación de las ruedas estén instalados en los siguientes pasos, la barbacoa se empujará directamente dentro de la estructura. **Alinee la barbacoa con el compartimiento, pero no la ruede aún dentro del mismo.**

Maintenant que les aérations latérales sont installées, le grill devrait être placé directement en face de l'ouverture découpée **(a)** de la structure encastrée. Le grill sera enfoncé directement à l'intérieur de la structure une fois que les panneaux d'alignement des roues seront installés selon les étapes suivantes. **Alignez le grill avec le meuble, mais ne faites pas rouler le grill à l'intérieur du meuble pour l'instant.**

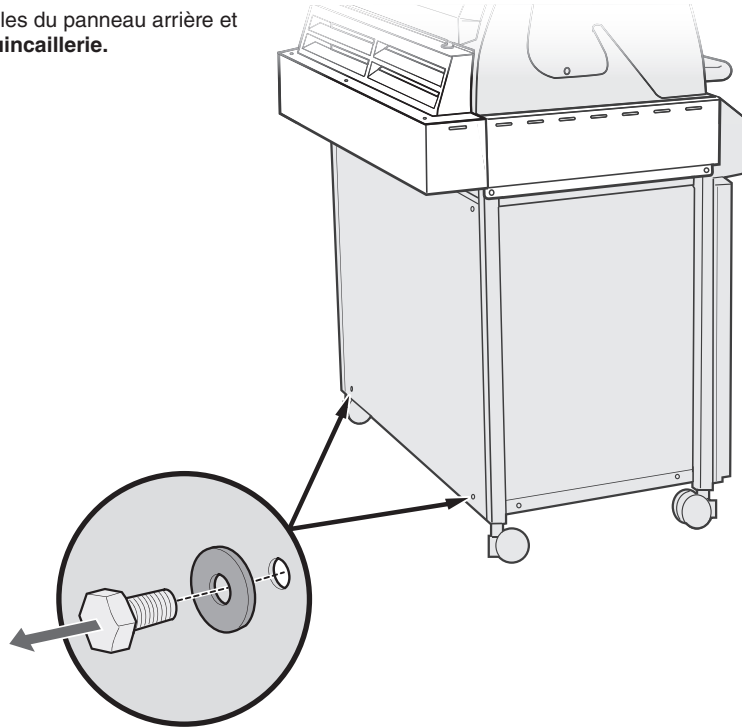


13

Remove two screws and two washers from back panel and set aside. **Do not discard hardware.**

Retire dos tornillos y dos arandelas del panel posterior y póngalos a un lado. **No deseche los herrajes.**

Retirez les deux vis et les deux rondelles du panneau arrière et mettez-les de côté. **Ne jetez pas la quincaillerie.**

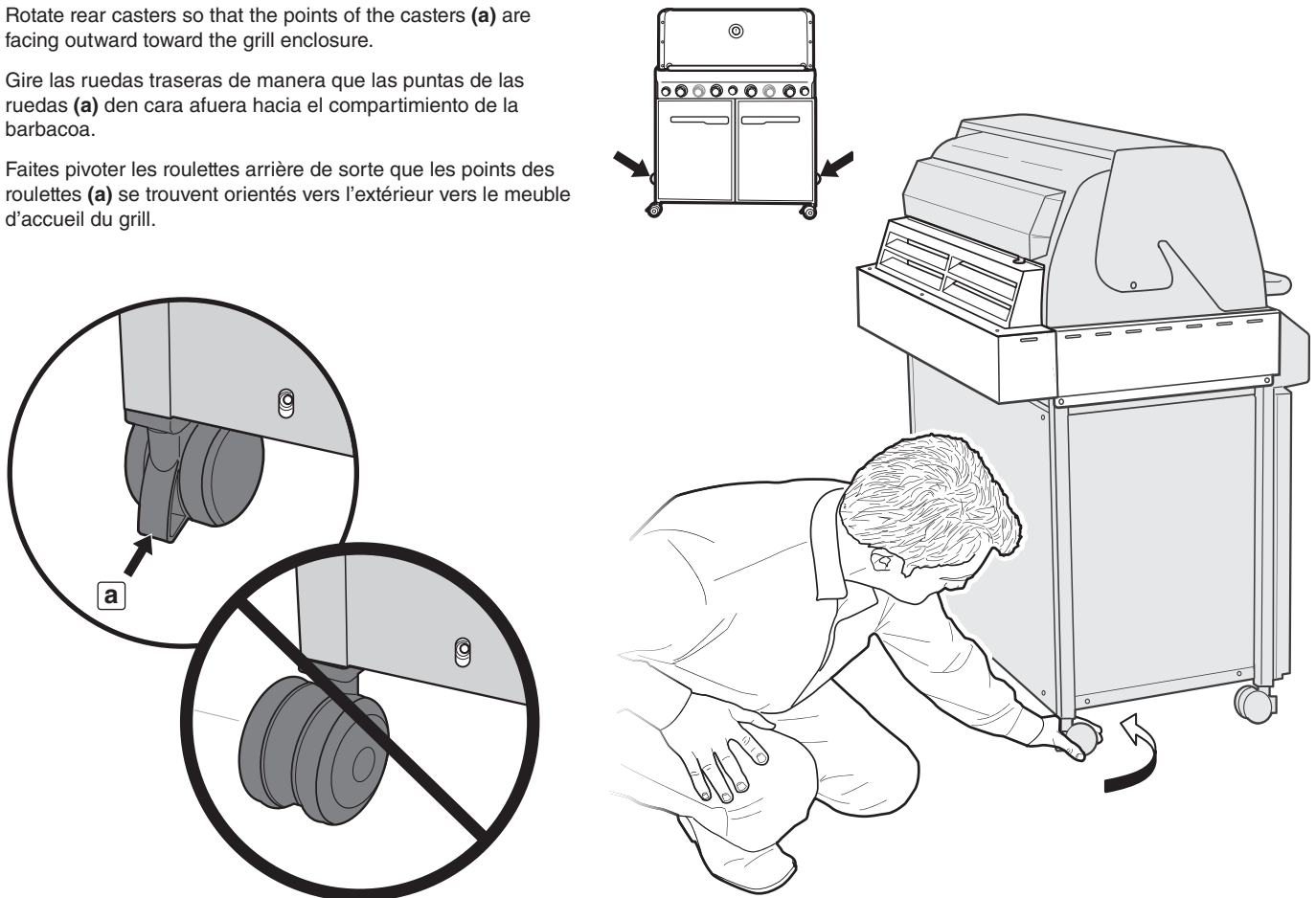


14

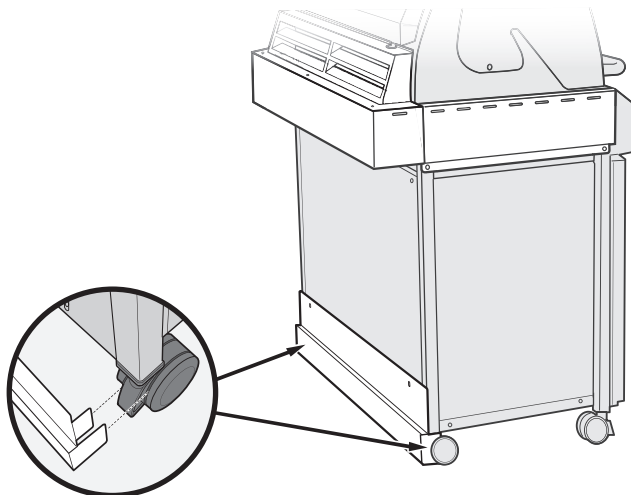
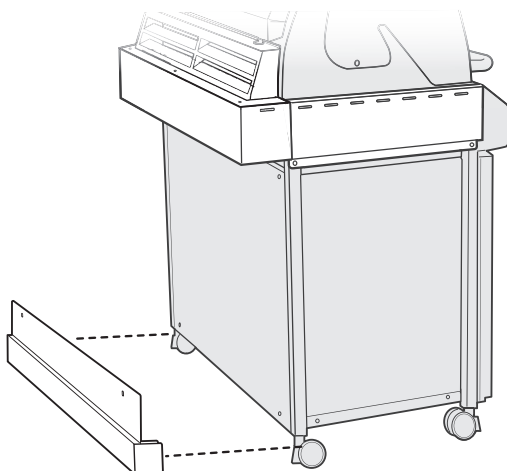
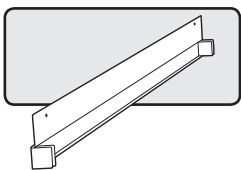
Rotate rear casters so that the points of the casters **(a)** are facing outward toward the grill enclosure.

Gire las ruedas traseras de manera que las puntas de las ruedas **(a)** den cara afuera hacia el compartimiento de la barbacoa.

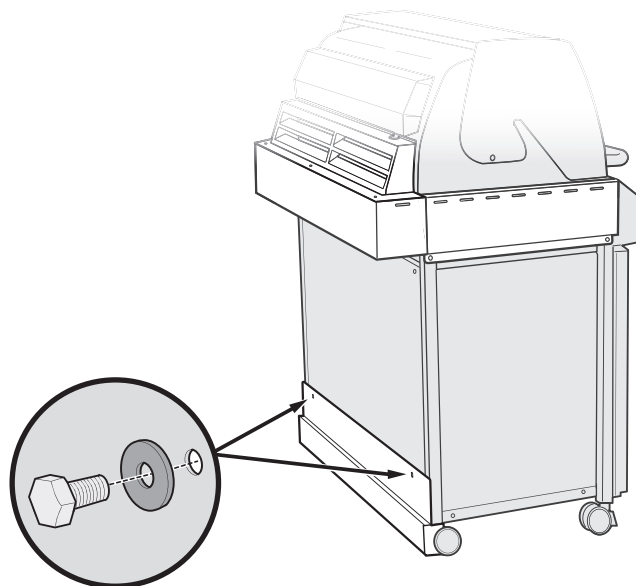
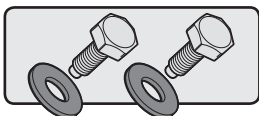
Faites pivoter les roulettes arrière de sorte que les points des roulettes **(a)** se trouvent orientés vers l'extérieur vers le meuble d'accueil du grill.



15



16

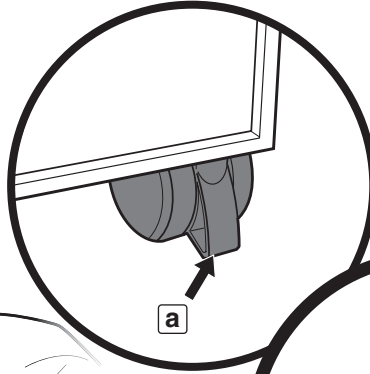
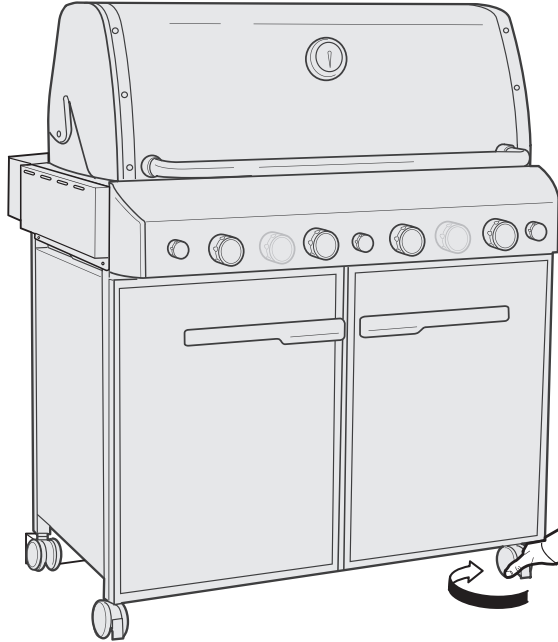
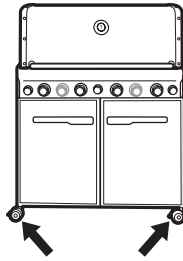


17

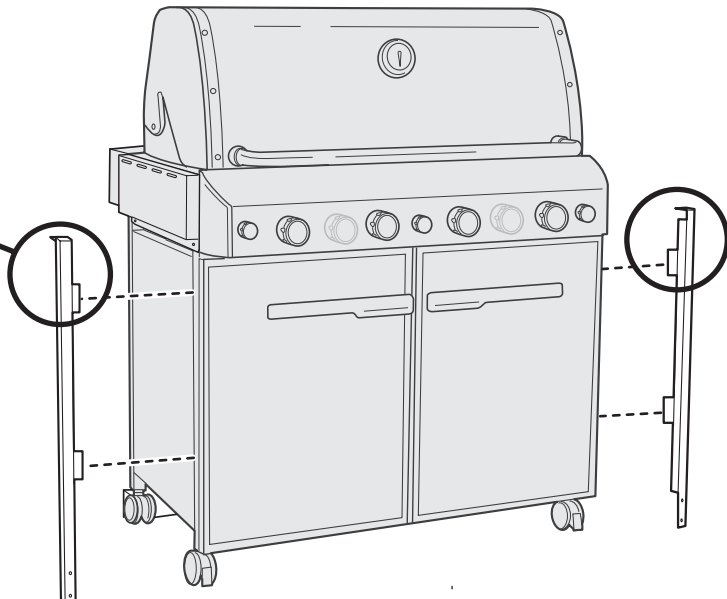
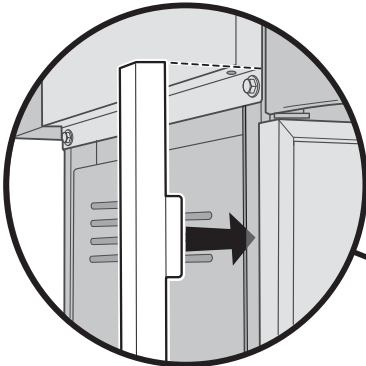
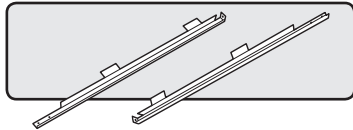
Rotate front casters so that caster points (a) are facing the front of the grill.

Gire las ruedas delanteras de manera que las puntas de las ruedas (a) den cara al frente de la barbacoa.

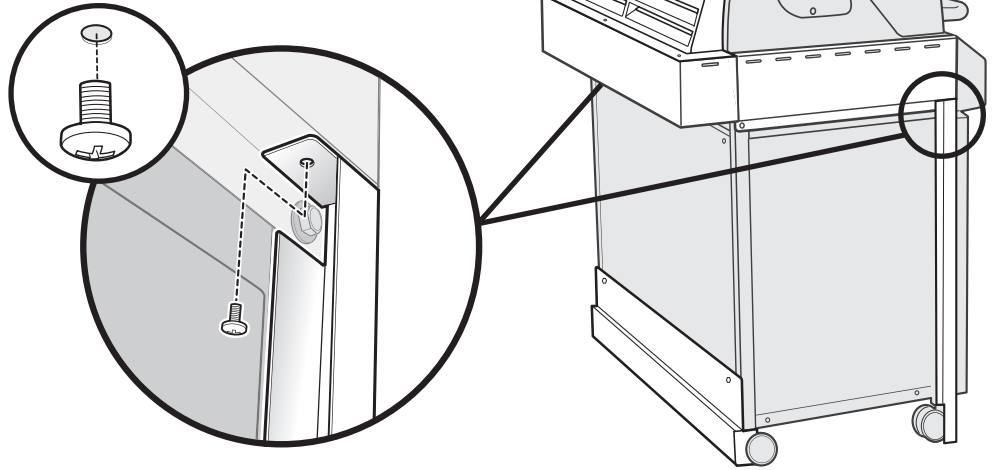
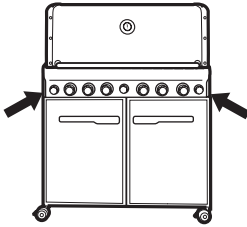
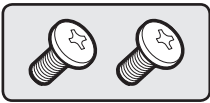
Faites pivoter les roulettes avant de sorte que les points des roulettes (a) se trouvent face à l'avant du grill.



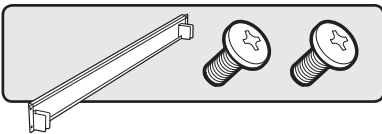
18



19



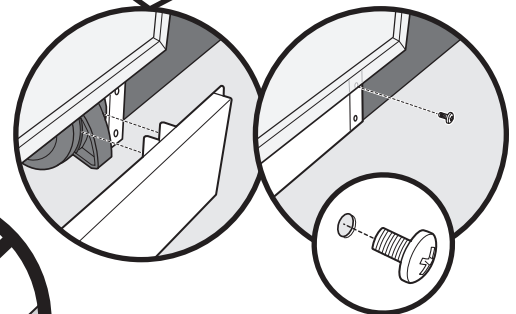
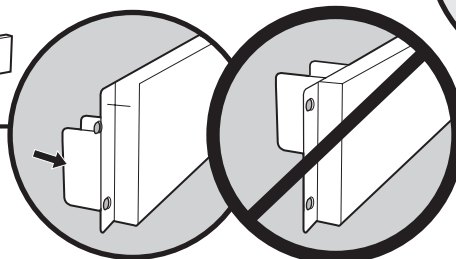
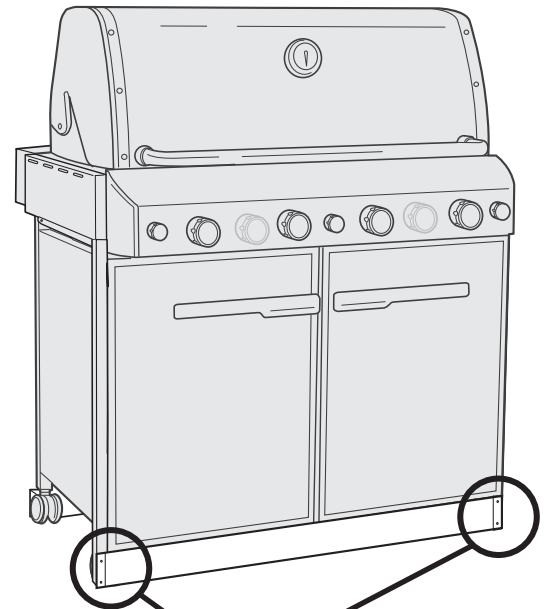
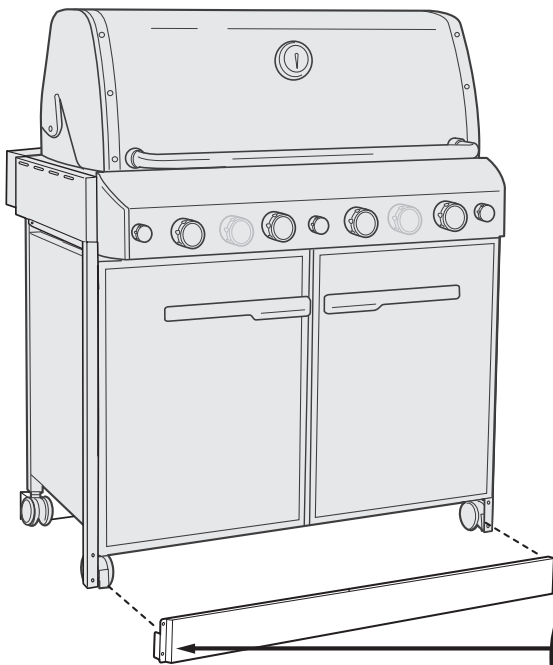
20



Temporarily install the front wheel alignment panel using just one screw on each side.

Instale temporalmente el panel delantero de alineación de las ruedas utilizando sólo un tornillo en cada lado.

Installez temporairement le panneau d'alignement des roues avant en utilisant juste une vis de chaque côté.

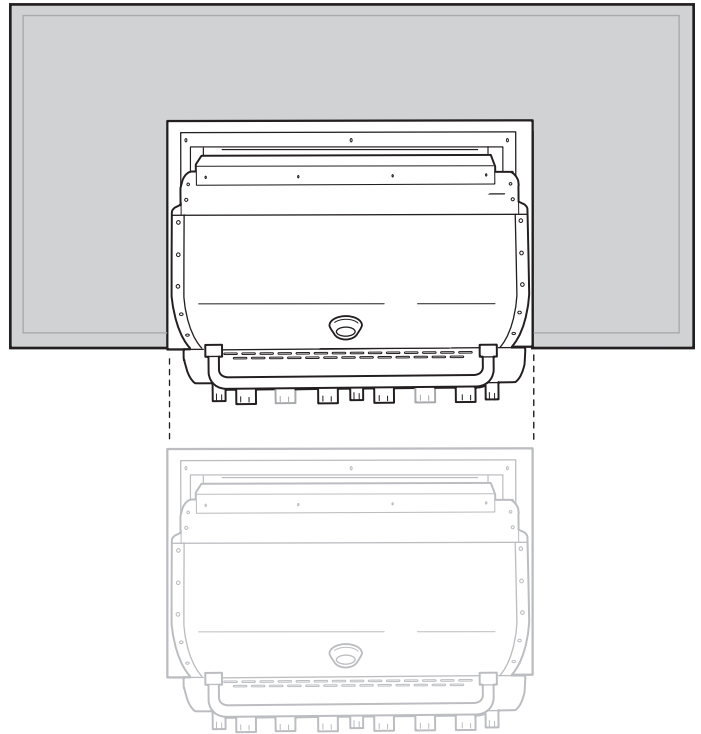


21

Roll grill straight back into enclosure.
Important Note: Surface must be level.

Ruede la parrilla directamente atrás hacia el compartimiento.
Nota importante: La superficie debe estar nivelada.

Faites rouler le grill directement à l'intérieur du meuble.
Remarque importante : La surface doit être plane.

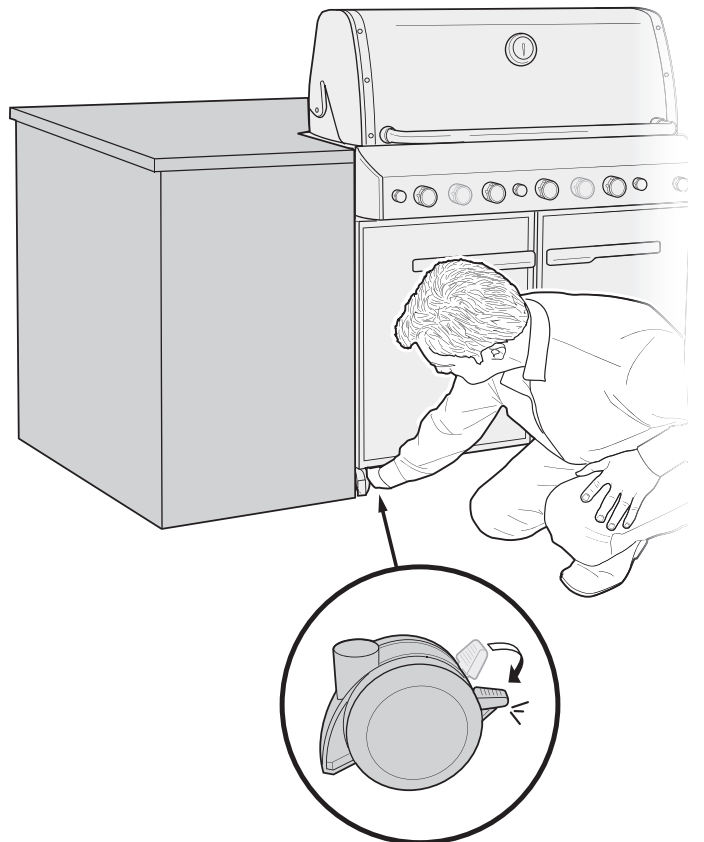
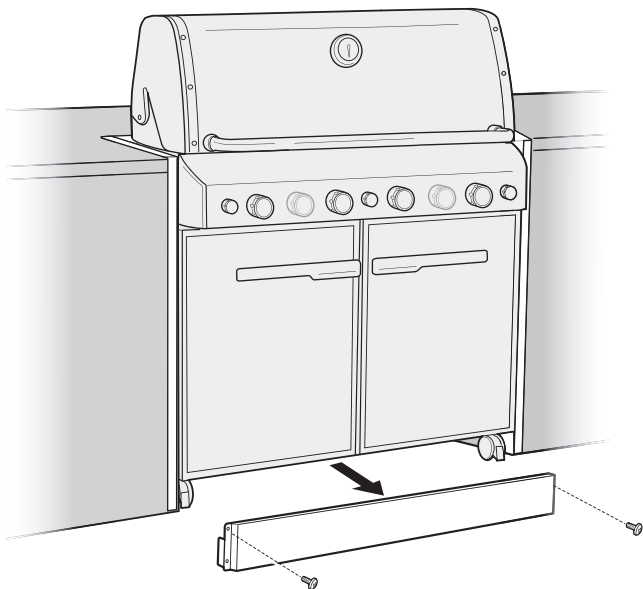


22

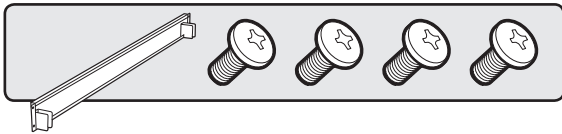
After the grill is properly located in the enclosure, remove the Front Wheel Alignment Panel. Reach underneath grill and lock the two front casters.

Una vez que la barbacoa esté correctamente ubicada dentro del compartimiento retire el Panel Delantero de Alineación de las Ruedas. Metiendo la mano debajo de la barbacoa, tranque los seguros de las ruedas delanteras.

Une fois que le grill a été positionné correctement à l'intérieur du meuble, retirez la Panneau d'alignement des roues avant. Passez sous le grill et verrouillez les deux roulettes avant.



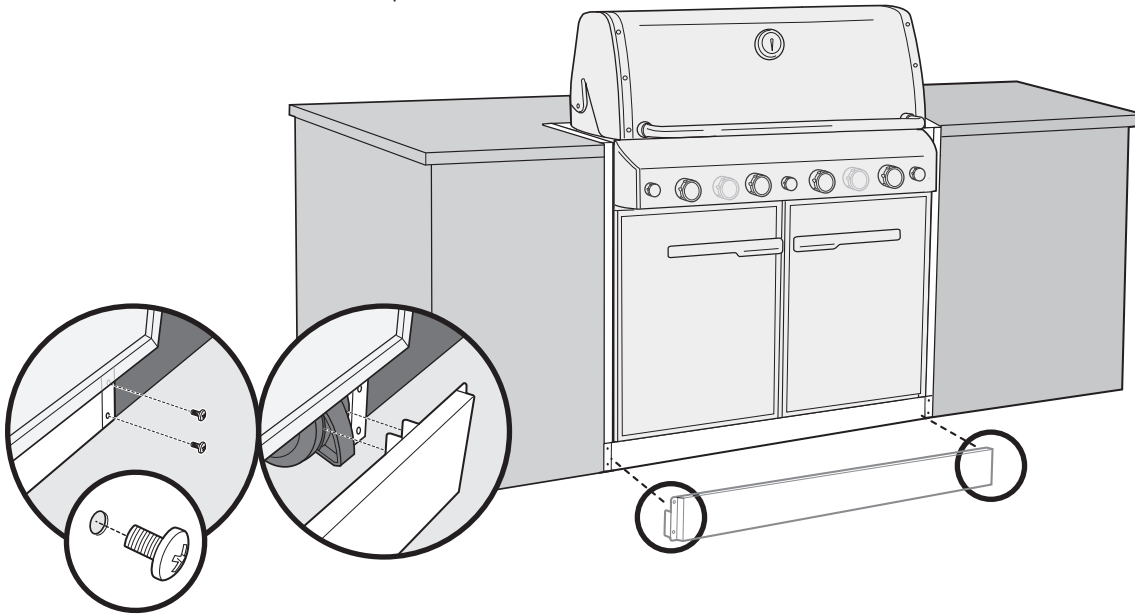
23



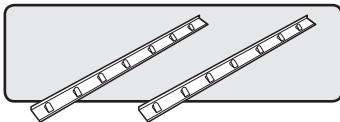
Reinstall the Front Wheel Alignment Panel securing both sides with all four screws.

Reinstale el Panel Delantero de Alineación de las Ruedas atornillándola a ambos lados con todos los cuatro tornillos.

Remettez en place le Panneau d'alignement des roues avant en fixant les deux côtés à l'aide de la totalité des quatre vis.



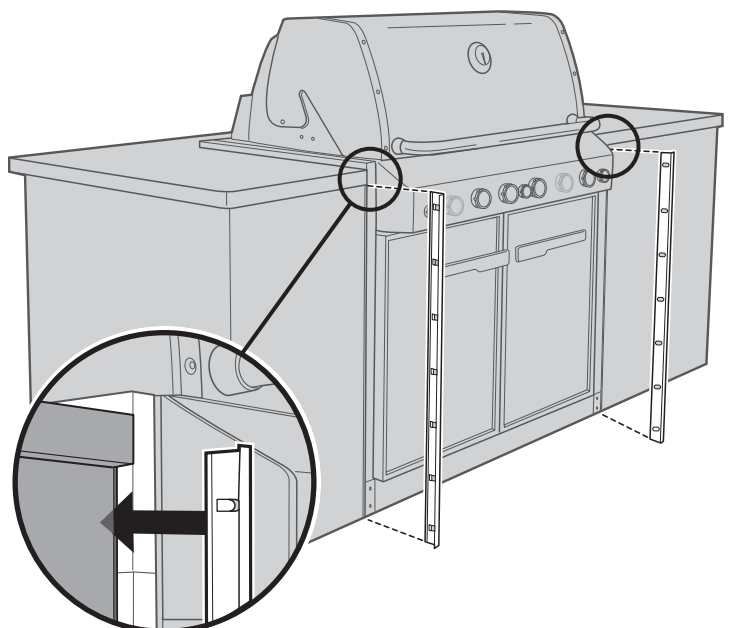
24



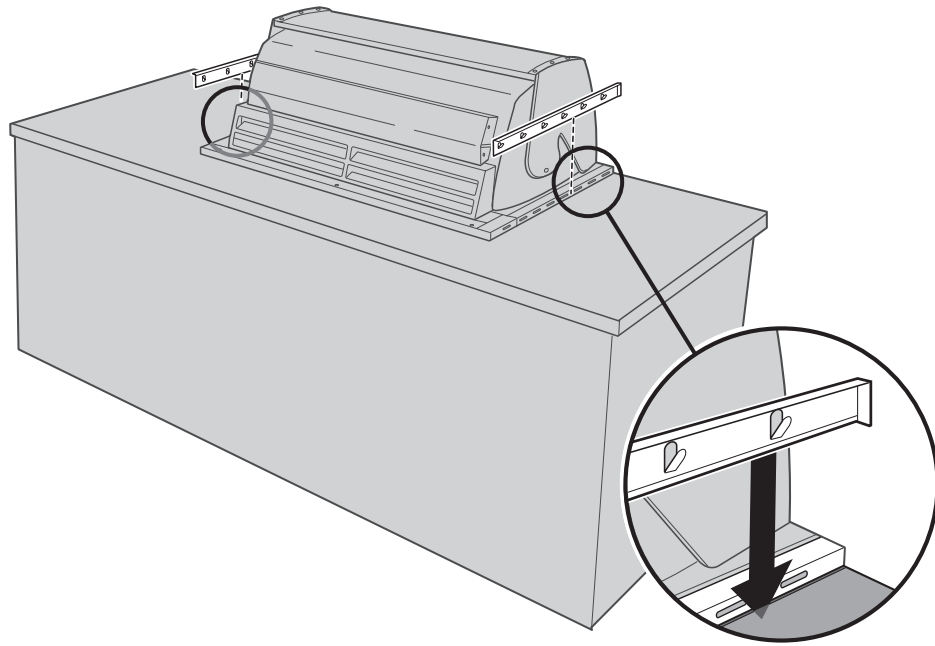
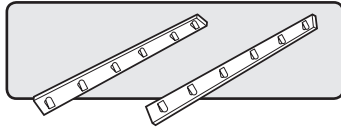
The included filler strips may be used to fill any gaps at the countertop or front of the grill. Install as needed.

Las tiras de relleno incluidas pueden utilizarse para rellenar cualquier separación en la encimera o en la parte delantera de la barbacoa. Instálaslas según se requiera.

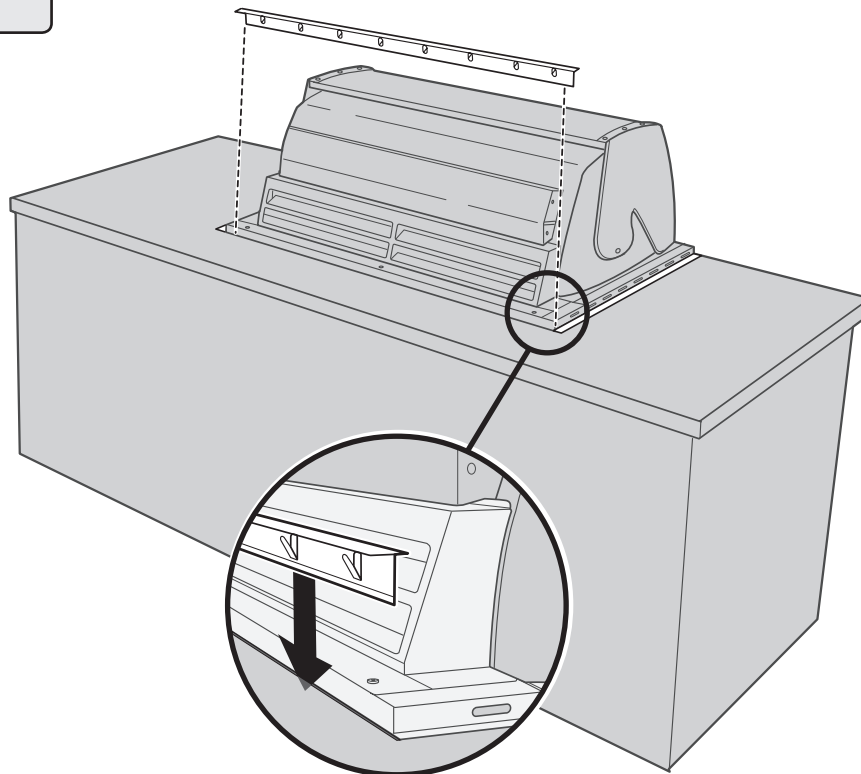
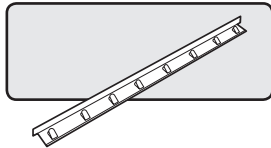
Les bandes de remplissage fournies peuvent être utilisées pour combler tout écart au niveau du plan de travail ou de l'avant du grill. Installez-les selon les besoins.



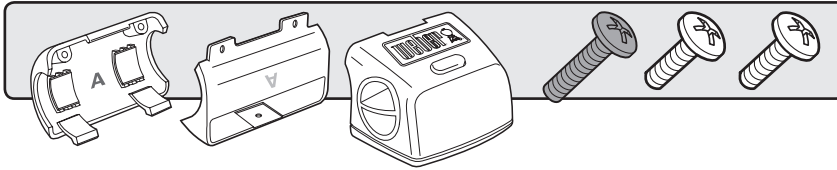
25



26



27



The Weber Grill Out™ Handle Light has a “Tilt Sensor”: Lid up - ON / Lid closed - OFF. The power button (a) activates or deactivates the “Tilt Sensor.” For daytime use, deactivate the sensor by pressing power button (a).

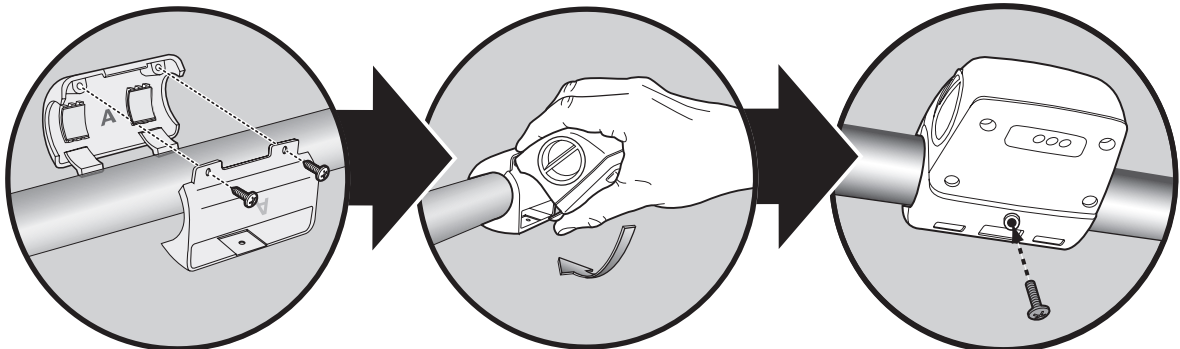
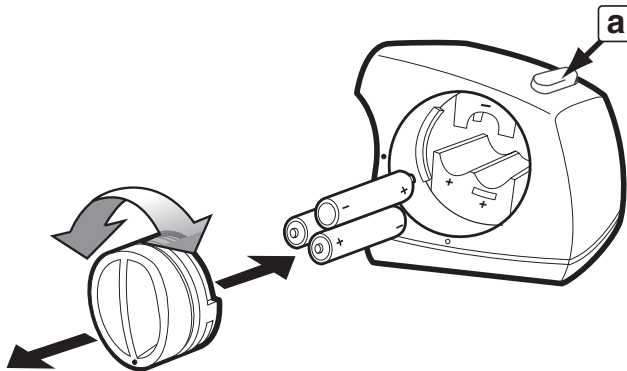
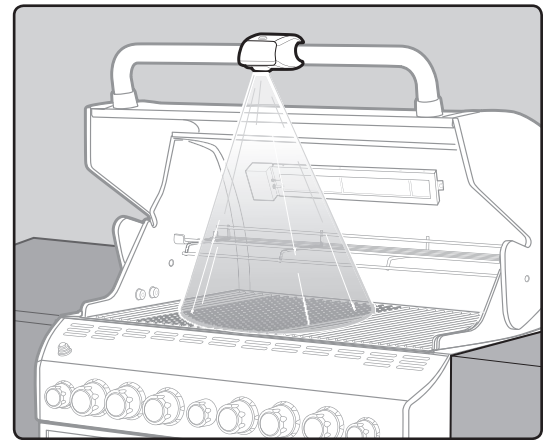
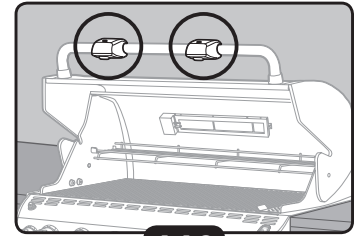
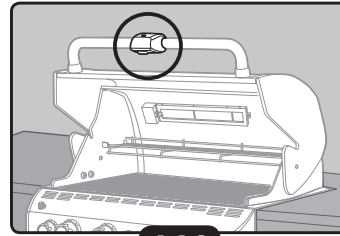
Requires 3 “AAA” alkaline batteries (not included). Use alkaline batteries only. Do not mix old and new batteries or different types of batteries (standard, alkaline or rechargeable).

La lámpara de asa Weber Grill Out™ cuenta con un “sensor de inclinación”: Tapa abierta - ENCENDIDA / Tapa cerrada - APAGADA. El botón de encendido (a) activa o desactiva el “sensor de inclinación”. Para usarse durante el día, desactive el sensor pulsando el botón de encendido (a).

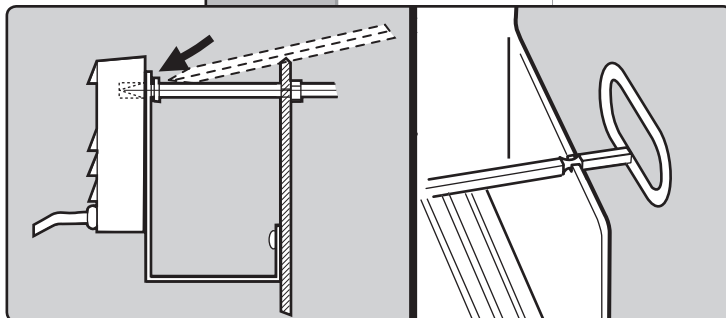
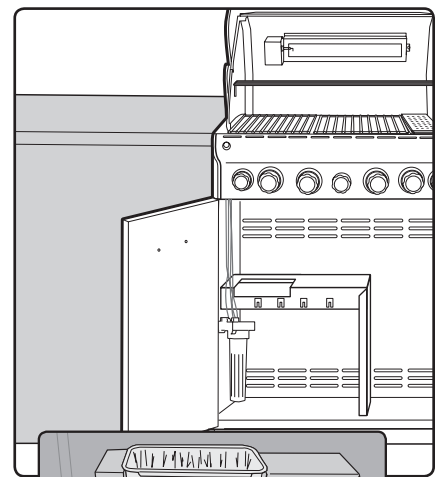
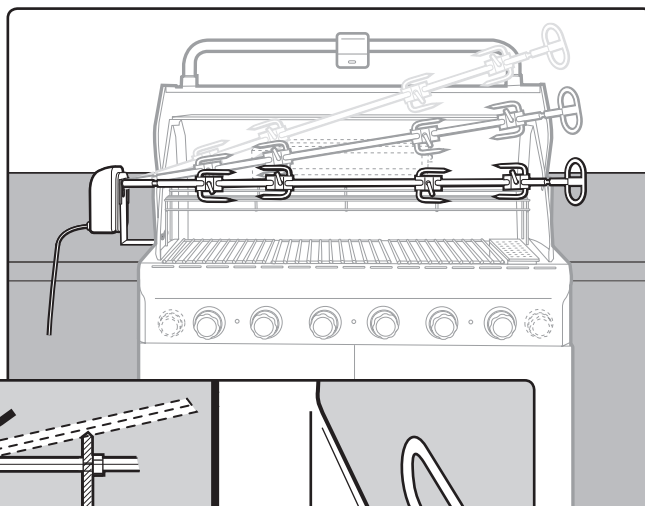
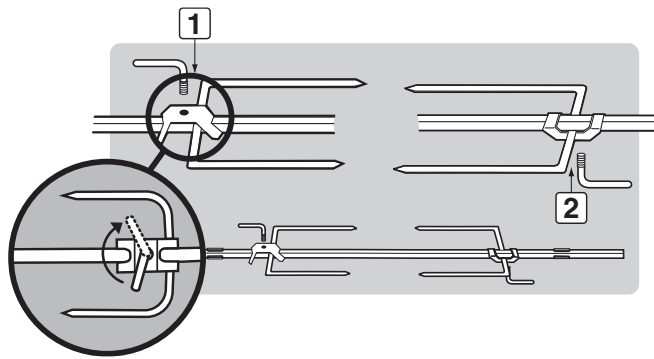
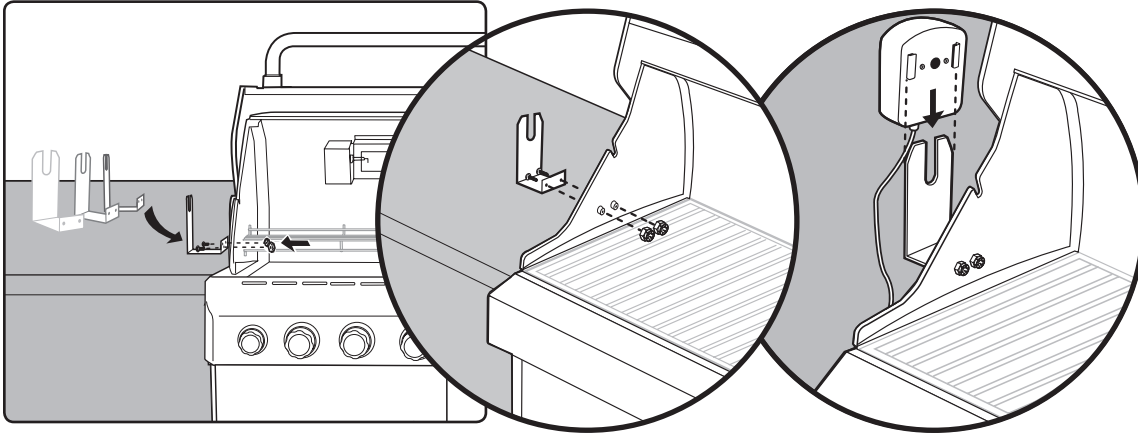
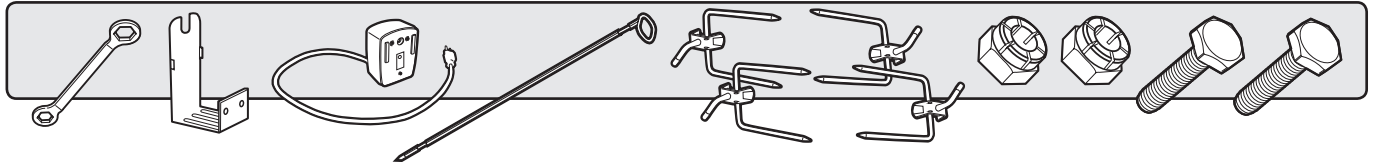
Requiere 3 pilas alcalinas “AAA” (no están incluidas). Use solamente baterías alcalinas. No mezcle baterías nuevas con viejas o diferentes tipos de baterías entre sí (normales, alcalinas o recargables).

La Poignée d’éclairage Weber Grill Out™ est équipée d’un “Détecteur d’inclinaison” : Couvercle levé - MARCHÉ / Couvercle fermé - ARRÊT. Le bouton de mise en marche (a) active ou désactive le “Détecteur d’inclinaison”. Pour une utilisation pendant la journée, désactivez le détecteur en appuyant sur le bouton de mise en marche (a).

Nécessite 3 piles alcalines “AAA” (non fournies). Utilisez des piles alcalines uniquement. Ne mélangez pas des piles neuves avec des piles usagées ou différents types de piles (standard, alcalines ou rechargeables).



28



BUILT-IN GAS LINE LOCATIONS

Note: Leave an access in the "island" structure for gas supply and regulator service that is not inside the grill structure.

Note: Area should be kept clear of sharp, jagged, or extremely abrasive surfaces to avoid possible damage to gas supply lines. Exercise caution when pulling gas lines through built-in structure. ♦

TYPICAL NATURAL GAS SUPPLY INSTALLATION

We recommend that this installation be done by a LICENSED professional.

General Specifications For Piping

Note - Contact your local municipality for building codes regulating outdoor gas grill installations. In absence of Local Codes, you must conform to the latest edition of National Fuel Gas Code ANSI Z223.1/NFPA54.

- This grill is designed to operate at 4.5 inches of water column pressure.
- A manual shut-off valve must be installed outdoors, and be accessible, not in the "built-in" structure. An additional manual shut-off valve indoors should be installed in the branch fuel line in an accessible location near the supply line.

⚠ CAUTION: If young children are in the area, a locking valve should be considered.

- Pipe compound should be used which is resistant to the action of liquid propane gas when gas connections are made.
- The gas connections must be firmly attached to a rigid, permanent construction.

Note: The information provided in this manual is general for typical installations. We cannot cover all possible installation ideas. We recommend, prior to installation, that you contact your municipality for local building codes and your local fire department for installation verification.

If you have any questions, contact Customer Service at 1-800-446-1071. ♦

GAS LINE PIPING

- Refer to piping chart.
- The corrugated gas line from the manifold is 58" (1,473.2 mm) long. Do not extend the gas line.
- We have provided the means to make an SAE 45° flare connection. Do not use pipe sealant on this connection.
- If the length of line required does not exceed 50 feet, use a 5/8" O.D. tube. One size larger should be used for lengths greater than 50 feet. Refer to piping chart.
- Gas piping may be copper tubing, type K or L; polyethylene plastic tube, with a minimum wall thickness of .062" (1.57 mm); or standard weight (schedule 40) steel or wrought iron pipe.
- Copper tubing must be tin-lined if the gas contains more than 0.3 grams of hydrogen sulfide per 100 cubic feet of gas.
- Plastic tubing is suitable only for outdoor, underground use.
- Gas piping in contact with earth, or any other material which may corrode the piping, must be protected against corrosion in an approved manner.
- Underground piping must have a minimum of 18" cover. ♦

BUILT-IN GAS LINE LOCATIONS

	460	660	TOLERANCES
1	16 1/2" (419.1 mm)	16 1/2" (419.1 mm)	±1/8" (3.2 mm)
2	11 1/8" (282.6 mm)	11 1/8" (282.6 mm)	±1/8" (3.2 mm)
3	2 1/2" (63.5 mm)	2 1/2" (63.5 mm)	±1/8" (3.2 mm)
a	Plan view right		
b	Side view		
c	Gas inlet		

GAS SUPPLY

TEST CONNECTIONS

All connections and joints must be thoroughly tested for leaks in accordance with local codes and all listed procedures in the latest edition of the National Fuel Gas Code ANSI Z223.1/NFPA 54, Natural Gas and Propane Installation Code, CSA B149.1, or Propane Storage and Handling Code, B149.2, or the Standard for Recreational Vehicles, ANSI A 119.2/NFPA 1192, and CSA Z240 RV Series, Recreational Vehicle Code, as applicable.

⚠ DANGER

Do not use an open flame to check for gas leaks. Be sure there are no sparks or open flames in the area while you check for gas leaks. This will result in a fire or explosion which can cause serious bodily injury or death, and damage to property. ♦

Table 6.2(a)		Maximum Capacity of Metallic Pipe in Cubic Feet of Gas per Hour for Gas Pressures of 2 psi or Less and a Pressure Drop of 0.3 Inch Water Column (Based on a 0.60 Specific Gravity Gas)													
Nominal Pipe Size (Inches)	Actual ID (Inches)	Length of Pipe (Feet)													
		10	20	30	40	50	60	70	80	90	100	125	150	175	200
1/2	.622	131	90	72	62	55	50	46	42	40	38	33	30	28	26
3/4	.824	273	188	151	129	114	104	95	89	83	79	70	63	58	54
1	1.049	514	353	284	243	215	195	179	167	157	148	131	119	109	102
1 1/4	1.380	1,060	726	583	499	442	400	368	343	322	304	269	244	224	209
1 1/2	1.610	1,580	1,090	873	747	662	600	552	514	482	455	403	366	336	313
2	2.067	3,050	2,090	1,680	1,440	1,280	1,160	1,060	989	928	877	777	704	648	602
2 1/2	2.469	4,860	3,340	2,680	2,290	2,030	1,840	1,690	1,580	1,480	1,400	1,240	1,120	1,030	960
3	3.068	8,580	5,900	4,740	4,050	3,590	3,260	3,000	2,790	2,610	2,470	2,190	1,980	1,820	1,700
4	4.026	17,500	12,000	9,660	8,270	7,330	6,640	6,110	5,680	5,330	5,040	4,460	4,050	3,720	3,460

© 2009 National Fire Protection Association, Inc. and International Approval Services - U.S., Inc. All Rights Reserved.

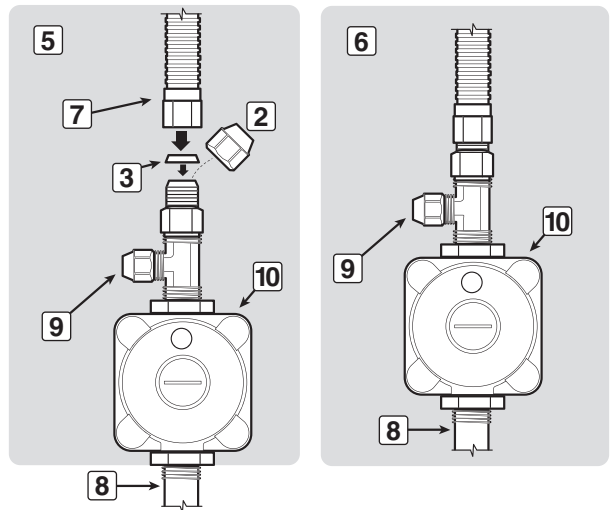
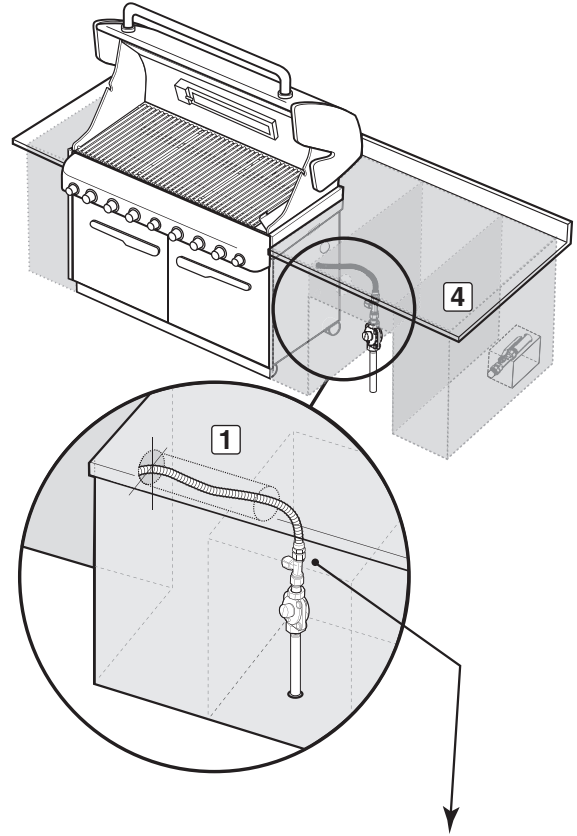
GAS SUPPLY CONNECTION

CONNECT GAS SUPPLY

A 58 inch (147.32 cm) corrugated gas line is connected to the manifold of the grill.

- A) The main corrugated line passes through the "Island Structure" cavity to the bulk head and regulator connection inside the tank enclosure (1)
- B) Uncap the flare fitting from the T-Connection on the bulk head and regulator connection (2).
- C) Connect the main corrugated hose to the T-Connection on bulkhead fitting. Use the 1/2 (12.7 mm) inch flared gasket to ensure proper seal (3).

CONNECTION CHART



4	Typical natural gas pipe routing
5	Side view
6	Gas line and regulator connected
7	Connecting corrugated gas line to the regulator
8	Hard piped gas supply
9	Cap (optional side burner)
10	Regulator

VENTILATION

VENTILATION

⚠ WARNING: Ventilation holes must be provided in the structure at the top and bottom to provide ventilation in the event of a gas leak.

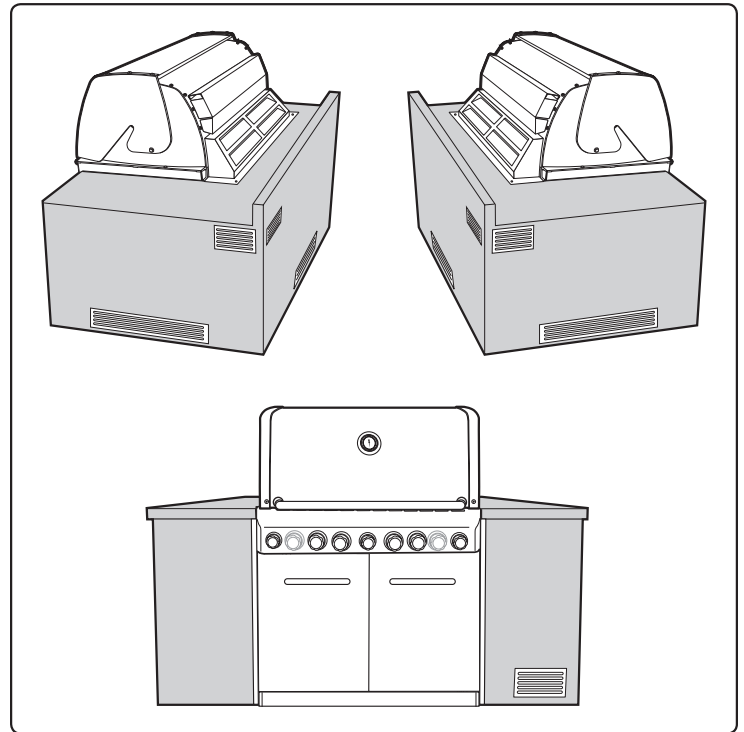
Ventilation holes can be located in a low visibility area and should be protected by screening material to prevent rodents and insects from entering the structure. Air holes will also help dry moisture.

Note: These drawings are only a reference.

- Cross ventilation must be incorporated in the supporting structure. We recommend a minimum of 100 square inches (254 square cm) of venting per side.
- Vents should be on two sides of the structure.
- The drawings are for reference only.
- Location of the vents should be from the center, outward.
- Locate the vents at both the bottom of the structure and at the top of the structure.
- The bottom vents should be as close to ground level as possible. Make sure the vent area is not blocked by interior supports of the structure.
- We recommend vents with screens.
- Access doors to the structure are not considered vents.
- Clean the vents periodically.

⚠ DANGER

Failure to follow recommended minimum venting instructions can cause gas to collect in the structure in the event of a gas leak. This may result in a fire or an explosion which can cause serious bodily injury or death, and damage to property. ♦



SUMMIT®



BARBACOA DE GAS

Guía de instalación de las barbacoas
de gas natural empotradas

Ensamblaje - Pg. 7

460 - NG

660 - NG

#56584



**DEBE LEER ESTA GUÍA DEL PROPIETARIO
ANTES DE PONER A FUNCIONAR LA
BARBACOA DE GAS.**

⚠ PELIGRO

Si huele a gas:

1. Cierre el suministro de gas al artefacto.
2. Apague todas las flamas cerrando la valvula general de paso.
3. Abra la tapa.
4. Llame inmediatamente a la central de fugas o a su proveedor de gas.

Una fuga de gas puede provocar un incendio o explosión que puede resultar en lesiones corporales serias o la muerte, o daños a la propiedad.

⚠ ADVERTENCIA

1. No almacene gasolina u otros fluidos inflamables en la cercanía de su aparato.
2. Ningún cilindro de propano licuado que no esté conectado para su uso deberá almacenarse cerca de éste o cualquier otro artefacto doméstico.

⚠ **ADVERTENCIA:** Antes de poner a funcionar la asador, siga cuidadosamente todos los procedimientos en este manual para verificar que no existan fugas. Haga esto aun y cuando la asador haya sido ensamblada por el distribuidor.

AVISO AL INSTALADOR:

Estas instrucciones deben permanecer con el propietario, quien las deberá guardar para un futuro uso.

**ESTE ARTEFACTO A GAS ESTÁ
DISEÑADO PARA USARSE SOLAMENTE
AL AIRE LIBRE.**

⚠ **ADVERTENCIA:** No encienda este artefacto sin primero leer las secciones de **ENCENDIDO DEL QUEMADOR** de este manual.



ADVERTENCIAS

⚠ PELIGRO

El hacer caso omiso de los avisos de peligros, advertencias y precauciones contenidos en este Manual del Propietario pudiera resultar en lesiones corporales serias o la muerte, o en un fuego o explosión que cause daños a la propiedad.

⚠ ADVERTENCIAS

- ⚠ No almacene un tanque de propano licuado desconectado o de repuesto debajo o cerca de este asador.
- ⚠ El ensamblaje incorrecto puede ser peligroso. Por favor siga cuidadosamente las instrucciones de ensamblaje.
- ⚠ Tras haber estado guardada o sin uso por algún tiempo, antes de usar la barbacoa de gas Weber® verifique que no existan fugas de gas o obstrucciones en el quemador. Vea en este manual las instrucciones para los procedimientos correctos.
- ⚠ No opere la barbacoa de gas Weber® si existe una fuga de gas.
- ⚠ No utilice una llama abierta para comprobar la existencia de fugas de gas.
- ⚠ Nunca debe haber materiales combustibles a una distancia menor de 24 pulgadas (60 cm) de la parte superior, inferior, trasera o lateral de su asador de gas Weber®.
- ⚠ No coloque una funda para barbacoas ni cualquier otro artículo inflamable sobre o dentro del área de almacenaje ubicada debajo del asador.
- ⚠ Nunca permita que los niños usen la barbacoa de gas Weber®. Algunas partes accesibles de la barbacoa pudieran estar muy calientes. Mantenga alejados a los niños pequeños mientras ésta se esté usando.
- ⚠ Usted debe proceder con razonable cuidado al usar su barbacoa de gas Weber®. Ésta estará caliente al cocinarse en ella o al limpiarla, y nunca deberá dejarse desatendida o moverse mientras esté funcionando.
- ⚠ Si llegasen a apagarse los quemadores, cierre todas las válvulas de gas. Abra la tapa y espere cinco minutos antes de tratar de volver a encender la barbacoa, usando las instrucciones de encendido en este manual.
- ⚠ No use carbón o piedra pómez en su barbacoa de gas Weber®.
- ⚠ No se incline sobre la barbacoa abierta o coloque las manos o dedos en el borde delantero de la caja de cocción.
- ⚠ Si la grasa llegase a agarrar fuego, apague todos los quemadores y mantenga la tapa cerrada hasta que se haya apagado el fuego.
- ⚠ Al limpiar las válvulas o los quemadores, no ensanche los orificios de las válvulas o las aberturas de los quemadores.
- ⚠ La barbacoa de gas Weber® deberá limpiarse a fondo regularmente.

- ⚠ El propano licuado no es gas natural. El uso de gas natural en una unidad de propano licuado o viceversa, propano licuado en una de gas natural, es peligroso y anulará su garantía.
- ⚠ Mientras opere la barbacoa, utilice guantes resistentes al calor.
- ⚠ Mantenga alejados de todas las superficies calientes a todo cordón eléctrico y a la manguera de suministro de combustible.
- ⚠ Los subproductos de la combustión producidos al usar este producto contienen sustancias químicas que son conocidas por el Estado de la California como causantes de cáncer, defectos de nacimiento, u otros daños reproductivos.
- ⚠ No use esta barbacoa a menos que todas sus partes estén colocadas en su sitio. La unidad debe ensamblarse correctamente de acuerdo con las instrucciones de ensamblaje.
- ⚠ Propuesta 65 Advertencia: El manipular los materiales de latón en este producto lo exponen al plomo, una sustancia química conocida por el estado de California como causante de cáncer, de defectos de nacimiento o de otros daños reproductivos.
(Lávese las manos después de manipular este producto.)

ÚNICAMENTE UNIDADES DE GAS PROPANO LICUADO

- ⚠ Use el regulador que se suministra con la barbacoa de gas Weber®.
- ⚠ No trate de desconectar el regulador de gas o ninguna conexión de gas mientras esté funcionando la barbacoa.
- ⚠ Un cilindro de propano licuado abollado u oxidado pudiera ser peligroso y deberá ser revisado por su suplidor de propano licuado. No utilice ningún cilindro de propano licuado con una válvula dañada.
- ⚠ Aunque el cilindro de propano licuado pudiera aparentar estar vacío, algo de gas pudiera aún estar presente, por lo que el cilindro deberá transportarse y almacenarse tomando esta posibilidad en consideración.
- ⚠ Si usted ve, huele o escucha el silbido de un escape de gas del cilindro de propano licuado:
 1. Apártese del cilindro de propano licuado.
 2. No trate de corregir el problema usted mismo.
 3. Llame al cuerpo de bomberos local. ♦

DIMENSIONES DEL CORTE DEL EMPOTRAMIENTO

OPCIONES DE CONFIGURACIÓN DE LAS ESTRUCTURAS DE LAS "ISLAS"

Hay muchas opciones disponibles para ubicar los principales componentes en las estructuras de las islas. Los componentes principales son:

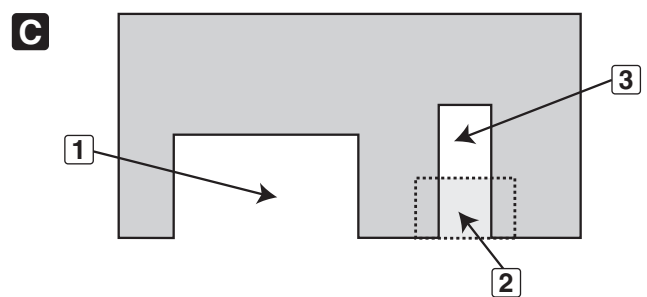
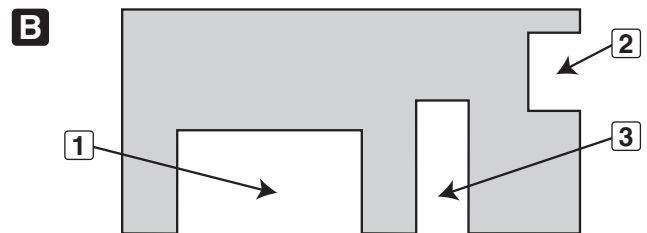
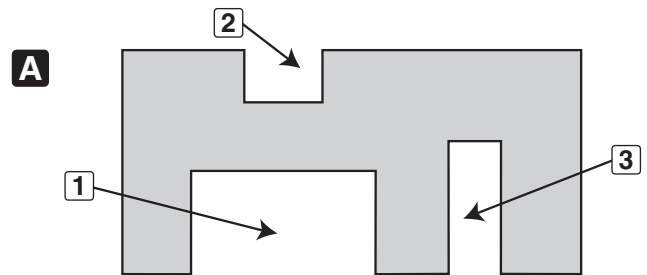
- A) La Barbacoa Empotrada
- B) El compartimiento del suministro de gas
- C) El Quemador Lateral accesorio opcional

En la tabla "Opciones de configuración de las estructuras de las 'islas'" se ilustran las 3 opciones comunes (A, B, C).

Nota: Limitación de la línea de gas

La manguera del suministro de gas desde el múltiple de la barbacoa al tabique de suministro de gas no debe ser mayor de 58" (147 cm). La manguera de 3/8" (9.52 mm) del Quemador Lateral accesorio (no incluida) no debe exceder de 58" (147 cm). ♦

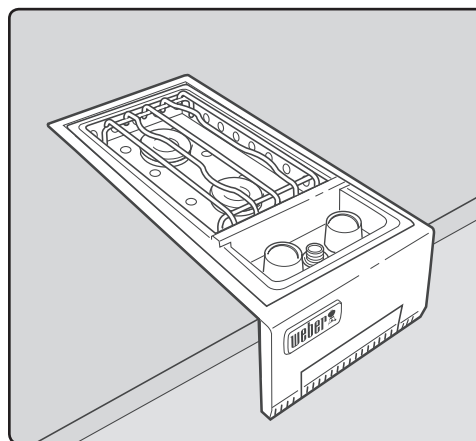
OPCIONES DE CONFIGURACIÓN DE LAS ESTRUCTURAS DE LAS "ISLAS"



1	Barbacoa Summit® de 4 quemadores/6 quemadores
2	Suministro de gas
3	Quemador lateral accesorio opcional

NOTA: SI USTED HA COMPRADO UN QUEMADOR LATERAL

Si usted ha comprado un Quemador Lateral accesorio con la barbacoa de gas Summit®, Weber® le recomienda que lea la GUÍA DEL PROPIETARIO/DE INSTALACIÓN DEL QUEMADOR LATERAL SUMMIT® antes de diseñar su estructura de 'isla'. ♦



DIMENSIONES DEL CORTE DEL EMPOTRAMIENTO

UBICACIÓN DE LA BARBACOA

Al seleccionar una ubicación adecuada para la instalación de la barbacoa Summit® de gas, preste atención a tales asuntos como la exposición al viento, la proximidad al paso de la gente y en mantener cualquier línea de suministro de gas lo más corta posible. Nunca coloque la barbacoa Summit® de gas en un garaje, pasadizo techado, cobertizo, bajo un voladizo desprotegido o cualquier área encerrada. Coloque la barbacoa y la estructura en un sitio donde exista suficiente espacio para poder evacuarse de manera segura en caso de un fuego.

SEPARACIÓN DE LAS SUPERFICIES O ESTRUCTURAS

- ⚠ **ADVERTENCIA:** La separación desde los lados y la parte posterior de la barbacoa a cualquier superficie o estructura debe ser de 24" (610 mm). Antes de iniciar la instalación, consulte la "Instalación típica para el suministro de gas".
- ⚠ **ADVERTENCIA:** La estructura, la "isla", las encimeras y las áreas de trabajo adyacentes a la instalación de la barbacoa empotrada deben construirse exclusivamente con materiales no combustibles.

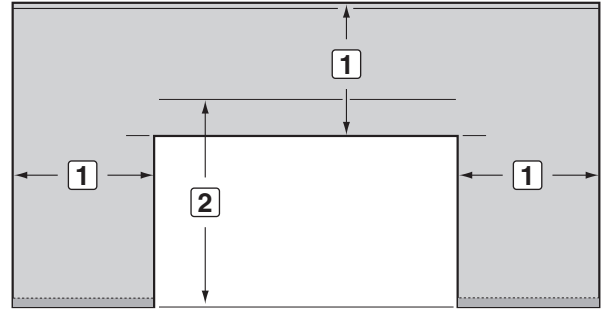
NOTA: Si tuviese cualquier pregunta sobre que materiales son considerados no combustibles, póngase en contacto con su proveedor local de materiales de construcción o con el cuerpo de bomberos. ♦

DIMENSIONES DEL CORTE DE LA ESTRUCTURA EMPOTRADA

Todas las dimensiones son con respecto a las superficies acabadas.

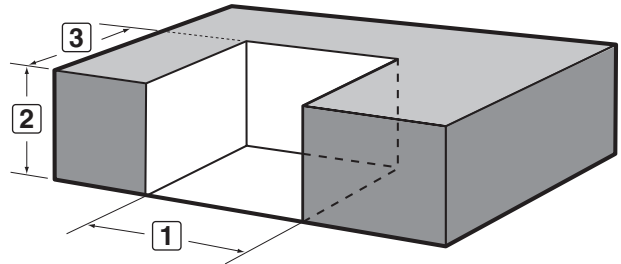
- ⚠ **ADVERTENCIA:** Todas las superficies de acabado de las encimeras deben construirse con materiales no combustibles. ♦

SEPARACIONES



1	24" (610 mm) Cualquier superficie
2	27" (686 mm) espacio libre mínimo para la tapa

DIMENSIONES GENERALES DEL CORTE DEL EMPOTRADO



	460	660	TOLERANCIAS
1	34" (864 mm)	42" (1067 mm)	±1/4" (6 mm)
2	36" (914 mm)	36" (914 mm)	max
3	24 5/16" (618 mm)	24 5/16" (618 mm)	±1/4" (6 mm)

DIMENSIONES DEL CORTE DEL EMPOTRAMIENTO

DETALLES GENERALES DE LA CONSTRUCCIÓN

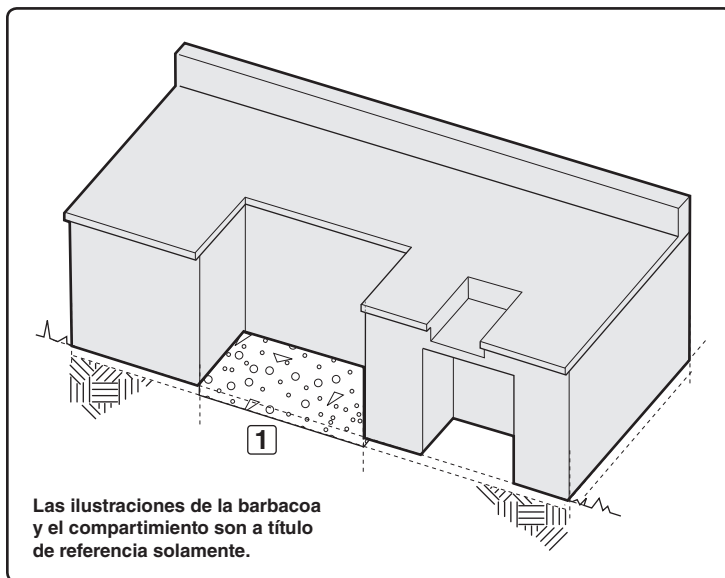
La unidad empotrada Summit® y todos los demás accesorios deberán estar en el lugar antes de comenzar la construcción.

Para facilitar la instalación, la barbacoa deberá empujarse sobre sus ruedas dentro de la estructura de empotramiento.

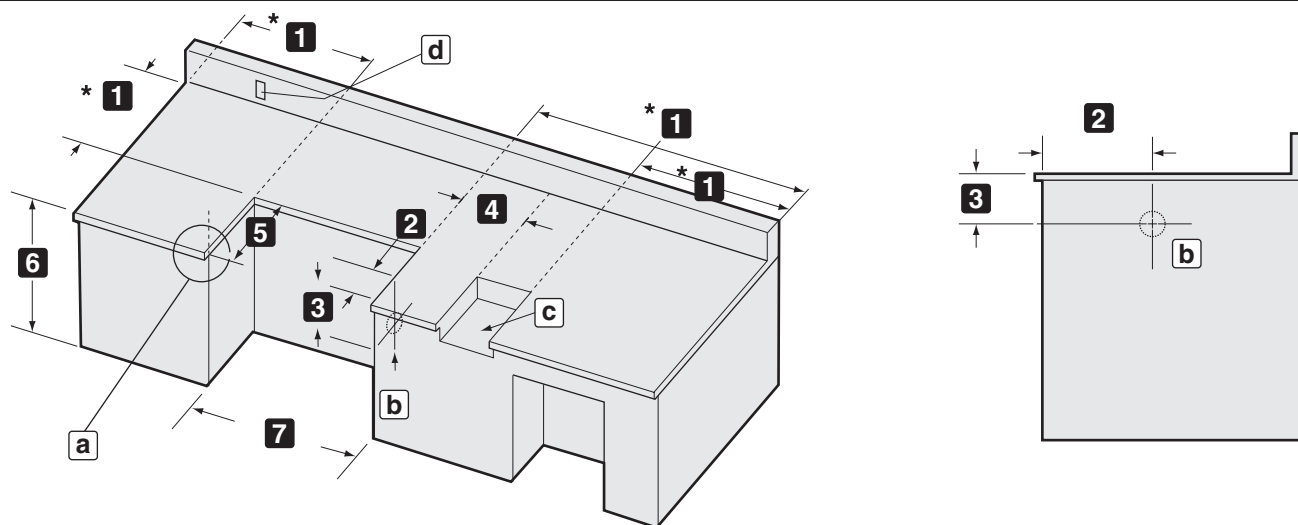
La instalación de esta barbacoa requiere que las superficies del piso de apoyo (1) y de la encimera estén nivelados. La superficie del piso de apoyo debe construirse a partir de materiales sólidos y debe estar nivelada y llana. Se deben utilizar materiales apropiados en la capa de asiento debajo del piso de apoyo para prevenir que los mismos se asienten y ahuequen.

Tomacorriente para el asador rotativo

Si la estructura de soporte va a tener un tomacorriente para un asador rotativo, éste deberá estar del lado izquierdo de la estructura. ♦



DIMENSIONES DETALLADAS DEL CORTE DEL EMPOTRADO



		460	660
DIMENSIONES	1	24" mínimo* (610 mm)	24" mínimo* (610 mm)
	2	16 1/2" (419 mm)	16 1/2" (419 mm)
	3	11 1/8" (283 mm)	11 1/8" (283 mm)
	4	10 1/2" (267 mm) mínimo	10 1/2" (267 mm) mínimo
	5	24 5/16" (618 mm)	24 5/16" (618 mm)
	6	36" (914 mm) máximo	36" (914 mm) máximo
	7	34" (864 mm) Bastidor empotrado	42" (1067 mm) Bastidor empotrado
	a	Para el tratamiento de la encimera: se recomienda un saliente de 3/4" (19 mm).	
	b	Entrada de gas	
	c	Abertura del quemador lateral	
	d	Acceso al sistema eléctrico en el lado de mano izquierda	
*El espacio libre entre cualquier superficie o estructura y la parte posterior y los lados de la barbacoa o el quemador lateral es de por lo menos 24" (610 mm).			

UBICACIONES DE LAS LÍNEAS DE GAS EMPOTRADAS

Nota: Deje un acceso en la estructura "isla" para el suministro de gas y el servicio regulador que no se encuentra dentro de la estructura de la barbacoa.

Nota: La zona no deberá tener superficies afiladas, dentadas o muy abrasivas a fin de evitar posibles daños a las líneas de suministro de gas. Tenga cuidado al halar las líneas de gas a través de la estructura de empotramiento. ♦

INSTALACIÓN TÍPICA PARA EL SUMINISTRO DE GAS NATURAL

Recomendamos que esta instalación sea ejecutada por un profesional CERTIFICADO

Especificaciones generales para la tubería

Nota - Póngase en contacto con la municipalidad de la localidad para obtener los códigos de construcción que regulan las instalaciones de las barbacoas a gas al aire libre. En la ausencia de códigos locales, deberá acatar la más reciente edición del código de gas "National Fuel Gas Code ANSI Z223.1/NFPA 54".

- Esta barbacoa está diseñada para operar bajo una presión de 4.5 pulgadas de columna de agua.
- Una válvula de cierre manual debe instalarse en una ubicación accesible al aire libre y no en la estructura "empotrada". Una válvula de cierre adicional bajo techo deberá instalarse en la línea auxiliar de gas combustible en una ubicación accesible cerca de la línea de suministro.

⚠ PRECAUCIÓN: Si en la zona hay niños presentes, debería considerarse una válvula de bloqueo.

- Se deberá utilizar un compuesto para el pegado de las tuberías que sea resistente a la acción del gas propano licuado cuando se haga la conexión al gas.
- Las conexiones de gas deben fijarse firmemente a elementos de construcción rígidos y permanentes.

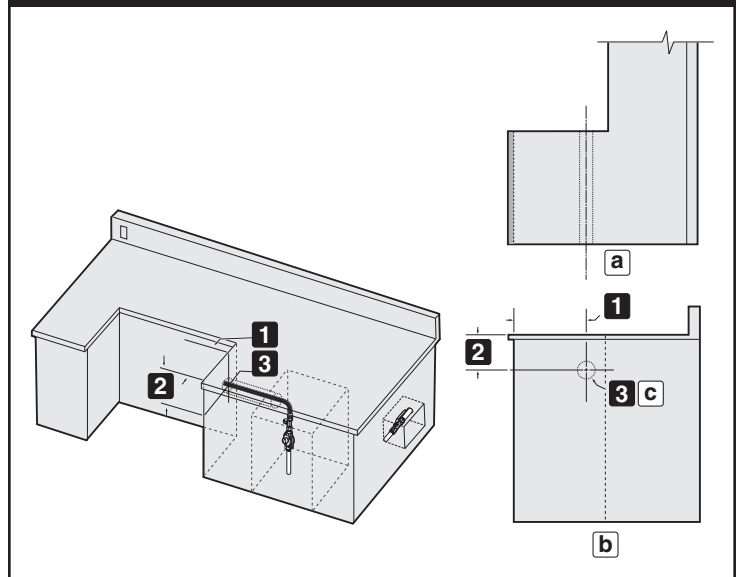
Nota: La información provista en este manual es una información general para instalaciones típicas. No podemos cubrir todas las ideas posibles de instalación. Le recomendamos, previo a la instalación, que se ponga en contacto con su municipalidad para averiguar los códigos de construcción pertinentes y con el departamento de bomberos para que verifiquen la instalación.

Si tuviese cualquier pregunta, póngase en contacto con Atención al Cliente por el 1-800-446-1071. ♦

TUBERÍA DE LA LÍNEA DE GAS

- Refiérase al cuadro de las tuberías en la parte inferior de la página anterior.
- La línea corrugada de gas proveniente del múltiple tiene 58 pulgadas (1,473.2 mm) de largo. No extienda la línea de gas.
- Hemos proporcionado los medios para hacer una conexión tipo asiento de compresión ("flare") de 45°. No utilice sellante de tubería en esta conexión.
- Si la longitud de la línea requerida no excede los 50 pies, utilice un tubo de 5/8" de diámetro externo. Se deberá usar el siguiente tamaño mayor para longitudes superiores a los 50 pies. Refiérase al cuadro de la tubería.
- La tubería de gas deberá ser de tubo de cobre, tipo K o L; tubo plástico de polietileno, con un espesor de pared de por lo menos 0.062 pulgadas (1.57 mm); o tubería de peso estándar (cédula 40) de acero o de hierro dulce.
- Los tubos de cobre deberán estar revestidos de estaño si el gas contiene más de 0.3 gramos de sulfuro de hidrógeno por 100 pies cúbicos de gas.
- La tubería de plástico es sólo apta para uso subterráneo en exteriores.
- La tubería de gas en contacto con la tierra, o cualquier otro material que pudiera corroerla, debe estar protegida contra la corrosión de una manera aprobada.
- Las tuberías bajo tierra deberá tener una cubierta mínima de 18". ♦

UBICACIONES DE LAS LÍNEAS DE GAS EMPOTRADAS



	460	660	TOLERANCIAS
1	16 1/2" (419.1 mm)	16 1/2" (419.1 mm)	±1/8" (3.2 mm)
2	11 1/8" (282.6 mm)	11 1/8" (282.6 mm)	±1/8" (3.2 mm)
3	2 1/2" (63.5 mm)	2 1/2" (63.5 mm)	±1/8" (3.2 mm)
a	Vista en planta derecho		
b	Vista lateral		
c	Entrada de gas		

PRUEBE LAS CONEXIONES

En la ausencia de códigos locales, debe acatar la más reciente edición del código nacional "National Fuel Gas Code ANSI Z223.1/NFPA 54", del código "Natural Gas and Propane Installation Code, CSA B149.1", o del código "Propane Storage and Handling Code, B149.2", o de las normas "Standard for Recreational Vehicles, ANSI A 119.2/NFPA 1192", y "CSA Z240 RV Series, Recreational Vehicle Code", según aplique.

⚠ PELIGRO

No utilice una llama abierta para comprobar si existen fugas de gas. Asegúrese de que no haya chispas o llamas abiertas en el área mientras comprueba si existen fugas. Chispas o llamas causarán un fuego o explosión, las cuales pueden causar serias lesiones corporales o la muerte, y daños a la propiedad. ♦

Cuadro 6.2(a)		Capacidad máxima de la tubería en pies cúbicos de gas por hora para presiones de gas de 2 psi o menos y caídas de presión de 0.3 pulgadas de columna de agua (Basado en una gravedad específica del gas de 0.60)													
Nominal Tubería Tamaño (pulgadas)	Diámetro Interno (pulgadas)	Longitud de tubería (pies)													
		10	20	30	40	50	60	70	80	90	100	125	150	175	200
1/2	.622	131	90	72	62	55	50	46	42	40	38	33	30	28	26
3/4	.824	273	188	151	129	114	104	95	89	83	79	70	63	58	54
1	1.049	514	353	284	243	215	195	179	167	157	148	131	119	109	102
1 1/4	1.380	1,060	726	583	499	442	400	368	343	322	304	269	244	224	209
1 1/2	1.610	1,580	1,090	873	747	662	600	552	514	482	455	403	366	336	313
2	2.067	3,050	2,090	1,680	1,440	1,280	1,160	1,060	989	928	877	777	704	648	602
2 1/2	2.469	4,860	3,340	2,680	2,290	2,030	1,840	1,690	1,580	1,480	1,400	1,240	1,120	1,030	960
3	3.068	8,580	5,900	4,740	4,050	3,590	3,260	3,000	2,790	2,610	2,470	2,190	1,980	1,820	1,700
4	4.026	17,500	12,000	9,660	8,270	7,330	6,640	6,110	5,680	5,330	5,040	4,460	4,050	3,720	3,460

© 2009 National Fire Protection Association, Inc. e International Approval Services - U.S., Inc. Todos los derechos reservados.

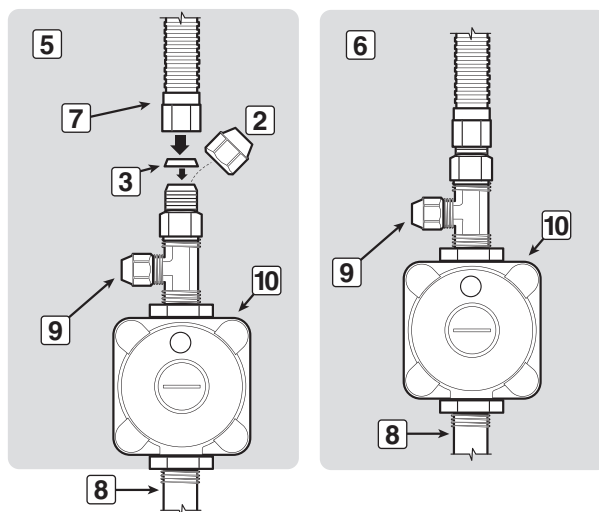
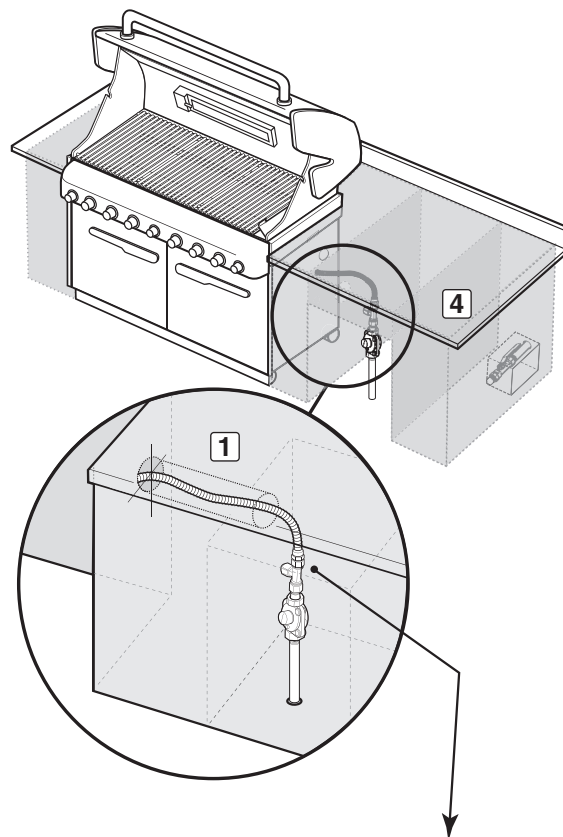
CONEXIÓN DEL SUMINISTRO DE GAS

CONECTAR EL SUMINISTRO DE GAS

Una línea de gas corrugada de 58 pulgadas (147.32 cm) se conecta al múltiple de la barbacoa.

- A) La línea principal corrugada pasa a través de la cavidad de la "estructura de la isla" a la conexión entre el tabique y el regulador dentro del compartimiento del tanque (1).
- B) Destape el accesorio acampanado de la Conexión tipo T en la conexión entre el tabique y el regulador (2).
- C) Conecte la manguera corrugada principal a la conexión T en la conexión del tabique. Utilice la empaquetadura abocinada de 1/2 pulgada (12.7 cm) para asegurar un sellado correcto (3).

CUADRO DE CONEXIONES



4	Trayecto típico para tuberías de gas natural
5	Vista lateral
6	Línea de gas y regulador conectados
7	Conexión de la línea de gas corrugada al regulador
8	Suministro de gas por tubería fija
9	Tapa (quemador lateral opcional)
10	Regulador

VENTILACIÓN

⚠ ADVERTENCIA: Se deben proporcionar orificios de ventilación en la parte superior e inferior de la estructura para brindar ventilación en caso de una fuga de gas.

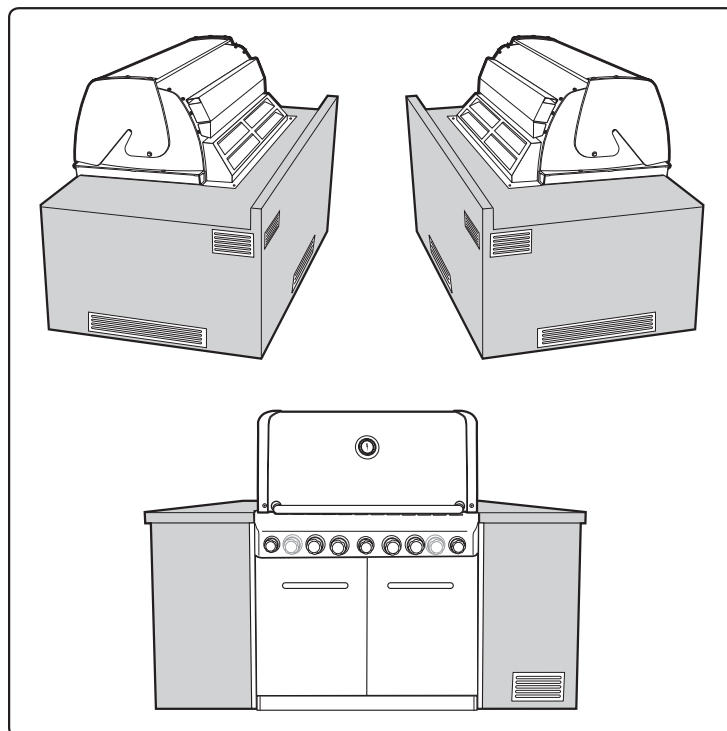
Los orificios de ventilación pueden estar ubicados en puntos poco visibles y deberán estar protegidos con una malla para prevenir que roedores e insectos entren a la estructura. Los orificios de ventilación también ayudarán a secar cualquier humedad.

Nota: Estos dibujos son solamente una referencia.

- Se debe incorporar ventilación cruzada en la estructura de soporte. Recomendamos por lo menos 100 pulgadas cuadradas (254 cm cuadrados) de ventilación por lado.
- Deberán haber respiraderos en dos lados de la estructura.
- Los dibujos indicados son solamente de referencia.
- La ubicación de los respiraderos deberá ser del centro hacia afuera.
- Coloque los respiraderos tanto en el fondo de la estructura como en la parte superior de la misma.
- Los respiraderos del fondo deberán estar lo más cerca posible del suelo. Asegúrese de que el área de ventilación no esté bloqueada por los soportes internos de la estructura.
- Recomendamos respiraderos con mallas.
- Las puertas de acceso a la estructura no se consideran respiraderos.
- Limpie los respiraderos con regularidad.

⚠ PELIGRO

El no acatar las instrucciones respecto a la ventilación mínima recomendada puede causar que el gas se acumule en la estructura si hubiese una fuga de gas. Esto pudiera resultar en un fuego o explosión, los cuales pueden causar graves lesiones corporales o la muerte, y daños a la propiedad. ♦



SUMMIT®



GRILL A GAZ

Guide pour l'installation du grill à gaz naturel intégré

Assemblage - Pg. 7

460 - NG

660 - NG

#56584



VOUS DEVEZ LIRE CE MODE D'EMPLOI AVANT D'UTILISER VOTRE GRILL A GAZ.

⚠ DANGER

S'il y a une odeur de gaz :

1. Coupez l'admission de gaz de l'appareil.
2. Éteindre toute flamme nue.
3. Ouvrir le couvercle.
4. Si l'odeur persiste, éloignez-vous de l'appareil et appelez immédiatement le fournisseur de gaz ou le service d'incendie.

Une fuite de gaz risque de provoquer un incendie ou une explosion susceptible d'occasionner des blessures graves, voire mortelles, ou des dégâts matériels.

⚠ AVERTISSEMENT :

1. Ne pas entreposer ni utiliser de l'essence ni d'autres vapeurs ou liquides inflammables dans le voisinage de l'appareil, ni de tout autre appareil.
2. Une bouteille de propane qui n'est pas raccordée en vue de son utilisation, ne doit pas être entreposée dans le voisinage de cet appareil ou de tout autre appareil.

⚠ MISE EN GARDE : Suivez toutes les procédures de détection des fuites de ce manuel avec soin avant d'utiliser la barbecue. Faites-le même si la barbecue a été assemblée par le revendeur.

NOTE A L'INTENTION DE L'INSTALLATEUR : Les présentes instructions doivent être remises au propriétaire et le propriétaire devrait les conserver pour les utiliser plus tard.

CET APPAREIL A GAZ EST CONÇU POUR UNE UTILISATION EN EXTERIEUR UNIQUEMENT.

⚠ MISE EN GARDE : N'allumez pas cet appareil sans lire d'abord les sections traitant de L'ALLUMAGE DU BRULEUR de ce manuel.



56584

FC - FRENCH CANADIAN

⚠ DANGER

Le non respect des consignes intitulées Danger, Mise en garde et Attention contenues dans le présent Mode d'emploi peut entraîner une blessure grave ou la mort, ou un incendie ou une explosion provoquant des dommages à la propriété.

⚠ MISES EN GARDE

- ⚠ Ne stockez pas de bouteille de gaz propane liquide de rechange ou de bouteille de gaz propane liquide débranchée au-dessous ou à proximité de ce barbecue.
- ⚠ Un mauvais montage peut se révéler dangereux. Veuillez suivre les instructions de montage avec soin.
- ⚠ Après une période de stockage et/ou d'inutilisation, le barbecue à gaz Weber® devrait faire l'objet d'une vérification visant à détecter toute fuite et toute obstruction des brûleurs avant toute utilisation. Voir les instructions de ce manuel pour les procédures correctes.
- ⚠ N'utilisez pas le barbecue à gaz Weber® en cas de fuite.
- ⚠ N'utilisez pas de flamme pour détecter les fuites de gaz.
- ⚠ Aucune matière inflammable ne devrait jamais se trouver dans un rayon de 24 pouces par rapport à l'arrière ou aux côtés de votre barbecue à gaz Weber®.
- ⚠ Ne placez pas de bâche de protection de barbecue ni aucune matière inflammable sur la barbecue ou dans la zone de stockage au-dessous du barbecue.
- ⚠ Votre barbecue à gaz Weber® ne devrait jamais être utilisé par des enfants. Les pièces accessibles du barbecue peuvent atteindre une température très élevée. Maintenez les jeunes enfants à l'écart pendant son utilisation.
- ⚠ Vous devriez faire preuve d'une prudence raisonnable lorsque vous utilisez votre barbecue à gaz Weber®. Celui-ci sera très chaud pendant la cuisson ou le nettoyage et ne devrait jamais être laissé sans surveillance ni déplacé pendant son utilisation.
- ⚠ Si les brûleurs s'éteignent pendant l'utilisation, fermez toutes les valves de gaz. Ouvrez le couvercle puis patientez cinq minutes avant d'essayer de rallumer les brûleurs, en utilisant les instructions pour l'allumage.
- ⚠ N'utilisez pas de charbon de bois ni de pierres de lave dans votre barbecue à gaz Weber®.
- ⚠ Ne vous penchez jamais au-dessus du grill ouvert ou ne placez jamais les mains ou les doigts sur l'extrémité avant du boîtier de cuisson.
- ⚠ Si un feu de graisse se produisait, fermez tous les brûleurs et laissez le couvercle fermé jusqu'à ce que le feu s'éteigne.
- ⚠ N'élargissez pas les orifices des valves ou les ports des brûleurs lorsque vous nettoyez les valves ou les brûleurs.
- ⚠ Le barbecue à gaz Weber® devrait être nettoyé méticuleusement de façon régulière.

- ⚠ Le gaz propane liquide n'est pas du gaz naturel. La conversion ou la tentative d'utilisation de gaz naturel dans un appareil à propane liquide ou de gaz propane liquide dans un appareil à gaz naturel est dangereuse et annulera votre garantie.
- ⚠ Utilisez des gants pour barbecue résistants à la chaleur lorsque vous utilisez le barbecue.
- ⚠ Maintenez tout cordon électrique d'alimentation ainsi que le tuyau d'alimentation en combustible à l'écart de toute surface chauffée.
- ⚠ Les dérivés de combustion générés lors de l'utilisation de ce produit contiennent des agents chimiques reconnus par l'Etat de Californie comme provoquant des cancers, des anomalies congénitales ou d'autres troubles de la reproduction.
- ⚠ N'intégrez pas ce modèle de grill à n'importe quelle construction encastrée ou à glissière. Le non respect de cet Avertissement risque de provoquer un incendie ou une explosion susceptible de provoquer des dégâts matériels ainsi que des blessures graves voire un décès.

APPAREILS A GAZ PROPANE UNIQUEMENT:

- ⚠ Utilisez l'ensemble régulateur de pression et tuyau fourni avec votre barbecue à gaz Weber®.
- ⚠ Ne tentez pas de déconnecter l'ensemble régulateur et tuyau de gaz ni tout autre raccord de gaz pendant que vous utilisez votre barbecue.
- ⚠ L'utilisation d'une bouteille de gaz propane liquide comportant une bosse ou d'une bouteille rouillée peut être dangereuse et une telle bouteille devrait être vérifiée par votre fournisseur de propane. N'utilisez pas une bouteille de propane liquide dont la valve est détériorée.
- ⚠ Bien que votre bouteille de propane liquide puisse sembler vide, il est possible qu'elle contienne encore du gaz, et la bouteille devrait être transportée et stockée en conséquence.
- ⚠ Si vous voyez, sentez ou entendez du gaz s'échapper de la bouteille de propane liquide:
 1. Eloignez-vous de la bouteille de propane liquide.
 2. Ne tentez pas de corriger le problème vous-même.
 3. Appelez votre service incendie. ♦

DIMENSIONS POUR LA DECOUPE D'ENCASTRAGE

OPTIONS POUR LA CONFIGURATION DE LA STRUCTURE EN "ILOT"

Il existe de nombreuses options disponibles pour l'emplacement des différents composants de votre structure en îlot. Vos principaux composants sont :

- A) Le Grill intégré
- B) Le placard de l'arrivée de gaz
- C) Le Brûleur latéral accessoire en option

Les 3 options les plus fréquentes (A, B, C) sont illustrées dans le tableau "Options pour la configuration de la structure en îlot".

Remarque : Limitation concernant la conduite de gaz

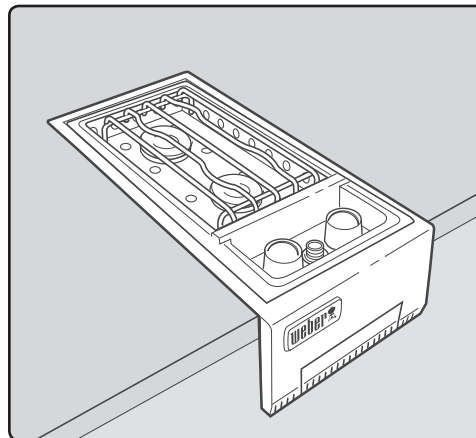
Le tuyau de l'arrivée de gaz depuis le collecteur du grill vers la cloison de l'arrivée de gaz ne doit pas dépasser 58" (147 cm). Le tuyau du Brûleur latéral de 3/8" (9,52 mm) (non fourni) ne doit pas dépasser 58" (147 cm). ♦

OPTIONS POUR LA CONFIGURATION DE LA STRUCTURE EN "ILOT"

1	Grill Summit® 4-brûleurs/6-brûleurs
2	Arrivée de gaz
3	Brûleur latéral accessoire en option

REMARQUE : SI VOUS AVEZ ACHETE UN BRULEUR LATERAL

Si vous avez acheté l'accessoire Brûleur latéral avec votre grill à gaz Summit®, Weber® vous recommande de lire le GUIDE D'INSTALLATION/MODE D'EMPLOI DU BRULEUR LATERAL SUMMIT® INTEGRE avant de concevoir votre structure en "îlot". ♦



DIMENSIONS POUR LA DECOUPE D'ENCASTRAGE

CHOISIR L'EMPLACEMENT DE VOTRE GRILL

Lorsque vous choisissez un emplacement adapté pour l'installation de votre grill à gaz Summit®, faites attention à des questions comme l'exposition au vent, la proximité de trajets de circulation, et au besoin de maintenir les conduites d'arrivée de gaz aussi courtes que possible. Ne placez jamais le grill à gaz Summit® dans un garage, un passage couvert, une cabane, sous une structure suspendue non protégée, ou dans toute autre zone confinée. Localisez le grill et la structure de sorte qu'il y ait suffisamment de place pour évacuer sans danger la zone en cas d'incendie.

ZONE DE DEGAGEMENT PAR RAPPORT AUX SURFACES OU STRUCTURES

- ⚠ **MISE EN GARDE** : La distance dégagée par rapport à toute surface ou structure est de 24" (610 mm) par rapport à l'arrière et aux côtés du grill. Voir "Installation d'arrivée de gaz typique" avant de commencer l'installation.
- ⚠ **MISE EN GARDE** : La structure, "l'îlot", les plans de travail, et les surfaces de travail adjacentes pour l'installation du grill à gaz intégré doivent être construits à partir de matériaux non inflammables uniquement.

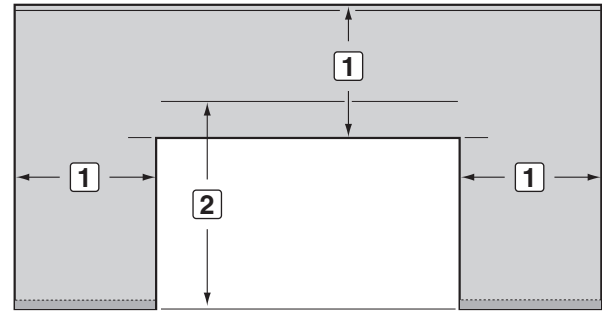
REMARQUE : Si vous avez des questions sur les matériaux qui sont considérés comme non inflammables, veuillez contacter le fournisseur de matériaux de construction le plus proche ou les pompiers. ♦

DIMENSIONS DE DECOUPE POUR LA STRUCTURE ENCASTREE

Toutes les dimensions correspondent à des surfaces finies.

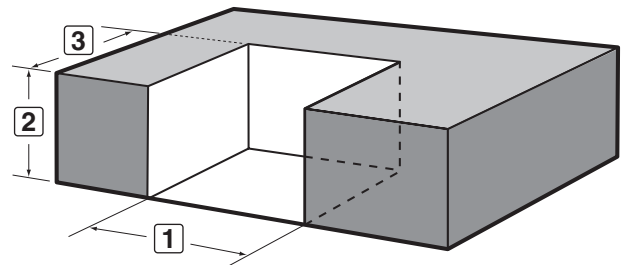
- ⚠ **MISE EN GARDE** : La totalité des surfaces finies du plan de travail doit être composée d'un matériau non inflammable. ♦

ESPACES DEGAGES



1	24" (610 mm) par rapport à n'importe quelle surface
2	27" (686 mm) minimum d'espace dégagé pour le couvercle

DIMENSIONS GENERALES POUR LA DECOUPE D'ENCASTRAGE



	460	660	TOLERANCES
1	34" (864 mm)	42" (1067 mm)	±1/4" (6 mm)
2	36" (914 mm)	36" (914 mm)	max
3	24 5/16" (618 mm)	24 5/16" (618 mm)	±1/4" (6 mm)

DIMENSIONS POUR LA DECOUPE D'ENCASTRAGE

GENERALITES SUR LA CONSTRUCTION

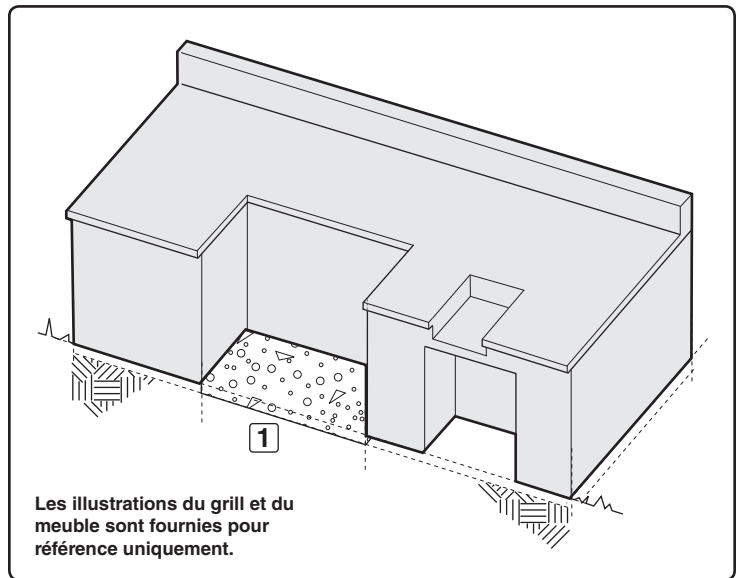
L'unité intégrée Summit® et toutes les autres unités accessoires devraient être sur site avant le début de la construction.

Pour simplifier l'installation, le grill sera poussé sur ses roulettes, jusque dans la structure encastrée.

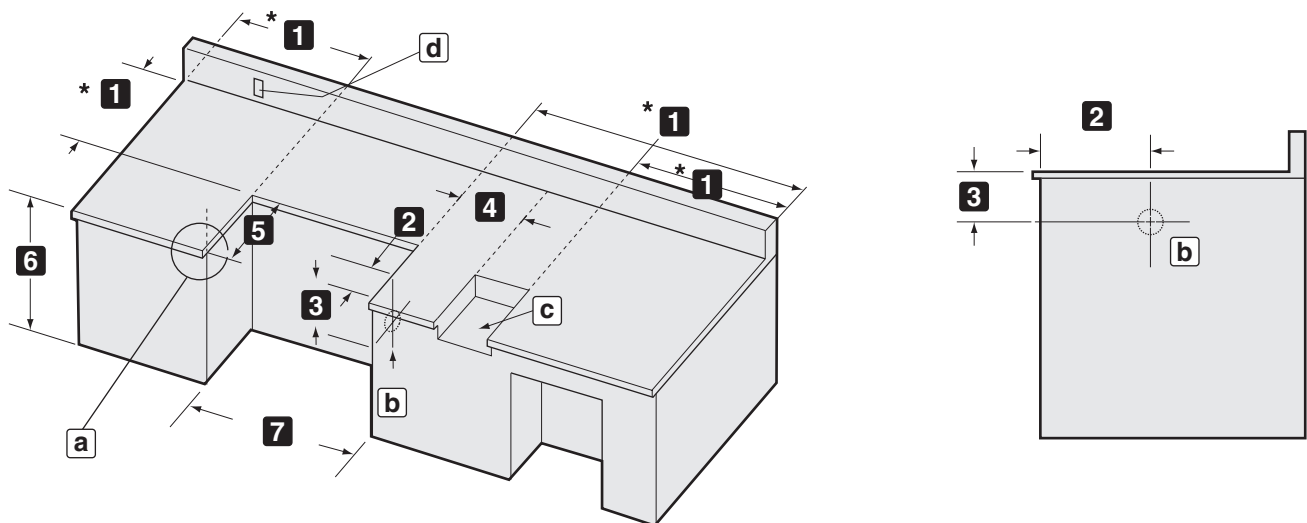
L'installation de ce grill nécessite une surface supérieure du sol qui soit plane (1) et la même chose pour le plan de travail. La surface externe du sol doit être composée de matériaux solides et elle doit être plane et lisse. Des matériaux adaptés doivent être utilisés sous la surface externe du sol pour empêcher les matériaux de s'enfoncer ou de se boursoufler.

Sortie électrique de la rôtissoire

Si la structure de support doit être pourvue d'une sortie électrique pour une rôtissoire, celle-ci devrait être située du côté gauche de la structure. ♦



DIMENSIONS DETAILLEES POUR LA DECOUPE D'ENCASTRAGE



		460	660
DIMENSIONS	1	24" minimum* (610 mm)	24" minimum* (610 mm)
	2	16 1/2" (419 mm)	16 1/2" (419 mm)
	3	11 1/8" (283 mm)	11 1/8" (283 mm)
	4	10 1/2" (267 mm) minimum	10 1/2" (267 mm) minimum
	5	24 5/16" (618 mm)	24 5/16" (618 mm)
	6	36" (914 mm) maximum	36" (914 mm) maximum
	7	Cadre encastré de 34" (864 mm)	Cadre encastré de 42" (1067 mm)
	a	Pour un traitement du plan de travail : suspension recommandée de 3/4" (19 mm).	
	b	Arrivée de gaz	
	c	Ouverture pour le brûleur latéral	
	d	Accès pour l'électricité du côté gauche	
*L'espace dégagé par rapport à toute surface ou structure est d'au moins 24" (610 mm) par rapport à l'arrière et aux côtés du grill ou du brûleur latéral.			

EMPLACEMENTS DES CONDUITES DE GAZ ENCASTREES

Remarque : Veuillez laisser un accès dans la structure en "îlot" pour l'entretien de l'arrivée de gaz et du régulateur ne se situant pas à l'intérieur de la structure du grill.

Remarque : La zone ne devrait contenir aucune surface tranchante, irrégulière ou extrêmement abrasive afin d'éviter toute détérioration potentielle des conduites d'arrivée de gaz. Veuillez faire preuve de prudence lorsque vous tirez les conduites de gaz à travers la structure encastrée. ♦

INSTALLATION D'ARRIVEE DE GAZ NATUREL TYPIQUE

Nous vous recommandons de confier cette installation à un professionnel QUALIFIE.

Generalites concernant les canalisations

Remarque - Veuillez contacter votre municipalité pour vous informer sur les codes de construction qui régissent les installations de grills à gaz d'extérieur. En l'absence de Codes régionaux, votre installation doit être conforme à la dernière édition du Code national du gaz combustible ANSI Z223.1/NFPA54.

- Ce grill est conçu pour fonctionner à une pression de colonne d'eau de 4,5 pouces.
- Une valve de fermeture manuelle doit être installée à l'extérieur, et elle doit être accessible, et ne pas se trouver dans la structure "encastrée". Une valve de fermeture manuelle supplémentaire devrait être installée à l'intérieur sur la conduite d'arrivée de gaz secondaire à un emplacement accessible près de la conduite d'arrivée de gaz.

⚠ ATTENTION : si de jeunes enfants sont présents dans la zone, vous devriez réfléchir à l'installation d'une valve autobloquante.

- Le composé de canalisation utilisé devrait résister à l'action du gaz propane liquide lorsque les raccordements sont effectués.
- Les raccords de gaz doivent être fermement fixés à une structure rigide permanente.

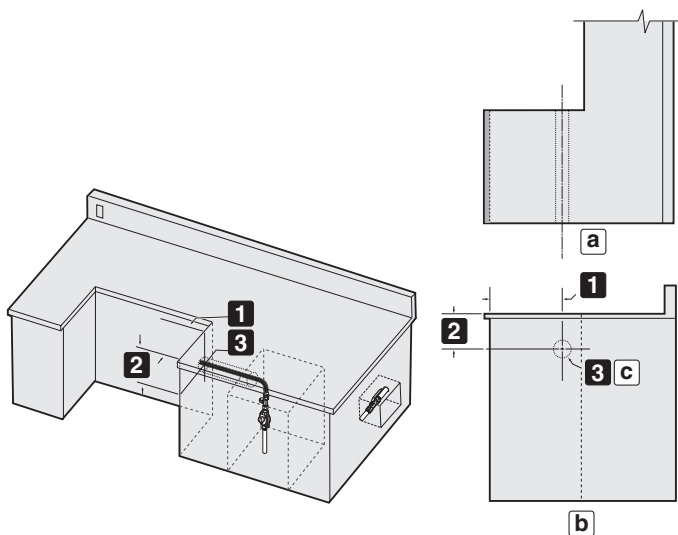
Remarque : Les informations fournies dans ce manuel sont des généralités adaptées aux installations typiques. Nous ne pouvons pas aborder la totalité des idées d'installation possibles. Avant l'installation, nous vous recommandons de contacter votre municipalité pour vous informer sur les codes de construction régionaux et votre service incendie pour faire vérifier votre installation.

Pour toute question, veuillez contacter le Service clientèle au 1-800-446-1071. ♦

CANALISATIONS DE GAZ

- Voir le schéma des canalisations au bas de la page précédente.
- La conduite de gaz ondulée en provenance du collecteur mesure 58 pouces (1.473,2 mm). N'allongez pas la conduite de gaz.
- Nous vous avons donné les moyens de faire un raccord évasé SAE de 45°. N'utilisez pas de joint pour canalisation sur ce raccord.
- Si la longueur de conduite nécessaire ne dépasse pas 50 pieds, utilisez un tube dont le diamètre externe est de 5/8". Vous devriez utiliser une taille de plus pour les longueurs supérieures à 50 pieds. Voir le tableau des canalisations.
- Les conduites de gaz peuvent être composées de tuyaux de cuivre, de type K ou L ; des tuyaux de plastique en polyéthylène, d'une épaisseur de paroi minimale de 0,062 pouce (1,57 mm) ; ou en acier de poids standard (plan 40) ou en fer forgé.
- Les tuyaux de cuivre doivent être couverts d'étain si le gaz contient plus de 0,3 grammes de sulfure d'hydrogène pour 100 pieds cubes de gaz.
- Les tuyaux de plastique conviennent uniquement pour une utilisation souterraine en extérieur.
- Les conduites de gaz en contact avec la terre ou toute autre matière susceptible de les corroder doivent être protégées contre la corrosion selon une méthode homologuée.
- Les canalisations souterraines doivent se trouver à une profondeur minimale de 18". ♦

EMPLACEMENTS POUR LA CONDUITE DE GAZ INTEGREE



	460	660	TOLERANCES
1	16 1/2" (419,1 mm)	16 1/2" (419,1 mm)	±1/8" (3,2 mm)
2	11 1/8" (282,6 mm)	11 1/8" (282,6 mm)	±1/8" (3,2 mm)
3	2 1/2" (63,5 mm)	2 1/2" (63,5 mm)	±1/8" (3,2 mm)
a	Vue plane de droite		
b	Vue de côté		
c	Arrivée de gaz		

TEST DES RACCORDS

La totalité des raccords et des joints doit faire l'objet de tests méticuleux afin de détecter toute fuite éventuelle conformément aux codes régionaux et à la totalité des procédures figurant dans la dernière édition du Code national des gaz combustibles ANSI Z223.1/ NFPA 54, du Code des installations de gaz naturel et de propane liquide, CSA B149.1, ou du Code relatif au stockage et à la manipulation de propane, B149.2, ou à la Norme relative aux véhicules de loisir, ANSI A 119.2/NFPA 1192, et CSA Z240 Série RV, Code relatif aux véhicules de loisir, le cas échéant.

⚠ DANGER

N'utilisez pas de flamme nue pour détecter les fuites de gaz. Assurez-vous de l'absence de toute étincelle ou flamme nue dans la zone pendant que vous détectez les fuites de gaz. Ceci entraînerait un incendie ou une explosion susceptible de provoquer une blessure grave ou un décès ainsi que des dégâts matériels. ♦

Taille nominale de la conduite en fer (Pouces)	Diamètre interne (Pouces)	Longueur de la conduite (Pieds)													
		10	20	30	40	50	60	70	80	90	100	125	150	175	200
1/2	.622	131	90	72	62	55	50	46	42	40	38	33	30	28	26
3/4	.824	273	188	151	129	114	104	95	89	83	79	70	63	58	54
1	1.049	514	353	284	243	215	195	179	167	157	148	131	119	109	102
1 1/4	1.380	1,060	726	583	499	442	400	368	343	322	304	269	244	224	209
1 1/2	1.610	1,580	1,090	873	747	662	600	552	514	482	455	403	366	336	313
2	2.067	3,050	2,090	1,680	1,440	1,280	1,160	1,060	989	928	877	777	704	648	602
2 1/2	2.469	4,860	3,340	2,680	2,290	2,030	1,840	1,690	1,580	1,480	1,400	1,240	1,120	1,030	960
3	3.068	8,580	5,900	4,740	4,050	3,590	3,260	3,000	2,790	2,610	2,470	2,190	1,980	1,820	1,700
4	4.026	17,500	12,000	9,660	8,270	7,330	6,640	6,110	5,680	5,330	5,040	4,460	4,050	3,720	3,460

© 2009 National Fire Protection Association, Inc. et International Approval Services - U.S., Inc. Tous droits réservés.

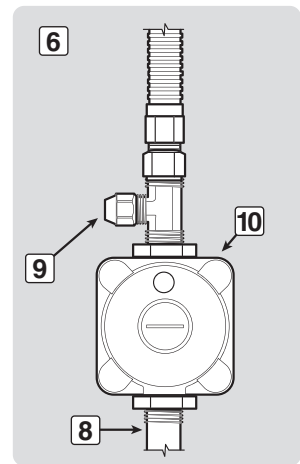
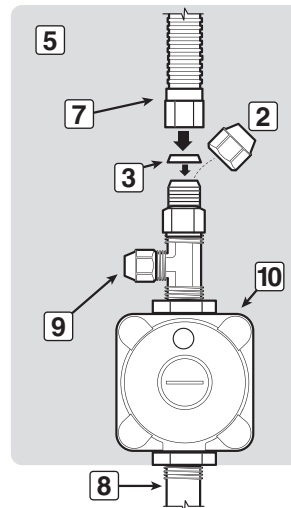
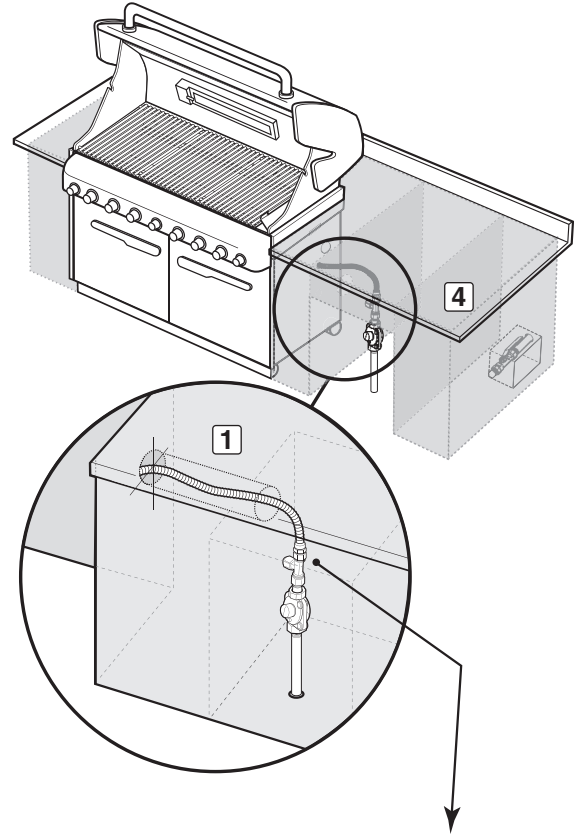
CONNEXION A L'ARRIVEE DE GAZ

CONNECTER L'ARRIVEE DE GAZ

Une conduite de gaz ondulée de 58 pouces (147,32 cm) est connectée vers le collecteur du grill.

- A) La conduite de gaz ondulée principale traverse la cavité de la "Structure en îlot" vers le raccord entre la tête du brûleur et le régulateur à l'intérieur du meuble de la bouteille de gaz (1)
- B) Retirez le cache du raccord évasé de la connexion en T sur le raccord entre la tête du brûleur et le régulateur (2).
- C) Connectez le tuyau ondulé principal à la connexion en T sur le raccord de la tête du brûleur. Utilisez le joint évasé de 1/2 (12,7 mm) pouce pour garantir une étanchéité correcte (3).

TABLEAU DE CONNEXION



4	Trajet de conduite de gaz naturel typique
5	Vue de côté
6	Conduite de gaz et régulateur connectés
7	Connexion entre la conduite de gaz ondulée et le régulateur
8	Arrivée de gaz à canalisation rigide
9	Cache (brûleur latéral en option)
10	Régulateur

VENTILATION

⚠ AVERTISSEMENT: des orifices d'aération doivent être prévus dans la structure au bas et en haut afin de permettre la ventilation du gaz en cas de fuite.

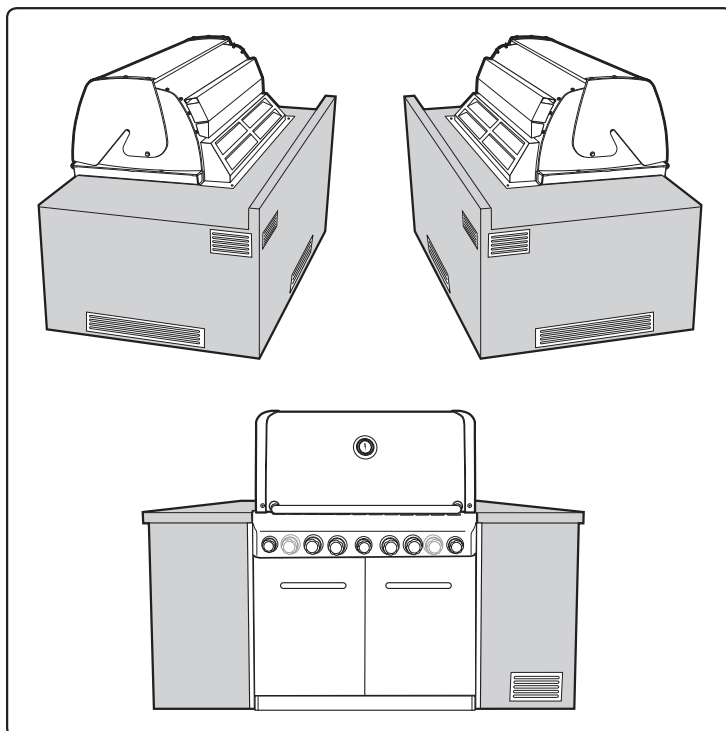
Les orifices d'aération peuvent être placés dans une zone à visibilité réduite et protégés par un matériau protecteur afin d'éviter que les rongeurs et les insectes ne pénètrent dans la structure. Ils permettront également de sécher l'humidité.

Remarque : Ces schémas ne sont fournis qu'à titre de référence.

- Une ventilation transverse doit être intégrée dans la structure porteuse. Nous recommandons un minimum de 100 pouces carrés (254 cm carrés) de ventilation par côté.
- Les aérations devraient être situées des deux côtés de la structure.
- Les schémas ci-dessus sont fournis à titre de référence uniquement.
- Les emplacements des aérations devraient être conçus à partir du centre, et s'éloigner vers l'extérieur.
- Positionnez les aérations en bas et en haut de la structure.
- Les aérations du bas devraient être aussi proches du niveau du sol que possible. Assurez-vous que la zone de ventilation n'est pas bloquée par les supports internes de la structure.
- Nous recommandons l'utilisation d'aérations pourvues de grilles.
- Les portes d'accès à la structure ne sont pas considérées comme des aérations.
- Nettoyez régulièrement les aérations.

⚠ DANGER

Le non respect des instructions minimales de ventilation recommandée peut provoquer une accumulation de gaz à l'intérieur de la structure en cas de fuite. Ceci pourrait entraîner un incendie ou une explosion susceptible de provoquer une blessure grave ou un décès ainsi que des dégâts matériels. ♦



⚠ ATTENTION: This product has been safety tested and is only certified for use in a specific country. Refer to country designation located on outer carton.

These parts may be gas carrying or gas burning components. Please contact Weber-Stephen Products LLC, Customer Service Department for genuine Weber-Stephen Products LLC replacement part(s) information.

⚠ WARNING: Do not attempt to make any repair to gas carrying, gas burning, igniter components or structural components without contacting Weber-Stephen Products LLC, Customer Service Department. Your actions, if you fail to follow this Product Warning, may cause a fire, an explosion, or structural failure resulting in serious personal injury or death as well as damage to property.

⚠ ATENCIÓN: A este producto se le han realizado pruebas de seguridad y ha sido certificado para usarse en un país específico. Refiérase al país indicado en la parte externa del cartón de empaque.

Estas partes pueden ser componentes que transporten gas o lo quemen. Por favor póngase en contacto con el Departamento de Atención al Cliente de Weber-Stephen Products LLC para obtener información sobre las partes de repuesto Weber-Stephen Products LLC genuinas.

⚠ ADVERTENCIA: No trate de realizar reparación alguna a los componentes que transporten o quemen gas sin antes ponerse en contacto con el Departamento de Atención al Cliente de Weber-Stephen Products LLC. Si no llegase a acatar esta advertencia, sus acciones podrían causar un fuego o una explosión que resulte en lesiones personales serias o la muerte o daños a la propiedad.

⚠ ATTENTION : Ce produit a fait l'objet de tests de sécurité et est certifié pour une utilisation dans un pays particulier uniquement. Vérifiez la désignation de pays située sur le carton d'emballage.

Ces pièces peuvent contenir du gaz ou être des éléments dont la combustion produit du gaz. Veuillez consulter le Service clientèle de Weber-Stephen Products LLC pour des renseignements sur les pièces de rechange originales de Weber-Stephen Products LLC.

⚠ MISE EN GARDE : Ne tentez pas d'effectuer des réparations sur des éléments contenant du gaz ou sur des éléments dont la combustion produit du gaz sans contacter le service clientèle de Weber-Stephen Products LLC. Si vous ne suivez pas la présente Mise en garde relative au produit, vos actions risquent de provoquer un incendie ou une explosion entraînant des blessures physiques graves voire un décès ainsi que des dégâts matériels.



WEBER-STEPHEN PRODUCTS LLC
www.weber.com®

© 2011 Designed and engineered by Weber-Stephen Products LLC,
a Delaware limited liability company, located at 200 East Daniels Road, Palatine, Illinois 60067 U.S.A.
Printed in U.S.A.

© 2011 Diseñado por Weber-Stephen Products LLC,
una empresa de responsabilidad limitada de Delaware, ubicada en 200 East Daniels Road, Palatine, Illinois 60067 EE.UU.
Impreso en los EE.UU.

© 2011 Elaboré et conçu par Weber-Stephen Products LLC,
société à responsabilité limitée du Delaware, implantée au 200 East Daniels Road, Palatine, Illinois 60067 U.S.A.
Imprimé aux U.S.A.