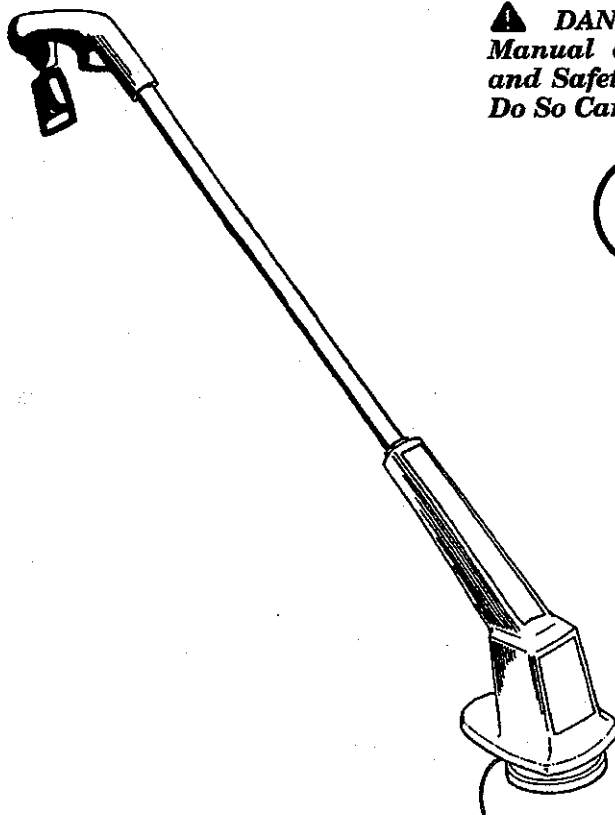


IMPORTANT MANUAL Do Not Throw Away

WEED EATER

TRADEMARK ®



▲ DANGER: Read the Operator's Manual and Follow All Warnings and Safety Instructions. Failure To Do So Can Result in Serious Injury.



OPERATOR'S MANUAL

MODELS:

1208/1209

ELECTRIC TRIMMERS

Always Wear Eye Protection

**CUSTOMER
ASSISTANCE**

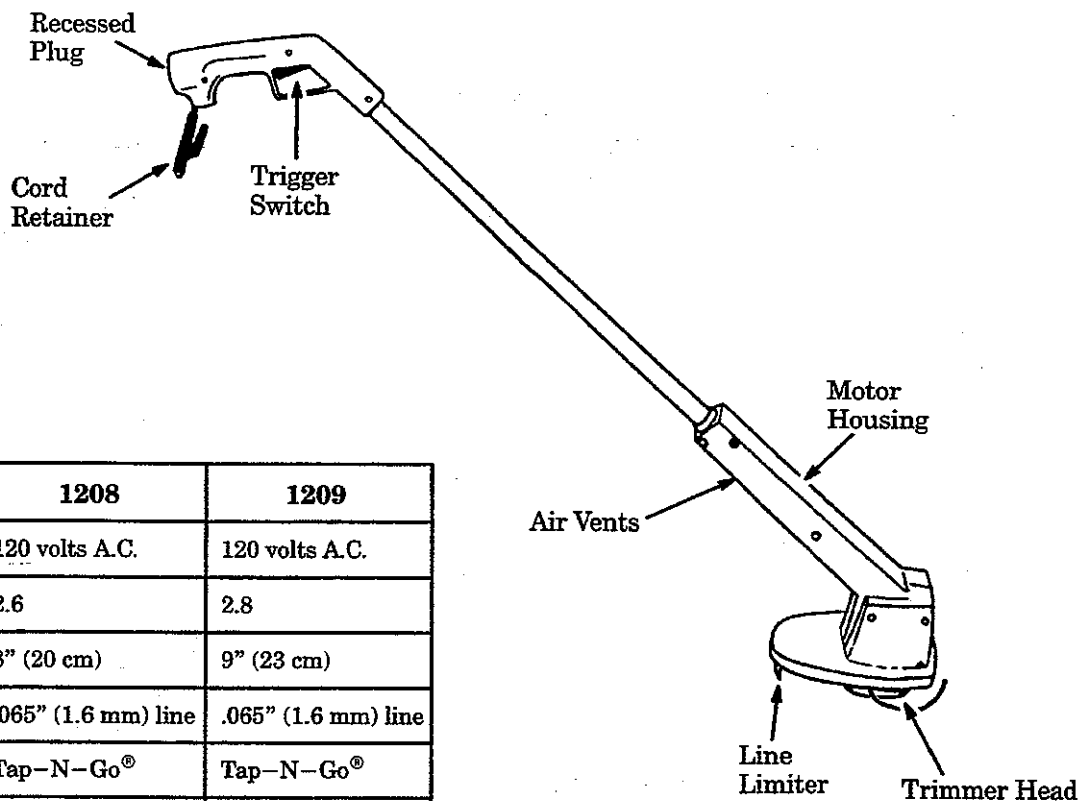
1-800-554-6723

SEE BACK COVER FOR DETAILS!

TABLE OF CONTENTS

WARNINGS AND SAFETY INSTRUCTIONS ... 3	GENERAL MAINTENANCE 11
KNOW YOUR UNIT 5	ACCESSORIES 11
ASSEMBLY 6	CUSTOMER ASSISTANCE SERVICE ... Back Cover
USING YOUR UNIT 8	

SPECIFICATIONS



MODEL:	1208	1209
VOLTAGE:	120 volts A.C.	120 volts A.C.
AMPS:	2.6	2.8
CUTTING PATH:	8" (20 cm)	9" (23 cm)
CUTTING LINE:	.065" (1.6 mm) line	.065" (1.6 mm) line
LINE FEED:	Tap-N-Go®	Tap-N-Go®
WEIGHT:	3.0 Lbs (1.36 kg)	3.0 Lbs (1.36 kg)

MANUFACTURED UNDER ONE OR MORE OF THE FOLLOWING U.S. PATENTS:
 4,035,912; 4,161,820; 4,167,812; 4,211,004; 4,362,074; 4,904,827.

▲ WARNINGS AND SAFETY INSTRUCTIONS

▲ WARNING: When using electric tools, basic safety precautions should always be followed to reduce the risk of fire, electric shock, and personal injury. Read all instructions (see additional safety instructions throughout this manual). Be thoroughly familiar with the controls and the proper use of this unit.

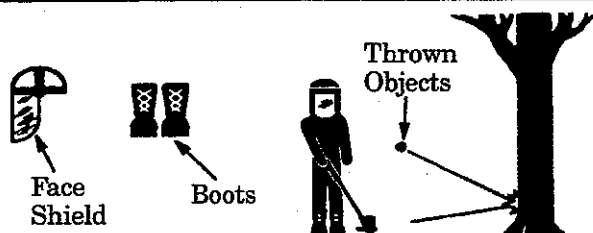
▲ DANGER – THIS POWER UNIT CAN BE DANGEROUS! This unit can cause serious injury or blindness to the operator and others. When using an electric trimmer, these basic safety precautions must be followed to reduce the risk of injury, fire, and electric shock. Failure to follow all instructions can result in blindness or other serious injury. The operator is responsible for following the warnings and instructions in this manual and on the unit. **Read the entire Operator's Manual before assembling and using this unit! Restrict the use of this unit to persons who read, understand, and follow the warnings and instructions in this manual and on the unit.**



▲ DANGER

NEVER USE BLADES OR FLAILING DEVICES WITH THIS UNIT.

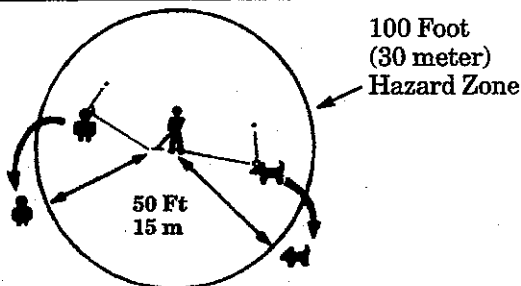
- THE BLADE CAN SERIOUSLY HURT YOU AND OTHERS.
- THIS UNIT IS DESIGNED FOR LINE TRIMMER USE ONLY



▲ WARNING

TRIMMER LINE CAN THROW OBJECTS VIOLENTLY.

- YOU CAN BE BLINDED OR INJURED.
- STAY CLEAR OF SPINNING LINE.
- WEAR EYE AND LEG PROTECTION.



▲ WARNING

HAZARD ZONE FOR THROWN OBJECTS

- TRIMMER LINE CAN THROW OBJECTS VIOLENTLY.
- OTHERS CAN BE BLINDED OR INJURED.
- KEEP PEOPLE AND ANIMALS 50 FEET (15 METERS) AWAY.



▲ WARNING

DO NOT ALLOW UNIT TO GET WET

- DO NOT EXPOSE TO RAIN, SNOW, OR WATER.
- INTERNAL SHORT HAZARD.



Operator's Manual



Safety Labels

▲ WARNING

READ OPERATOR'S MANUAL.

- FOLLOW ALL WARNINGS AND INSTRUCTIONS.
- FAILURE TO DO SO CAN RESULT IN SERIOUS INJURY.
- BE THOROUGHLY FAMILIAR WITH THE CONTROLS AND THE PROPER USE OF THIS UNIT.



LOOK FOR THIS SYMBOL TO POINT OUT IMPORTANT SAFETY PRECAUTIONS. IT MEANS "ATTENTION! BE ALERT! YOUR SAFETY IS INVOLVED."

WARNINGS AND SAFETY INSTRUCTIONS...(Continued)

▲ OPERATOR SAFETY

1. **DRESS PROPERLY**--Always wear safety glasses or similar eye protection when operating, servicing, or performing maintenance on your unit. Always wear a face mask or dust mask if operation is dusty. Always wear heavy, long pants, long sleeves, boots, and gloves. Do not go barefoot or wear sandals, short pants, short sleeves, jewelry, loose clothing, or clothing with loosely hanging straps, ties, tassels, etc.; they can be caught in moving parts. Secure hair so it is above shoulder length. Being fully covered will help protect you from pieces of toxic plants such as poison ivy thrown by the trimmer head which could be more of a hazard than touching the plant itself.
2. **STAY ALERT**--Do not operate this unit when you are tired, ill, or under the influence of alcohol, drugs, or medication. Watch what you are doing; use common sense.
3. **AVOID UNINTENTIONAL STARTING OF THE UNIT**--Never carry the unit with your finger on the switch. Be sure the switch is in the off position and your hands and fingers are away from the switch when connecting the extension cord.
4. Restrict the use of this unit to persons who read, understand, and follow the warnings and instructions in this manual and on the unit. Never allow children to use this unit.

▲ ELECTRICAL SAFETY

1. Use only the voltage supply shown on the name plate of the unit.
2. Avoid dangerous situations. Do not use in the presence of flammable liquids or gases to avoid creating a fire or explosion and/or causing damage to unit.
3. **WARNING--TO REDUCE THE RISK OF ELECTRICAL SHOCK**--Do not use in damp or wet locations or around swimming pools, hot tubs, etc. Do not expose to snow, rain, or water to avoid the possibility of electrical shock.
4. **WARNING--TO REDUCE THE RISK OF ELECTRICAL SHOCK**--The cord must be marked with the suffix "W-A" ("W" in Canada). Use a polarized cord. Make sure your extension cord is in good condition; if damaged, have it replaced. Use extension cords specifically marked as suitable for outdoor appliances having electrical rating not less than the rating of the unit. An undersized extension cord will cause a drop in line voltage resulting in loss of power and overheating. If in doubt, use the next heavier gauge. The smaller the gauge number, the heavier the cord. (NOTE: Figure 4 shows the correct size to be used depending on the cord length).
5. **DO NOT ATTEMPT TO REPAIR UNIT**--Inspect the insulation and connectors on the unit and extension cord before each use. If there is any damage, do not use until damage is repaired by your Authorized Service Dealer.
6. **DO NOT ABUSE THE CORD**. Never carry the unit by the extension cord or yank the extension cord to disconnect the unit.
7. To reduce the possibility of the extension cord disconnecting from the unit during operation, slip the extension cord behind the tab on the cord retainer as shown in Figure 5. Plug extension cord into the recessed plug on the handle of the unit. Figure 5.
8. Do not use the unit if the switch does not turn the unit on and off properly. Repairs to the switch must be made by your Authorized Service Dealer.
9. Keep the extension cord clear of operator and obstacles at all times. Do not expose cords to heat, oil, water, or sharp edges.

10. Avoid any body contact with any grounded conductor, such as metal pipes or wire fences, to avoid the possibility of electric shock.
11. Ground Fault Circuit Interrupter (GFCI) protection should be provided on the circuit or outlet to be used for this unit. Receptacles are available having built-in GFCI protection and may be used for this measure of safety.
12. To reduce the risk of electrical shock, this equipment has a polarized plug (one blade is wider than the other). This plug will fit into a polarized outlet of extension cord only one way. If the plug does not fit fully into the outlet, reverse the plug. If it still does not fit, contact a qualified electrician to install the proper outlet. Do not change the plug in any way.

▲ UNIT SAFETY

1. Inspect entire unit before each use. Have damaged parts repaired or replaced by an Authorized Service Dealer. Make sure all handles, guards, and fasteners are in place and securely fastened. A guard or other part that is damaged should be properly repaired or replaced by an Authorized Service Dealer.
2. Replace trimmer head parts that are cracked, chipped, broken, or damaged in any other way before using the unit.
3. Use only WEED EATER cutting line (see the Specifications Chart on page 2 for proper line size). Never use wire, rope, string etc.
4. Use only the specified trimmer head. Make sure the trimmer head is properly installed and securely fastened. Refer to "Assembly." Disconnect the unit from the power source before changing cutting line.
5. Use only genuine WEED EATER accessories as recommended for this unit.

▲ CUTTING SAFETY

1. Inspect the area to be cut before each use. Remove objects (rocks, broken glass, nails, wire, string, etc.) which can be thrown or become entangled in the trimmer head.
2. **KEEP CHILDREN AWAY**--Keep others including children, animals, bystanders and helpers outside the 100 foot (30 meter) Hazard Zone. Stop the unit immediately if you are approached.
3. Stop the unit and disconnect the power source when not in use.
4. **DO NOT OVERREACH OR STAND ON UNSTABLE SUPPORT**--Keep firm footing and balance. Do not overreach.
5. Keep the trimmer head below waist level.
6. Do not raise handles above your waist. The trimmer head can come dangerously close to your body.
7. Keep all parts of your body away from trimmer head when unit is running.
8. Use only in daylight or in good artificial light.
9. **USE UNIT PROPERLY** -- Use only for jobs explained in this manual. Do not force the unit; it will do the job better and with less likelihood of a risk of injury at the rate for which it was designed.

▲ MAINTENANCE SAFETY

1. Maintain unit according to recommended procedures. Keep the cutting line at the proper length.
2. Have all internal service and maintenance not explained in this manual performed by your Authorized Service Dealer to avoid creating a hazard and/or voiding your warranty.
3. **DISCONNECT UNIT FROM THE POWER SUPPLY** before performing maintenance.

WARNINGS AND SAFETY INSTRUCTIONS....(Cont.)

4. Never douse or squirt the unit with water or any other liquid. Clean unit and labels with a damp sponge. Keep handles dry, clean, and free of oil and grease. See "Maintenance -- Storage."
5. Keep the air vents clean and free of debris to avoid overheating the motor. Clean after each use. See "Specifications" for locations.
6. Use only genuine WEED EATER replacement parts as recommended.

▲ TRANSPORTING AND STORAGE

1. Hand carry the unit with the motor stopped.
2. Allow the unit to cool and secure the unit before storing or transporting in a vehicle.
3. Store the unit so the line limiter cannot accidentally cause injury.
4. STORE UNIT INDOORS--Store unit unplugged in a high, dry place out of the reach of children.

*If situations occur which are not covered in this manual, use care and good judgment.
If you need assistance, contact your Authorized Service Dealer or
call 1-800-554-6723.*

SAVE THESE INSTRUCTIONS

KNOW YOUR UNIT

A. INTRODUCTION

Your Trimmer is a versatile product developed for small lawns and to make short work of a variety of lawn care tasks -- trimming, scalping, mowing, and sweeping.

Special Features Include:

- Lightweight Construction
- Semi-Automatic Line Advance
- 8" (20 cm) Cutting Path (1208)
- 9" (23 cm) Cutting Path (1209)
- Convenient Cord Retainer

B. UNPACKING INSTRUCTIONS

1. After removing the contents from the carton, check parts against the Carton Contents list.

2. Examine the parts for damage. Do not use damaged parts.
3. *Notify your WEED EATER dealer immediately if a part is missing or damaged.*

C. CARTON CONTENTS

NO.	DESCRIPTION	QTY
•	Trimmer	1
•	Operator's Manual	1
Loose Parts Bag Contents:		
•	Screw	1
•	Locknut	1

D. DOUBLE INSULATION CONSTRUCTION

This unit is Double Insulated to help protect against electric shock. Double insulation construction consists of two separate "layers" of electrical insulation instead of grounding.

Tools and appliances built with a double insulation system are not intended to be grounded. No grounding means is provided on this unit, nor should a means of grounding be added to this unit. As a result, the extension cord used with your unit can be plugged into any standard 120 volt electrical outlet.

Safety precautions must be observed when operating any electrical tool. The double insulation system only provides added protection against injury resulting from an internal electrical insulation failure.

▲ WARNING

All electrical repairs to this unit, including housing, switch, motor, etc., must be diagnosed and repaired by qualified service personnel. Replacement parts for a double insulated appliance must be identical to the parts they replace. A double insulated appliance is marked with the words "DOUBLE INSULATION" or "DOUBLE INSULATED." The symbol (square within a square) may also be marked on the appliance. Failure to have the unit repaired by qualified service personnel can cause the double insulation construction to become ineffective and result in serious injury.

ASSEMBLY

If the unit is received assembled, repeat all steps in this section to be sure assembly is correct.

PREPARATION

This Operator's Manual is designed to help you assemble and safely operate the unit. It is important that you read the entire manual to become familiar with the unit *before* you begin assembly. If you have any questions or need further assistance, call our CUSTOMER ASSISTANCE HOTLINE at 1-800-554-6723.

TOOL NEEDED FOR ASSEMBLY: Phillips Screwdriver

A. TUBE ASSEMBLY

1. Remove and discard the shipping plug found in the end of the tube. Figure 1.
2. Slide the excess wire into the top of the motor housing. Figure 2.
3. Align the arrow on the tube (decal) with the front of the motor housing. Figure 2 (inset). Slide the tube into the motor housing until the tip of the arrow reaches the top of the motor housing. Figure 2.

NOTE: When performing step 4., be sure to install the screw in the round recess and the hex nut in the hex recess.

4. Install the screw and nut. Figure 3. Tighten securely.

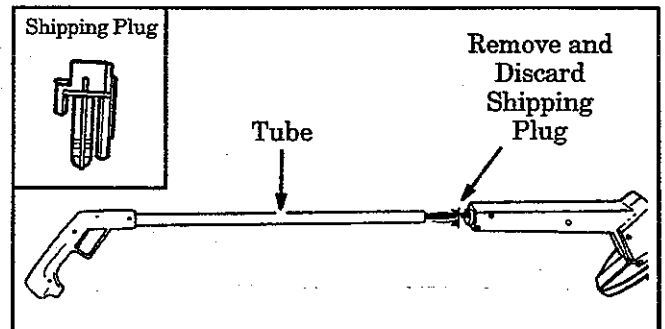


Figure 1

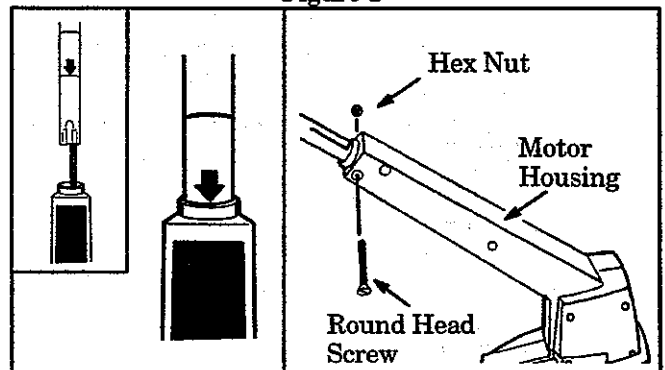


Figure 2

Figure 3

B. PRE-OPERATION CHECKS

▲ WARNING
Review all Warnings and Safety Instructions in this manual.

- Before operating your tool, always:
 1. Inspect the entire tool before each use. Replace damaged parts. Make sure all fasteners are in place and securely fastened.
 2. Replace trimmer head parts that are cracked, chipped, broken, or damaged in any other way before using the tool.
 3. Use only .065" diameter line. Never use wire, rope, string, etc.
 4. Use only the specified trimmer head. See "Specifications." Make sure the trimmer head is properly installed and securely fastened. Refer to "Using Your Unit."
 5. Use only genuine WEED EATER accessories or attachments recommended for this tool.

NOTES

C. EXTENSION CORD ATTACHMENT

1. Use only a 120 A.C. voltage supply as shown on the nameplate of the unit.
2. The extension cord used to reach the power source must be:
 - a. Polarized and specifically marked as suitable for outdoor use. The cord must be marked with the suffix "W-A." ("W" in Canada).
 - b. Heavy enough to carry the current from the power source the full length of the extension cord to the unit. Otherwise, loss of power and overheating can occur causing damage to the unit. Refer to Figure 4 for minimum wire gauge recommendations. The cord must be marked with the proper wire gauge. (Appropriate extension cords are available.)
 - c. In good condition. Cord insulation must be intact with no cracks or deterioration. Plug connectors must be undamaged.
3. Secure extension cord to the Cord Retainer as shown in Figure 5.
4. Insert the cord socket into the recessed plug on the unit. Figure 5.

To reduce the risk of electric shock, this unit has a polarized plug (one blade is wider than the other). This plug will fit into a polarized extension cord only one way. If the plug does not fit fully into the extension cord, reverse the cord. If it still does not fit, make sure you have a po-

larized extension cord. If the extension cord does not fit into the outlet, reverse the cord. If it still does not fit into the outlet, contact a qualified electrician to install the proper outlet. Do not change the plug or socket of the unit or extension cord in any way.

MINIMUM WIRE GAUGE RECOMMENDATIONS			
VOLTS	25 FT.	50 FT.	100 FT.
120	18 A.W.G.*	16 A.W.G.*	16 A.W.G.*

*American Wire Gauge

Figure 4

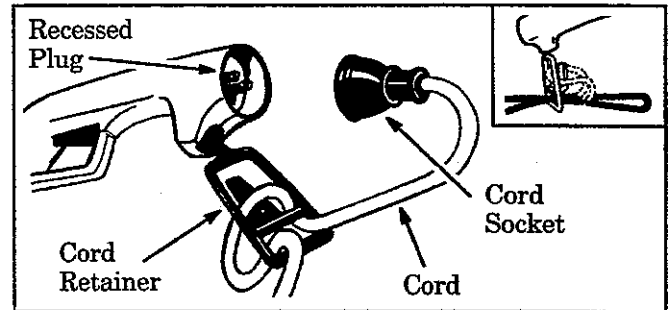


Figure 5

D. OPERATING POSITION

1. Before operating the unit, stand as shown in Figure 6 and check for the following:
 - a. Operator wearing eye, leg, and foot protection.
 - b. Right arm slightly bent, hand holding handle.
 - c. Unit below waist level.
 - d. Without operator bending over, the Trimmer Head is near and parallel to the ground and easily contacts the material to be cut.

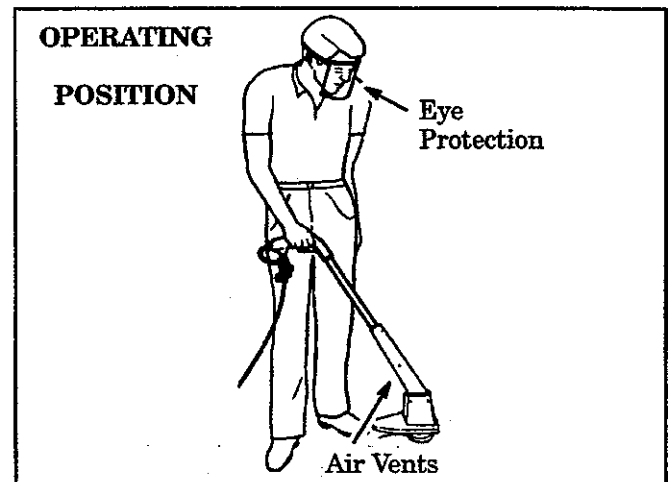
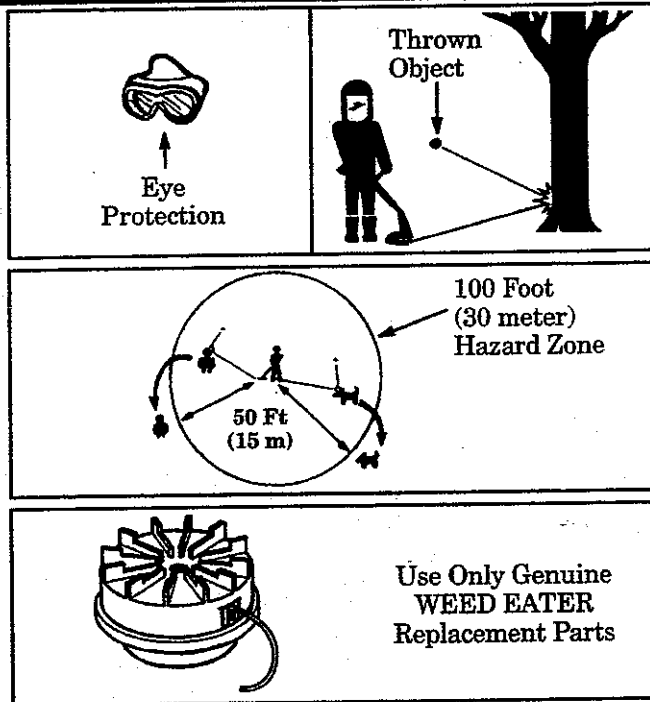


Figure 6

NOTES

USING YOUR UNIT



⚠ WARNING—THROWS OBJECTS
The rapidly moving line causes objects to be thrown violently. The shield will not provide complete protection to the operator or others. The operator must wear a safety face shield or goggles. Always wear heavy, long pants and boots. Keep others at least 50 feet (15 meters) away.

⚠ WARNING – HAZARD ZONE
This unit will throw objects and cut. Keep others including children, animals, bystanders, and helpers at least 50 feet (15 meters) away from the operator and unit. Stop the unit if you are approached.

⚠ WARNING – DAMAGED TRIMMER HEAD
Trimmer head parts that are chipped, cracked, broken, or damaged in any other way can fly apart and cause serious injury. Do not use. Replace damaged parts before using the unit.

A. LINE TRIMMER SAFETY

1. OPERATOR SAFETY

- Always wear a face safety shield or goggles. See "Accessories."
- Always wear heavy, long pants, boots, and gloves. See "Accessories." Do not wear loose clothing, jewelry, short pants, sandals or go barefoot. Secure hair so it is above shoulder length. Being fully covered will help protect you from pieces of toxic plants such as poison ivy thrown by the trimmer head which could be more of a hazard than touching the plant itself.
- Do not operate this unit when you are tired, ill, or under the influence of alcohol, drugs, or medication.

2. UNIT SAFETY

- Inspect the entire unit before each use. Replace damaged parts. Make sure all fasteners are in place and securely fastened.
- Use only .065" diameter line. Never use wire, rope, string, etc.

- Make sure the trimmer head is properly installed and securely fastened. Refer to the "Using Your Unit" section.

- Use only genuine WEED EATER accessories or attachments as recommended.

3. CUTTING SAFETY

- Inspect the area to be cut before each use. Remove objects (rocks, broken glass, nails, wire, string, etc.) which can be thrown or become entangled in the trimmer head.
- Hold the unit firmly.
- Keep firm footing and balance. Do not over-reach.
- Keep the trimmer head below waist level.
- Do not raise the unit above your waist. The trimmer head can come dangerously close to your body.
- Keep all parts of your body away from the trimmer line when the unit is running.
- Use only for jobs explained in this manual.

B. OPERATING INSTRUCTIONS

- Allow the unit to reach full speed before entering the material to be cut.

- Always release the Trigger switch and allow the unit to stop when not cutting.

C. TRIMMER LINE ADVANCE

- Your trimmer is equipped with a semi-automatic trimmer head. Whenever the tap button is pressed, the head automatically advances a predetermined amount of line.
- The line limiter will cut the line to the correct length. The most efficient line length is maximum length allowed by line limiter.

CAUTION: Do not bump trimmer head on an abrasive surface such as concrete, asphalt, or gravel to advance the line. Bumping the trimmer head on an abrasive surface can cause injury or excessive wear or damage to the unit.

NOTE: If the line limiter requires maintenance or replacement, service should be performed by qualified service personnel only.

▲ WARNING

Use only .065" diameter line. Other sizes of line will not advance properly. Do not use other materials such as wire, string, rope, etc. Wire can break off during cutting and become a dangerous missile that can cause serious injury.

- To Advance the Line, the trimmer head must be turning.
 1. Hold the trimmer head parallel to and above a grassy area of ground.
 2. Tap the trimmer head lightly on the ground one time. Approximately 1 1/2 to 3 inches of line will be advanced after each tap. Figure 7.

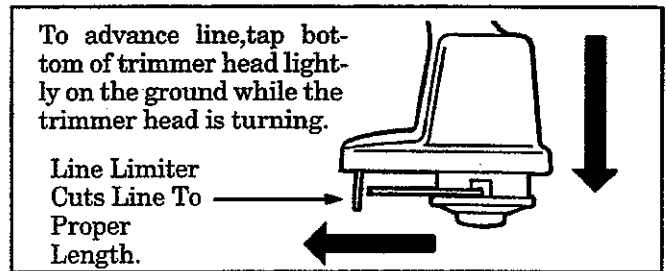


Figure 7

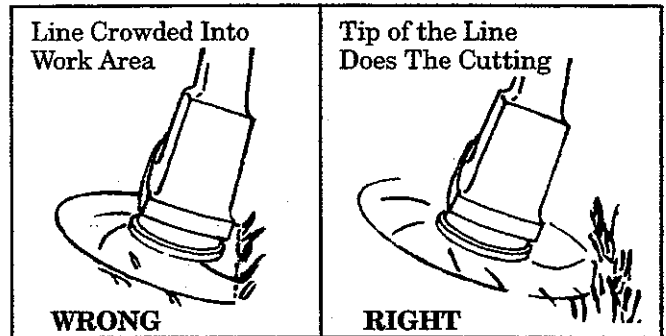


Figure 8

D. CUTTING METHODS

▲ WARNING

Do not crowd line when cutting around hard objects (rocks, gravel, fence posts, etc), which can damage the trimmer head, become entangled in the line, or be thrown causing a serious hazard.

- The tip of the line does the cutting. You will achieve the best performance and minimum line wear by not crowding line into the cutting area. The right and wrong ways are shown in Figure 8.
- The line will easily remove grass and weeds from around walls, fences, trees, and flower beds, but it also can cut the tender bark of trees or shrubs and scar fences.

▲ WARNING

Always wear eye protection. Never lean over the trimmer head. Rocks or debris can ricochet or be thrown into eyes and face and cause blindness or other serious injury.

1. **TRIMMING** - Figure 9. Hold the bottom of the trimmer head about 3 inches above the ground and at an angle. Allow only the tip of the line to make contact. Do not force the trimmer line into the work area.
2. **SCALPING** - Figure 9. The scalping technique removes unwanted vegetation. Hold bottom of the trimmer head about 3 inches above the ground and at an angle. Allow the tip of the line to strike the ground around trees, posts, monuments, etc. *This technique increases line wear.*
3. **MOWING** - Figure 10. Your trimmer is ideal for mowing in places conventional lawn mowers cannot reach. In the mowing position, keep the line parallel to the ground. Avoid pressing the head into the ground as this can scalp the ground and damage the unit.
4. **SWEEPING** - Figure 10. The fanning action of the rotating line can be used for a quick and easy clean up. Keep the line parallel to and above the surfaces being swept and move the unit from side to side.

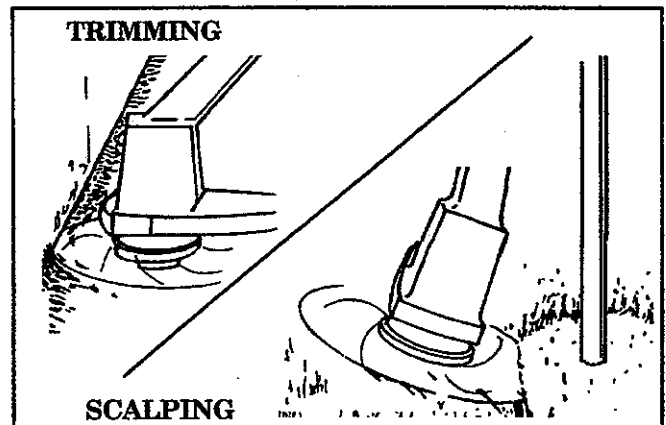


Figure 9

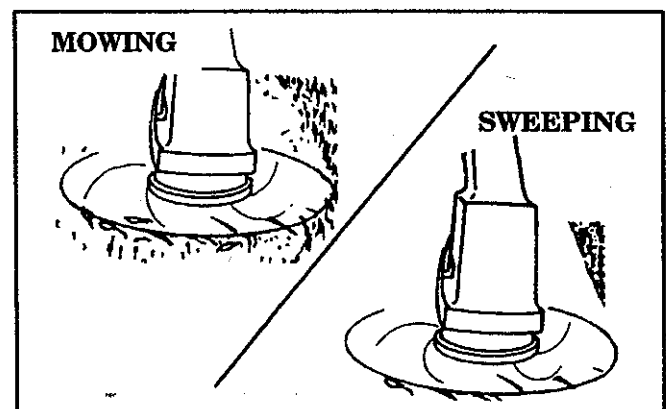


Figure 10

E. LINE REPLACEMENT

- For proper line feed:
 - Use only genuine pre-wound spools and .065" diameter line. Use of other types of spools or lines can result in excessive breakage, line welding, and improper line feed.
 - Pre-wound spools offer the most convenient method for replacing line as well as optimum performance. Be sure to always replace the spool if the square corners of the drive lugs are rounded off, reduced in size, or broken off.
- Always clean dirt and debris from spool and hub when performing any type of maintenance.

▲ WARNING

Trimmer head parts that are chipped, cracked, broken, or damaged in any other way can fly apart and cause serious injury. Do not use. Have damaged parts replaced before using the unit.

1. Installing Spool w/Line

- a. Stop the unit and unplug the power cord.
- b. Hold the unit as shown in Figure 11. Press the lock tab and turn the lock ring counterclockwise. Figure 11.
- c. Remove the lock ring, tap button, and spool. Figure 12.
- d. Clean dirt and debris from all parts. Inspect all trimmer head parts for damage. Replace damaged parts or have them replaced by qualified service personnel.
- e. Use a new WEED EATER prewound spool, or rewind the old spool with WEED EATER .065" diameter line. See "ACCESSORIES" section.
- f. Insert 3 to 4 inches of the end of the line (on the spool) through line saver in hub. Figure 13.
- g. Set the spool into the hub. Press the spool down; turn and lock the spool lugs under the drive gear. Figures 12 & 13.
- h. Reinstall the tap button and lock ring. Turn the lock ring clockwise and fasten the lock tabs in all four catches on the hub. Figure 14.

NOTE: Check to be sure the lock ring is properly installed by attempting to turn the ring counterclockwise and pulling on it. Make sure the catches and lock tab appear from the bottom of the head as shown in Figure 14 (insets). Be sure the lock tab hits the edge of the cut-out when you turn the lock ring counterclockwise.

- i. Properly reinstall if the lock ring comes off or if the lock tab or catches do not look like those shown in Figure 14.

▲ WARNING

All four catches must be fastened and the lock tab latched onto the lock ring. If installed incorrectly, the lock ring can fly off and become a dangerous missile.

- j. Pull the line to change the spool from the locked position to the operating position. Figure 14. Obtain correct line length by pressing tap button and pulling on nylon line again. If line extends one inch or more beyond the line limiter, cut line near the line limiter. Excessive line can cause premature damage to the shield.

NOTE: Approximately 1 1/2 to 3 inches of line can be advanced each time the tap button is pressed. Figure 7.

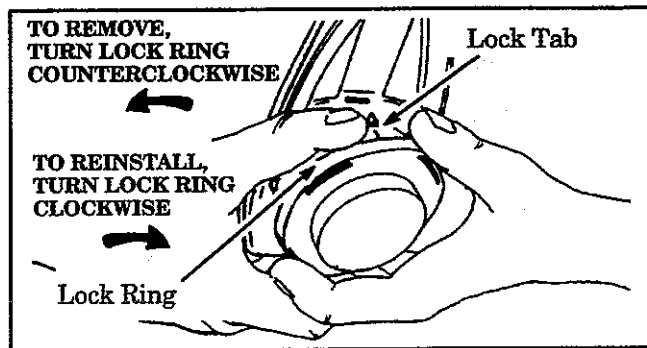


Figure 11

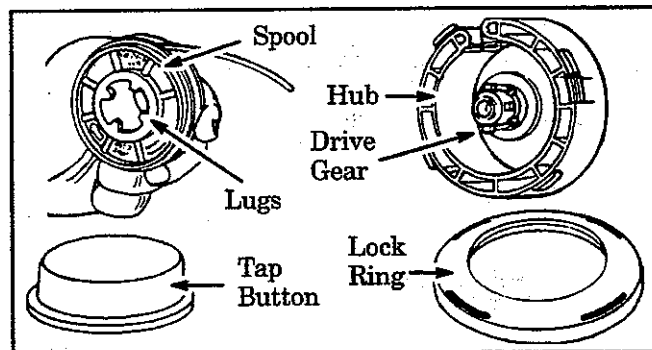


Figure 12

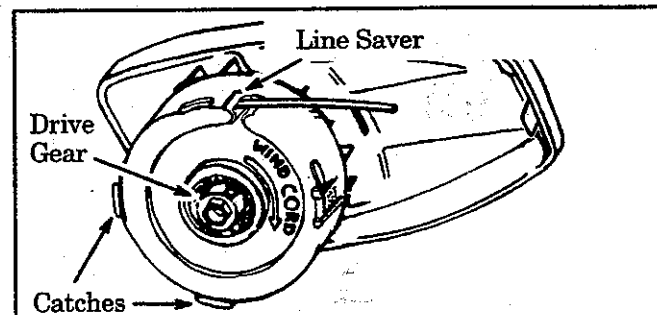


Figure 13

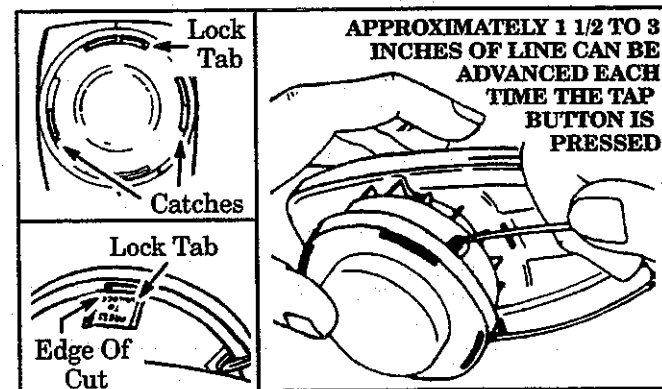


Figure 14

2. Installing Line On Spool

NOTE: Use .065" diameter line only.

- To replace the trimmer line on an existing spool, do the following:

a. Follow "Installing Spool w/Line," steps "a.-c.," and remove any line remaining on the spool.

NOTE: Do not wrap more than 30 feet of .065" diameter line onto the spool.

- b. Hold spool as shown in Figure 15 .
- c. Insert 1/16 to 1/8 inch of line through the hole in the inner rim of the spool. Figure 15 . Allow no more than 1/8 inch of line to extend beyond the inner rim of the spool to avoid interference with the drive gear.
- d. Wrap line evenly and firmly in the direction indicated by the arrow on the spool. Figure 15 . To ensure proper line advance, avoid crossover or crisscrossing the line.

e. Follow instructions in "Installing Spool w/Line," steps "f.-j."

- If the trimmer line breaks off or backs up in the trimmer head, follow "Installing Spool w/Line," steps "a.-c." Pull slack in the line until it is tightly wound on the spool, leaving 4-6 inches of line extended. Continue with "Installing Spool w/Line," steps "f.-j."

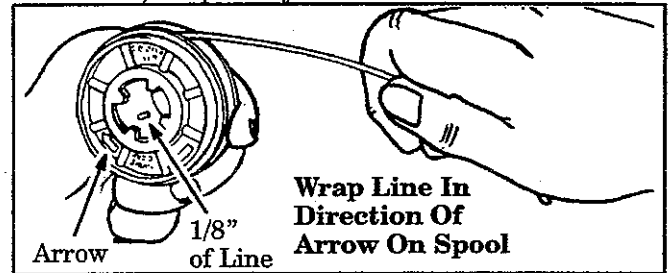


Figure 15

GENERAL MAINTENANCE

A. MAINTENANCE SAFETY

1. Maintain the tool according to recommended procedures. Keep the cutting line at the proper length.
2. Disconnect power source before performing maintenance.
3. Keep the unit clean. Use a sponge dampened with a solution of mild soap and water. Do not use solvents or petroleum based cleaner of any kind.
4. Keep air vents free of debris at all times.

5. Replace trimmer head parts that are cracked, chipped, broken, or damaged in any other way before using the tool.
6. Use only .065" diameter line. Never use wire, rope, string, etc.
7. Use only genuine WEED EATER replacement parts as recommended.
8. Inspect the entire tool. Replace damaged parts. Make sure all fasteners are in place and securely fastened.

B. TROUBLE SHOOTING CHART

SYMPTOM	CAUSE	REMEDY
Trimmer head stops under a load or does not turn when switch is pressed.	a. Crowding trimmer line against material being cut. b. Electrical failure. c. None of the above.	a. Back trimmer head away from grass being cut; allow tip of line to do the cutting. b. Contact your Authorized Service Dealer c. Contact your Authorized Service Dealer
Line does not advance or breaks while cutting.	a. Line improperly routed in head. b. Line improperly wound onto spool. c. Line size incorrect. d. Too little line outside head. e. Dirt accumulated on cover.	a. Remove cover. Check line routing. b. Rewind line tightly and evenly. c. Use only .065" diameter line. d. Remove cover. Pull 4" of line to outside. e. Clean cover.
Line welds onto spool.	a. Line size incorrect. b. Incorrect spool. c. Crowding line against material being cut.	a. Use only .065" diameter line. b. Use proper spool. c. Cut with tip of line.
Line releases continuously.	a. Line improperly routed in head. b. Line size incorrect.	a. Remove cover. Check line routing. b. Use only .065" diameter line.
Line usage is excessive.	a. Line improperly routed in head. b. Line size incorrect. c. Crowding line against material being cut.	a. Remove cover. Check line routing. b. Use only .065" diameter line. c. Cut with tip of line.
Line pulls back into head.	a. Too little line outside of head. b. Line size incorrect.	a. Remove cover. Pull 4" of line to outside. b. Use only .065" diameter line.

ACCESSORIES

ITEM	STOCK NO.
SAFETY GOGGLES	952-701645
SPOOL W/LINE -- .065" DIA.	952-701521
CUTTING LINE-- .065" DIA	
100 ft.	952-701533
200 ft.	952-701594

? CUSTOMER ASSISTANCE
1-800-554-6723

One of the most important priorities at POULAN/WEED EATER is customer satisfaction, especially *after* the sale. Your product has been expertly engineered and carefully manufactured to rigid quality standards to provide you with optimum performance and maximum operational lifetime. As with all mechanical products, however, making adjustments or replacing parts may be necessary during the life of your unit.

Because customer satisfaction is a major priority, POULAN/WEED EATER has established a special, toll free Customer Assistance Service to assist you with any after-the-sale needs. Whether you need a replacement part, an accessory, the name of your nearest sales or service dealer, or just need help in assembling your unit, our customer service representatives will be available to answer your questions.

When calling our Customer Assistance Service, please be prepared to give the description of the unit, the model number, serial number, and, if ordering parts, the part number or description of each part. Call 1-800-554-6723. Our representatives will be glad to help.

FOR SERVICE OR REPLACEMENT PARTS:

1. Consult your dealer/place of purchase.
2. Consult the yellow pages of your phone directory for the name of the nearest POULAN/WEED EATER Master Service Dealer (under "saws" for Chain Saws or under "lawnmowers" for Trimmers, Brushcutters, and Blowers).

NOTE: POULAN/WEED EATER Division provides parts and service through its authorized distributors and dealers; therefore, all requests for parts and service should be directed to your local dealer(s). The philosophy of POULAN/WEED EATER Division is to continually improve all of its products. If the operating characteristics or the appearance of your product differs from those described in this Operator's Manual, please contact your local POULAN/WEED EATER Dealer for updated information and assistance.

? NECESITA ASISTENCIA AL CLIENTE
1-800-554-6723

Una de las prioridades más importantes en POULAN/WEED EATER es la satisfacción al cliente, especialmente *después* de la venta. El producto ha sido diseñado y fabricado con esmero bajo estrictas normas de calidad para ofrecerle resultados óptimos y máxima vida operacional. No obstante, al igual que con todos los productos mecánicos, es posible que sea necesario efectuar ajustes o reemplazar piezas durante la vida de la unidad.

Debido a que la satisfacción de los clientes es una de nuestras prioridades principales, POULAN/WEED EATER tiene un número telefónico especial, sin costo, para Asistencia al Cliente con objeto de ayudarle a Ud. con cualquier necesidad después de haber comprado el equipo. Tanto si necesita una pieza de repuesto, un accesorio, el nombre de su concesionario de ventas o de servicio más cercanos, o si simplemente necesita asistencia para ensamblar la unidad, nuestros representantes de asistencia al cliente están disponibles para contestar sus preguntas.

Cuando llame a nuestro servicio de asistencia al cliente, tenga a mano la descripción de la unidad, el número de modelo, el número de serie y, si desea ordenar piezas, el número de pieza o su descripción. Llame al 1-800-554-6723. Nuestros representantes lo atenderán con mucho gusto.

PARA SERVICIO O PIEZAS DE REPUESTO:

1. Consulte a su concesionario o lugar de compra del equipo.
2. Consulte las páginas amarillas de su directorio telefónico para encontrar el Concesionario Principal de Servicio POULAN/WEED EATER más cercano (bajo "sierras" para sierras de cadena o bajo "cortadoras de césped" para cortadoras de bordes, cortadoras de malezas y abanicos).

NOTA: La División POULAN/WEED EATER suministra piezas de repuesto a través de sus distribuidores y concesionarios autorizados; por lo tanto, todas las solicitudes de piezas o servicio deben dirigirse a su concesionario local. La filosofía de la División POULAN/WEED EATER es mejorar continuamente todos sus productos. Si las características de operación o la apariencia de su producto difiere de los descritos en este Manual del Operador, por favor consulte a su concesionario POULAN/WEED EATER local para obtener la información más reciente disponible y asistencia.

? AIDE AUX CONSOMMATEURS
1-800-554-6723

L'une des principales priorités de POULAN/WEED EATER est la satisfaction de ses clients, tout spécialement *après* la vente. Votre appareil a fait l'objet d'une conception d'experts et d'une soigneuse fabrication selon des normes de qualité très strictes pour vous assurer d'une performance optimum et de la durée d'utilisation maximum. Comme pour tous les appareils mécaniques, certains réglages ou remplacements de pièces peuvent toutefois être requis durant la vie de votre appareil.

Puisque la satisfaction de ses clients est l'un des objectifs les plus importants de POULAN/WEED EATER, cette dernière a une ligne spéciale sans frais d'aide aux consommateurs pour satisfaire tous vos besoins d'après-vente. Que vous ayez besoin d'une pièce de rechange, d'un accessoire, du nom du concessionnaire ou du centre de service le plus proche ou que vous ayez besoin d'aide dans l'assemblage de votre appareil, nos représentants du service à la clientèle se feront un plaisir de répondre à vos questions.

Quand vous appelez notre service d'aide aux consommateurs, soyez prêt à donner la description de l'appareil, le numéro de modèle, le numéro de série et, si vous commandez des pièces, le numéro de chaque pièce ou sa description. Appelez au 1-800-554-6723 et nos représentants se feront un plaisir de vous aider.

POUR RÉPARATIONS OU PIÈCES DE RECHANGE:

1. Adressez-vous à votre concessionnaire/à l'endroit où vous avez acheté l'appareil.
2. Consultez les pages jaunes de votre annuaire pour y trouver le nom du Centre de service principal POULAN/WEED EATER le plus proche (sous la rubrique "Scies" pour les scies à chaîne ou "Tondeuses" pour les coupe-bordures, les coupe-broussailles et les souffleuses).

REMARQUE: La Division POULAN/WEED EATER fournit des pièces et des réparations par l'intermédiaire de ses distributeurs et concessionnaires autorisés et toutes demandes de pièces et de réparations devraient donc être adressées à votre concessionnaire local. La philosophie de POULAN/WEED EATER est de toujours améliorer tous ses articles. Si les caractéristiques de fonctionnement ou l'apparence de votre appareil diffèrent de celles décrites dans ce manuel de l'utilisateur, veuillez vous adresser à votre concessionnaire POULAN/WEED EATER local pour obtenir des renseignements à jour et de l'aide. Les pièces et réparations ne sont pas fournies directement par la Division POULAN/WEED EATER de WCI Outdoor Products Inc.

POULAN/WEED EATER
DIVISION OF WCI OUTDOOR PRODUCTS, INC.
Shreveport, Louisiana 71129 U.S.A.

530-083568-1-01/04/95