

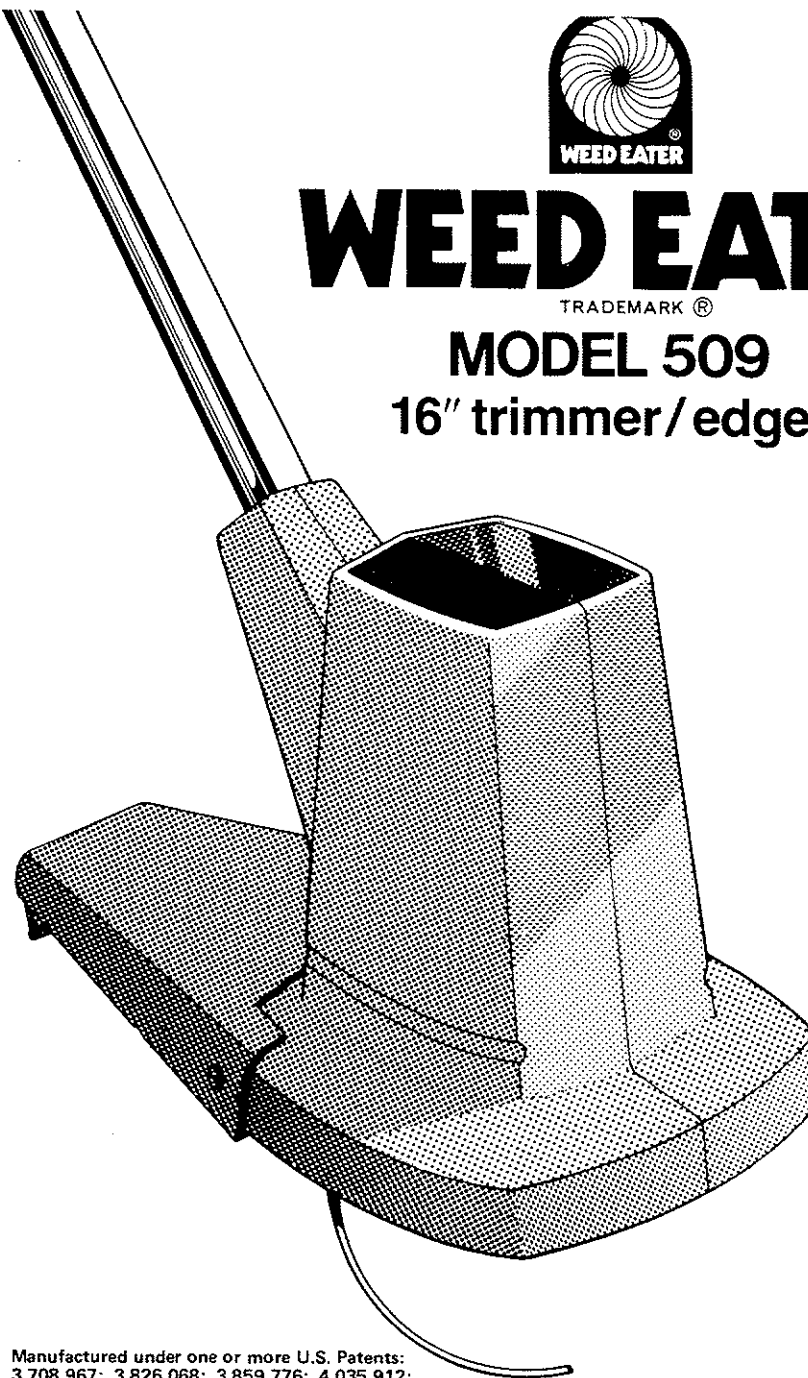


WEED EATER

TRADEMARK ®

MODEL 509

16" trimmer/edger



Manufactured under one or more U.S. Patents:
3,708,967; 3,826,068; 3,859,776; 4,035,912;
4,052,789; 4,054,992; 4,067,108.
Other U.S. and foreign patents pending.

Owner's Manual

This Product is Listed by
UNDERWRITERS LABORATORIES INC.
and Bears the Mark:



SAFETY PRECAUTIONS

1. USE ONLY THOSE ACCESSORIES AND ATTACHMENTS THAT COME PACKED WITH THE UNIT. The use of any other accessory or attachment may create a potential hazard.
2. REPAIR OR REPLACE a damaged electrical cord immediately.
3. AVOID DANGEROUS ENVIRONMENTS. Do not use the unit in damp or wet locations. Do not use in the rain.
4. DRESS PROPERLY. Do not wear loose clothing or jewelry that could be caught in the moving parts of the unit. Wear safety goggles, and shoes.
5. KEEP CHILDREN AWAY. Onlookers should be kept a safe distance from the work area, at least 30 feet.
6. DO NOT USE THIS UNIT FOR ANY JOBS OTHER THAN THOSE FOR WHICH IT IS INTENDED.
7. WARNING. To prevent shock hazard, use only an extension cord suitable for outdoor use. When selecting an extension cord, it is recommended that a minimum No. 16-gauge wire be used up to 100 feet and a No. 14-gauge wire be used for distances greater than 100 feet.
8. TO PREVENT DISCONNECTION OF THE UNIT'S POWER CORD from the extension cord during operation, join the two together as shown in the operating instructions.
9. DO NOT ABUSE THE ELECTRICAL CORD. Never carry the unit by the cord or yank the cord when disconnecting it from the receptacle. Keep cord away from heat, oil and sharp edges.
10. USE CARE IN PICKING UP OR HOLDING THE UNIT. Do not grasp the line cutoff blade located at the rear of the underneath side of the motor housing.
11. INSPECT THE AREA TO BE CUT AND REMOVE ALL DEBRIS that could become entangled in the cutting head. Also remove any objects that the unit may sling during cutting.
12. DISCONNECT THE UNIT FROM THE POWER SUPPLY WHEN NOT IN USE, before servicing or when changing accessories, such as the spool.
13. WHEN NOT IN USE, STORE THE UNIT IN A HIGH, DRY OR LOCKED PLACE AND OUT OF REACH OF CHILDREN.
14. KEEP HANDS AND FEET CLEAR of the rotating head while unit is in use.
15. NEVER SUBMERGE IN WATER or douse unit to clean it. CAUTION: Never use wire in place of the monofilament cutting line.

ASSEMBLY

1. Insert wiring harness through the assist handle (figure 1) and slide it onto the upper handle tube. Insert bolt in assist handle and tighten with wing nut.
2. Push the upper tube into the lower tube. Figure 2.
3. Align tube holes, insert screws, and tighten. Figure 3.
4. Place the line limiter on the rear edge of the motor housing. Insert the two screws from the outside and tighten. Figure 4.

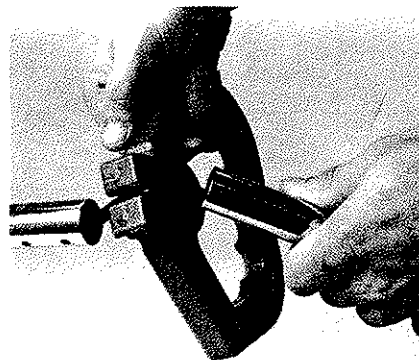


FIGURE 1

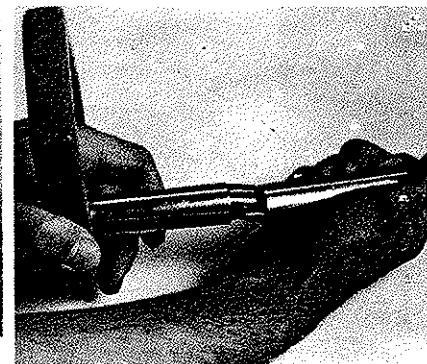


FIGURE 2

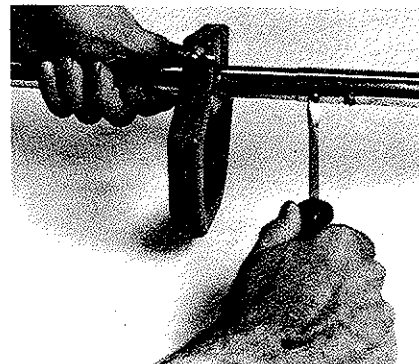


FIGURE 3

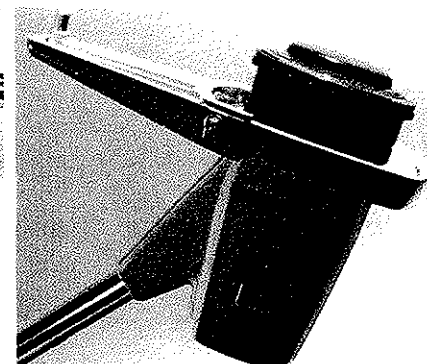


FIGURE 4

OPERATION

1. The power cord pigtail may be secured to your extension cord by tying the two together. Figures 5 and 6.
2. Hold the unit in an upright and comfortable position and depress the trigger switch.
3. To extend additional line, tap the center of the cutting head lightly on the ground while the unit is running. Figure 7. The line will automatically lengthen approximately 2 1/2". Excess line will be clipped off by the blade at the rear of the line limiter. Figure 8.

CAUTION: DO NOT DEPRESS THE CUTTING HEAD RELEASE BUTTON UNLESS THE UNIT IS RUNNING

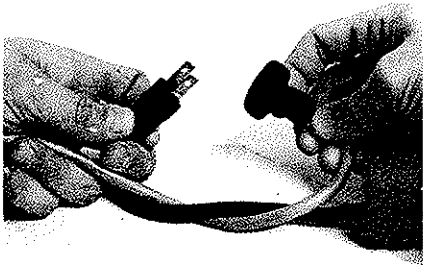


FIGURE 5



FIGURE 6

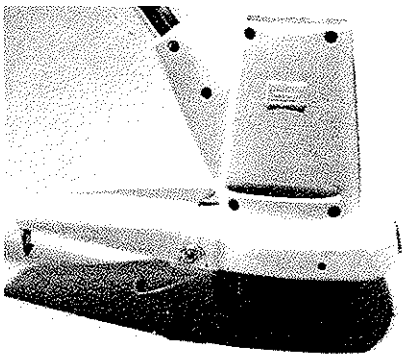


FIGURE 7

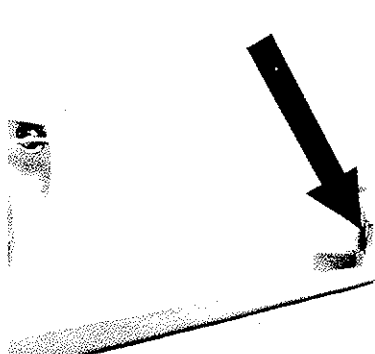


FIGURE 8

4. **TRIMMING:** Always cut to the left side of the unit, using a 30 - degree tilt. Figure 9. Cutting to the left will cause clippings to be thrown forward away from you.
5. **MOWING:** This model is ideal for use in areas conventional lawn mowers can not reach. In this position the cutting line is parallel to the ground. With practice this technique will produce as neat a job as a lawn mower. Figure 10.
6. **EDGING:** Loosen the wing nut on the assist handle and reverse the handle to the back side of the unit. The correct position for edging is shown in figure 11.
7. **SCALPING:** A variation of the trimming technique used to remove all vegetation from around meters, poles, trees, etc. Figure 12.
8. **SWEEPING:** For a fast clean up you can use your unit to sweep clippings from walks and driveways. Move the unit in a sweeping motion, parallel to the pavement, blowing debris ahead of you.

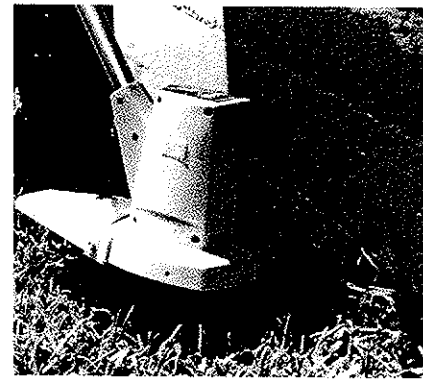


FIGURE 9

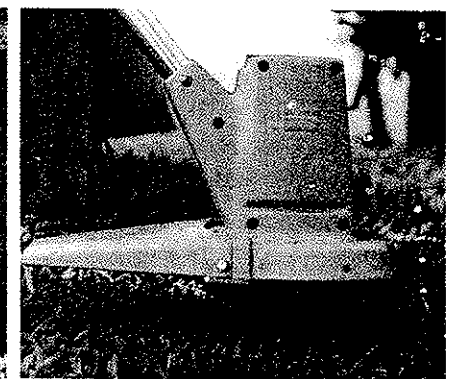


FIGURE 10



FIGURE 11

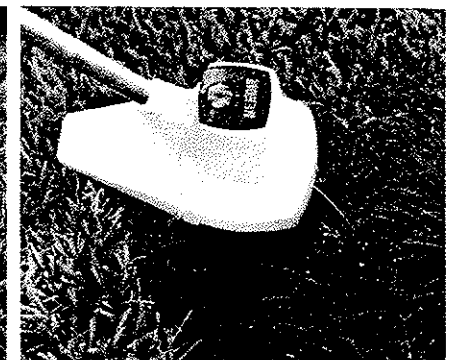


FIGURE 12

9. Always remember; The tip of the line does the cutting. You will achieve better results and reduce excessive line wear by not crowding the head into the cutting area.

CUTTING HEAD

Remove the spool periodically to clean debris from the cutting head. When it becomes necessary to rewind or replace the spool, the following procedure should be used:

1. Hold the cutting head securely with one hand. With the other hand, turn the cover counterclockwise, approximately 1/8 turn and lift. Figure 13.
2. Lift off the release button.
3. The spool will simply lift out of the hub. Figure 14.
4. To rewind the spool, insert the end of the line in the hole located within the spool, and wind in a clockwise direction as indicated by the arrow on the spool. Figure 15.

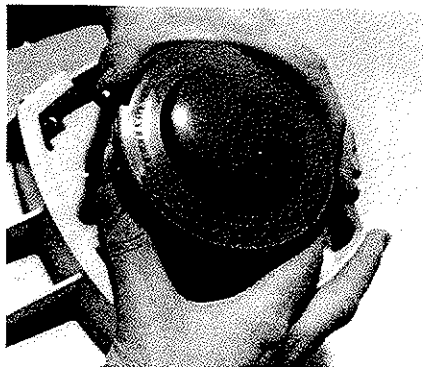


FIGURE 13



FIGURE 14



FIGURE 15

IMPORTANT: The spool must be wound evenly in layers with light uniform tension to insure trouble free line advancement.

5. Always check to see that the metal line saver is in place before replacing the spool.

MAINTENANCE

Your WEED EATER trimmer has been designed to give dependable service with a minimum of maintenance.

1. This unit is equipped with permanently lubricated bearings and therefore never needs oiling.
2. Before operating always check the unit for possible damage.
3. Keep the air vents free of clippings which may restrict proper cooling.
4. Grass stains may be removed with a mild detergent solution and sponge. **CAUTION:** Never use petroleum base cleaner or solvent. Never submerge or douse with water or other liquid.

PARTS AND SERVICE

Parts, information and repairs may be obtained from your nearest service dealer. Consult the Yellow Pages under "Lawn Mowers" or dial TOLL FREE 800-447-4700, in Illinois 800-322-4400.

The WEED EATER TAP-N-GO cutting head is illustrated in figure 16 with part numbers and descriptions in alphabetical order of assembly.

- | | | |
|----|---------|---|
| A. | 8580-01 | Hub |
| B. | 8968-00 | Drive Adaptor |
| C. | 8666-00 | Line Saver |
| D. | 5006-06 | Coil Spring |
| E. | 8961-00 | Coil Spring Adaptor |
| F. | 8583-01 | Drive Gear |
| G. | 8581-01 | Spool |
| H. | 8584-02 | Release Button |
| I. | 8582-02 | Cover |
| J. | 8579-01 | Cutting Head Complete Items A. thru I. |

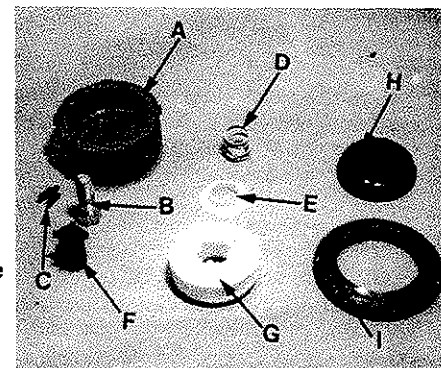


FIGURE 16