

LIMITED WARRANTY

The Manufacturer warrants to the original consumer purchaser that this product as manufactured is free from defects in materials and workmanship. For a period of two (2) years from date of purchase by the original consumer purchaser, we will repair or replace, at our option, without charge for parts or labor incurred in replacing parts, any part which we find to be defective due to materials or workmanship. This Warranty is subject to the following limitations and exclusions.

1. This warranty does not apply to the engine, transaxle/transmission components, battery (except as noted below) or components parts thereof. Please refer to the applicable manufacturer's warranty on these items.
2. Transportation charges for the movement of any power equipment unit or attachment are the responsibility of the purchaser. Transportation charges for any parts submitted for replacement under this warranty must be paid by the purchaser unless such return is requested by the manufacturer.
3. Battery Warranty: On products equipped with a Battery, we will replace, without charge to you, any battery which we find to be defective in manufacture, during the first ninety (90) days of ownership. After ninety (90) days, we will exchange the Battery, charging you 1/12 of the price of a new Battery for each full month from the date of the original sale. Battery must be maintained in accordance with the instructions furnished.
4. The Warranty period for any products used for rental or commercial purposes is limited to 45 days from the date of original purchase.
5. This Warranty applies only to products which have been properly assembled, adjusted, operated, and maintained in accordance with the instructions furnished. This Warranty does not apply to any product which has been subjected to alteration, misuse, abuse, improper assembly or installation, delivery damage, or to normal wear of the product.
6. Exclusions: Excluded from this Warranty are belts, blades, blade adapters, normal wear, normal adjustments, standard hardware and normal maintenance.
7. In the event you have a claim under this Warranty, you must return the product to an authorized service dealer.

Should you have any unanswered questions concerning this Warranty, contact:

Weed Eater
Customer Service Department
1030 Stevens Creek Road
Augusta, GA 30907 USA

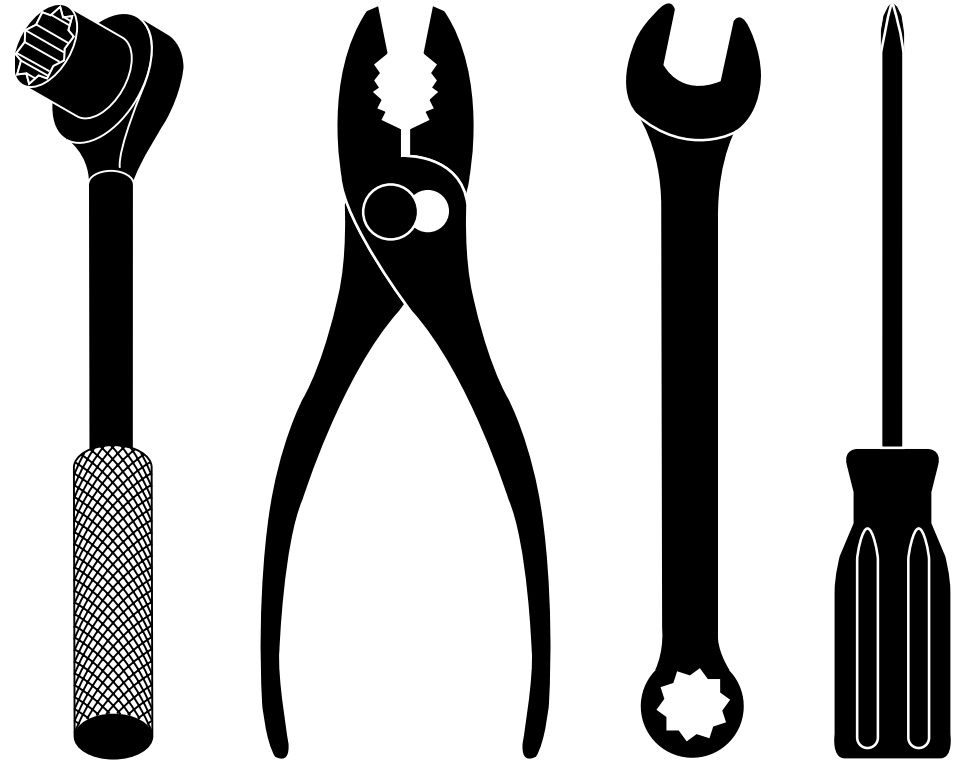
In Canada contact:
Weed Eater
Customer Service Department
5855 Terry Fox Way
Mississauga, Ontario L5V 3E4

giving the model number, serial number and date of purchase of your product and the name and address of the authorized dealer from whom it was purchased.

THIS WARRANTY DOES NOT APPLY TO INCIDENTAL OR CONSEQUENTIAL DAMAGES AND ANY IMPLIED WARRANTIES ARE LIMITED TO THE SAME TIME PERIODS STATED HEREIN FOR OUR EXPRESSED WARRANTIES.

Some areas do not allow the limitation of consequential damages or limitations of how long an implied Warranty may last, so the above limitations or exclusions may not apply to you. This Warranty gives you specific legal rights, and you may have other rights which vary from locale to locale.

This is a limited Warranty within the meaning of that term as defined in the Magnuson-Moss Act of 1975.



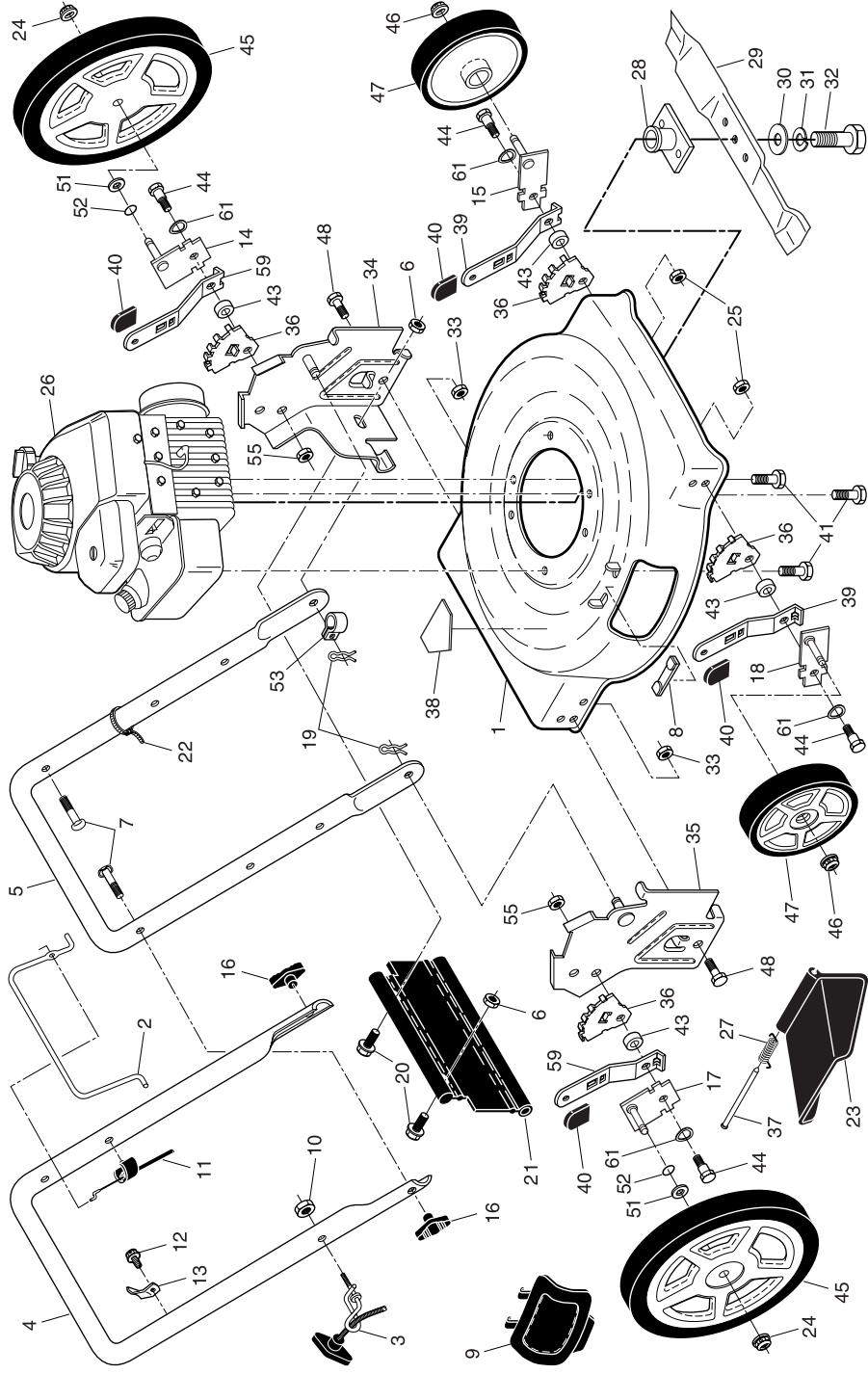
REPAIR PARTS MANUAL MODEL NO. 96114000409 Rotary Lawn Mower

For Parts and Service, contact our authorized distributor: call 1-800-849-1297
For Technical Assistance: call 1-800-829-5886

WEED EATER®

WEED EATER®

ROTARY LAWN MOWER -- MODEL NUMBER 96114000409



2

ROTARY LAWN MOWER -- MODEL NUMBER 96114000409

KEY PART NO.	DESCRIPTION	KEY PART NO.	DESCRIPTION
1	161657 Lawn Mower Housing (Includes Key Number 38)	29	406713 22" Blade
2	194177X428 Control Bar	30	851074 Hardened Washer
3	194788 Rope Guide	31	850263 Helical Lockwasher 3/8
4	194179X479 Upper Handle	32	851084 Screw, Hex Head, Grade 8, 3/8-24 x 1-3/8
5	169708X479 Lower Handle	33	73800500 Nut, Hex, Nylock 5/16-18
6	73800400 Locknut, Hex 1/4-20	34	193083X479 Handle Bracket, LH
7	191574 Handle Bolt 5/16-18	35	193082X479 Handle Bracket, RH
8	161622 Clip, Closeout	36	407494X005 Wheel Bracket Adjuster
9	160830 Mulcher Plate	37	160833 Hinge Rod
10	132004 Nut, Hex 1/4-20	38	404763 Danger Decal
11	183281 Engine Zone Control Cable	39	401621X004 Selector Spring, Front
12	750634 Hex Washer Head Screw #10-24 x 1/2	40	87877 Selector Knob
13	86899X004 Up-Stop Bracket	41	150406 Screw, Hex Head, Threaded, Rolled 3/8-16 x 1
14	401176X004 Axle Arm Assembly, Rear, LH	42	Spacer
15	401174X004 Axle Arm Assembly, Front, LH	43	401629 Shoulder Bolt 5/16-18
16	189713X428 Knob, Handle	44	401638 Wheel & Tire Assembly, Rear, 12"
17	401177X004 Axle Arm Assembly, Rear, RH	45	193926X617 Nut, Hex, Flangelock 3/8-16
18	401175X004 Axle Arm Assembly, Front, RH	46	409148 Wheel & Tire Assembly, Front, 7"
19	51793 Hairpin Cotter	47	193931X617 Bolt, Hex Head 5/16-18
20	74760412 Screw, Hex Cap Head 1/4-20	48	74760514 Washer, Flat 3/8
21	413160 Rear Deflector	49	O-Ring
22	66426 Wire Tie	50	197480 Clip, Cable
23	160831 Discharge Guard	51	88348 Nut, Hex
24	409149 Nut, Hex, Flangelock 3/8-16	52	197991 Selector Spring, Rear
25	166785 Nut, Hex, Flangelock 5/16-18	53	401624X004 Washer, Curved, Cylindrical
26	---	54	Warning Decal (not shown)
		55	193732 Operator's Manual, English
		56	193735 Operator's Manual, Spanish
		57	416937 Repair Parts Manual
27	408585 Engine, Briggs & Stratton, Model Number 10T502		
28	193825 (For engine service and replacement parts, call Briggs & Stratton at 1-800-233-3723)		

27 408585

28 193825

NOTE: All component dimensions given in U.S. inches. 1 inch = 25.4 mm.

IMPORTANT: Use only Original Equipment Manufacturer (O.E.M.) replacement parts. Failure to do so could be hazardous, damage your lawn mower and void your warranty.

3