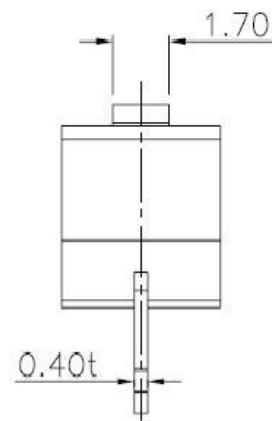
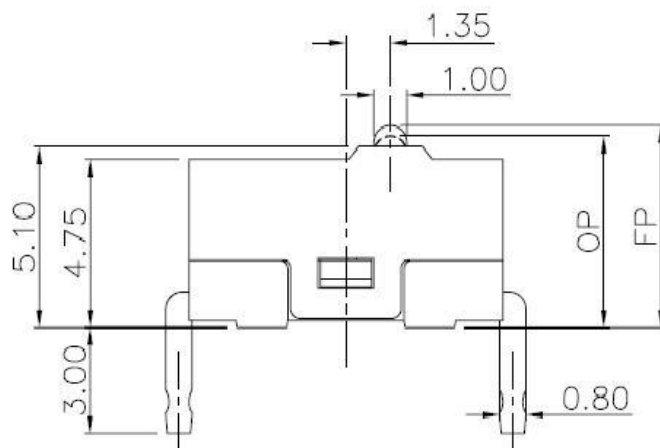
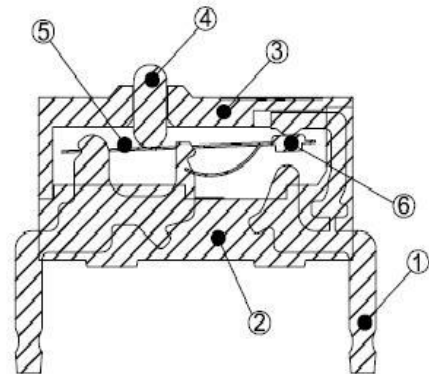
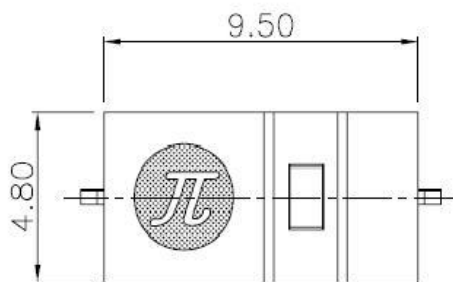


WHA173M 2.4G wireless mouse Specification



DIMENSIONS

Mouse

- Height x Width x Depth:
- 25 mm x 57 mm x 112mm

SYSTEM REQUIREMENTS

- Required: *Bluetooth* low energy technology
Windows® 10 or later, Windows 8
Mac OS X 10.10 or later
Chrome OS™
Android™ 5.0 or later

Unifying Receiver

- One Free USB Port
Windows 10 or later, Windows 8, Windows 7
Mac OS X 10.05 or later
Chrome OS
Linux®

TECHNICAL SPECIFICATIONS

Connection type: 2.4GHz wireless connection

Wireless range: 10 m*

** It may vary based on use and computing conditions.*

Battery details: 2 x AAA

Battery life: 2 years*

** It may vary based on use and computing conditions.*

Sensor technology: Logitech Advanced Optical Tracking

Sensor resolution: 500 dpi

Scroll Wheel: Yes

Standard and Special buttons: Tilt wheel with middle click, Easy Switch

Gesture Support (Windows): Yes

Gesture Support (Mac): Yes

Optional software: Logitech Options and Logitech Flow

WARNING STATEMENT

This equipment has been tested and found to comply with the limits for a Class B digital device, pursuant to part 15 of the FCC Rules. These limits are designed to provide reasonable protection against harmful interference in a residential installation. This equipment generates, uses and can radiate radio frequency energy and, if not installed and used in accordance with the instructions, may cause harmful interference to radio communications. However, there is no guarantee that interference will not occur in a particular installation. If this equipment does cause harmful interference to radio or television reception, which can be determined by turning the equipment off and on, the user is encouraged to try to correct the interference by one or more of the following measures:

- Reorient or relocate the receiving antenna.
- Increase the separation between the equipment and receiver.
- Connect the equipment into an outlet on a circuit different from that to which the receiver is connected.
- Consult the dealer or an experienced radio/TV technician for help.

Caution: Any changes or modifications to this device not explicitly approved by manufacturer could void your authority to operate this equipment.

This device complies with part 15 of the FCC Rules. Operation is subject to the following two conditions: (1) This device may not cause harmful interference, and (2) this device must accept any interference received, including interference that may cause undesired operation.

The device has been evaluated to meet general RF exposure requirement. The device can be used in portable exposure condition without restriction.