

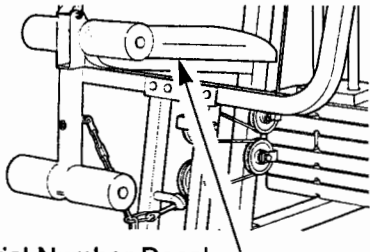
WEIDER 8515

PATENT PENDING

Model No. WESY85151

Serial No. _____

Write the serial number in the space above for future reference.



Serial Number Decal

QUESTIONS?

As a manufacturer, we are committed to providing complete customer satisfaction. If you have questions, or find that there are missing or damaged parts, we will guarantee you complete satisfaction through direct assistance from our factory.

TO AVOID UNNECESSARY DELAYS, PLEASE CALL DIRECT TO OUR TOLL-FREE CUSTOMER HOT LINE. The trained technicians on our customer hot line will provide immediate assistance, free of charge to you.

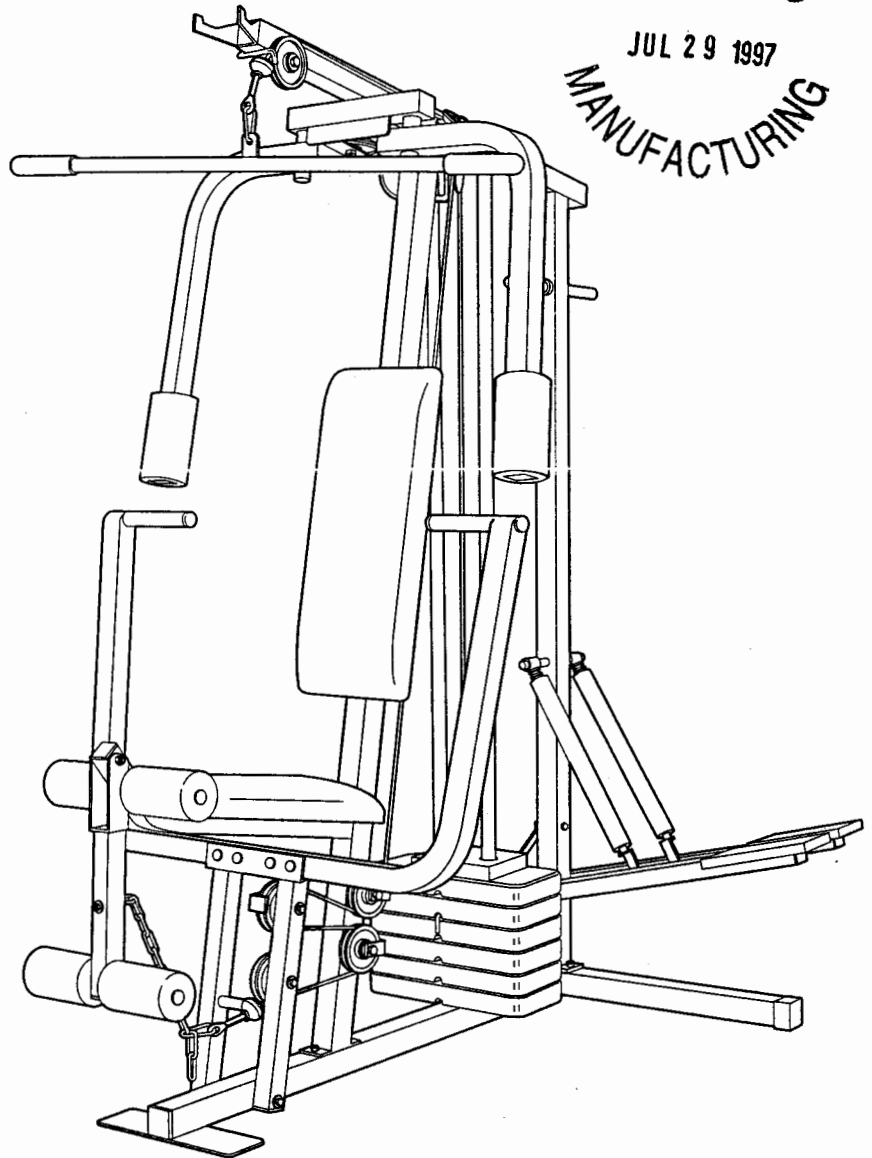
CUSTOMER HOT LINE:

1-800-999-3756

Mon.-Fri., 6 a.m.-6 p.m. MST

CAUTION

Read all precautions and instructions in this manual before using this equipment. Save this manual for future reference.



RELEASED TO
JUL 29 1997
MANUFACTURING

USER'S MANUAL

TABLE OF CONTENTS

LIMITED WARRANTY	2
IMPORTANT PRECAUTIONS	3
BEFORE YOU BEGIN	4
ASSEMBLY	5
HOW TO USE THE HOME GYM SYSTEM	15
TROUBLE-SHOOTING AND MAINTENANCE	18
CABLE DIAGRAM	19
ORDERING REPLACEMENT PARTS	Back Cover

Note: A PART IDENTIFICATION CHART and a PART LIST/EXPLODED DRAWING are attached to the center of this manual. Remove the PART IDENTIFICATION CHART and the PART LIST/EXPLODED DRAWING before beginning assembly.

WEIDER is a registered trademark of ICON Health & Fitness, Inc.

LIMITED WARRANTY

ICON Health & Fitness, Inc. (ICON), warrants this product to be free from defects in workmanship and material, under normal use and service conditions, for a period of ninety (90) days from the date of purchase. This warranty extends only to the original purchaser. ICON's obligation under this warranty is limited to replacing or repairing, at ICON's option, the product at one of its authorized service centers. All products for which warranty claim is made must be received by ICON at one of its authorized service centers with all freight and other transportation charges prepaid, accompanied by sufficient proof of purchase. All returns must be pre-authorized by ICON. This warranty does not extend to any product or damage to a product caused by or attributable to freight damage, abuse, misuse, improper or abnormal usage or repairs not provided by an ICON authorized service center, products used for commercial or rental purposes, or products used as store display models. No other warranty beyond that specifically set forth above is authorized by ICON.

ICON is not responsible or liable for indirect, special or consequential damages arising out of or in connection with the use or performance of the product or damages with respect to any economic loss, loss of property, loss of revenues or profits, loss of enjoyment or use, costs of removal, installation or other consequential damages of whatsoever nature. Some states do not allow the exclusion or limitation of incidental or consequential damages. Accordingly, the above limitation may not apply to you.

The warranty extended hereunder is in lieu of any and all other warranties and any implied warranties of merchantability or fitness for a particular purpose is limited in its scope and duration to the terms set forth herein. Some states do not allow limitations on how long an implied warranty lasts. Accordingly, the above limitation may not apply to you.

This warranty gives you specific legal rights. You may also have other rights which vary from state to state.

ICON HEALTH & FITNESS, INC., 1500 S. 1000 W., LOGAN, UT 84321-9813

IMPORTANT PRECAUTIONS

WARNING: To reduce the risk of serious injury, read the following important precautions before using the home gym system.

1. It is the responsibility of the owner to ensure that all users of the home gym system are adequately informed of all precautions.
2. Read all instructions in this manual and in the accompanying literature before using the home gym system.
3. Use the home gym system only on a level surface. Cover the floor or carpet beneath the home gym system for protection.
4. Inspect and tighten all parts often. Replace any worn parts immediately.
5. Keep children under 12 and pets away from the home gym system at all times.
6. Always disconnect the lat bar from the home gym system when performing an exercise that does not use the lat bar.
7. Make sure that the cables remain on the pulleys at all times. If the cables bind while you are exercising, stop immediately and make sure that the cables are on all of the pulleys.
8. Always stand on the foot plate when performing an exercise that could cause the home gym system to tip.
9. Keep hands and feet away from moving parts.
10. Always wear athletic shoes for foot protection.
11. Never release the press arm, butterfly arms, leg lever, lat bar or nylon strap while weights are raised. The weights will fall with great force.
12. The resistance cylinders become very hot during use. Allow the cylinders to cool before touching them.
13. If you feel pain or dizziness at any time while exercising, stop immediately and begin cooling down.
14. The home gym system is intended for home use only. Do not use the home gym system in any commercial, rental, or institutional setting.

WARNING: Before beginning this or any exercise program, consult your physician. This is especially important for persons over the age of 35 or persons with pre-existing health problems. Read all instructions before using. ICON assumes no responsibility for personal injury or property damage sustained by or through the use of this product.

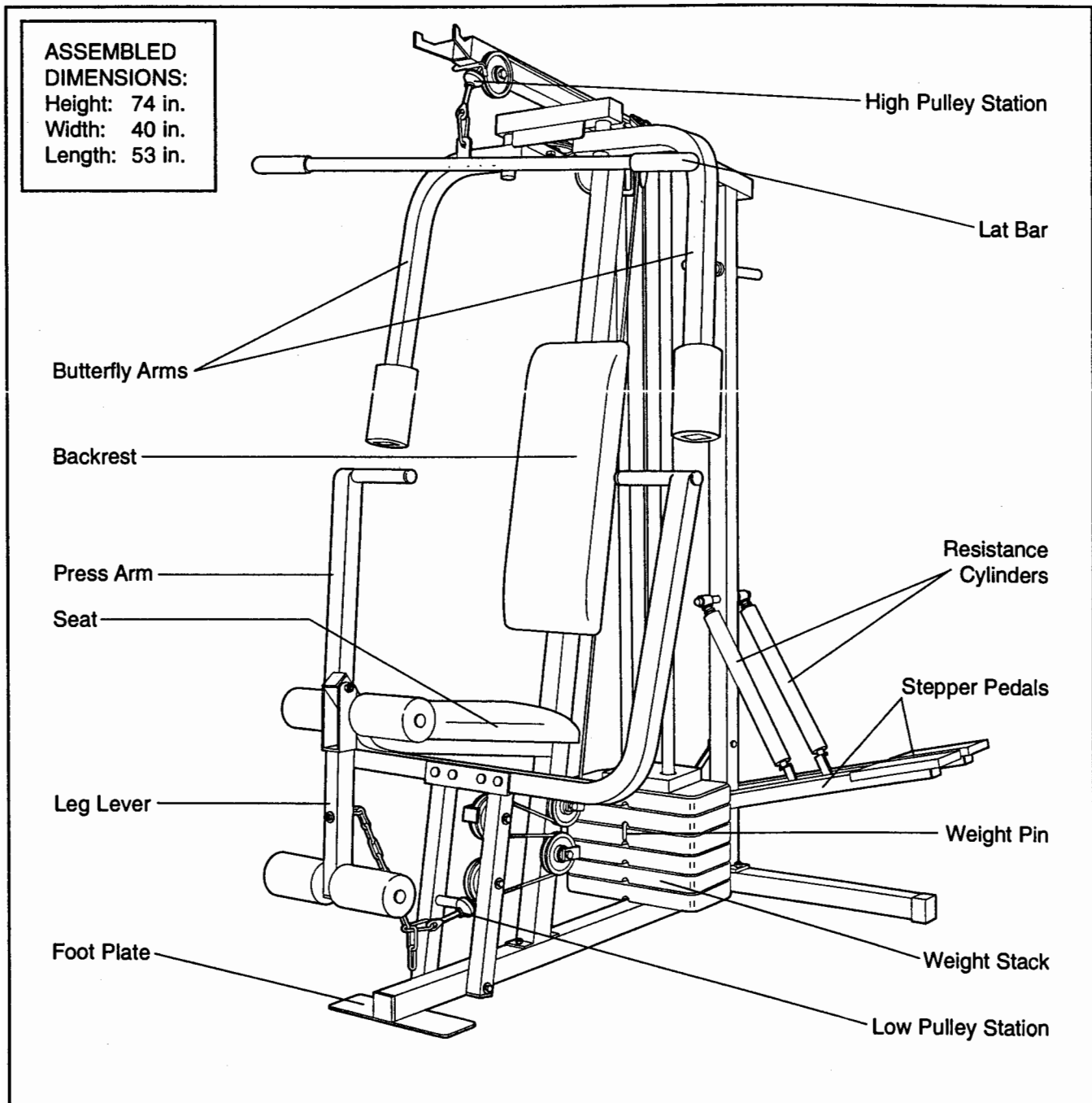
BEFORE YOU BEGIN

Thank you for selecting the versatile WEIDER® 8515 Home Gym System. The WEIDER® 8515 offers a selection of weight stations designed to develop every major muscle group of the body. Whether your goal is to tone your body, build dramatic muscle size and strength, or improve your cardiovascular system, the WEIDER® 8515 will help you to achieve the specific results you want.

For your benefit, read this manual carefully before using the WEIDER® 8515 Home Gym System. If you have additional questions, please call our Customer

Service Department toll-free at 1-800-999-3756, Monday through Friday, 6 a.m. until 6 p.m. Mountain Time (excluding holidays). To help us assist you, please note the product model number and serial number before calling. The model number is WESY85151. The serial number can be found on a decal attached to the WEIDER® 8515 (see the front cover of this manual).

Before reading further, please review the drawing below and familiarize yourself with the parts that are labeled.




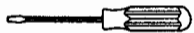

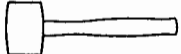
ASSEMBLY

Before beginning assembly, carefully read the following information and instructions:

- Place all parts of the WEIDER 8515 in a cleared area and remove the packing materials; do not dispose of the packing materials until assembly is completed.
- The assembly is divided into four stages: 1) frame assembly, 2) press and butterfly arm assembly, 3) cable and pulley assembly, and 4) seat and backrest assembly. The hardware for each stage is packaged separately.
- Wait until you begin each assembly stage to open that parts bag.
- For help identifying the small parts used in assembly, use the **PART IDENTIFICATION CHART** located in the center of this manual. Note: Some small parts may have been pre-attached for shipping. If a part is not in the parts bag, check to see if it has been pre-attached.

- As you assemble the WEIDER 8515, be sure that all parts are oriented as shown in the drawings.
- Tighten all parts as you assemble them, unless instructed to do otherwise.

THE FOLLOWING TOOLS (NOT INCLUDED) ARE REQUIRED FOR ASSEMBLY:

- Two (2) adjustable wrenches 
- One (1) standard screwdriver 
- One (1) phillips screwdriver 
- One (1) rubber mallet 
- Lubricant, such as grease or petroleum jelly, and soapy water will also be needed.

Assembly will be more convenient if you have the following tools: A socket set, a set of open-end or closed-end wrenches, or a set of ratchet wrenches.

FRAME ASSEMBLY

1. **Before beginning assembly, be sure that you have read and understand the information in the box above.**

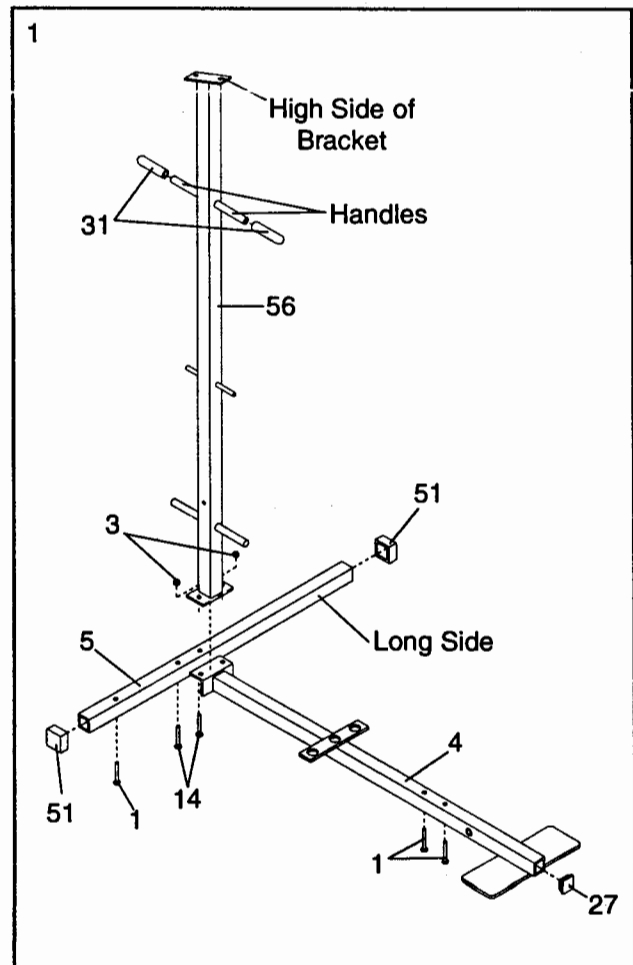
Press a 2" Square Outer Cap (51) onto each end of the Stabilizer (5). Press a 2" Square Inner Cap (27) into the end of the Base (4).

Turn the Stabilizer (5) so that the long side is positioned as shown.

Insert two 5/16" x 2 3/4" Carriage Bolts (14) up through the Stabilizer (5). Insert a 5/16" x 2 1/2" Carriage Bolt (1) up through the remaining hole in the Stabilizer. Insert two 5/16" x 2 1/2" Carriage Bolts (1) up through the Base (4).

Slide the indicated end of the Base (4) onto the 5/16" x 2 3/4" Carriage Bolts (14) in the Stabilizer (5). Slide the Rear Upright (56) onto the Carriage Bolts. **The high side of the bracket on the Rear Upright must be on the side shown.** Hand tighten a 5/16" Nylon Locknut (3) onto each Carriage Bolt. **Do not tighten the Nylon Locknuts yet.**

Wet the handles on the Rear Upright (56) with soapy water. Slide a Hand Grip (31) onto each handle.

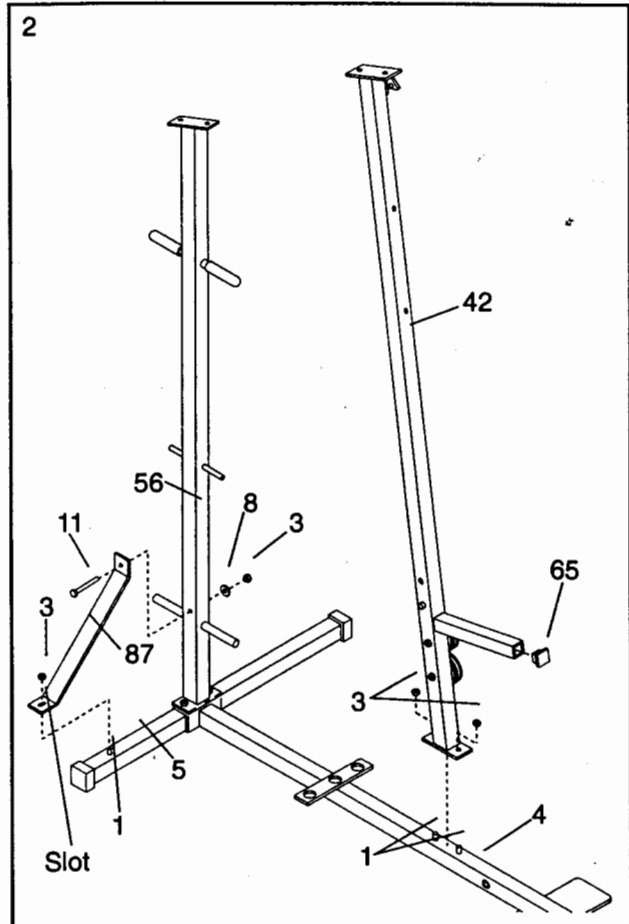


- Slide the Front Upright (42) onto the 5/16" x 2 1/2" Carriage Bolts (1) in the Base (4). Hand tighten a 5/16" Nylon Locknut (3) onto each Carriage Bolt. **Do not tighten the Nylon Locknuts yet.**

Press a 1" Square Inner Cap (65) into the Front Upright (42).

Attach the slotted end of the Brace (87) to the 5/16" x 2 1/2" Carriage Bolt (1) in the Stabilizer (5). Hand tighten a 5/16" Nylon Locknut (3) onto the Bolt. **Do not tighten the Nylon Locknut yet.**

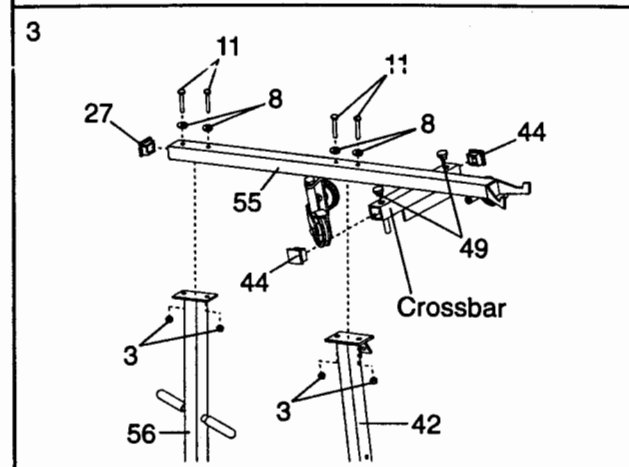
Attach the other end of the Brace (87) to the Rear Upright (56) with a 5/16" x 2 3/4" Bolt (11), a 5/16" Flat Washer (8), and a 5/16" Nylon Locknut (3). **Do not tighten the Nylon Locknut yet.**



- Press a 2" Square Inner Cap (27) into the end of the Top Frame (55). Press a 1 3/4" Square Inner Cap (44) into each end of the crossbar on the Top Frame. Press two 1" Round Inner Caps (49) into the top of the crossbar.

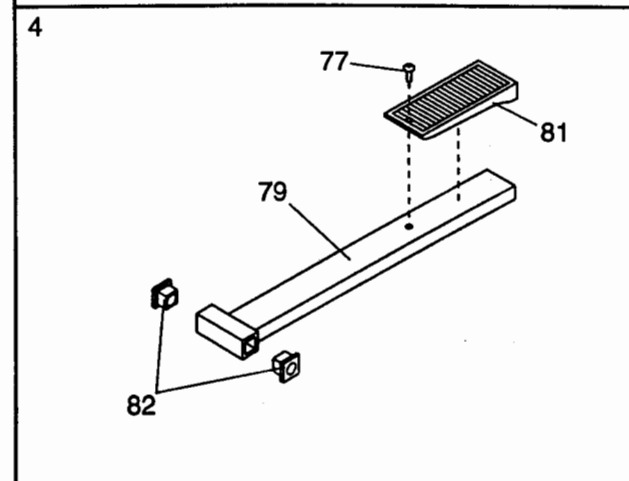
Attach the Top Frame (55) to the Front Upright (42) and the Rear Upright (56) with four 5/16" x 2 3/4" Bolts (11), four 5/16" Flat Washers (8), and four 5/16" Nylon Locknuts (3).

Tighten all Nylon Locknuts used in steps 1 through 3.

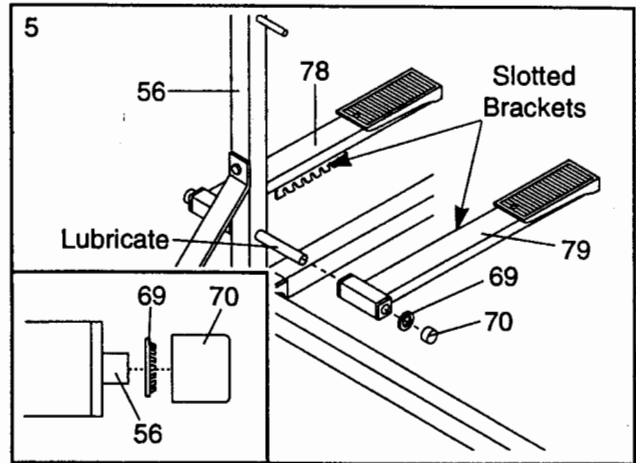


- Press two 1 1/2" Bushings (82) into the Left Pedal (79). Attach a Pedal Cover (81) to the Left Pedal with a 1/2" Metal Screw (77).

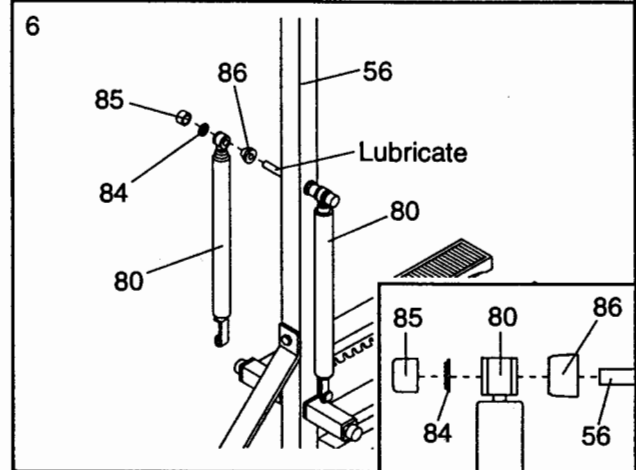
Assemble the Right Pedal (not shown) in the same manner.



- Lubricate the pedal axles on the Rear Upright (56). Slide the Left Pedal (79) onto the left pedal axle, and the Right Pedal (78) onto the right pedal axle. **Note: Make sure that the Pedals are on the correct sides; the slotted brackets must be on the insides of the Pedals.** Hold a 1" Retainer (69) and a 1" Round Cover Cap (70) against the end of the left pedal axle. The teeth on the Retainer must bend outward (see the inset drawing). Tap the Retainer and the Round Cover Cap onto the pedal axle. Attach the Right Pedal in the same manner.

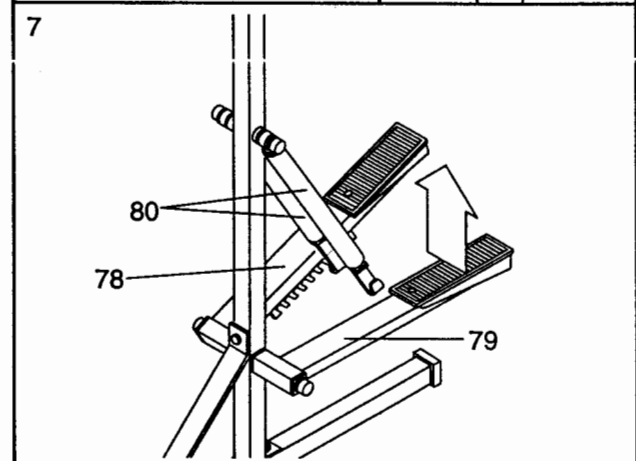


- Lubricate the cylinder axles on the Rear Upright (56). Slide a 5/8" Spacer (86) and a Resistance Cylinder (80) onto each cylinder axle. **Be sure that the Spacer is turned as shown in the inset drawing.** Hold a 5/8" Retainer (84) and a 5/8" Round Cover Cap (85) against the end of the right cylinder axle. The teeth on the Retainer must bend outward (see the inset drawing). Tap the Retainer and the Round Cover Cap onto the cylinder axle.



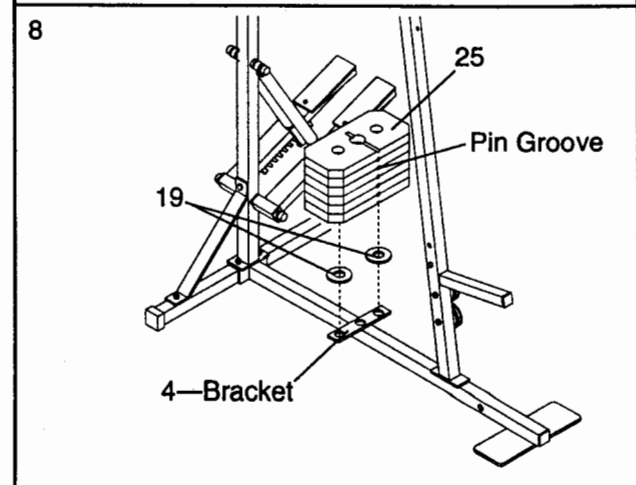
Tap a 5/8" Retainer (84) and a 5/8" Round Cover Cap (85) onto the left cylinder axle in the same manner.

- Raise the Left Pedal (79) and rest it on the hook at the lower end of the left Resistance Cylinder (80). The hook must be in one of the slots under the Left Pedal.



Raise the Right Pedal (78) and rest it on the hook at the lower end of the right Resistance Cylinder (80). **Make sure that the hooks are in the same position under both Pedals.**

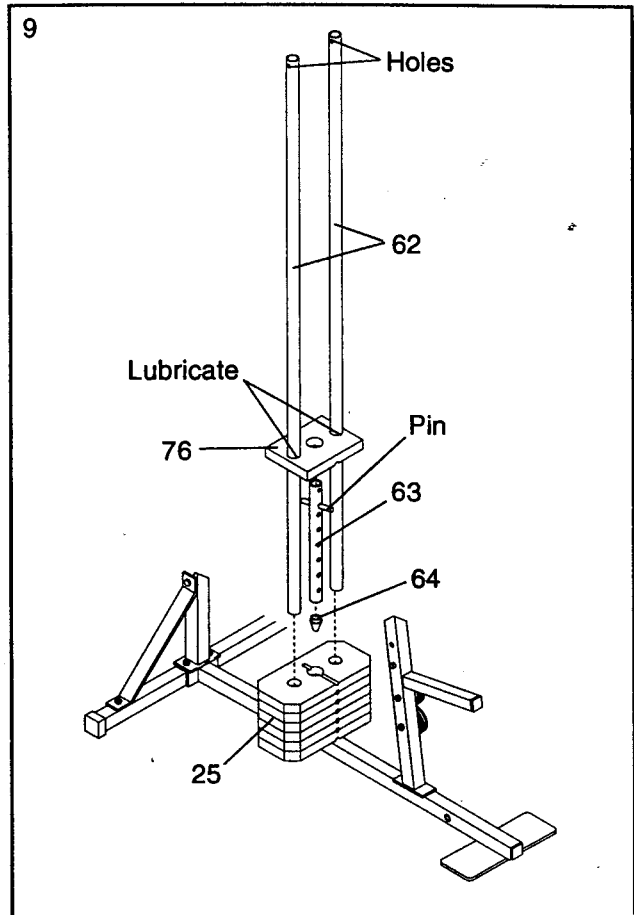
- Set two Weight Bumpers (19) onto the bracket on the Base (4) as shown.



Stack six Weights (25) onto the Weight Bumpers (19). **Make sure that the Weights are turned so the pin grooves are all on the same side and the "welder" logos are on top.**

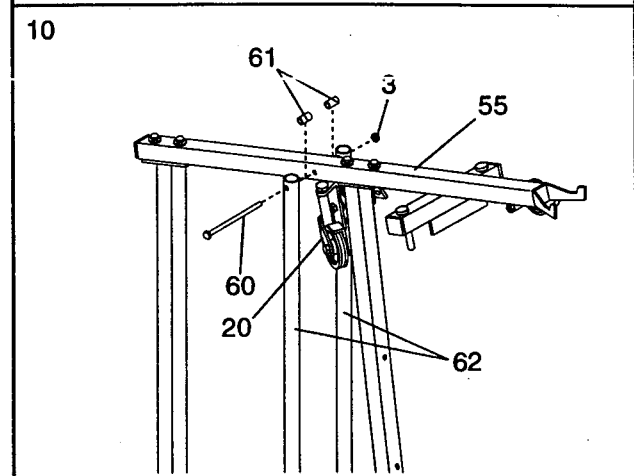
9. Press the Weight Tube Bumper (64) into the end of the Weight Tube (63). Insert the Weight Tube into the stack of Weights (25). **Be sure that the pins on the Weight Tube are sitting in the pin grooves in the top Weight.**

Lubricate the insides of the holes in the Top Weight (76). Set the Top Weight onto the stack of Weights (25). Insert both Weight Guides (62) into the stack of Weights. **Be sure that the holes in the Weight Guides are at the top, as shown.**



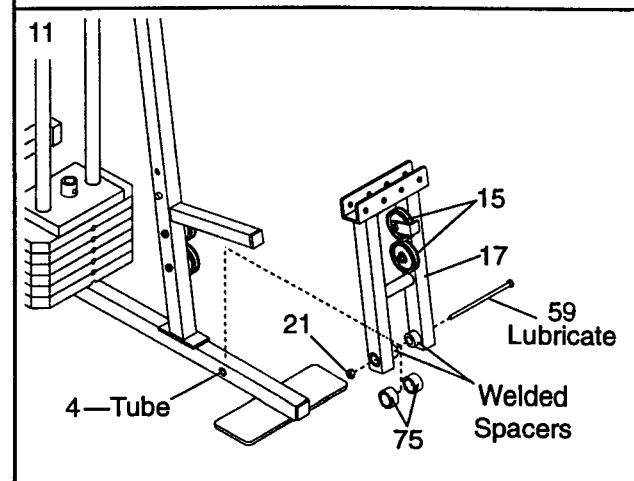
10. Attach the upper ends of the Weight Guides (62) to the Top Frame (55) with the 5/16" x 6" Bolt (60), two 1/2" x 3/4" Spacers (61), and a 5/16" Nylon Locknut (3).

Be sure that the Pulley Bracket (20) is in front of the right Weight Guide (62) as shown.



11. Press a 1" x 7/8" Plastic Bushing (75) onto each welded spacer on the Press Frame (17). Slide the Press Frame into place on the Base (4). **Note: This will be a tight fit. The Plastic Bushings should fit onto each end of the indicated tube in the Base. Be sure that the Pulleys (15) are on the indicated side.**

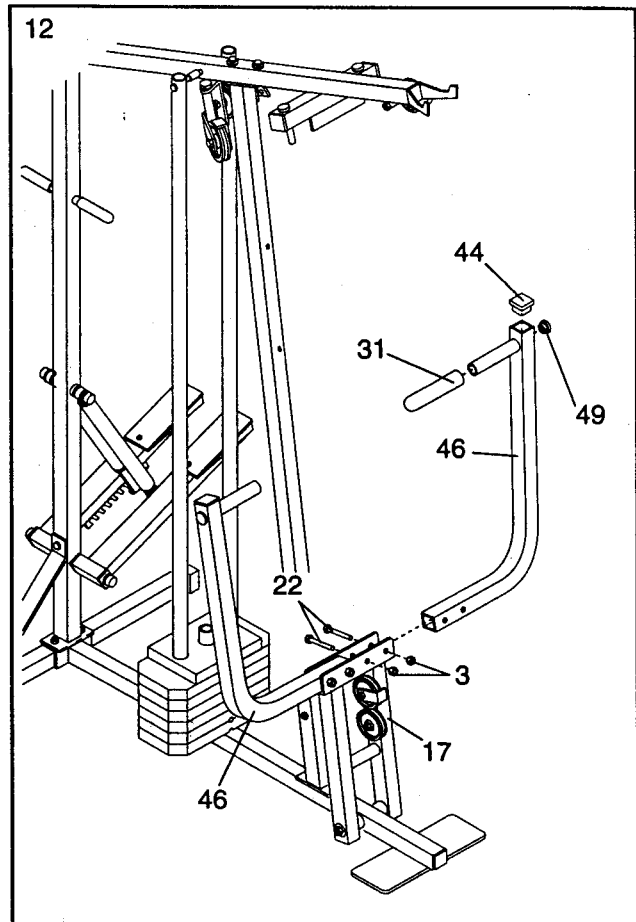
Lubricate the 3/8" x 8" Bolt (59). Attach the Press Frame (17) to the Base (4) with the 3/8" x 8" Bolt and a 3/8" Nylon Locknut (21).



12. Wet the handle of one Press Arm (46) with soapy water. Slide a 5" Plastic Grip (31) onto the handle. Press a 1" Round Inner Cap (49) into the other end of the handle.

Attach the Press Arm (46) to one side of the Press Frame (17) with two 5/16" x 2 1/2" Bolts (22) and two 5/16" Nylon Locknuts (3).

Assemble the other Press Arm (46) in the same manner.



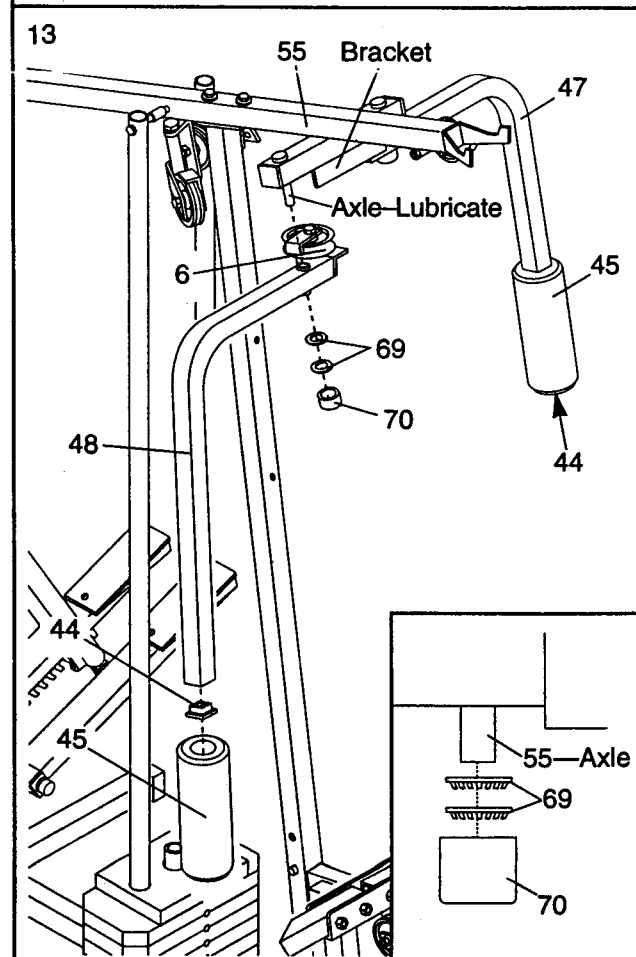
13. Lubricate both axes on the Top Frame (55).

Slide the Right Arm (48) onto the right axle. **Note: Be careful not to confuse the Right Arm with the Left Arm (47); note the position of the "V" Pulley (6) to identify the Right Arm. Be sure that the upper end of the Right Arm is behind the indicated bracket on the Top Frame (55).**

Tap two 1" Retainers (69) and a 1" Round Cover Cap (70) onto the axle. **Be sure that the teeth on the Retainers bend toward the Cover Cap, as shown in the inset drawing.**

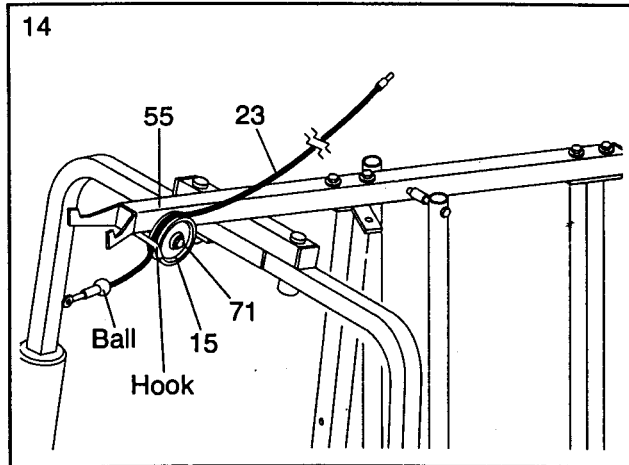
Attach the Left Arm (47) in the same manner.

Press 1 3/4" Square Inner Caps (44) into the lower ends of the Right and Left Arms (47, 48). Wet the lower end of each Arm with soapy water. Slide a 10" Pad (45) onto the lower end of each Arm.

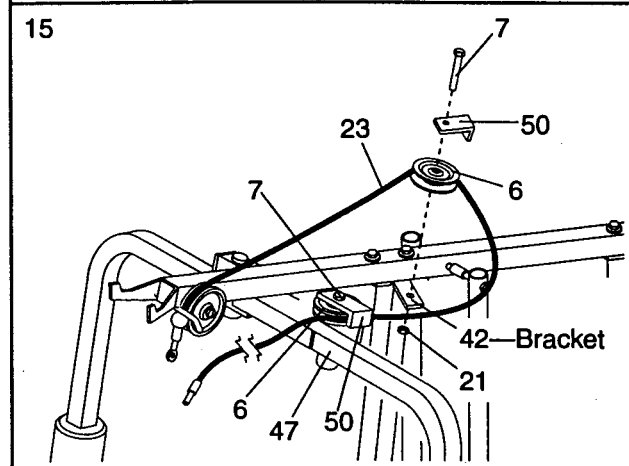


As you assemble the cables and pulleys in steps 14 through 22, please refer to the CABLE DIAGRAM on page 19 of this manual.

- Route the Long Cable (23) around the 3 1/2" Pulley (15) attached to the Top Frame (55). Be sure that the end of the Cable with the ball is on the indicated side of the Pulley and that the Cable is between the Pulley and the hook on the Top Frame. Tighten the 3/8" x 3 3/4" Bolt (71) and the 3/8" Nylon Locknut (not shown).

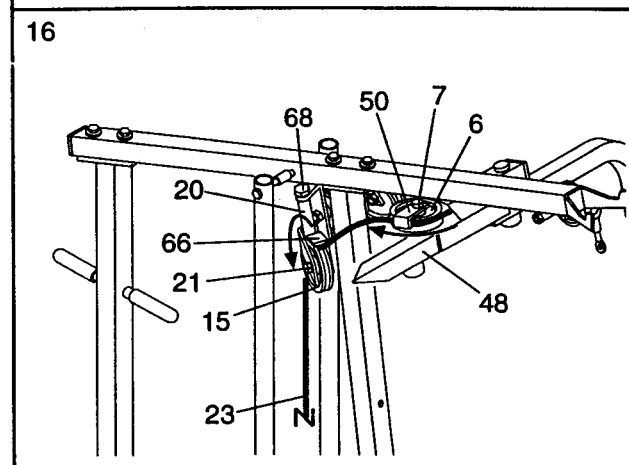


- Wrap the Long Cable (23) around a "V"-Pulley (6). Attach the "V"-Pulley and a Long Cable Trap (50) to the indicated bracket on the Front Upright (42) with a 3/8" x 2 1/2" Bolt (7) and a 3/8" Nylon Locknut (21).



Route the Long Cable (23) around the "V"-Pulley (6) on the Left Arm (47). Tighten the 3/8" x 2 1/2" Bolt (7) and the 3/8" Nylon Locknut (not shown). Be sure that the Cable is in the groove of the Pulley and that the Long Cable Trap (50) is turned to hold the Cable in place.

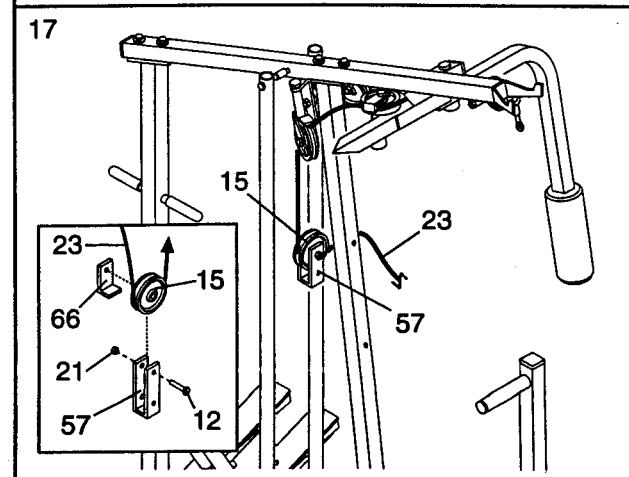
- Route the Long Cable (23) around the "V"-Pulley (6) on the Right Arm (48). Be sure that the Cable is in the groove of the "V"-Pulley and that the Long Cable Trap (50) is turned to hold the Cable in place. Tighten the 3/8" x 2 1/2" Bolt (7) and the 3/8" Nylon Locknut (not shown).



Route the Long Cable (23) around the 3 1/2" Pulley (15) attached to the Pulley Bracket (20). Be sure that the Cable is in the groove of the Pulley and that the Cable Trap (66) is turned to hold the Cable in place. Tighten the 3/8" Nylon Locknut (21) and the 3/8" x 2" Bolt (not shown).

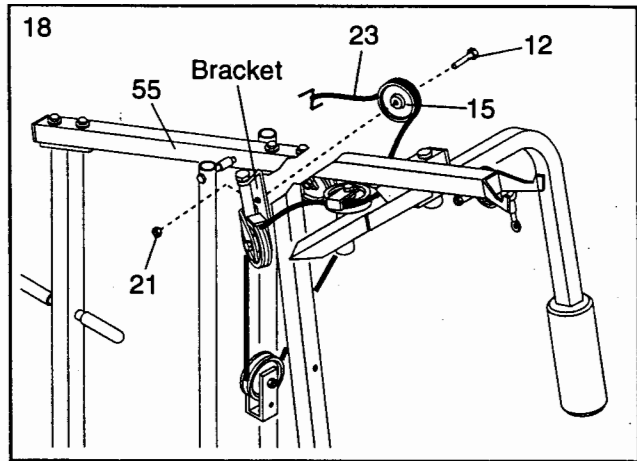
Be sure that the 5/16" x 5" Bolt (68) is tightened.

- See the inset drawing. Attach a 3 1/2" Pulley (15) and a Cable Trap (66) to the indicated hole in the Long "U"-Bracket (57) with a 3/8" x 2" Bolt (12) and a 3/8" Nylon Locknut (21). Be sure that the Cable Trap is inside the "U"-Bracket. Note: This may come pre-assembled.

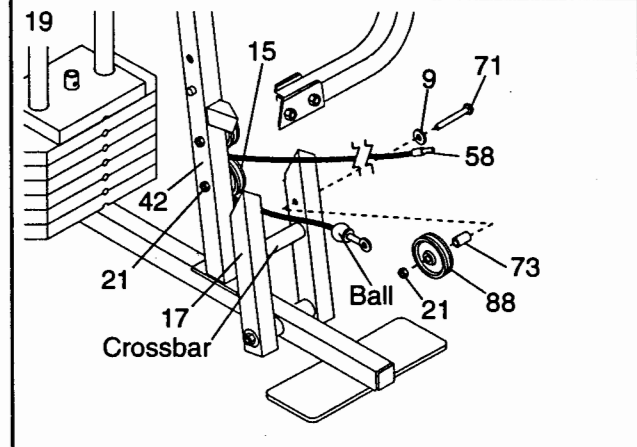


Route the Long Cable (23) through the 3 1/2" Pulley (15) and the Long "U"-Bracket (57). Be sure that the Cable is in the groove of the Pulley and that the Cable and Pulley move smoothly.

18. Route the Long Cable (23) around the 3 1/2" Pulley (15) attached to the bracket on the Top Frame (55). Tighten the 3/8" x 2" Bolt (12) and the 3/8" Nylon Locknut (21). **(Note: This Pulley is pre-assembled. It has been shown disassembled for easy part identification.) Be sure that the Cable is in the groove of the Pulley and that the Cable and Pulley move smoothly.**

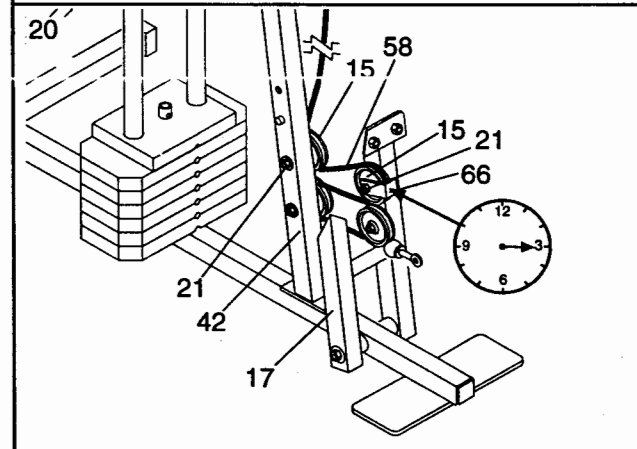


19. Remove the 3 1/2" Low Pulley (88) from the Press Frame (17). Re-attach the Pulley with the 5/8" x 9/16" Spacer (73) between the Pulley and the Press Frame. **Finger tighten the 3/8" Nylon Locknut (21).**



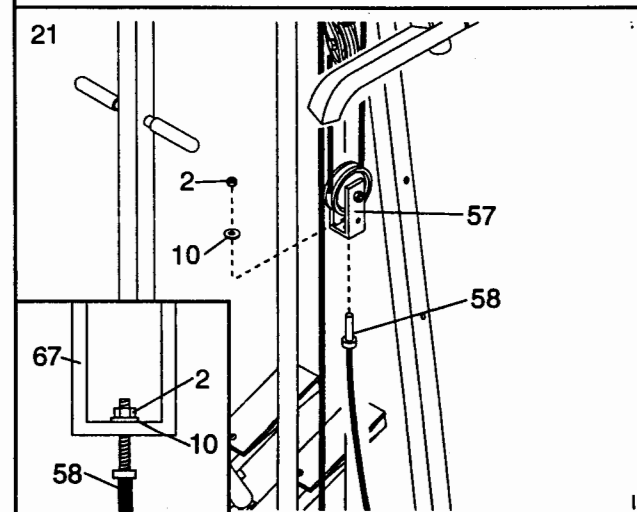
Route the Short Cable (58) under the 3 1/2" Low Pulley (88) attached to the lower hole in the Press Frame (17). **Be sure that the end of the Cable with the ball is on the indicated side of the Press Frame and that the Cable is between the Pulley and the crossbar on the Press Frame.** Tighten the 3/8" Nylon Locknut (21) and the 3/8" x 3 3/4" Bolt (71).

Route the Short Cable (58) around the 3 1/2" Pulley (15) attached to the lower hole in the Front Upright (42). **Be sure that the Cable Trap (not shown) is turned to hold the Cable in place and that the Cable is routed around the Pulley as shown.** Tighten the 3/8" Nylon Locknut (21) and the 3/8" x 3 3/4" Bolt (not shown).



20. Route the Short Cable (58) around the 3 1/2" Pulley (15) attached to the upper hole in the Press Frame (17). **Be sure that the Cable Trap (66) is in the "3 o'clock" position and that the Cable is routed around the Pulley as shown.** Tighten the 3/8" Nylon Locknut (21) and 3/8" x 3 1/2" Bolt (not shown).

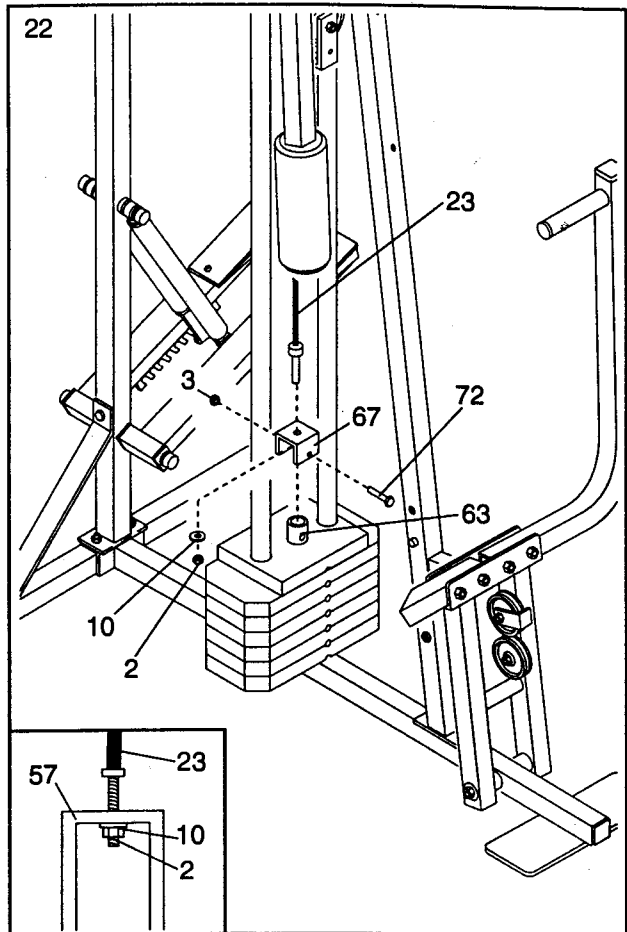
Route the Short Cable (58) around the 3 1/2" Pulley (15) attached to the upper hole in the Front Upright (42). **Be sure that the Cable Trap (not shown) is turned to hold the Cable in place and that the Cable is routed around the Pulley as shown.** Tighten the 3/8" Nylon Locknut (21) and the 3/8" x 3 3/4" Bolt (not shown).



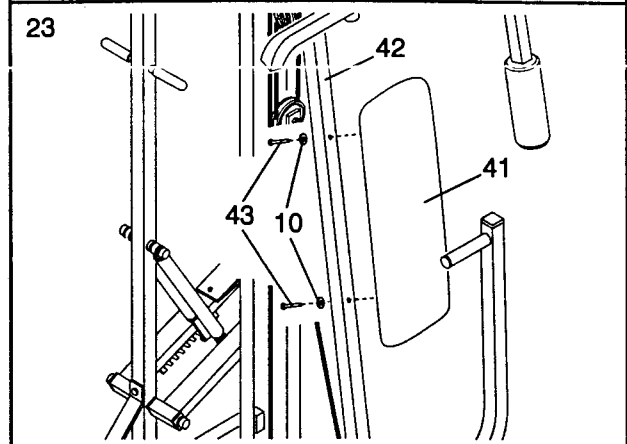
21. Attach the end of the Short Cable (58) to the Long "U"-Bracket (57) with a 1/4" Nylon Locknut (2) and a 1/4" Flat Washer (10). **Do not completely tighten the Nylon Locknut. It should be threaded onto the end of the Cable so only a couple of threads are showing above the Nylon Locknut, as shown in the Inset drawing.**

22. Attach the Long Cable (23) to the Small "U"-Bracket (67) with a 1/4" Nylon Locknut (2) and a 1/4" Flat Washer (10). Do not completely tighten the Nylon Locknut. It should be threaded onto the end of the Cable so only a couple of threads are showing above the Nylon Locknut, as shown in the Inset drawing.

Attach the Small "U"-Bracket (67) to the Weight Tube (63) with the 5/16" x 1 3/4" Bolt (72) and a 5/16" Nylon Locknut (3).



23. Attach the Backrest (41) to the Front Upright (42) with two 1/4" x 2 1/2" Screws (43) and two 1/4" Flat Washers (10).

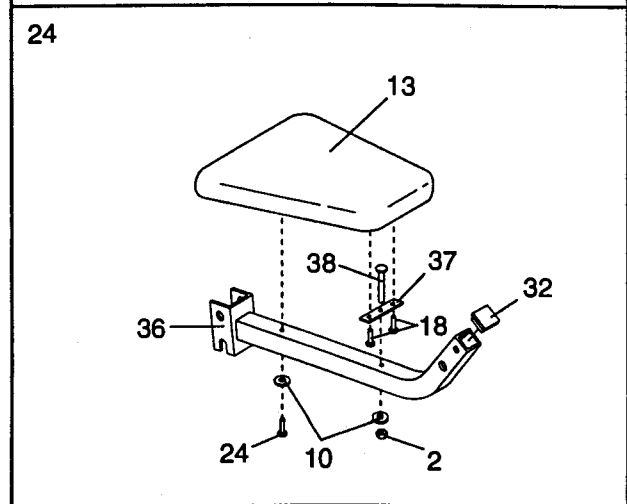


24. Press a 1 1/2" Square Inner Cap (32) into the Seat Frame (36).

Insert the 1/4" x 2" Carriage Bolt (38) through the center hole in the Seat Plate (37). Attach the Seat Plate to the Seat (13) with two 1/4" x 1/2" Screws (18).

Insert the 1/4" x 2" Carriage Bolt (38) into the indicated hole in the Seat Frame (36). Tighten a 1/4" Nylon Locknut (2) with a 1/4" Flat Washer (10) onto the Carriage Bolt.

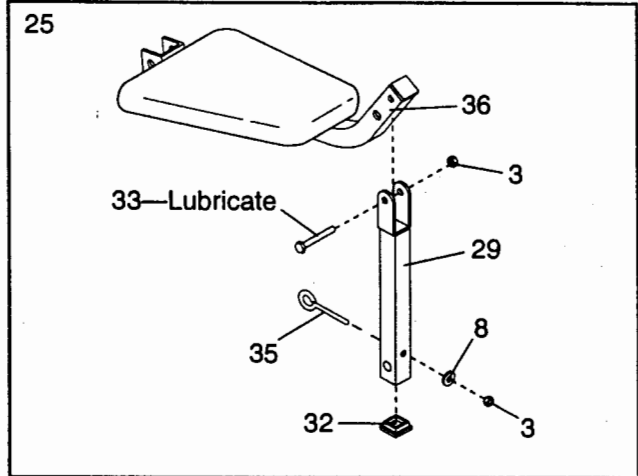
Attach the other end of the Seat (13) to the Seat Frame (36) with the 1/4" x 2" Screw (24) and a 1/4" Flat Washer (10).



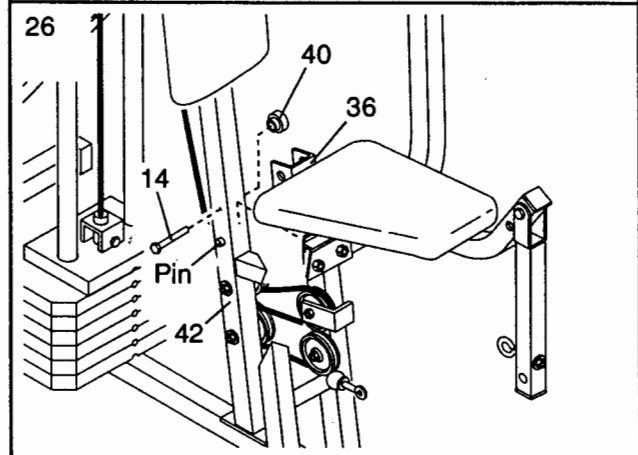
25. Press a 1 1/2" Square Inner Cap (32) into the Leg Lever (29).

Lubricate the 5/16" x 2 1/4" Bolt (33). Attach the Leg Lever (29) to the Seat Frame (36) with the 5/16" x 2 1/4" Bolt and a 5/16" Nylon Locknut (3).

Insert the 5/16" x 2" Eyebolt (35) into the Leg Lever (29) from the direction shown. Tighten a 5/16" Nylon Locknut (3) with a 5/16" Flat Washer (8) onto the Eyebolt.



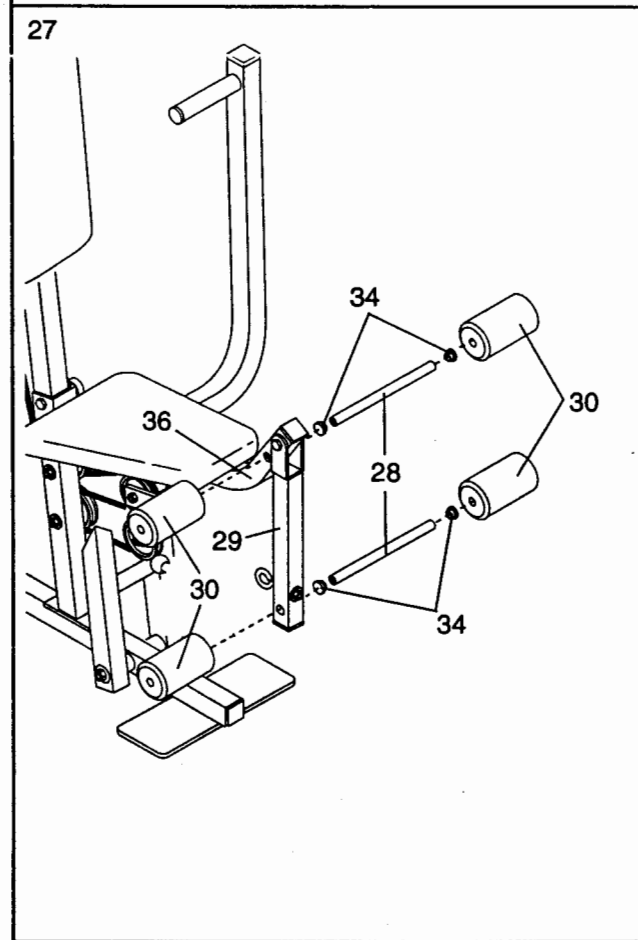
26. Rest the Seat Frame (36) on the indicated pin in the Front Upright (42). Attach the Seat Frame to the Front Upright with a 5/16" x 2 3/4" Carriage Bolt (14) and the Seat Knob (40).



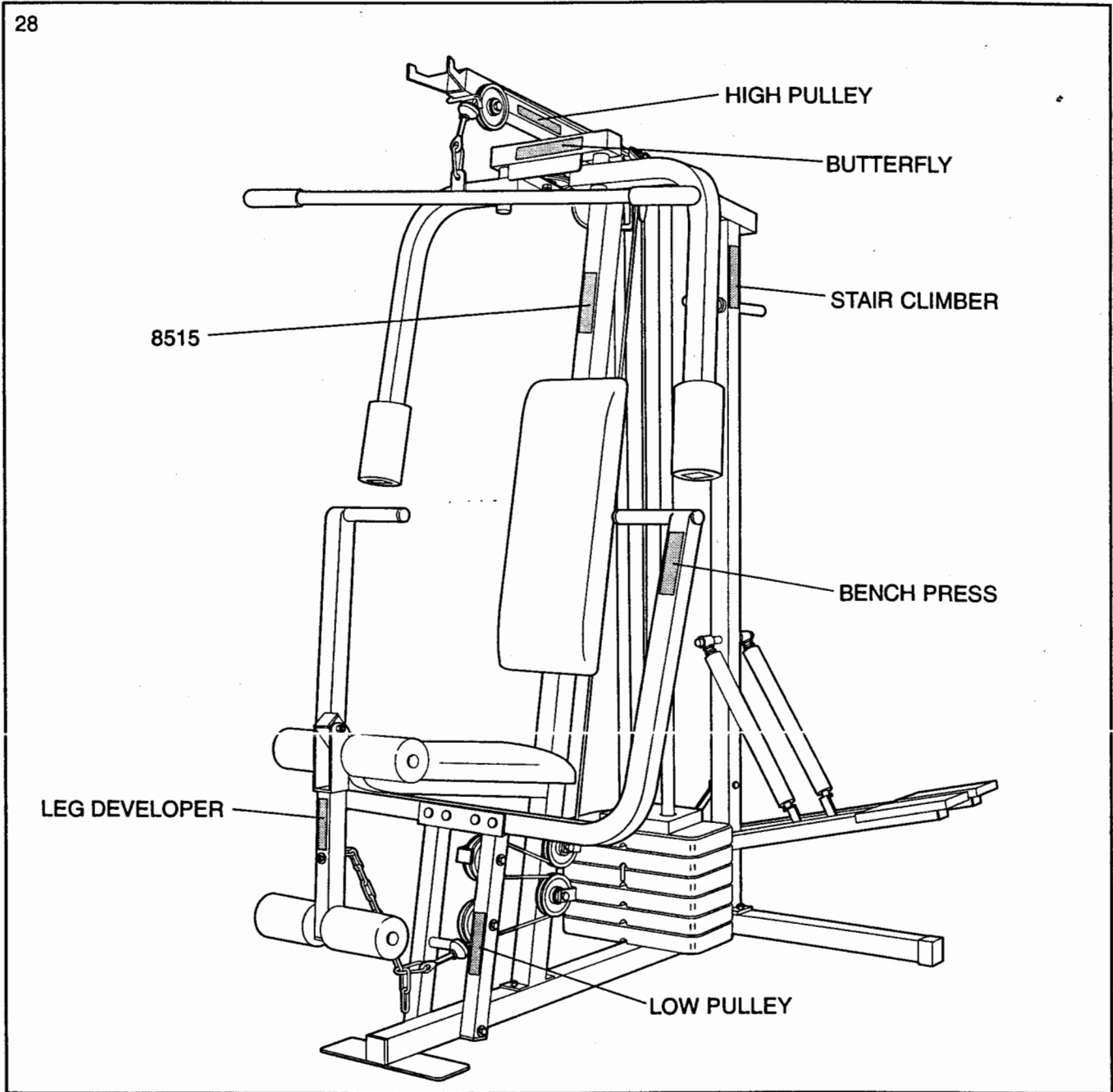
27. Press 3/4" Round Inner Caps (34) into the ends of both 12 1/2" Pad Tubes (28).

Insert one 12 1/2" Pad Tube (28) into the Seat Frame (36). Slide a 5 1/2" Pad (30) onto each end of the Pad Tube.

Insert the other 12 1/2" Pad Tube (28) into the Leg Lever (29). Slide a 5 1/2" Pad (30) onto each end of the Pad Tube.



28. Remove the decals from the decal sheet (not shown) and apply them to the home gym system in the locations shown in the illustration below.



29. Make sure that all parts have been properly tightened. The use of the remaining parts will be explained in HOW TO USE THE HOME GYM SYSTEM, beginning on page 15 of this manual.

Before using the home gym system, pull each cable a few times to be sure that the cables move smoothly over the pulleys. If one of the cables does not move smoothly, find and correct the problem. **IMPORTANT: If the cables are not properly installed, they may be damaged when heavy weight is used. See the CABLE DIAGRAM on page 19 of this manual for proper cable routing. If there is any slack in the cables, the cables should be tightened. See TROUBLE-SHOOTING AND MAINTENANCE on page 18.**

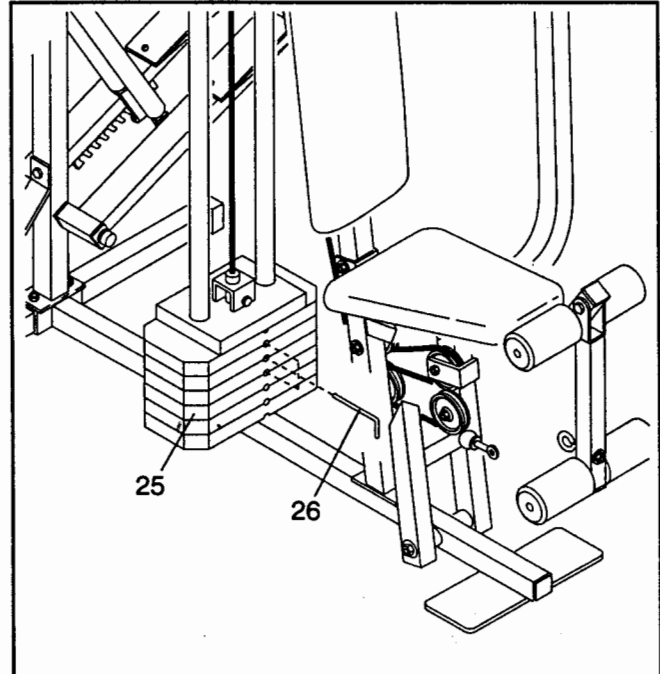
HOW TO USE THE HOME GYM SYSTEM

The instructions below describe how each part of the home gym system can be adjusted. Refer to the exercise poster accompanying this manual to see how the home gym system should be set up for each exercise.

IMPORTANT: When attaching the lat bar or nylon strap, make sure that the attachments are in the correct starting position for the exercise to be performed. If there is any slack in the cables or chain as an exercise is performed, the effectiveness of the exercise will be reduced.

CHANGING THE WEIGHT SETTING

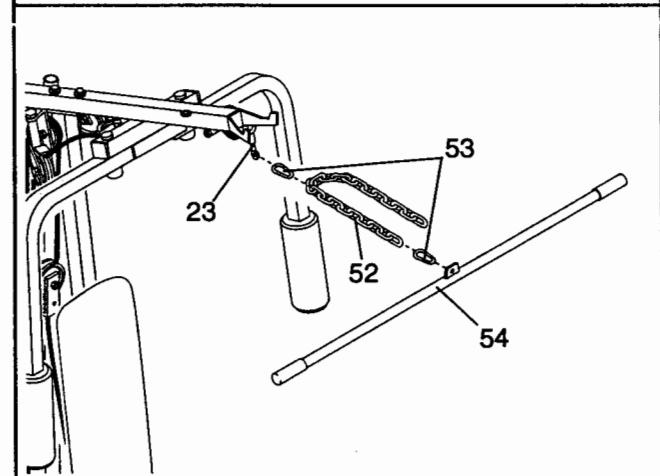
To change the weight setting of the weight stack, insert the Weight Pin (26) under the desired Weight (25). Make sure to insert the Weight Pin until the bent end of the Weight Pin is touching the Weights, and turn the bent end downward. The weight setting can be changed from 6.5 pounds to 81.5 pounds, in increments of 12.5 pounds. **Note: Due to the cables and pulleys, the amount of resistance at each exercise station may vary from the weight setting. Use the WEIGHT RESISTANCE CHART on page 24 to find the approximate amount of resistance at each weight station.**



ATTACHING THE LAT BAR OR NYLON STRAP TO THE HIGH PULLEY STATION

Attach the Lat Bar (54) to the Long Cable (23) with a Cable Clip (53). For some exercises, the Chain (52) should be attached between the Lat Bar and the Long Cable with two Cable Clips. **Adjust the length of the Chain between the Lat Bar and the Long Cable so the Lat Bar is in the correct starting position for the exercise to be performed.**

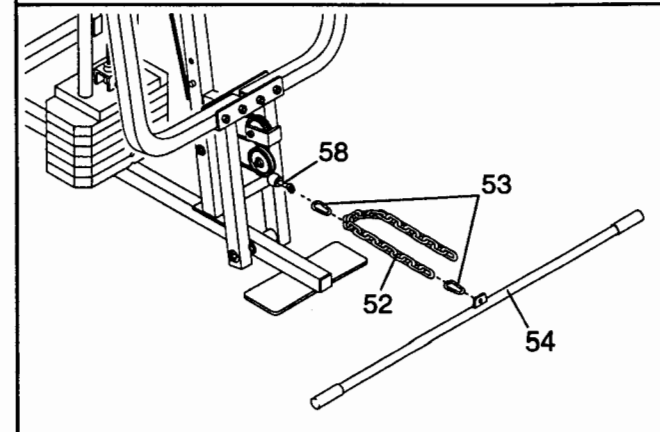
The Nylon Strap (39) (not shown) can be attached in the same manner.



ATTACHING THE LAT BAR OR NYLON STRAP TO THE LOW PULLEY STATION

Attach the Lat Bar (54) to the Short Cable (58) with a Cable Clip (53). For some exercises, the Chain (52) should be attached between the Lat Bar and the Short Cable with two Cable Clips. **Adjust the length of the Chain between the Lat Bar and the Short Cable so the Lat Bar is in the correct starting position for the exercise to be performed.**

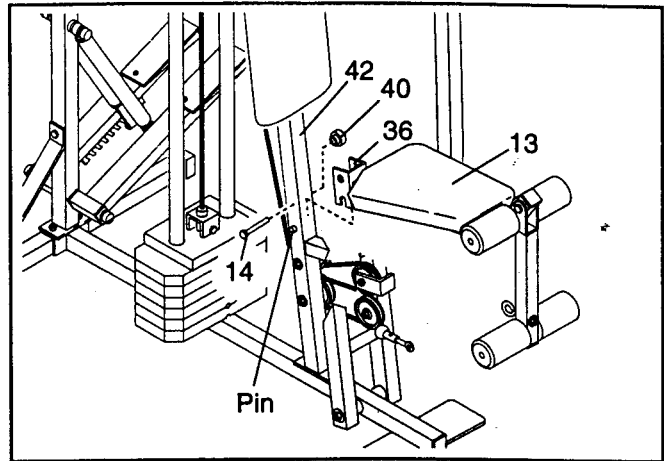
The Nylon Strap (39) (not shown) can be attached in the same manner.



ATTACHING AND REMOVING THE SEAT

Set the bracket on the Seat Frame (36) onto the indicated pins on the Front Upright (42). Attach the Seat Frame to the Front Upright with the 5/16" x 2 3/4" Carriage Bolt (14) and the Seat Knob (40).

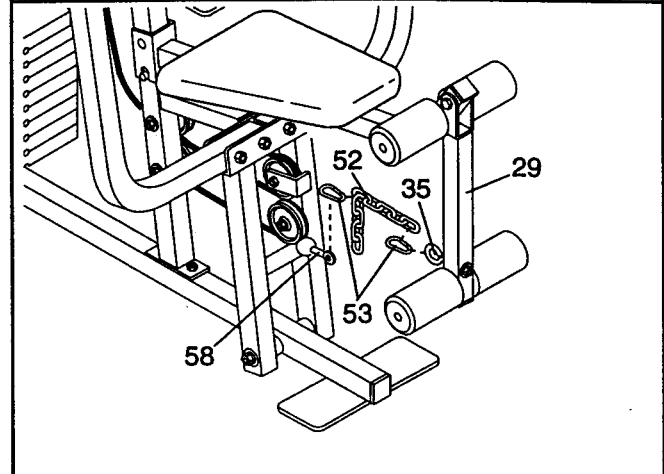
For some exercises, the Seat (13) must be removed. First, be sure that the chain is not attached to the leg lever. Next, remove the Seat Knob (40) and the 5/16" x 2 3/4" Carriage Bolt (14) from the Seat Frame (36). Lift the Seat Frame off the Front Upright (42).



ATTACHING THE LEG LEVER TO THE LOW PULLEY STATION

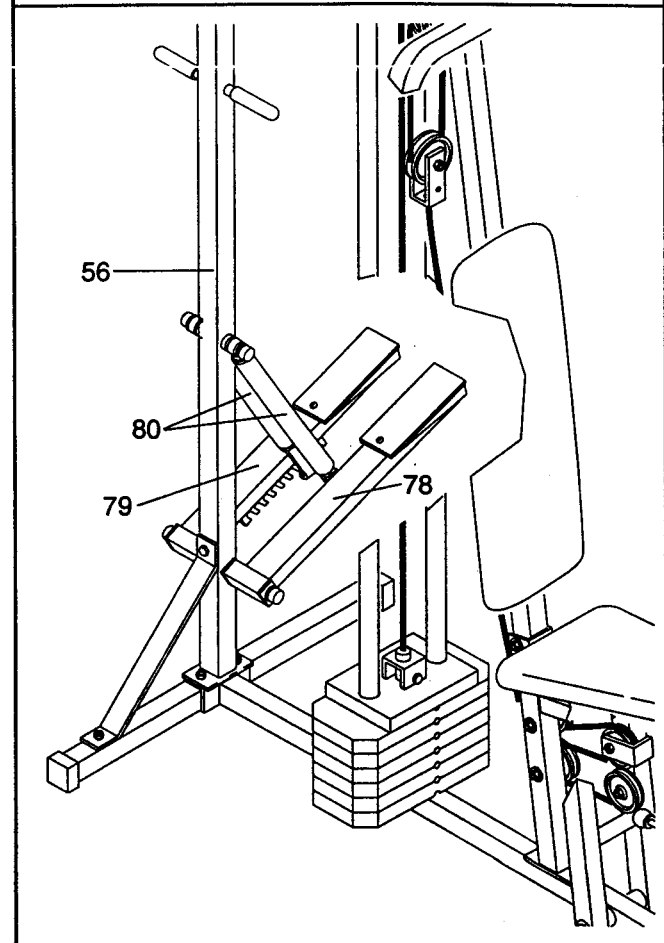
To use the Leg Lever (29), the seat must be attached to the front upright (see ATTACHING AND REMOVING THE SEAT above).

Attach one end of the Chain (52) to the Short Cable (58) with a Cable Clip (53). Attach the other end of the Chain to the Eyebolt (35) with a Cable Clip.



CHANGING THE STEPPING RESISTANCE

To change the stepping resistance, first lift the Left and Right Pedals (78, 79) off the hooks at the lower ends of the Resistance Cylinders (80). Move the hooks to different slots under the Pedals. **Make sure that the hooks are fully inserted into the same slots on both Pedals.** The farther the hooks are moved from the Rear Upright (56), the greater the resistance will be. **WARNING: The Resistance Cylinders become very hot during use. Allow the Resistance Cylinders to cool before touching them.**



WEIGHT RESISTANCE CHART

This chart shows the approximate weight resistance at each station. "Top" refers to the 6.5 lb. top weight. The other numbers refer to the 12.5 lb. weight plates. Weight resistance shown for the butterfly arm station is for each butterfly arm.

WEIGHT PLATES	PRESS ARM (lbs.)	BUTTERFLY ARM (lbs.)	LEG LEVER (lbs.)	HIGH PULLEY (lbs.)	LOW PULLEY (lbs.)
Top	20	10	15	14	24
1	45	22	36	28	54
2	70	33	54	44	82
3	99	42	75	60	115
4	128	48	96	72	147
5	153	60	115	90	175
6	184	69	137	103	209

The actual resistance at each weight station may vary due to differences in individual weight plates, as well as friction between the cables, pulleys, and weight guides.

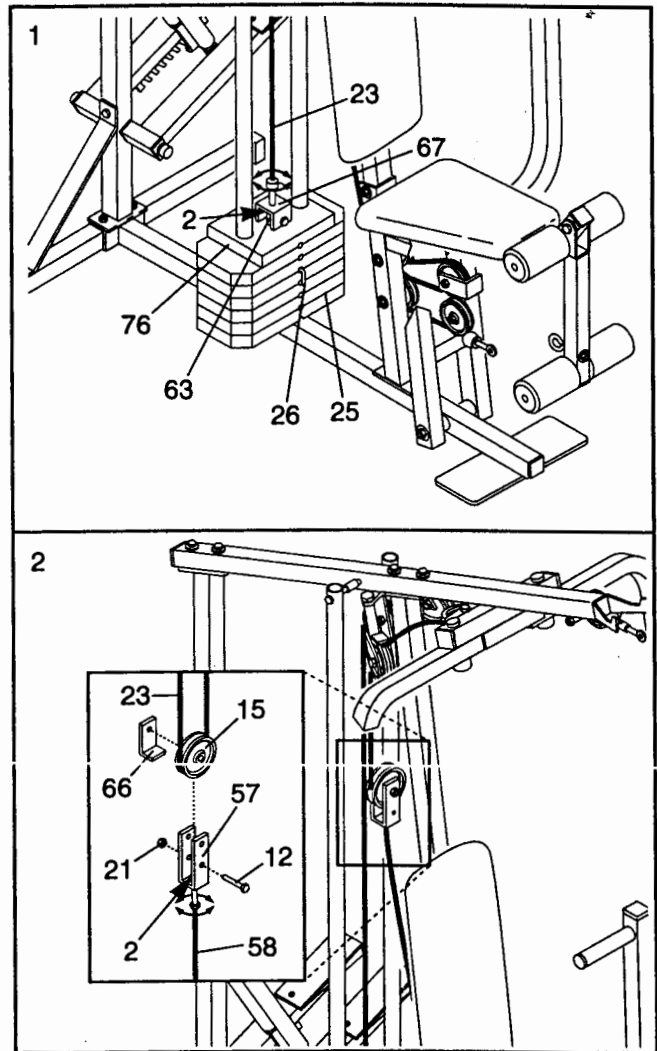
TROUBLE-SHOOTING AND MAINTENANCE

Inspect and tighten all parts often and replace any worn parts immediately. The home gym system can be cleaned using a damp cloth and mild non-abrasive detergent. Do not use solvents.

TIGHTENING THE CABLES

Woven cable, the type of cable used on the home gym system, can stretch slightly when it is first used. If there is slack in the cables before resistance is felt, the cables should be tightened. **IMPORTANT: The Weight Pin (26) must be inserted under the middle Weight (25) before the cables can be tightened.** Slack can be removed from the cables three different ways:

- See drawing 1. Tighten the 1/4" Nylon Locknut (2) at the end of the Long Cable (23). To do this you may need to remove the Small "U" -Bracket (67) from the Weight Tube (63). Make sure that the cables are not too tight, or the Top Weight (76) will be lifted off the weight stack.
- See drawing 2. Tighten the 1/4" Nylon Locknut (2) at the end of the Short Cable (58). To do this you may need to remove the 3 1/2" Pulley (15) from the Long "U"-Bracket (57). Make sure that the cables are not too tight, or the Top Weight (76) will be lifted off the weight stack.
- See drawing 2. Move the 3 1/2" Pulley (15) to the other hole in the Long "U"-Bracket (57). Remove the 3/8" Nylon Locknut (21) and the 3/8" x 2" Bolt (12) from the Cable Trap (66), Pulley, and Long "U"-Bracket. Re-attach the Pulley and Cable Trap. Be sure that the Cable trap is in the proper position and that the Cable and Pulley move smoothly.

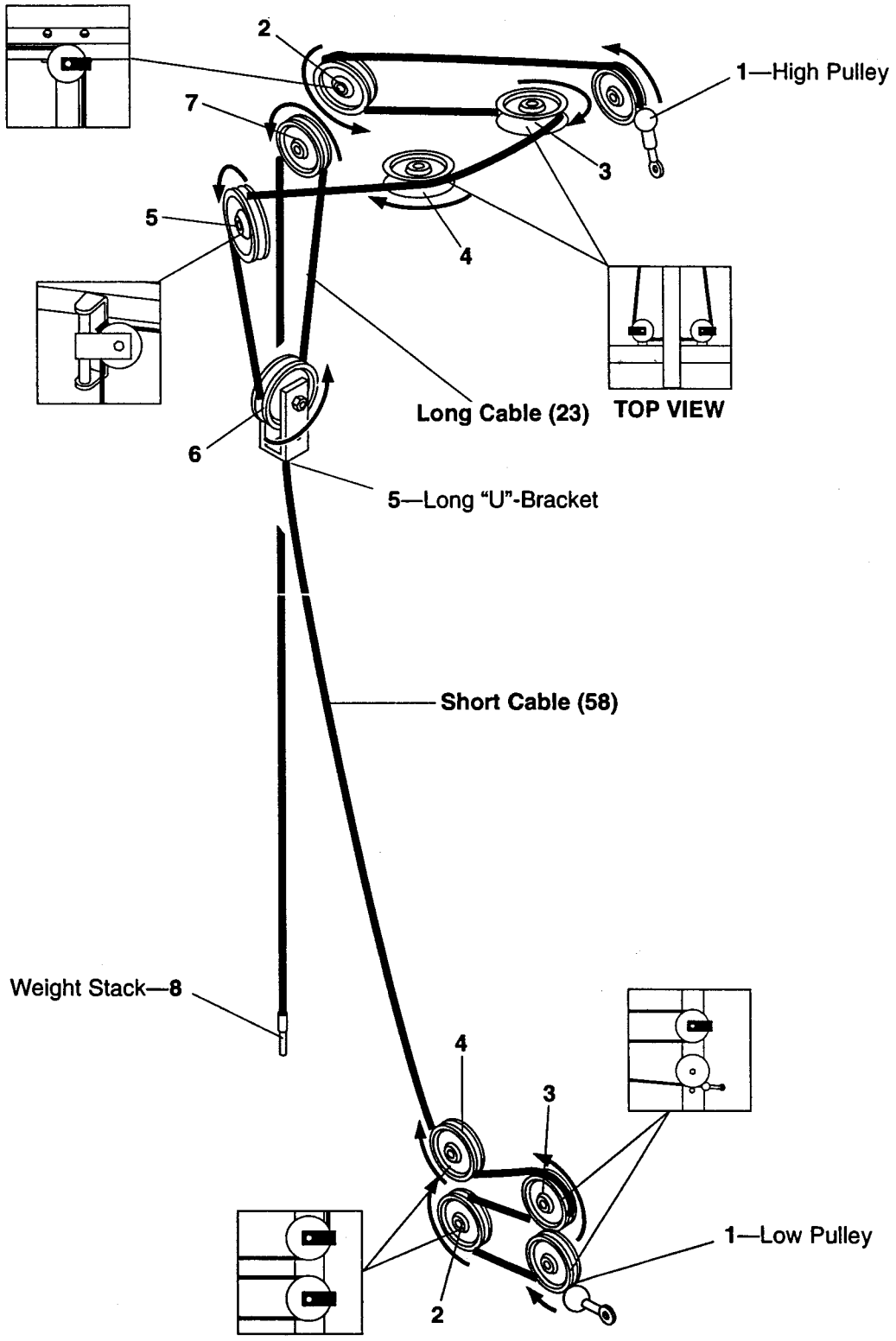


Note: If a cable tends to slip off the pulleys often, the cable may have become twisted. Remove the cable and re-install it.

If the cables need to be replaced, see ORDERING REPLACEMENT PARTS on the back cover of this manual.

CABLE DIAGRAM

The cable diagram below shows the proper routing of the Short Cable (58) and the Long Cable (23). Use the diagram to be sure that the two cables and the cable traps have been assembled correctly. If the cables have not been correctly routed, the home gym system will not function properly and damage may occur. The numbers show the correct route for each cable. The starting and ending points of each cable are labeled. **Be sure that the cable traps do not touch or bind the cables.**



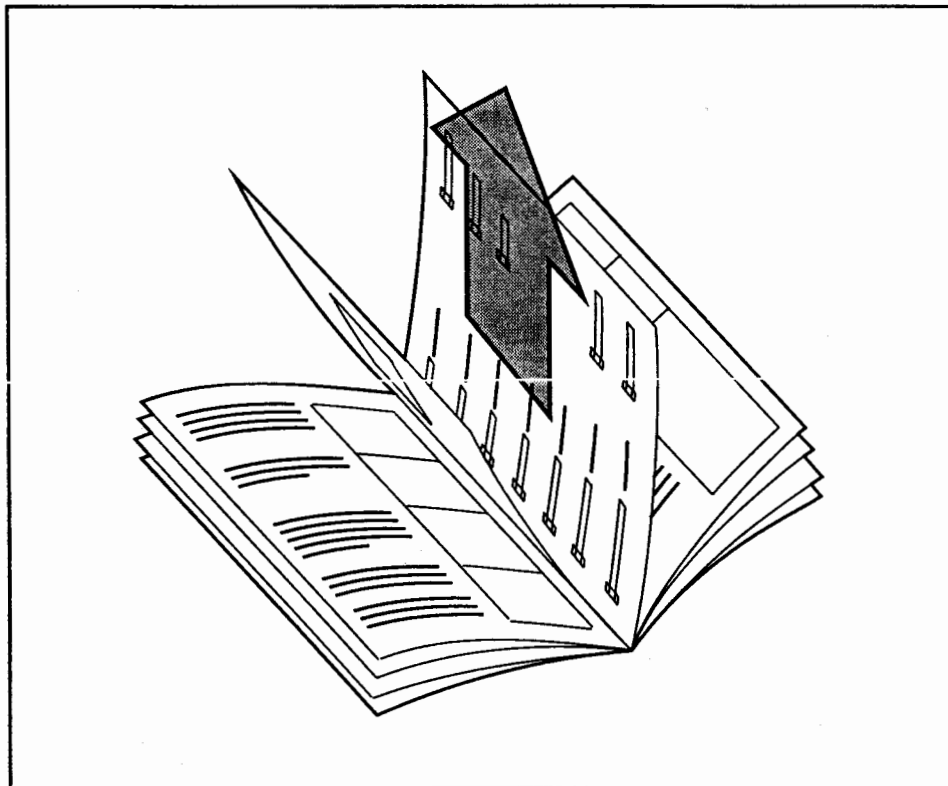
ORDERING REPLACEMENT PARTS

To order replacement parts, simply call our Customer Service Department toll-free at 1-800-999-3756, Monday through Friday, 6 a.m. until 6 p.m. Mountain Time (excluding holidays). To help us assist you, please be prepared to give the following information:

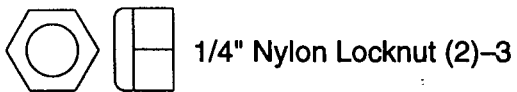
- The **MODEL NUMBER** of the product (WESY85151).
- The **NAME** of the product (WEIDER® 8515 Home Gym System).
- The **SERIAL NUMBER** of the product (see the front cover of this manual).
- The **KEY NUMBER** and **DESCRIPTION** of the part(s) (see the **PART LIST** and **EXPLODED DRAWING** attached at the center of this manual).

REMOVE THIS PART IDENTIFICATION CHART FROM THE MANUAL

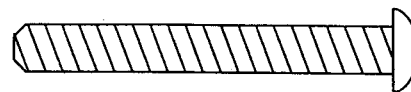
This chart is provided to help you identify the small parts used in assembly. **Important: Some parts may have been pre-assembled for shipping purposes. If you cannot find a part in the parts bags, check to see if it has been pre-assembled.** The number in parenthesis below each part refers to the key number of the part. The second number refers to the quantity needed for assembly.



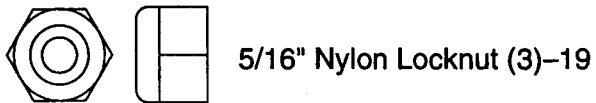
IMPORTANT: The assembly is divided into four stages: 1) frame assembly, 2) press and butterfly arm assembly, 3) cable and pulley assembly, and 4) seat and backrest assembly. The hardware for each stage is packaged separately. **WAIT UNTIL YOU BEGIN EACH ASSEMBLY STAGE TO OPEN THAT PARTS BAG.**



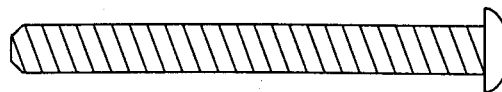
1/4" Nylon Locknut (2)-3



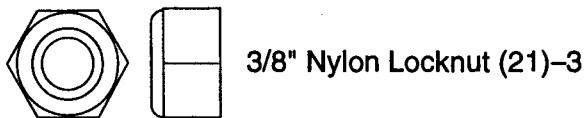
1/4" x 2" Machine Screw (24)-1



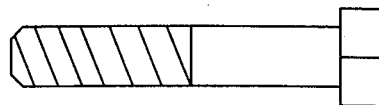
5/16" Nylon Locknut (3)-19



1/4" x 2 1/2" Screw (43)-2



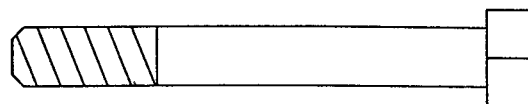
3/8" Nylon Locknut (21)-3



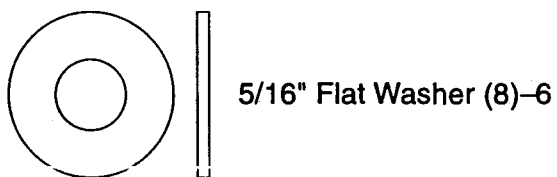
5/16" x 1 3/4" Bolt (72)-1



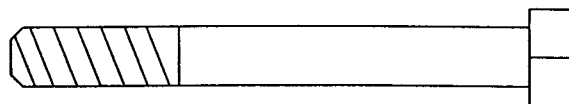
1/4" Flat Washer (10)-6



5/16" x 2 1/2" Bolt (22)-4



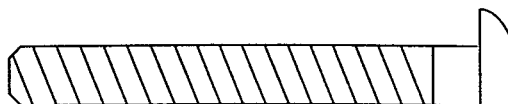
5/16" Flat Washer (8)-6



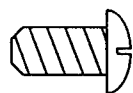
5/16" x 2 3/4" Bolt (11)-5



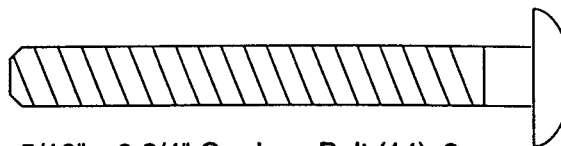
1/2" Metal Screw (77)-2



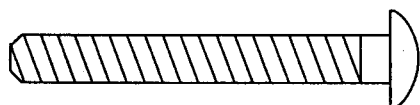
5/16" x 2 1/2" Carriage Bolt (1)-3



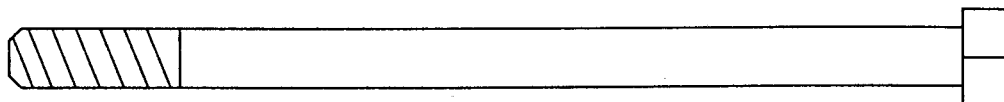
1/4" x 1/2" Screw (18)-2



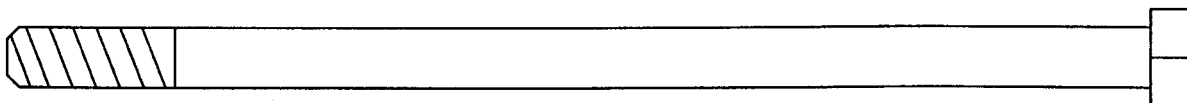
5/16" x 2 3/4" Carriage Bolt (14)-3



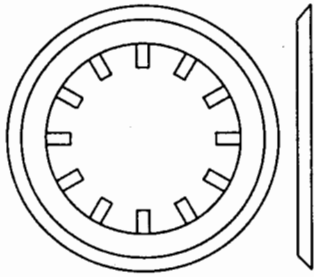
1/4" x 2" Carriage Bolt (38)-1



5/16" x 5" Bolt (68)-1



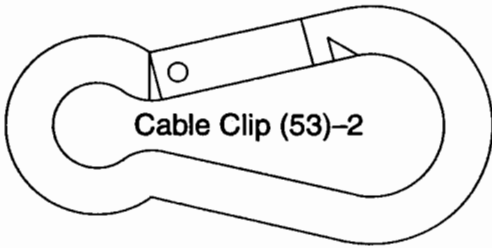
5/16" x 6" Bolt (60)-1



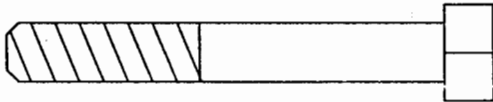
1" Retainer (69)-6



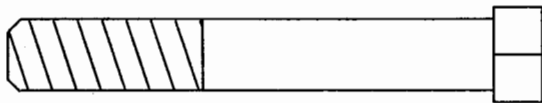
5/8" Retainer (84)-2



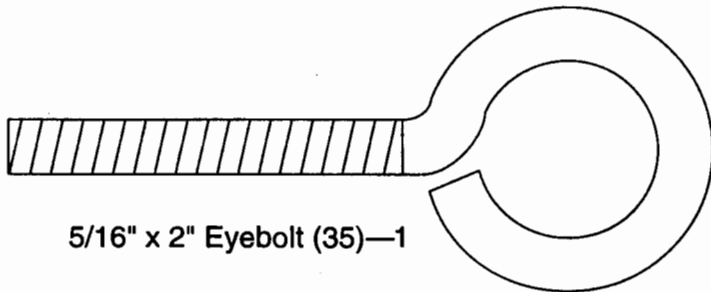
Cable Clip (53)-2



5/16" x 2 1/4" Bolt (33)-1



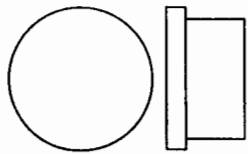
3/8" x 2 1/2" Bolt (7)-1



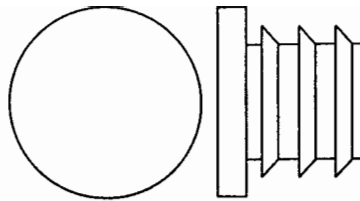
5/16" x 2" Eyebolt (35)-1



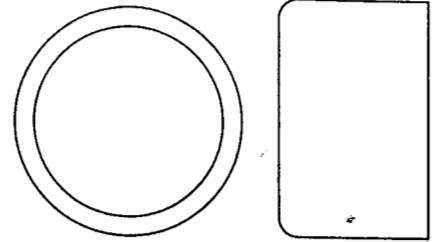
3/8" x 8" Bolt (59)-1



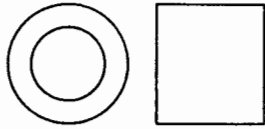
3/4" Round Inner Cap (34)-4



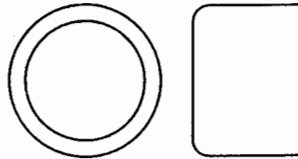
1" Round Inner Cap (49)-4



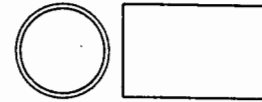
1" Round Cover Cap (70)-4



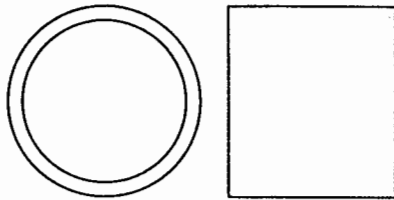
5/8" x 9/16" Spacer (73)-1



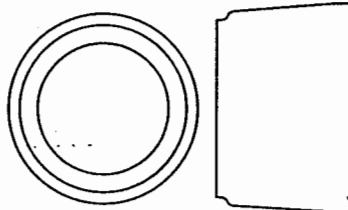
5/8" Round Cover Cap (85)-2



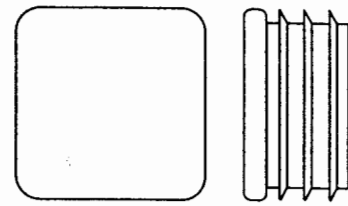
1/2" x 3/4" Spacer (61)-2



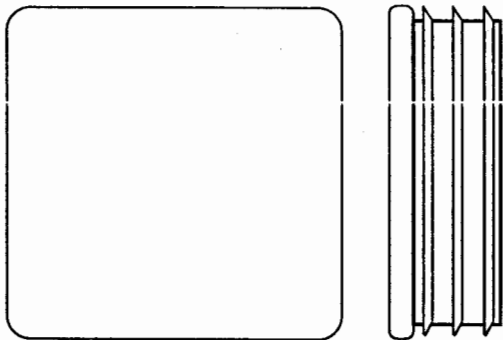
1" x 7/8" Plastic Bushing (75)-2



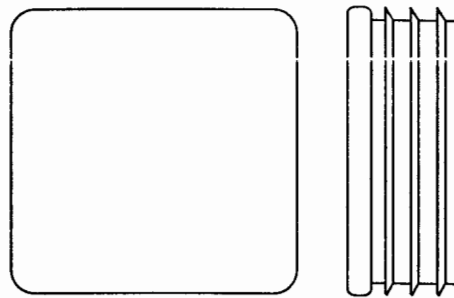
5/8" Spacer (86)-2



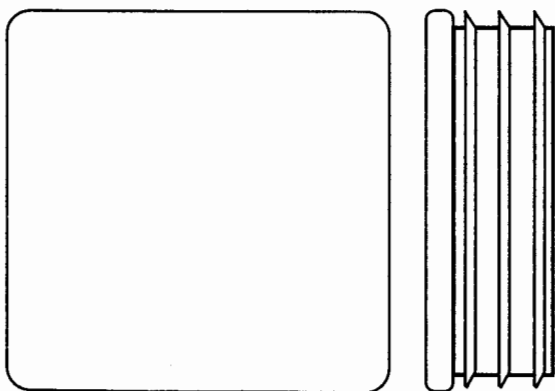
1" Square Inner Cap (65)-1



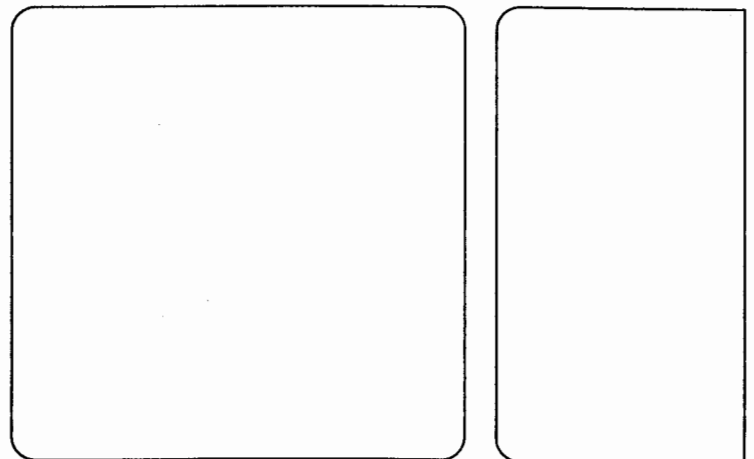
1 3/4" Square Inner Cap (44)-6



1 1/2" Square Inner Cap (32)-2

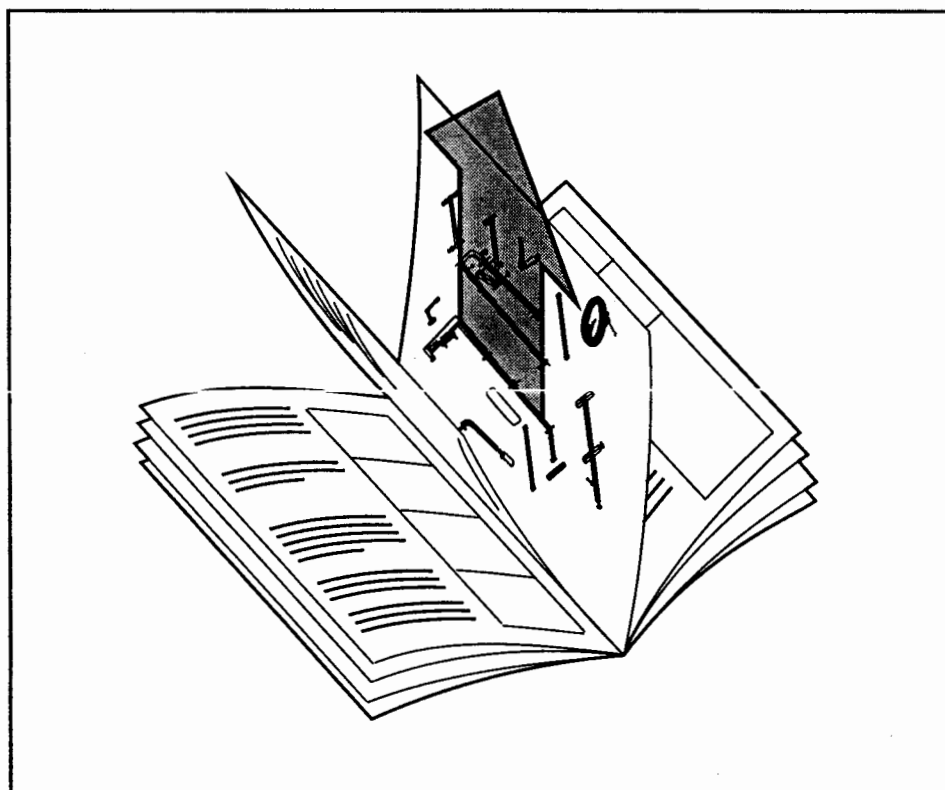


2" Square Inner Cap (27)-2



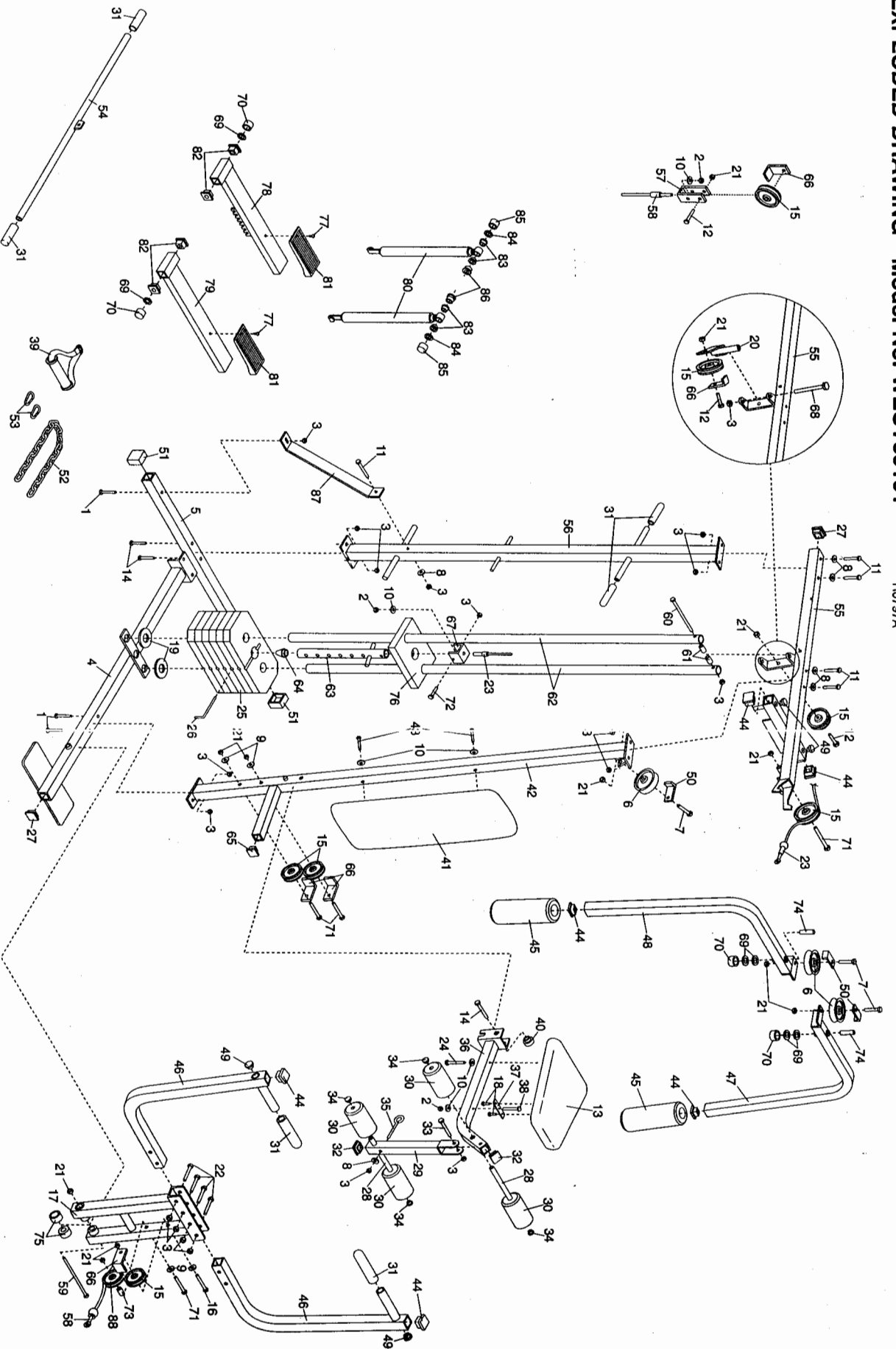
2" Square Outer Cap (51)-2

**REMOVE THIS PART LIST/EXPLODED
DRAWING FROM THE MANUAL!**



EXPLODED DRAWING—Model No. WESY85151

R0797A



PART LIST—Model No. WESY85151

R0797A

Key No.	Qty.	Description	Key No.	Qty.	Description
1	3	5/16" x 2 1/2" Carriage Bolt	46	2	Press Arm
2	3	1/4" Nylon Locknut	47	1	Left Arm
3	19	5/16" Nylon Locknut	48	1	Right Arm
4	1	Base	49	4	1" Round Inner Cap
5	1	Stabilizer	50	3	Long Cable Trap
6	3	"V"-Pulley	51	2	2" Square Outer Cap
7	3	3/8" x 2 1/2" Bolt	52	1	Chain
8	6	5/16" Flat Washer	53	2	Cable Clip
9	4	3/8" Flat Washer	54	1	Lat Bar
10	6	1/4" Flat Washer	55	1	Top Frame
11	5	5/16" x 2 3/4" Bolt	56	1	Rear Upright
12	3	3/8" x 2" Bolt	57	1	Long "U"-Bracket
13	1	Seat	58	1	Short Cable
14	3	5/16" x 2 3/4" Carriage Bolt	59	1	3/8" x 8" Bolt
15	7	3 1/2" Pulley	60	1	5/16" x 6" Bolt
16	1	3/8" x 3 1/2" Bolt	61	2	1/2" x 3/4" Spacer
17	1	Press Frame	62	2	Weight Guide
18	2	1/4" x 1/2" Screw	63	1	Weight Tube
19	2	Weight Bumper	64	1	Weight Tube Bumper
20	1	Pulley Bracket	65	1	1" Square Inner Cap
21	12	3/8" Nylon Locknut	66	5	Cable Trap
22	4	5/16" x 2 1/2" Bolt	67	1	Small "U"-Bracket
23	1	Long Cable	68	1	5/16" x 5" Bolt
24	1	1/4" x 2" Screw	69	6	1" Retainer
25	6	Weight	70	4	1" Round Cover Cap
26	1	Weight Pin	71	4	3/8" x 3 3/4" Bolt
27	2	2" Square inner Cap	72	1	5/16" x 1 3/4" Bolt
28	2	12 1/2" Pad Tube	73	1	5/8" x 9/16" Spacer
29	1	Leg Lever	74	2	1 1/4" x 2 1/2" Plastic Bushing
30	4	5 1/2" Pad	75	2	1" x 7/8" Plastic Bushing
31	6	Hand Grip	76	1	Top Weight
32	2	1 1/2" Square Inner Cap	77	2	1/2" Metal Screw
33	1	5/16" x 2 1/4" Bolt	78	1	Right Pedal
34	4	3/4" Round Inner Cap	79	1	Left Pedal
35	1	5/16" x 2" Eyebolt	80	2	Resistance Cylinder
36	1	Seat Frame	81	2	Pedal Cover
37	1	Seat Plate	82	4	1 1/2" Bushing
38	1	1/4" x 2" Carriage Bolt	83	4	Resistance Cylinder Bushing
39	1	Nylon Strap	84	2	5/8" Retainer
40	1	Seat Knob	85	2	5/8" Round Cover Cap
41	1	Backrest	86	2	5/8" Spacer
42	1	Front Upright	87	1	Brace
43	2	1/4" x 2 1/2" Screw	88	1	3 1/2" Low Pulley
44	6	1 3/4" Square Inner Cap	#	1	User's Manual
45	2	10" Pad	#	1	Exercise Poster

Note: "#" indicates a non-illustrated part. Specifications are subject to change without notice. See the back cover for information about ordering replacement parts.