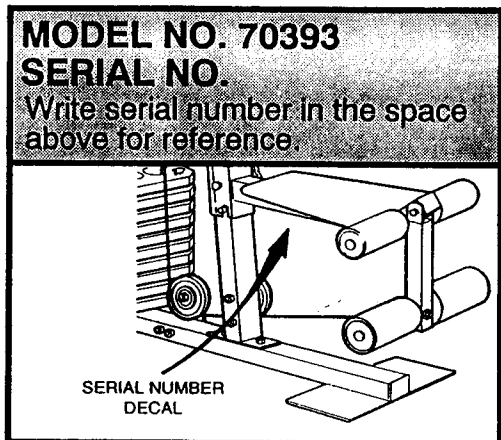
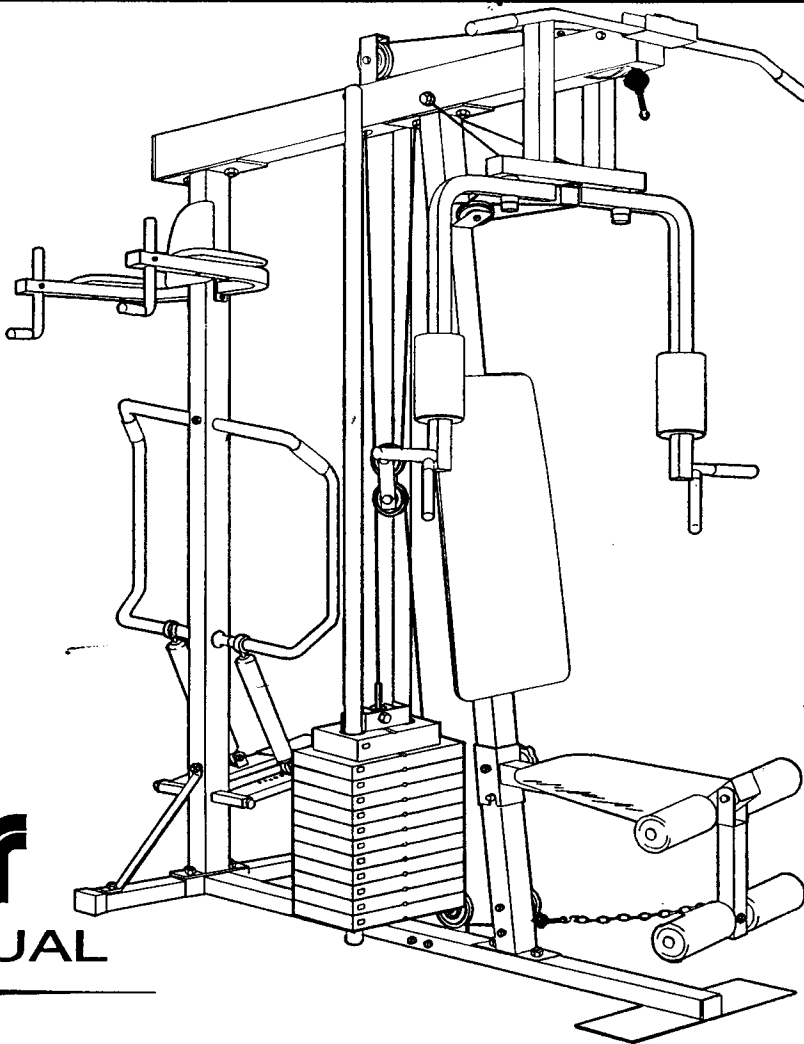


CTS2000 CLUB SERIES

MULTI-STATION HOME GYM SYSTEM 70393



APPROXIMATE WEIGHT:
286 LBS.
APPROXIMATE SET UP DIMENSIONS:
59"L X 47"W X 76"H



weider

OWNER'S MANUAL

MADE IN CANADA

Congratulations on selecting a WEIDER Fitness Product. You have just joined thousands of health conscious men and women in the growing family of WEIDER customers.

We are committed to providing excellent service and customer satisfaction. We invite you to call us with any questions you may have concerning this product. Our customer service representatives are here to serve you and provide helpful information.

Call us toll -free at 1-800-225-0653, Monday-Friday 7:00 AM - 6:00 PM CST.
Extended Seasonal Hours: (Dec. 1 - Feb. 28) Monday-Friday 7:00 AM - 9:00 PM;
Saturday 9:00 AM - 5:00; Sunday 12:00 PM - 4:00 PM.

Thank you again for choosing WEIDER. We appreciate having you as a customer and hope this product will provide years of enjoyable service.

PRINTED IN CANADA

NN131070393D

WEIDER SPORTING GOODS, INC.
900 West St. John, Olney, IL 62450 USA

TABLE OF CONTENTS

| | |
|------------------------------|-------|
| Table of Contents | 1 |
| Important Safety Precautions | 1 |
| Introduction | 2 |
| Bolt Scale | 3 |
| Maintenance | 4 |
| Part List | 5-7 |
| Ordering Parts | 8 |
| Cable Routing | 22 |
| Assembly Steps | 9-29 |
| How to use your Home Gym | 30-31 |
| Conditioning Guidelines | 32-33 |
| Warranty | 34 |

IMPORTANT SAFETY PRECAUTIONS

WARNING: To reduce the risk of serious injury, read the important safety precautions before using this equipment.

CAUTION: DO NOT ASSEMBLE OR USE THIS EQUIPMENT ON A NON-MAR SURFACE.

1. Read all instructions in this manual before using this equipment.
2. Use this equipment only as described in this Assembly Manual.
3. Position the Home Gym on a level surface.
4. Inspect and tighten all parts each time this equipment is used. Replace any worn parts immediately.
5. Always hold the handle bars when exercising.
6. Keep hands away from moving parts other than the designated handles.
7. Keep small children away from this equipment during use.
8. Do not allow small children to play on this equipment unattended.
9. Wear appropriate workout attire, including running or aerobic shoes.
10. Do not touch the Resistance Cylinders after exercising. The Cylinders may reach high temperatures during use.

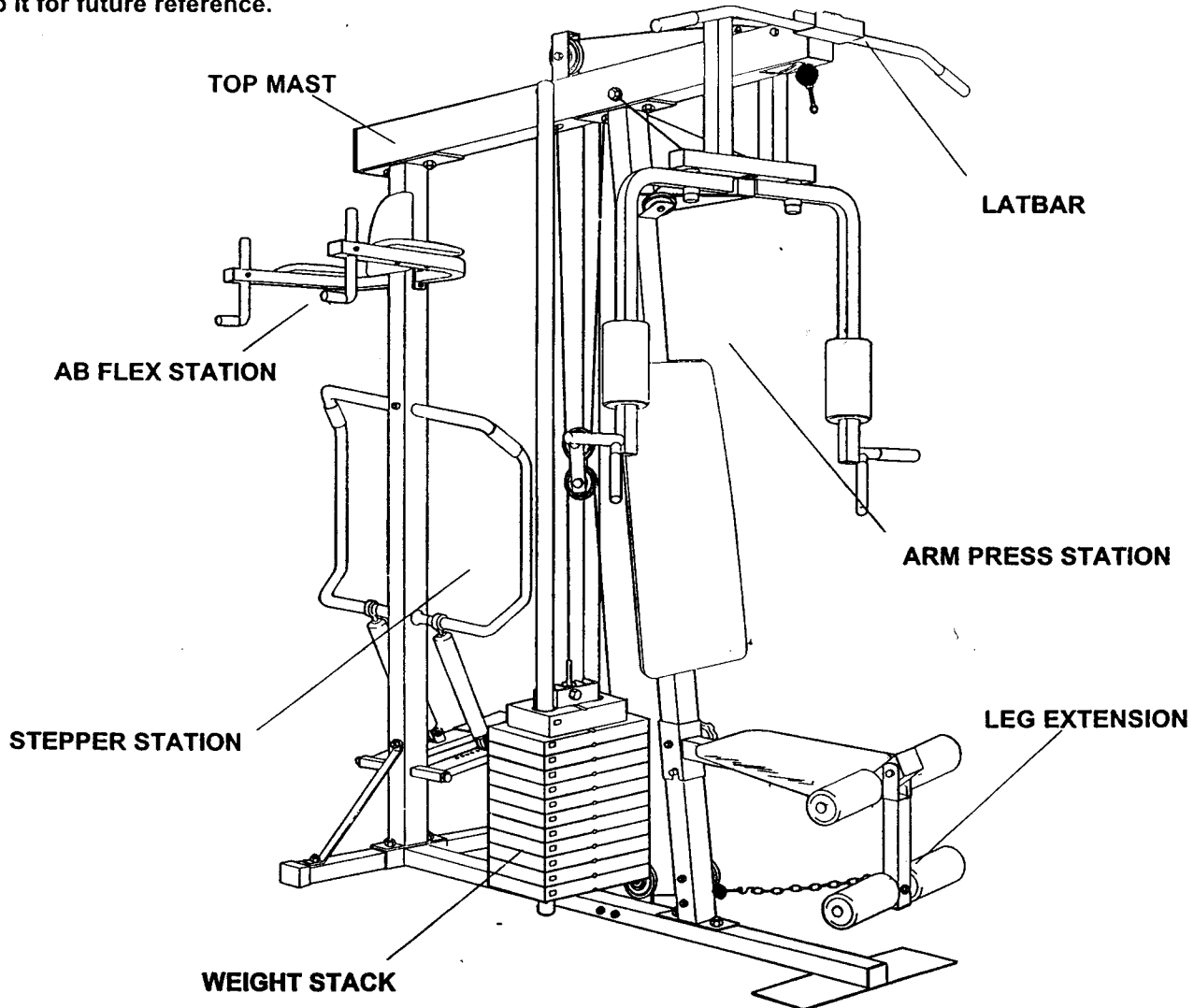
WARNING: Before beginning this or any exercise program, consult your physician. This is especially important for individuals over the age of 35 or persons with pre-existing health problems. Read all instructions before using. Weider assumes no responsibility for personal injury or property damage sustained by or through the use of this product.

INTRODUCTION

Thank you for choosing the WEIDER CTS 2000 CLUB SERIES. Your home gym is designed and engineered to give you many hours of weight and aerobic conditioning.

This manual is provided to help you understand the simple assembly, adjustments, and use of the Home Gym. In addition to assembly instructions it also contains maintenance tips and parts information.

Please take the time to read all the information contained in this manual and after assembly is completed keep it for future reference.



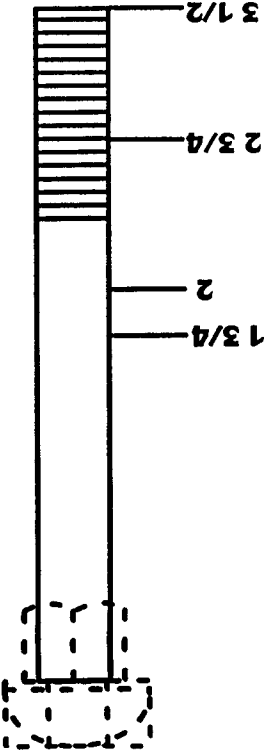
MAINTENANCE TIPS

Keeping your WEIDER CTS 2000 CLUB SERIES in good condition will help insure you many hours of safe, enjoyable exercise. Following an easy maintenance routine will prevent premature wear and unnecessary parts replacement.

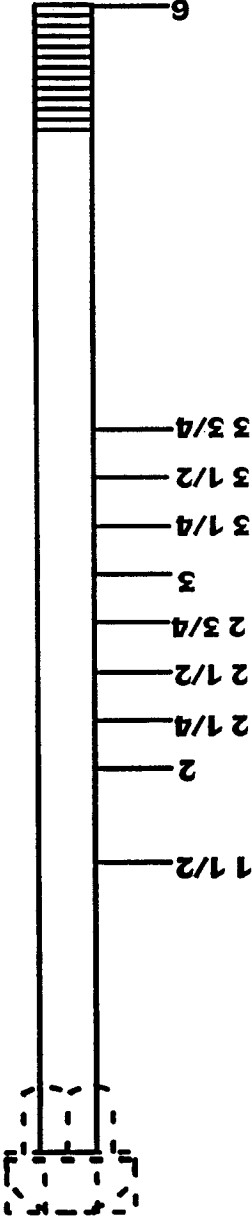
1. Check fasteners, nuts, bolts, and caps to see that they are tight and fitted properly.
2. Lubricate all moving parts frequently to keep handles and other parts moving smoothly and eliminate squeaks and excessive noise.
3. Painted surfaces can be cleaned with a soft cloth and mild, non-abrasive detergent.

70393 HARDWARE SCALING SHEET

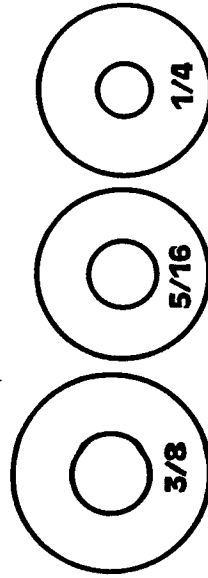
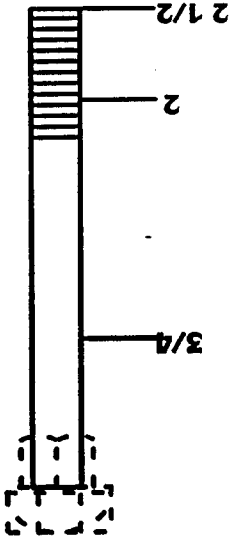
Scale can be used for 3/8" Hex Head Bolts, Carriage Bolts, or Round Head Screws.



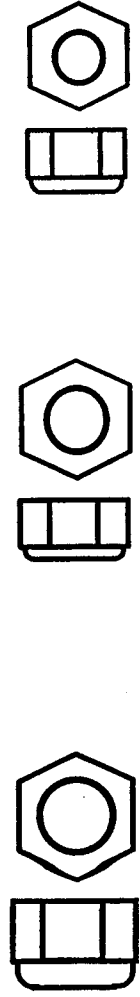
Scale can be used for 5/16" Hex Head Bolts, Carriage Bolts, and Round Head Screws



Scale can be used for 1/4" Hex Head Bolts, Carriage Bolts, and Round Head Screws



FLAT WASHERS

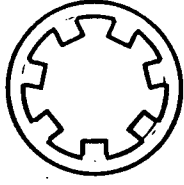
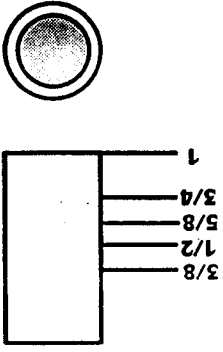


3/8 NYLON LOCK NUT

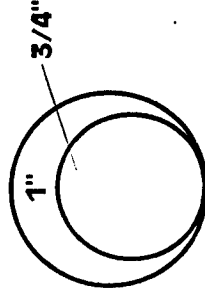
5/16 NYLON LOCK NUT

1/4 NYLON LOCK NUT

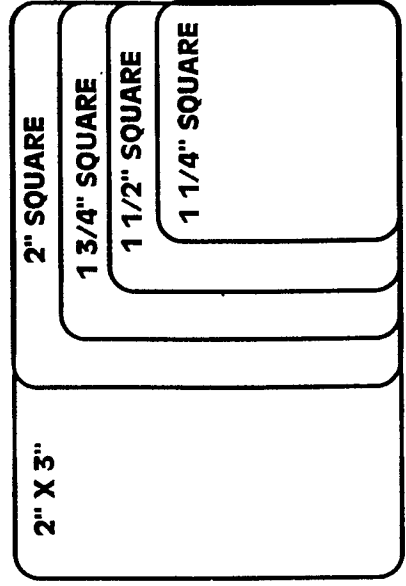
3/8" ID BUSHINGS



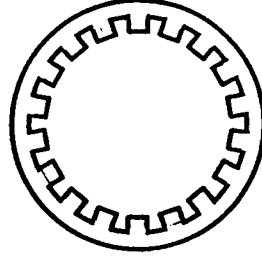
5/8" SPRING RETAINER



ROUND PLASTIC CAPS



PLASTIC CAPS



1" SPRING RETAINER

ORDERING PARTS

CONGRATULATIONS on selecting a **WEIDER FITNESS PRODUCT**. You have joined thousands of health conscious men and women in the growing family of **WEIDER CUSTOMERS**.

TO INSURE THAT YOU WILL GET ALL OF THE PRIVILEGES AND PROTECTION THAT COME WITH YOUR PURCHASE, PLEASE COMPLETE YOUR *OWNER'S REGISTRATION CARD* WITHIN THE NEXT 10 DAYS.

Simply mail you ***OWNER'S REGISTRATION CARD*** to receive all benefits to which you are entitled.

WARRANTY VERIFICATION : Your prompt registration verifies your right to protection under the terms and conditions of your warranty.

OWNER CONFIRMATION : Your completed **OWNER'S REGISTRATION CARD** serves as confirmation of ownership in the event of product loss or theft.

1. YOUR OWNER'S I.D. CARD VERIFIES THE PRODUCT YOU HAVE PURCHASED, YOUR NAME, ADDRESS, AND THE DATE OF YOUR PURCHASE.

2. PARTS MAY BE ORDERED USING THE PARTS ORDER CARD WHICH IS INCLUDED WITH THIS PRODUCT OR BY CALLING OUR PRODUCT SERVICE NUMBER: 1-800-225-0653.

3. BEFORE ORDERING PARTS BY PHONE HAVE READY THE FOLLOWING INFORMATION TO EXPEDITE YOUR ORDER:

- 1. Name of the Product (CTS 2000 CLUB SERIES)**
- 2. Model Number of the Product (70393)**
- 3. Ordering Number of the Part (See Parts List Page)**
- 4. Description of the Part from the Parts List Page.**
- 5. Country of the Manufacturer (See Cover)**

THE SAME INFORMATION IS REQUIRED WHEN PLACING YOUR ORDER BY MAIL.

If you need parts or assistance do not return this product to the store, simply contact WEIDER CUSTOMER ASSISTANCE at 1-800-225-0653 Monday through Friday 7 a.m. to 6 p.m. CST.

All parts and service inquiries should be directed to: WEIDER SPORTING GOODS, Parts Service Department, 900 West ST. John Street, Olney Illinois. 62450.

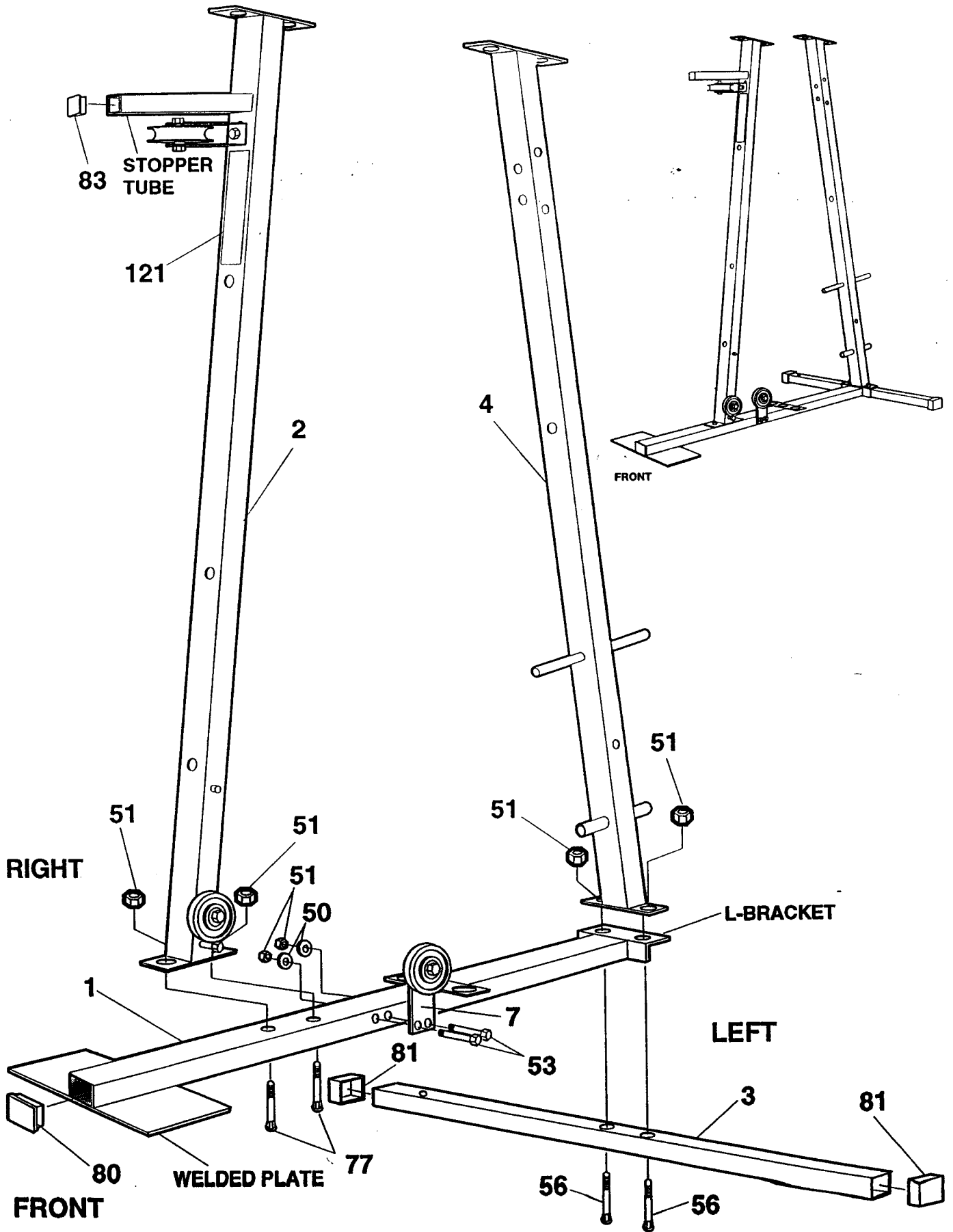
IMPORTANT

DURING THE FOLLOWING ASSEMBLY STEPS, YOU WILL FIND ASSEMBLY INSTRUCTIONS SHADED IN BOXES SUCH AS THIS. THESE ASSEMBLIES HAVE BEEN DONE AT THE FACTORY FOR YOUR CONVENIENCE. SEVERAL OF THESE PRE-ASSEMBLED STEPS HAVE ONLY BEEN FASTENED FINGER TIGHT. YOU WILL BE INSTRUCTED TO TIGHTEN THESE ASSEMBLIES DURING THE STEP INSTRUCTIONS. THE ENTIRE ASSEMBLY IS SHOWN AND WRITTEN OUT SO THAT ALL PARTS INCLUDED IN THAT ASSEMBLY CAN BE MORE EASILY SEEN.

STEP 1 FRAME ASSEMBLY

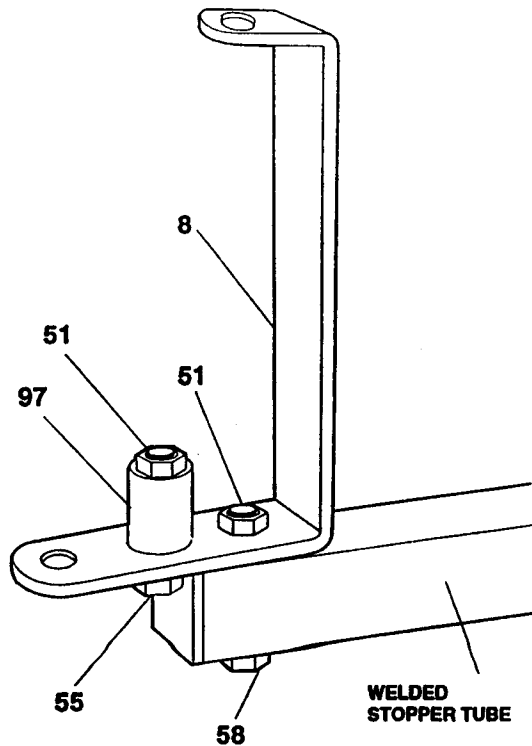
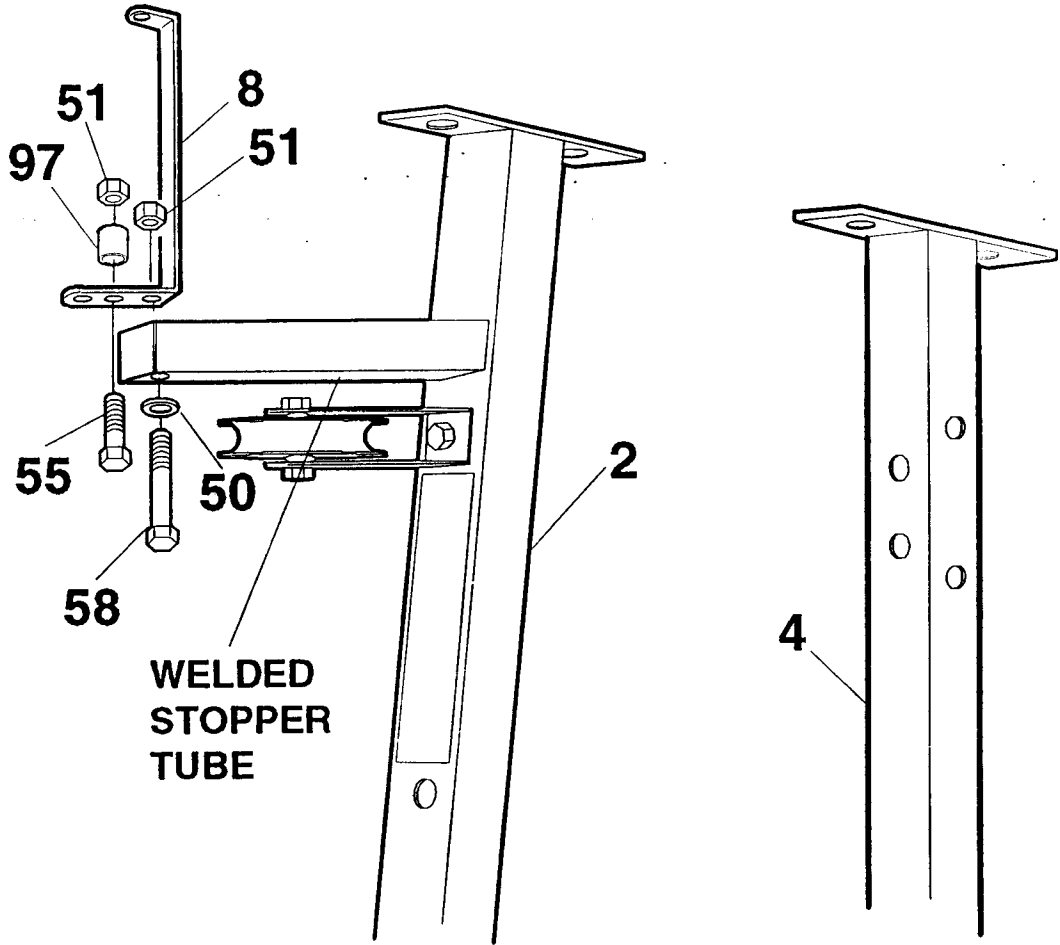
| PART NAME | QTY |
|-------------------------------------|-----|
| 50 5/16" FLAT WASHER | 3 |
| 51 5/16" NYLON LOCK NUT | 8 |
| 53 5/16" X 2 3/4" HEX HEAD BOLT | 2 |
| 55 5/16" X 1 1/2" HEX HEAD BOLT | 1 |
| 56 5/16" X 2 3/4" CARRIAGE BOLT | 2 |
| 58 5/16" X 2" HEX HEAD BOLT | 1 |
| 77 5/16" X 2 1/2" CARRIAGE BOLT | 2 |
| 80 2" SQUARE PLASTIC INSERT CAP | 1 |
| 81 2" SQUARE RUBBER COVER CAP | 2 |
| 83 1 1/4" SQUARE PLASTIC INSERT CAP | 1 |
| 97 1" LONG PLASTIC SLEEVE | 1 |

- Cap the front end of the BASE FRAME (1) with a 2" SQUARE PLASTIC INSERT CAP (80).
- With the BASE FRAME (1) oriented so the welded plate at the front of the Base will be to the ground when assembled, fasten the ARM PRESS UPRIGHT (2) to the front section of the Base with two 5/16" X 2 1/2" CARRIAGE BOLTS (77) and 5/16" NYLON LOCK NUTS (51). Note that the UPRIGHT (2) should tilt back toward the rear of the Base when assembled.
- Select the 2" SQUARE X 38" LONG REAR BASE TUBE (3).
- Cap each end of the REAR BASE TUBE (3) with a 2" SQUARE RUBBER COVER CAP (81).
- Position the REAR BASE TUBE (3) into the "L" bracket of the BASE FRAME (1) so the longest section of the REAR BASE TUBE (3) is to the right (as you face the front of the unit). Bolt up through the Rear Base Tube and Bracket with 5/16" X 2 3/4" CARRIAGE BOLTS (56).
- Sit the STEPPER UPRIGHT (4) over the Bolts so the Plate at the top of the Upright slants upward from the back to the front.
- Bolt the BASE FRAME (1) and UPRIGHT (4) securely with 5/16" NYLON LOCK NUTS (51).
- Locate the BASE PULLEY BRACKET (7) with the pre-assembled Pulley. (This is a flat plate 2" X 6" with two holes at one end and a single hole at the other.) Assemble this Bracket to the LEFT side of the BASE FRAME (1) with two 5/16" X 2 3/4" HEX HEAD BOLTS (53). Secure with 5/16" FLAT WASHERS (50) and 5/16" NYLON LOCK NUTS (51).
- Cap the end of the Welded Stopper Tube on the ARM PRESS UPRIGHT (2) with a 1 1/4" SQUARE PLASTIC INSERT CAP (83).
- Remove the STATION 1 DECAL (121) from the backing sheet and position the Decal to the front of the ARM PRESS UPRIGHT (2) below the Welded Stopper Tube.



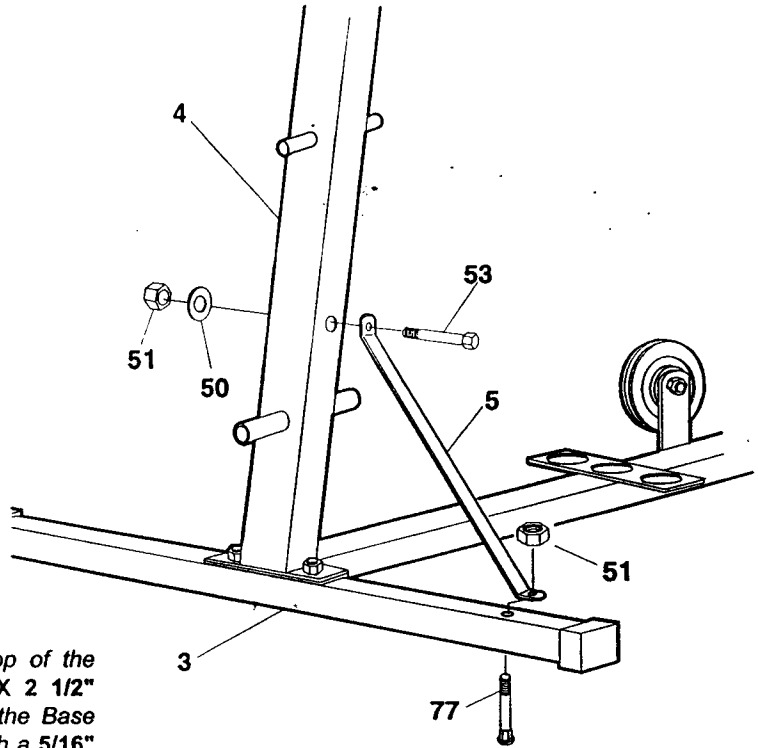
☐ To the Welded Stopper Tube on the front of the ARM PRESS UPRIGHT (2), bolt the SUPPORT BRACE (8) by assembling a 5/16" FLAT WASHER (50) onto a 5/16" X 2" HEX HEAD BOLT (58) and bolting up through the Welded Stopper Tube and then into the hole in the back of the Support. Secure with a 5/16" NYLON LOCK NUT (51).

☐ Insert a 5/16" X 1 1/2" HEX HEAD BOLT (55) up through the center hole in the SUPPORT BRACE (8). Slip a 1" LONG PLASTIC SLEEVE (97) over the Bolt and secure with a 5/16" NYLON LOCK NUT (51).



STEP 2 STEPPER ASSEMBLY

| PART NAME | QTY |
|--|-----|
| 50 5/16" FLAT WASHER | 3 |
| 51 5/16" NYLON LOCK NUT | 5 |
| 53 5/16" X 2 3/4" HEX HEAD BOLT | 1 |
| 54 5/16" X 2 1/2" HEX HEAD BOLT | 1 |
| 55 5/16" X 1 1/2" HEX HEAD BOLT | 2 |
| 62 3/8" FLAT WASHER | 2 |
| 77 5/16" X 2 1/2" CARRIAGE BOLT | 1 |
| 79 1/2" LONG SELF TAPPING SCREW | 2 |
| 82 1" ROUND PLASTIC COVER CAP | 2 |
| 92 1/2" O.D. X 1/2" LONG METAL SPACER | 1 |
| 95 1 1/2" SQUARE PIVOT BUSHING | 4 |
| 96 1" SPRING RETAINER RING | 2 |
| 101 THREADED KNOB - 3/8" | 2 |
| 102 5/8" SPRING RETAINER RING | 2 |
| 103 5/8" I.D. X 1 5/8" FLAIR END BUSHING | 2 |
| 109 1/2" O.D. X 1/4" LONG METAL BUSHING | 1 |



Attach the diagonal STRAP BRACE (5) to the top of the REAR BASE TUBE (3) by bolting with a 5/16" X 2 1/2" CARRIAGE BOLT (77) up through the bottom of the Base Tube and then through the Strap Brace. Fasten with a 5/16" NYLON LOCK NUT (51).

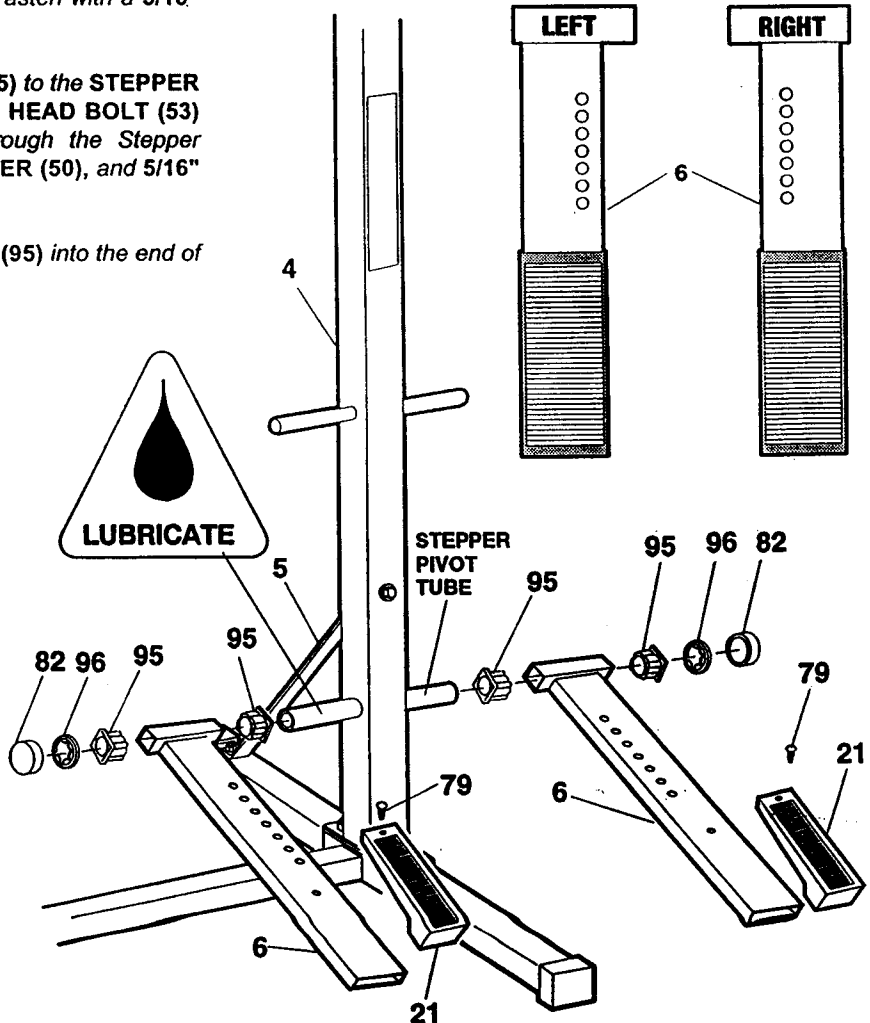
Attach the top end of the STRAP BRACE (5) to the STEPPER UPRIGHT (4) using a 5/16" X 2 3/4" HEX HEAD BOLT (53) to bolt through the Brace and then through the Stepper Upright. Secure with a 5/16" FLAT WASHER (50), and 5/16" NYLON LOCK NUT (51).

Insert 1 1/2" SQUARE PIVOT BUSHINGS (95) into the end of the STEPPER PEDALS (6).

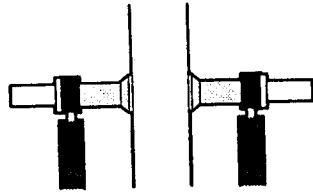
Slide the STEPPER PEDALS (6) onto the 1" Stepper Pivot Tube at the base of the STEPPER UPRIGHT (4). Note that the Pedals should be assembled to the side of the UPRIGHT (4) opposite the STRAP BRACE (5) and the series of holes in each of the PEDALS (6) should be to the inside.

Using a 1" ROUND PLASTIC COVER CAPS (82) as an aid, drive a 1" SPRING RETAINER RING (96) onto the Pivot Tube to secure the PEDALS (6) in place. Note that the teeth in the Spring Retainers are tilted slightly to one side. The teeth should be away from the Pivot Tube as it is driven on. Tap in place with a hammer.

Attach the molded PLASTIC PEDAL TREADS (21) to the top of the STEPPER PEDALS (6) with 1/2" LONG SELF TAPPING PHILLIPS HEAD SCREWS (79).



- Fit a 5/8" I.D. X 1 5/8" FLAIR END PLASTIC BUSHING (103) onto the 5/8" Shock Pivot Tube on the Stepper Upright.



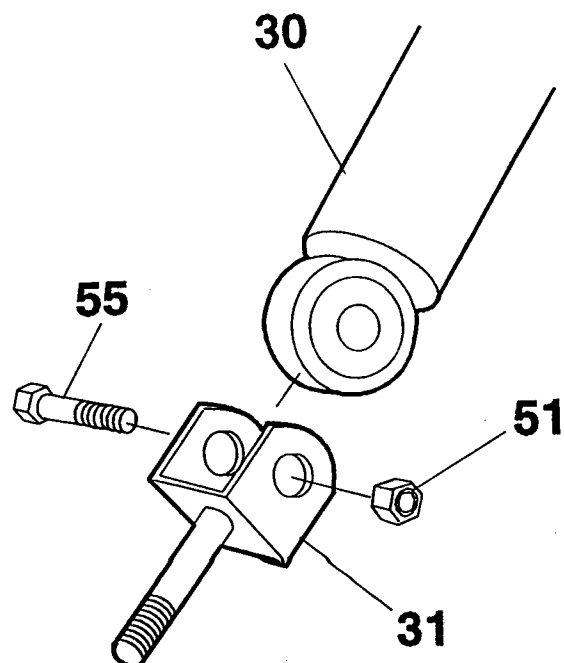
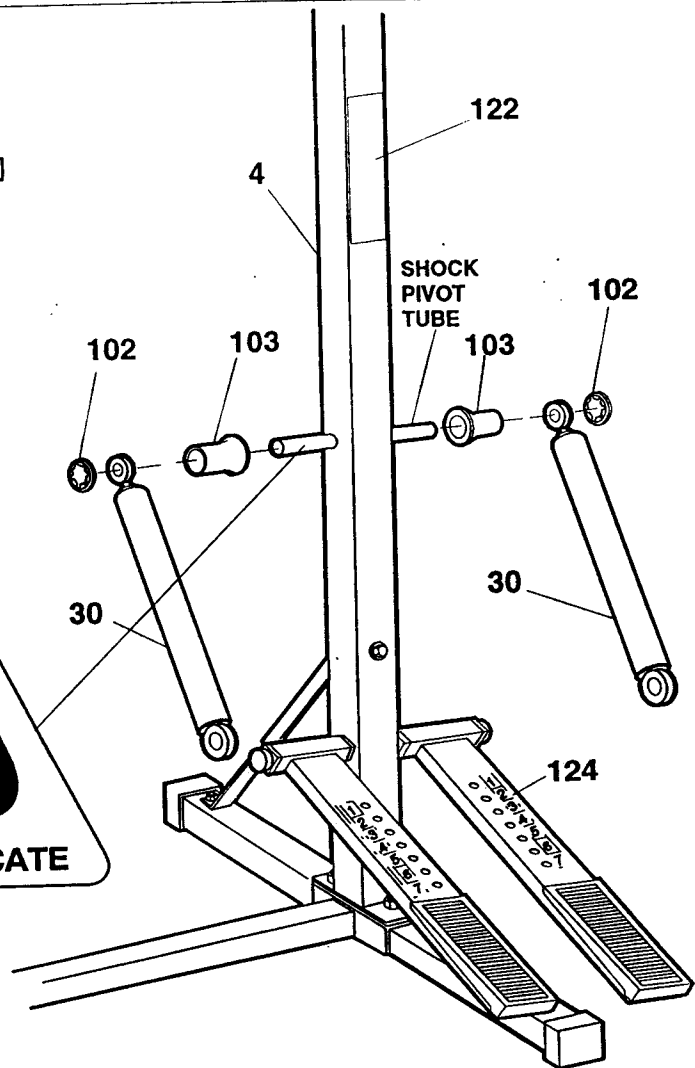
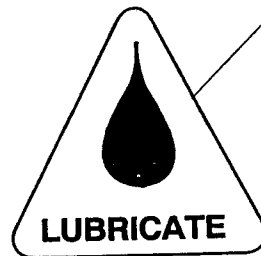
DETAIL A

- Slide a RESISTANCE CYLINDER (30) over the Shock Pivot Tube and secure in place with a 5/8" SPRING RETAINER RING (102). Again the teeth of the Retainer Ring should be positioned outward. (SEE DETAIL A)

- To the bottom end of the RESISTANCE CYLINDERS (30), attach the CYLINDER MOUNTING BRACKET (31) with a 5/16" X 1 1/2" HEX HEAD BOLT (55) and 5/16" NYLON LOCK NUT (51).

- Remove the STEPPER STATION DECAL (122) from the backing sheet and apply to the STEPPER UPRIGHT (4) on the Stepper side of the Upright Frame.

- Remove the RESISTANCE SCALE DECALS (124) from the backing sheet and attach the Decals to the STEPPER PEDALS (6) along side of the resistance holes so that the lightest setting (1) is aligned with the first hole and the scale reads from front to back.



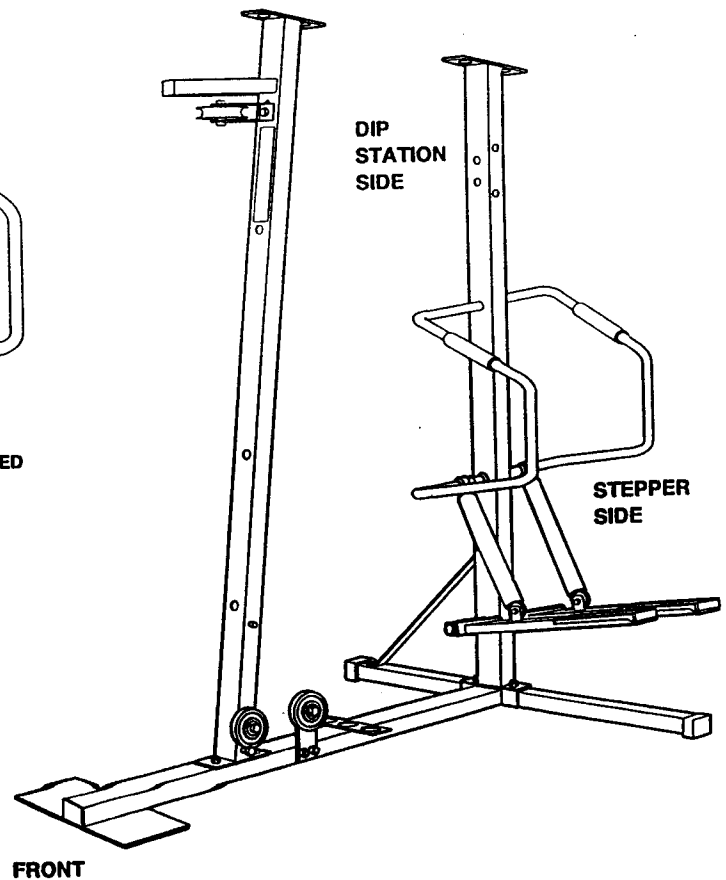
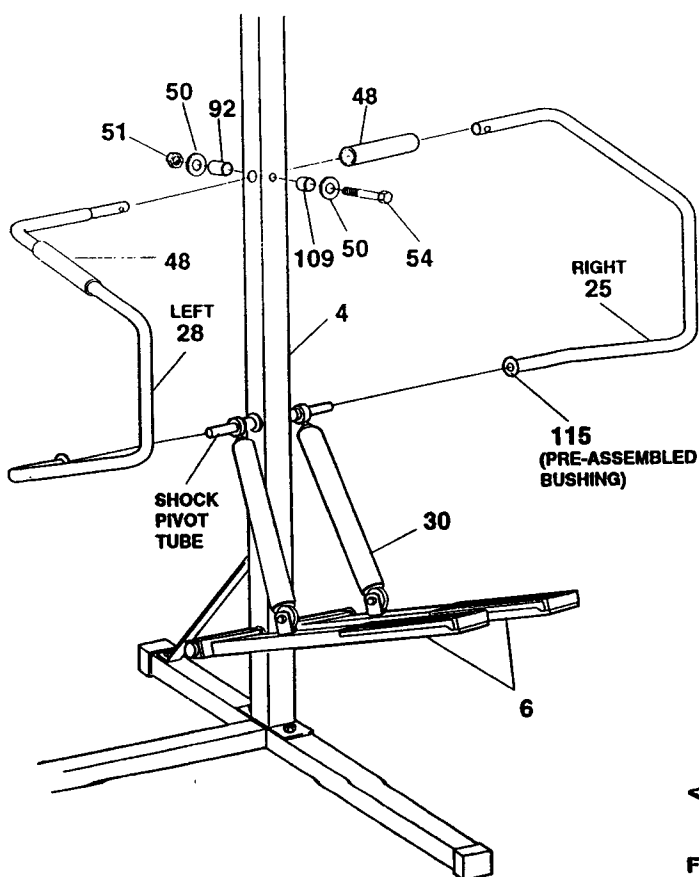
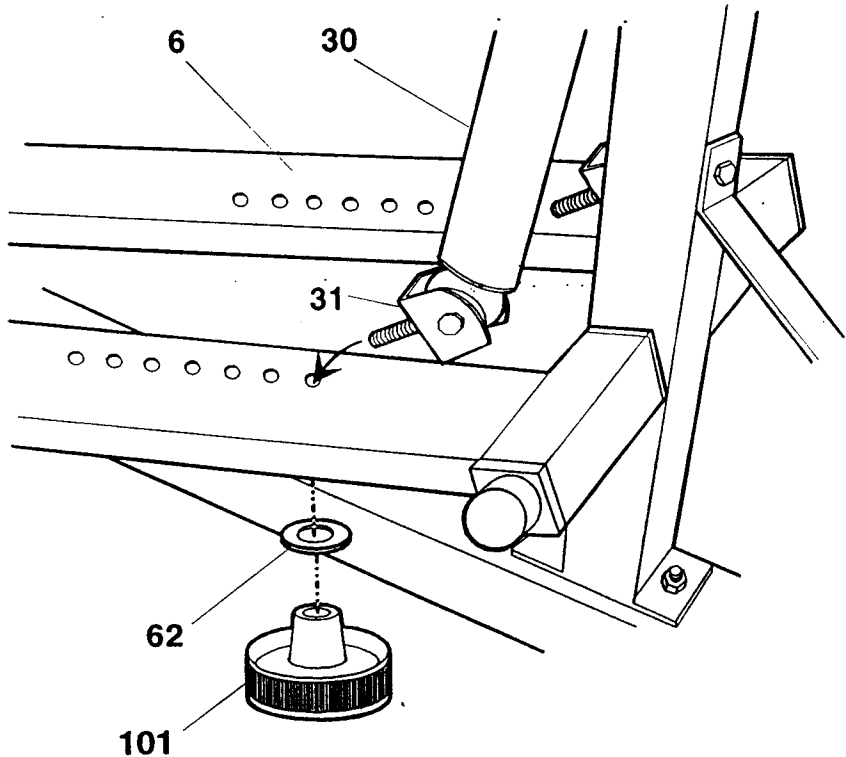
- Insert the bolt on the **CYLINDER MOUNTING BRACKET (31)** into one of the holes in the **STEPPER PEDALS (6)** and secure in place with a **3/8" FLAT WASHER (62)** and a **THREADED KNOB (101)**.

» **NOTE:** There are seven hole locations in the **STEPPER PEDALS (6)**. The Stepper resistance increases as the Cylinder is moved toward the end of the Pedal.

- Assemble the **1" X 8" LONG FOAM ROLLERS (48)** to the upper **STEPPER HANDLE BARS (25)** and **(28)** by first wiping a small amount of liquid dish detergent along the upper length of the Handle Bar. This will help in the assembly of the Foam Rollers. When the detergent dries, it will also act as an adhesive. Push the Foam Rollers onto the Handle Bars.

- Assemble the **STEPPER HANDLE BARS (25)** and **(28)** to the **STEPPER UPRIGHT (4)** by first orienting the Handle Bars so that the ends with the holes are to the top.

- Press the lower **STEPPER HANDLE BARS (25)** and **(28)** onto the Shock Pivot Tube on the **STEPPER UPRIGHT (4)** and at the same time assemble the upper Handle Bars into the hole in the Upright. (It may be advisable to obtain the aid of a helper for this assembly.) Assemble the tapered end of the **LEFT STEPPER HANDLE BAR (28)** into the **RIGHT STEPPER HANDLE BAR (25)**. Align the bolt holes with the hole through the Upright. Secure in place by first assembling a **5/16" FLAT WASHER (50)** and a **1/2" O.D. X 1/4" LONG METAL BUSHING (109)** onto a **5/16" X 2 1/2" HEX HEAD BOLT (54)** and then bolting through the Upright. Assemble a **1/2" O.D. X 1/2" LONG METAL BUSHING (92)** onto the Bolt and then another **5/16" FLAT WASHER (50)**. Secure with a **5/16" NYLON LOCK NUT (51)**.

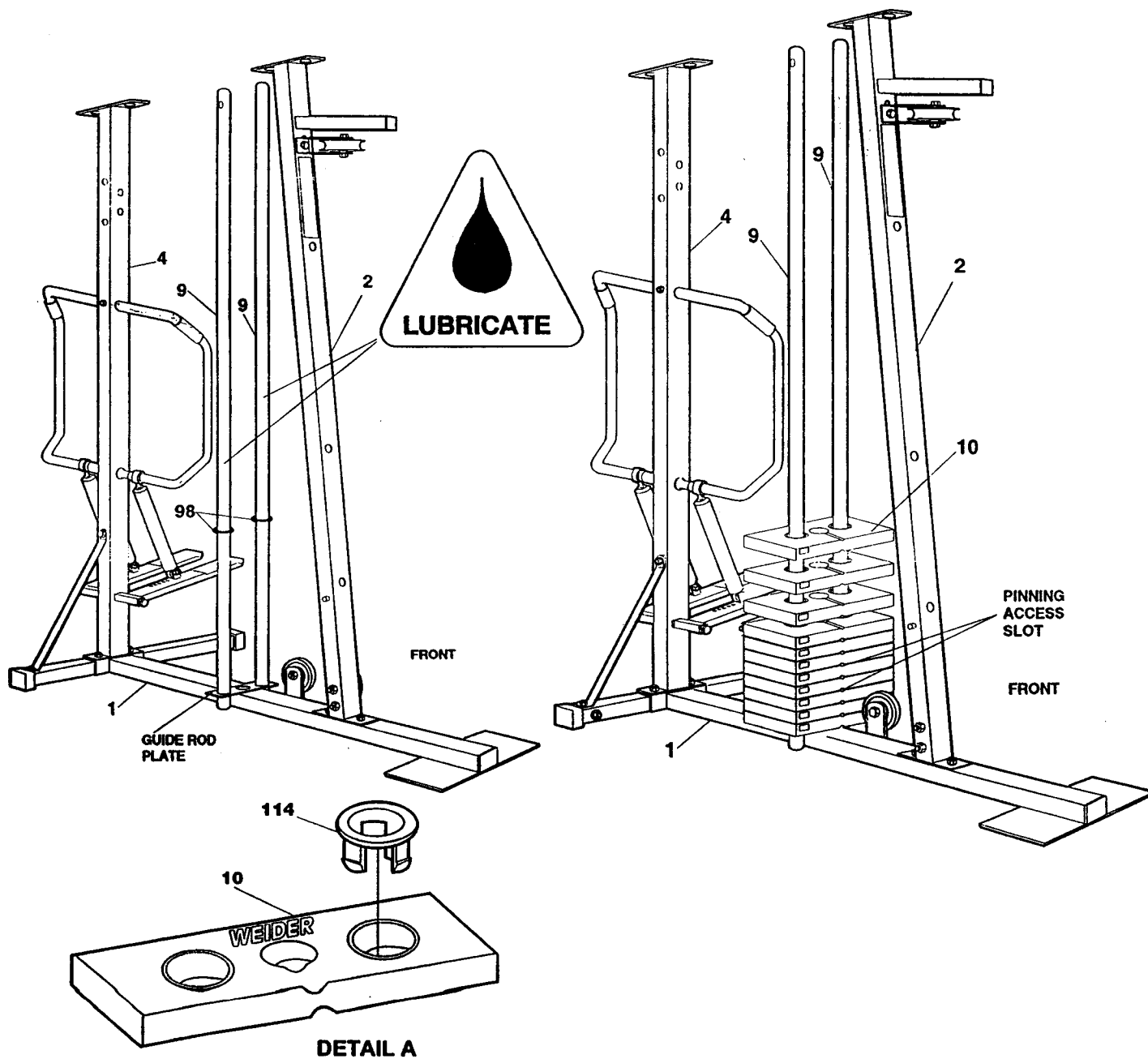


STEP 3 WEIGHT STACK ASSEMBLY

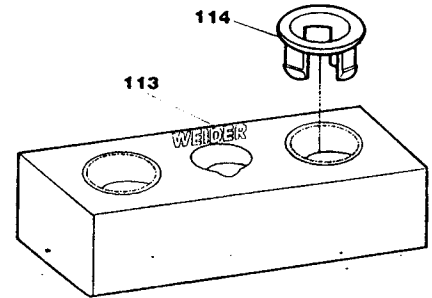
| PART NAME | QTY |
|------------------------------------|-----|
| 98 2 1/2" O.D. ROUND RUBBER WASHER | 2 |
| 99 RUBBER SELECTOR TUBE END PLUG | 1 |
| 100 WEIGHT SELECTOR PIN | 1 |
| 114 PLASTIC GUIDE BUSHING | 24 |

- Orient the **GUIDE RODS (9)** so that the bolt hole at the end of each Guide Rod is to the top. Insert the Guide Rods into the Guide Rod Plate welded atop the **BASE FRAME (1)**.
- Onto each **GUIDE ROD (9)**, assemble a 1" I.D. X 2 1/2" O.D. **ROUND RUBBER WASHER (98)**.

- There are 11 - **10 LB WEIGHT PLATES (10)** and 1 - **20 LB. WEIGHT PLATE (113)**. Into the top side of the **10 LB PLATES (10)**, press a **PLASTIC GUIDE BUSHING (114)** at the outside hole positions (Note that "Weider" is cast in the top side of the Plates.)
- Working with one **10 LB. WEIGHT PLATE (10)** at a time, stack the eleven 10 Lb. Weight Plates onto the **GUIDE RODS (9)** so the **Pinning Access Slot** in the Weight Plates is to the front of the unit and to the bottom of each Plate. Once the stack is complete, check again to make sure all Plates are positioned properly.



- Press the pointed **RUBBER SELECTOR TUBE END PLUG (99)** into the bottom end of the **SELECTOR TUBE (11)** and insert the Selector Tube into the center hole of the **WEIGHT PLATES (10)**. Turn the Selector Tube so that the Roll Pin sits into the groove in the top Weight Plate.



DETAIL A

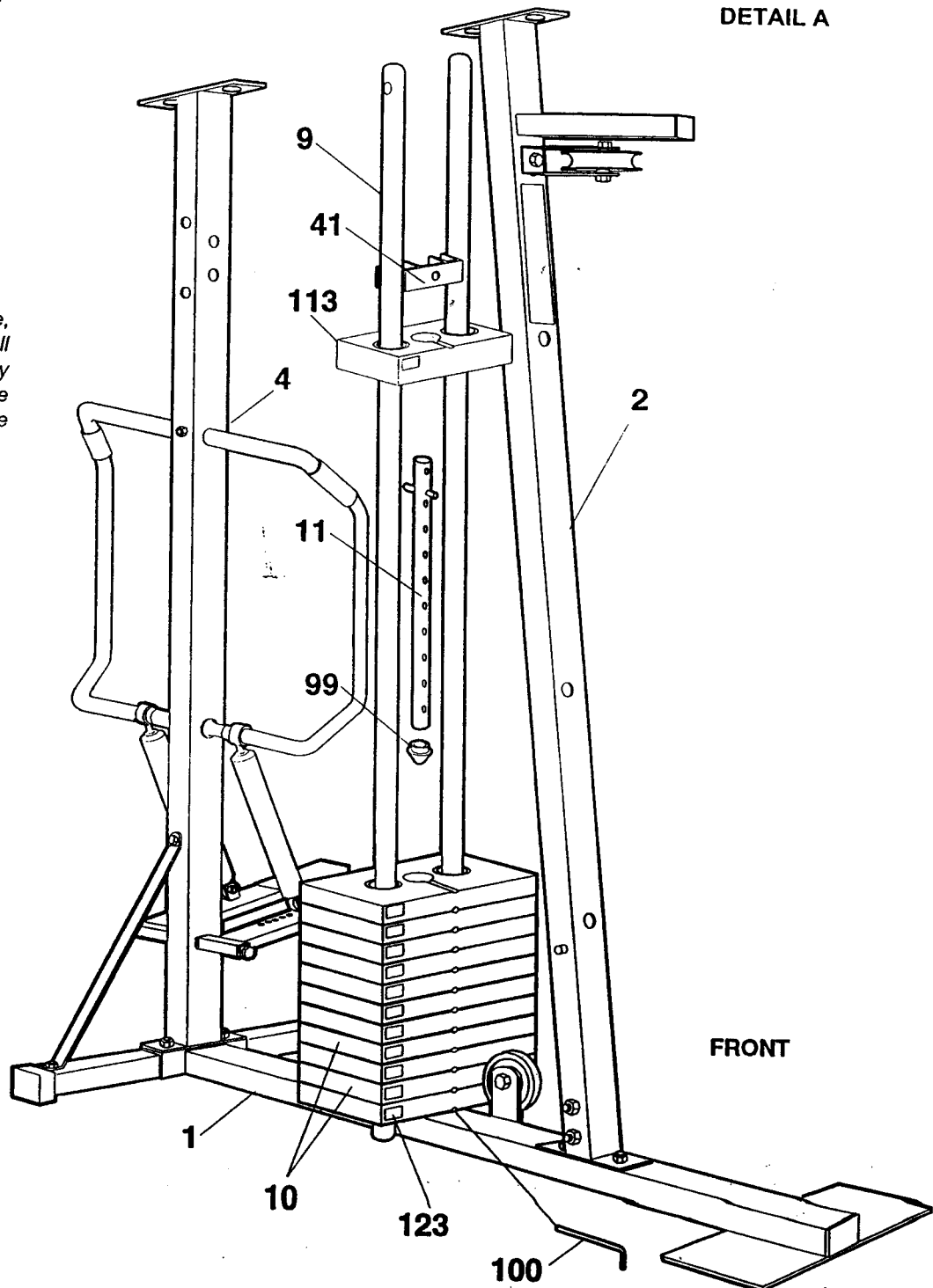
- Press **PLASTIC GUIDE BUSHINGS (114)** into the Guide Rod holes in the **20 LB. WEIGHT PLATE (113)** (SEE **DETAIL A**) and fit it onto the **GUIDE RODS (9)** and atop the Weight Stack.

» **NOTE:** At this time, check to make sure all Plates are properly oriented so that the Selector Pin can be pinned at each Plate.

- Assemble the **PLASTIC GUIDE BRACKET (41)** onto the top of the Weight Stack and fit around the top of the **SELECTOR TUBE (11)**.

- Insert the **WEIGHT SELECTOR PIN (100)** into the Weight Stack at the bottom Plate until assembly is complete and the Cable system has been adjusted for proper tensioning.

- Remove the **WEIGHT PLATE DECALS (123)** from the backing sheet and affix to the edge of the **WEIGHT PLATES (10)** and (113) just to the side of the **WEIGHT SELECTOR PIN (100)** hole. Decals should progress from the lightest Weight on the top Plate to the heaviest Weight at the bottom.



STEP 4 TOP FRAME ASSEMBLY

| PART NAME | QTY |
|---------------------------------|-----|
| 50 5/16" FLAT WASHER | 5 |
| 51 5/16" NYLON LOCK NUT | 6 |
| 59 5/16" X 3 3/4" HEX HEAD BOLT | 5 |
| 89 5/16" X 6 1/2" HEX HEAD BOLT | 1 |
| 90 1/2" O.D. X 1" METAL SPACER | 2 |
| 104 2" X 3" PLASTIC INSERT CAP | 1 |

Cap the one end of the TOP FRAME (12) with a 2" X 3" PLASTIC INSERT CAP (104).

Position the TOP FRAME (12) atop the UPRIGHTS (2) & (4) so the welded Pulley Bracket is up and the slotted end of the Frame is forward.

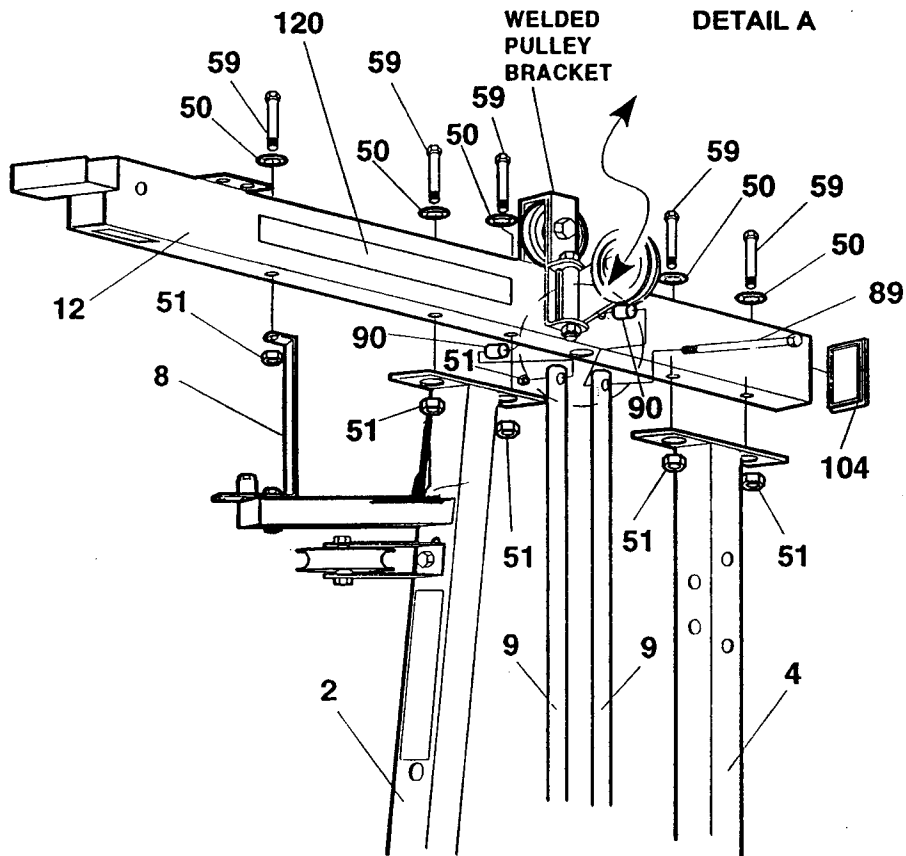
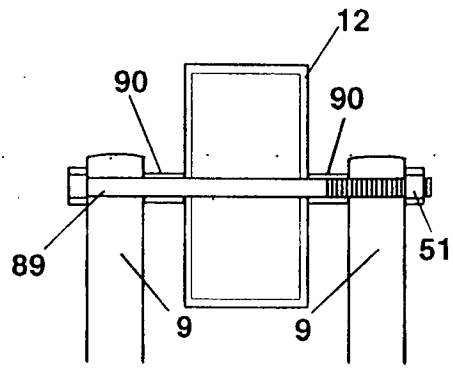
Bolt down through the hole in the rear of the TOP FRAME (12) and into the bracket atop the STEPPER UPRIGHT (4) with 5/16" X 3 3/4" HEX HEAD BOLTS (59) and 5/16" FLAT WASHERS (50). Fasten with 5/16" NYLON LOCK NUTS (51) (Do not tighten completely at this time.)

Again bolt down through the TOP FRAME (12) and into the Plate at the top of the ARM PRESS UPRIGHT (2) with two more 5/16" X 3 3/4" HEX HEAD BOLTS (59) and 5/16" FLAT WASHERS (50). Secure with 5/16" NYLON LOCK NUTS (51) but do not tighten.

Next bolt down through the TOP FRAME (12) again and into the SUPPORT BRACE (8) at the front of the ARM PRESS UPRIGHT (2) with another 5/16" X 3 3/4" HEX HEAD BOLT (59) and 5/16" FLAT WASHER (50). Assemble a 5/16" NYLON LOCK NUT (51) and tighten this and the other Upright assembly bolts tightly.

Position the GUIDE RODS (9) at the hole location behind the Welded Pulley Bracket at the top of the TOP FRAME (12). Using a 5/16" X 6 1/2" HEX HEAD BOLT (89), bolt through the first Guide Rod. Then assemble a 1/2" X 1" LONG METAL SPACER (90) onto the Bolt and then continue to bolt now through the TOP FRAME (12). Assemble another 1/2" X 1" LONG METAL SPACER (90) onto the Bolt and then bolt through the second Guide Rod. Fasten with a 5/16" NYLON LOCK NUT (51). (SEE DETAIL A)

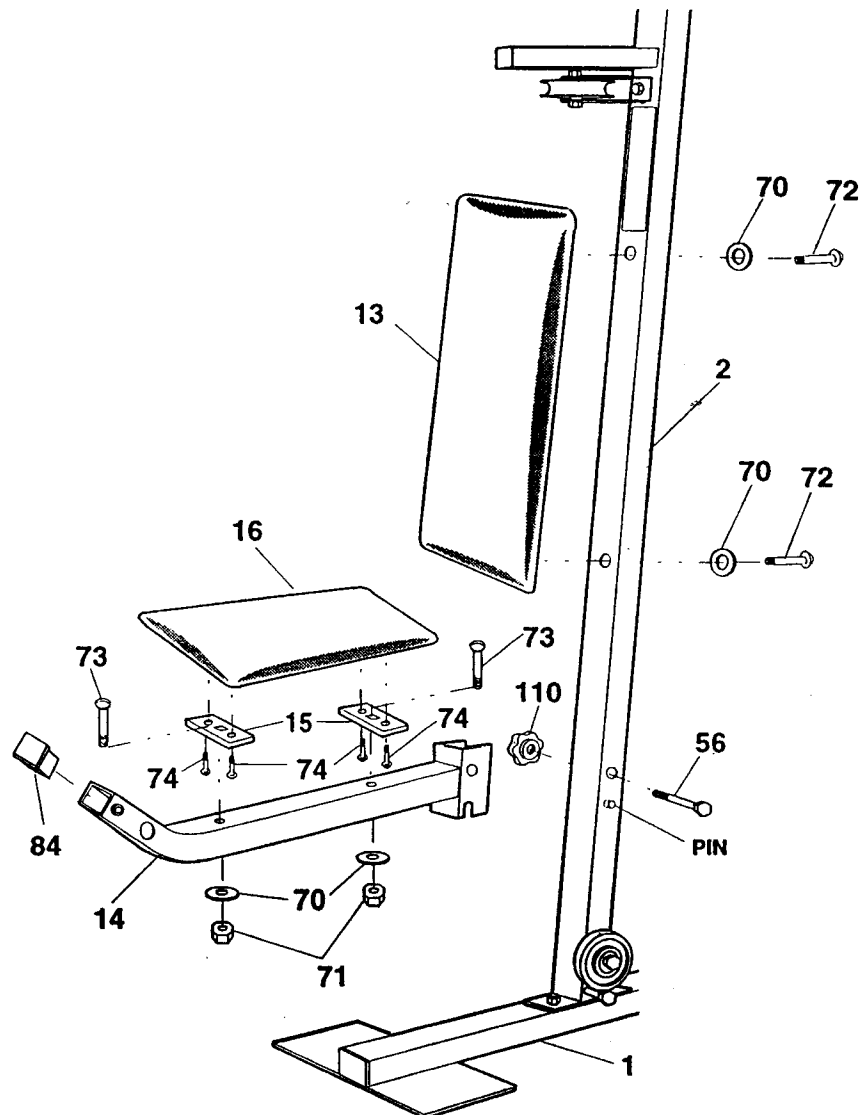
Remove the POWER MAX TOP MAST DECAL (120) from the backing sheet and position the Decal to the side of the TOP FRAME (12) in front of the welded bracket.



STEP 5 BACKREST & SEAT ASSEMBLY

| PART NAME | QTY |
|-------------------------------------|-----|
| 56 5/16" X 2 3/4" CARRIAGE BOLT | 1 |
| 70 1/4" FLAT WASHER | 4 |
| 71 1/4" NYLON LOCK NUT | 2 |
| 72 1/4" X 2 1/2" ROUND HEAD SCREW | 2 |
| 73 1/4" X 2" CARRIAGE BOLT | 2 |
| 74 1/4" X 3/4" ROUND HEAD SCREW | 4 |
| 84 1 1/2" SQUARE PLASTIC INSERT CAP | 1 |
| 110 5/16" THREADED PLASTIC KNOB | 1 |

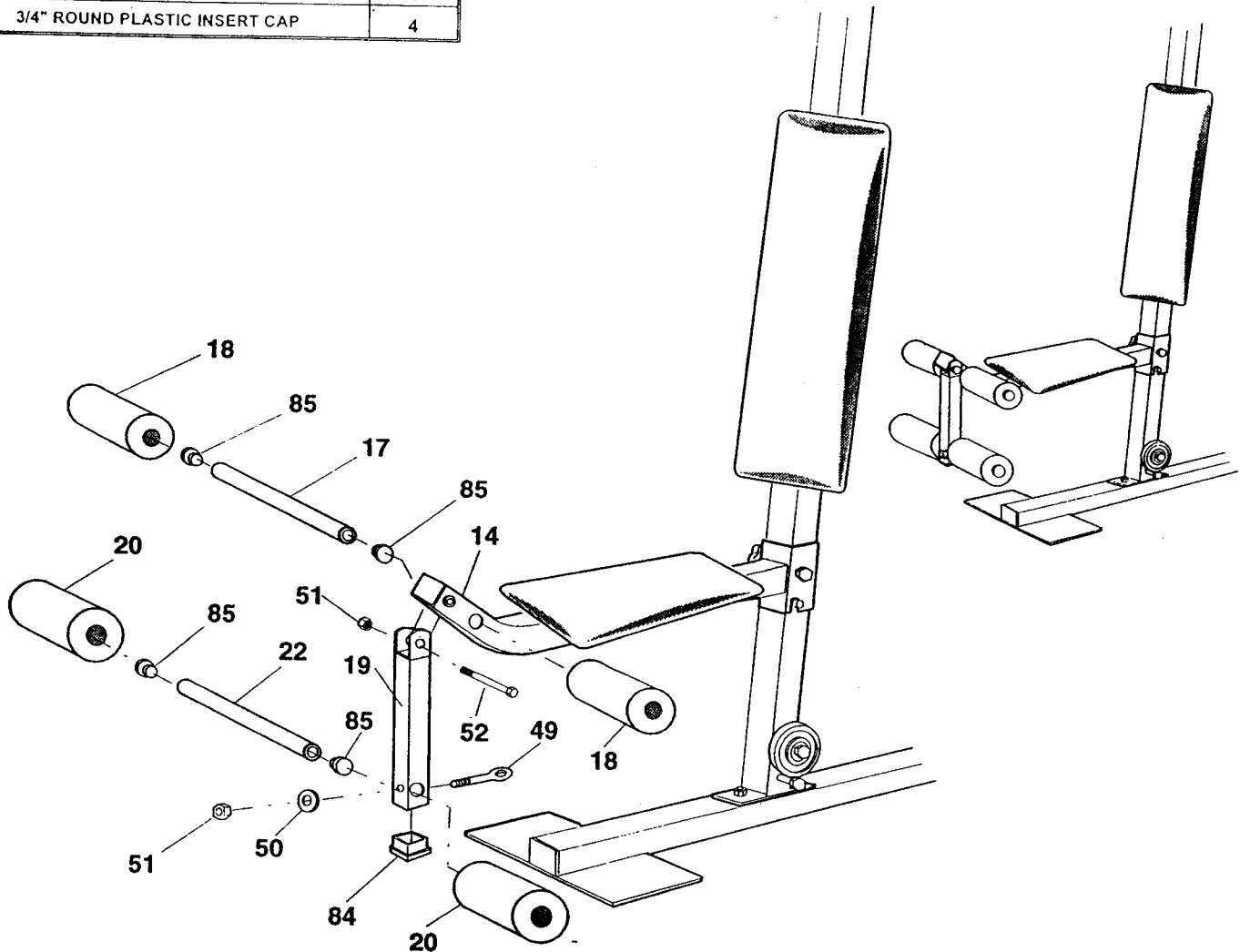
- Orient the **BACKREST (13)** so that "WEIDER" reads from top to bottom. Bolt through from the back side of the **ARM PRESS UPRIGHT (2)** and into the Backrest with **1/4" X 2 1/2" ROUND HEAD SCREWS (72)** and **1/4" FLAT WASHERS (70)**.
- Orient the **SEAT FRAME (14)** so that the end of the tube turns upward. Fit the bracket of the Seat Frame around the **ARM PRESS UPRIGHT (2)** and set the slot in the Seat Frame over the pin in the Upright. Insert a **5/16" X 2 3/4" CARRIAGE BOLT (56)** through the Seat Bracket and Upright and secure with a **5/16" THREADED PLASTIC KNOB (110)**. Cap the end of the **SEAT FRAME (14)** with a **1 1/2" SQUARE PLASTIC INSERT CAP (84)**.
- Attach the **SEAT MOUNTING BRACKETS (15)** (These are flat brackets 2" X 6" with two round holes and a square hole in the center) to the top side of the **SEAT FRAME (14)** by bolting down through the Mounting Brackets and through the Seat Frame with **1/4" X 2" CARRIAGE BOLTS (73)**. Fasten in place with **1/4" FLAT WASHERS (70)** and **1/4" NYLON LOCK NUTS (71)**. Do not tighten at this time.
- Locate the **SEAT (16)** over the **SEAT MOUNTING BRACKETS (15)** so the wide end of the Seat is to the front of the unit. Assemble up through the Brackets and into the bottom of the Seat with **1/4" X 3/4" ROUND HEAD SCREWS (74)**. Now tighten the Carriage Bolts holding the Brackets.



STEP 6 LEG EXTENSION ASSEMBLY

| PART NAME | QTY |
|-------------------------------------|-----|
| 49 5/16" X 2" EYE-BOLT | 1 |
| 50 5/16" FLAT WASHER | 1 |
| 51 5/16" NYLON LOCK NUT | 2 |
| 52 5/16" X 2 1/4" HEX HEAD BOLT | 1 |
| 84 1 1/2" SQUARE PLASTIC INSERT CAP | 1 |
| 85 3/4" ROUND PLASTIC INSERT CAP | 4 |

- Cap the bottom end of the LEG EXTENSION (19) with a 1 1/2" SQUARE PLASTIC CAP (84) and bolt the LEG EXTENSION (19) to the bolt hole location at the end of the SEAT FRAME (14) with a 5/16" X 2 1/4" HEX HEAD BOLT (52). Secure with a 5/16" NYLON LOCK NUT (51). Do not over tighten so that the Leg Extension will be able to swing freely..



- Press a 3/4" ROUND INSERT CAP (85) into the ends of a 3/4" X 13 1/2" LONG PAD BAR (17). Wipe a small amount of liquid dish detergent along the length of the Pad Bar. This will help in the assembly of the Foam Rollers. When the detergent dries, it will also act as an adhesive. Insert the Pad Bar into a 2 1/4" X 6" FOAM ROLLER (18).
- Insert a 3/4" ROUND PLASTIC INSERT CAP (85) into each end of a 3/4" X 13" LONG ROUND PAD BAR (22). Wipe a small amount of liquid dish detergent along the length of the Pad Bar and push into a 3" X 5 1/2" FOAM ROLLER (20).
- Insert the Pad Bar assembly into the larger access hole at the end of the SEAT FRAME (14) and slide on a second 2 1/4" X 6" FOAM ROLLER (18).
- Insert the Pad Bar assembly into the bottom section of the LEG EXTENSION (19) and slide on another 3" X 5 1/2" FOAM ROLLER (20).

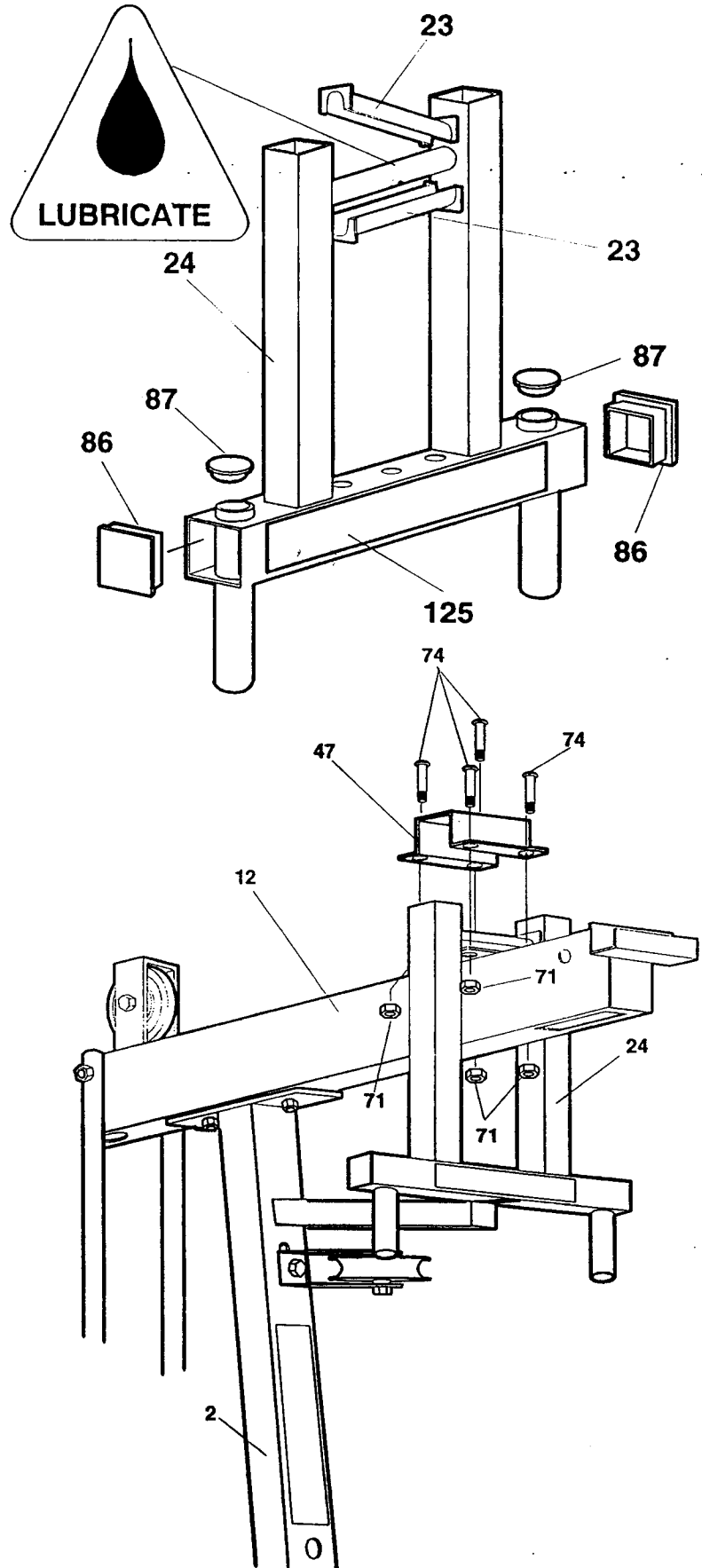
1. Bolt a 3/4" EYE-BOLT (49) into the back side of the lower portion of the LEG EXTENSION (19). Assemble a 5/16" FLAT WASHER (50) onto the Bolt and fasten with a 5/16" NYLON LOCK NUT (51).

- Tighten the 3 1/4" EYE-BOLT (49) pre-assembled into the bottom of the LEG EXTENSION (19).

STEP 7 ARM PRESS ASSEMBLY

| PART NAME | QTY |
|-------------------------------------|-----|
| 71 1/4" NYLON LOCK NUT | 4 |
| 74 1/4" X 3/4" ROUND HEAD SCREW | 4 |
| 82 1" ROUND PLASTIC COVER CAP | 2 |
| 86 1 3/4" SQUARE PLASTIC INSERT CAP | 6 |
| 87 1" ROUND PLASTIC INSERT CAP | 2 |
| 96 1" I.D. SPRING RETAINER RING | 4 |

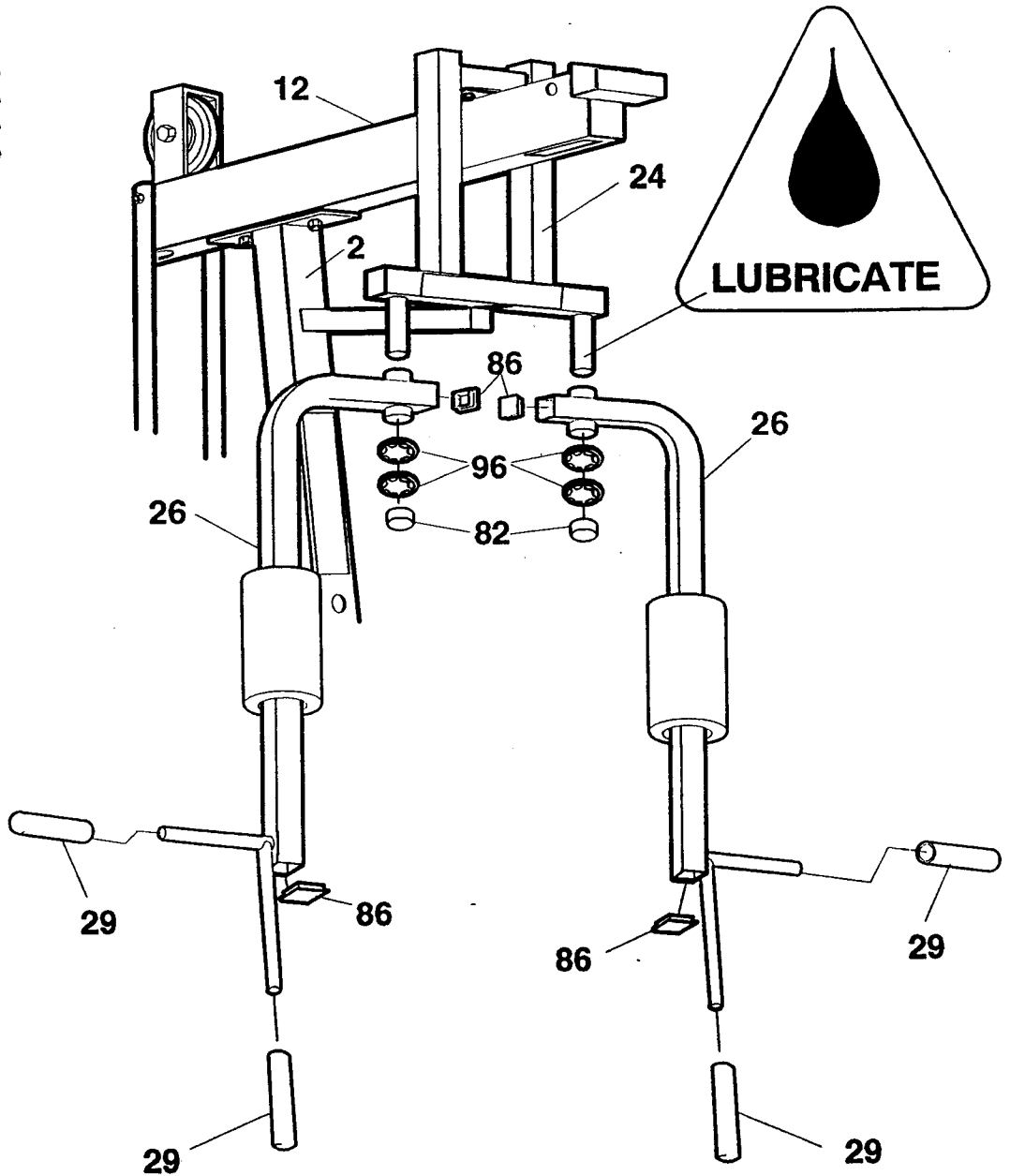
- Cap each end of the bottom Cross Member Tube of the ARM PRESS PIVOT FRAME (24) with 1 3/4" SQUARE PLASTIC INSERT CAPS (86).
- Cap the top of the Pivot Tubes with 1" ROUND PLASTIC INSERT CAPS (87).
- Fit a 4" LONG HALF ROUND PLASTIC PIVOT BUSHING (23) into the ARM PRESS PIVOT FRAME (24). Assemble this around the round tube welded between the Arm Press Frame. Position a second PIVOT BUSHING (23) around the tube.
- Place the ARM PRESS CAP (47) on top of the ARM PRESS PIVOT FRAME (24). Align the bolt holes in the Arm Press Cap with the bolt holes in the plate welded to the top side of the TOP FRAME (12).
- Bolt the assembly to the TOP FRAME (12) with four 1/4" X 3/4" ROUND HEAD SCREWS (74) by bolting down through the top of the ARM PRESS CAP (47) and then through the bolt holes in the welded plate on the Top Frame. Secure with 1/4" NYLON LOCK NUTS (71).
- Remove the POWER STACK DECAL (125) from the backing sheet and position the Decal to the front of the Cross Tube on the ARM PRESS PIVOT FRAME (24).



- Cap each end of the ARM PRESS ARMS (26) with 1 3/4" SQUARE PLASTIC INSERT CAPS (86).
- Press the ARM PRESS ARMS (26) onto the 1" Pivot Tubes welded in the ARM PRESS PIVOT FRAME (24).
- Secure the ARM PRESS ARMS (26) onto the Pivot Tube with two 1" I.D. SPRING RETAINER RINGS (96) and cap the tube end with a 1" ROUND PLASTIC COVER CAP (82).

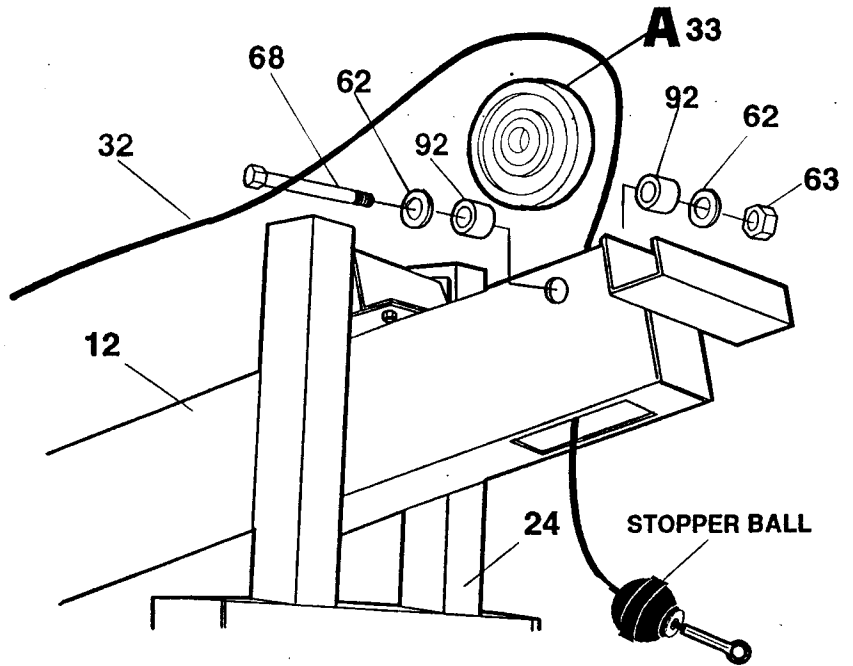
» **NOTE:** The Spring Clips are made so that the teeth tilt to one side. Align the clips so the teeth are pointed down. The 1" Cover Cap can be used to help drive the clips onto the Pivot Tube. Align the clips and cap with the tube end and lightly drive the assembly in place with the aid of a hammer.

Press PLASTIC GRIPS (29) onto each of the Handle ends of the ARM PRESS ARMS (26).



STEP 8 CABLE ASSEMBLIES

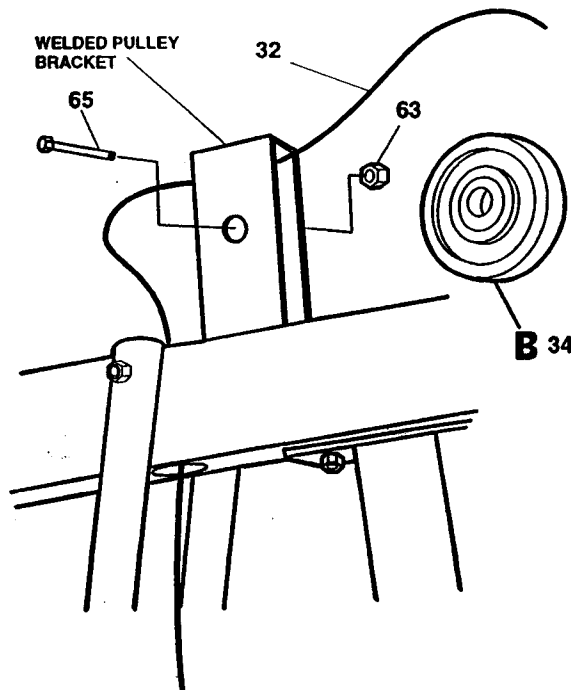
| PART NAME | QTY |
|---------------------------------|-----|
| 33 4 1/2" PULLEY | 4 |
| 34 3 1/2" PULLEY | 6 |
| 50 5/16" FLAT WASHER | 5 |
| 51 5/16" NYLON LOCK NUT | 8 |
| 52 5/16" X 2 1/4" HEX HEAD BOLT | 2 |
| 54 5/16" X 2 1/2" HEX HEAD BOLT | 2 |
| 55 5/16" X 1 1/2" HEX HEAD BOLT | 1 |
| 57 5/16" X 3" HEX HEAD BOLT | 2 |
| 59 5/16" X 3 3/4" HEX HEAD BOLT | 1 |
| 60 5/16" X 3 1/4" HEX HEAD BOLT | 1 |
| 61 5/16" X 3 1/2" HEX HEAD BOLT | 1 |
| 62 3/8" FLAT WASHER | 5 |
| 63 3/8" NYLON LOCK NUT | 10 |
| 65 3/8" X 1 3/4" HEX HEAD BOLT | 5 |
| 66 3/8" X 2" HEX HEAD BOLT | 3 |
| 68 3/8" X 2 3/4" HEX HEAD BOLT | 1 |
| 69 3/8" X 3 1/2" HEX HEAD BOLT | 1 |
| 91 1/2" X 1" LONG METAL BUSHING | 1 |
| 92 1/2" X 1/2" LONG SPACER | 2 |
| 105 S-HOOK | 2 |
| 119 5/16" THIN JAM NUT | 2 |



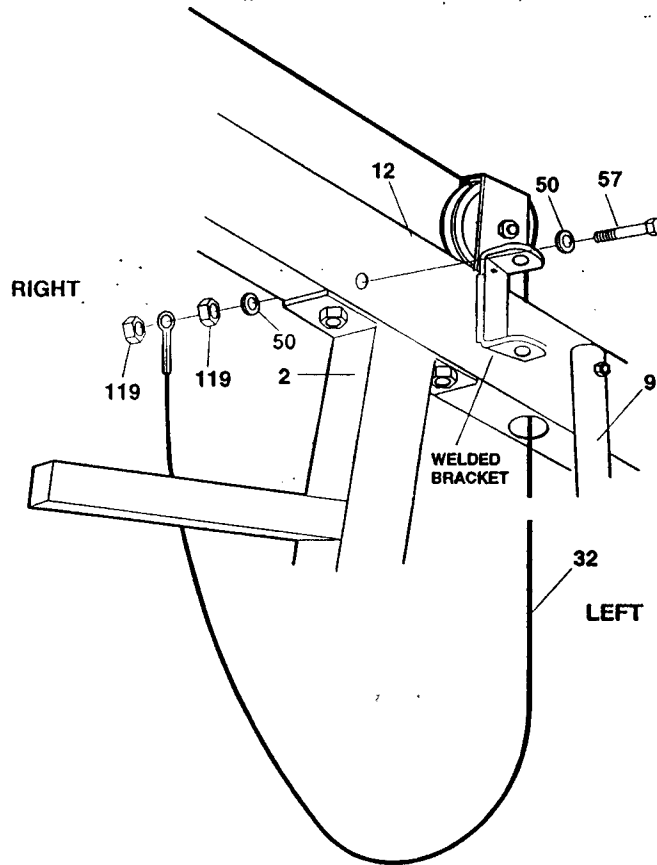
- Select the 133 1/2" LONG LAT CABLE (32) and insert the Cable up through the slot at the front of the TOP FRAME (12). Bring the Cable back along the Top Frame, through the Bracket on the top of the Frame and down through the access hole in the Frame. Pull the Cable completely through until the Stopper Ball is against the under side of the Frame.
- From underneath the TOP FRAME (12), fit a 4 1/2" PULLEY (A) (33) up into the slot in the front of the Top Frame and position the LAT CABLE (32) into the Pulley groove. Slide a 3/8" FLAT WASHER (62) and a 1/2" X 1/2" LONG METAL SPACER (92) onto a 3/8" X 2 3/4" HEX HEAD BOLT (68) and assemble the Bolt through the Top Frame and Pulley. Slide another 1/2" LONG SPACER (92) and 3/8" FLAT WASHER (62) over the Bolt and secure with a 3/8" NYLON LOCK NUT (63).

Fit a 3 1/2" PULLEY (B) (34) under the LAT CABLE (32) and position the Pulley inside the Welded Pulley Bracket atop the TOP FRAME (12). Bolt in place with a 3/8" X 1 3/4" HEX HEAD BOLT (65) and 3/8" NYLON LOCK NUT (63).

- To install the LAT CABLE (32) into the 3 1/2" PULLEY (B) (34), it will be necessary to remove the Pulley by unfastening the 3/8" X 1 3/4" HEX HEAD BOLT (65) and 5/16" NYLON LOCK NUT (63). Remove the Pulley and assemble the Cable onto the Pulley and re-install the Pulley in the Welded Pulley Bracket.

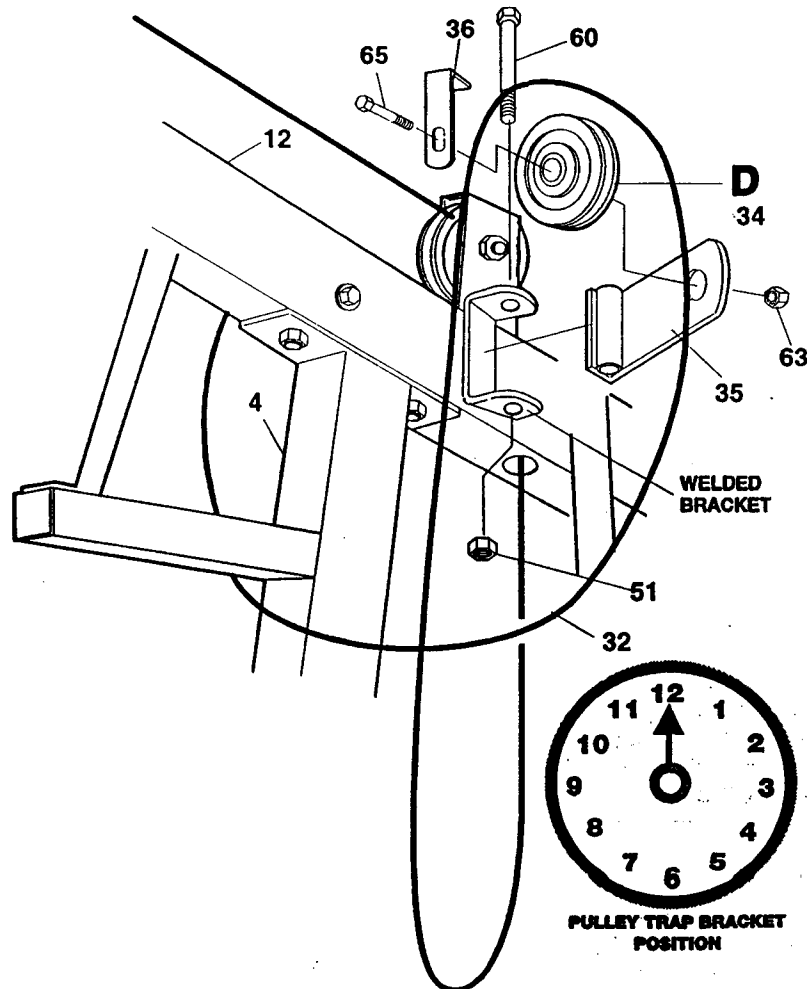


Bring the LAT CABLE (32) forward between the GUIDE RODS (9), and out and around the left side (as you sit on the unit) of the ARM PRESS UPRIGHT (2) passing under the Welded Stopper Tube. Fasten the Cable end to the right side of the TOP FRAME (12) just above the Upright. Assemble a 5/16" FLAT WASHER (50) onto a 5/16" X 3" HEX HEAD BOLT (57) and bolt through the LEFT side of the Top Frame. Assemble another 5/16" FLAT WASHER (50) onto the Bolt followed by a 5/16" THIN JAM NUT (119), and then the Loop of the Cable. Assemble another 5/16" THIN JAM NUT (119) onto the Bolt and tighten securely but leave enough space so that the Cable can rotate on the Bolt.

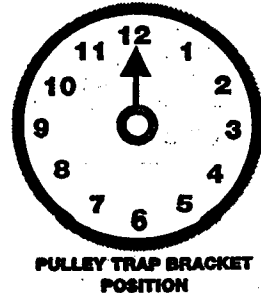


Attach a 2" X 3 1/2" LONG PULLEY PIVOT BRACKET (35) to the bracket welded to the LEFT side of the TOP FRAME (12). Orient the Pivot Brackets so the "elbow" of the Bracket is to the outside. Fasten with a 5/16" X 3 1/4" HEX HEAD BOLT (60) and 5/16" NYLON LOCK NUT (51).

With a 3" "L" CABLE TRAP BRACKET (36) and a 3 1/2" PULLEY (D) (34), bring the LAT CABLE (32) up and fit it into the Pulley and trap in place from the back side with the Cable Trap. Bolt the Pulley assembly to the inside of the PIVOT BRACKET (35) with a 3/8" X 1 3/4" HEX HEAD BOLT (65) and 3/8" NYLON LOCK NUT (63). The Cable Trap should be approximately 1/16" from the Pulley rim and located at the twelve o'clock position.

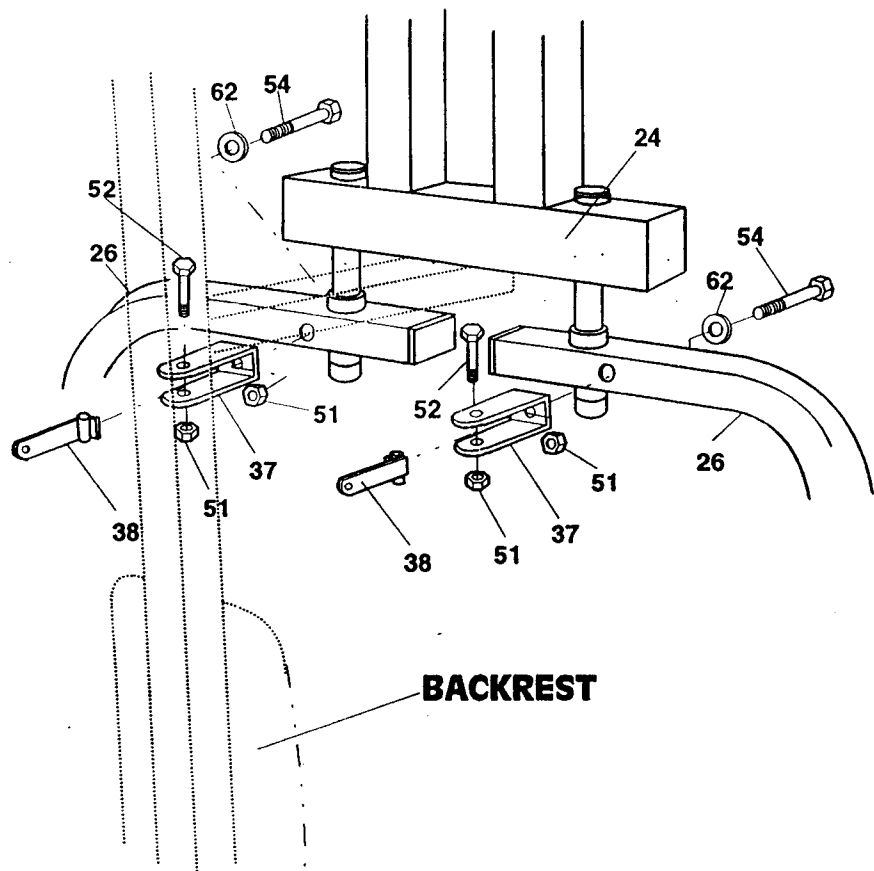


SPECIAL NOTE: The pre-assembly of the above 3 1/2" PULLEY (D) (34), the PULLEY PIVOT BRACKET (35), and the CABLE TRAP BRACKET (36) is only finger tight to allow for assembly of the LAT CABLE (32). After assembly of the Cable, tighten this assembly.

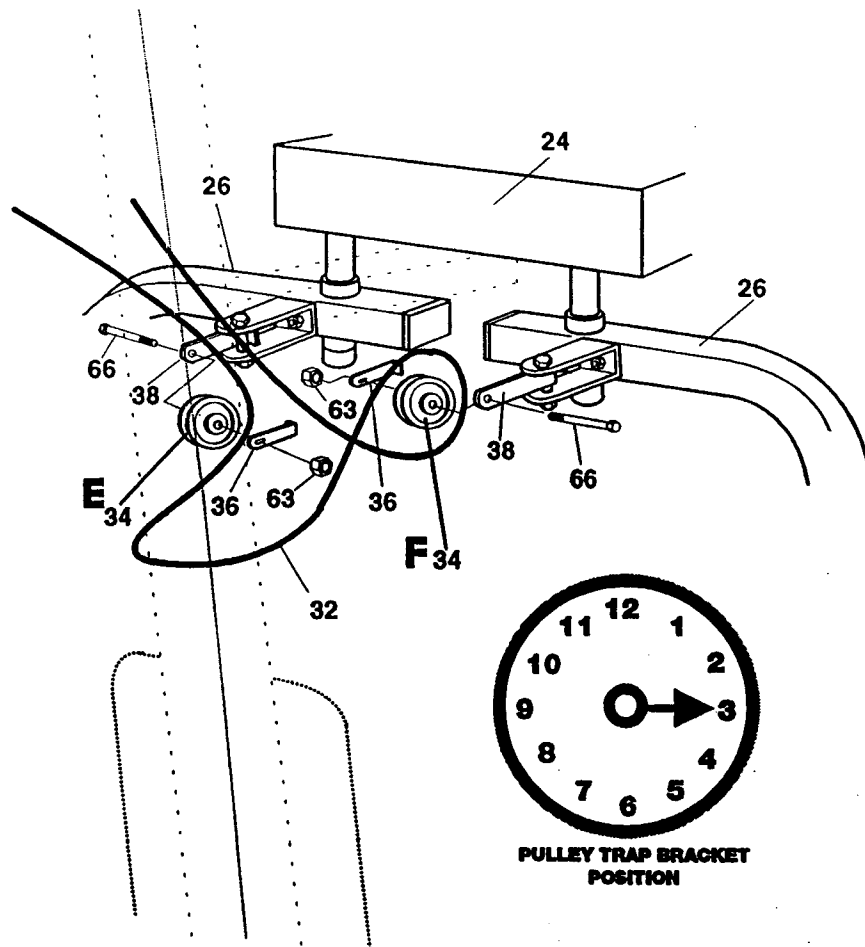


☐ Select two 3 1/2" LONG "U" BRACKETS (37) and attach both Brackets to the back of the ARM PRESS ARMS (26) by assembling 3/8" FLAT WASHERS (62) onto two 5/16" X 2 1/2" HEX HEAD BOLTS (54) and bolting first through the front of the Arm Press Arms and then into the inside of the U-Brackets. Secure inside the U-Brackets with 5/16" NYLON LOCK NUTS (51).

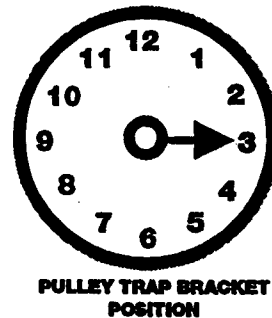
☐ Attach the 4" LONG ARM PRESS PIVOT BRACKET (38) into the ARM PRESS "U" BRACKET (37) so the "elbow" of the Pivot Bracket is to the OUTSIDE. Bolt in place with 5/16" X 2 1/4" HEX HEAD BOLT (52) and 5/16" NYLON LOCK NUTS (51). Make this assembly to both ARM PRESS ARMS (26).



☐ With two 3" LONG "L" CABLE TRAP BRACKETS (36) and two 3 1/2" PULLEYS (E) & (F) (34), trap the LAT CABLE (32) into the Pulleys and bolt this assembly to the inside of the ARM PRESS PIVOT BRACKETS (38) with 3/8" X 2" HEX HEAD BOLTS (66) and 3/8" NYLON LOCK NUTS (63). Before tightening, position the Cable Trap Brackets so that they are at the three o'clock position and also are about 1/16" from the rim of the Pulley.

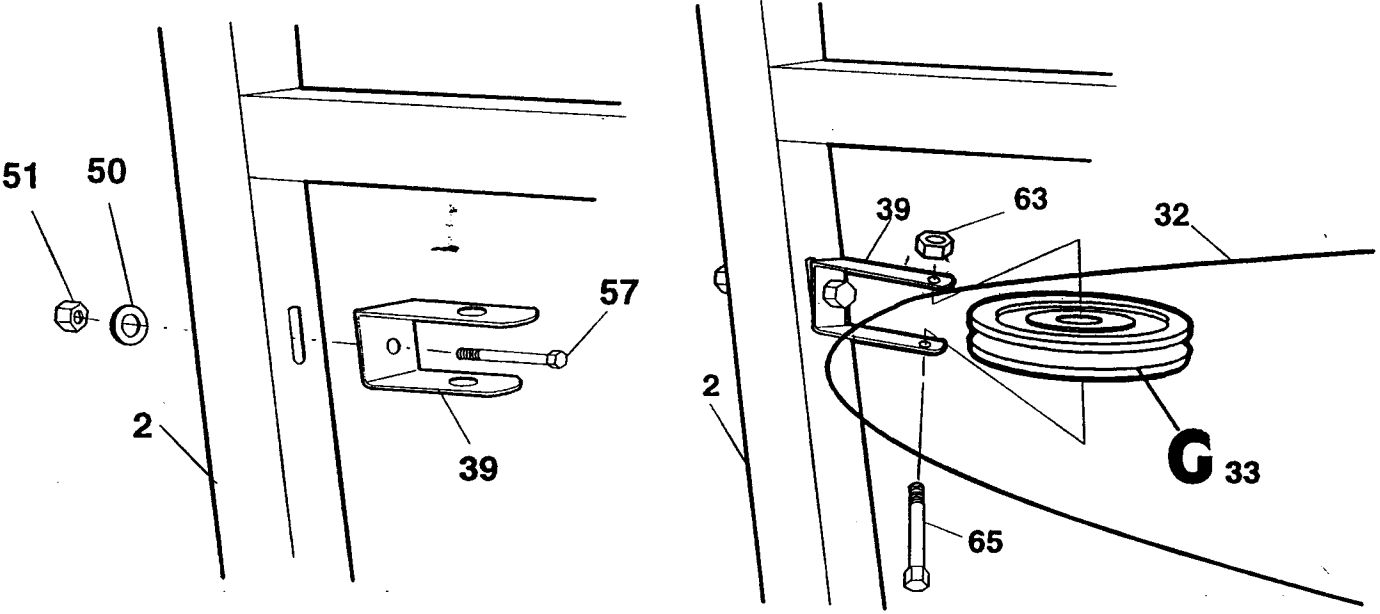


☐ **SPECIAL NOTE:** The above pre-assembly of the "U" BRACKETS (37), the ARM PRESS PIVOT BRACKETS (38), the 3 1/2" PULLEYS (E) & (F) (34), and the CABLE TRAP BRACKETS (36) have been assembled only finger tight so that the LAT CABLE (32) can be assembled into the Pulley. Assemble the Cable into the Pulleys and then tighten this assembly.

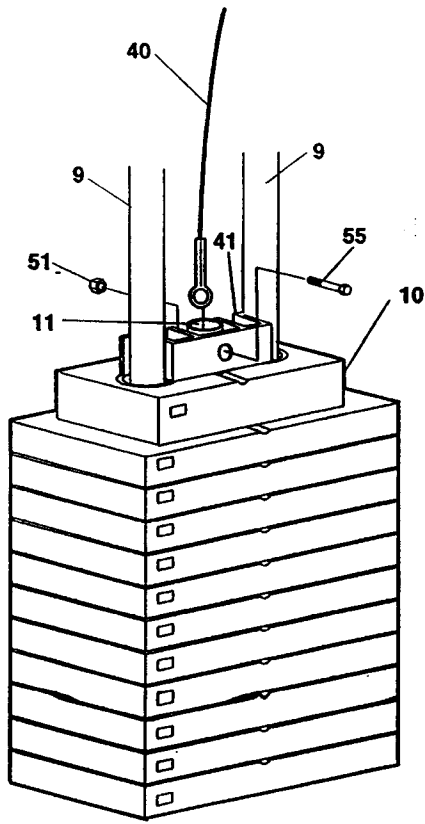


- Using a 5/16" X 3" HEX HEAD BOLT (57), insert the Bolt through a 3" LONG "U" PULLEY BRACKET (39) and fasten the Bracket to the front side of the ARM PRESS UPRIGHT (2) just above the Backrest. **"IMPORTANT":** This Bracket must NOT be tightened against the Upright. Fit a 5/16" FLAT WASHER (50) and a 5/16" NYLON LOCK NUT (51) onto the Bolt and tighten only enough that the Bolt comes through the Nut just a few threads. This will let the Bracket stand away from the Frame about 1/4 inch. The Bracket must be allowed to pivot up and down.
- With another 4 1/2" PULLEY (G) (33), trap the LAT CABLE (32) into the "U" PULLEY BRACKET (39) at the front of the ARM PRESS UPRIGHT (2). Fasten in place with a 3/8" X 1 3/4" HEX HEAD BOLT (65) and 3/8" NYLON LOCK NUT (63).

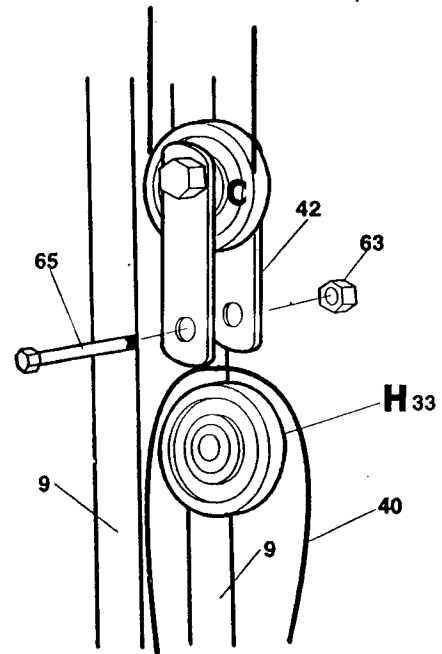
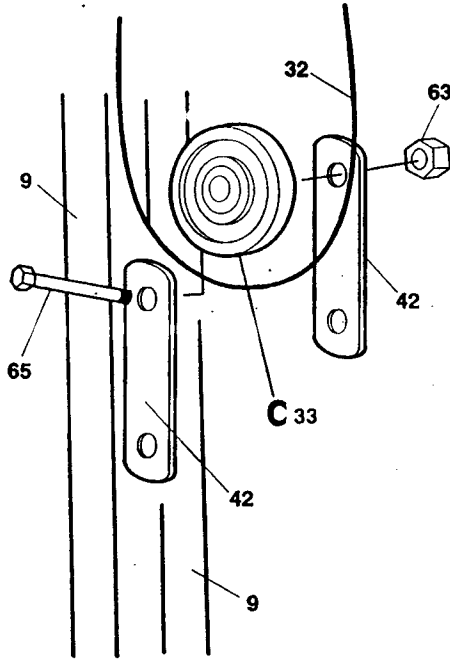
- To assemble the LAT CABLE (32) into the pre-assembled 4 1/2" PULLEY (G) (33), it will be necessary to remove the Pulley by untightening the 3/8" X 1 3/4" HEX HEX BOLT (65) and 3/8" NYLON LOCK NUT (63) and removing the Pulley. Assemble the Cable onto the Pulley and re-assemble the Pulley into the "U" PULLEY BRACKET (39).



- Assemble the 84" WEIGHT STACK CABLE (40) to the SELECTOR TUBE (11). First, be sure that the Metal Adjuster Ferrule and Rubber Stopper Ball are positioned to the end of the Cable so the Adjuster Ferrule is between the Ball and the loop end of the Cable. Insert the other loop end of the Cable into the end of the Selector Tube. Position the molded PLASTIC GUIDE BRACKET (41) so it fits behind the Selector Tube and in front of the GUIDE RODS (9).



- Bolt through the SELECTOR TUBE (11), CABLE (40) end, and GUIDE BRACKET (41) with a 5/16" X 1 1/2" HEX HEAD BOLT (55) and a 5/16" NYLON LOCK NUT (51).

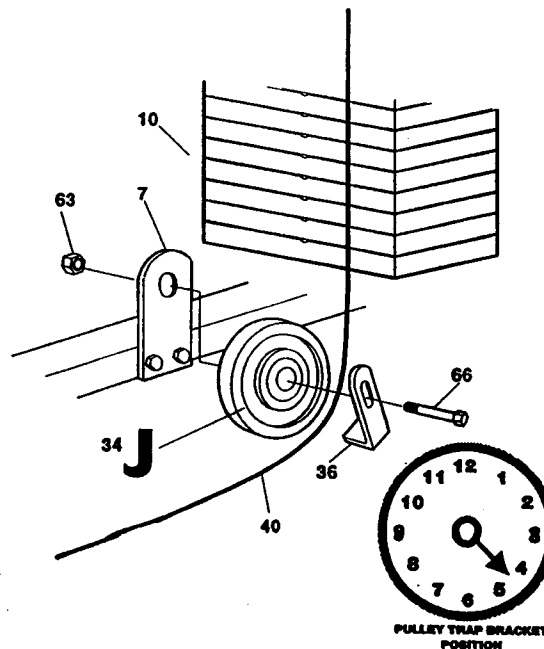


- Select a 4 1/2" PULLEY (C) (33) and two 5 3/4" LONG FLAT DUAL CABLE CONNECTOR PLATES (42). With a 3/8" X 1 3/4" HEX HEAD BOLT (65), bolt the Pulley between the Brackets and secure with a 3/8" NYLON LOCK NUT (63).
- For a loop in the LAT CABLE (32) as it comes down through the TOP FRAME (12) and fit the Pulley and Bracket assembly onto the Cable.
- Using another 4 1/2" PULLEY (H) (33), sit the WEIGHT STACK CABLE (40) into the Pulley and bolt the Pulley and Cable between the DUAL CABLE PLATES (42) with a 3/8" X 1 3/4" HEX HEAD BOLT (65) and a 3/8" NYLON LOCK NUT (63).

- To assemble the LAT CABLE (32) and the WEIGHT STACK CABLE (40) into the DUAL CABLE CONNECTOR PLATES (42), it will be necessary to remove one Pulley from the Dual Cable Connector Plates by removing a 3/8" X 1 3/4" HEX HEAD BOLT (65) from the assembly. After removing the one Pulley, fit the remaining Pulley and Dual Cable Connector Plates onto the LAT CABLE (32). Assemble the WEIGHT STACK CABLE (40) onto the other Pulley and bolt the Pulley and Cable back into to Dual Cable Connector Plates.

- Bring the WEIGHT STACK CABLE (40) down and select a 3" LONG "L" SHAPED CABLE TRAP BRACKET (36) and a 3 1/2" PULLEY (J) (34). Fit the Pulley over the Cable and align the Cable Trap Bracket to the Pulley so the Bracket holds the Cable into the Pulley. With a 3/8" X 2" HEX HEAD BOLT (66), bolt through the Cable Trap and Pulley and into the BASE PULLEY BRACKET (7) on the right side of the BASE FRAME (1) just to the front of the Weight stack. Align the Cable Trap Bracket at about four o'clock and fasten with a 3/8" NYLON LOCK NUT (63).

SPECIAL NOTE: The above pre-assembly of the 3 1/2" PULLEY (J) (34), the CABLE TRAP BRACKET (36) has been assembled only finger tight so that the WEIGHT STACK CABLE (40) may be assembled into the Pulley at this time. Assemble the Cable into the Pulley and tighten this assembly.



CONDITIONING GUIDELINES

The following guidelines will help you to plan and regulate your personal fitness program. Remember that adequate rest and good nutrition are also essential to the success of any fitness program. **BEFORE BEGINNING THIS OR ANY EXERCISE PROGRAM, CONSULT YOUR PHYSICIAN!**

EXERCISE INTENSITY

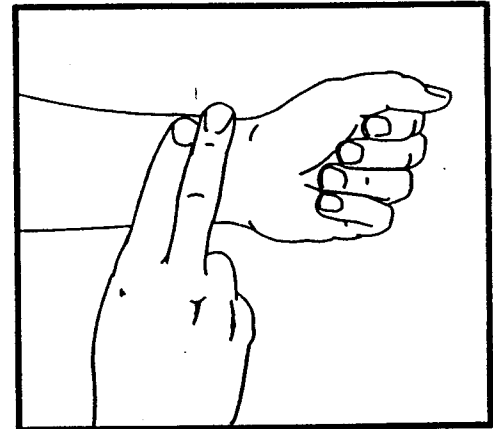
To maximize the benefits from exercising, your level of exertion must exceed mild demands while falling short of causing breathlessness and fatigue. The proper level of exertion can be determined using the heart rate as a guide. For effective aerobic exercise, the heart rate must be maintained at a level between 70% and 85% of your maximum heart rate. This is your "Training Zone". You can determine your Training Zone by consulting the table below. Training Zones are listed for both conditioned and unconditioned persons according to age. Use the column that is appropriate for you.

| AGE | UNCONDITIONED TRAINING ZONE (BEATS/MIN) | CONDITIONED TRAINING ZONE (BEATS /MIN) |
|-----|---|--|
| 20 | 138-167 | 133-162 |
| 25 | 136-166 | 132-160 |
| 30 | 135-164 | 130-158 |
| 35 | 134-162 | 129-156 |
| 40 | 132-161 | 127-155 |
| 45 | 131-159 | 125-153 |
| 50 | 129-156 | 124-150 |

| AGE | UNCONDITIONED TRAINING ZONE (BEATS/MIN) | CONDITIONED TRAINING ZONE (BEATS /MIN) |
|-----|---|--|
| 55 | 127-155 | 122-149 |
| 60 | 126-153 | 121-147 |
| 65 | 125-151 | 119-145 |
| 70 | 123-150 | 118-144 |
| 75 | 122-147 | 117-142 |
| 80 | 120-146 | 115-140 |
| 85 | 118-144 | 114-139 |

During the first few weeks of your exercise program, you should keep your heart rate near the low end of your Training Zone. Over the course of a few months, gradually increase your heart rate until it reaches the high end of your Training Zone. As your condition improves, a greater workload will be required in order to raise you heart rate to you Training Zone.

The easiest way to measure your heart rate is to stop exercising and place two fingers on your wrist where you feel a pulse. Carefully take a six-second heart beat count. (A six-second count is used because your heart rate will drop rapidly after you stop exercising.) Add a 0 to the result to find your heart rate. Compare your heart rate to your Training Zone. If your heart rate is too low, increase your level of exertion. If your heart rate is too high, decrease your level of exertion.



WORKOUT PATTERN

Each workout should consist of 5 basic parts: 1. AT REST, 2. WARMING -UP, 3. TRAINING ZONE EXERCISE 4. COOLING-DOWN 5. AT REST.

Warming up is an important part of every workout. Warming up prepares the body for more strenuous exercise by increasing circulation, delivering more oxygen to the muscles, and raising the body temperature. This can be down by stretching for 5-10 minutes prior to exercising.

After warming up, begin exercising at a low intensity level for a few minutes. Then increase the intensity to raise your heart rate to your Training Zone for a period of 20-30 minutes.

Cooling down after vigorous exercise is important in aiding circulation and preventing soreness. 5-10 minutes of stretching or light exercise will allow the body to cool down.,

EXERCISE FREQUENCY

To maintain or improve your condition, you must workout 2-3 times per week following the pattern described above. A day of rest between workouts is recommended. After several months of exercise, the number of workouts can be increased to 4-5 times per week. The key to a successful program is **REGULAR** exercise.

SUGGESTED STRETCHES

The following stretches provide a good warm-up, or cool-down. Move slowly as you stretch - never bounce.

HAM STRING STRETCH

Sit with one leg extended. Bring the sole of the opposite foot toward you, resting it against the extended leg's inner thigh. Stretch toward your toe as far as possible, hold for 15 counts, then relax. Repeat three times for both legs.

Stretches: Hamstrings, Lower Back and Groin

INNER THIGH STRETCH

Sit with the soles of your feet together and knees pointing outward. Pull your feet as close into the groin area as possible. Hold for 15 counts, then relax. Repeat three times.

Stretches: Quadriceps, Hip Muscles

TOE TOUCHES

Standing with your knees bent slightly, slowly bend forward from the hips. Allow your back and shoulders to relax as you stretch down toward your toes. Go as far as you can and hold for 15 counts, then relax. Repeat three times.

Stretches: Hamstrings, Back of Knees, Back

QUADRICEPS STRETCH

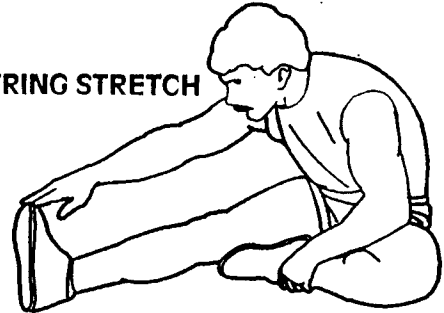
With one hand against a wall for balance, reach behind you and pull up your foot. Bring your heel as close to your buttocks as possible. Hold for 15 counts. Repeat.

Stretches: Quadriceps, Hip Muscles

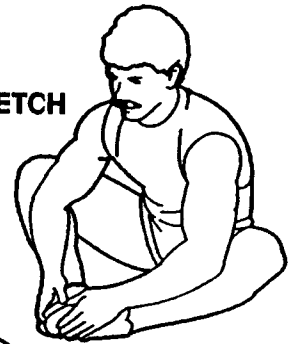
CALF/ACHILLES STRETCH

With one leg in front of the other and arms out, lean against the wall. Keep your back leg straight and back foot flat on the ground; then bend the front leg and lean forward by moving your hips toward the wall. Hold, then

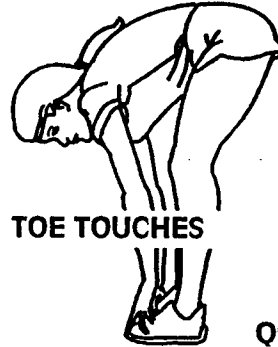
HAM STRING STRETCH



INNER THIGH STRETCH



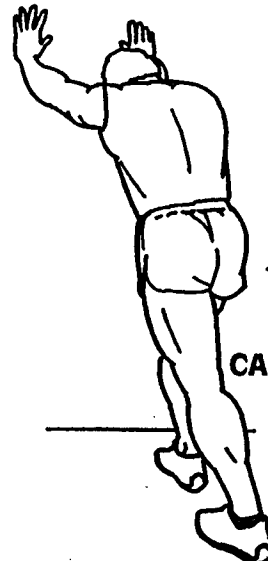
TOE TOUCHES



QUADRICEPS STRETCH



CALF/ACHILLES STRETCH



LIMITED WARRANTY

Weider Sporting Goods, Inc. warrants this item of equipment to be free from defects in material and/or workmanship for a period of 90 DAYS from the date of the original purchase (retail, mail order or otherwise) for use. Weider also warrants the frame of this item of equipment to be free from defects in material or workmanship for a period of THREE YEARS from the date of original purchase.

In the event of a defect in material or workmanship during the warranty period, Weider will repair or replace (at its option) the Equipment (or frame) under the conditions of this Warranty. Weider will do so at its expense for the cost of labor and materials but not for mailing except as noted.

LIMITATIONS, EXCLUSIONS AND OTHER RIGHTS:

Weider disclaims liability for any and all implied warranties except as set forth to the contrary herein. Some states do not allow limitations on how long an implied warranty lasts, so the above limitation may not apply to you.

Weider disclaims liability for indirect, incidental or consequential damages. This disclaimer applies during and after the warranty period. Some states do not allow the exclusion or limitation of incidental or consequential damages, so the above limitation or exclusion may not apply to you.

Weider is not responsible for damage to the Equipment caused by accident, theft, misuse, abuse, abnormal use or conditions, neglect or modifications.

This Warranty gives you specific legal rights, and you may have other rights which vary from state to state.

CLAIM PROCEDURE

If you discover a defect or malfunction during the period to which this Warranty applies, you must follow this procedure:

Write to: Parts Service Weider Sporting Goods 900 West St. John Street Olney, Illinois 62450

In your letter state your full name and address; the reason why you believe there is a defect or malfunction subject to this warranty; and the date and conditions under which the defect or malfunction occurred.

To obtain warranty you must include in your letter a copy of the sales receipt or other proof of date of purchase of the Equipment; otherwise no warranty will be issued. Upon receipt of your letter, Weider will make a preliminary determination of its responsibility to repair or replace under this Warranty.

PARTS SERVICE 1-800-225-0653

If Weider denies responsibility it will explain its decision in writing. If Weider accepts responsibility to repair or replace the item or part under the warranty it will notify you in writing to bring or ship the Equipment to a designated Weider facility or an authorized service station for repairs.

If Warranty repair or replacement is made at a Weider facility, the Equipment will be returned to you at Weider's expense. If Warranty repair or replacement is made at a service station, arrangements for the return of the Equipment must be made directly with the service station and are made at your expense.