

ES-T60

Solar Bluetooth speakers

User's Manual

Thank you for purchasing ES-T60 solar Bluetooth speaker

For Safty and well getting the after sales support service information about this product,please read the following user manual carefully before using .

1、 Product Introduction

The ES-T60 is a kind of Portable Solar Wireless Bluetooth Speaker for outdoors, with mainstream CSR Bluetooth module ,imported audio power amplifier, and Hi Fi speaker, you can enjoy high quality music under any enviroments.

Fully Support your music play needs in most of conditions.

10 Minutes charge by Solar panel could last 30 minutes of music playing.(comment: The data is based on the field test, it may with any differences under different conditions, such as different place, season and sunlight intensity in actual using). 1 hour charge by Solar panel could last 3 hours. (All testing data came from the Laboratory test, may with some difference due to different using conditions like volume, music type,sunlight etc.)

Stylish design always make you with a nice mood anywhere. 3 proofings also make the possibility to use the device under most of the outdoor enviroment. Waterproof, dustproof and breakingproof is one of the outstanding features of the product.

2、 Specifications

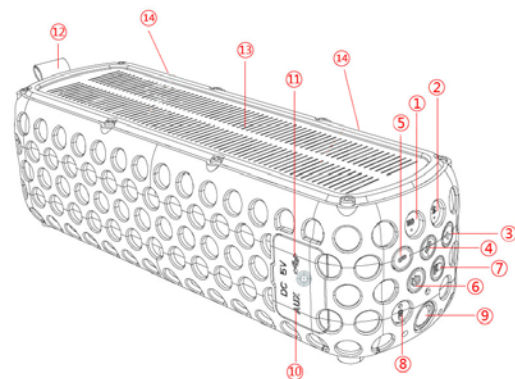
	Project	Parameter
1	Bluetooth specification	CSR BluetoothV4.0
2	Wireless transmission distance	10M
3	Audio Input	Bluetooth、AUX
4	Audio performance	Support AAC,MP3,SBC stereo
5	Audio signal to noise ratio	≥75dB
6	Distortion	≤0.1%
7	Output Power	4.5W * 2
8	Speaker	F40mm, Double magnetic 16 core 4Ω/5W
9	Frequency	100Hz - 18KHz

	response	
10	Operating Voltage	3.0 - 4.2V
12	Standby current	≤0.5mA
13	Built-in battery	lithium ion 2500mAh
14	Charging specification	5V/1A
15	Solar panel	Monocrystalline silicon 5V/200mA

3、 Product overview

- 1、 Charging indicator (red, green)
- 2、 Bluetooth indicator (red, blue)
- 3、 Next song / volume + (long press)
- 4、 Call answering / play / pause
- 5、 **previous** song / volume - (long press)

- 6、 Power switch
- 7、 flashlight switch
- 8、 Mini mic
- 9、 Flashlight
- 10、 AUX input
- 11、 DC Charging input
- 12、 Lanyard
- 13、 Solar panels
- 14、 Speaker



4、 Bluetooth Connection

1. Long press the power switch (6) more than 1.5 seconds at Turn off status. When the device with a Prompt Beep too Beep voice showing the Power on and get into the Bluetooth matching model. Bluetooth indicator (2) The red and blue light would flash alternately in this situation. (The product will shut down automatically if none of other devices sucessfully matched in 15 minutes).

2. Searching the bluetooth signal of nearby devices through your smart phone or any other devices and find the Product Name: ES-T60.

3. Select to connect ES-T60 after success of the connection,the blue light of the indicator(2) will keep lighting that means user connected to ES-T60 bluetooth speaker successfully to start enjoying the wonderful music. The blue light of indicater (2) keep blinking when any data is under transferring.

5、 Call answer and Dial out

1. When the bluetooth signal had been connected to your phone ,short pressing the Answer/play/pause (4) to answer the incoming phone call . Mini microphone (8) is the speaking port ,speak to here will get the best sound effects). Short pressing the Answer/play/pause (4) again to hang up the phone call.

2. At Bluetooth connection situation, long press the

answer / play / pause (4) could dial out the last call. Short press to hang up.

6、 AUX input to play music

Power on the ES-T60. In any status, connected to the audio equipment such as mobile phone with 3.5mm AUX audio cable to AUX input port(10). After a ‘bee’ noise, the sound of your audio equipment will be amplyfied by our ES-T60.

7、 Song switching and volume adjustment

1、 Short press the song / volume + (3), switch to the next song; Short press the song / volume - (5), switch to the previous song. (Note: AUX input mode, the switch song function is invalid)

2、 Long press a volume / volume + (3) the volume increases the volume to the maximum, long press the song / volume - (5) then the volume decreases.

3、 Press the answer / play / pause (4), play or pause music.

8、 Low battery warning

During the process of playing music, if the power is too low, the product will intermittent dongdongdong warning voice and the red light of indicator (2) blinks to remind users to charge for ES-T60 .

9、 Charging operation

1、 Charging by adaptor : any state, use the MICRO USB cable to charge, insert the MICRO USB end to the DC charging input (11), another end to the 5V / 1A adapter. Then the charge indicator (1) red light on, and the (1) red light off when fully charged.

2、 In any case, the product solar panels could be placed in the direction of the sun light (in the case of direct sunlight to reach the maximum power), you can automatically charge for the built-in battery of the device, the green light of indicator (1) brightly on. The (1) green light off after the device moved from sunlight .

10、 Flashlight

Turning on/off of the flashlight (9) by double clicking the flashlight switch (7).

The lighting status changed to be high blink(for security), SOS status by clicking the flashlight switch (7) when the flashlight on.

11、 Important safety information

Before using the portable speakers, you need to confirm compliance with the following basic safety instructions to ensure safe and reliable use of the product:

- 1、 Do read and understand all the safety guidelines.

- 2, Do comply with all marked on the product warning and guidance information.
- 3, Do use the device which with output DC 5V / 1A charging port, to avoid damage to equipment.
- 4, Do not let the product soaked or splashed any chemical liquid.
- 5, Do not let the product close to high temperature heat source, NO high temperature baking or dry.
- 6, Do not drop the product from the high place, no impacting, or under big pressure.

12. List of packaged items

The following items are included in the box. If you have any questions, please contact the seller:

- 1、ES-T60 Bluetooth Speaker: 1pc
- 2、Audio cable: 1 pc
- 3、USB charging cable: 1 pc
- 4、Velcro strap: 2 pcs
- 5、carabina: 1 pc
- 6、Manual: 1 pc

13. Troubleshooting

Boot automatically shut down: the battery is low, please use after charging;

Play back automatically shut down or restart: the battery is too low and cause the voltage is too low to play, please charge and then use;

Speaker No sound: check the volume is open; long press +a key to increase the volume

Button no function or function error: turn off after power on;

Can not be connected to the Bluetooth function: first determine whether to open the Bluetooth function, followed by Bluetooth device search, and finally determine whether the normal connection enabled the Bluetooth device;

▲Warning:

- Products within the sophisticated electronic components, non-professionals can not disassemble the product, so as not to accidentally hurt yourself or damage the product.
- There are lithium-ion batteries inside the product. Please pay attention to the use under the local laws and regulations, can not be discarded, pay attention to recycling.

FCC STATEMENT :

This device complies with Part 15 of the FCC Rules. Operation is subject to the following two conditions:

- (1) This device may not cause harmful interference, and
- (2) This device must accept any interference received,

including interference that may cause undesired operation. Warning: Changes or modifications not expressly approved by the party responsible for compliance could void the user's authority to operate the equipment.

NOTE: This equipment has been tested and found to comply with the limits for a Class B digital device, pursuant to Part 15 of the FCC Rules. These limits are designed to provide reasonable protection against harmful interference in a residential installation. This equipment generates uses and can

radiate radio frequency energy and, if not installed and used in accordance with the instructions, may cause harmful interference to radio communications. However, there is no guarantee that interference will not occur in a particular installation. If this equipment does cause harmful interference to radio or television reception, which can be determined by turning the equipment off and on, the user is encouraged to try to correct the interference by one or more of the following measures: Reorient or relocate the receiving antenna. Increase the separation between the equipment and receiver. Connect the equipment into an outlet on a circuit different from that to which the receiver is connected. Consult the dealer or an experienced radio/TV technician for help.

RF warning statement:

The device has been evaluated to meet general RF exposure requirement. The device can be used in portable exposure condition without restriction.