

## Wharfedale Diamond 75th Anniversary Special D9.1



### Specifications

<i>Mounting:</i>	Stand; bookshelf; wall
<i>Bass/Midrange Unit:</i>	5"
<i>Tweeter:</i>	25mm Textile Dome
<i>Recommended Amplifier Power:</i>	20 - 100 Watts
<i>Nominal Impedance:</i>	6 Ohms
<i>Sensitivity (1W/1Metre):</i>	86dB
<i>Frequency Range (-6 dB):</i>	50 Hz - 24 kHz
<i>HF limit (-10dB):</i>	44 kHz
<i>Freq Fb:</i>	50 Hz
<i>Crossover Frequency:</i>	2.2 kHz
<i>Dimensions (H x W x D):</i>	296 x 194 x 278 mm

Wharfedale loudspeakers are compatible with 4 and 8 Ohm amplifiers

## Service & Information



Product service enquiries should, in the first instance, be referred to the supplying dealer. In cases of difficulty or for other product enquiries please contact the appointed Wharfedale distributor for the country.

### United States of America

**IAG America, Inc.**  
8440 154th Avenue NE  
Redmond, Washington 98052  
Tel: +1 425 861 3909  
Fax: +1 425 861 3906

### UK (and information about all other territories)

**Wharfedale International Ltd.**  
IAG House, Sovereign Court,  
Ermine Business Park, Huntingdon,  
Cambs PE29 6XU, England.  
Tel: +44 (0)1480 447700  
Fax: +44 (0)1480 431767

### UK (and information about all other territories)

Room 2310 - 2311 Press Building,  
Shennan Road C, Shenzhen,  
China  
Tel: +86-755-82091200  
Fax: +86-755-82091205

The name WHARFEDALE is a registered trademark of Wharfedale International Limited. Wharfedale has a policy of continuous product development and reserves the right to change specification without notice.

# Wharfedale

Loudspeaker Manufacturers since 1932

In 1932, when Gilbert Briggs founded the Wharfedale Wireless Works, his company was at the leading edge of an exciting new technology which was dedicated to bringing the pleasure of music and entertainment to a wide range of people. As the technology advanced Wharfedale gave many music lovers their first taste of High Fidelity, mounting a series of live sound demonstrations which excited the audio world and heralded the era of the modern hi-fi loudspeaker.

Today, 75 years after our inception, Wharfedale still takes the same uncompromising approach to the design and manufacture of every loudspeaker system, using high quality components and state-of-the-art testing to ensure consistently high performance. And that means that you can continue to count on the quality of all Wharfedale products.

# Wharfedale

*Diamond 75th Anniversary Special D9.1*

## User Guide



COMMEMORATIVE LOUDSPEAKER - LIMITED EDITION

# Diamond 75th Anniversary Special D9.1 Installation and User Guide

## Introduction

For 75 years Wharfedale has been at the forefront of British loudspeakers. This special Anniversary edition of our most famous loudspeaker celebrates our long tradition. Constructed from the finest materials and hand finished by skilled craftsmen, we believe this loudspeaker is one of the finest in the world at any price.

Please read the instructions carefully before installing your Diamond 75th Anniversary Special D9.1 loudspeakers.

### General Advice and Safety Recommendations

- Before making connections to your sound system, switch off the amplifier and all connected sources.
- When you switch on the system or change sources, set the volume control to minimum and turn up the level gradually.
- Do not use your amplifier at full volume. The position of the Volume Control is NOT a reliable guide as to the maximum capabilities of your sound system.
- Playing the system with extreme settings of volume and tone

## Unpacking and Positioning

### Unpacking the Speakers

Carefully remove each loudspeaker from the packing carton. Be especially careful when removing the polythene bag. DO NOT attempt to lift the loudspeaker by the polythene bag. Retain the packing for future use. If you decide to dispose of the packing, please do so having regard to recycling regulations in your area.

### Positioning the Speakers

Your loudspeakers offer great flexibility of positioning. The loudspeakers should ideally be stand mounted though they may be placed on a rigid shelf. The loudspeakers also feature a threaded mount which accepts our specially designed wall bracket. Several floor stands and alternative wall brackets are available and your dealer will be pleased to recommend suitable designs.

The loudspeaker drive units are screened so they may safely be placed close to a TV screen without degrading the colour balance.

Your speakers can be positioned as close as 0.5m - 1m from a side wall. Ideally there should be at least 200mm between the backs of the cabinets and the walls. If the loudspeakers are positioned close to the wall they should be angled inwards slightly and be separated by a distance of 3 metres. If the loudspeakers are placed further away from the walls, the inward angle may be increased by up to 40%, although this may restrict the width of the listening position.

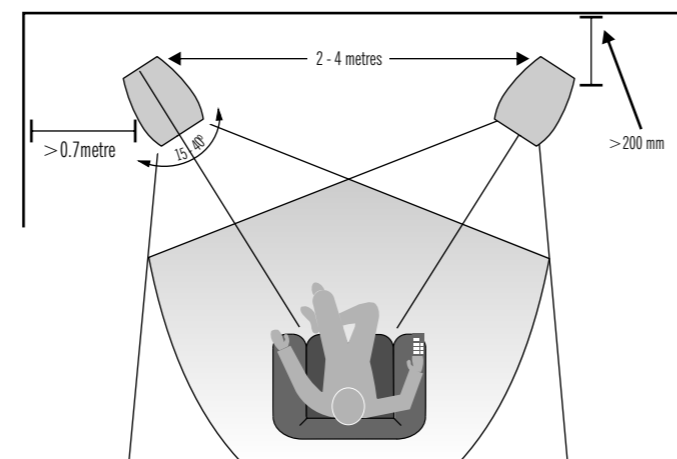
As a general rule the bass output will be higher when the

controls may damage the amplifier and loudspeakers.

- Do not connect loudspeaker terminals to the mains supply.
- Ensure that your loudspeakers are correctly wired.
- Do not subject your loudspeakers to excessive cold, heat or sunlight.
- **WARNING:** To reduce the risk of fire or electrical shock do not expose this product to rain or moisture. The product must not be exposed to dripping and splashing and no object filled with liquids such as a vase of flowers - should be placed on the product.
- No naked flame sources - such as candles - must be placed on the product.
- Do not place heavy objects on top of loudspeaker cabinets. If you wish to play your loudspeakers with their grilles removed be careful to protect the drive units from children and pets.
- Do not use makeshift stands. Always fit a manufacturer's approved stand using the instructions and the fixings provided. Your dealer will advise you.
- Do not attempt to dismantle the loudspeaker. There are no user serviceable parts inside and you will invalidate the warranty.

loudspeaker is positioned close to a wall and lower when the loudspeaker is positioned away from a wall. If they are placed too close to the walls the bass may boom and become indistinct. Please experiment with different configurations and play a range of music before finalising the position of the loudspeakers.

For the best results, place the loudspeakers on rigid stands, well away from the walls, between two and four metres apart and equidistant from the listening position. The loudspeakers should be angled slightly inward, facing the listener. Ideally the tweeters should be at ear level to a seated listener.



## Cables and Connections

### Choosing and Preparing Cables

Cable designed for audio applications will usually offer better performance than general purpose 'bell' or 'zip' wire. Choose a cable of suitable diameter - cable that is too thin will limit the dynamics of the sound and may impair the system's bass response. Audio cable is polarised, with two cores of different colours, or often a coloured tracer in the case of twin cable.

Split the twin cores to a depth of about 40mm. Carefully strip the insulation from each end, leaving about 10mm of bare wire. If the cable is stranded, lightly twist to gather any loose strands.

### Connecting Speaker Terminals

Unscrew the terminal. Thread the bared end of each cable through the hole in the bottom of the terminal post.

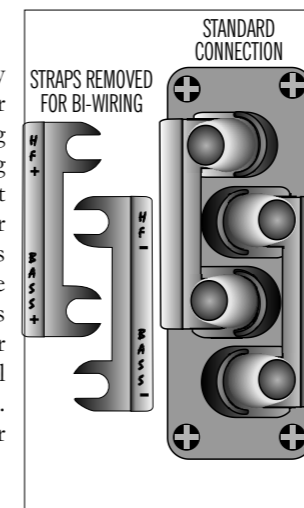
Ensure that there are no loose strands which may touch adjacent terminals. Retighten the terminal securely.



## Connecting and Using Your Loudspeakers

### Crossover Networks

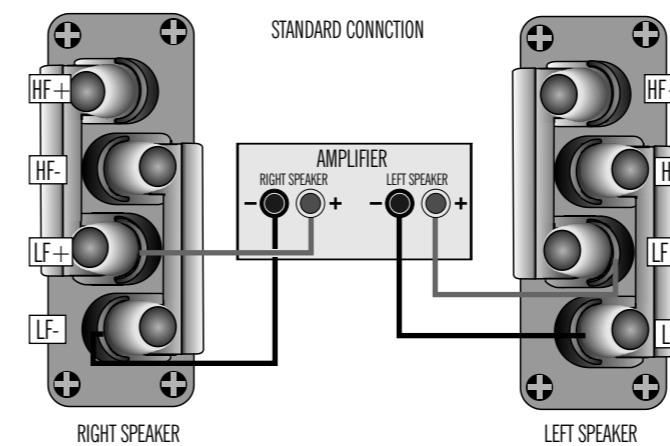
Your loudspeakers use a specially designed bi-wireable crossover panel with four terminal binding posts. Please follow the drawing carefully to see the correct orientation of the loudspeaker terminals. The upper terminals connect to the treble unit, the lower pair to the bass unit. As supplied, the treble terminal pair is connected to the bass terminal pair via removable metal straps. These should be left in place for standard installations.



### Standard Connections

Choose a suitable length of twin core speaker cable for each channel, and prepare the ends as described above.

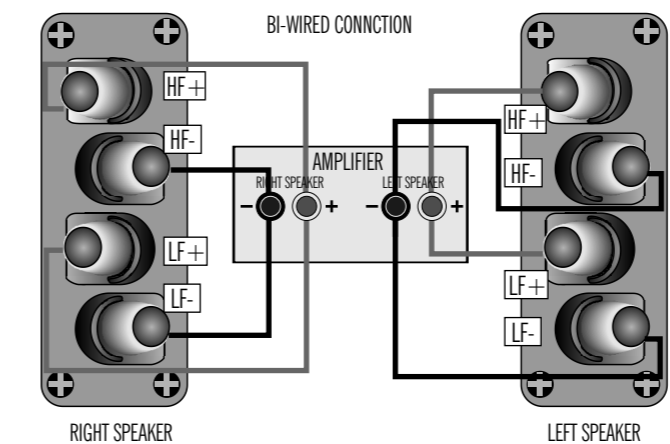
Connect the Red, positive (+) terminal of the Left loudspeaker to the corresponding Red, positive (+) amplifier terminal; connect the Black, negative (-) terminals similarly. Repeat for the Right Channel.



### Bi-Wiring

Using separate cables to feed the treble and bass units reduces intermodulation effects and improves headroom and clarity. The technique is known as Bi-Wiring. Bi-Wiring requires two lengths of twin core cable between the amplifier and each loudspeaker.

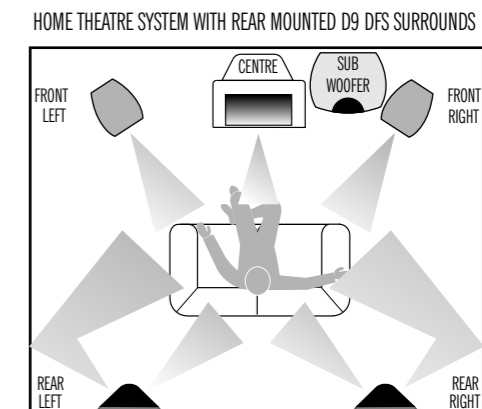
Unscrew each terminal a few turns and remove the metal straps. Connect the cables between the amplifier and the loudspeakers as indicated below and re-tighten all the terminals securely.



### Home Theatre

The 70th Anniversary loudspeakers are ideal for Home Theatre. To complete the system you should choose the Centre and Effects speakers with a partnering subwoofer from our award-winning Wharfedale Diamond 9 range

A typical Home Theatre system is illustrated. The Front loudspeakers should be placed on either side of the television screen, 2 to 4 metres apart. For fuller operating details, consult your AV processor, subwoofer and effects loudspeaker manuals.



Many digital AV Processors require you to specify the size of speakers in the various channels. These are usually 'Large' or 'Small'. The Rear and Centre channels should be set to 'Small'.

If a sub bass unit is in use set the Front channels to 'Small'. All the bass will now be routed through the sub bass unit. If no sub bass unit is in use, set the Front Channel to 'Large'. All the system bass is now routed through the Front speakers. Set the subwoofer channel on the processor to 'No' or 'Off'.

If your AV processor has an LFE control, use care as the LFE channel may contain heavy low frequencies which can overload a domestic unit. If you hear popping or thumping noises coming from the Front speakers or the sub bass unit, turn the AV Processor's volume level down and back off the LFE level.

### Phase

If the sound lacks definition or the bass is indistinct, the speakers could be incorrectly wired (out of phase). In this case check the wiring to the loudspeakers, especially if your speakers are bi-wired.

### Ancillary Equipment

A loudspeaker is only as good as the signal it gets. Your amplifier should have ample power - a low powered amplifier could run out of steam and the distortion is unpleasant to listen to and could damage your speakers. A large amplifier will sound better and enhance the reliability and performance of your loudspeakers.

### Running In

Loudspeakers need a 'running in' period. For the first 50 hours or so exercise care and play your system at reasonable volume levels. After running in, you will notice a significant sonic improvement.

### Care and Maintenance

The cabinets can be occasionally wiped with a damp (not wet) cloth and buffed with a soft cloth. To clean the grilles, remove them and brush gently with a soft brush. Never use solvent cleaners, minor stains are best removed with soap and lukewarm water. Do not touch the drive units as they can easily be damaged.

For further information on a variety of hi-fi and audio-visual topics, visit our website at [www.wharfedale.co.uk](http://www.wharfedale.co.uk)