



MICROWAVE HOOD COMBINATION

Use and Care Guide

For questions about features, operation/performance, parts, accessories or service, call: **1-866-664-2449**.
In Canada, for assistance, installation or service, call: **1-866-664-2449**.

For warranty concerns, do not take the appliance back to the store. Please contact us in U.S.A. or Canada at **1-866-664-2449**.
This product features a Limited Warranty - See the "Warranty" section for complete details. IKEA appliances carry a 5 year warranty (excludes LAGAN family - see warranty for coverage details).
NOTE: Proof of Purchase is required to obtain warranty service.

COMBINACIÓN MICROONDAS CAMPANA

Manual de uso y cuidado

Para consultas respecto a características, operación/desempeño, partes, accesorios o servicio, llame al: **1-866-664-2449**.
En Canadá, para asistencia, instalación o servicio llame al: **1-866-664-2449**.

Si tiene dudas acerca de la garantía, no devuelva el aparato a la tienda. Póngase en contacto con nosotros en los EE.UU. o en Canadá al **1-866-664-2449**.

Este producto tiene una garantía limitada - Consulte la sección "Garantía" para obtener todos los detalles. Los aparatos IKEA tienen una garantía de 5 años (excluyendo los de la familia LAGAN - consulte la garantía para ver los detalles acerca de la cobertura).

NOTA: Se requiere la prueba de compra para obtener servicio bajo la garantía.

ENSEMBLE FOUR À MICRO-ONDES/HOTTE

Guide d'utilisation et d'entretien

Au Canada, pour assistance, installation ou service composez le **1-866-664-2449**.

Pour toute question concernant l'application de la garantie, ne pas rapporter l'appareil au magasin. Veuillez nous contacter aux É.-U. ou au Canada au **1-866-664-2449**.

Ce produit est couvert par une garantie limitée - Voir la section "Garantie" pour des détails complets. Les appareils IKEA sont couverts par une garantie de 5 ans (hormis les appareils de la série LAGAN - voir la garantie pour des détails concernant les modalités de garantie).

REMARQUE : Une preuve d'achat est obligatoire pour obtenir l'application de la garantie.

Table of Contents/Índice/Table des matières2, 3

Models/Modelos/Modèles IMH1205 IMH2205

W10464602A

TABLE OF CONTENTS

WARRANTY	3	Microwave Cooking Power	12
MICROWAVE HOOD COMBINATION SAFETY	5	Manual Cooking	13
Electrical Requirements	6	Cooking in Stages (or steps)	13
PARTS AND FEATURES	7	Sensor Cooking	13
Turntable	7	Preset Cook	14
Cooking Rack	7	Reheat	14
MICROWAVE OVEN CONTROL	8	Defrost	15
Display	8	Quick Defrost	15
Start	8	Popcorn	16
Off Cancel	8	Baked Potato	16
Add 30 Seconds	9	Frozen Entrée	16
Clock	9	Veggies	16
Tones	9	Warm Hold	17
Demo Mode	9	MICROWAVE OVEN CARE	17
Vent Fan	9	General Cleaning	17
Cooktop Light	9	Replacing Filters	18
Setup Menu	10	Replacing Microwave Oven Light	19
Control Lock	10	Replacing Cooktop Light	19
MICROWAVE OVEN USE	11	TROUBLESHOOTING	19
Food Characteristics	11	ASSISTANCE OR SERVICE	21
Cooking Guidelines	11	In the U.S.A.	21
Cookware and Dinnerware	12	In Canada	21
Aluminum Foil and Metal	12	Replacement Parts	21

ÍNDICE

WARRANTY	3	Microwave Cooking Power	12
MICROWAVE HOOD COMBINATION SAFETY	5	Manual Cooking	13
Electrical Requirements	6	Cooking in Stages (or steps)	13
PARTS AND FEATURES	7	Sensor Cooking	13
Turntable	7	Preset Cook	14
Cooking Rack	7	Reheat	14
MICROWAVE OVEN CONTROL	8	Defrost	15
Display	8	Quick Defrost	15
Start	8	Popcorn	16
Off Cancel	8	Baked Potato	16
Add 30 Seconds	9	Frozen Entrée	16
Clock	9	Veggies	16
Tones	9	Warm Hold	17
Demo Mode	9	MICROWAVE OVEN CARE	17
Vent Fan	9	General Cleaning	17
Cooktop Light	9	Replacing Filters	18
Setup Menu	10	Replacing Microwave Oven Light	19
Control Lock	10	Replacing Cooktop Light	19
MICROWAVE OVEN USE	11	TROUBLESHOOTING	19
Food Characteristics	11	ASSISTANCE OR SERVICE	21
Cooking Guidelines	11	In the U.S.A.	21
Cookware and Dinnerware	12	In Canada	21
Aluminum Foil and Metal	12	Replacement Parts	21

TABLE DES MATIÈRES

WARRANTY	3	Microwave Cooking Power	12
MICROWAVE HOOD COMBINATION SAFETY	5	Manual Cooking	13
Electrical Requirements	6	Cooking in Stages (or steps)	13
PARTS AND FEATURES	7	Sensor Cooking	13
Turntable	7	Preset Cook	14
Cooking Rack	7	Reheat	14
MICROWAVE OVEN CONTROL	8	Defrost	15
Display	8	Quick Defrost	15
Start	8	Popcorn	16
Off Cancel	8	Baked Potato	16
Add 30 Seconds	9	Frozen Entrée	16
Clock	9	Veggies	16
Tones	9	Warm Hold	17
Demo Mode	9	MICROWAVE OVEN CARE	17
Vent Fan	9	General Cleaning	17
Cooktop Light	9	Replacing Filters	18
Setup Menu	10	Replacing Microwave Oven Light	19
Control Lock	10	Replacing Cooktop Light	19
MICROWAVE OVEN USE	11	TROUBLESHOOTING	19
Food Characteristics	11	ASSISTANCE OR SERVICE	21
Cooking Guidelines	11	In the U.S.A.	21
Cookware and Dinnerware	12	In Canada	21
Aluminum Foil and Metal	12	Replacement Parts	21

IKEA MAJOR APPLIANCE WARRANTY

How long is the IKEA limited warranty valid?

This limited warranty is valid for five years from the date of purchase, when this major appliance is operated and maintained according to instructions attached to or furnished with the product, unless the appliance is named LAGAN in which case this limited warranty is valid for one year from the date of purchase. This limited warranty is valid only in the United States or Canada and applies only when the major appliance is used in the country in which it was purchased. Proof of original purchase date is required to obtain service under this limited warranty.

Which appliances are not covered by the IKEA five (5) year limited warranty?

For major appliances named “LAGAN,” this limited warranty is valid for one year from the date of purchase.

Who will execute the service?

This limited warranty is provided by Whirlpool Corporation or Whirlpool Canada LP (hereafter “Whirlpool”). Service must be provided by a Whirlpool designated service company.

What does this limited warranty cover?

The limited warranty will pay for factory specified parts and repair labor to correct defects in materials or workmanship that existed when the major appliance was purchased. The exceptions are specified under the headline “What is not covered under this limited warranty?”.

What will be done to correct the problem?

The designated service company will examine the product and decide, at its sole discretion, if it is covered under this limited warranty. If considered covered, the designated service company will then repair the defect. Your sole and exclusive remedy under this limited warranty shall be product repair as provided herein.

What is not covered under this limited warranty?

- Service calls to correct the installation of your major appliance, to instruct you on how to use your major appliance, to replace or repair house fuses, or to correct house wiring or plumbing.
- Service calls to repair or replace appliance light bulbs, air filters or water filters. Consumable parts are excluded from warranty coverage.
- Replacement parts or repair labor if this major appliance is used for other than normal, single-family household use or when it is used in a manner that is inconsistent to published user or operator instructions and/or installation instructions.
- Damage resulting from accident, alteration, misuse, abuse, fire, flood, acts of God, improper installation, installation not in accordance with electrical or plumbing codes, or use of consumables or cleaning products not approved for use.
- Cosmetic damage, including scratches, dents, chips or other damage to the finish of your major appliance, unless such damage results from defects in materials or workmanship and is reported within 30 days from the date of purchase.

- Any food loss or medicine loss due to refrigerator or freezer product failures.
- Pick up and delivery. This major appliance is intended to be repaired in your home.
- Repairs to parts or systems resulting from unauthorized modifications made to the appliance.
- Expenses for travel and transportation for product service if your major appliance is located in a remote area where service by an authorized servicer is not available.
- The removal and reinstallation of your major appliance if it is installed in an inaccessible location or is not installed in accordance with published installation instructions.
- Replacement parts or repair labor on major appliances with original model/serial numbers that have been removed, altered or cannot be easily determined.

The cost of repair or replacement under these excluded circumstances shall be borne by the customer.

Disclaimer of Implied Warranties

IMPLIED WARRANTIES, INCLUDING ANY IMPLIED WARRANTY OF MERCHANTABILITY OR IMPLIED WARRANTY OF FITNESS FOR A PARTICULAR PURPOSE, ARE LIMITED TO FIVE YEARS (ONE YEAR FOR MAJOR APPLIANCES NAMED "LAGAN") OR THE SHORTEST PERIOD ALLOWED BY LAW. Some states and provinces do not allow limitations on the duration of implied warranties of merchantability or fitness, so this limitation may not apply to you. This warranty gives you specific legal rights, and you also may have other rights that vary from state to state or province to province.

Limitation of Remedies; Exclusion of Incidental and Consequential Damages

YOUR SOLE AND EXCLUSIVE REMEDY UNDER THIS LIMITED WARRANTY SHALL BE PRODUCT REPAIR AS PROVIDED HEREIN. WHIRLPOOL SHALL NOT BE LIABLE FOR INCIDENTAL OR CONSEQUENTIAL DAMAGES. Some states and provinces do not allow the exclusion or limitation of incidental or consequential damages, so these limitations and exclusions may not apply to you. This warranty gives you specific legal rights, and you also may have other rights that vary from state to state or province to province.

How to reach us if you need our service

If outside the 50 United States and Canada, contact your authorized IKEA retailer to determine if another warranty applies.

If you need service, please read the Installation Instructions and/or the "Troubleshooting" section of the Use & Care Guide before contacting us. If you need additional help, do not hesitate to contact us in the U.S.A. and Canada at **1-866-664-2449**.

2/09

Keep this book and your sales slip together for future reference. You must provide proof of purchase or installation date for in-warranty service.

Write down the following information about your major appliance to better help you obtain assistance or service if you ever need it. You will need to know your complete model number and serial number. You can find this information on the model and serial number label located on the product.

Dealer name _____
 Address _____
 Phone number _____
 Model number _____
 Serial number _____
 Purchase date _____

MICROWAVE HOOD COMBINATION SAFETY

Your safety and the safety of others are very important.

We have provided many important safety messages in this manual and on your appliance. Always read and obey all safety messages.



This is the safety alert symbol.

This symbol alerts you to potential hazards that can kill or hurt you and others.

All safety messages will follow the safety alert symbol and either the word “DANGER” or “WARNING.”

These words mean:

⚠ DANGER

You can be killed or seriously injured if you don't immediately follow instructions.

⚠ WARNING

You can be killed or seriously injured if you don't follow instructions.

All safety messages will tell you what the potential hazard is, tell you how to reduce the chance of injury, and tell you what can happen if the instructions are not followed.

IMPORTANT SAFETY INSTRUCTIONS

When using electrical appliances basic safety precautions should be followed, including the following:

WARNING: To reduce the risk of burns, electric shock, fire, injury to persons, or exposure to excessive microwave energy:

- Read all instructions before using the microwave oven.
 - Read and follow the specific “PRECAUTIONS TO AVOID POSSIBLE EXPOSURE TO EXCESSIVE MICROWAVE ENERGY” found in this section.
 - The microwave oven must be grounded. Connect only to properly grounded outlet. See “GROUNDING INSTRUCTIONS” found in this section and in the provided Installation Instructions.
 - Install or locate the microwave oven only in accordance with the provided Installation Instructions.
 - Some products such as whole eggs in the shell and sealed containers – for example, closed glass jars – are able to explode and should not be heated in the microwave oven.
 - Use the microwave oven only for its intended use as described in this manual. Do not use corrosive chemicals or vapors in the microwave oven. This type of oven is specifically designed to heat, cook, or dry food. It is not designed for industrial or laboratory use.
 - As with any appliance, close supervision is necessary when used by children.
 - Do not operate the microwave oven if it has a damaged cord or plug, if it is not working properly, or if it has been damaged or dropped.
 - The microwave oven should be serviced only by qualified service personnel. Call an authorized service company for examination, repair, or adjustment.
 - See door surface cleaning instructions in the “Microwave Oven Care” section.
- To reduce the risk of fire in the oven cavity:
 - Do not overcook food. Carefully attend the microwave oven when paper, plastic, or other combustible materials are placed inside the oven to facilitate cooking.
 - Remove wire twist-ties from paper or plastic bags before placing bags in oven.
 - If materials inside the oven ignite, keep oven door closed, turn oven off, and disconnect the power cord, or shut off power at the fuse or circuit breaker panel.
 - Do not use the cavity for storage purposes. Do not leave paper products, cooking utensils, or food in the cavity when not in use.
 - Liquids, such as water, coffee, or tea are able to be overheated beyond the boiling point without appearing to be boiling. Visible bubbling or boiling when the container is removed from the microwave oven is not always present. **THIS COULD RESULT IN VERY HOT LIQUIDS SUDDENLY BOILING OVER WHEN THE CONTAINER IS DISTURBED OR A SPOON OR OTHER UTENSIL IS INSERTED INTO THE LIQUID.**
 - To reduce the risk of injury to persons:
 - Do not overheat the liquid.
 - Stir the liquid both before and halfway through heating it.
 - Do not use straight-sided containers with narrow necks.
 - After heating, allow the container to stand in the microwave oven for a short time before removing the container.
 - Use extreme care when inserting a spoon or other utensil into the container.
 - Oversized foods or oversized metal utensils should not be inserted in the microwave oven as they may create a fire or risk of electric shock.
 - Do not clean with metal scouring pads. Pieces can burn off the pad and touch electrical parts involving a risk of electric shock.

SAVE THESE INSTRUCTIONS

IMPORTANT SAFETY INSTRUCTIONS

- Suitable for use above both gas and electric cooking equipment.
- Intended to be used above ranges with maximum width of 36" (91.44 cm).
- Clean Ventilating Hoods Frequently - Grease should not be allowed to accumulate on hood or filter.
- Do not use paper products when appliance is operated in convection, combination, grill or "PAN BROWN" mode (on models with such features).
- Do not store any materials, other than manufacturer's recommended accessories, in this oven when not in use.
- Do not store anything directly on top of the microwave oven when the microwave oven is in operation.
- When flambeing foods under the hood, turn the fan on.
- Use care when cleaning the vent-hood filter. Corrosive cleaning agents, such as lye-based oven cleaners, may damage the filter.
- Do not cover or block any openings on the microwave oven.
- Do not store this microwave oven outdoors. Do not use the microwave oven near water - for example, near a kitchen sink, in a wet basement, or near a swimming pool, or similar locations.
- Do not immerse cord or plug in water.
- Keep cord away from heated surfaces.
- Do not let cord hang over edge of table or counter.
- Do not mount over a sink.
- Do not cover racks or any other part of the oven with metal foil. This will cause overheating of the oven.

SAVE THESE INSTRUCTIONS

PRECAUTIONS TO AVOID POSSIBLE EXPOSURE TO EXCESSIVE MICROWAVE ENERGY

- (a) Do not attempt to operate this oven with the door open since open-door operation can result in harmful exposure to microwave energy. It is important not to defeat or tamper with the safety interlocks.
- (b) Do not place any object between the oven front face and the door or allow soil or cleaner residue to accumulate on sealing surfaces.
- (c) Do not operate the oven if it is damaged. It is particularly important that the oven door close properly and that there is no damage to the:
 - (1) Door (bent),
 - (2) Hinges and latches (broken or loosened),
 - (3) Door seals and sealing surfaces.
- (d) The oven should not be adjusted or repaired by anyone except properly qualified service personnel.

Electrical Requirements

⚠ WARNING



Electrical Shock Hazard

Plug into a grounded 3 prong outlet.

Do not remove ground prong.

Do not use an adapter.

Do not use an extension cord.

Failure to follow these instructions can result in death, fire, or electrical shock.

Observe all governing codes and ordinances.

Required:

- A 120 volt, 60 Hz, AC only, 15- or 20-amp electrical supply with a fuse or circuit breaker.

Recommended:

- A time-delay fuse or time-delay circuit breaker.
- A separate circuit serving only this microwave oven.

GROUNDING INSTRUCTIONS

■ For all cord connected appliances:

The microwave oven must be grounded. In the event of an electrical short circuit, grounding reduces the risk of electric shock by providing an escape wire for the electric current. The microwave oven is equipped with a cord having a grounding wire with a grounding plug. The plug must be plugged into an outlet that is properly installed and grounded.

WARNING: Improper use of the grounding plug can result in a risk of electric shock. Consult a qualified electrician or serviceman if the grounding instructions are not completely understood, or if doubt exists as to whether the microwave oven is properly grounded.

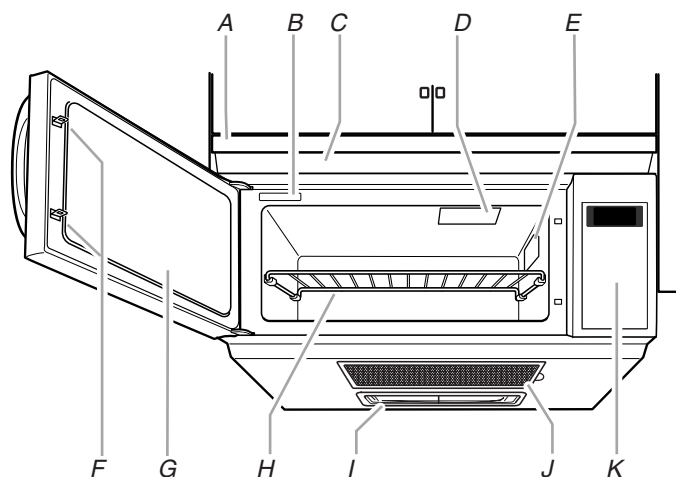
Do not use an extension cord. If the power supply cord is too short, have a qualified electrician or serviceman install an outlet near the microwave oven.

SAVE THESE INSTRUCTIONS

This device complies with Part 18 of the FCC Rules.

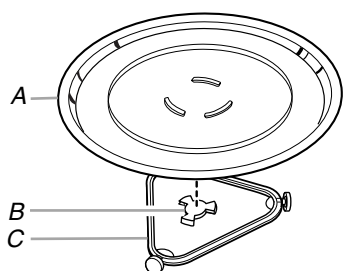
PARTS AND FEATURES

This manual may cover several different models. The model you have purchased may have some or all of the features shown here. The appearance of your particular model may differ slightly from the illustrations in this manual.



- | | |
|---|-------------------------------------|
| A. Vent grille | H. Cooking rack |
| B. Model and serial number plate | I. Cooktop light |
| C. Charcoal filter (behind vent grille) | J. Grease filter |
| D. Microwave oven light | K. Control panel |
| E. Microwave inlet cover | Parts and Features not shown |
| F. Door lock system | Turntable |
| G. Window | |

Turntable



- A. Turntable
B. Hub
C. Support

The turntable can rotate in either direction to help cook food more evenly. For best cooking results, do not operate the microwave oven without having the turntable in place. See "Assistance or Service" to reorder any of the parts.

To Install:

1. Remove tape from the hub.
2. Place the support on the microwave oven cavity bottom.
3. Place the turntable on the support.

Fit the raised, curved lines in the center of the turntable bottom between the three spokes of the hub. The rollers on the support should fit inside the turntable bottom ridge.

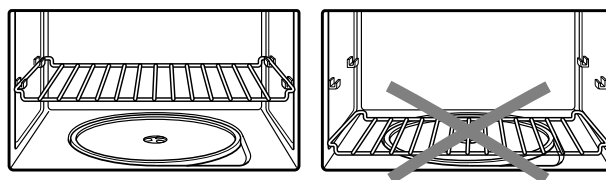
Turning Off the Turntable

The turntable can be turned off for manual cooking cycles only. This is helpful when cooking with plates that are larger than the turntable, or when cooking with 2 plates that are side by side.

To Turn Off: Touch TURNTABLE ON/OFF. A "turntable off" icon will appear in the display. The turntable will turn back on automatically when cooking is over or OFF CANCEL is touched.

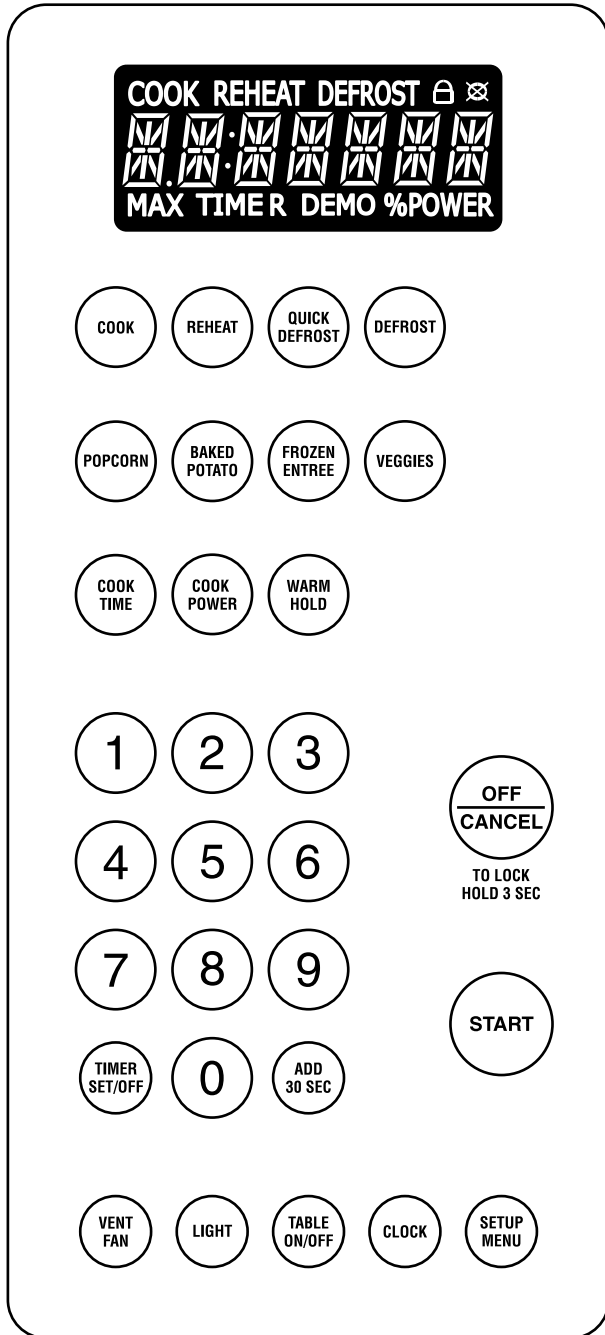
Cooking Rack

The cooking rack is ideal for two-level cooking. It provides extra cavity space for cooking 2 or more containers at the same time. Insert the rack securely into the rack supports on the side walls of the microwave oven. See "Assistance or Service" section to order replacement parts.



- When not using the rack for cooking, remove it from the microwave oven. Damage to the microwave oven could result if someone unintentionally turns on the microwave oven.
- Rack will become hot. Always use oven mitts or pot holders when handling.
- To avoid damage to the microwave oven, do not allow the rack to touch the inside cavity walls, ceiling or floor.
- Use the rack only when cooking on 2 levels.
- To avoid damage to the microwave oven, do not use metal cookware, utensils, or a browning dish with the rack.
- To avoid damage to the microwave oven, do not let food container on rack touch the top or sides of the microwave oven.
- Remove rack before using Popcorn function.
- Do not cook food directly on the rack. Always use a microwave-safe container.
- The rack is designed specifically for this microwave oven. Do not attempt to use any other rack in this microwave oven.
- To avoid damage to the microwave oven due to soil buildup, clean rack supports often (see "General Cleaning" section).

MICROWAVE OVEN CONTROL



Display

When power is first supplied to the microwave oven, the language prompt ("PRESS 1-ENGL 2-FRNCH") will scroll across the display. Follow the prompts to select the language, then follow the subsequent prompts to set the clock.

If an invalid value is entered, the invalid entry tones will sound, and the input prompt will scroll again in the display. Retry your entry. If no inputs are entered, the microwave oven will go into standby mode, the ":" will blink in the display, and the language will default to English. The display language may be changed using the Setup Menu. See "Setup Menu" section.

If the blinking colon (":") appears at any other time, a power failure has occurred. See "Clock" section for clock setting instructions. See "Setup Menu" section for language changing instructions.

When the microwave oven is in use, the display shows the cooking power, cook time remaining, operating function, quantities, weights and/or prompts. Then the microwave oven is not in use (in standby mode), the display shows the time of day (if clock is set) or Timer countdown (if Timer has been activated).

The speed of the scrolling text may be adjusted, if necessary. See "Setup Menu" section for instructions.

Start

The START control begins any function. If it is not touched within 5 seconds after touching a function control or a number pad, "PRESS START OR COOK POWER" will scroll in the display as a reminder. If cooking is interrupted by opening the door, touching START will resume the preset cycle.

NOTE: To avoid unintentional operation of the microwave oven, a cooking function cannot be started if the microwave oven door has been closed for about 5 minutes. "OPEN AND CLOSE DOOR" will scroll in the display as a reminder. Open and close the door, then touch START.

Off Cancel

The OFF CANCEL control clears any incorrect command, and cancels the program during cooking. It will not erase the time of day.

The microwave oven will also turn off when the door is opened. Close the door and touch START to resume the cycle.

The OFF CANCEL control is also used to lock and unlock the control panel. See "Control Lock" section.

Add 30 Seconds

The ADD 30 SEC control automatically starts the microwave oven at 100% power for 30 seconds, and adds 30 seconds of cook time, up to 10 minutes, with each additional touch of the control.

Touching ADD 30 SEC during a manual cook cycle will add 30 seconds of cook time at the current cook power.

NOTE: To avoid unintentional operation of the microwave oven, a cooking function cannot be started if the microwave oven door has been closed for about 5 minutes. "OPEN AND CLOSE DOOR" will scroll in the display as a reminder. Open and close the door, then touch ADD 30 SEC.

Clock

This is a standard 12-hour clock (12:00-11:59) with a.m. and p.m.

To Set:

The microwave oven and timer must be off (in standby mode).

1. Touch CLOCK.
2. Touch the number pads to set the time of day.
3. Touch CLOCK or START.

To Remove:

1. Touch CLOCK.
2. Touch 0.
3. Touch CLOCK.

The time will disappear, and ":" will appear on the display.

Tones

Tones are audible signals that can be turned off using the Setup Menu. See "Setup Menu" section. These tones indicate the following:

One tone

- Valid entry (short tone)
- End of Timer countdown
- Reminder, repeat each minute after end-of-Timer tone

Two tones

- End of stage in multistage cooking
- Control Lock active
- Hidden feature has been entered or exited
- Reminder, repeat each minute after the end-of-cycle tones

Three tones

- Invalid entry (short tones)
- Turn, stir, add or remove food

Four tones

- End of cycle
 - Attention (door open during sensing) (short tones)
-

Demo Mode

The Demo Mode is ideal for learning how to use the microwave oven. When set, functions can be entered, with real displays and tones, without actually turning on the microwave generator (magnetron). While functions are operating in the Demo Mode, the microwave oven light will come on, the fan will run, and the turntable will rotate (if set ON).

While the Demo Mode is active, the DEMO indicator is shown in the display. During cook functions that are operating in Demo mode, the DEMO indicator will blink. If a control pad is touched after 5 minutes of inactivity, a reminder will scroll in the display.

To Activate/Deactivate Demo Mode: Touch SETUP MENU and follow the prompts for "DEMO MODE." See "Setup Menu" section.

Vent Fan

The vent (exhaust) fan has 3 speeds: high, medium and low.

The vent fan is also the cooling fan, and will start at low speed when any cooking function begins. It will remain on until the cooking function ends.

To keep the microwave oven from overheating, the vent fan will automatically turn on at high speed if the temperature on the range or cooktop below the microwave oven gets too hot. It may stay on for up to 5 minutes to cool the microwave oven. When this occurs, the vent fan cannot be turned off. If the vent fan pad is touched during automatic fan operation, "AUTO FAN IS ON, FAN SPEED WILL REMAIN ON UNTIL HEAT IS NO LONGER SENSED" will scroll in the display as a reminder.

During automatic cooling, sensor functions may be temporarily disabled until microwave oven has been cooled.

To Turn Vent Fan On/Off: Touch VENT FAN pad once for high, twice for medium, 3 times for low or 4 times for off.

Vent Timer

The vent fan may be set to run for 30 minutes, then shut off automatically by touching SETUP MENU, and following the prompts for "VENT TIMER." See "Setup Menu" section.

Filters

The "CLEAN/CHANGE FILTERS" message may scroll in the display when the VENT FAN pad is touched. See "Replace Filters" section for information on filter maintenance.

After filters are replaced, reset the filter status by touching SETUP MENU, and following the prompts for "FILTER RESET." See "Setup menu" section.

Cooktop Light

The cooktop light has 3 settings: high, low and off.

To Turn Light On/Off: Touch LIGHT pad once for high, twice for low or 3 times for off.

Light Timer

NOTE: Clock must be set in order to use this feature.

The cooktop light may be programmed to turn on and off at certain times daily. Program the light on and off times, and/or set the light timer on or off by touching SETUP MENU, and following the prompts to "LIGHT TIMER." See "Setup Menu" section.

Setup Menu

Microwave oven features may be activated/deactivated and settings may be adjusted using the SETUP MENU control. During setup, the display prompts will guide you through each setting selection. Following is a brief description of each setup option.

OPTION	DESCRIPTION/SETTINGS
1-Vent Timer	Turn on or off vent timer. See "Vent Fan" section.
2-Light Timer	Setup light timer (set time on and time off), or cancel light timer*. See "Cooktop Light" section. NOTE: Clock must be set in order to use this feature.
3-Filter Reset	Reset filter status. See "Replace Filters" section.
4-Sound On/Off	Turn on or off "KEY SOUND" (valid/invalid entry tones), or turn on or off "ALL SOUND" (all tones). See "Tones" section.
5-Scroll Speed	Adjust speed of scrolling text to slow, normal or fast.
6-Demo Mode	Turn Demo Mode on or off. See "Demo Mode" section.
7-Language	Change display language to English or French.

*The "CANCEL LIGHT TIMER" option is available after initial light timer setup.

To Use SETUP MENU:

1. With microwave oven in standby mode, touch SETUP MENU.
The list of options will scroll in the display.
2. Touch SETUP MENU repeatedly until the desired option is displayed,
or
Touch number pad of desired option.
The available option settings will scroll in the display
3. Follow the prompts to select the desired settings.
4. Touch START, when prompted, to confirm selections.

Control Lock

The Control Lock shuts down the control panel pads to avoid unintended use of the microwave oven.

When the control is locked, only the Vent Fan and Light pads will function. If any other control pad is touched, "LOCKED" will appear in the display and the invalid entry tones will sound.

To Lock/Unlock Control: The microwave oven must be in standby mode. Touch and hold OFF CANCEL for 3 seconds until 2 tones sound and a padlock icon appears in the display. Repeat to unlock and remove the padlock icon from display.

MICROWAVE OVEN USE

A magnetron in the microwave oven produces microwaves which reflect off the metal floor, walls and ceiling and pass through the turntable and appropriate cookware to the food. Microwaves are attracted to and absorbed by fat, sugar and water molecules in the food, causing them to move, producing friction and heat which cooks the food.

- To avoid damage to the microwave oven, do not lean on or allow children to swing on the microwave oven door.
- To avoid damage to the microwave oven, do not operate microwave oven when it is empty.
- Baby bottles and baby food jars should not be heated in microwave oven.
- Clothes, flowers, fruit, herbs, wood, gourds, paper, including brown paper bags and newspaper, should not be dried in microwave oven.
- Paraffin wax will not melt in the microwave oven because it does not absorb microwaves.
- Use oven mitts or pot holders when removing containers from microwave oven.
- Do not overcook potatoes. At the end of the recommended cook time, potatoes should be slightly firm. Let potatoes stand for 5 minutes. They will finish cooking while standing.
- Do not cook or reheat whole eggs inside the shell. Steam buildup in whole eggs may cause them to burst, requiring significant cleanup of microwave oven cavity. Cover poached eggs and allow a standing time.

Food Characteristics

When microwave cooking, the amount, size and shape, starting temperature, composition and density of the food affect cooking results.

Amount of Food

The more food heated at once, the longer the cook time needed. Check for doneness and add small increments of time if necessary.

Size and Shape

Smaller pieces of food will cook more quickly than larger pieces, and uniformly shaped foods cook more evenly than irregularly shaped food.

Starting Temperature

Room temperature foods will heat faster than refrigerated foods, and refrigerated foods will heat faster than frozen foods.

Composition and Density

Foods high in fat and sugar will reach a higher temperature, and will heat faster than other foods. Heavy, dense foods, such as meat and potatoes, require a longer cook time than the same size of a light, porous food, such as cake.

Cooking Guidelines

Covering

Covering food helps retain moisture, shorten cook time and reduce spattering. Use the lid supplied with cookware. If a lid is not available, wax paper, paper towels or plastic wrap approved for microwave ovens may be used. Plastic wrap should be turned back at one corner to provide an opening to vent steam. Condensation on the door and cavity surfaces is normal during heavy cooking.

Stirring and Turning

Stirring and turning redistribute heat evenly to avoid overcooking the outer edges of food. Stir from outside to center. If possible, turn food over from bottom to top.

Arranging

If heating irregularly shaped or different sized foods, arrange the thinner parts and smaller sized items toward the center. If cooking several items of the same size and shape, place them in a ring pattern, leaving the center of the ring empty.

Piercing

Before heating, use a fork or small knife to pierce or prick foods that have a skin or membrane, such as potatoes, egg yolks, chicken livers, hot dogs, and sausage. Prick in several places to allow steam to vent.

Shielding

Use small, flat pieces of aluminum foil to shield the thin pieces of irregularly shaped foods, bones and foods such as chicken wings, leg tips and fish tail. See "Aluminum Foil and Metal" first.

Standing Time

Food will continue to cook by the natural conduction of heat even after the microwave cooking cycle ends. The length of standing time depends on the volume and density of the food.

Cookware and Dinnerware

Cookware and dinnerware must fit on the turntable. Always use oven mitts or pot holders when handling because any dish may become hot from heat transferred from the food. Do not use cookware and dinnerware with gold or silver trim. Use the following chart as a guide, then test before using.

MATERIAL	RECOMMENDATIONS
Aluminum Foil, Metal	See "Aluminum Foil and Metal" section.
Browning Dish	Bottom must be at least 3/16" (5 mm) above the turntable. Follow manufacturer's recommendations.
Ceramic Glass, Glass	Acceptable for use.
China, Earthenware	Follow manufacturer's recommendations.
Melamine	Follow manufacturer's recommendations.
Paper: Towels, Dinnerware, Napkins	Use nonrecycled and those approved by the manufacturer for microwave oven use.
Plastic: Wraps, Bags, Covers, Dinnerware, Containers	Use those approved by the manufacturer for microwave oven use.
Pottery and Clay	Follow manufacturer's recommendations.
Silicone Bakeware	Follow manufacturer's recommendations.
Straw, Wicker, Wooden Containers	Do not use in microwave oven.
Wax Paper	Acceptable for use.

To Test Cookware or Dinnerware for Microwave Use:

- Place cookware or dinnerware in microwave oven with 1 cup (250 mL) of water beside it.
- Cook at 100% cooking power for 1 minute.

Do not use cookware or dinnerware if it becomes hot and the water stays cool.

Aluminum Foil and Metal

Always use oven mitts or pot holders when removing dishes from the microwave oven.

Aluminum foil and some metal can be used in the microwave oven. If not used properly, arcing (a blue flash of light) can occur and cause damage to the microwave oven.

OK for Use

Racks and bakeware supplied with the microwave oven (on some models), aluminum foil for shielding, and approved meat thermometers may be used with the following guidelines:

- To avoid damage to the microwave oven, do not allow aluminum foil or metal to touch the inside cavity walls, ceiling or floor.
- Always use the turntable.
- To avoid damage to the microwave oven, do not allow contact with another metal object during microwave cooking.

Do Not Use

Metal cookware and bakeware, gold, silver, pewter, non-approved meat thermometers, skewers, twist ties, foil liners such as sandwich wrappers, staples and objects with gold or silver trim or a metallic glaze should not be used in the microwave oven.

Microwave Cooking Power

Many recipes for microwave cooking specify which cooking power to use by percent or name. For example, 70%=Medium-High.

Use the following chart as a general guide for the suggested cooking power of specific foods.

PERCENT/NAME	USE
100%, High (default setting)	Quick heating convenience foods and foods with high water content, such as soups, beverages and most vegetables.
90%	Cooking small, tender pieces of meat, ground meat, poultry pieces and fish fillets. Heating cream soups.
80%	Heating rice, pasta or stirrable casseroles. Cooking and heating foods that need a cook power lower than high. For example, whole fish and meat loaf.
70%, Medium-High	Reheating a single serving of food.
60%	Cooking sensitive foods such as cheese and egg dishes, pudding and custards. Cooking non-stirrable casseroles, such as lasagna.
50%, Medium	Cooking ham, whole poultry and pot roasts. Simmering stews.
40%	Melting chocolate. Heating bread, rolls and pastries.
30%, Medium-Low, Defrost	Defrosting bread, fish, meats, poultry and precooked foods.
20%	Softening butter, cheese, and ice cream.
10%, Low	Taking chill out of fruit.

Manual Cooking

To Use:

1. Place food on the turntable and close the door.
2. Touch number pads to enter a length of time to cook
or
Touch COOK TIME, then enter a length of time to cook
If cooking with 100% power, skip Step 3.
3. Touch COOK POWER, then enter the desired power level using the appropriate number pad
or
Touch COOK POWER repeatedly to select the desired power level. See “Microwave Cooking Power” chart.
4. Touch START.
The display will count down the cook time.
When the cycle ends, “END” will appear in the display, and the end-of-cycle tones will sound, followed by reminder tones.
5. Touch OFF CANCEL or open the door to clear the display and/or stop reminder tones.

The cook time and power may be changed after touching START without interrupting cooking.

To Change Cook Time: Touch COOK TIME. The countdown will freeze for a few seconds. Enter the new cook time and touch START or wait a few seconds for the countdown to resume.

To Change Cook Power: Touch COOK POWER repeatedly to scroll through the cook power levels. Touch START.

Cooking in Stages (or steps)

The microwave oven can be set for manual cooking at different cooking powers for various lengths of time, up to 3 stages.

Sensor cooking cannot be done in stages.

To Cook in Stages:

1. Place food on the turntable and close the door.
2. Touch number pads to enter a length of time to cook
or
Touch COOK TIME, then enter a length of time to cook for the first stage.
If cooking with 100% power, skip Step 3.
3. Touch COOK POWER, then enter the desired power level using the appropriate number pad
or
Touch COOK POWER repeatedly to select the desired power level for the first stage. See “Microwave Cooking Power” chart.
4. Repeat steps 2 and 3 for the second and third stages.

5. Touch START.

The display will count down each of the cook times. The display will switch briefly to “STEP 1,” “STEP 2” or “STEP 3” every 30 seconds during their respective stages.

When the cycle ends, “END” will appear in the display, and the end-of-cycle tones will sound, followed by reminder tones.

6. Touch OFF CANCEL or open the door to clear the display and/or stop reminder tones.

The cook time and cooking power of the operating stage can be changed after touching START without interrupting cooking.

To Change Cook Time: Touch COOK TIME. The countdown will freeze for a few seconds. Enter the new cook time and touch START or wait a few seconds for the countdown to resume.

To Change Cook Power: Touch COOK POWER repeatedly to scroll through the cook power levels. Touch START.

Sensor Cooking

A sensor in the microwave oven detects humidity released from the food as it heats, and adjusts the cook time accordingly.

Many sensor cycles require the covering of foods. Microwave-safe containers or steamers with loose-fitting lids are recommended. The loose-fitting lid allows enough steam to escape to be detected by the sensor. When covering foods with plastic wrap, be sure to leave a large enough vent opening to allow the steam to escape.

NOTES:

- The microwave oven should be plugged in for at least 3 minutes.
 - The microwave oven cavity and the exterior of the cooking container should be dry.
 - The room temperature should not exceed 95°F (35°C).
 - If the door is opened during a sensor cycle, sensing will stop and the program will be canceled.
-

Max Time

During sensor cooking, “SENSING” remains in the display during the first phase of the cycle. After cook time is estimated, “MAX TIME” and the approximate number of remaining minutes may be displayed. If an exact time is calculated, it will begin counting down in the display during the final phase of the cycle.

NOTE: During some sensor cooking cycles, “SENSING” will remain in the display during the entire cycle.

Preset Cook

Times and cooking power have been preset for certain microwavable foods. Use the following chart as a guide.

FOOD	QUANTITY/INSTRUCTIONS
1-Bacon*	1, 2, 3, 4, 5 or 6 slices, average thickness/ Follow directions on the package.
2-Canned Vegetables	1, 2, 3 or 4 cups (250, 500, 750 mL or 1 L)/ Place in microwave-safe dish. Cover with plastic wrap, and vent. Stir and let stand 2-3 minutes after cooking.
3-French Toast	1, 2, 3 or 4 pieces/ Follow directions on the package.
4-Cereal	1, 2, 3 or 4 servings/ Follow directions on the package. Use microwave-safe bowl with high sides.
5-Rice (sensor)	0.5 to 2.0 cups (125 to 500 mL) dry, white long grain/ Follow measurements on package for ingredient amounts. Use microwave-safe dish with loose-fitting lid. Let stand 5 minutes after cooking, or until liquid is absorbed. Stir.

*Differences in the amount of fat, meat, thickness, and curing process affect results. Average is 16 slices per pound.

During programming, the display prompts will guide you through the menu selections.

To Use Cook:

- Place food on the turntable, and close the door.
- Touch COOK.
The list of Cook menu items will scroll in the display.
- Touch number pad of desired menu item.
For Rice (a sensor program), the display indicates that sensing is taking place. Skip Step 4.
For non-sensor items, the display will prompt you to enter the quantity.
- Enter quantity.
- Touch START.
The display will count down the cook time for non-sensor items. For sensor items, the display may vary. See "Sensor Cooking" section.
When the cycle ends, "END" will appear in the display, and the end-of-cycle tones will sound, followed by reminder tones.
- Touch OFF CANCEL or open the door to clear the display and/or stop reminder tones.

Reheat

Times and cooking power have been preset for reheating specific food types. Use the following chart as a guide.

FOOD	QUANTITY/INSTRUCTIONS
1-Pizza (refrigerated)	1-3 slices, 3 oz (85 g) each/ Place on paper towel-lined paper plate.
2-Casserole	1-4 cups (250 mL-1 L)/ Place in microwave-safe container, and cover with plastic wrap. Stir and let stand 2-3 minutes after reheating.
3-Dinner Plate (sensor)	1 serving (1 plate), 8-16 oz (227-454 g)/ Place food on microwave-safe plate, cover with plastic wrap and vent. Let stand 2-3 minutes after reheating.
4-Sauce (sensor)	1-4 cups (250 mL-1 L)/ Place in microwave-safe container. Cover with plastic wrap, and vent. Stir and let stand 2-3 minutes after reheating.
5-Soup (sensor)	1-4 cups (250 mL-1 L)/ Place in microwave-safe container. Cover with plastic wrap, and vent. Stir and let stand 2-3 minutes after reheating.
6-Baked Goods (example: medium muffin or bagel)	1-6 pieces, 2 oz (57 g) each*/ Place on paper towel.
7-Beverage	1 or 2 cups, 8 oz (250 mL) each/ Do not cover. The diameter of the cup's opening will affect how the liquid heats. Beverages in cups with smaller openings may heat faster.

*For smaller rolls, 2 rolls may be counted as 1 piece.

During programming, the display prompts will guide you through the menu selections.

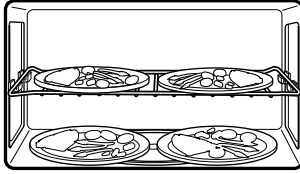
To Use Reheat:

- Place food on the turntable, and close the door.
- Touch REHEAT.
The list of Reheat menu items will scroll in the display.
- Touch number pad of desired menu item.
For sensor programs (see chart), the display indicates that sensing is taking place. Skip Step 4.
For non-sensor items, the display will prompt you to enter the quantity.
- Enter quantity.
- Touch START.
The display will count down the cook time for non-sensor items. For sensor items, the display may vary. See "Sensor Cooking" section.
When the cycle ends, "END" will appear in the display, and the end-of-cycle tones will sound, followed by reminder tones.
- Touch OFF CANCEL or open the door to clear the display and/or stop reminder tones.

To Reheat Manually: Follow directions in “Manual Cooking” section, and use 70% cooking power. See “Microwave Cooking Power” chart.

Two or More Plates (manual reheating only)

Two plates may be heated side by side, or 1 dish larger than the turntable, plus 2 plates on the cooking rack. For best results, halfway through heating, turn the plates (or larger dish) halfway around, and switch plates between top and bottom (if heating more than 2 plates). See “Cooking Rack” section.



The turntable must be turned off while heating 2 bottom plates or 1 larger dish. See “Turntable” section.

Defrost

The automatic Defrost feature can be used or the microwave oven can be manually set to defrost.

- Unwrap foods and remove lids (for example, from fruit juice containers) before defrosting.
- Shallow packages will defrost more quickly than deep blocks.
- Separate food pieces as soon as possible during or at the end of cycle for more even defrosting.
- Use small pieces of aluminum foil to shield parts of food such as chicken wings, leg tips and fish tails. See “Aluminum Foil and Metal” first.

The automatic Defrost feature has 3 categories: Meat, Poultry and Fish. It should not be used for food left outside the freezer more than 20 minutes and frozen ready-made food. Use the following chart as a guide.

MEAT

<i>Beef:</i> ground, steaks, roast, stew	The narrow or fatty areas of irregular shaped cuts should be shielded with foil before defrosting.
<i>Lamb:</i> stew and chops	
<i>Pork:</i> chops, ribs, roasts, sausage	Do not defrost less than 1/4 lb (113 g) or two 4 oz (113 g) patties. Place all meats in microwave-safe baking dish.

POULTRY

<i>Chicken:</i> whole and cut up	Place in microwave-safe baking dish, chicken breast side up.
<i>Cornish hens</i>	
<i>Turkey:</i> breast	

FISH

<i>Filletts, Steaks, Whole, Shellfish</i>	Place in microwave-safe baking dish.
---	--------------------------------------

During programming, the display prompts will guide you through the menu selections.

To Use Defrost:

1. Unwrap food, place on the turntable, and close the door.
2. Touch DEFROST.
The list of Defrost menu items will scroll in the display.
3. Touch number pad of desired menu item (1 for Meat, 2 for Poultry or 3 for Fish)
4. Enter the weight in pounds and tenths of pounds.
Meats and Poultry can be set from 0.2 to 6.6 lbs (90 g to 3 kg). Fish can be set from 0.2 to 4.4 lbs (90 g to 2 kg).
5. Touch START.
The display will count down the defrost time.

If prompted midway through defrosting, open the door and stir or turn food. Close door, and touch START to resume.

When the cycle ends, “END” will appear in the display, and the end-of-cycle tones will sound, followed by reminder tones.

6. Touch OFF CANCEL or open the door to clear the display and/or stop reminder tones.

To Defrost Manually: Follow directions in “Manual Cooking” section, and use 30% cooking power. See “Microwave Cooking Power” chart.

Quick Defrost

The microwave oven’s Quick Defrost feature automatically defrosts 1 lb (454 g) of frozen food.

To Use Quick Defrost:

1. Unwrap food, place on turntable, and close the door.
2. Touch QUICK DEFROST. The microwave oven will automatically start the defrost cycle.
The display will count down the defrost time.

If prompted midway through defrosting, open the door and stir or turn food. Close door, and touch START to resume.

When the cycle ends, “END” will appear in the display, and the end-of-cycle tones will sound, followed by reminder tones.

3. Touch OFF CANCEL or open the door to clear the display and/or stop reminder tones.

Popcorn

Popcorn is a sensor function. The sensor determines the appropriate popping time of commercially packaged microwavable popcorn. Allowable bag sizes are between 3.0 oz (85 g) and 3.5 oz (99 g).

NOTE: During Popcorn function, as with all microwave cooking functions, the microwave oven should be attended at all times. Listen for popping to slow to 1 pop every 1 or 2 seconds, then stop the cycle.

- To avoid damage to the microwave oven, do not use regular paper bags or glassware.
- Pop only 1 package of popcorn at a time.
- Follow manufacturer's instructions when using a microwave popcorn popper.
- For best cooking results, do not try to pop unpopped kernels.
- Use fresh bags of popcorn for optimal results.
- Cooking results may vary by brand and fat content. For bag sizes not listed in this section, follow directions on the package.

To Use POPCORN:

1. Place popcorn bag on the turntable.
2. Touch POPCORN.
"SENSES 3.0-5.5 OZ" will scroll in the display, and the microwave oven will automatically start the popping cycle.
"SENSING" will remain in the display during the entire cycle.
When the cycle ends, "END" will appear in the display, and the end-of-cycle tones will sound, followed by reminder tones.
3. Touch OFF CANCEL or open the door to clear the display and/or stop reminder tones.

Baked Potato

Baked Potato is a sensor function. The sensor determines the appropriate cooking time for one to four 10-13 oz (283-369 g) potatoes.

- Pierce each potato several times with a fork before cooking.
- Place a single potato on the turntable, off to the side (not centered). Place 2, 3 or 4 potatoes on the turntable around the edges, at least 1" (2.5 cm) apart.
- Let potato(es) stand for 5 minutes after cooking.

To Use Baked Potato:

1. Place potato(es) on a paper towel on the turntable, and close the door.
2. Touch BAKED POTATO.
"SENSES 1-4 PIECES" will scroll in the display, and the microwave oven will automatically start the cooking cycle.
"SENSING" will remain in the display during part or all of the cooking cycle.
When the cycle ends, "END" will appear in the display, and the end-of-cycle tones will sound, followed by reminder tones.
3. Touch OFF CANCEL or open the door to clear the display and/or stop reminder tones.

Frozen Entrée

Frozen Entrée has both sensor and non-sensor programs.

The sensor determines the appropriate cooking times for 10 oz (283 g) and 20 oz (567 g) entrées.

The microwave oven has preset cooking times for 40 oz (1134 g) and 60 oz (1701 g) entrées.

- Remove from package.
- Loosen cover on 3 sides.
- If entrée is not in a microwave-safe dish, place on plate, cover with plastic wrap, and vent.

To Use Frozen Entrée:

1. Place food on the turntable, and close the door.
2. Touch FROZEN ENTREE.
"ENTER 10 OR 20 OR 40 OR 60 OZ" will scroll in the display.
3. Touch number pads to enter entrée size.
4. Touch START.
If cooking 10 oz (283 g) or 20 oz (567 g), "SENSING" will remain in the display during part or all of the cooking cycle.
If cooking 40 oz (1134 g) or 60 oz (1701 g), The display will count down the cook time.
When the cycle ends, "END" will appear in the display, and the end-of-cycle tones will sound, followed by reminder tones.
5. Touch OFF CANCEL or open the door to clear the display and/or stop reminder tones.

Veggies

Veggies is a sensor function. The sensor determines the appropriate cooking time for 1 to 4 cups (250 mL to 1 L) of fresh or frozen vegetables.

- Remove frozen vegetables from package.
- Place in a microwave-safe dish, add 2-4 tbs (30-60 mL) water. Cover with plastic wrap, and vent.
- Stir and let stand 2-3 minutes after cooking.

To Use Veggies:

1. Place food on the turntable, and close the door.
2. Touch VEGGIES.
"PRESS 1-FRESH VEG 2-FROZN VEG" will scroll in the display.
3. Touch number pad to select fresh or frozen vegetables.
"SENSES 1-4 CUPS" will scroll in the display, and the microwave oven will automatically start the cooking cycle.
"SENSING" will remain in the display during part or all of the cooking cycle.
When the cycle ends, "END" will appear in the display, and the end-of-cycle tones will sound, followed by reminder tones.
4. Touch OFF CANCEL or open the door to clear the display and/or stop reminder tones.

Warm Hold

WARNING

Food Poisoning Hazard

Do not let food sit in oven more than one hour before or after cooking.

Doing so can result in food poisoning or sickness.

Hot cooked food can be kept warm in the microwave oven. The Warm Hold function uses 10% cook power. Warm Hold can be used by itself or can be programmed to follow a cooking cycle. Opening the door during Warm Hold will cancel the function.

- Cover plates of food.
- Cover foods that were covered while being cooked.
- For best results, do not cover baked goods such as pastries, pies, turnovers, etc.

To Use (for single cycle):

1. Place hot cooked food on the turntable and close the door.
2. Touch WARM HOLD.
The default maximum time will appear in the display.
3. Touch number pads to adjust time, if desired
or
Touch START.

“WARM” will appear in the display during the entire cycle.

When the cycle ends, “END” will appear in the display, and the end-of-cycle tones will sound, followed by reminder tones.

4. Touch OFF CANCEL or open the door to clear the display and/or stop reminder tones.

To Set at end of cycle: Touch WARM HOLD while setting a cooking cycle before touching START, or during cooking.

MICROWAVE OVEN CARE

General Cleaning

IMPORTANT: Before cleaning, make sure all controls are off and the microwave oven is cool. Always follow label instructions on cleaning products.

Soap, water and a soft cloth or sponge are suggested unless otherwise noted.

GREASE FILTERS

Do not use ammonia or corrosive cleaning agents such as lye-based oven cleaners.

- Hot water and mild detergent:
Soak filters, then scrub and swish to remove embedded dirt and grease. Rinse well and shake to dry.
- Dishwasher:
Wash separately, not with dirty dishes, because food can be trapped in the filters.

NOTE: Some discoloration of the filters may occur after cleaning them in the dishwasher. This is normal, and will not affect the performance of the grease filters.

MICROWAVE OVEN CAVITY

To avoid damage to the microwave oven cavity, do not use soap-filled scouring pads, abrasive cleaners, steel-wool pads, gritty washcloths or some recycled paper towels.

To avoid damage to stainless steel models, rub in direction of grain.

The area where the microwave oven door and frame touch when closed should be kept clean.

Average soil

- Mild, nonabrasive soaps and detergents:
Rinse with clean water and dry with soft, lint-free cloth.

Heavy soil

- Mild, nonabrasive soaps and detergents:
Heat 1 cup (250 mL) of water for 2 to 5 minutes in microwave oven. Steam will soften soil. Rinse with clean water and dry with soft, lint-free cloth.

Odors

- Lemon juice or vinegar:
Heat 1 cup (250 mL) of water with 1 tbs (15 mL) of either lemon juice or vinegar for 2 to 5 minutes in microwave oven.

Microwave Inlet Cover

To avoid arcing and microwave oven damage, the microwave inlet cover (see “Parts and Features”) should be kept clean.

- Wipe with wet cloth.

MICROWAVE OVEN DOOR AND EXTERIOR

The area where the microwave oven door and frame touch when closed should be kept clean.

- Mild, nonabrasive soaps and detergents:
Rinse with clean water and dry with soft, lint-free cloth.
- Glass cleaner and paper towels or nonabrasive plastic scrubbing pad:
Apply glass cleaner to towel, not directly to surface.

Stainless Steel (on some models)

To avoid damage to microwave oven door and exterior, do not use soap-filled scouring pads, abrasive cleaners, steel-wool pads, gritty washcloths or some paper towels. Rub in direction of grain.

- Stainless Steel Cleaner and Polish (not included):
See “Assistance or Service” section to order.
- Liquid detergent or all-purpose cleaner:
Rinse with clean water and dry with soft, lint-free cloth.
- Vinegar for hard water spots

CONTROL PANEL

- Sponge or soft cloth and water:
Dampen sponge with water and wipe panel. Dry with soft cloth.
- To avoid damage to the control panel, do not use chemical or abrasive cleansers.

COOKING RACK

Dishwasher cleaning is not recommended. To avoid damage to the cooking rack, do not use abrasive cleansers or scrubbers.

- Mild cleanser, water and washcloth

RACK SUPPORTS

To avoid soil buildup which may lead to arcing and cause damage to the microwave oven, clean rack supports often.

Do not use soap-filled scouring pads, abrasive cleaners, steel-wool pads, gritty washcloths or some recycled paper towels.

- Mild, nonabrasive soap or detergent and washcloth, toothbrush or cotton swab:
Rinse with clean water and dry with soft, lint-free cloth.

TURNTABLE

Replace turntable immediately after cleaning. Do not operate the microwave oven without the turntable in place.

- Mild cleanser and scouring pad
- Dishwasher

Replacing Filters

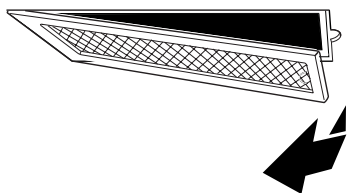
The grease filter should be removed and cleaned at least once a month. Do not operate the microwave oven or exhaust fan without the grease filter in place. The charcoal filter cannot be washed and should be replaced every 6 to 12 months. See “General Cleaning” for cleaning instructions. See “Assistance or Service” to reorder filters.

Filter Status Indicator

As a reminder, approximately every 6 months, the “CLEAN/CHANGE FILTERS” message will scroll in the display when the VENT FAN control is touched. After filters are replaced, reset the filter status. See “Setup Menu” section.

To Remove and Replace Grease Filter:

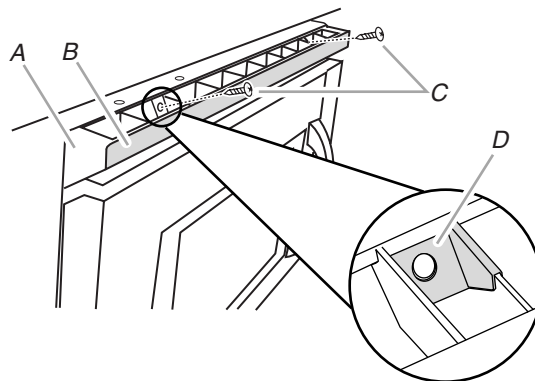
1. Remove the grease filter by the sliding filter to the left side of the microwave oven until the right end of the filter drops down, then pull out the filter.



2. Replace grease filter by inserting one end of the filter into the left rim of the frame. Swing the right end of the filter up and slide it into position.

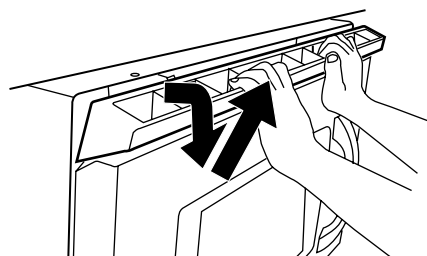
To Remove and Replace Charcoal Filter:

1. Remove the 2 vent grille mounting screws and mounting braces located directly behind the top louver.

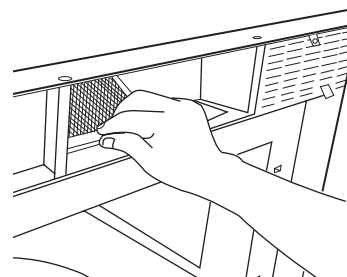


A. Vent grille
B. Top louver
C. Mounting screws
D. Mounting braces (2)

2. Tip the vent grille forward and down, then lift to remove.



3. Slide filter back slightly, lift front end, and pull out filter.



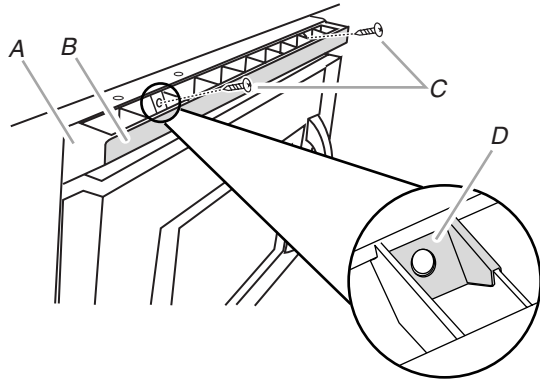
4. Install new charcoal filter.
5. Replace vent grille, mounting braces and mounting screws.

Replacing Microwave Oven Light

The microwave oven light is a candelabra base bulb. It will automatically come on when the door is opened and when the microwave oven is operating. See “Assistance or Service” section to reorder.

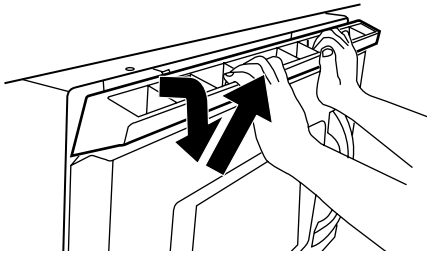
To Replace:

1. Unplug microwave oven or disconnect power.
2. Remove the 2 vent grille mounting screws and mounting braces located directly behind the top louver.

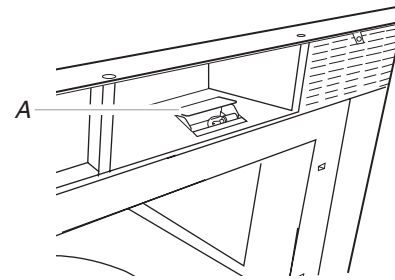


A. Vent grille
B. Top louver
C. Mounting screws
D. Mounting braces (2)

3. Tip the vent grille forward and down, then lift out to remove.



4. Lift up the bulb cover.



A. Bulb cover

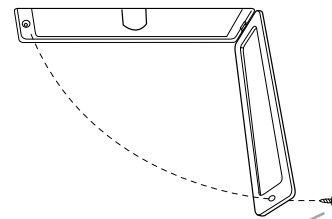
5. Replace light. Close bulb cover.
6. Reattach vent grille. Replace the mounting braces and mounting screws.
7. Plug in microwave oven or reconnect power.

Replacing Cooktop Light

The cooktop light is a candelabra base bulb. See “Assistance or Service” section to reorder.

To Replace:

1. Unplug microwave oven or disconnect power.
2. Remove the bulb cover mounting screw.



A

A. Mounting screw

3. Replace light. Close bulb cover. Replace mounting screw.
4. Plug in microwave oven or reconnect power.

TROUBLESHOOTING

Try the solutions suggested here first in order to avoid the cost of an unnecessary service call.

Nothing will operate

- **Has a household fuse blown, or has a circuit breaker tripped?**
Replace the fuse or reset the circuit breaker. If the problem continues, call an electrician.
- **Is the microwave oven wired properly?**
See Installation Instructions provided with your microwave oven.

Microwave oven will not operate

- **Is the magnetron working properly?**
Try to heat 1 cup (250 mL) of cold water for 2 minutes at 100% cooking power. If water does not heat, try the steps below. If microwave oven still does not operate, call for service. See “Assistance or Service” section.
- **Is the door completely closed?**
Firmly close door.

- **Does a message about the door appear in the display?**
The door has been closed for 5 minutes or more. Open and close the door, then touch START to start the cooking cycle. See “Start” section.
- **Is a packaging spacer (on some models) attached to the inside of the door?**
Remove packaging spacer, then firmly close door.
- **Is the electronic microwave oven control set correctly?**
See “Microwave Oven Control” section.
- **On some models, is the Control Lock set?**
See “Control Lock” section.
- **On some models, is the Demo Mode activated?**
See “Demo Mode” section.

Microwave oven makes humming noise

- This is normal and occurs when the power supply switches the magnetron on and off.

Microwave oven door looks wavy

- This is normal and will not affect performance.

Turntable will not operate

- **Has the tape been removed from turntable hub?**
See “Turntable” section.
- **Is the turntable properly in place?**
Make sure turntable is correct side up and is sitting securely on the turntable support.
- **Is the turntable support operating properly?**
Remove turntable. Remove and clean turntable support and rollers. Replace turntable support. Replace turntable. Place 1 cup (250 mL) of water on the turntable, then restart microwave oven. If it still is not working, call for service. See “Assistance or Service” section. Do not operate the microwave oven without turntable and turntable support working properly.

Turntable alternates rotation directions

- This is normal and depends on motor rotation at the beginning of the cycle.

Display shows messages

- **Is the display showing “:”?**
There has been a power failure, or the clock time has been turned off. See “Display” section to clear display. See “Clock” section to reset the clock or to turn it on.
- **Is the display showing a letter followed by a number?**
Clear the display. If it reappears, call for service. See “Assistance or Service” section.

Display shows time countdown, but is not operating

- **Is the Timer in use?**
See “Timer” section.
- **On some models, is the Demo Mode in use?**
See “Demo Mode” section.

Tones are not sounding

- **Are tones turned off?**
See “Tones” section.

Steam is coming from the vent grille

- Some steam is normal.

Fan running slower than usual

- **Has the microwave oven been stored in a cold area?**
The fan will run slower until the microwave oven warms up to normal room temperature.

Fan running during microwave cooking

- This is normal. The fan comes on to cool the microwave oven. See “Vent Fan” section.

Fan comes on during cooktop usage

- This is normal. The fan automatically comes on to cool the microwave oven if the temperature from the cooktop below gets too hot. See “Vent Fan” section.

Cooking times seem too long

- **Is the cooking power set properly?**
See “Microwave Cooking Power” section.
- **Are large amounts of food being heated?**
Larger amounts of food need longer cooking times.
- **Is the incoming voltage less than that specified in “Microwave Hood Combination Safety?”**
Have a qualified electrician check the electrical system in the home.

Radio, TV or cordless phone interference

- **Is the radio or TV receiver near the microwave oven?**
Move the receiver away from the microwave oven, or adjust the radio or TV antenna.
- **Are the microwave oven door and sealing surfaces clean?**
Make sure these areas are clean.
- **Is the cordless phone frequency 2.4 GHz?**
Some 2.4 GHz-based cordless phones and home wireless networks may experience static or noise while the microwave oven is on. Use a corded phone, a different frequency cordless phone or avoid using these items during microwave oven operation.

ASSISTANCE OR SERVICE

Before calling for assistance or service, please check "Troubleshooting." It may save you the cost of a service call. If you still need help, follow the instructions below.

When calling, please know the purchase date and the complete model and serial number of your appliance. This information will help us to better respond to your request.

If you need replacement parts

If you need to order replacement parts, we recommend that you use only factory specified parts. Factory specified parts will fit right and work right because they are made with the same precision used to build every new IKEA® appliance.

To locate factory specified parts in your area, call us or your nearest designated service center.

In the U.S.A.

Call the Whirlpool Customer eXperience Center toll free: **1-866-664-2449**.

Our consultants provide assistance with:

- Features and specifications on our full line of appliances.
- Installation information.
- Use and maintenance procedures.
- Accessory and repair parts sales.
- Specialized customer assistance (Spanish speaking, hearing impaired, limited vision, etc.).
- Referrals to local dealers, repair parts distributors, and service companies. Whirlpool designated service technicians are trained to fulfill the product warranty and provide after-warranty service, anywhere in the United States.

To locate the Whirlpool designated service company in your area, you can also look in your telephone directory Yellow Pages.

For further assistance

If you need further assistance, you can write to Whirlpool Corporation with any questions or concerns at:

IKEA Brand Home Appliances
Customer eXperience Center
553 Benson Road
Benton Harbor, MI 49022-2692

Please include a daytime phone number in your correspondence.

In Canada

Call the Whirlpool Canada LP Customer eXperience Centre toll free: **1-866-664-2449**.

Our consultants provide assistance with:

- Features and specifications on our full line of appliances.
- Use and maintenance procedures.
- Accessory and repair parts sales.
- Referrals to local dealers, repair parts distributors, and service companies. Whirlpool Canada LP designated service technicians are trained to fulfill the product warranty and provide after-warranty service, anywhere in Canada.

For further assistance

If you need further assistance, you can write to Whirlpool Canada LP with any questions or concerns at:

Customer eXperience Centre
Whirlpool Canada LP
200 – 6750 Century Ave.
Mississauga, Ontario L5N 0B7

Please include a daytime phone number in your correspondence.

Replacement Parts

Turntable
Part Number 4393799

Turntable Support and Rollers
Part Number 8206227

Turntable Hub
Part Number 8206228

Grease Filter
Part Number W10208631

Charcoal Filter
Part Number 8206230

Cooktop Light Bulb
Part Number 8206232

Microwave Oven Light Bulb
Part Number 4393681

Cleaning Supplies

affresh™ Kitchen Appliance
Cleaner

Part Number W10355010

affresh™ Stainless Steel
Cleaner

Part Number W10355016

affresh™ Stainless Steel Wipes
Part Number W10355049

Heavy Duty Degreaser
Part Number 31552A

W10464602A

© 2011.
All rights reserved.
Todos los derechos reservados.
Tous droits réservés.

® IKEA is a registered trademark of Inter-Ikea Systems B.V.
™ AFFRESH is a Trademark of Whirlpool, U.S.A.
© IKEA es una marca registrada de Inter-Ikea Systems B.V.
™ AFFRESH es una marca de comercio de Whirlpool, U.S.A.
® IKEA est une marque déposée de Inter-Ikea Systems B.V.
™ AFFRESH est une marque de commerce de Whirlpool, U.S.A.

12/11
Printed in China
Impreso en China
Imprimé en Chine