

# Installation Instructions for Ice Maker Drain Pump

## Kit Contains:


- (1) Drain Pump
- (1) Drain Tube, 5/8" ID x 5-1/8" (ice maker bin to pump reservoir inlet)
- (1) Drain Tube Hose, 1/2" ID x 10' (pump discharge to household drain)
- (1) Vent Tube, 5/16" ID x 32" (pump reservoir vent to ice maker cabinet back)
- (3) Cable Clamp (secures vent tube to back of ice maker)
- (5) Screws (secures pump to base plate and clamps to back of ice maker)
- (1) Small Adjustable Hose Clamp, 5/8" (secures vent tube to pump)
- (3) Large Adjustable Hose Clamps, 7/8" (secures drain tube to bin and drain pump reservoir inlet)
- (2) Rear Panel
- (1) Instruction Sheet

**IMPORTANT:** Connect drain pump to your drain in accordance with all state and local codes and ordinances. It may be desirable to insulate drain tube thoroughly up to drain inlet to minimize condensation on the drain tube hose. Insulated tube kit part W10365792 is available for purchase. Drain pump is designed to pump water to a maximum height of 10 feet.

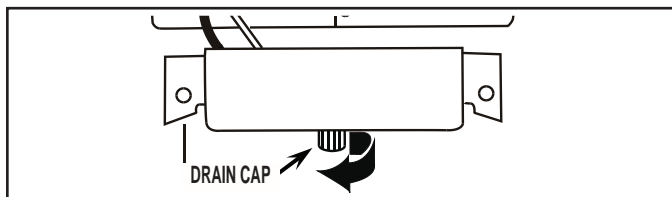
## If Ice Maker is Presently Installed:

**NOTE:** If ice maker is not installed, proceed to Drain Pump Installation section.

1. Push the selector switch to the **OFF** position.

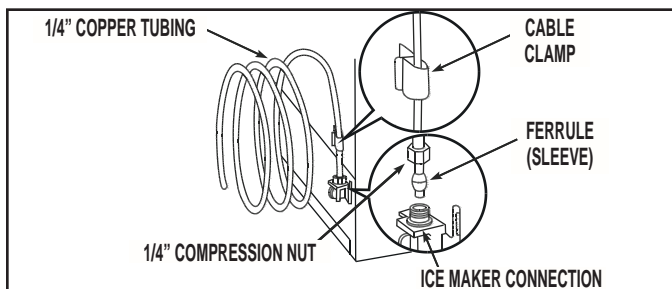
<b>⚠ WARNING</b>	
	<b>Electrical Shock Hazard</b>
	<b>Disconnect power before servicing.</b>
	<b>Replace all parts and panels before operating.</b>
<b>Failure to do so can result in death or electrical shock.</b>	

2. Unplug ice maker or disconnect power.
3. Shut off water supply. Wait 5 to 10 minutes for the ice to fall into the storage bin. Remove all ice from bin.
4. Unscrew the drain cap from the bottom of the water pan located inside the storage bin. Allow water to drain completely. Replace drain cap. See *Figure 1*.



**FIGURE 1**

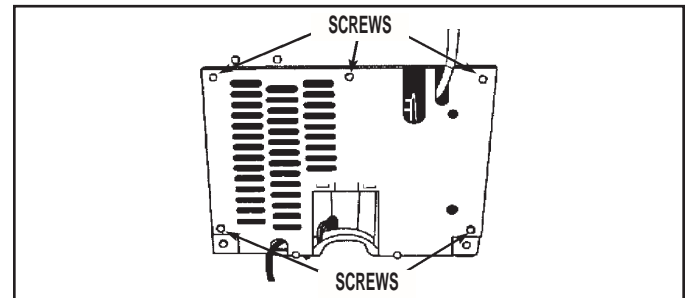
5. If ice maker is built into cabinets, pull ice maker out of the opening.
6. Disconnect water supply line. See *Figure 2*.



**FIGURE 2**

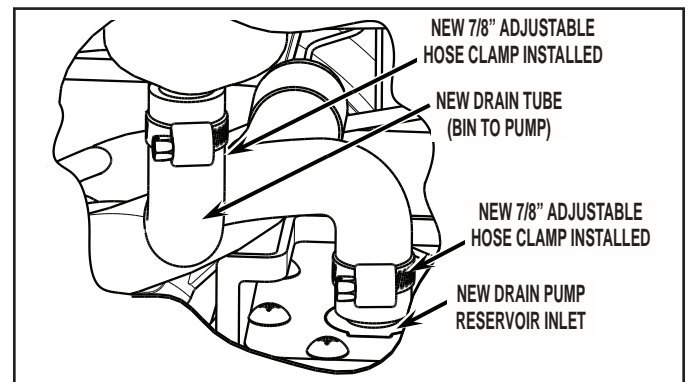
## Drain Pump Installation:

1. Remove rear panel. See *Figure 3* for five (5) screw locations. Pull old rear panel away from drain tube and discard panel and save screws.



**FIGURE 3**

2. Remove old drain tube and clamp. Discard old drain tube and clamp.
3. Install new drain tube to pump reservoir inlet using new adjustable clamps. See *Figure 4*.

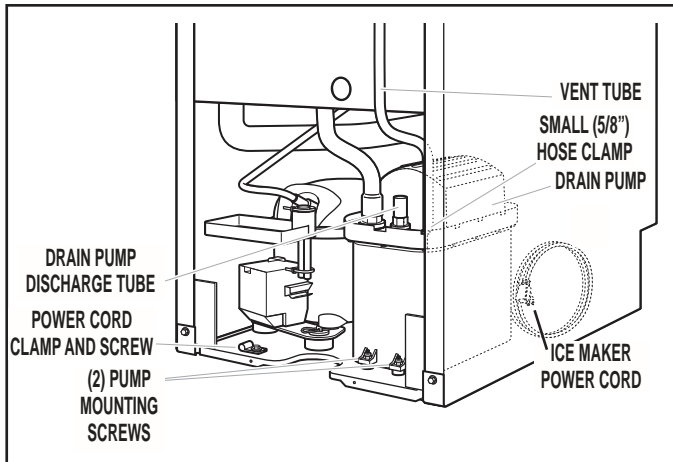


**FIGURE 4**

(continued on next page)

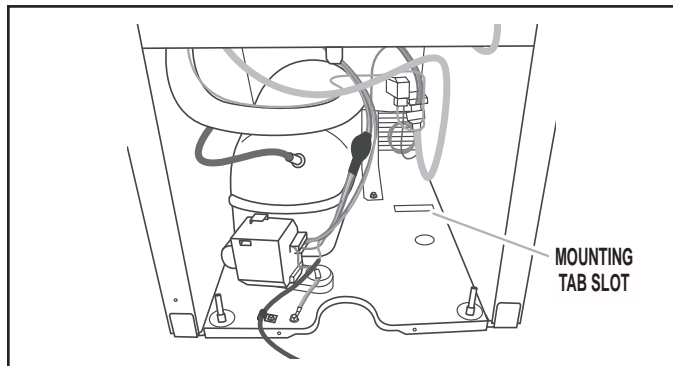
4. Install vent tube (5/16" x 32") to pump reservoir vent. Use 5/8" adjustable clamp, supplied. See *Figure 5*.

**NOTE:** DO NOT install household drain tube at this time.



**FIGURE 5**

5. Remove power cord clamp and screw attached to ice maker power cord. This is located at the unit base. See *Figure 5*. Clamp and screw will be reused.
6. Slide drain pump into the ice maker base on the right side. The pump mounting tab should slip into the rectangular slot in the ice maker base. It will be necessary to tip the pump slightly to slip into the slot. *Figure 6* shows the mounting tab that must slip into the slot.

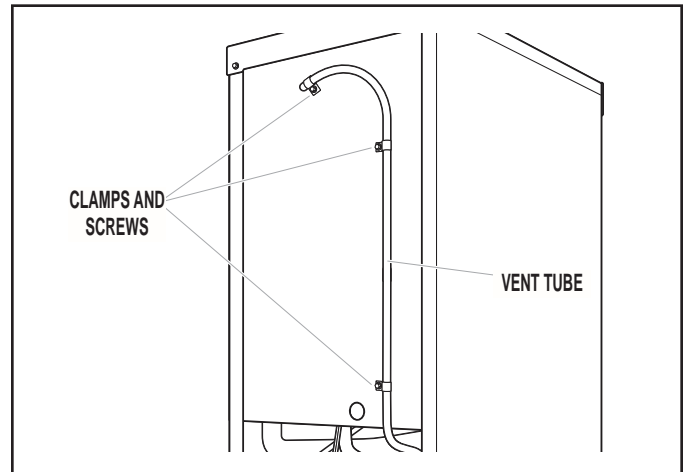


**FIGURE 6**

7. Line up the two (2) screw holes at the rear of the pump. Use two (2) of the screws supplied in kit. See *Figure 5*.
8. Connect drain tube to ice maker bin outlet (5/8" ID), using 7/8" adjustable clamp, supplied. See *Figure 4*.
9. Coil ice maker power cord into a 4" diameter coil. Wrap electrical tape around the power cord in several places to keep the cord in a coil. Locate coiled cord between the drain pump and side of enclosure and plug into the receptacle of the drain pump. See *Figure 5*.
10. Attach the drain pump power cord to ice maker unit base with clamp and screw (removed in step 5) that was used to attach ice maker power cord. See *Figure 5*.
11. Place new rear panel (small one for 15" ice makers, large one for 18") against the back of the ice maker. Route the vent tube and drain pump discharge tube through cutouts in the rear panel.
12. Secure rear panel with original screws. See *Figure 3*.

13. Secure vent tube to back of ice maker using three (3) clamps and the three (3) remaining screws supplied in kit. See *Figure 7*.

**NOTE:** Do not pinch, kink or damage the vent tube. Check that it is not damaged or pinched or kinked between the cabinet and the ice maker.



**FIGURE 7**

14. Attach 1/2" ID x 10' drain tube to drain pump discharge tube. See *Figure 5*.
15. Connect ice maker to water supply and install ice maker as specified by the product installation instructions, supplied with the product.
16. Check all connections for leaks.

## ⚠ WARNING



### Electrical Shock Hazard

**Plug into a grounded 3 prong outlet.**

**Do not remove ground prong.**

**Do not use an adapter.**

**Do not use an extension cord.**

**Failure to follow these instructions can result in death, fire, or electrical shock.**

17. Plug in ice maker or reconnect power.
18. Turn selector switch to ON.
19. Wait for rinsing cycle, approximately 5 minutes, to be sure the ice maker is operating properly.