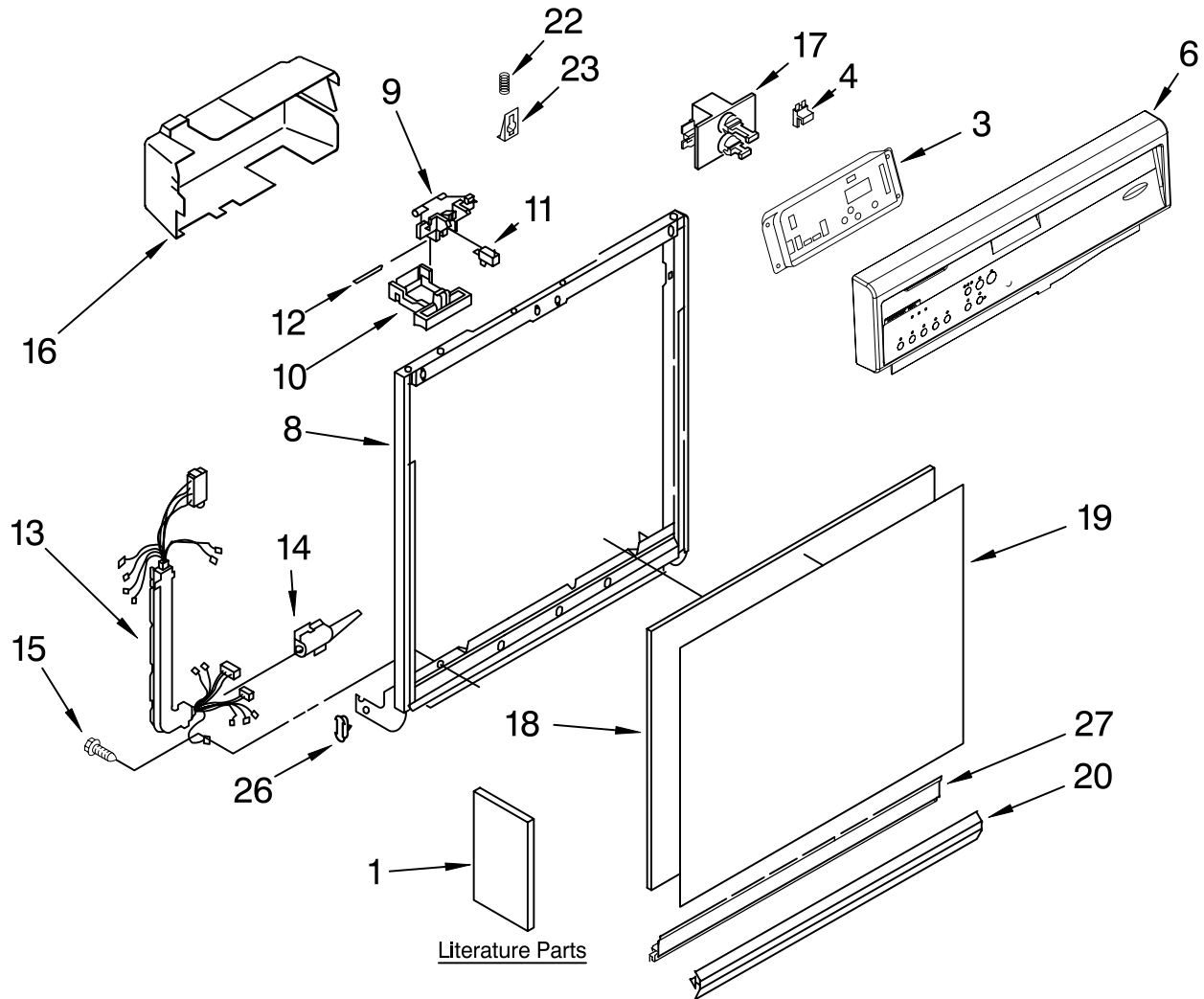




FRAME AND CONSOLE PARTS

For Model: DP940PWSQ0
(White)

PORTABLE
DISHWASHER

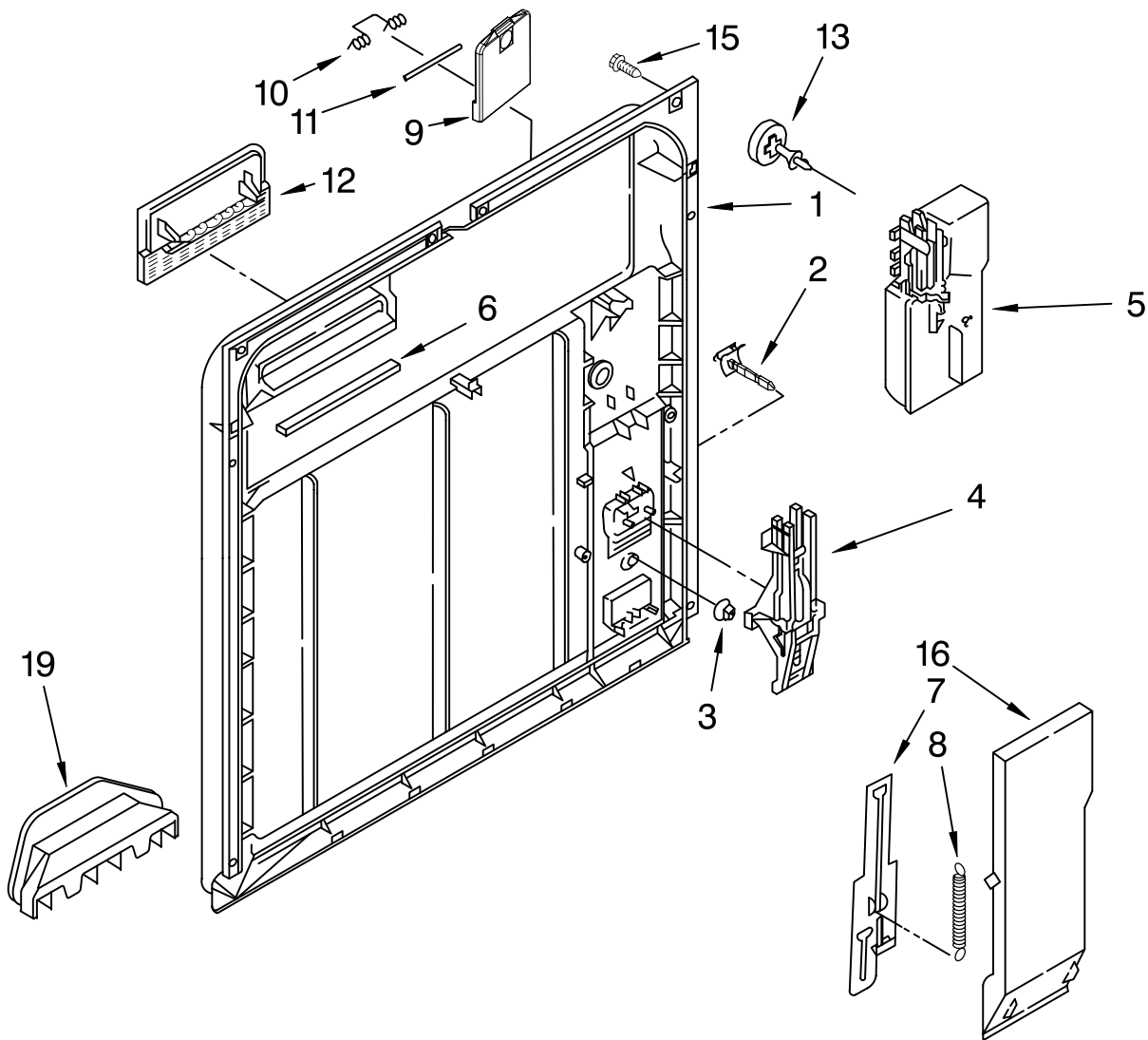


Illus. No.	Part No.	DESCRIPTION	Illus. No.	Part No.	DESCRIPTION	Illus. No.	Part No.	DESCRIPTION
1	8535418	Literature Parts Instructions, Installation	8	3374712	Door Frame White	18	3374777	Absorber, Sound Panel, Front
	W10073400	Guide, Use & Care Tech Sheet	9	3380854	Bolt, Latch	19	3369769	White Panel, Front
	8535431	English/French	10	3372231	Lever, Latch White	20	3374011	Retainer, Panel
	W10073390	Guide, Energy	11	3369325	Switch, (2)	22	3379358	Spring, Door Catch
3	W10039780	Control, Electronic	12	3368955	Pin, Switch (2)	23	3379357	Catch, Door
4	3376359	Fuse, Thermal	13	8571335	Harness and Protector	26	3373234	Bearing, Spring (2)
6		Console (Includes Insert & Active Overlay)	14	3376405	Elbow, Harness	27	3374716	Channel, Retainer (Also Order Item 20)
	W10101940	White	15	3400892	Screw			
			16	8051304	Cover, Timer			
			17	3374501	Motor, Dual			

FOR ORDERING INFORMATION REFER TO PARTS PRICE LIST

INNER DOOR PARTS

For Model: DP940PWSQ0
(White)

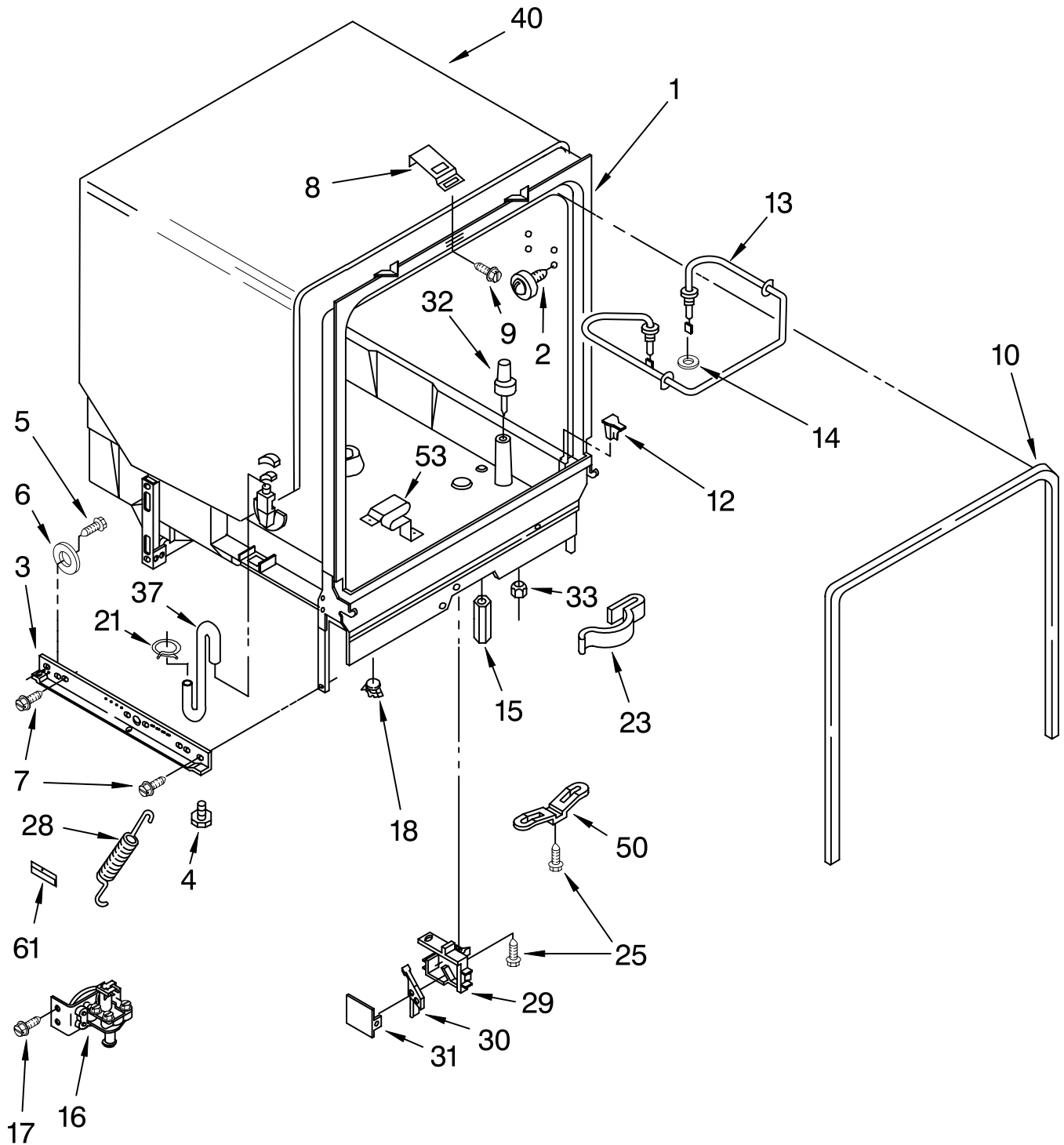


Illus. No.	Part No.	DESCRIPTION	Illus. No.	Part No.	DESCRIPTION	Illus. No.	Part No.	DESCRIPTION
1	8051463	Door, Inner	5	8052028	Wet Agent, Dispenser	10	8066018	Spring, Lid
2	3376066	Latch, Detergent Dispenser (Includes Item 3)	6	3379673	Seal, Door Vent	11	3372028	Pin (Lid Hinge)
3	3369061	Snap, Detergent Dispenser (Includes Item 2)	7	3369448	Draw Bar, Electronic	12	3371710	Screen, Vent
4	3369505	Actuator Assembly	8	3368999	Spring (Draw Bar)	13	3378134	Cap, Wet Agent
			9	3378138	Lid Assembly	15	3400815	Screw (8)
						16	3371569	Cover, Drip
						19	3379674	Vent Assembly (Includes Item 6)

FOR ORDERING INFORMATION REFER TO PARTS PRICE LIST

TUB ASSEMBLY PARTS

For Model: DP940PWSQ0
(White)



FOR ORDERING INFORMATION REFER TO PARTS PRICE LIST

TUB ASSEMBLY PARTS

For Model: DP940PWSQ0
(White)

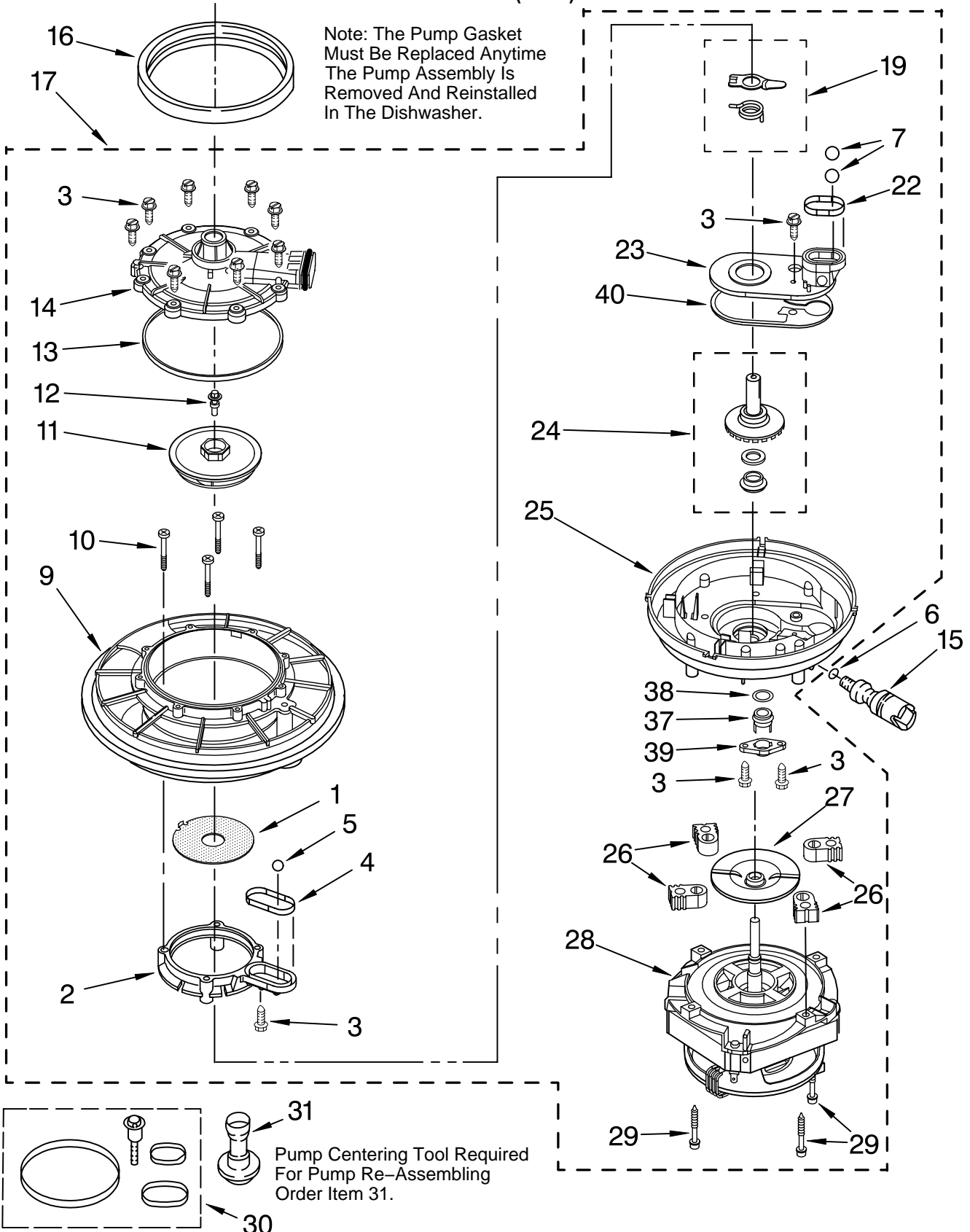
<u>Illus.</u> <u>No.</u>	<u>Part</u> <u>No.</u>	<u>DESCRIPTION</u>
1	3378160	Tub Assembly
2	8528831	Tub, Wheel Assembly (8)
3	3368933	Runner (2)
4	3374849	Leveler (2)
5	3370389	Screw, Shoulder (2)
6	302819	Wheel (2)
7	343641	Screw, 10-16 x 1/2 (4)
8	3378149	Plate, Latch
9	3374720	Screw
10	3376927	Gasket
12	8528862	Deflector (2)
13	8519830	Heater (Includes Item 14)
14	717273	Washer, Rubber (2)
15	8268548	Nut (2) (Heater Terminal)
16	8274220	Water Valve
17	304392	Screw
18	661566	Thermostat, Hi-Limit
21	301958	Clamp
23	3400935	Clip
25	304231	Screw, 8-18 x 1/2
28	3374343	Spring, Door
29	8318218	Housing, Float Switch
30	3369067	Switch, Float
31	8318219	Cover, Switch Housing
32	8519587	Float & Washer Assembly
33	717488	Nut
37	3371030	Hose, Inlet
40	8573243	Sound Shield, Tub
50	3378595	Bracket, Thermostat
53	3379740	Support, Heater
61	8052018	Friction Pad

FOR ORDERING INFORMATION REFER TO PARTS PRICE LIST

PUMP AND MOTOR PARTS

For Model: DP940PWSQ0
(White)

Note: The Pump Gasket Must Be Replaced Anytime The Pump Assembly Is Removed And Reinstalled In The Dishwasher.



FOR ORDERING INFORMATION REFER TO PARTS PRICE LIST

PUMP AND MOTOR PARTS

For Model: DP940PWSQ0

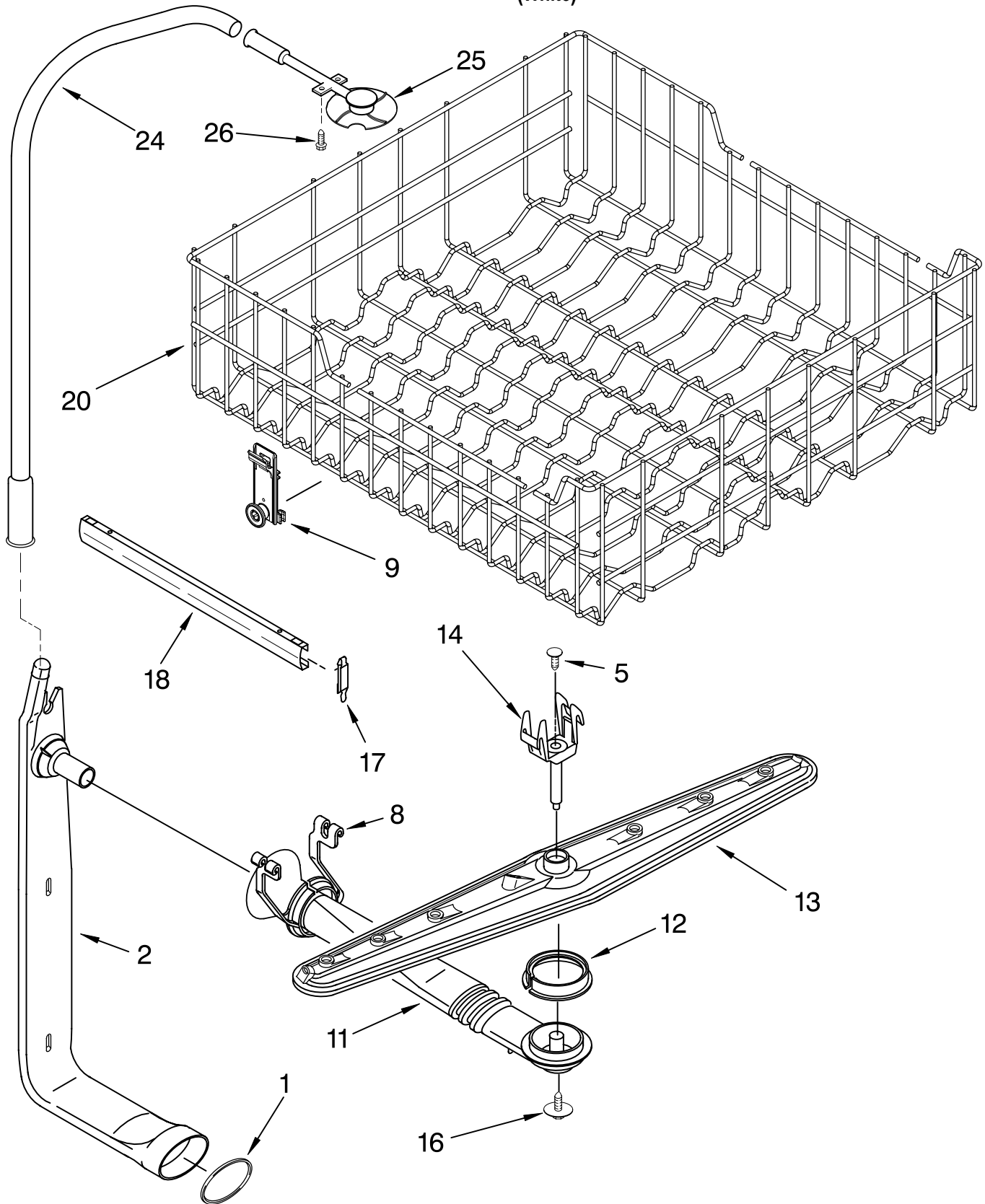
(White)

Illus. No.	Part No.	DESCRIPTION	Illus. No.	Part No.	DESCRIPTION	Illus. No.	Part No.	DESCRIPTION
1	9740982	Plate, Perforated (Includes Item 5) (Also Order Item 30) See Note A.	14	9742973	Outlet, Pump (Includes Item 13)	27	3368270	Slinger (See Note A.)
2	3367173	Base, Inlet (Includes Items 1 & 5) (Also Order Item 30) See Note A.	15	3369482	Check Valve (Includes Item 6)	28	8534971	Motor & Fan Assembly (Includes Item 27) (Also Order Item 30) See Note A.
3	9741232	Screw, 8-18 x 5/8	16	661633	Gasket, Pump	29	8281183	Screw (4)
4	302710	Seal, Inlet Base	17	8283502	Pump & Motor Assembly (Includes Item 16)	30	675505	Pump Seal Kit (Includes Items 4, 12, 13 & 22)
5	302709	Ball, Check	19	3378175	Chopper Kit (Also Order Item 30) See Note A.	31	303918	Tool, Pump Centering
6	95080	"O" Ring	22	302704	Seal, Drain Cover	37	3378083	Thermostat
7	719929	Ball, Check	23	3376845	Cover, Drain (Also Order Item 30) See Note A.	38	3376723	Seal, O-Ring
9	3384593	Filter Assembly (Includes Items 12, 13 & 22) See Note A.	24	8274950	Impeller, Drain Kit (Also Order Item 30) See Note A.	39	3376358	Retainer, Thermostat
10	3400001	Screw	25	3376157	Base, Pump (Also Order ITEM 30) See Note A.	40	9740674	Gasket, Drain Cover
11	3378176	Impeller, Wash (Includes Items 12 & 13)	26	3367197	Support, Pump Mounting (4)			
12	3371152	Screw & Seal 10-32 x 3/4						NOTE A: Pump Centering Tool Required For Pump Re-Assembling Order Item 31.
13	302711	Seal, Pump Outlet						

FOR ORDERING INFORMATION REFER TO PARTS PRICE LIST

UPPER DISHRACK AND WATER FEED PARTS

For Model: DP940PWSQ0
(White)



FOR ORDERING INFORMATION REFER TO PARTS PRICE LIST

UPPER DISHRACK AND WATER FEED PARTS

For Model: DP940PWSQ0

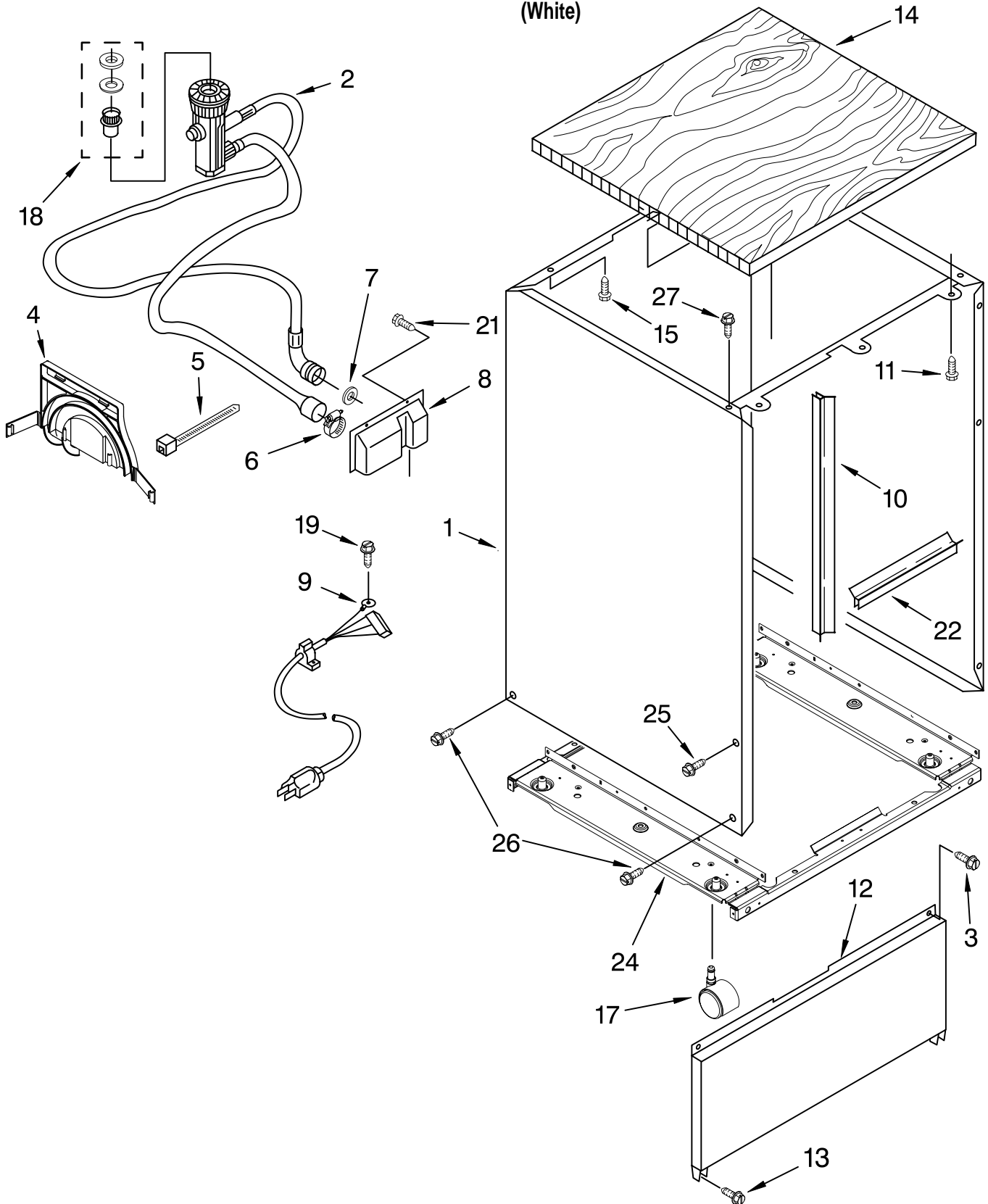
(White)

Illus. No.	Part No.	DESCRIPTION
1	9742953	Seal, Tube
2	661651	Tube, Water
5	3400919	Plug
8	3385160	Hanger, Water Inlet
9	8539126	Wheel Assembly
11	8268845	Manifold, Sprayarm
12	3376846	Seal, Sprayarm
13	8519604	Sprayarm, Upper
14	3385159	Mount
16	8533889	Screw
17	8565920	Stop, Track
18	3385089	Track, Dishrack
20	8539222	Dishrack, Upper
24	9743958	Tube, Feed
25	3379369	Wash Assembly w/ Slinger
26	3400850	Screw

FOR ORDERING INFORMATION REFER TO PARTS PRICE LIST

CABINET PARTS

For Model: DP940PWSQ0
(White)



FOR ORDERING INFORMATION REFER TO PARTS PRICE LIST

CABINET PARTS

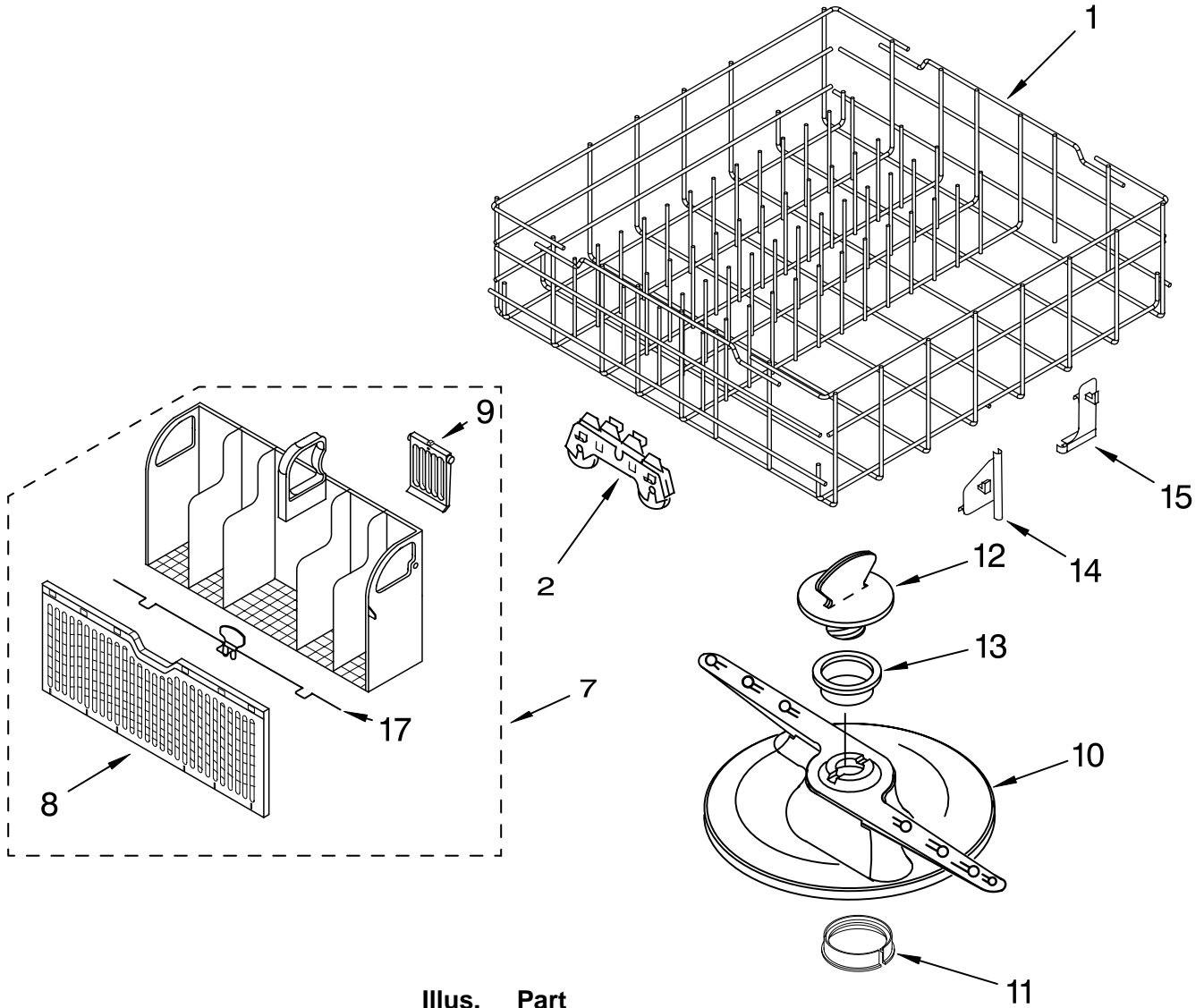
For Model: DP940PWSQ0
(White)

Illus. No.	Part No.	DESCRIPTION
1	3378111	Shell Assembly (White)
2	3378117	Coupler Assembly
3	302868	Screw
4	3378109	Saddle, Hose
5	309330	Clip, Strap
6	3367052	Clamp, Hose
7	16123	Washer
8	3371343	Housing, Hose
9	8566201	Cord, Power
10	3378125	Protector-Edge, Divider
11	3373329	Screw
12	3372381	Shroud, Caster
13	3370544	Screw
14	3373199	Panel, Top
15	304428	Screw (2)
17	8559932	Caster
18	3374592	Adapter, Faucet
19	3372525	Screw
21	3370826	Screw (2)
22	3378126	Protector-Edge, Divider
24	8559928	Frame Assembly
25	3371635	Screw, 8-18 x 1/2
26	3371644	Screw, 8-18 x 5/8
27	302251	Screw

FOR ORDERING INFORMATION REFER TO PARTS PRICE LIST

LOWER DISHRACK PARTS

For Model: DP940PWSQ0
(White)



Illus. No.	Part No.	DESCRIPTION
1	8539225	Dishrack, Lower
2	8268645	Wheel & Transport Assembly
7	8562001	Silverware Basket Assembly
8	8519540	Door, Silverware Basket
9	8562000	Lid, Silverware Basket
10	8268874	Sprayarm, Lower
11	3376846	Seal, Lower Sprayarm
12	8268873	Nut, Sprayarm
13	9742946	Bearing, Radial
14	8268867	Clip, Silverware Basket (Left)
15	8268868	Clip, Silverware Basket (Right)
17	8561999	Latch Assembly

FOR ORDERING INFORMATION REFER TO PARTS PRICE LIST

OPTIONAL PARTS (NOT INCLUDED)

For Model: DP940PWSQ0

(White)

Illus. No.	Part No.	DESCRIPTION	Illus. No.	Part No.	DESCRIPTION	Illus. No.	Part No.	DESCRIPTION
<u>ACCESSORIES</u>			<u>PAINT, TOUCH-UP (1/2oz.)</u>			<u>ANTI-TIP KIT</u>		
		Side Panel Kits			72017 White			4378968 Floor Mounting Kit
		4378867 White			72032 Black			
		4378868 Black			4392899 Biscuit			
		675788 Biscuit	<u>PAINT, PRESSURIZED SPRAY</u>			<u>DISHRACK REPAIR</u>		
		4378869 Almond	<u>(12 oz.)</u>			Tip Tine Repair Kit		
		Custom Panel & Trim Kits			350930 White	(Enough for Two		
		675775 Black			285006 Superior Black	Complete Dishracks)		
		675776 White			4392901 Biscuit			4396838 White
		675809 Biscuit	<u>PAINT, TOUCH-UP (1 qt.)</u>					4396840 Grey
		Moisture Barrier Kit			799344 White (Uncut)			4396854 Silver Atlantis
		4396277 Kit			4392900 Biscuit	Vinyl Touch-Up (4 oz.)		
		Drain Hose						676453 White
		3385556 12 Ft.	<u>POWER CORD KIT</u>					676455 Grey
		Door Spring Kit			4317824 Power Cord Kit	4396853 Silver Atlantis		
		4318050 Spring			(Includes Power	<u>CONVERSION KIT</u>		
					Cord & Misc.	Portable to Undercounter		
					Hardware)			4317856 Black
								675778 White
								4396528 Biscuit

FOR ORDERING INFORMATION REFER TO PARTS PRICE LIST