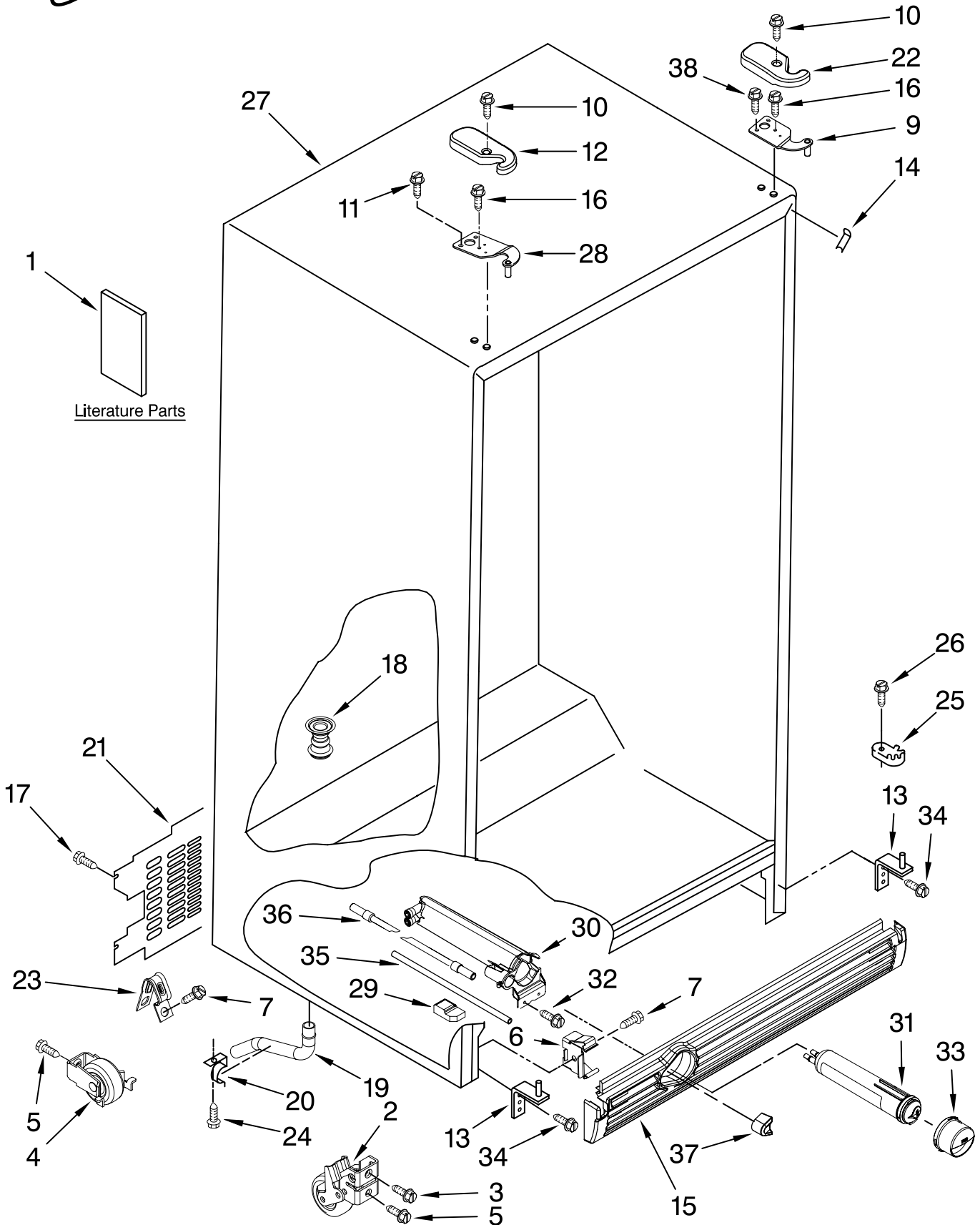




# CABINET PARTS

For Model: ED5FVGXSS04  
(Stainless Steel)

REFRIGERATOR



FOR ORDERING INFORMATION REFER TO PARTS PRICE LIST

# CABINET PARTS

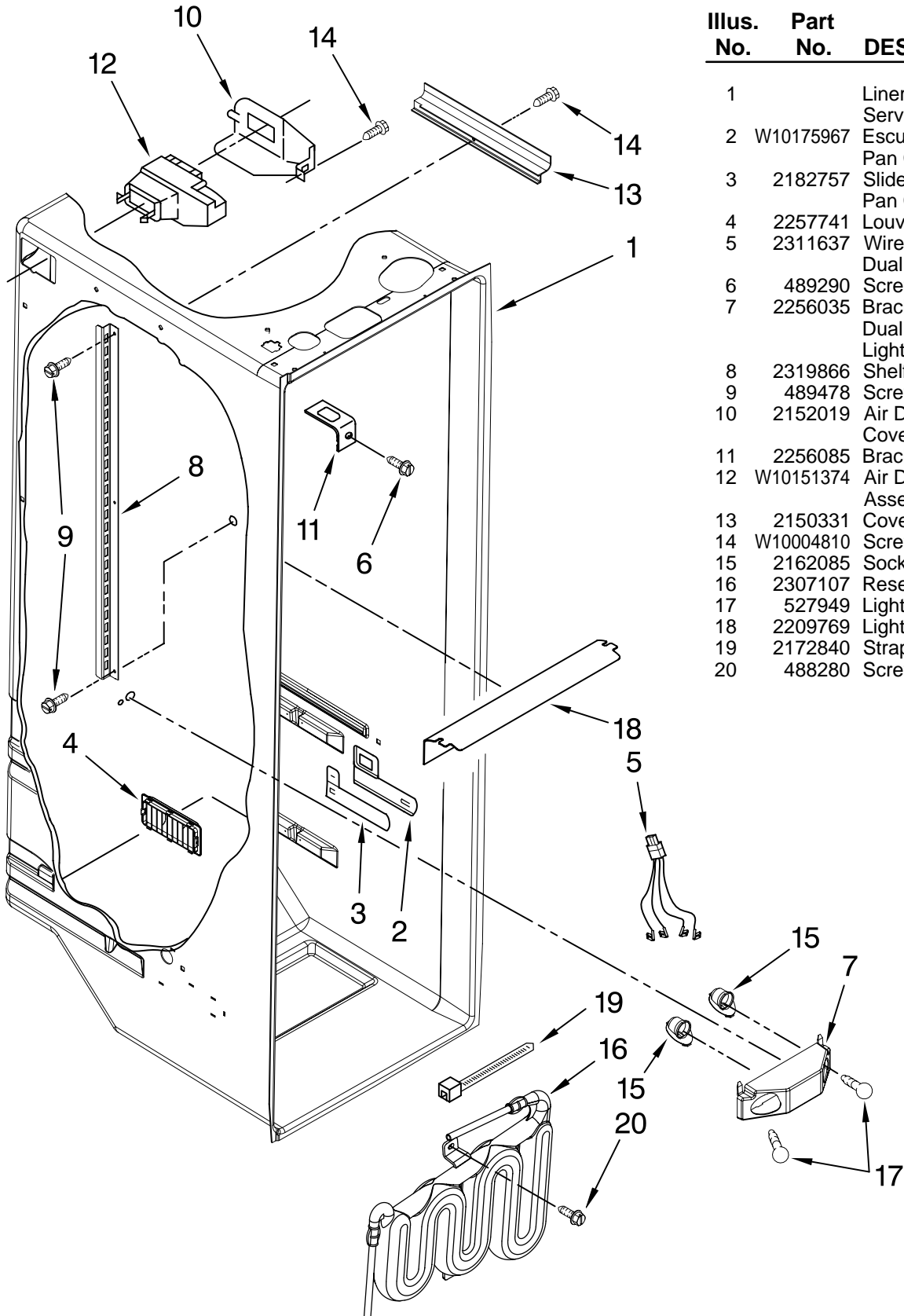
For Model: ED5FVGXSS04  
(Stainless Steel)

Illus. No.	Part No.	DESCRIPTION	Illus. No.	Part No.	DESCRIPTION	Illus. No.	Part No.	DESCRIPTION
1		Literature Parts	13	W10138965	Hinge Bottom	28	2203770	Hinge Top, FC
	2318594	Use & Care Guide	14		Filler, Wrapper	29	2260519	Block, Housing Support
	W10142157	Service & Wiring Sheet		2304848	Black Grille	30	2260507	Housing, Water Filter
	W10196284	Energy Guide	15	2260500B	Black	31	4396841	Water Filter
	628370	Modular Icemaker Service Sheet	16	489497	Screw	32	489500	Screw
2	2174748	Front Roller (2)	17	489464	Screw	33		Cap, Water Filter
3	3400517	Screw	18	2304888	Drain Fitting		2260502B	Black
4	2196236	Roller (Rear) (2)	19	1108438	Extension Tube	34	3400113	Screw
5	489427	Screw	20	1108439	Clip, Drain Tube	35	2255012	Tube, Filter Outlet
6	2155013	Clip, Grille	21	2188735	Cover, Unit	36	2319867	Tube, Filter Inlet
7	489478	Screw	22		Hinge Cover RC	37		Button, Water Filter
9	2203771	Hinge Top RC		2203408B	Black		2260503B	Black
10	8281227	Screw	23	549193	Clamp, Service Cord	38	3400858	Screw
11	3400858	Screw	24	489084	Screw			
12		Hinge Cover FC	25	2155311	Door Closer, Lower Cam (2)			
	2203407B	Black	26	489483	Screw			
			27		Cabinet (Not a Serviceable Part)			

FOR ORDERING INFORMATION REFER TO PARTS PRICE LIST

# REFRIGERATOR LINER PARTS

For Model: ED5FVGXSS04  
(Stainless Steel)



Illus. No.	Part No.	DESCRIPTION
1		Liner (Not A Serviceable Part)
2	W10175967	Escutcheon, Meat Pan Control
3	2182757	Slide, Meat Pan Control
4	2257741	Louver
5	2311637	Wire Harness, Dual Crisper
6	489290	Screw (2)
7	2256035	Bracket, Dual Crisper Light
8	2319866	Shelf Ladder
9	489478	Screw
10	2152019	Air Diffuser Cover
11	2256085	Bracket Retainer
12	W10151374	Air Diffuser Assembly
13	2150331	Cover, Conduit
14	W10004810	Screw
15	2162085	Socket
16	2307107	Reservoir
17	527949	Light Bulb
18	2209769	Light Lens
19	2172840	Strap
20	488280	Screw (2)

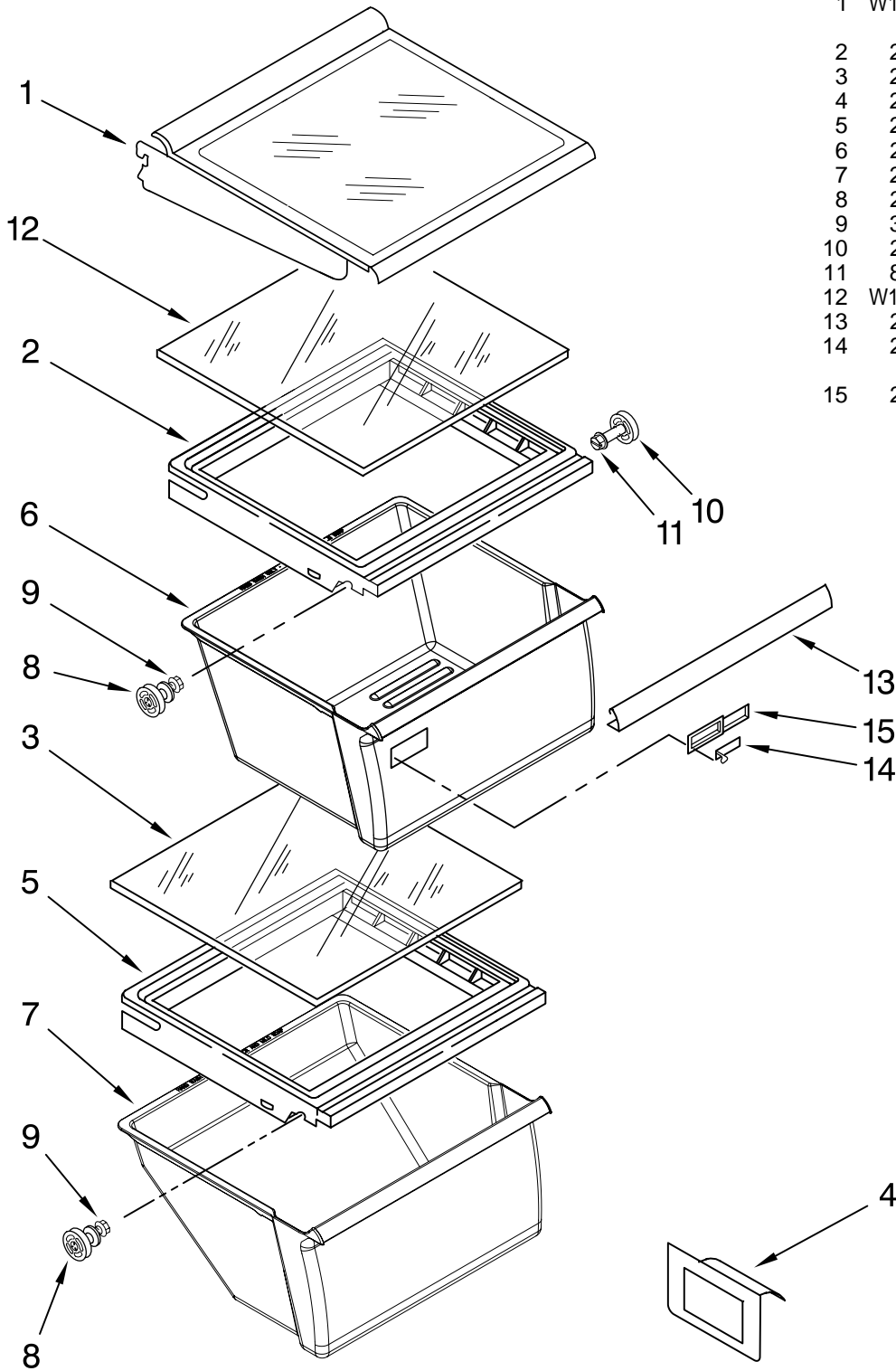
FOR ORDERING INFORMATION REFER TO PARTS PRICE LIST

# REFRIGERATOR SHELF PARTS

For Model: ED5FVGXSS04  
(Stainless Steel)

Illus. No.	Part No.	DESCRIPTION
------------	----------	-------------

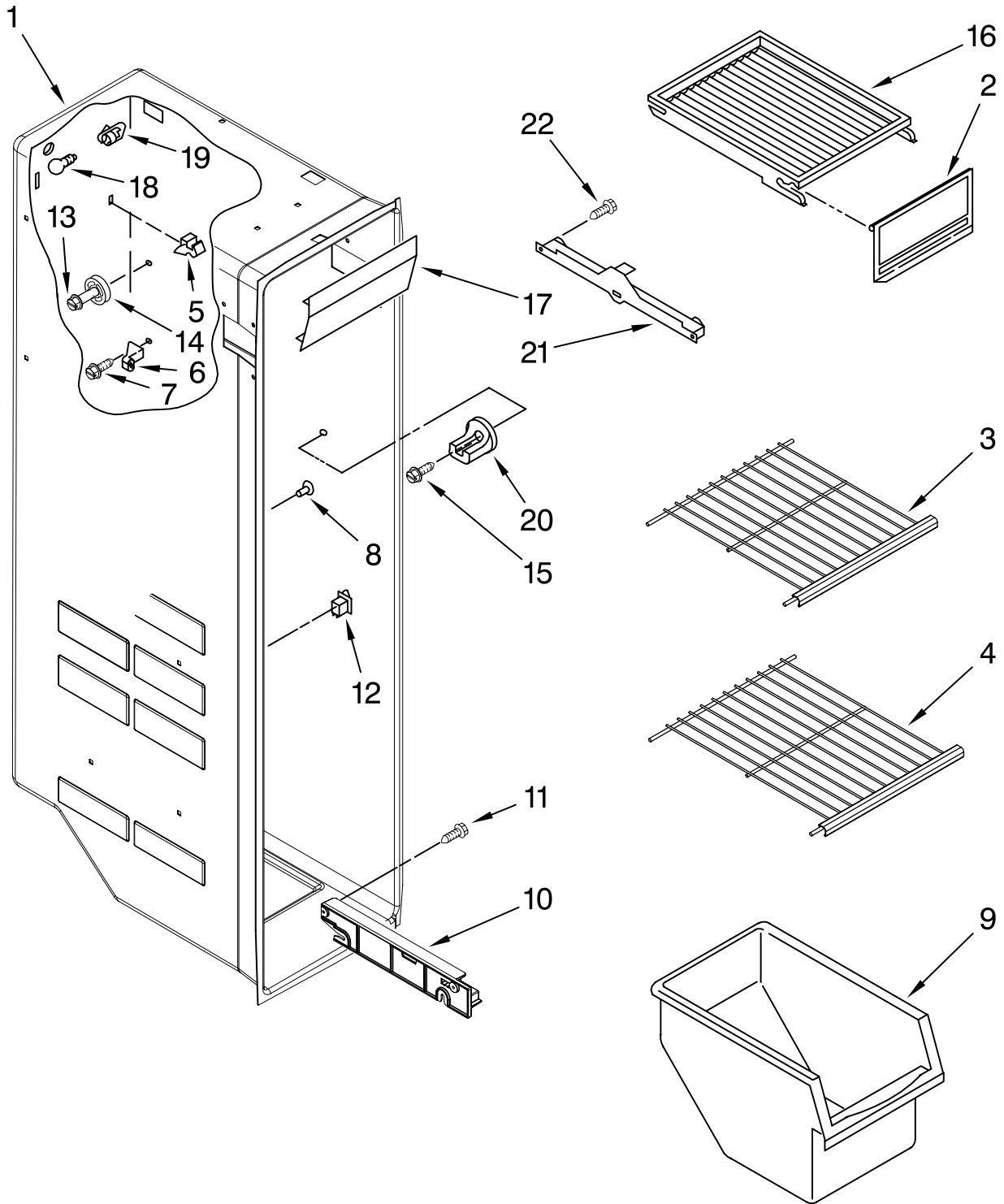
- |    |           |                                |
|----|-----------|--------------------------------|
| 1  | W10141749 | Shelf Assembly, Spillguard (3) |
| 2  | 2209698   | Cover, Crisper                 |
| 3  | 2179259   | Glass, Cover                   |
| 4  | 2179350   | Deflector                      |
| 5  | 2311726   | Cover, Meat Pan                |
| 6  | 2188652   | Crisper Pan                    |
| 7  | 2188654   | Meat Pan                       |
| 8  | 2196485   | Stud Assembly                  |
| 9  | 3400894   | Screw                          |
| 10 | 2196483   | Stud Assembly                  |
| 11 | 8281158   | Screw                          |
| 12 | W10141752 | Glass, Cover                   |
| 13 | 2255593   | Trim, Handle                   |
| 14 | 2179342   | Slide, Humidity Control        |
| 15 | 2179343   | Body, Humidity Control         |



FOR ORDERING INFORMATION REFER TO PARTS PRICE LIST

# FREEZER LINER PARTS

For Model: ED5FVGXSS04  
(Stainless Steel)



FOR ORDERING INFORMATION REFER TO PARTS PRICE LIST

# FREEZER LINER PARTS

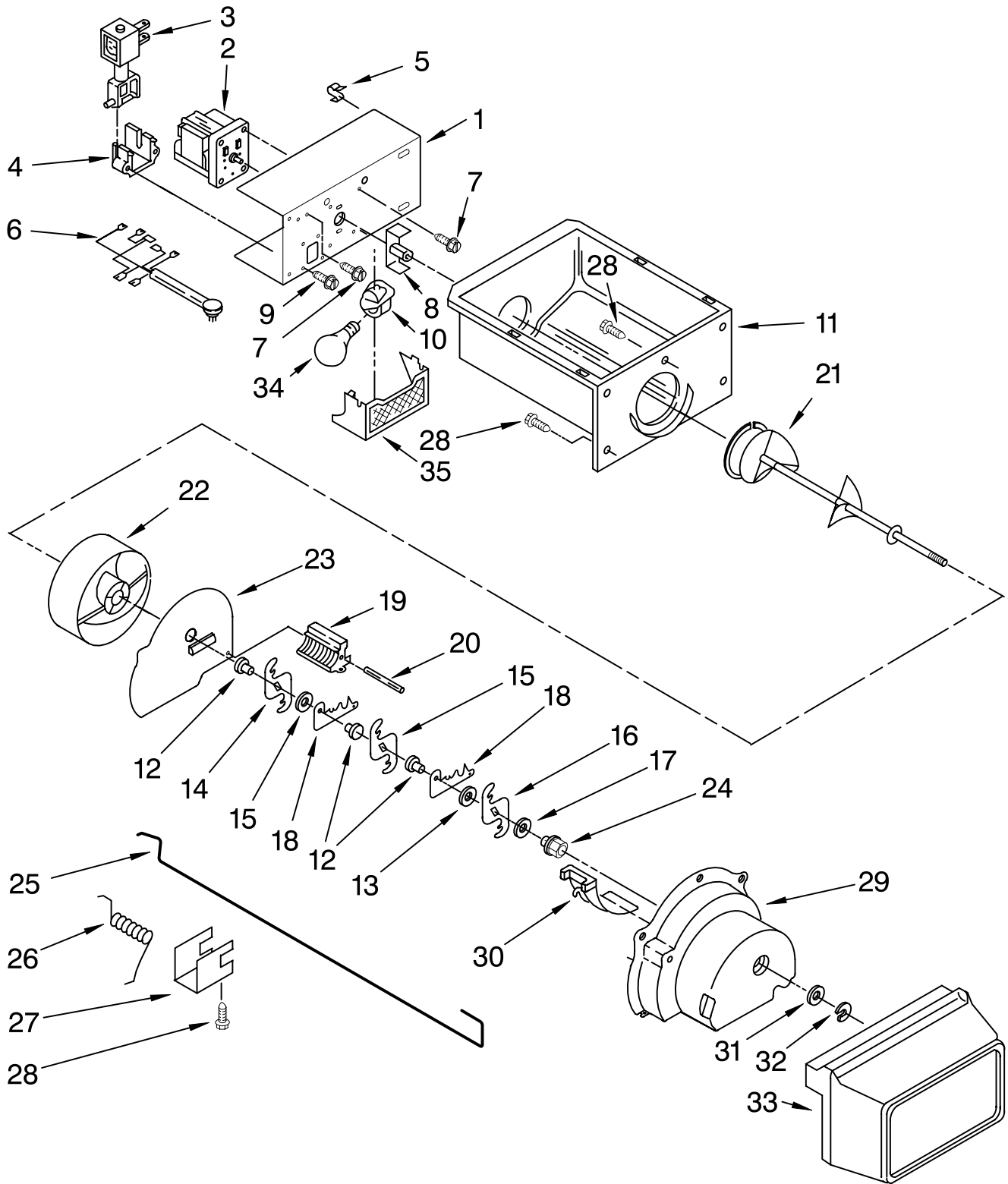
For Model: ED5FVGXSS04  
(Stainless Steel)

<b>Illus. No.</b>	<b>Part No.</b>	<b>DESCRIPTION</b>
1		Liner (Not A Seviceable Part)
2	2171713K	Door, Ice Compartment
3	2174267K	Shelf, Upper
4	2174268K	Shelf (2)
5	842534	Clip, Air Duct (2)
6	2196206	Support, Stud (4)
7	3400893	Screw
8	2176134	Grommet
9	2182971	Freezer Bin
10		Slide, Basket
	2261449	Right Side
	2261448	Left Side
11	W10004810	Screw
12	1115373	Switch, Rocker Arm
13	8281158	Screw
14	2196483	Stud Assembly
15	3400893	Screw
16	2171714K	Shelf, Top Compartment
17	2171705	Lens, Light
18	527949	Light Bulb
19	2162085	Light Socket
20	2196207	Stud, Rear
21		Slide, Container
	1119237	Left Side
	1119293	Right Side
22	489100	Screw

FOR ORDERING INFORMATION REFER TO PARTS PRICE LIST

# MOTOR AND ICE CONTAINER PARTS

For Model: ED5FVGXSS04  
(Stainless Steel)



FOR ORDERING INFORMATION REFER TO PARTS PRICE LIST

# MOTOR AND ICE CONTAINER PARTS

For Model: ED5FVGXSS04  
(Stainless Steel)

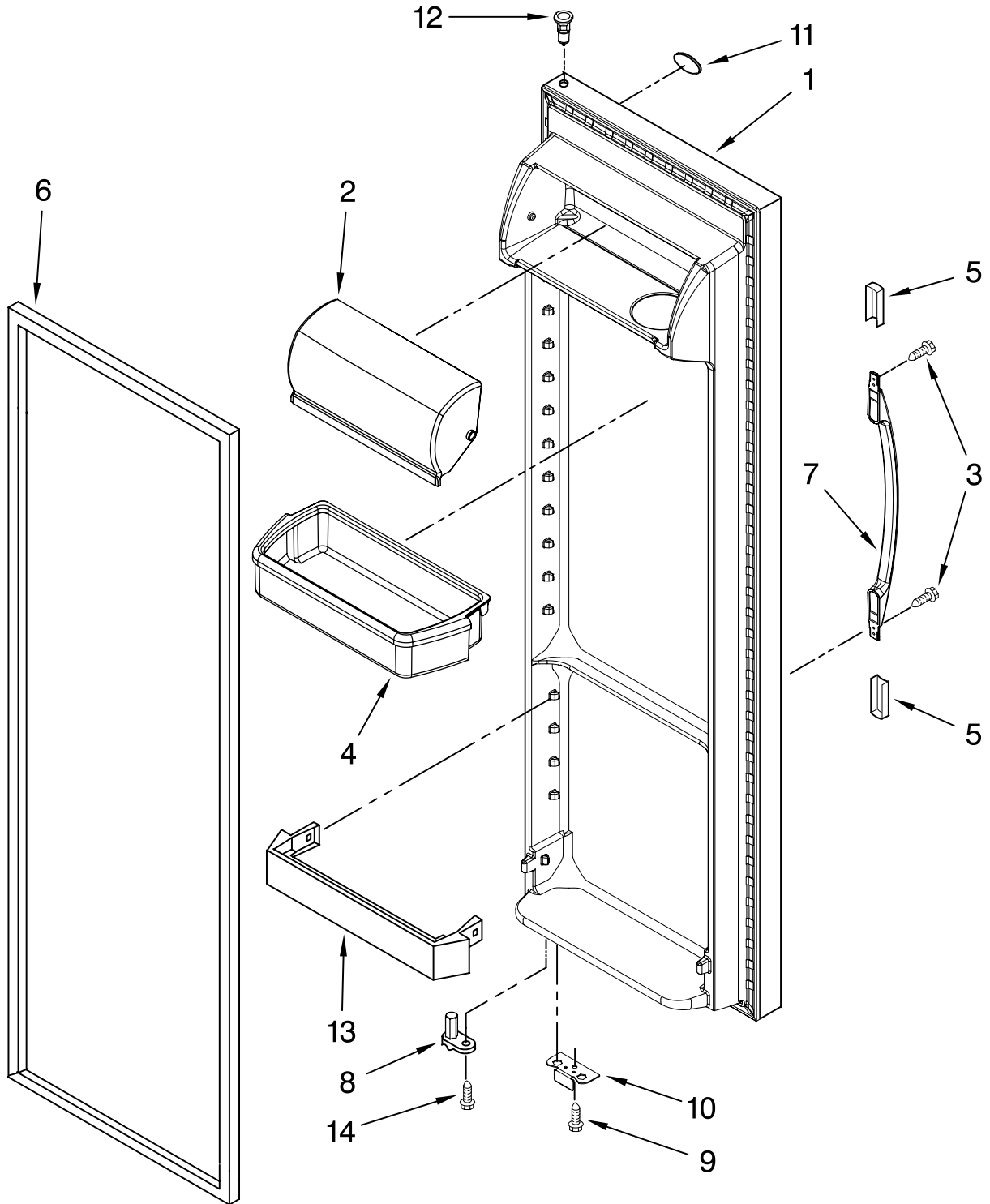
<u>Illus.</u> <u>No.</u>	<u>Part</u> <u>No.</u>	<u>DESCRIPTION</u>
1	2254587	Bracket, Motor
2	W10181208	Motor, Dispenser
3	2152713	Soleniod Assembly
4	2149100	Guide, Soleniod
5	1115374	Clip, Wiring
6	2206501	Wiring Assembly, Ice Dispenser
7	489399	Screw
8	W10140958	Coupling, Motor
9	489478	Screw
10	2162085	Socket, Light
11	2196091	Ice Container
12	1119005	Spacer, Step (3)
13	1119007	Spacer, Flat (2)
14	2257022	Blade, Rotary
15	2257023	Blade, Rotary
16	2257024	Blade, Rotary
17	489235	Washer, Plain
18	1119009	Blade, Fixed (2)
19	2157405	Block, Blade
20	489229	Roll Pin
21	2196295	Auger
22	2305377	Drum
23	2171682	Floating Baffle
24	1119018	Nut, Bearing
25	2155231	Control Arm
26	1119020	Spring, Return
27	1119021	Retainer Clip, Rod
28	488886	Screw
29	2180348	Housing, Crusher
30	1119017	Deflector, Ice
31	489234	Washer, Plain
32	489236	Retainer Ring
33	2204321	Front Cover, Ice Container
34	527949	Light Bulb
35	2171706	Light Lens, Dispenser
100	2209780	Ice Container Assembly

FOR ORDERING INFORMATION REFER TO PARTS PRICE LIST



# REFRIGERATOR DOOR PARTS

For Model: ED5FVGXSS04  
(Stainless Steel)



FOR ORDERING INFORMATION REFER TO PARTS PRICE LIST

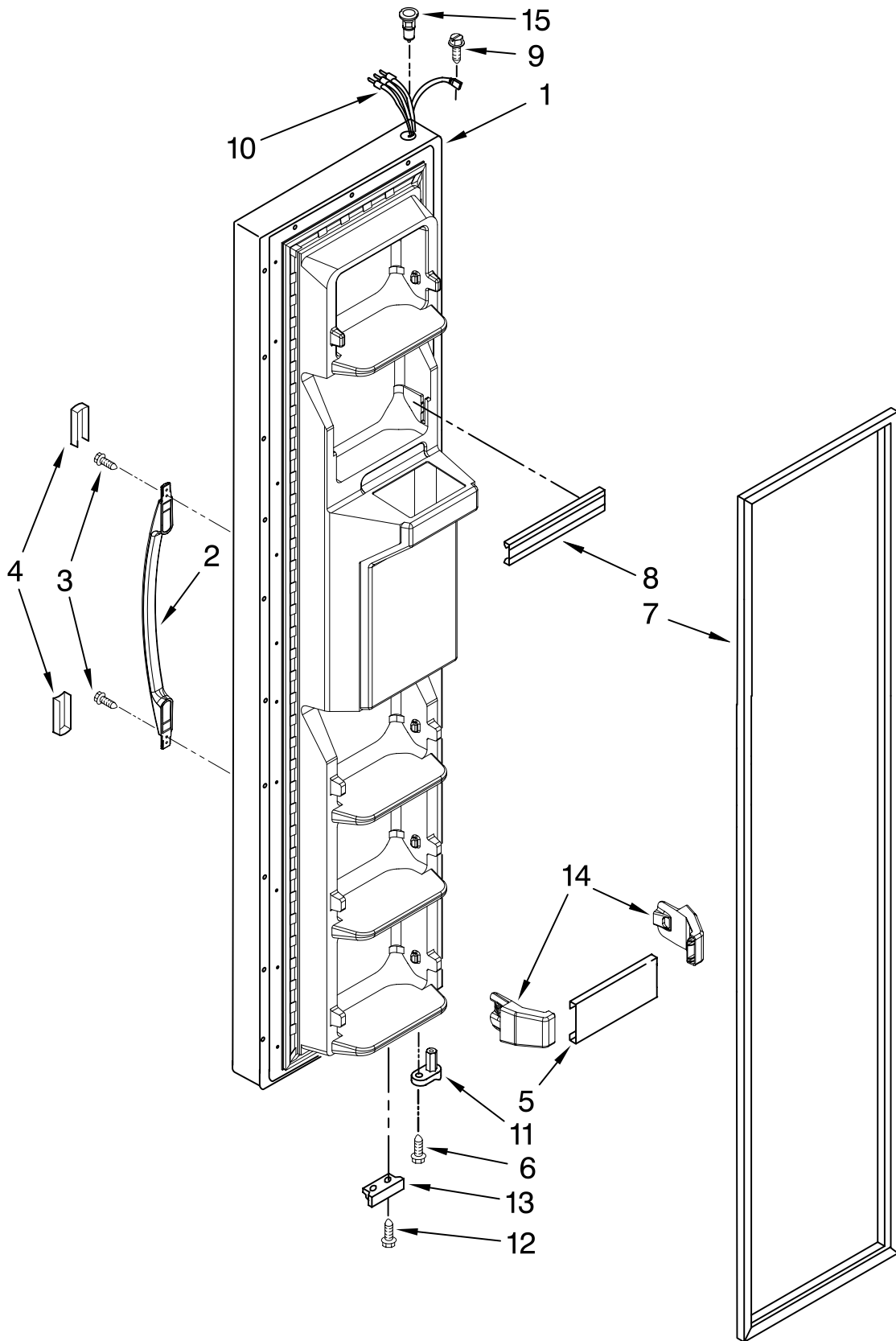
# REFRIGERATOR DOOR PARTS

For Model: ED5FVGXSS04  
(Stainless Steel)

<b>Illus. No.</b>	<b>Part No.</b>	<b>DESCRIPTION</b>
1		Refrigerator Door (Includes Item 6)
	2206825S	Stainless Steel
2	2256101	Door, Compartment
3	489491	Screw
4	2203828K	Door Bin (3)
5		Extension, Handle
	2193353B	Black
6		Door Gasket, Magnetic (Repair)
	2221313	Black
7		Handle, Center
	2186649B	Black
8	2182178	Door Closer, Upper Cam
9	489420	Screw
10		Bracket, Door Stop
	2206629B	Black
11	2255121	Nameplate
12	2182181	Thimble, Top
13	2156022	Trivet
14	3400012	Screw

# FREEZER DOOR PARTS

For Model: ED5FVGXSS04  
(Stainless Steel)



FOR ORDERING INFORMATION REFER TO PARTS PRICE LIST

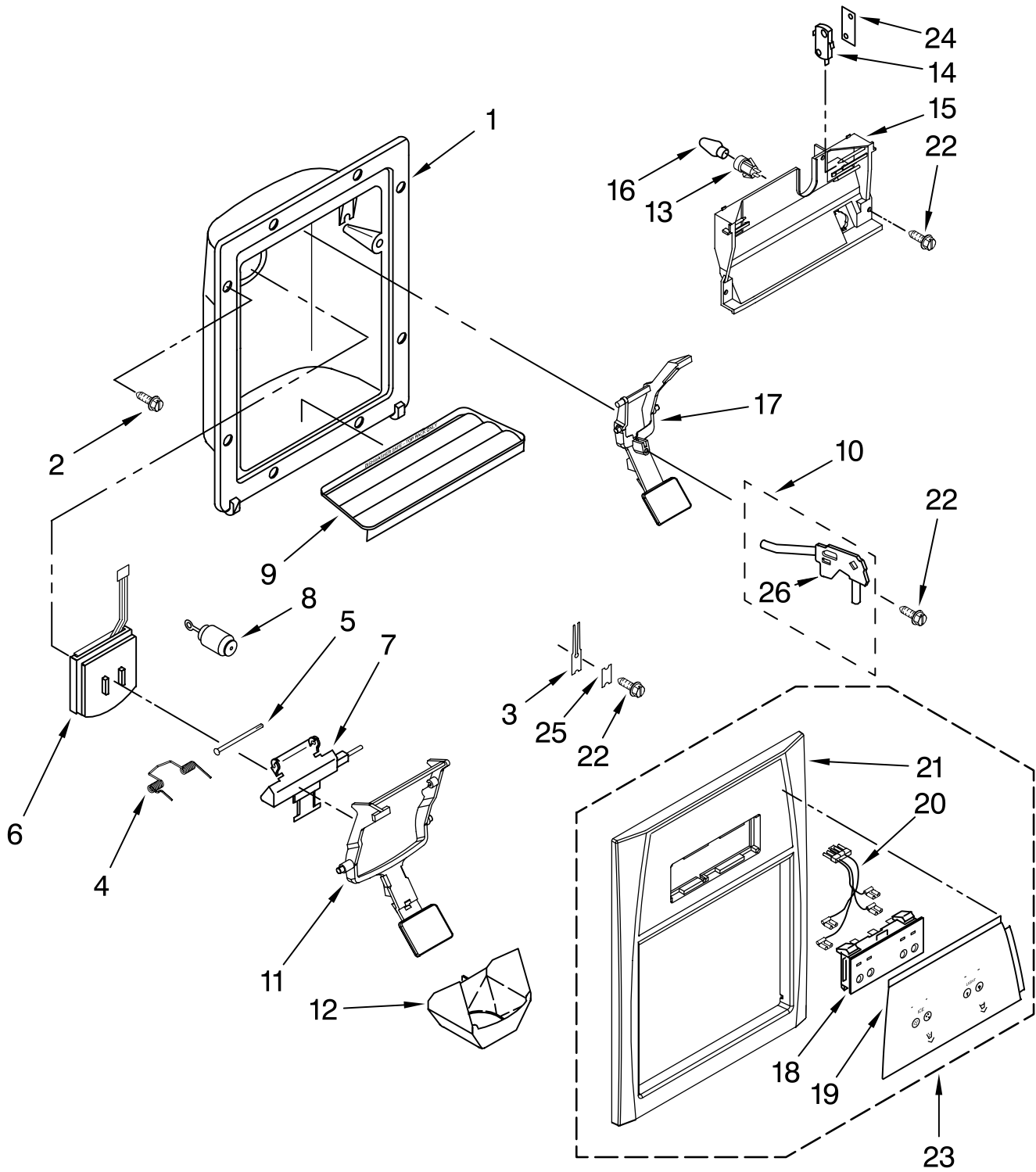
# FREEZER DOOR PARTS

For Model: ED5FVGXSS04  
(Stainless Steel)

<u>Illus.</u> <u>No.</u>	<u>Part</u> <u>No.</u>	<u>DESCRIPTION</u>
1		Freezer Door (Includes Item 8 And Dispenser Front Parts)
	2318425S	Stainless Steel
2		Handle, Center
	2186649B	Black
3	489491	Screw
4		Extension, Handle
	2193353B	Black
5	2313199K	Trim, Door (4)
6	3400012	Screw
7		Door Gasket, Magnetic (Repair)
	2221314	Black
8	2209681	Trim, Door Shelf
9	488500	Screw
10	2206601	Wire Harness
11	2182179	Door Closer, Upper Cam
12	489420	Screw
13		Bracket, Door Stop
	2206629B	Black
14	2195917	End Cap (8)
15	2182181	Thimble, Top

# DISPENSER FRONT PARTS

For Model: ED5FVGXSS04  
(Stainless Steel)



FOR ORDERING INFORMATION REFER TO PARTS PRICE LIST

# DISPENSER FRONT PARTS

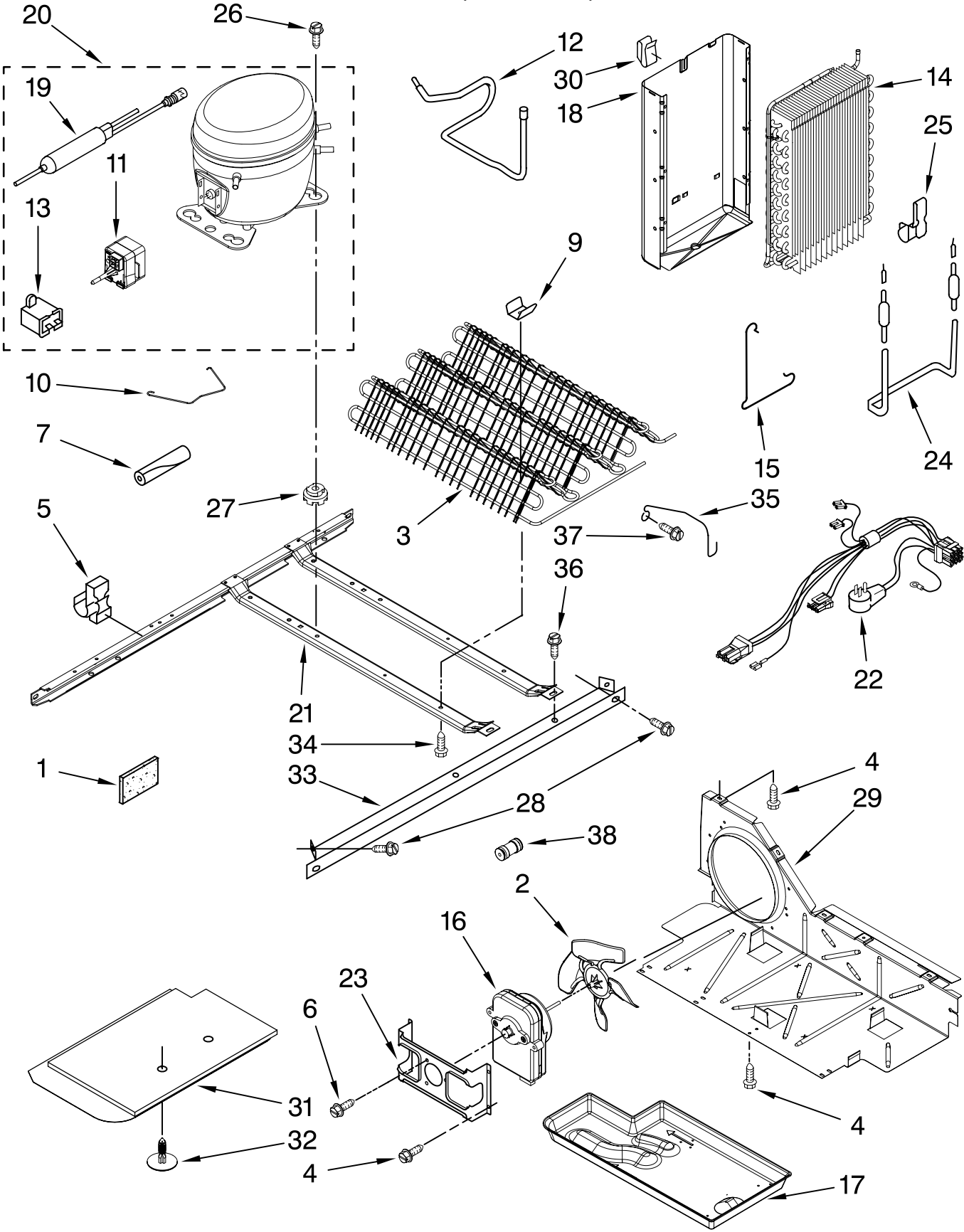
For Model: ED5FVGXSS04  
(Stainless Steel)

Illus. No.	Part No.	DESCRIPTION
1		Housing, Dispenser (Not Serviced)
2	3196537	Screw
3	2194719	Retainer, Levers
4	2304772	Spring, Torsion
5	2196195	Pin
6	2180353	Door, Ice
7	2304355	Door Mechanism Assembly
8	2205686	Mechanism Delay
9		Grille, Overflow
	2206670B	Black
10	2304317	Water Fitting Assembly (Includes Water Tube)
11		Lever, Ice Dispenser
	2195089B	Black
12	2180224	Guide, Ice
13	2180200	Lamp Holder
14	2162361	Switch (4)
15	2183771	Bracket, Control
16	3406124	Bulb, Light
17		Lever, Water Dispenser
	2195090B	Black
18	2180279	Switch Assembly
19		Overlay, Front Cover (Not Available Order #23)
20	2187408	Wire Assembly
21		Front Cover, Housing (Not Available, Order #23)
22	489000	Screw
23		Front Cover Assembly (Includes Items 18, 19, 20 & 21)
	2318424B	Black
24	625834	Spacer, Switch (2)
25	2195051	Strain Relief
26	2304673	Bracket, Dispenser

FOR ORDERING INFORMATION REFER TO PARTS PRICE LIST

# UNIT PARTS

For Model: ED5FVGXSS04  
(Stainless Steel)



FOR ORDERING INFORMATION REFER TO PARTS PRICE LIST

# UNIT PARTS

For Model: ED5FVGXSS04  
(Stainless Steel)

Illus. No.	Part No.	DESCRIPTION
1	2169104	Insulation-Sound
2	2225834	Fan, Blade
3	W10121484	Condenser Assembly (Also Order #9)
4	489464	Screw
5	2208280	Clip, Wire
6	8533993	Screw
7	2161302	Sleeve
9	2216914	Clip, Condenser
10	2223313	Bale Strap
11	2304885	Start-Device, Combination (Start Relay and Overload)
12	2205765	Tube Suction
13	2264017	Capacitor
14	2188823	Evaporator
15	2161324	Clamp
16	W10130108	Fan, Motor
17	1105523	Tray, Evaporator
18	2217194	Heat Shield
19		Drier
	W10177049	Production
	2317845	Service

Illus. No.	Part No.	DESCRIPTION
20	W10120460	Compressor (Includes Items 11, 13, 19 & 27) (Also Order 876765 Tube Kit)
21	2304904	Unit Mounting Frame
22	2187510	Unit, Harness
23	2181929	Fan, Motor Bracket
24	2323198	Heater, Defrost
25	2304287	Clip
26	489373	Screw (4)
27	4387558	Grommet (4)
28	489340	Screw
29	2196202	Air Baffle
30	2155547	Clip, Heat Shield
31	2304899	Unit Cover, Bottom
32	489396	Clip
33	2305374	Unit Mounting Rail
34	8281232	Screw
35	2260517	Guard, Fan
36	489427	Screw
37	488649	Screw
38	2320322	Connector, Water Tube

Illus. No.	Part No.	DESCRIPTION
Following Parts Not Illustrated and Optional Parts Not Included		
	978025	Valve, Access (1/4")
	978026	Valve, Access (5/16")
	978027	Valve, Access (3/8")
	978028	Valve, Access (1/2")
	978029	Valve, Access (5/8")
	978030	Valve, Access (3/4")
	876764	Valve, Access (3/16")

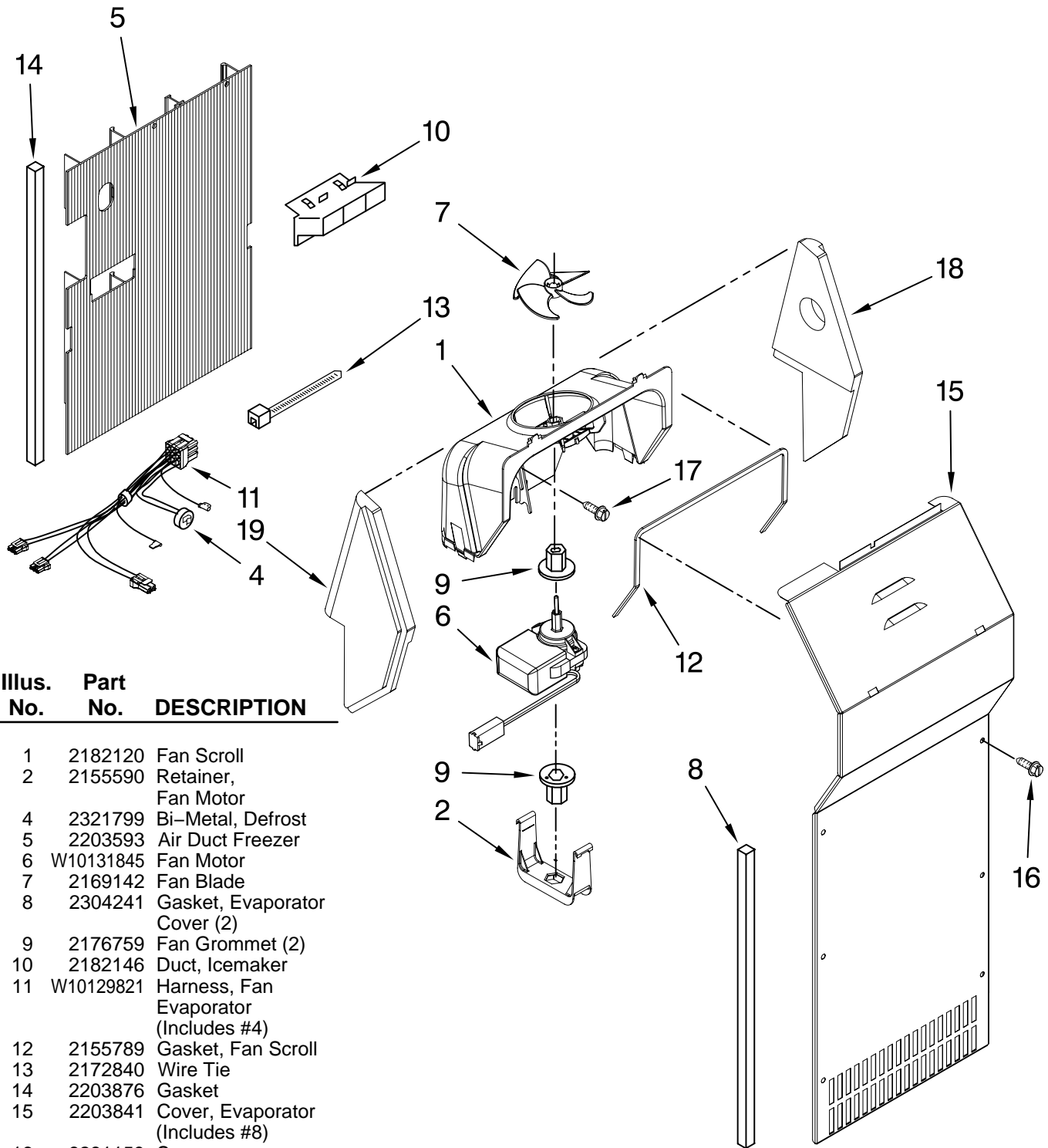
### REFRIGERANT CHARGE

5.0 oz.  
(R-134A)



# AIR FLOW PARTS

For Model: ED5FVGXSS04  
(Stainless Steel)

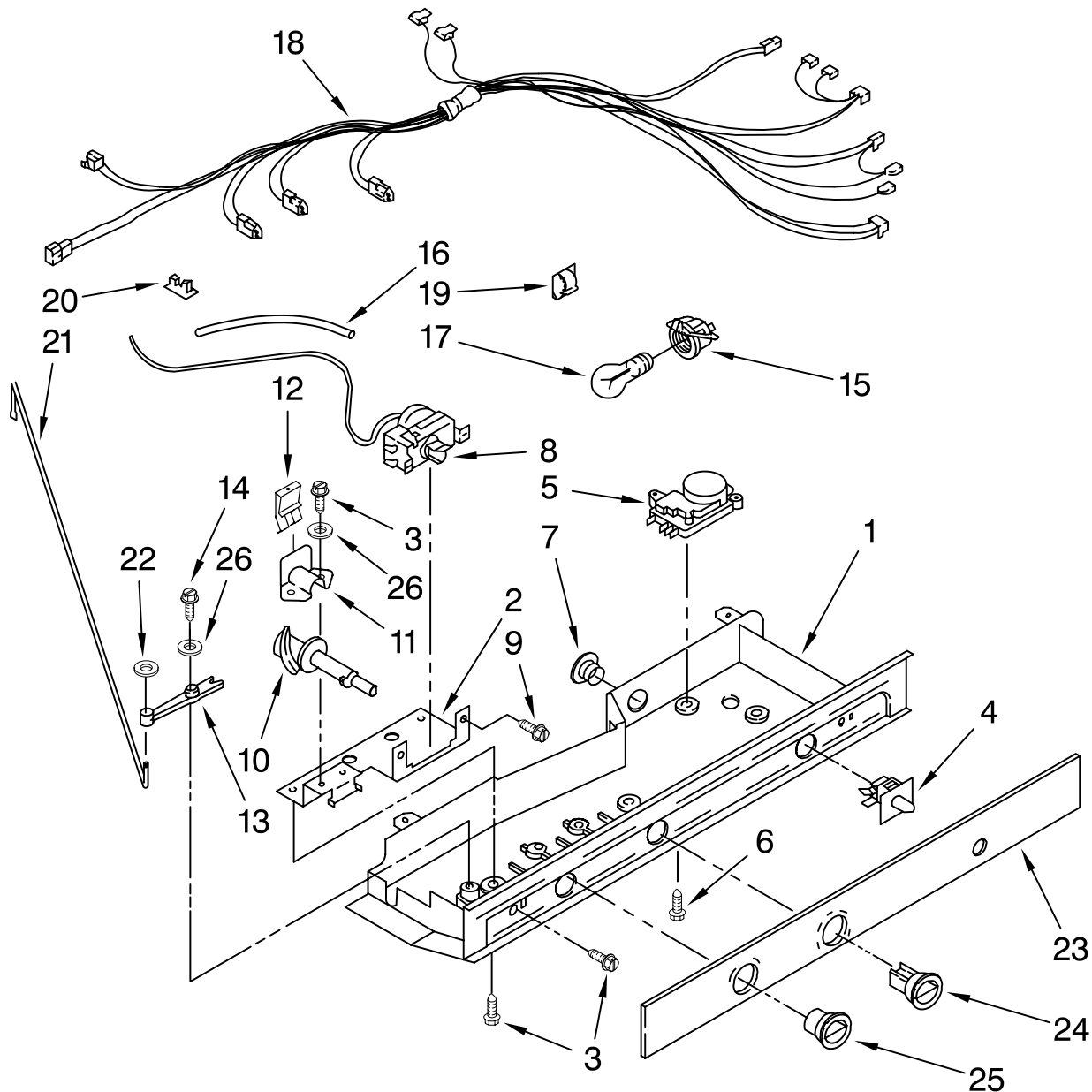


Illus. No.	Part No.	DESCRIPTION
1	2182120	Fan Scroll
2	2155590	Retainer, Fan Motor
4	2321799	Bi-Metal, Defrost
5	2203593	Air Duct Freezer
6	W10131845	Fan Motor
7	2169142	Fan Blade
8	2304241	Gasket, Evaporator Cover (2)
9	2176759	Fan Grommet (2)
10	2182146	Duct, Icemaker
11	W10129821	Harness, Fan Evaporator (Includes #4)
12	2155789	Gasket, Fan Scroll
13	2172840	Wire Tie
14	2203876	Gasket
15	2203841	Cover, Evaporator (Includes #8)
16	8281159	Screw
17	489478	Screw
18	2203595	Support, R.S
19	2203596	Support, L.S

FOR ORDERING INFORMATION REFER TO PARTS PRICE LIST

# CONTROL PARTS

For Model: ED5FVGXSS04  
(Stainless Steel)



Illus. No.	Part No.	DESCRIPTION
1	2200137	Control Box
2	1110629	Mounting Bracket
3	3196537	Screw (4)
4	2149705	Light Switch
5	2188375	Defrost Timer
6	489398	Screw (2)
7	940014	Hole Plug
8	2198202	Thermostat Assembly
9	487869	Screw
10	2182195	Cam Assembly
11	1110560	Bearing Body

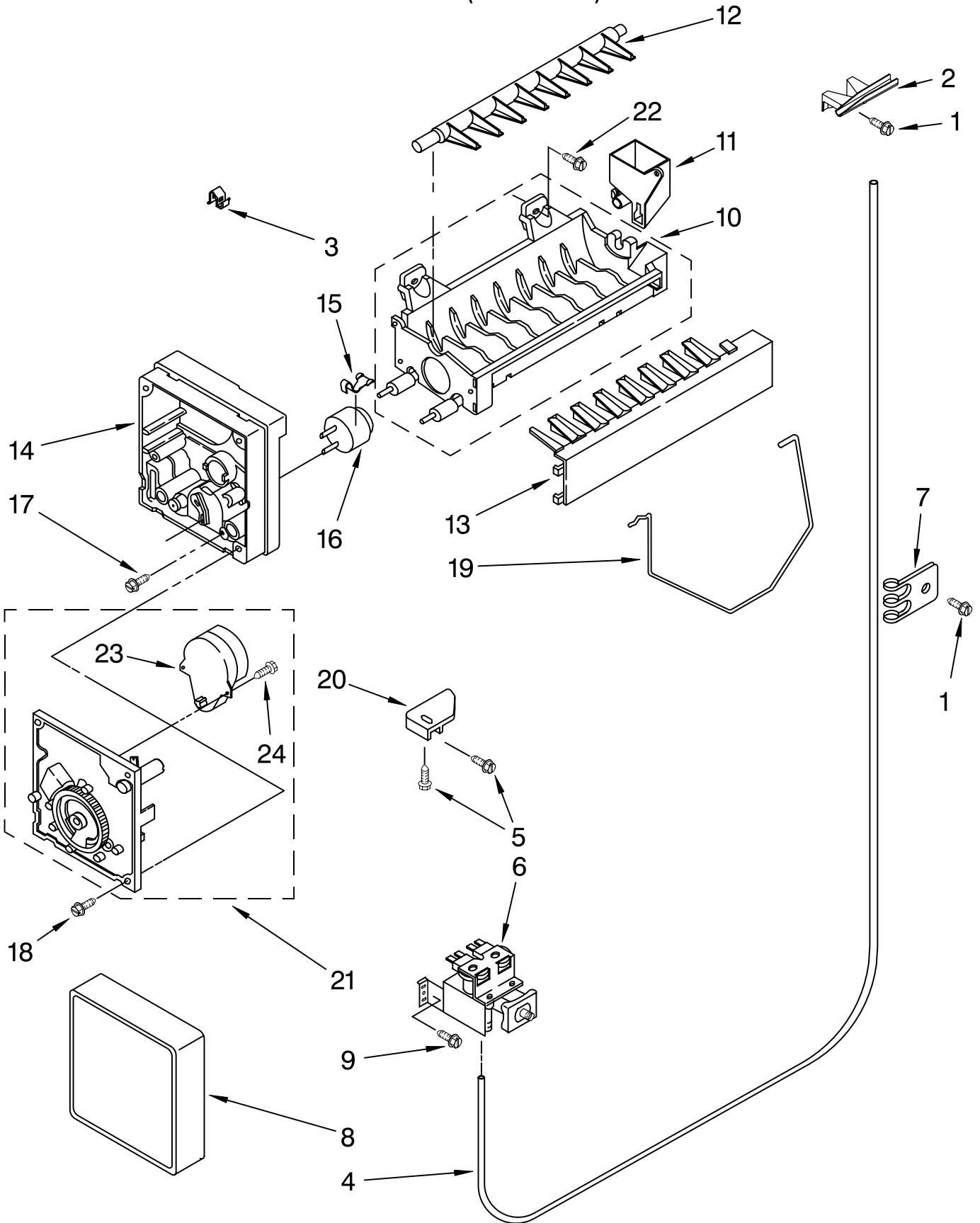
Illus. No.	Part No.	DESCRIPTION
12	2196062	Clip, Damper Control
13	1110559	Pivot Arm
14	627068	Screw
15	2162085	Light Socket
16	2196001	Thermostat, Barrier
17	527949	Light Bulb
18	2206512	Control Box Harness

Illus. No.	Part No.	DESCRIPTION
19	1115374	Clip, Wiring
20	1115375	Clip, Wiring
21	1123960	Connecting Rod
22	489285	Fastener, Push-On
23	W10127398	Escutcheon, Control Box
24	2182111	Thermostat knob
25	2197871	Knob, Air Control
26	489203	Spring Washer

FOR ORDERING INFORMATION REFER TO PARTS PRICE LIST

# ICEMAKER PARTS

For Model: ED5FVGXSS04  
(Stainless Steel)



FOR ORDERING INFORMATION REFER TO PARTS PRICE LIST

# ICEMAKER PARTS

For Model: ED5FVGXSS04  
(Stainless Steel)

<b>Illus. No.</b>	<b>Part No.</b>	<b>DESCRIPTION</b>
1	489084	Screw
2	2209774	Chute, Water
3	628379	Clip, Fuse
4	2223137	Tube, Water
5	489478	Screw
6	2315534	Filter Valve Asm
7	2208136	Tube Clip
8	2174155	Cover
9	488649	Screw
10	W10122527	Mold & Heater Assembly (Also Order 542638)
11	628515	Cup, Water Fill
12	627843	Ejector
13	2182124	Ice Striper
14	2194712	Support
15	2315522	Retainer, Thermostat
16	628397	Thermostat (Also Order 542369 Cement Alumilastic)
17	8533917	Screw
18	489276	Screw
19	2304354	Shut Off Arm
20	628320	Bracket
21	626691	Module Assembly (Includes Items 23 and 24)
22	488208	Screw
23	626683	Motor
24	489136	Screw
100	W10122507	Complete Ice maker Assembly

# OPTIONAL PARTS (NOT INCLUDED)

For Model: ED5FVGXSS04  
(Stainless Steel)

Illus. No.	Part No.	DESCRIPTION	Illus. No.	Part No.	DESCRIPTION	Illus. No.	Part No.	DESCRIPTION
<b><u>PAINT, PRESSURIZED SPRAY (12 oz.)</u></b>			<b><u>Miscellaneous</u></b>			<b><u>TORX SCREW WRENCH</u></b>		
	*350942	Primer, White		8129	Coil Brush		1117510	Torx Key
	*8171357	Graphite		212643	Sealer, Gum (4 Feet)			
<b><u>PAINT, TOUCH-UP (1/2oz.)</u></b>				479502	Tape, Vinyl (3/4 x 108")			
	80051	Graphite		505587	Sealer, Mastic (1 Qt.)			
<p><b>*Important:</b> The spray paint is not to be used where the paint may make contact with the door gaskets.</p>				503695	Cork, Sealer (1/4 Pound)			
				542638	Grease, Silicone (1/2 Oz.)			
<b><u>PAINT, BULK (1 qt.)</u></b>				542639	Cement, Alumilastic (1-1/4 Oz.)			
	8171358	Graphite		799833	Kit, Evaporator Repair (Aluminum Epoxy)			
				833938	Kit, Terminal Connector			

FOR ORDERING INFORMATION REFER TO PARTS PRICE LIST