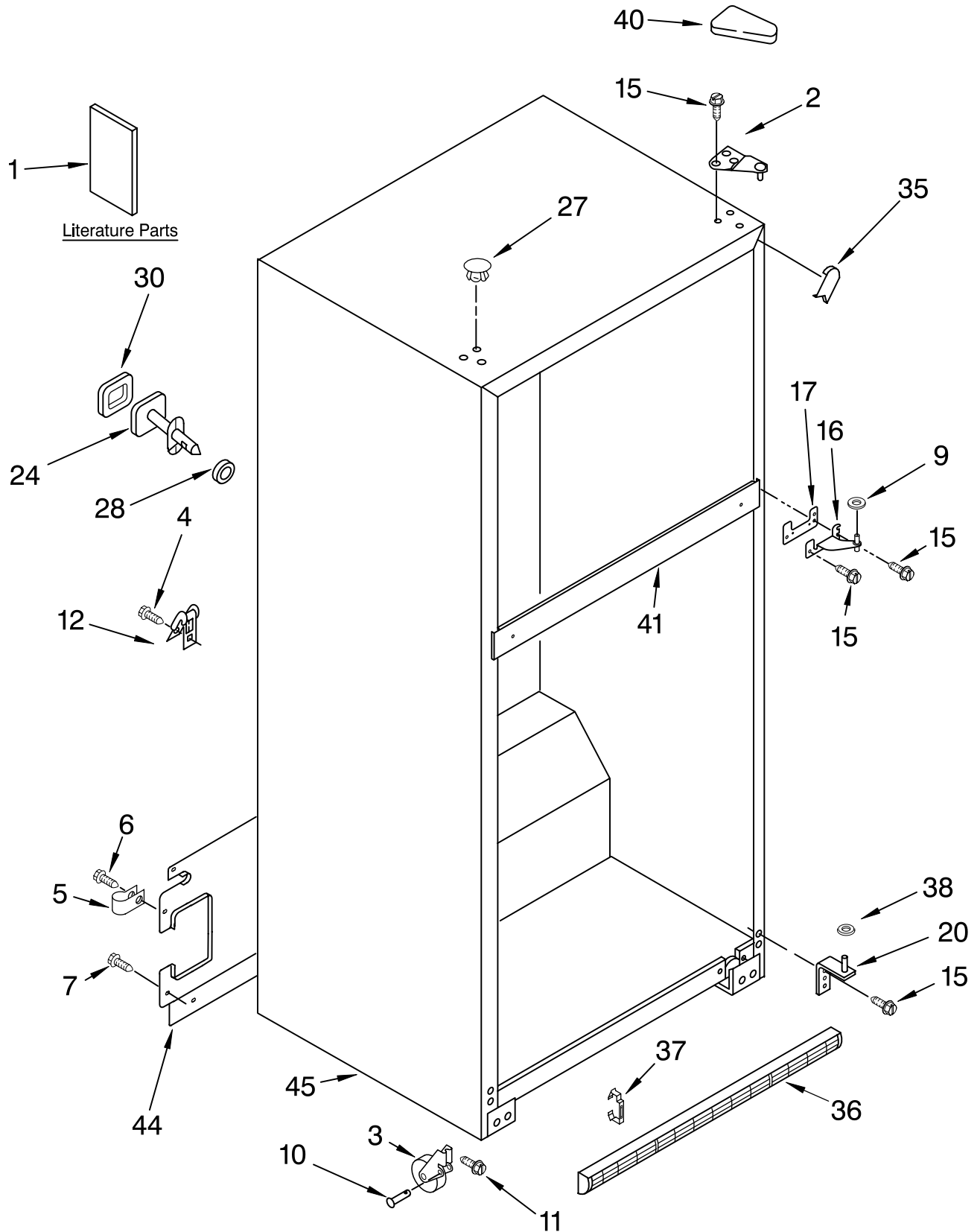




CABINET PARTS

For Models: ER2MHKXPL02
(Stainless-VCM)

REFRIGERATOR



FOR ORDERING INFORMATION REFER TO PARTS PRICE LIST

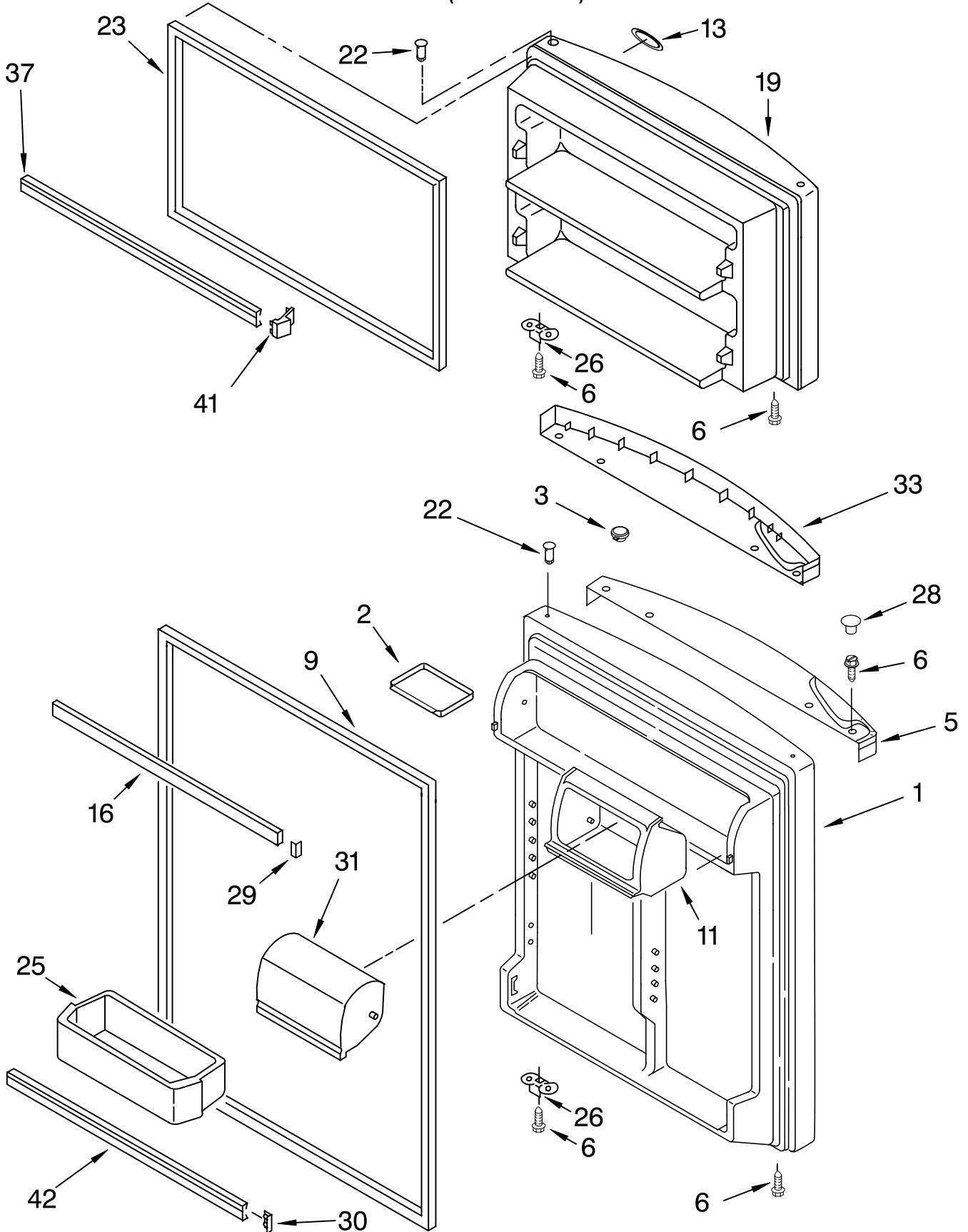
CABINET PARTS

For Models: ER2MHKXPL02
(Stainless-VCM)

Illus. No.	Part No.	DESCRIPTION	Illus. No.	Part No.	DESCRIPTION	Illus. No.	Part No.	DESCRIPTION
1		Literature Parts	2	2189410	Hinge (Top)	24		Fitting, Water Tube (Not Serviced)
	2314273	Service & Wiring Sheet	3	2166108	Roller, Front (2)			
	2302166	Energy Label	4	489464	Screw, 8-18 x 1/2	27	2183998	Hole Plug (6)
	2302037	Use & Care Guide	5	489385	Clamp, Tube (Water Supply Line)	28		Seal, Front (Not Serviced)
	2225413	Customer Instructions	6	8281265	Screw	30		Seal, Rear (Not Serviced)
Following May Be Purchased			7	489427	Screw	35	2201017	Corner Filler (2)
DO-IT-YOURSELF REPAIR MANUALS			9	489341	Washer	36	2254315	Grille (Includes Illus. 37)
	677969	Do-It-Yourself Manual, Ref./Fzr.	10	2179826	Rivet	37	2189356	Clip, Grille (2)
			11	3400504	Screw	38	487576	Washer
			12	549193	Clamp, Cord	40	2213363	Cover, Hinge Rail, Center (Not Serviced)
			15	489497	Screw	41		
			16	2183972	Hinge, Center	44	2302358	Cover, Unit Cabinet (Not a Serviceable Part)
			17	2183854	Shim, Hinge Center	45		
			20	2254473	Hinge Butt			

DOOR PARTS

For Models: ER2MHKXPL02
(Stainless-VCM)



FOR ORDERING INFORMATION REFER TO PARTS PRICE LIST

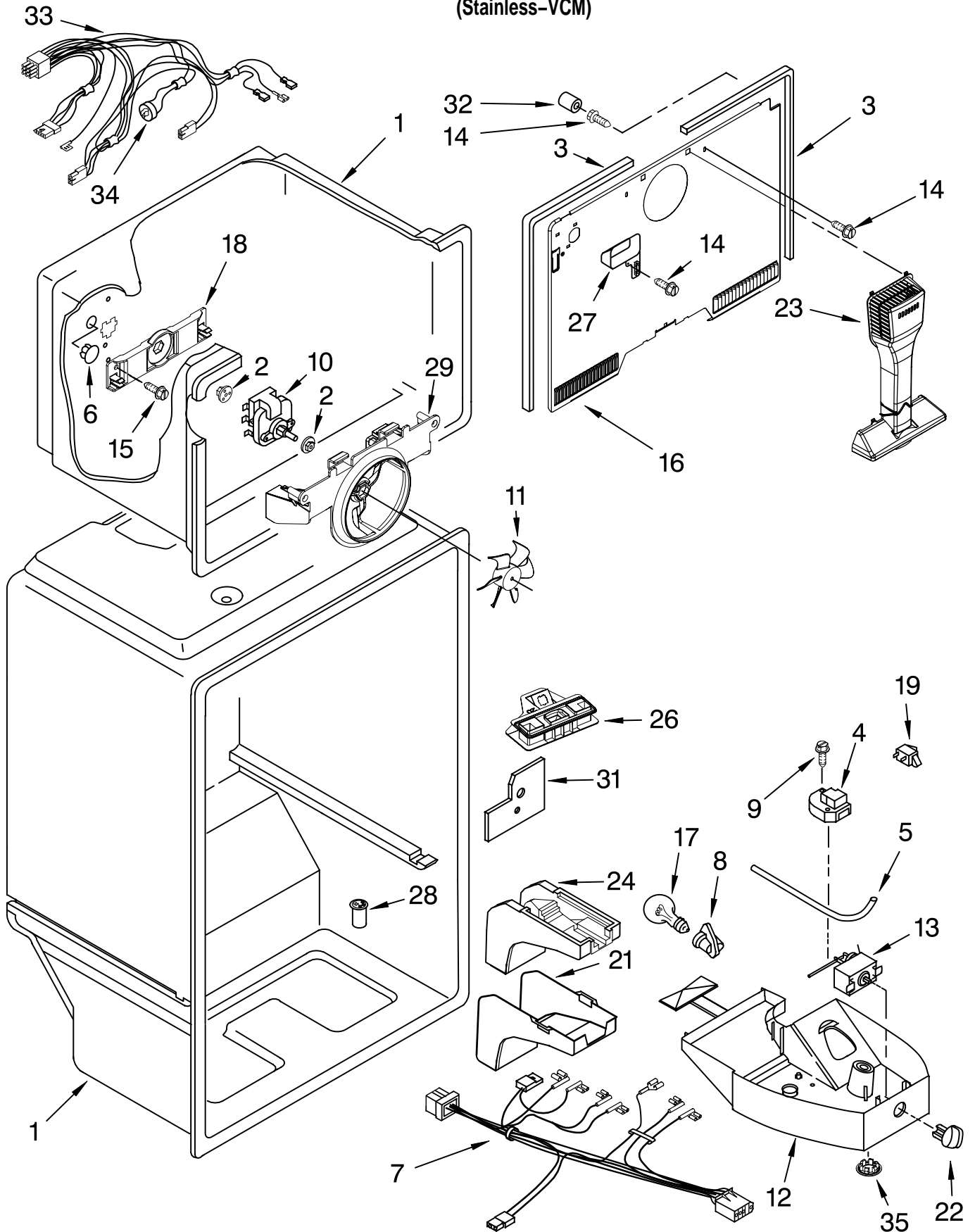
DOOR PARTS

For Models: ER2MHKXPL02
(Stainless-VCM)

Illus. No.	Part No.	DESCRIPTION
1	2218505	Refrigerator Door (Includes Illus. 9 & 22)
2	2195388	Tray, Door
3	2204840	Hole Plug, Endcap
5	2221644	Endcap, Handle (Refrigerator)
6	489276	Screw
9	2202882	Door Gasket, Magnetic
11	2210566	Housing Compartment
13	2262218	Nameplate
16	2159306	Trim, Door Shelf
19	2218508	Freezer Door (Includes Illus. 22 & 23)
22	2183003	Thimble
23	2214969	Door Gasket, Magnetic
25	2204813	Bin, Door Shelf
26	2189202	Bracket, Door Stop (2)
28	2212651	Hole Plug
29	2177340	Plug, Trim
30	2156006	Plug, Trim
31	2218109	Compartment Door
33	2225108	Endcap, Handle (Freezer)
37	2195947	Trim, Door (2)
41	2195916	Endcap, Trim (4)
42	2195948	Trim, Door

LINER PARTS

For Models: ER2MHKXPL02
(Stainless-VCM)



FOR ORDERING INFORMATION REFER TO PARTS PRICE LIST

LINER PARTS

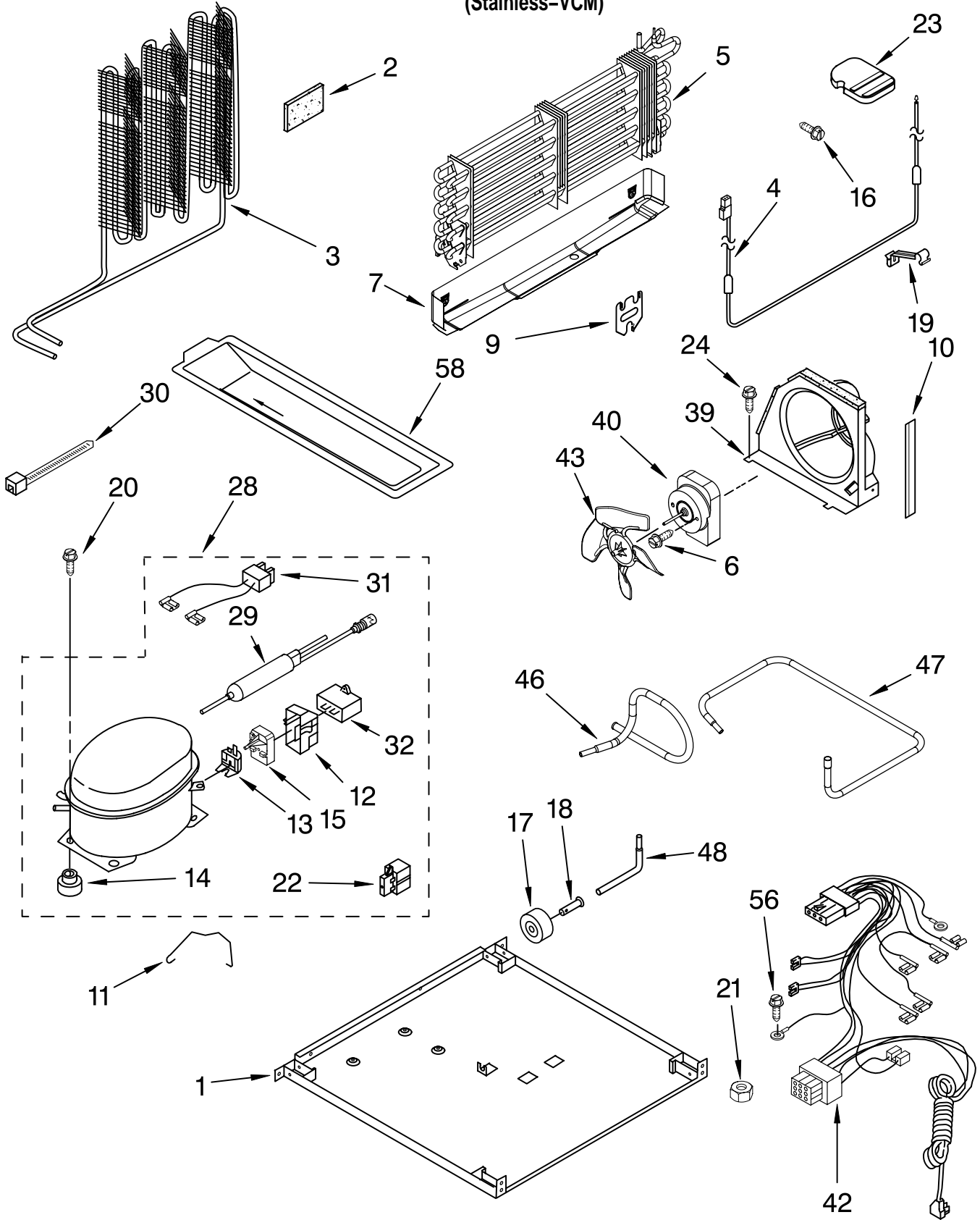
For Models: ER2MHKXPL02
(Stainless-VCM)

Illus. No.	Part No.	DESCRIPTION
1		Liner (Not a Serviceable Part)
2	2197380	Grommet (2)
3	2254360	Gasket, Evaporator Cover (2)
4	2314156	Defrost Timer
5	2204640	Thermostat, Tube Barrier
6	941839	Hole Plug
7	2187885	Wire Assembly Control Box
8	2162085	Socket, Light
9	98129	Screw (2)
10	2214986	Fan Motor
11	2163777	Fan Blade
12	2218381	Control Box
13	2225460	Thermostat
14	489478	Screw
15	488208	Screw
16	2254263	Cover, Evaporator
17	2160708	Light Bulb
18	2254454	Bracket Evap. Fan, Rear
19	1118894	Switch, Rocker Arm
21	2176281	Cover, Air Diffuser
22	2202885	Knob, Thermostat
23	2254354	Air Tower
24	2189452	Air Diffuser, Bottom
26	2212439	Air Separator Assembly
27	2205003	Cover, Hole
28	2171931	Valve-Tube, Body
29	2254453	Bracket, Fan Motor
31	2204639	Shield, Heat
32	487996	Cap
33	2310043	Wire Assembly Freezer Compartment (Includes Item 34)
34	2314158	Defrost, BI-Metal
35	940014	Hole Plug, Control Box

FOR ORDERING INFORMATION REFER TO PARTS PRICE LIST

UNIT PARTS

For Models: ER2MHKXPL02
(Stainless-VCM)



FOR ORDERING INFORMATION REFER TO PARTS PRICE LIST

UNIT PARTS

For Models: ER2MHKXPL02
(Stainless-VCM)

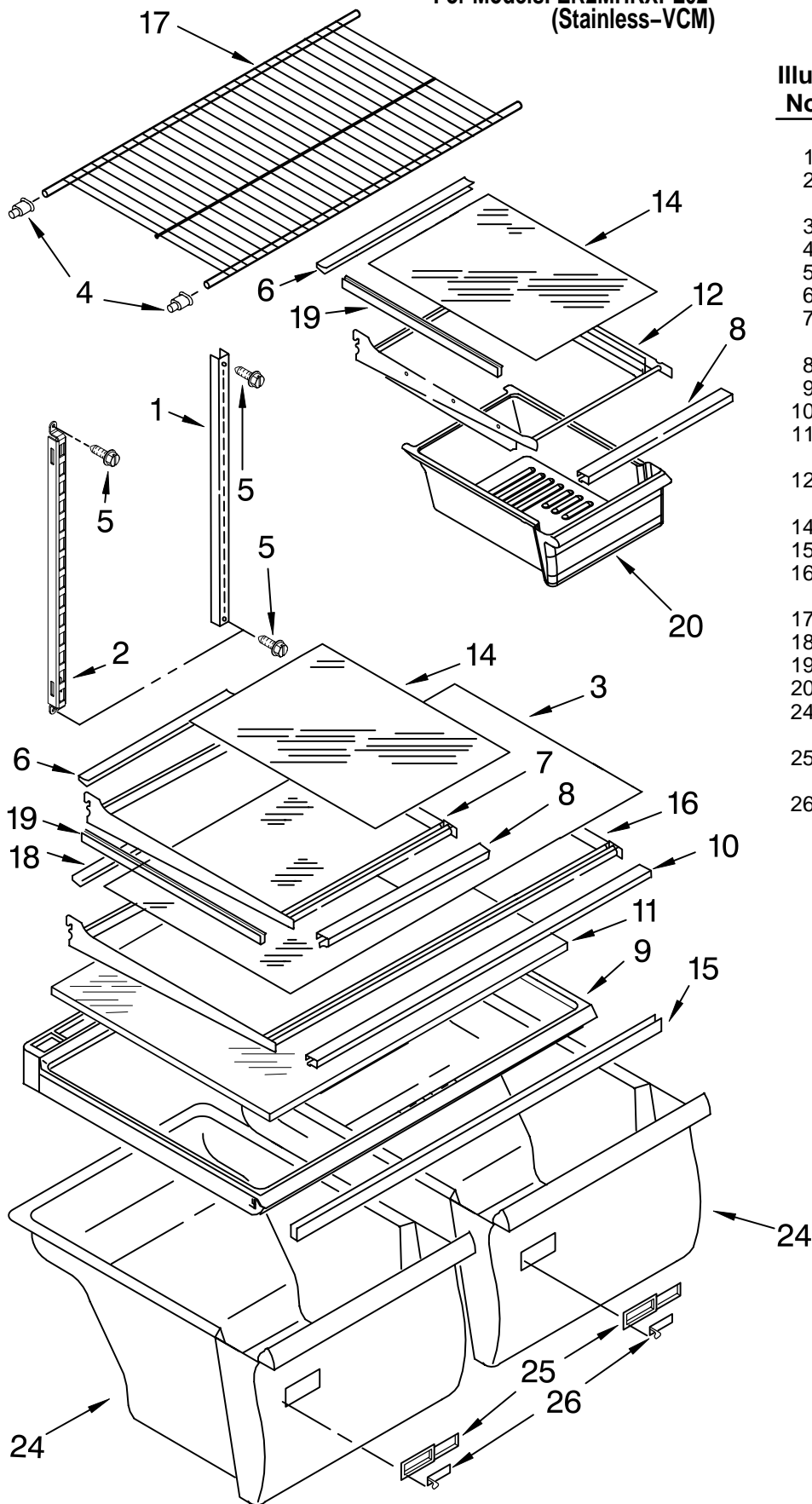
Illus. No.	Part No.	DESCRIPTION	Illus. No.	Part No.	DESCRIPTION	Illus. No.	Part No.	DESCRIPTION
1	2225596	Plate, Unit Mounting	16	489478	Screw	46	2225564	Tube, Discharge
2	2169104	Insulation, Sound Dampening	17	2150304	Roller (2)	47	2225565	Tube, Suction
3	2214960	Condenser	18	2221797	Rivet	48	2154109	Tube, Process
4	2314157	Heater, Defrost	19	2182338	Clip, Heater	56	488500	Screw
5	2221761	Evaporator Assy.	20	489373	Screw	58	2300635	Tray, Evaporator
6	8533859	Screw	21		Nut (Not Serviced)	Following Parts Not Illustrated and Optional Parts Not Included		
7	2254295	Drain Pan	22	2183454	Relay (Service Only)	978025		Valve, Access (1/4")
9	2176301	Bracket, Heater	23	2201185	Support Block	978026		Valve, Access (5/16")
10	2300638	Extension, Air Baffle	24	3400518	Screw	978027		Valve, Access (3/8")
11	2255113	Strap	28	2225833	Compressor (Includes Items 12,13,14,22,29, 31 & 32)	978028		Valve, Access (1/2")
12	4387731	Cover (Service Only)	29		Drier Production	978029		Valve, Access (5/8")
13	4390624	Overload (Service Only)		2199167	Service	978030		Valve, Access (3/4")
14		Grommet (4)	30	2155774	Clamp	876764		Valve, Access (3/16")
	1100826	Production	31	4387765	Wire Assembly (Service Only)	REFRIGERANT CHARGE		
	4387558	Service	32		Capacitor Production	4.00 Ozs.		
15	2225785	Start-Device Combination (Start Relay and Overload for Production Compressor Only)		2169373	Service	(R134A)		
			39	2302249	Air Baffle			
			40	2188874	Motor, Condenser			
			42	2187382	Wire Assy, Unit			
			43	2225834	Fan Blade			



FOR ORDERING INFORMATION REFER TO PARTS PRICE LIST

SHELF PARTS

For Models: ER2MHKXPL02
(Stainless-VCM)



Illus. No.	Part No.	DESCRIPTION
1	2210522	Shelf, Ladder (2)
2	2300520	Shelf, Ladder Center
3	2200988	Glass, Full Shelf
4	2163762	Cup, Shelf Mtg.
5	489478	Screw
6	2188687	Trim Shelf, Rear
7	2201102E	Shelf, Cantilever
8	2188685	Trim, Shelf Front
9	2210526	Crisper Cover
10	2188691	Trim Shelf, Front
11	2210573	Insert, Crisper Cover
12	2201106	Pan Shelf, Cantilever
14	2200987	Glass, Shelf
15	2163832	Crisper Support
16	2201104E	Shelf, Full Cantilever
17	2189454	Shelf, Freezer
18	2188689	Trim, Shelf Rear
19	2188711	Trim Shelf, Side
20	2218132K	Pan, Meat
24	2218141	Crisper Pan (Includes 25 & 26)
25	2212446	Body, Humidity Control
26	2176222	Slide, Humidity Control

FOR ORDERING INFORMATION REFER TO PARTS PRICE LIST

OPTIONAL PARTS

For Models: ER2MHKXPL02
(Stainless-VCM)

Illus. No.	Part No.	DESCRIPTION
Parts Not Illustrated and Optional Parts (Not Included)		
	978941	Insulation, Fiberglass (63-1/2" x 35-1/2" x 2-5/8")
	212643	Sealer, Gum (4 Feet)
	479502	Tape, Vinyl (3/4" x 108")
	876305	Kit, Insulation (14 Pcs. 3" x 24" x 48")
	876370	Kit, Insulation (2 Pcs. 3" x 24 " x 48")
	876029	Kit, Foam Slab (30" x 32-1/2" x 1-1/2")
	505587	Sealer, Mastic (1 Qt.)
	511873	Touch-Up, White Porcelain (2 Oz.)
	542638	Grease, Silicone (1/2 Oz.)
	542639	Cement, Alumilastic (1-1/4 Oz.)
	606755	Bag, Insulation (36-5/8" x 46")
	799833	Kit, Evaporator Repair (Aluminum Epoxy)
	799832	Kit, Porcelain Repair (White)
	503695	Cork Sealer (1/4 Pound)

Illus. No.	Part No.	DESCRIPTION
Customer Touch-Up Material		
	*350942	Primer, White (12 Oz. Spray Can)
	*350939	Enamel, Black (12 Oz. Spray Can)
	*350930	Enamel, White (12 Oz. Spray Can)
	*4392901	Enamel, Biscuit (12 Oz. Spray Can)
	72017	Brush Touch-Up Kit (White)
	72032	Brush Touch-Up Kit (Black)
	4392899	Brush Touch-Up Kit (Biscuit)
Refinishing Material		
	799340	Enamel, Black (1 Qt. Uncut)
	799344	Enamel, White (1 Qt. Uncut)
	4392900	Enamel, Biscuit (1 Qt. Uncut)
	833938	Kit, Terminal Connector
<p>*Important: The spray paint is not to be used where the paint may make contact with the door gaskets.</p>		

Illus. No.	Part No.	DESCRIPTION
ICE MAKER FIELD INSTALLABLE		
	2155469	ECKMF94
TORX SCREW WRENCH		
	1117510	Torx Key