



HOW TO MAKE A HOME RUN.™

**USE AND CARE GUIDE
GUIDE D'UTILISATION ET D'ENTRETIEN
MANUAL DE USO Y MANEJO**



**14' NO-FROST
TOP FREEZER REFRIGERATOR
RÉFRIGÉRATEUR-CONGÉLATEUR
SANS GIVRE DE 14 PI
REFRIGERADORES QUE NO HACEN
ESCARCHA DE 396 DM³ (14 PIES³)**

1/95

ENGLISH
FRANÇAIS
ESPAÑOL

Table of Contents

	Page		Page
A Note to You	1	Using the optional automatic ice maker	8
Refrigerator Safety	2	Attaching the ice maker to a water supply	9
Parts and Features	3	Changing the light bulb	11
Before Using Your Refrigerator	4	Understanding the sounds you may hear	12
Using Your Refrigerator	5	Saving energy	12
Setting the control	5	Reversing the door swing	12
Adjusting the refrigerator shelves	6	Caring for Your Refrigerator	13
Removing the meat drawer and cover	6	Food Storage Guide	15
Removing the crisper(s) and crisper cover	7	Troubleshooting	16
Removing the freezer shelf	7	Requesting Assistance or Service	17
Using the ice cube trays	8	Warranties	20

A Note to You

Thank you for buying a Whirlpool® appliance.

Because your life is getting busier and more complicated, Whirlpool Refrigerators are easy to use, save time, and help you manage your home better. To ensure you enjoy years of trouble-free operation, we developed this Use and Care Guide. It contains valuable information about how to operate and maintain your appliance properly and safely. Please read it carefully. Also, please complete and mail the Ownership Registration Card provided with your appliance. This card helps us notify you about any new information on your appliance.

Please record your model's information.

Whenever you call to request service on your appliance, you need to know your complete model number and serial number. You can find this information on the model and serial number label (see diagram on page 3 for location of label).

Please also record the purchase date of your appliance and your dealer's name, address, and telephone number.

Model Number _____

Serial Number _____

Purchase Date _____

Dealer Name _____

Dealer Phone _____

Keep this book and the sales slip together in a safe place for future reference.

Our Consumer Assistance Center number is toll-free from anywhere in the U.S.A. 24 hours a day.

1-800-253-1301

Refrigerator Safety

Your safety is important to us.

This guide contains statements under warning symbols. Please pay special attention to these symbols and follow any instructions given. Here is a brief explanation of the use of the warning symbol.

WARNING

This symbol alerts you to such dangers as personal injury, burns, fire, and electrical shock.

IMPORTANT SAFETY INSTRUCTIONS

WARNING

To reduce the risk of fire, electrical shock, or injury when using your refrigerator, follow these basic precautions:

- Read all instructions before using the refrigerator.
- Child entrapment and suffocation are not problems of the past. Junked or abandoned refrigerators are still dangerous ... even if they will "just sit in the garage a few days."
- Never allow children to operate, play with, or crawl inside the refrigerator.
- Never clean refrigerator parts with flammable fluids. The fumes can create a fire hazard or explosion.

If you are getting rid of your old refrigerator, do it safely. Please read the enclosed safety booklet from the Association of Home Appliance Manufacturers. Help prevent accidents.

• FOR YOUR SAFETY •

DO NOT STORE OR USE GASOLINE OR OTHER FLAMMABLE VAPORS AND LIQUIDS IN THE VICINITY OF THIS OR ANY OTHER APPLIANCE. THE FUMES CAN CREATE A FIRE HAZARD OR EXPLOSION.

– SAVE THESE INSTRUCTIONS –

Help us help you

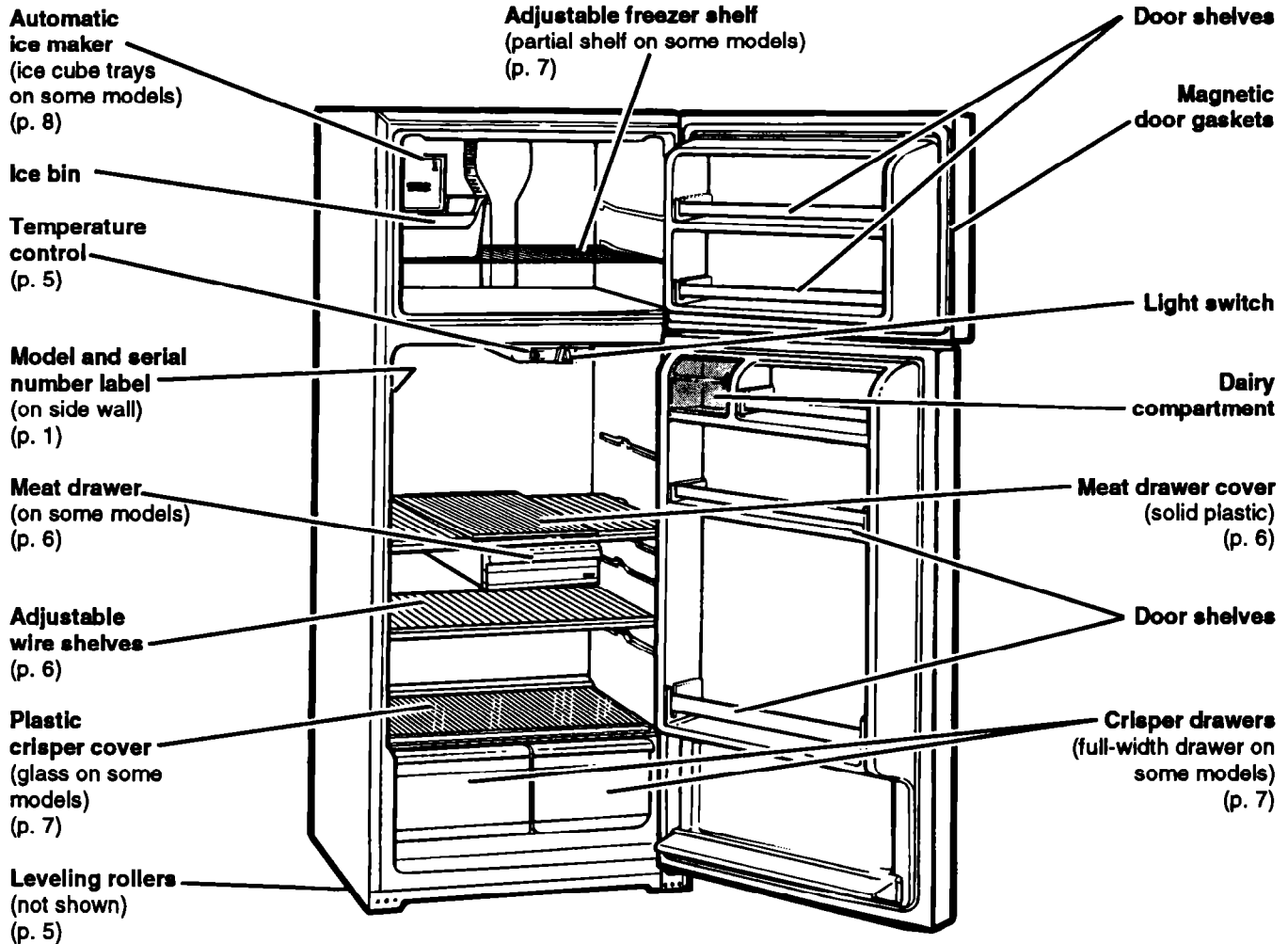
Please:

- Install and level the refrigerator on a floor that will hold the weight and in an area suitable for its size and use.
- Do not install the refrigerator near an oven, radiator, or other heat source.
- Do not use the refrigerator in an area where the room temperature will fall below 55°F (13°C).
- Keep the refrigerator out of the weather.
- Connect the refrigerator only to the proper kind of outlet, with the correct electrical supply and grounding. (Refer to the Electrical Requirements and Grounding Instructions Sheet.)
- Do not load the refrigerator with food before it has time to get properly cold.
- Use the refrigerator only for the uses described in this manual.
- Properly maintain the refrigerator.
- Be sure the refrigerator is not used by anyone unable to operate it properly.

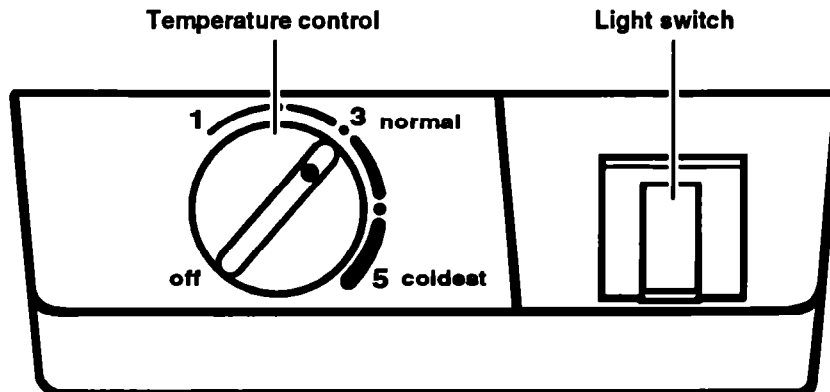
Parts and Features

This section contains captioned illustrations of your appliance. Use them to become familiar with where all parts and features are located and what they look like. Page references are included for your convenience.

NOTE: Your model may have all or some of the parts and features shown, and they may not match the illustration exactly. This manual covers several models.



Control Panel



Before Using Your Refrigerator

It is important to prepare your refrigerator for use. This section tells you how to clean it, connect it to a power source, install it, and level it.

Cleaning your refrigerator

Removing packaging materials

Remove tape and any inside labels (except the model and serial number label) before using the refrigerator.

To remove any remaining tape or label glue:

- Rub briskly with thumb.

OR

- Apply liquid hand-dishwashing detergent to area before removing glue as described above. Do not use sharp instruments, rubbing alcohol, flammable fluids, or abrasive cleaners. These can damage the material. See "Important Safety Instructions" on page 2.

NOTE: Do not remove any permanent instruction labels inside your refrigerator. Do not remove the Tech Sheet fastened under the refrigerator at the front.

Cleaning it before use

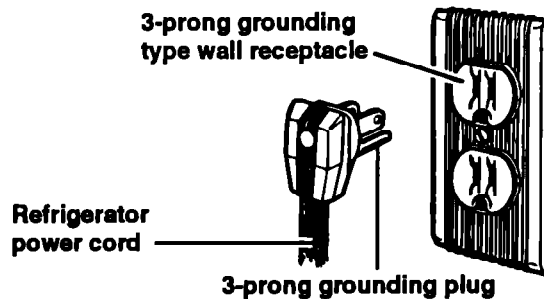
After removing all packaging materials, clean your refrigerator before using it, if necessary. See cleaning instructions on page 13.



Plugging it in

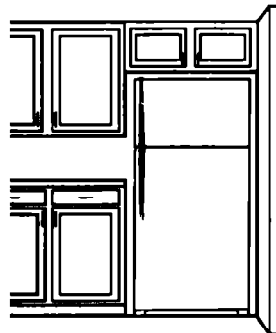
Recommended Grounding Method

A 115 Volt, 60 Hz., AC only 15 or 20 ampere fused and properly grounded electrical supply is required. It is recommended that a separate circuit serving only this appliance be provided. Use a receptacle which cannot be turned off with a switch or pull chain. Do not use an extension cord. See Electrical Requirements and Grounding Instructions Sheet in your Literature Package.



Installing it properly

1. Allow ½ inch (1.25 cm) space on each side and 3 inches (7.6 cm) at the top of the refrigerator for ease of installation and proper air circulation.
2. If the hinge side of the refrigerator is to be against a wall, you might want to leave extra space so the door can be opened wider.
3. Allow at least 1 inch (2.5 cm) between the refrigerator condenser on the back and the wall.
4. Level your refrigerator.



Leveling it

Your refrigerator has 2 front, adjustable rollers to prevent rocking on uneven floors.

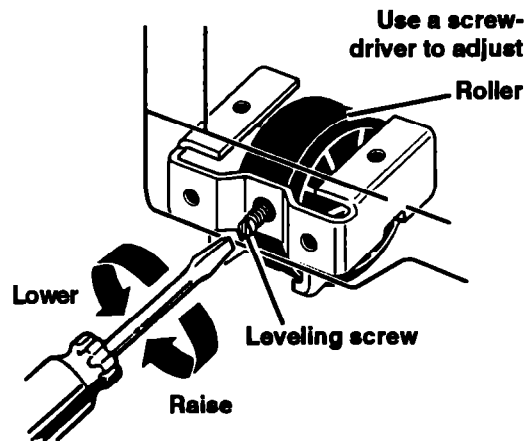
To adjust rollers:

1. Roll refrigerator into position.
2. Adjust rollers by turning the leveling screws located at the front of the base.
 - Turn clockwise to raise.
 - Turn counterclockwise to lower.

NOTE: Rollers are adjusted correctly when the refrigerator no longer rocks when the doors are opened or closed.

3. Repeat this procedure whenever the refrigerator is moved.

NOTE: If you want the doors to close easier, use the rollers to raise the front of the refrigerator slightly.



Using Your Refrigerator

To obtain the best possible results from your refrigerator, it is important that you operate it properly. This section tells you how to set the control, remove, and adjust the features in your refrigerator, and how to save energy.

Setting the control

The control for the refrigerator and freezer is in the refrigerator. When you plug in the refrigerator for the first time:

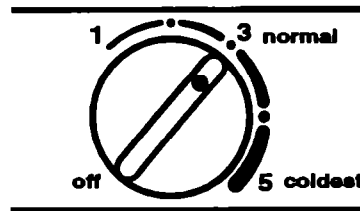
- **Set the Temperature Control to 3 (normal).** Temperature Control adjustments range from 1 (warmest) to 5 (coldest).

NOTE: Turning the Temperature Control to OFF stops cooling in both the refrigerator and freezer compartments, but it does not disconnect the refrigerator from the power supply.

Give the refrigerator time to cool down completely before adding food. This could take several hours.

The setting indicated above should be correct for normal household refrigerator usage. The control is set correctly when milk or juice is as cold as you like and when ice cream is firm.

NOTE: The built-in exterior moisture control continuously guards against moisture buildup on the outside of the refrigerator cabinet.



Adjusting the refrigerator shelves

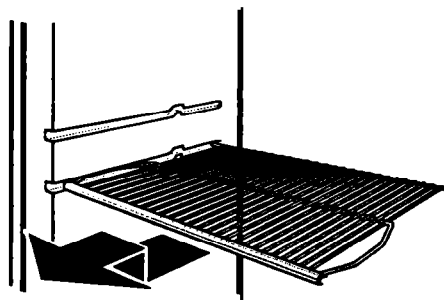
Adjust the refrigerator shelves to match the way you use your refrigerator.

To remove the shelves:

1. Remove items from the shelf.
2. Slide shelf straight out to the stop.
3. Lift back of shelf over stop.
4. Slide shelf out the rest of the way.

To replace the shelves:

1. Slide back of shelf into shelf track in wall of cabinet.
2. Guide front of shelf into shelf track.
3. Slide shelf in all the way.



Removing the meat drawer and cover

(on some models)

To remove the meat drawer:

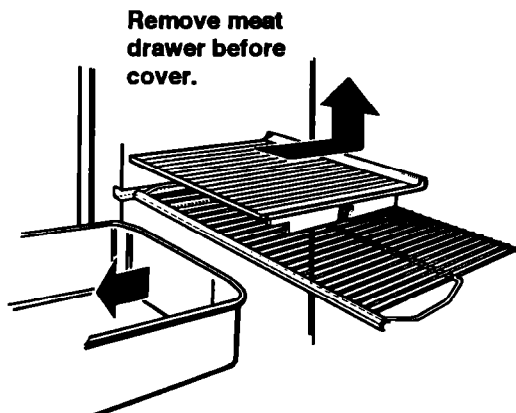
1. Slide meat drawer out to the stop.
2. Lift front of meat drawer.
3. Slide meat drawer out the rest of the way.
4. Replace in reverse order.

To remove the cover:

1. Remove meat drawer.
2. Push cover back to release rear clips from shelf.
3. Tilt cover up at front.
4. Pull cover forward and out.

To replace the cover:

1. Fit notches and clips on underside of cover over rear and center cross bars on shelf.
2. Lower cover into place.
3. Pull cover forward to secure rear clips onto shelf.
4. Replace meat drawer.



Removing the crisper(s) and crisper cover

To remove the crisper(s):

1. Slide crisper(s) straight out to the stop.
2. Lift the front.
3. Slide out the rest of the way.
4. Replace in reverse order.

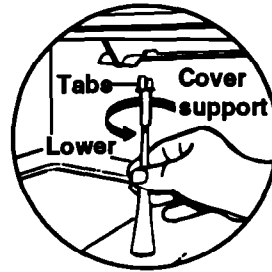
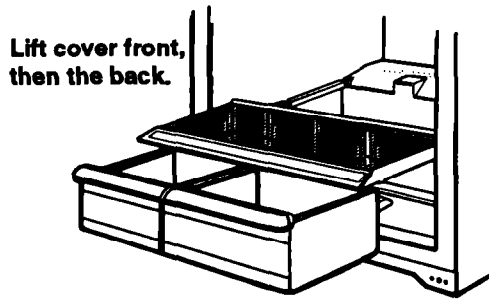
To remove the cover:

1. Lift cover front and remove the cover support.
2. Lift cover up and slide out.

To replace the cover:

1. Fit cover tabs into lowest cabinet slots and push in. Lower the front retainers into place.
2. Insert cover support (with the long tab toward the front) into the groove on the underside of the cover.

NOTE: If the support needs adjustment, turn base clockwise to raise or counterclockwise to lower.



Removing the freezer shelf

(on some models)

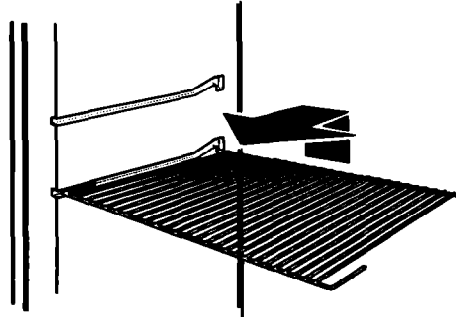
Remove the freezer shelf for easier cleaning.

To remove the shelf:

1. Remove items from the shelf.
2. Lift back of shelf over stop.
3. Slide shelf straight out.

To replace the shelf:

1. Slide back of shelf into shelf tracks on walls of cabinet.
2. Slide shelf in all the way.

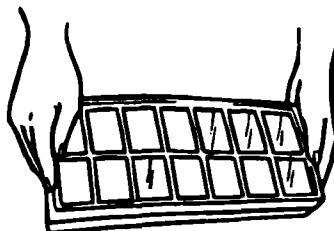


Using the ice cube trays

If cubes are not used, they may shrink. The moving cold air starts a slow evaporation. The longer you store cubes, the smaller they get.

To remove ice:

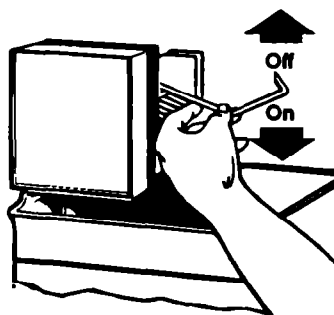
1. Hold tray at both ends.
2. Twist slightly.



Using the optional automatic ice maker

If your refrigerator has an automatic ice maker, or if you plan to add one later (contact the dealer for ice maker kit number), here are a few things you should know.

- The ON/OFF lever is a wire signal arm.
DOWN to make ice automatically
UP to shut off the ice maker
- IMPORTANT:** Do not turn ice maker on until you connect it to the water supply.
- If you remove the ice bin, raise the signal arm to shut off the ice maker. When you replace the bin, push it in all the way and lower the ice maker signal arm to the ON position.
- Good water quality is important for good ice quality. Try to avoid connecting the ice maker to a softened water supply. Water softener chemicals (such as salt from a malfunctioning softener) can damage the ice maker mold and lead to poor ice quality. If you cannot avoid a softened water supply, make sure the water softener is operating properly and is well maintained.



UP
to stop
ice maker.

DOWN
to start
ice maker.

Solving common ice maker problems

PROBLEM	POSSIBLE CAUSE/SOLUTION
Ice crescents attached at corners	• This is normal. They break apart easily. Shake bin occasionally to keep cubes separated.
Ice maker will not operate or ice is not made fast enough	• ON/OFF lever is in the OFF (up) position. Lower lever to the ON (down) position. • Freezer is not cold enough. Adjust temperature controls and wait 24 hours. (See "Setting the control" on page 5.)
Off-taste or odor in ice	• New plumbing connections can cause discolored or off-flavored ice. Discard the first few batches of ice. • Cubes are stored too long. Throw them away and make a new supply. • Food is not wrapped properly. See page 15. • Freezer and ice bin need to be cleaned. See page 13.

Attaching the ice maker to a water supply

Read all directions carefully before you begin.

⚠ WARNING

Electrical Shock Hazard

- Disconnect electrical supply to refrigerator before installing.
- Electrical drill must be grounded before drilling holes in water line.

Failure to do so could result in electrical shock, serious injury, or death.

IMPORTANT:

- Use copper tubing only and check for leaks.
- Install ice maker tubing in areas where temperatures are above freezing.

Tools required:

- Standard screwdriver
- 7/16-inch and 1/2-inch open-end wrenches or 2 adjustable wrenches
- 1/4-inch nut driver
- 1/4-inch drill bit
- Hand drill or electric drill (properly grounded)

NOTE: Your nearest appliance dealer has a kit available with a 1/4-inch saddle type shut-off valve, a union, and copper tubing. Before purchasing, make sure a saddle type valve complies with your local plumbing codes. Do not use piercing type or 3/16-inch saddle valve which reduces water flow and clogs more easily.

Cold water supply

Ice maker water valve contains a flow washer which is used as a water pressure regulator. The ice maker needs to be connected to a cold water line with water pressure limitations of 20-120 psi. If a problem occurs, call your utility company.

IMPORTANT:

- It may take up to 24 hours for your ice maker to begin producing ice.
- If operating the refrigerator before installing the water connection, turn ice maker to the OFF position to prevent operation without water.
- All installations must be in accordance with local plumbing code requirements.

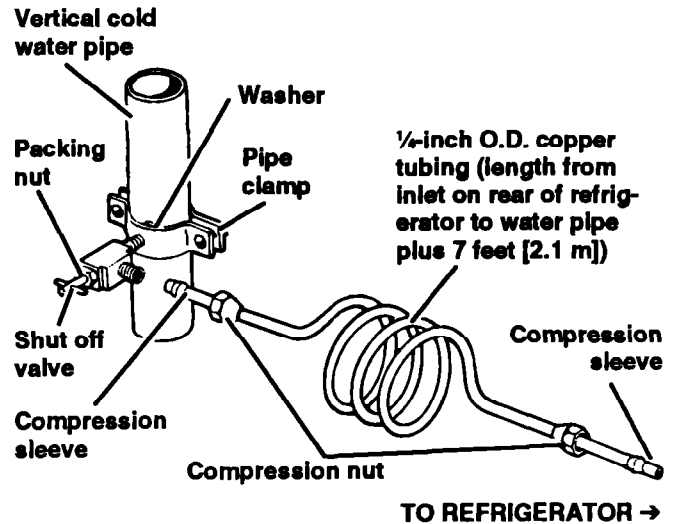
**INSTALLATION IS NOT WARRANTED
BY REFRIGERATOR OR ICE MAKER
MANUFACTURER.**

Connecting to water line

1. Find a 1/2-inch to 1 1/4-inch vertical COLD water pipe near the refrigerator.

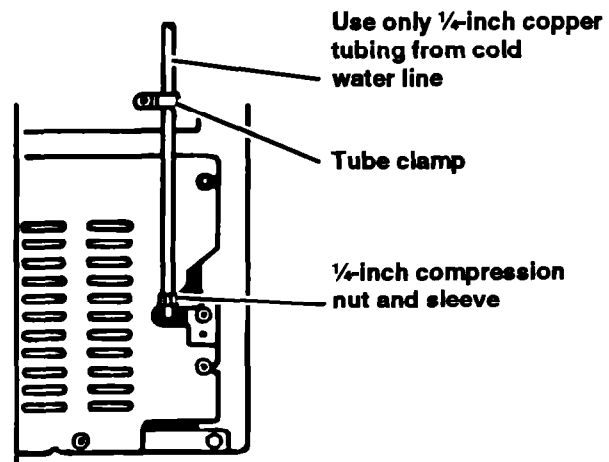
NOTE: Horizontal pipe will work, but the following precaution must be taken: Drill on the top side of the pipe, not the bottom. This will help keep water away from the drill. This also keeps normal sediment from collecting in the valve.

2. Measure from connection on rear of refrigerator to water pipe. Add 7 feet (2.1 m) to allow for moving refrigerator for cleaning. This is the length of 1/4-inch O.D. copper tubing you will need for the job (length from connection to water pipe PLUS 7 feet [2.1 m]). Be sure both ends of copper tubing are cut square.
3. Turn OFF main water supply. Turn ON nearest faucet long enough to clear line of water.
4. Using a grounded drill, drill a 1/4-inch hole on the cold water pipe you have selected.
5. Fasten shut-off valve to cold water pipe with pipe clamp. Be sure outlet end is solidly in the 1/4-inch drilled hole in the water pipe and that washer is under the pipe clamp. Tighten packing nut. Tighten the pipe clamp screws carefully and evenly so washer makes a watertight seal. Do not overtighten or you may crush the copper tubing, especially if soft (coiled) copper tubing is used. Now you are ready to connect the copper tubing.
6. Slip compression sleeve and compression nut on copper tubing as shown in diagram. Insert end of tubing into outlet end squarely as far as it will go. Screw compression nut onto outlet end with adjustable wrench. Do not overtighten. Turn ON main water supply and flush out tubing until water is clear. Turn OFF shut-off valve on the water pipe. Coil the copper tubing.



Connecting to refrigerator

1. (On kit models, assemble water valve to refrigerator per kit instructions.) Route the copper tubing through the tube clamp provided as shown at left. Connect the 1/4-inch copper tube from the shut-off valve to the water valve at the lower, left rear of cabinet. Use a compression nut and sleeve as shown at left. Tighten the compression nut. Do not overtighten.
2. Turn shut-off valve ON. **CHECK FOR LEAKS. TIGHTEN ANY CONNECTIONS (INCLUDING CONNECTIONS AT THE VALVE) OR NUTS THAT LEAK.**
3. The ice maker is equipped with a built-in water strainer. If local water conditions require periodic cleaning or a well is your source of water supply, a second water strainer should be installed in the 1/4-inch water line. Obtain a water strainer from your nearest appliance dealer. Install at either tube connection.
4. Reconnect electrical supply to refrigerator.



Changing the light bulb

⚠ WARNING

Electrical Shock Hazard

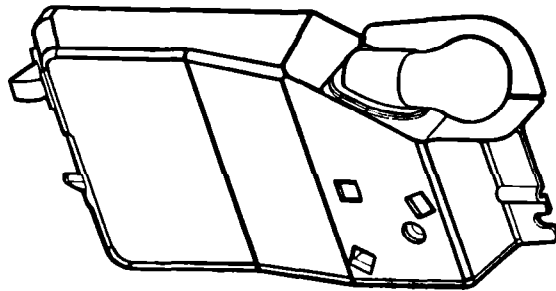
Before removing a light bulb or removing a light shield for cleaning, either unplug the refrigerator or disconnect the electricity leading to it at the main power supply.

Failure to do so could result in electrical shock.

To change refrigerator light:

1. Disconnect refrigerator from power supply.
2. Reach behind Control Panel to remove bulb.
3. Replace with a 40-watt appliance bulb.
4. Reconnect refrigerator to power supply.

NOTE: Not all appliance bulbs will fit your refrigerator. Be sure to replace a bulb with one of the same size and shape.



Understanding the sounds you may hear

Your new refrigerator may make sounds that your old one didn't. Because the sounds are new to you, you might be concerned about them. Don't be. Most of the new sounds are normal. Hard surfaces like the floor, walls, and cabinets can make the sounds seem louder. The following describes the kinds of sounds that might be new to you, and what may be making them.

Slight hum, soft hiss

You may hear the refrigerator's fan motor and moving air.

Clicking or snapping sounds

The thermostat makes a definite click when the refrigerator stops running. It also makes a sound when the refrigerator starts. The defrost timer will click when the defrost cycle starts.

Water sounds

When the refrigerator stops running, you may hear gurgling in the tubing for a few minutes after it stops. You may also hear defrost water running into the defrost water pan.

Ice maker sounds

- trickling water
- thud (clatter of ice)

You may hear buzzing (from the water valve), trickling water, and the clatter of ice dumped into the bin.

Running sounds

Your refrigerator has a high-efficiency compressor and motor. It will run longer than older designs. It may even seem to run most of the time.

Saving energy

You can help your refrigerator use less electricity.

- Check door gaskets for a tight seal. Level the cabinet to be sure of a good seal.
- Clean the condenser coils regularly.
- Open the door as few times as possible. Think about what you need before you open the door. Get everything out at one time. Keep food organized so you won't have to search for what you want. Close door as soon as food is removed.

- Go ahead and fill up the refrigerator, but don't overcrowd it so air movement is blocked.
- It is a waste of electricity to set the refrigerator and freezer to temperatures colder than they need to be. If ice cream is firm in the freezer and drinks are as cold as your family likes them, that's cold enough.
- Make sure your refrigerator is not next to a heat source such as a range, water heater, furnace, radiator, or in direct sunlight.

Reversing the door swing

The doors on your refrigerator are reversible. If you need to reverse the door swing, refer to the instruction sheet included with your refrigerator.

Caring for Your Refrigerator

Your refrigerator is built to give you many years of dependable service. However, there are a few things you can do to help extend its product life. This section tells you how to clean your refrigerator and what to do when going on vacation, moving, or during a power outage.

Cleaning your refrigerator

Both the refrigerator and freezer sections defrost automatically. However, clean both about once a month to help prevent odors from building up. Wipe up spills right away.



To clean your refrigerator, unplug it, take out all removable parts, and clean the refrigerator according to the following directions.

⚠ WARNING

Personal Injury Hazard

Refrigeration system tubes are near the defrost pan and can become hot. Remove and install defrost pan carefully.

Failure to do so could result in personal injury.

PART	WHAT TO USE	HOW TO CLEAN
Removable parts (shelves, crisper, etc.)	Sponge or cloth with mild detergent and warm water	<ul style="list-style-type: none"> • Hand wash, rinse, and dry thoroughly.
Outside	Sponge, cloth, or paper towel with mild detergent, warm water, and a good appliance wax (or good auto paste wax)	<ul style="list-style-type: none"> • Wash outside of cabinet. Do not use abrasive or harsh cleaners. • Wipe and dry thoroughly. • Wax painted metal surfaces at least twice a year. Apply wax with a clean, soft cloth. Waxing painted metal surfaces provides rust protection. Do not wax plastic parts.
Inside walls (allow freezer to warm up so cloth won't stick)	Sponge, soft cloth, or paper towel with baking soda or mild detergent and warm water	<ul style="list-style-type: none"> • Wash with mixture of warm water and: <ul style="list-style-type: none"> – mild detergent, or – baking soda (2 tbs to 1 qt [26 g to .95 L] of water). • Wipe and dry thoroughly.
Door liners and gaskets	Sponge, soft cloth, or paper towel with mild detergent and warm water	<ul style="list-style-type: none"> • Wash, wipe, and dry thoroughly. <p>DO NOT USE cleaning waxes, concentrated detergents, bleaches, or cleaners containing petroleum on plastic parts.</p>
Plastic parts (covers and panels)	Soft, clean sponge or soft, clean cloth with mild detergent and warm water	<ul style="list-style-type: none"> • Wash, rinse or wipe, and dry thoroughly. <p>DO NOT USE paper towels, window sprays, scouring cleansers, or flammable fluids. These can scratch or damage material. See "Important Safety Instructions" on page 2.</p>
Defrost pan (on back of cabinet, above motor)	Sponge or cloth with mild detergent and warm water	<ul style="list-style-type: none"> • Roll refrigerator out away from the wall. • Wash, rinse, and dry thoroughly. Do not remove defrost pan to clean it. • Roll refrigerator back into place. Make sure to leave 1 inch (2.5 cm) between cabinet back and the wall. • Check to see if the refrigerator is level.
Condenser coils	Vacuum cleaner with extended narrow attachment	<ul style="list-style-type: none"> • Roll refrigerator out away from the wall. • Vacuum coils when dusty or dirty. Coils may need to be cleaned as often as every other month. • Roll refrigerator back into place. Make sure to leave 1 inch (2.5 cm) between cabinet back and the wall. • Check to see if the refrigerator is level.

Vacation and moving care

Short vacations

No need to shut off the refrigerator if you will be away for less than four weeks.

1. Use up any perishables.
2. Freeze other items.
3. If your refrigerator has an automatic ice maker:
 - Raise signal arm to OFF (up) position.
 - Shut off water supply to the ice maker.

Long vacations

If you will be gone a month or more:

1. Remove all food from the refrigerator.
2. If your refrigerator has an automatic ice maker:
 - Turn off the water supply to the ice maker at least one day ahead of time.
 - When the last load of ice drops, turn off the ice maker. Make sure all ice is dispensed out of the ice maker mechanism.
3. Unplug the refrigerator.
4. Clean it, rinse well, and dry.
5. Tape rubber or wood blocks to the tops of both doors to prop them open far enough for air to get in. This stops odor and mold from building up.

⚠ WARNING

Personal Injury Hazard

Do not allow children to climb on, play near, or climb inside the refrigerator when the doors are blocked open.

They may become injured or trapped.

To restart refrigerator, see page 5.

Power interruptions

If electricity goes off, call the power company. Ask how long power will be off.

1. If service will be interrupted 24 hours or less, **keep both doors closed**. This helps food stay frozen.
2. If service will be interrupted longer than 24 hours:
 - (a) Remove all frozen food and store in a frozen food locker.

OR

 - (b) Place 2 lbs. (900 g) of dry ice in freezer for every cubic foot (liter) of freezer space. This will keep food frozen for 2 to 4 days. Wear gloves to protect your hands from dry ice burns.

OR

 - (c) If neither a food locker or dry ice is available, use or can perishable food at once.

Moving

When you are moving the refrigerator to a new home:

1. If your refrigerator has an automatic ice maker:
 - Turn off the water supply to the ice maker at least one day ahead of time.
 - Disconnect the water line.
 - After the last load of ice drops, lift the signal arm to the OFF (up) position.
2. Remove all food from the refrigerator.
3. Pack all frozen food in dry ice.
4. Unplug the refrigerator.
5. Clean it thoroughly. Wipe well and dry.
6. Take out all removable parts, wrap them well, and tape them together so they don't shift and rattle.
7. Screw in the leveling rollers.
8. Tape the doors shut and tape the power supply cord to the cabinet.

When you get to your new home, put everything back and refer to page 4. Also, if your refrigerator has an automatic ice maker, remember to reconnect the water supply line.

3. A full freezer stays cold longer than a partly filled one. A freezer full of meat stays cold longer than a freezer full of baked goods. If food contains ice crystals, it may be safely refrozen, although the quality and flavor may be affected. If the condition of the food is poor, or if you feel it is unsafe, dispose of it.

Questions?

Call our Consumer Assistance Center telephone number, 1-800-253-1301, from anywhere in the U.S.A.

Food Storage Guide

There is a correct way to package and store refrigerated or frozen food. To keep food fresher, longer, take the time to study these recommended steps.

Storing fresh food

Wrap or store food in the refrigerator in airtight and moisture-proof material. This prevents food odor and taste transfer throughout the refrigerator. For dated products, check code date to ensure freshness.

Leafy vegetables

Remove store wrapping and trim or tear off bruised and discolored areas. Wash in cold water and drain. Place in plastic bag or plastic container and store in crisper.

Vegetables with skins (carrots, peppers)

Store in crisper, plastic bags, or plastic container.

Fruit

Wash, let dry, and store in refrigerator in plastic bags or crisper. Do not wash or hull berries until they are ready to use. Sort and keep berries in original container in a crisper, or store in a loosely closed paper bag on a refrigerator shelf.

Eggs

Store without washing in original carton on interior shelf. On some models, an egg storage container is provided for your convenience.

Milk

Wipe milk cartons. For best storage, place milk on interior shelf.

Butter or margarine

Keep opened butter in covered dish or closed compartment. When storing an extra supply, wrap in freezer packaging and freeze.

Cheese

Store in the original wrapping until you are ready to use it. Once opened, rewrap tightly in plastic wrap or aluminum foil.

Leftovers

Cover leftovers with plastic wrap or aluminum foil. Plastic containers with tight lids can also be used.

Meat

Store most meat in original wrapping as long as it is airtight and moisture-proof. Rewrap if necessary. See the following for storage times. When storing meat longer than the times given, freeze the meat.

Chicken	1-2 days	Bacon	5-7 days
Ground beef	1-2 days	Cold cuts	3-5 days
Steaks/roasts	3-5 days	Variety meats	1-2 days
Cured meats ...	7-10 days		

NOTE: Use fresh fish and shellfish the same day as purchased.

Storing frozen food

The freezer section is designed for storage of commercially frozen food and for freezing food at home.

NOTE: For further information about preparing food for freezing or food storage times, check a freezer guide or reliable cookbook.

Packaging

The secret of successful freezing is in the packaging. The way you close and seal the package must not allow air or moisture in or out. Packaging done in any other way could cause food odor and taste transfer throughout the refrigerator and drying of frozen food.

Packaging recommended for use:

- Rigid plastic containers with tight-fitting lids
- Straight-sided canning/freezing jars
- Heavy-duty aluminum foil
- Plastic-coated paper
- Non-permeable plastic wraps (made from saran film)

Follow package or container instructions for proper freezing methods.

Do not use:

- Bread wrappers
- Non-polyethylene plastic containers
- Containers without tight lids
- Wax paper
- Wax-coated freezer wrap
- Thin, semi-permeable wrap

The use of these wrappings could cause food odor, taste transfer, and drying of frozen food.

Freezing

Do not expect your freezer to quick-freeze any large quantity of food. Put no more unfrozen food into the freezer than will freeze within 24 hours (no more than 2-3 lbs. of food per cubic foot [900-1,350 g per liter] of freezer space). Leave enough space for air to circulate around packages. Be careful to leave enough room at the front so the door can close tightly.

Storage times will vary according to the quality of the food, the type of packaging or wrap used (airtight and moisture-proof), and the storage temperature, which should be 0°F (-17.8°C).

Troubleshooting

Performance problems often result from little things you can fix without tools. Please read through “Before calling for assistance ...” below before calling for service on your appliance.

Before calling for assistance ...

Listed in this chart are the most common problems consumers run into with their appliances. Please read through this and see if it can solve your problem.

PROBLEM	CHECK THE FOLLOWING
Your refrigerator will not operate	<p>Is the power supply cord firmly plugged into a live circuit with proper voltage?</p> <p>Has a household fuse or circuit breaker blown/tripped?</p> <p>Is the Refrigerator Control set to the OFF position?</p>
The lights do not work	<p>Is the power supply cord firmly plugged into a live circuit with proper voltage?</p> <p>Has a household fuse or circuit breaker blown/tripped?</p> <p>Is a bulb burned out?</p>
The optional ice maker does not work	<p>Is the freezer cold enough to make ice? It could take overnight for the freezer to reach the proper temperature.</p> <p>Is the ON/OFF lever in the ON (down) position? (See page 8.)</p> <p>Is the water valve turned on?</p> <p>Does the water line have a clog or leak?</p>
Unfamiliar sounds or a rattling/jingling noise	<p>Is something on top of or behind the refrigerator?</p> <p>Some new sounds are normal. See “Understanding the sounds you may hear” on page 12.</p>
There is water in the defrost pan	<p>This is normal on hot, muggy days. Make sure the refrigerator is level so the pan does not overflow.</p>
The motor seems to run too much	<p>Are the condenser coils dirty?</p> <p>Has the door been opened often? Has a large amount of food been added at one time? The motor naturally runs longer if these things happen.</p> <p>Is the room hot? If the room is too warm, the motor runs longer to keep the unit cool.</p>

Requesting Assistance or Service

Before calling for assistance or service, please check "Troubleshooting" on page 16. It may save you the cost of a service call. If you still need help, follow the instructions below.

For assistance or service in the U.S.A.:

1. If you need assistance* ...

Call Whirlpool Consumer Assistance Center telephone number. Dial toll-free from anywhere in the U.S.A.:

1-800-253-1301

and talk with one of our trained consultants.

The consultant can instruct you in how to obtain satisfactory operation from your appliance or, if service is necessary, recommend a qualified service company in your area.

If you prefer, write to:

Mr. William Clark
Consumer Assistance Representative
Whirlpool Corporation
2000 North M-63
Benton Harbor, MI 49022-2692

Please include a daytime phone number in your correspondence.

2. If you need service* ...

Whirlpool has a nationwide network of authorized Whirlpool service companies. Whirlpool service technicians are trained to fulfill the product warranty and provide after-warranty service, anywhere in the United States. To locate the authorized Whirlpool service company in your area, call our Consumer Assistance Center telephone number (see Step 1) or look in your telephone directory Yellow Pages under:

•APPLIANCE-HOUSEHOLD-
MAJOR, SERVICE & REPAIR

- See: Whirlpool Appliances or
Authorized Whirlpool Service
(Example: XYZ Service Co.)

•WASHING MACHINES &
DRYERS, SERVICE & REPAIR

- See: Whirlpool Appliances or
Authorized Whirlpool Service
(Example: XYZ Service Co.)



3. If you need FSP® replacement parts ...

FSP is a registered trademark of Whirlpool Corporation for quality parts. Look for this symbol of quality whenever you need a replacement part for your Whirlpool® appliance. FSP replacement parts will fit right and work right, because they are made to the same exacting specifications used to build every new Whirlpool appliance.

To locate FSP replacement parts in your area, refer to Step 2 or call the Whirlpool Consumer Assistance Center number in Step 1.

4. If you are not satisfied with how the problem was solved ...

- Contact the Major Appliance Consumer Action Panel (MACAP). MACAP is a group of independent consumer experts that voices consumer views at the highest levels of the major appliance industry.
- Contact MACAP only when the dealer, authorized servicer, and Whirlpool have failed to resolve your problem.

Major Appliance Consumer Action Panel
20 North Wacker Drive
Chicago, IL 60606

- MACAP will in turn inform us of your action.

*When asking for help or service:

Please provide a detailed description of the problem, your appliance's complete model and serial numbers, and the purchase date. (See page 1.) This information will help us respond properly to your request.

For assistance or service in Canada:

1. If the problem is not due to one of the items listed in "Troubleshooting"...

Contact the dealer from whom you purchased your appliance, or your nearest Inglis Limited Appliance Service Branch. Please include a daytime phone number in your correspondence.



2. If you need service...

Contact your nearest Inglis Limited Appliance Service Branch or an authorized servicing outlet.



Inglis Limited Appliance Service-Consumer Services

Dear Customer:

Good performance. That's what our warranty is all about. Here's how the good performance that you expect from your Refrigerator is protected.

WARRANTY FOR YOUR REFRIGERATOR

During the first year after purchase, all parts of the appliance which prove to be defective in materials or workmanship will be repaired or replaced free of charge (parts and labour).

During the first five years after purchase, all parts of the sealed refrigeration system, which consists of the compressor, condenser, evaporator, and connecting tubing, which prove to be defective in materials or workmanship, will be repaired or replaced at no cost to you.

During the sixth through tenth years after purchase, should the compressor fail due to defective materials or workmanship, the compressor will be repaired or replaced and you pay for any labour charge.

There may be a charge for travel or transportation expenses in those instances where a customer resides in a remote area.

Parts repaired or replaced under this warranty are warranted throughout the remainder of the original warranty period only.

This protection covers your home use of the appliance. This same protection applies to any subsequent owner during the applicable warranty period based on the original owner's purchase date.

This warranty does not cover damage by accident, misuse, improper installation, fire, flood, or acts of God.

This is the only warranty covering this appliance given by the manufacturer.

The provisions of this warranty are in addition to and not a modification of or subtraction from the statutory warranties and the other rights and remedies contained in any applicable legislation.

Now about servicing. If your appliance does not operate properly, check "Troubleshooting" (page 16) to see if the problem can be resolved without the assistance of a serviceman. If it cannot, please immediately contact the retailer from whom it was purchased or one of our Company-owned Service Branches or Company-owned Service Depots located across Canada.

Please keep your sales slip with your Use and Care Guide. It's nice to know you'll have protection, even though you may never need it.

Sincerely,

INGLIS LIMITED
ADMINISTRATION CENTRE
1901 MINNESOTA COURT
MISSISSAUGA, ONTARIO L5N 3A7

For assistance or service in Mexico:

When you need service or assistance for your Whirlpool refrigerator, contact an authorized service center. Do not use unauthorized servicers.

Servicio Acros-Whirlpool S.A. de C.V.

Use the National Customer Service free of charge to you.

Telephone: 91-800-83-004

MONTERREY

Av. Alfonso Reyes No. 3210
Col. Regina
Monterrey, N.L. C.P. 64290
Tels.: 351-27-37 y 351-27-03
Con 4 líneas.

MEXICO

Canela No. 47-L
Col. Granjas México
México D.F. C.P. 08400
Tels.: 650-65-33 Con 12 líneas
y 657-29-56

Poniente 134 No. 559
Col. Industrial Vallejo
México, D.F. C.P. 02300
Tels.: 368-25-25, 368-25-06,
368-25-66, 368-25-76

GUADALAJARA

Calz. González Gallo No. 1269
Guadalajara, Jal. C.P. 44870
Tels.: 619-23-03, 619-16-50,
619-15-55, 619-15-15.

IMPORTED BY:

Vitromatic Comercial S.A. de C.V.
Ave. San Nicolás 2121 Nte.
Col. 10. de Mayo
Monterrey, N.L. Mexico
Tels.: 375-39-86 y 372-40-15

MANUFACTURED BY:

Whirlpool Corporation
Benton Harbor, Michigan
USA

IMPORTANT NOTES

This document must be presented for any matter related to the warranty.

THE BUYER MUST KEEP THIS DOCUMENT IN HIS/HER POSSESSION AND IN A SAFE PLACE.

The consumer may request that the warranty covered under this certificate be honored by the commercial establishment that sold him/her the product. In the event the policy is lost, the issuer will issue a new warranty policy upon presentation of the sales receipt or invoice.

Warranties

WHIRLPOOL® Refrigerator Warranty (U.S.A. only)

LENGTH OF WARRANTY	WHIRLPOOL WILL PAY FOR
FULL ONE YEAR WARRANTY From Date of Purchase	FSP* replacement parts and repair labor to correct defects in materials or workmanship. Service must be provided by an authorized Whirlpool service company.
FULL FIVE YEAR WARRANTY From Date of Purchase	FSP replacement parts and repair labor to correct defects in materials or workmanship in the sealed refrigeration system. These parts are: <ol style="list-style-type: none"> 1. Compressor 2. Evaporator 3. Condenser 4. Drier 5. Connecting tubing Service must be provided by an authorized Whirlpool service company.
WHIRLPOOL WILL NOT PAY FOR	
<p>A. Service calls to:</p> <ol style="list-style-type: none"> 1. Correct the installation of your refrigerator. 2. Instruct you how to use your refrigerator. 3. Replace house fuses or correct house wiring or plumbing. 4. Replace light bulbs. <p>B. Repairs when your refrigerator is used in other than normal, single-family household use.</p> <p>C. Pickup and delivery. Your refrigerator is designed to be repaired in the home.</p> <p>D. Damage to your refrigerator caused by accident, misuse, fire, flood, acts of God, or use of products not approved by Whirlpool.</p> <p>E. Any food loss due to product failure.</p> <p>F. Repairs to parts or systems caused by unauthorized modifications made to the appliance.</p>	

6/94

WHIRLPOOL CORPORATION SHALL NOT BE LIABLE FOR INCIDENTAL OR CONSEQUENTIAL DAMAGES. Some states do not allow the exclusion or limitation of incidental or consequential damages, so this limitation or exclusion may not apply to you. This warranty gives you specific legal rights, and you may also have other rights which vary from state to state.

Outside the United States, a different warranty may apply. For details, please contact your authorized Whirlpool distributor or military exchange.

If you need service, first see the "Requesting Assistance or Service" section of this book. After checking "Requesting Assistance or Service," additional help can be found by calling our Consumer Assistance Center telephone number, 1-800-253-1301, from anywhere in the U.S.A.

Warranty (Mexico only)

WARRANTY POLICY

VITROMATIC COMERCIAL, S.A. DE C.V. Ave. San Nicolás
2121 Nte. Monterrey, N.L., Tel.: 75-39-86. Pursuant to the terms of this
policy, exclusively guarantees the buyer and user of the Acros accessory
identified in it, the following:

WHAT IS COVERED UNDER THE WARRANTY

Factory defects that appear within the term of the warranty that totally or partially prevent the correct operation of the appliance. In this case, the appliance will be repaired free of charge to the buyer. If the replacement of any component of the appliance is required, the cost will be covered under this warranty. Likewise, the transport charges derived from the compliance of the terms of the warranty will be covered by the guarantor.

WHAT IS NOT COVERED UNDER THE WARRANTY

Faulty installation due to:

Use of inferior quality materials. (See Use and Care Guide). Not following the instructions in the Use and Care Guide and the Warning notices.

Faults, damages, or flaws caused by:

Deficient or irregular power supply. (See Warnings and suggestions in the Use and Care Guide, normal range 127 Volts \pm 10%.)

Use of the appliance under conditions different to those specified in the operation instructions and the Warning notices.

PROCEDURE TO PRESENT A CLAIM UNDER THE WARRANTY

When the buyer considers that occurrences covered by this policy have taken place, said buyer should contact one of the establishments indicated in the list of authorized service centers included herein.

The repairs will be attended to within a 30-day period as from the date in which the appliance is received, unless a longer period is absolutely necessary.

This warranty will not be valid if non-authorized persons or establishments intervene in the repair or replacement of factory components.

TERM:

This warranty is valid in all its parts for ONE YEAR beginning on the date that the buyer receives the appliance to his/her satisfaction.

In addition to the basic ONE YEAR warranty, this warranty covers the following components for the following additional periods:

REFRIGERATORS: 4 years for the sealed refrigeration system, which includes the compressor, evaporator, dryer, condenser, filter, connection, and suction tube.

Table des matières

	Page		Page
Veillez noter	1	Raccordement de la machine à glaçons à la canalisation d'eau	9
Sécurité du réfrigérateur	2	Remplacement des ampoules électriques	12
Pièces et caractéristiques	3	Les bruits de l'appareil	13
Avant l'utilisation du réfrigérateur	4	Conseils pour économiser l'énergie	13
Utilisation du réfrigérateur	5	Inversion du sens d'ouverture des portes	13
Réglage de la commande	5	Entretien du réfrigérateur	14
Réglage des clayettes du réfrigérateur	6	Conservation des aliments	16
Retrait du bac à viande et du couvercle	6	Dépannage	18
Retrait des bacs à légumes et du couvercle	7	Appel d'aide ou de service	19
Retrait de la clayette du congélateur	7	Garantie du réfrigérateur WHIRLPOOL®	20
Utilisation des plateaux à glaçons	8		
Utilisation de la machine à glaçons automatique optionnelle	8		

Veillez noter

Merci d'avoir acheté un appareil électroménager Whirlpool®.

Comme votre vie devient plus affairée et plus compliquée, les réfrigérateurs Whirlpool sont faciles à utiliser, font économiser du temps et aident à mieux administrer votre foyer. Pour garantir que cet appareil vous donnera de nombreuses années de service sans problème, nous avons préparé ce Guide d'utilisation et d'entretien. Il est plein de renseignements utiles qui vous aideront à utiliser et à entretenir votre appareil convenablement et en sécurité. Veuillez également compléter et retourner la carte d'enregistrement du propriétaire fournie avec l'appareil.

Veillez inscrire les renseignements concernant votre réfrigérateur.

Si jamais vous avez besoin de service pour votre appareil ménager, vous devrez connaître le numéro de modèle et le numéro de série. Ces renseignements sont indiqués sur la plaque signalétique des numéros de modèle et de série (voir schéma, page 3).

Veillez également noter la date d'achat du produit ainsi que les nom, adresse et numéro de téléphone du marchand.

Numéro de modèle _____

Numéro de série _____

Date d'achat _____

Nom du marchand _____

Téléphone _____

Conservez cette brochure et la facture de vente en lieu sûr pour référence ultérieure.

Sécurité du réfrigérateur

Votre sécurité nous tient à coeur.

Ce guide contient des instructions de sécurité sous des symboles d'avertissement. Veuillez accorder une attention particulière à ces symboles et observer toutes les instructions qui les accompagnent. Voici une brève explication du sens de ce symbole.

⚠ AVERTISSEMENT

Ce symbole vous avertit de dangers tels que blessures, brûlures, incendie et choc électrique.

IMPORTANTES INSTRUCTIONS DE SÉCURITÉ

⚠ AVERTISSEMENT

Pour réduire les risques d'incendie, de choc électrique ou de blessures lors de l'utilisation du réfrigérateur, prendre quelques précautions fondamentales, y compris les suivantes :

- Lire toutes les instructions avant d'utiliser le réfrigérateur.
 - Les enfants qui s'enferment ou qui suffoquent dans un réfrigérateur ne sont pas choses du passé. Les réfrigérateurs abandonnés ou mis au rebut présentent des risques ... même "s'ils ne sont dans le garage que pour quelques jours".
Ne prendre aucun risque au moment de se défaire d'un réfrigérateur usagé. Lire le livret ci-joint concernant la sécurité de l'Association des fabricants d'appareils électroménagers. Contribuer à la prévention des accidents.
 - Ne jamais permettre à un enfant de faire fonctionner un réfrigérateur, de jouer avec l'appareil ou de se glisser à l'intérieur.
 - Ne jamais nettoyer les pièces du réfrigérateur au moyen de liquides inflammables. Les vapeurs risquent de provoquer un incendie ou une explosion.
- POUR VOTRE SÉCURITÉ •
- NE PAS FUMER NI N'UTILISER D'ESSENCE OU AUTRES VAPEURS ET LIQUIDES INFLAMMABLES À PROXIMITÉ DU RÉFRIGÉRATEUR OU DE TOUT AUTRE APPAREIL. LES VAPEURS RISQUENT DE PROVOQUER UN INCENDIE OU UNE EXPLOSION.**

– CONSERVER CES INSTRUCTIONS –

Aidez-nous à vous aider

Veuillez :

- Installer le réfrigérateur et le mettre de niveau sur un plancher qui en supportera le poids, et dans un endroit convenant à sa taille et à son utilisation.
- Ne pas installer le réfrigérateur près d'un four, d'un radiateur ou autre source de chaleur.
- Ne pas utiliser le réfrigérateur dans un endroit où la température ambiante sera inférieure à 13 °C (55 °F).
- Garder le réfrigérateur à l'abri des intempéries.
- Brancher le réfrigérateur seulement à la prise de courant du type correct, avec l'alimentation électrique et la mise à la terre appropriées. (Se référer à la fiche "Spécifications de l'alimentation électrique et méthode de liaison à la terre".)
- Ne pas remplir le réfrigérateur d'aliments avant qu'il n'ait le temps d'être bien froid.
- Utiliser le réfrigérateur uniquement pour l'usage décrit dans ce manuel.
- Bien entretenir le réfrigérateur.
- Vérifier que le réfrigérateur n'est pas utilisé par une personne qui en ignore le fonctionnement.

Pièces et caractéristiques

Cette section présente des illustrations descriptives de l'appareil ménager. L'utilisateur pourra ainsi se familiariser avec toutes les pièces et caractéristiques de l'appareil, et leur apparence. Cette brochure contient également des pages de référence.

REMARQUE : Le réfrigérateur acheté peut comporter toutes les pièces et caractéristiques représentées ici ou seulement certaines d'entre elles, et elles peuvent parfois ne pas correspondre exactement à l'illustration. Ce manuel couvre plusieurs modèles.

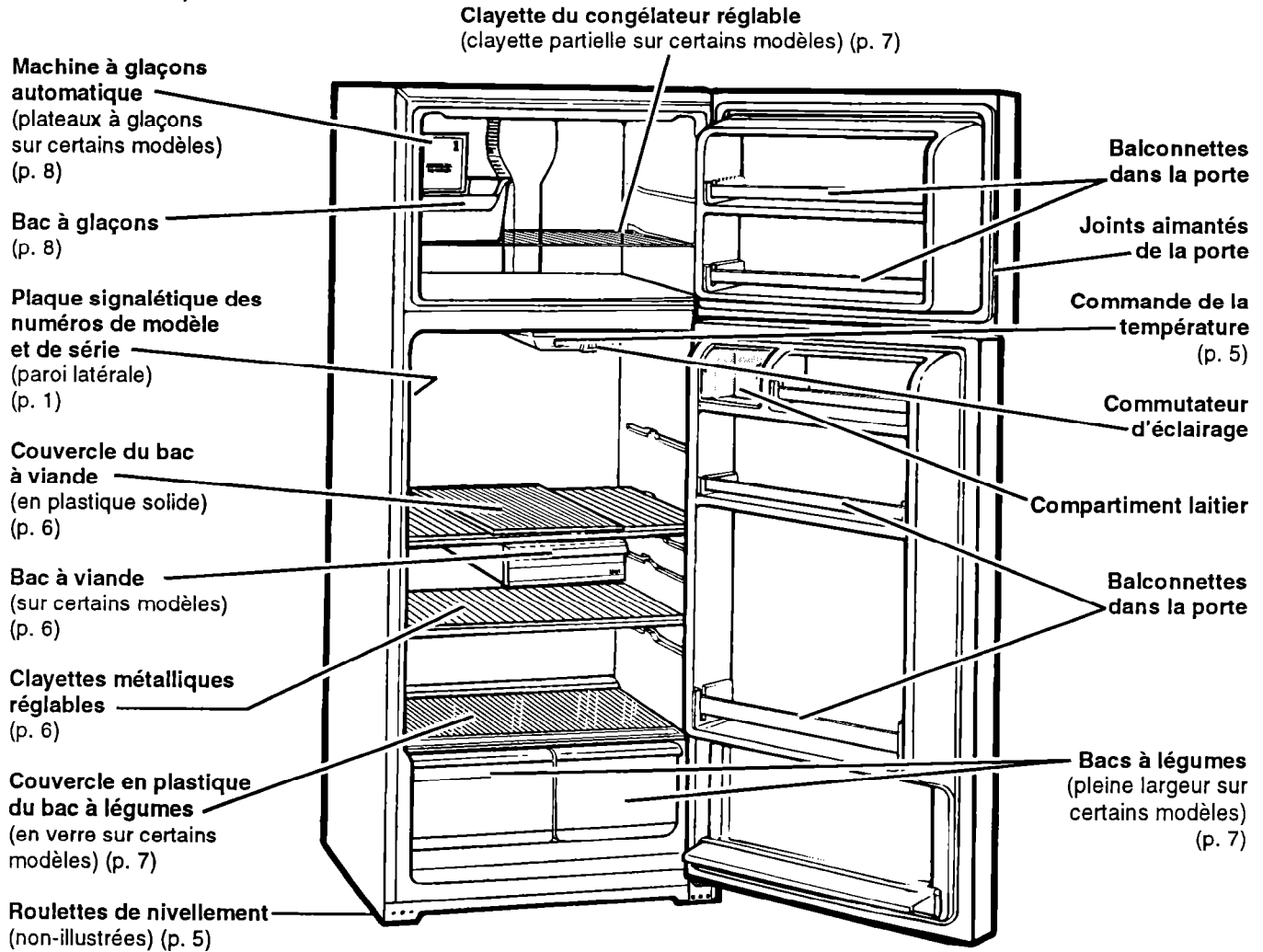
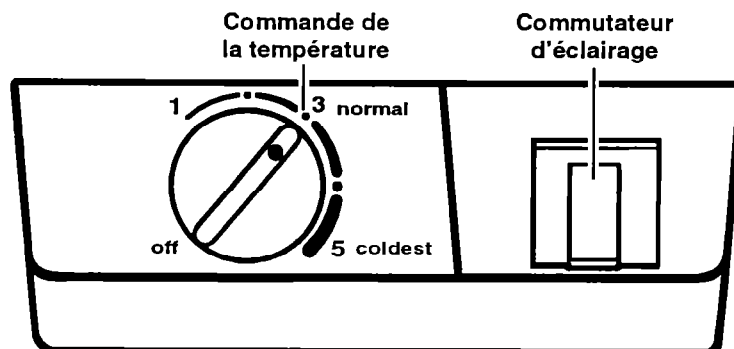


Tableau de commande



Avant l'utilisation du réfrigérateur

Il est important de préparer votre réfrigérateur pour pouvoir l'utiliser. Cette section vous décrira comment le nettoyer, le brancher à une source d'alimentation, l'installer et le mettre de niveau.

Nettoyage du réfrigérateur

Enlèvement des étiquettes commerciales

Avant d'utiliser le réfrigérateur, enlever le ruban adhésif et toutes les étiquettes à l'intérieur du réfrigérateur (sauf l'étiquette des numéros de modèle et de série).

Pour éliminer l'adhésif tenace :

- Frotter vivement à l'aide du pouce de façon à former une boule, puis enlever.

OU

- Verser du détergent à vaisselle liquide sur la zone concernée et laisser tremper avant d'enlever l'adhésif comme décrit ci-dessus. Ne pas utiliser d'instruments

acérés, d'alcool à friction, de solvants inflammables ou de produits d'entretien abrasifs; cela peut endommager le matériau du réfrigérateur. Voir "Importantes instructions de sécurité" à la page 2.

REMARQUE : Ne pas enlever les étiquettes d'instructions permanentes apposées à l'intérieur du réfrigérateur. Ne pas retirer la fiche technique fixée sous le réfrigérateur, à l'avant.

Nettoyage

Si nécessaire, après avoir enlevé les étiquettes commerciales, nettoyer le réfrigérateur avant de l'utiliser. Consulter les instructions de nettoyage à la page 18.



Branchement

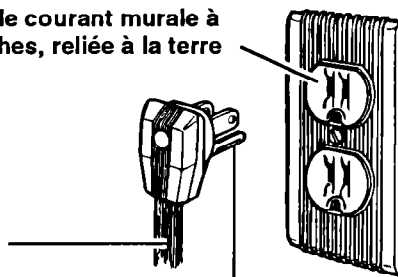
Méthode recommandée de mise à la terre

Une source d'alimentation de 115 volts, 60 Hz, 15 ou 20 ampères CA seulement, protégée par fusible et adéquatement mise à la terre, est nécessaire. Il est recommandé d'utiliser un circuit distinct pour alimenter uniquement cet appareil. Utiliser une prise murale qui ne puisse être mise hors circuit à l'aide d'un commutateur ou d'une chaîne. Ne pas employer de rallonge.

Consulter la fiche "Spécifications de l'alimentation électrique et méthode de liaison à la terre" se trouvant dans la documentation.

Prise de courant murale à 3 broches, reliée à la terre

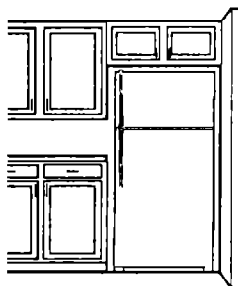
Cordon d'alimentation du réfrigérateur



Fiche de branchement à 3 broches, reliée à la terre

Installation correcte

1. Laisser un espace de 1,25 cm (1/2 po) de chaque côté et 7,6 cm (3 po) au-dessus du réfrigérateur pour en faciliter l'installation et la circulation de l'air.
2. Si un côté des charnières du réfrigérateur est contre un mur, il serait bon de prévoir de l'espace supplémentaire de ce côté pour permettre une ouverture plus grande de la porte.
3. Laisser un espace d'au moins 2,5 cm (1 po) entre le condenseur au dos du réfrigérateur et le mur.
4. Niveller le réfrigérateur.



Nivellement

Ce réfrigérateur est équipé de 2 roulettes avant réglables pour éviter qu'il ne bouge sur un sol inégal.

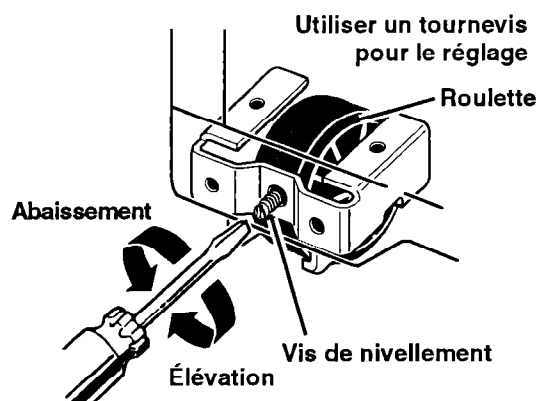
Pour ajuster les roulettes :

1. Mettre le réfrigérateur en place.
2. Ajuster les roulettes en tournant les vis de nivellement situées à l'avant de la base.
 - Tourner dans le sens horaire pour élever.
 - Tourner dans le sens antihoraire pour abaisser.

REMARQUE : Les roulettes sont correctement ajustées lorsque le réfrigérateur ne bouge plus quand les portes sont ouvertes ou fermées.

3. Répéter cette méthode chaque fois que le réfrigérateur est déplacé.

REMARQUE : Pour que les portes se ferment plus facilement, utiliser les roulettes pour légèrement soulever l'avant du réfrigérateur.



Utilisation du réfrigérateur

Pour pouvoir obtenir la meilleure performance du réfrigérateur, il convient de l'utiliser convenablement. Cette section décrit les opérations de réglage, les modes d'économie d'énergie, et l'utilisation des diverses caractéristiques et fonctions du réfrigérateur.

Réglage de la commande

La commande du réfrigérateur et du congélateur se trouve à l'intérieur du réfrigérateur. Au moment du branchement initial de l'appareil :

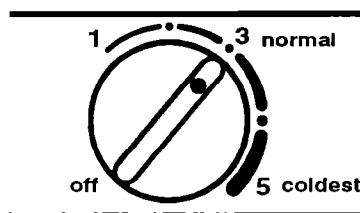
- **Régler la commande de la température à 3 (normal).** Les réglages de la commande de la température vont de 1 (plus chaud) à 5 (plus froid).

REMARQUE : Lorsque la commande de la température est à la position ARRÊT (off), l'action refroidissante cesse dans les compartiments du réfrigérateur et du congélateur mais le réfrigérateur n'est pas débranché de la source d'alimentation.

Avant d'y placer des aliments, laisser le réfrigérateur refroidir complètement. Ceci peut prendre plusieurs heures.

Ces réglages devraient convenir pour l'utilisation domestique normale de l'appareil. Les commandes sont réglées à la température appropriée lorsque le lait ou le jus est froid au goût et que la crème glacée est ferme.

REMARQUE : La commande de l'humidité extérieure encastrée empêche l'accumulation d'humidité sur la caisse extérieure.



Réglage des clayettes du réfrigérateur

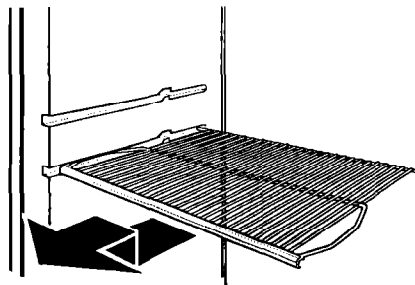
Les clayettes peuvent être réglées en fonction des besoins personnels.

Pour retirer les clayettes :

1. Enlever les articles qui y sont placés.
2. Glisser la clayette jusqu'à la butée.
3. Soulever l'arrière de la clayette par-dessus la butée.
4. La glisser complètement à l'extérieur.

Pour remettre les clayettes :

1. Glisser l'arrière de la clayette dans la glissière sur la paroi de la caisse.
2. Guider l'avant de la clayette dans la glissière.
3. La glisser complètement à l'intérieur.



Retrait du bac à viande et du couvercle

(sur certains modèles)

Pour retirer le bac à viande :

1. En tirant, glisser le bac à viande jusqu'à la butée.
2. Soulever l'avant du bac à viande.
3. Le glisser complètement à l'extérieur.
4. Pour le remettre, refaire les étapes dans l'ordre inverse.

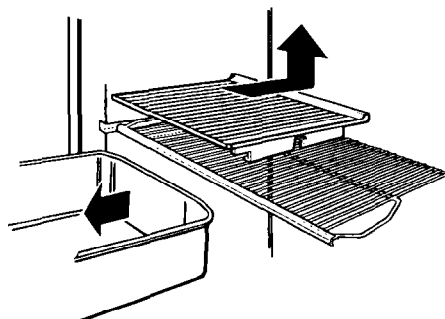
Pour retirer le couvercle :

1. Retirer le bac à viande.
2. Pousser l'arrière du couvercle pour dégager les agrafes arrière de la tablette.
3. Soulever l'avant du couvercle.
4. Tirer droit vers l'extérieur.

Pour remettre le couvercle :

1. Aligner les crans et agrafes sous le couvercle par-dessus les barres à l'arrière et au centre de la tablette.
2. Abaisser le couvercle en place.
3. Le tirer vers l'avant pour fixer les agrafes dans la tablette.
4. Remettre le bac à viande.

Retirer le bac à viande avant le couvercle.

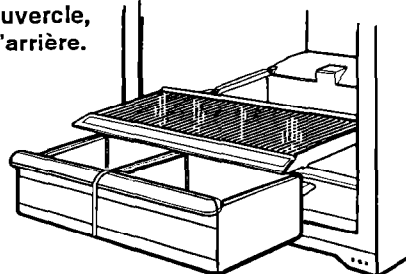


Retrait du (des) bac(s) à légumes et du couvercle

Pour retirer le(s) bac(s) à légumes :

1. En tirant, glisser le(s) bac(s) à légumes jusqu'à la butée.
2. Soulever l'avant.
3. Le glisser complètement à l'extérieur.
4. Pour le remettre, refaire les étapes dans l'ordre inverse.

Soulever l'avant
du couvercle,
puis l'arrière.



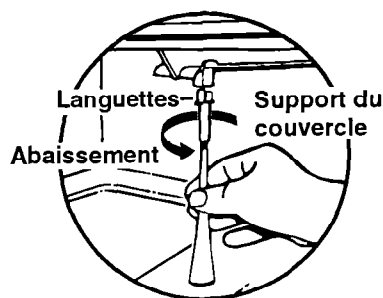
Pour retirer le couvercle :

1. Soulever l'avant du couvercle et retirer le support du couvercle.
2. Soulever le couvercle en le glissant à l'extérieur.

Pour remettre le couvercle :

1. Insérer les languettes du couvercle dans les fentes les plus basses de la caisse et les y enfoncer. Abaisser les supports avant en place.
2. Insérer le support du couvercle (avec la longue languette dirigée vers l'avant) dans la rainure sous le couvercle.

REMARQUE : S'il est nécessaire de régler le support, tourner la base dans le sens horaire pour soulever ou dans le sens antihoraire pour abaisser.



Retrait de la clayette du congélateur (sur certains modèles)

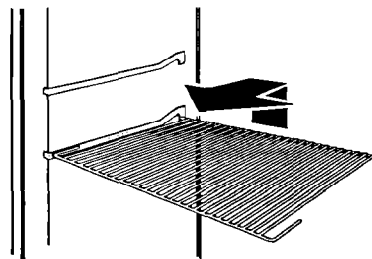
La clayette du congélateur peut être enlevée pour en faciliter le nettoyage.

Pour retirer la clayette :

1. Enlever les articles qui y sont placés.
2. Soulever l'arrière de la clayette par-dessus la butée.
3. La glisser complètement à l'extérieur.

Pour remettre la clayette :

1. Glisser l'arrière de la clayette dans les glissières sur les parois de la caisse.
2. La glisser complètement à l'intérieur.

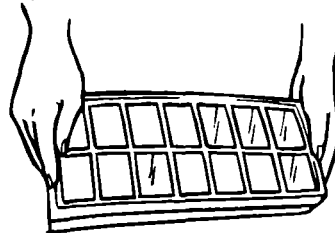


Utilisation des plateaux à glaçons

Si les glaçons ne sont pas utilisés, ils peuvent rapetisser. L'air froid qui circule dans le bac provoque leur évaporation lente. Plus les glaçons y restent longtemps, plus ils deviennent petits.

Pour retirer les glaçons :

1. Tenir le plateau aux deux extrémités.
2. Le tordre légèrement.



Utilisation de la machine à glaçons automatique optionnelle

Si votre réfrigérateur est équipé d'une machine à glaçons automatique ou si vous projetez d'en acquérir une (contactez le concessionnaire pour le numéro de pièce), voici quelques points qu'il est bon de connaître :

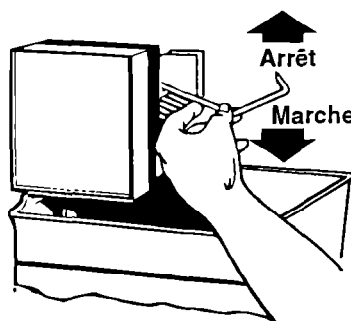
- Le levier MARCHE/ARRÊT est un bras de commande électrique.

ABAISSÉ la machine marche automatiquement.

SOULEVÉ la machine est hors circuit.

IMPORTANT : Ne pas mettre la machine à glaçons en marche tant qu'elle n'est pas raccordée à la canalisation d'eau.

- Avant d'enlever le bac à glaçons, soulever le bras de commande pour mettre hors circuit la machine à glaçons. Au moment de remettre le bac, le pousser jusqu'au fond et abaisser le bras de commande en position MARCHE.
- Pour obtenir des glaçons de qualité, il faut de la bonne eau. Il n'est pas recommandé de raccorder la machine à glaçons à une source d'eau adoucie. Les produits chimiques, comme le sel provenant d'un adoucisseur d'eau en mauvais état de marche, risquent d'endommager le moule de la machine à glaçons et de produire des glaçons de piètre qualité. Si la machine doit être raccordée à une source d'eau adoucie, il est important que l'adoucisseur soit entretenu avec soin et maintenu en bon état de marche.



SOULEVER
pour mettre
fin à la
formation de
glaçons.

ABAISSER
pour mettre
la machine
en marche.

Solutions aux problèmes de fonctionnement de la machine à glaçons

PROBLÈME	CAUSE/SOLUTION POSSIBLE
Les glaçons en demi-lune sont collés	<ul style="list-style-type: none"> • C'est normal. Ils se séparent facilement. Agiter le bac occasionnellement pour séparer les glaçons.
La machine ne fonctionne pas ou les glaçons ne se font pas assez vite	<ul style="list-style-type: none"> • Le levier MARCHE/ARRÊT est à la position ARRÊT (soulevé). Abaisser le levier à la position MARCHE (abaissé). • Le congélateur n'est pas assez froid. Régler d'abord les commandes et attendre au moins 24 heures. (Voir "Réglage de la commande" à la page 5.)
Arrière-goût ou mauvaise odeur de la glace	<ul style="list-style-type: none"> • On peut observer une coloration de la glace ou noter la présence d'un mauvais goût, après l'exécution de nouveaux raccordements de plomberie. Jeter la glace et en faire d'autre. • Les glaçons sont trop vieux. Les jeter et en faire d'autres. • Emballage incorrect des aliments dans le congélateur. Voir page 17. • Nettoyage nécessaire du bac à glaçons et du congélateur. Voir page 14.

Raccordement de la machine à glaçons à la canalisation d'eau

Lire attentivement toutes les instructions avant de commencer le travail.

⚠ AVERTISSEMENT

Risque de choc électrique

- Avant l'installation, débrancher le réfrigérateur de la source d'alimentation électrique.
- Avant de percer des trous dans la canalisation d'eau, vérifier que la perceuse électrique est bien reliée à la terre.

Le non-respect de ces instructions peut être la cause d'un choc électrique, de graves blessures ou d'un accident mortel.

avec bride de prise en charge satisfait aux exigences des codes de plomberie locaux. Ne pas utiliser un robinet d'arrêt à aiguille perforante ou un robinet monté sur une bride de prise en charge de $\frac{3}{16}$ po, qui réduit le débit d'eau et s'obstrue plus facilement.

Arrivée d'eau froide

La valve d'entrée d'eau de la machine à glaçons comprend une rondelle de contrôle du débit, qui est utilisée comme élément de régulation de la pression d'eau. La canalisation qui alimente la machine à glaçons en eau froide doit distribuer l'eau sous une pression de 20 à 120 lb/po². Si un problème survient, contacter la compagnie de distribution d'eau.

IMPORTANT :

- Utiliser uniquement des tubes en cuivre et vérifier s'ils fuient.
- Installer le tube en cuivre alimentant la machine à glaçons à un endroit où la température se maintient au-dessus du point de congélation de l'eau.

Outillage nécessaire :

- Tournevis
- Clés plates de $\frac{7}{16}$ po et $\frac{1}{2}$ po, ou 2 clés à molette
- Tourne-écrou, $\frac{1}{4}$ po
- Foret, $\frac{1}{4}$ po
- Perceuse manuelle ou perceuse électrique (convenablement reliée à la terre)

REMARQUE : On peut trouver chez le concessionnaire le plus proche un ensemble comprenant un robinet d'arrêt de $\frac{1}{4}$ po avec bride de prise en charge, un raccord de connexion et un tube en cuivre. Avant d'acheter cet ensemble, vérifier que le robinet d'arrêt

IMPORTANT :

- Une période d'attente pouvant atteindre 24 heures est nécessaire avant que l'appareil commence à produire des glaçons.
- Si on doit utiliser le réfrigérateur avant qu'il soit raccordé à la canalisation d'eau, placer la commande de la machine à glaçons à la position d'arrêt (OFF) pour empêcher que la machine à glaçons fonctionne sans produire de glace.
- Tous les aspects de l'installation doivent être conformes aux exigences des codes de plomberie locaux.

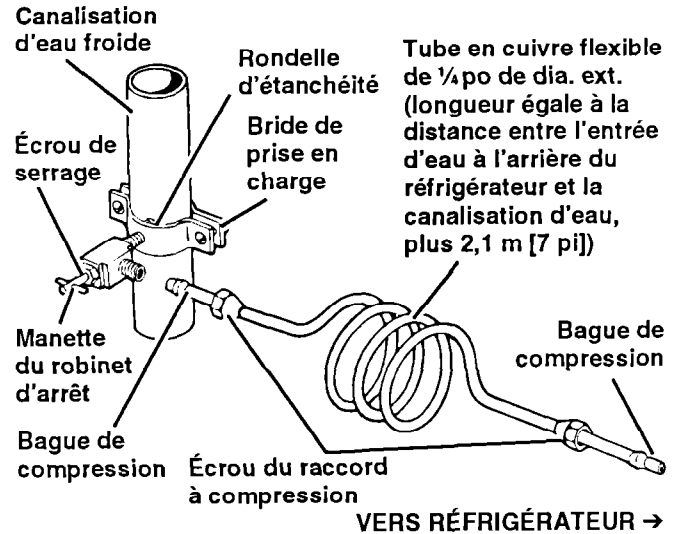
**LE FABRICANT DU RÉFRIGÉRATEUR
OU DE LA MACHINE À GLAÇONS
N'ACCORDE AUCUNE GARANTIE À
L'ÉGARD DE L'INSTALLATION.**

Raccordement à une canalisation d'eau

1. Trouver une canalisation d'eau FROIDE verticale de ½ po à 1 ¼ po au voisinage du réfrigérateur.

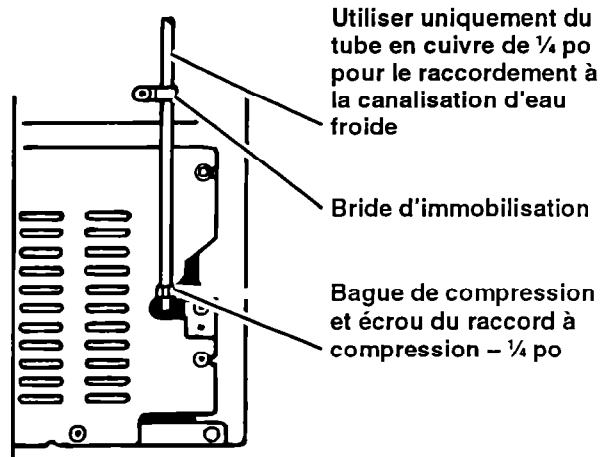
REMARQUE : On peut alimenter le réfrigérateur à partir d'une canalisation horizontale, mais on doit alors observer la précaution suivante : percer par le dessus de la canalisation, et pas par le dessous. Ainsi, l'eau ne risquera pas d'arroser la perceuse. Ceci empêche également les sédiments qu'on trouve normalement dans l'eau de s'accumuler dans le robinet d'arrêt.

2. Mesurer la distance entre le point de connexion à l'arrière du réfrigérateur et la tuyauterie d'arrivée d'eau. Ajouter une longueur de 2,1 m (7 pi) pour permettre le déplacement du réfrigérateur pour les opérations de nettoyage. C'est la longueur du tube en cuivre de ¼ po de dia. ext. qu'on doit utiliser pour le raccordement (distance entre le point de connexion et la tuyauterie d'arrivée PLUS 2,1 m [7 pi]). Veiller à ce que le tube soit coupé d'équerre aux deux extrémités.
3. FERMER le robinet de distribution d'eau principal. OUVRIR le robinet de puisage le plus proche pendant une période suffisante pour que la canalisation d'eau se vide.
4. À l'aide d'une perceuse électrique reliée à la terre, percer un trou de ¼ po dans la canalisation d'eau froide choisie.
5. Fixer le robinet d'arrêt sur la canalisation d'eau froide avec la bride de prise en charge. Vérifier que le raccord du robinet est bien engagé dans le trou de ¼ po percé dans la canalisation, et que la rondelle d'étanchéité est placée sous la bride de prise en charge. Serrer l'écrou de serrage sur la tige du robinet. Serrer soigneusement et uniformément les vis fixant la bride de prise en charge sur la tuyauterie, afin que la rondelle forme une jonction étanche. Ne pas serrer excessivement, car ceci pourrait provoquer l'écrasement du tube en cuivre, particulièrement s'il s'agit d'un tube en cuivre malléable. On est alors prêt à connecter le tube de raccordsment en cuivre.
6. Enfiler l'écrou et la bague de compression du raccord sur le tube en cuivre, comme on le voit sur l'illustration. Insérer l'extrémité du tube aussi loin que possible dans l'ouverture de sortie du robinet. Visser l'écrou du raccord à compression sur le raccord de sortie avec une clé à molette. Ne pas serrer excessivement. Ouvrir le robinet d'arrivée d'eau principal, et laisser l'eau s'écouler par le tube de raccordsment jusqu'à ce qu'elle soit limpide. Fermer le robinet d'arrivée d'eau principal. Enrouler le tube de raccordsment en spirale.



Raccordement au réfrigérateur

1. (Dans le cas d'un ensemble d'installation, installer la valve d'entrée d'eau sur le réfrigérateur conformément aux instructions fournies avec l'ensemble.) Faire passer le tube en cuivre dans la bride d'immobilisation tel qu'illustré à gauche. Connecter le tube en cuivre de ¼ po provenant du robinet d'arrêt d'eau à la valve d'entrée d'eau dans l'angle inférieur arrière gauche de la caisse. Utiliser un raccord à compression (bague de compression plus écrou) tel qu'illustré à gauche. Serrer l'écrou de compression. Ne pas serrer excessivement.
2. **OUVRI**R le robinet d'arrêt. **INSPECTER POUR RECHERCHER LES FUITES. SERRER TOUT RACCORD OU ÉCROU COMPORTANT UNE FUITE (CECI INCLUANT LES RACCORDEMENTS DE LA VALVE D'ENTRÉE D'EAU).**
3. La machine à glaçons est équipée d'un filtre à eau incorporé. Si la qualité de l'eau distribuée localement nécessite un nettoyage périodique, ou si l'eau qui alimente l'appareil provient d'un puits, il serait utile d'installer un second filtre avec le tube de raccordement de ¼ po. On peut obtenir un tel filtre à eau chez le concessionnaire d'appareils ménagers le plus proche. Installer le filtre au niveau de n'importe laquelle des connexions du tube de raccordement.
4. Rebrancher le réfrigérateur sur la source d'alimentation électrique.



Remplacement des ampoules électriques

⚠ AVERTISSEMENT

Risque de choc électrique

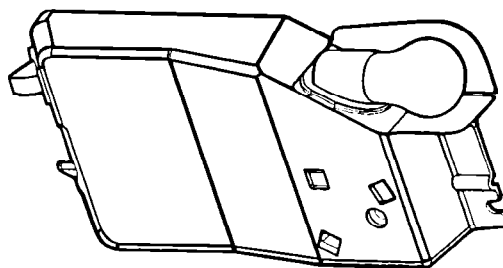
Avant d'enlever une ampoule électrique ou de retirer un écran protecteur pour le nettoyage, débrancher le réfrigérateur de la prise ou fermer la source d'alimentation électrique principale.

Le non-respect de cette instruction peut être la cause d'un choc électrique.

Pour remplacer l'ampoule du réfrigérateur :

1. Débrancher le réfrigérateur de la prise.
2. Saisir l'ampoule située derrière le tableau de commande.
3. La remplacer par une ampoule de 40 watts pour appareil électroménager.
4. Rebrancher le réfrigérateur.

REMARQUE : Votre réfrigérateur ne pourra pas accommoder toutes les ampoules commerciales pour appareils électroménagers. S'assurer de faire le remplacement par une ampoule de taille et de forme similaires.



Les bruits de l'appareil

Il est possible que le réfrigérateur émette des bruits que le précédent ne produisait pas. Comme ces bruits sont nouveaux, ils peuvent vous inquiéter. Ne vous faites pas de souci. La plupart des bruits nouveaux sont normaux. Les surfaces dures, comme le plancher, les murs, les armoires, peuvent faire paraître les bruits plus forts.

Les paragraphes suivants décrivent les bruits qui sont susceptibles de vous sembler nouveaux et leur origine.

Bourdonnement léger, sifflement doux

Ils peuvent être dus au moteur du ventilateur du réfrigérateur et à la circulation de l'air.

Bruits secs ou claquements

Le thermostat émet un bruit sec distinctif lorsque le moteur du réfrigérateur s'arrête. Il en émet aussi un lorsqu'il se remet en marche. La minuterie du dégivreur produit un bruit sec au début et à la fin du cycle de dégivrage.

Gargouillement

Lorsque le réfrigérateur cesse de fonctionner, un gargouillement peut se produire dans la tuyauterie durant les quelques minutes suivantes. Il est aussi possible que l'eau du dégivrage émette un bruit en tombant dans le plateau de dégivrage.

Bruits de la machine à glaçons

- Écoulement de l'eau
- Bruit sourd (entrechoquement des glaçons)

Comme le réfrigérateur est muni d'une machine à glaçons, vous entendrez peut-être des bourdonnements (du robinet d'eau), des gargouillements et le bruit des glaçons qui s'entrechoquent.

Bruits mécaniques

Le réfrigérateur est équipé d'un moteur et d'un compresseur à haute efficacité. Il fonctionne plus longtemps que les anciens modèles. Il peut même sembler fonctionner sans arrêt.

Conseils pour économiser l'énergie

Vous êtes en mesure de réduire la consommation d'énergie du réfrigérateur en prenant quelques précautions.

- Vérifier si les joints des portes sont étanches. Installer la caisse de niveau pour assurer l'étanchéité.
- Nettoyer régulièrement les serpentins du condenseur.
- Ouvrir la porte le moins souvent possible. Décider des articles requis avant d'ouvrir la porte. Retirer tout le nécessaire en une seule fois. Organiser adéquatement le contenu afin d'éviter de chercher. Fermer la porte dès que les aliments ont été retirés.

- Remplir le réfrigérateur au besoin, mais éviter de le surcharger et d'empêcher ainsi la circulation de l'air.
- Le réglage du réfrigérateur et du congélateur à des températures plus élevées que nécessaires consomme inutilement de l'électricité. Si la crème glacée est ferme dans le congélateur et que les boissons sont aussi froides que voulues, la température est correcte.
- S'assurer que le réfrigérateur n'est pas installé à proximité d'une source de chaleur, telle que cuisinière, chauffe-eau, fournaise, appareil de chauffage, ou directement exposé au soleil.

Inversion du sens d'ouverture des portes

On peut changer les charnières du réfrigérateur pour que les portes s'ouvrent dans l'autre sens. Consulter les instructions se trouvant dans la documentation.

Entretien du réfrigérateur

Ce réfrigérateur a été conçu et construit pour offrir de nombreuses années de service fiable. L'utilisateur peut cependant faire certaines choses pour en augmenter la longévité. Cette section décrit comment nettoyer le réfrigérateur, et ce qu'il faut faire avant une période de vacances, avant un déménagement, ou à l'occasion d'une interruption de l'alimentation électrique.

Nettoyage du réfrigérateur

Les compartiments réfrigérateur et congélateur se dégivrent automatiquement. Tous deux doivent cependant être nettoyés environ une fois par mois, afin de prévenir l'accumulation d'odeurs.



Essuyer immédiatement les produits renversés.

Pour nettoyer le réfrigérateur, débrancher l'appareil, retirer toutes les pièces amovibles et les nettoyer conformément aux instructions suivantes.

⚠ AVERTISSEMENT

Risque de blessures

Les tubes du système de réfrigération sont situés près du plateau de dégivrage et peuvent devenir chauds. Retirer et replacer le plateau de dégivrage avec soin.

Le non-respect de cette instruction peut être la cause de blessures.

PIÈCE	MATÉRIEL	MÉTHODE DE NETTOYAGE
Pièces amovibles (clayettes, bac à légumes, etc.)	Éponge ou chiffon avec détergent doux et eau tiède	<ul style="list-style-type: none"> • Laver à la main, rincer et sécher à fond.
Extérieur	Éponge, chiffon ou essuie-tout en papier avec détergent doux, eau tiède et cire pour appareil électroménager (ou cire en pâte de qualité pour automobile)	<ul style="list-style-type: none"> • Laver l'extérieur du réfrigérateur. Ne pas utiliser de nettoyeurs durs ou abrasifs. • Essuyer et sécher à fond. • Cirer les surfaces métalliques peintes au moins deux fois par an. Appliquer la cire avec un chiffon doux et propre. Le cirage des surfaces métalliques peintes les protège contre la rouille. Ne pas utiliser de cire sur les pièces en plastique.
Parois Intérieures (le congélateur doit être assez tiède pour que le chiffon n'adhère pas)	Éponge, chiffon doux ou essuie-tout en papier avec bicarbonate de soude ou détergent doux et eau tiède	<ul style="list-style-type: none"> • Laver avec de l'eau tiède et <ul style="list-style-type: none"> – du détergent doux ou – du bicarbonate de soude (26 g [2 cuillères à soupe] ajoutés à 0,95 L [1 pinte] d'eau). • Essuyer et sécher à fond.
Garnitures et joints des portes	Éponge, chiffon doux ou essuie-tout en papier avec détergent doux et eau tiède	<ul style="list-style-type: none"> • Laver, rincer et sécher à fond. <p>NE PAS UTILISER de cires nettoyantes, de détergents concentrés, d'eau de Javel ni de nettoyeurs contenant du pétrole, sur des pièces en plastique.</p>
Pièces en plastique (couvercles et panneaux)	Éponge douce et propre ou chiffon doux et propre avec détergent doux et eau tiède	<ul style="list-style-type: none"> • Laver, rincer et sécher à fond. <p>NE PAS UTILISER d'essuie-tout en papier, de nettoyeurs pour vitres, de produits à récuser ni de solvants inflammables, car ils risquent d'égratigner ou d'endommager le matériel. Voir "Importantes instructions de sécurité" à la page 2.</p>
Plateau de dégivrage (en arrière de la caisse au-dessus du moteur)	Éponge ou chiffon avec détergent doux et eau tiède	<ul style="list-style-type: none"> • Écarter le réfrigérateur du mur. • Laver, rincer ou essuyer et sécher à fond. Ne pas retirer le plateau de dégivrage pour nettoyage. • Repousser le réfrigérateur en place. Laisser un espace de 2,5 cm (1 po) entre le mur et le condenseur à l'arrière du réfrigérateur. • Vérifier si l'appareil est au niveau.
Serpentins du condenseur	Accessoire étroit et long de l'aspirateur	<ul style="list-style-type: none"> • Écarter le réfrigérateur du mur. • Enlever la poussière et la charpie des serpentins au moins tous les deux mois. • Repousser le réfrigérateur en place. Laisser un espace de 2,5 cm (1 po) entre le mur et le condenseur à l'arrière du réfrigérateur. • Vérifier si l'appareil est au niveau.

Préparatifs avant le départ en vacances ou un déménagement

Longues vacances

Si les vacances durent un mois ou plus :

1. Retirer tous les aliments du réfrigérateur.
2. Si votre réfrigérateur est équipé d'une machine à glaçons :
 - Fermer l'approvisionnement d'eau de la machine à glaçons au moins une journée à l'avance.
 - Lorsque tous les glaçons sont épuisés, mettre hors circuit la machine à glaçons.
3. Débrancher le réfrigérateur.
4. Le nettoyer, le rincer à fond et l'essuyer.
5. À l'aide de ruban adhésif, fixer des blocs de caoutchouc ou de bois à la partie supérieure de chaque porte de façon à ce qu'elles soient suffisamment ouvertes pour permettre la circulation de l'air à l'intérieur, afin d'éviter l'accumulation d'odeurs ou de moisissure.

⚠ AVERTISSEMENT

Risque de blessures

Ne pas laisser les enfants monter sur le réfrigérateur, jouer près ou à l'intérieur du réfrigérateur lorsque les portes sont ouvertes et n'ont pas été enlevées.

Ils peuvent se blesser ou s'enfermer.

Pour remettre le réfrigérateur en marche, consulter la page 5.

Courtes vacances

Il n'est pas nécessaire de débrancher le réfrigérateur pour une absence de moins de quatre semaines.

1. Consommer les aliments périssables.
2. Faire congeler les autres.
3. Si votre réfrigérateur est équipé d'une machine à glaçons :
 - Soulever le bras de commande et mettre hors circuit la machine à glaçons.
 - Fermer l'approvisionnement d'eau de la machine à glaçons.

Déménagement

1. Si votre réfrigérateur est équipé d'une machine à glaçons :
 - Fermer l'approvisionnement d'eau de la machine à glaçons au moins une journée à l'avance.
 - Débrancher la canalisation d'eau.
 - Une fois la glace épuisée, soulever le bras de commande et mettre hors circuit la machine à glaçons.
2. Retirer tous les aliments.
3. Emballer les aliments congelés dans de la neige carbonique.
4. Débrancher le réfrigérateur.
5. Le nettoyer à fond. Essuyer et sécher à fond.
6. Retirer toutes les pièces amovibles, bien les envelopper et les attacher ensemble à l'aide de ruban adhésif pour qu'elles ne bougent ni ne s'entrechoquent.
7. Visser les roulettes de nivellement.
8. Fermer les portes à l'aide de ruban adhésif et fixer le cordon d'alimentation à la caisse.

Lorsque vous arriverez dans votre nouveau domicile, remettre tout en place et se référer à la page 4. Aussi, rebrancher l'approvisionnement d'eau à la machine à glaçons si votre réfrigérateur est équipé d'une machine à glaçons.

Pannes de courant

En cas de panne de courant, téléphoner à la régie d'électricité pour s'enquérir de la durée de la panne.

1. Si le service doit être interrompu durant 24 heures ou moins, **garder fermées les deux portes**. Ceci permettra d'éviter que les aliments dégèlent.
2. Si le service doit être interrompu durant plus de 24 heures :
 - (a) Retirer tous les aliments congelés et les déposer dans un entrepôt frigorifique.

OU

- (b) Placer 900 g de neige carbonique par litre (2 lb par pied cube) d'espace de congélation. Cela permettra de garder les aliments congelés durant 2 à 4 jours. Porter des gants pour se

protéger les mains contre les morsures de la neige.

OU

- (c) S'il n'y a pas d'entrepôt frigorifique ni de neige carbonique, consommer ou mettre immédiatement en conserve les aliments périssables.
3. Un congélateur plein restera froid plus longtemps qu'un congélateur à moitié rempli. Un congélateur plein de viande restera froid plus longtemps qu'un congélateur rempli de pains et pâtisseries. Si les aliments contiennent des cristaux de glace, ils peuvent être remis à congeler sans danger même si leur qualité et saveur risquent d'être inférieures. Si les aliments semblent de piètre qualité ou douteux, les jeter.

Conservation des aliments

Il existe une façon correcte d'emballer et de conserver des aliments au réfrigérateur et au congélateur. Si vous voulez que vos aliments restent plus frais plus longtemps, prenez le temps d'étudier les suggestions suivantes.

Conservation des aliments frais

Les aliments placés au réfrigérateur doivent être enveloppés ou gardés dans un emballage hermétique et à l'épreuve de l'humidité. Cela empêche l'odeur et le goût des aliments de se répandre dans tout le réfrigérateur. Pour des produits datés, vérifier les dates indiquées pour s'assurer de la fraîcheur des aliments.

Légumes à feuilles

Retirer l'emballage original et éliminer les taches ou zones décolorées. Laver à l'eau froide et égoutter. Placer dans un sac ou un contenant en plastique et ranger dans le bac à légumes.

Légumes à pelure (carottes, poivrons)

Ranger dans le bac à légumes, un sac ou un contenant en plastique.

Fruits

Laver, laisser sécher et mettre au réfrigérateur dans un sac en plastique ou le bac à légumes. Ne pas laver ni équeuter les petits fruits avant le moment de leur utilisation. Les trier et les conserver dans l'emballage du magasin, dans le bac à légumes, ou les conserver sur une clayette du réfrigérateur dans un sac en papier fermé sans être serré.

Oeufs

Ranger sans laver dans le carton original, sur la clayette intérieure. Sur certains modèles, un contenant pour les oeufs est aussi fourni.

Lait

Essuyer le contenant. Pour qu'il se conserve mieux, placer le lait sur la clayette intérieure.

Beurre ou margarine

Garder le beurre entamé dans un beurrier muni d'un couvercle ou dans le compartiment universel. Envelopper les quantités supplémentaires dans un emballage pour congélateur et les faire congeler.

Fromage

Le conserver dans son emballage original jusqu'à l'emploi. Une fois le paquet ouvert, réemballer hermétiquement le fromage dans une pellicule plastique ou du papier d'aluminium.

Restes

Couvrir les restes avec de la pellicule plastique ou du papier d'aluminium. Il est aussi convenable d'utiliser des contenants en plastique à couvercle hermétique.

Viande

La plupart des viandes peuvent être conservées dans leur emballage original tant que cet emballage est hermétique et à l'épreuve de l'humidité. Emballer de nouveau si nécessaire. Voir le tableau suivant pour les périodes de conservation. Si la viande doit être conservée durant une période plus longue, suivre les instructions relatives à la congélation.

Poulet	1-2 jours	Bacon	5-7 jours
Boeuf haché	1-2 jours	Charcuteries	3-5 jours
Biftecks/rôtis	3-5 jours	Abats	1-2 jours
Viandes salées	7-10 jours		

REMARQUE : Les poissons et fruits de mer frais devraient être consommés le jour même de l'achat.

Conservation des aliments congelés

Le compartiment congélateur est conçu pour conserver les aliments surgelés en usine ou pour faire congeler de la nourriture.

REMARQUE : Pour d'autres renseignements au sujet de la préparation des aliments pour la congélation, consulter un guide de congélation ou un livre de cuisine.

Emballage

Le secret de la congélation efficace réside dans l'emballage. Il doit être fermé et scellé de façon à prévenir la pénétration et l'évacuation d'air ou d'humidité. Toute autre méthode d'emballage risque d'entraîner la propagation de saveurs et d'odeurs dans tout le réfrigérateur et l'assèchement des aliments congelés.

Emballage recommandé :

- Contenants en polyéthylène (plastique) rigide munis de couvercles hermétiques
- Bocaux de conserve/congélation à bord droit
- Papier d'aluminium résistant
- Papier recouvert de plastique
- Emballages en plastique étanches (faits à partir d'une pellicule saran)

Suivre les instructions de l'emballage ou du contenant pour les méthodes de congélation correctes.

Ne pas utiliser :

- Emballages pour pain
- Contenants en plastique autres qu'en polyéthylène
- Contenants non munis d'un couvercle hermétique
- Papier paraffiné
- Emballages pour congélateur enduits de cire
- Emballages minces semi-perméables

Leur emploi risque de donner lieu à des transferts d'odeurs et de saveurs et à l'assèchement des aliments congelés.

Congélation

Le congélateur ne congèle pas rapidement de grandes quantités d'aliments. Veiller à ce que la quantité d'aliments ne prenne pas plus de 24 heures à congeler (au plus 32 à 48 g d'aliments par litre [2 à 3 livres par pied cube] d'espace). Laisser suffisamment d'espace pour permettre la circulation d'air entre les aliments. S'assurer aussi de laisser assez d'espace à l'avant pour que la porte ferme hermétiquement.

La période de conservation varie selon la qualité des aliments, le type d'emballage ou de pellicule utilisé (hermétique) et la température de conservation, qui devrait être de -17,8 °C (0 °F).

Dépannage

Les problèmes de performance sont souvent dus à des petits détails que vous êtes en mesure de détecter et de régler vous-même sans outils d'aucune sorte. Avant de contacter le service de dépannage, veuillez lire ci-dessous la section "Avant de faire un appel de service..."

Avant de faire un appel de service...

Le tableau ci-dessous présente une liste des problèmes auxquels les utilisateurs des appareils ménagers sont le plus souvent confrontés. Les solutions suggérées vous permettront peut-être de résoudre votre problème actuel.

PROBLÈME	VÉRIFIER LES POINTS SUIVANTS
Le réfrigérateur ne fonctionne pas	Le cordon d'alimentation est-il branché dans un circuit sous tension de voltage approprié? Un fusible a-t-il sauté ou le disjoncteur s'est-il déclenché? La commande du réfrigérateur est-elle à la position ARRÊT (OFF)?
Les ampoules n'éclairent pas	Le cordon d'alimentation est-il branché dans un circuit sous tension de voltage approprié? Un fusible a-t-il sauté ou le disjoncteur s'est-il déclenché? Une ampoule est-elle grillée?
La machine à glaçons ne fonctionne pas	Le congélateur est-il suffisamment froid? Permettre au congélateur d'atteindre la température correcte. Ceci peut prendre une nuit. Le levier de la machine à glaçons est-il en position MARCHÉ (ON) (en bas)? (Voir page 8.) La valve d'arrivée d'eau est-elle ouverte? La canalisation d'eau est-elle bouchée ou fuit-elle?
Le réfrigérateur fait des bruits inhabituels	Y a-t-il quelque chose sur ou derrière le réfrigérateur? Certains nouveaux bruits sont normaux. Consulter la section "Les bruits de l'appareil" à la page 13.
Le plateau de dégivrage contient de l'eau	Ceci est normal par temps chaud et humide. S'assurer que le plateau est de niveau de façon à ce qu'il ne déborde pas.
Le moteur semble fonctionner trop souvent	Les serpentins du condenseur sont-ils sales? La porte est-elle ouverte fréquemment? Une grande quantité d'aliments a-t-elle été ajoutée d'un coup? Le moteur fonctionne évidemment plus longtemps dans ces cas. La pièce est-elle chaude? Si la pièce est trop chaude, le moteur tourne plus longtemps pour conserver l'appareil froid.

Appel d'aide ou de service

Avant de contacter le service de dépannage, veuillez voir "Dépannage" à la page 18. Cela pourrait vous économiser le coût d'un appel de service.

1. Si la cause du problème n'est pas indiquée dans la rubrique "Dépannage", contacter le marchand qui vous a vendu l'appareil ou votre succursale de service Inglis Limitée la plus proche. Veuillez inclure un numéro de téléphone où l'on peut vous atteindre pendant la journée.



2. Si vous avez besoin de service, contacter votre succursale de service Inglis Limitée ou un centre de service autorisé.



REMARQUE : Lorsque vous appelez la service de dépannage, veuillez inclure une description détaillée du problème, les numéros de modèle et de série, et la date d'achat. Ces renseignements sont nécessaires pour répondre rapidement à votre demande.

Inglis Limitée service d'appareils ménagers – Service aux consommateurs

Succursales de service direct :

COLOMBIE-BRITANNIQUE	Vancouver	Inglis Limitée Service d'appareils ménagers 3627 E. 4th Avenue	(604) 291-6426 1-800-665-6788
	Victoria	Inglis Limitée Service d'appareils ménagers 3117 Steele Street	(604) 383-2298 1-800-665-6788
ALBERTA	Calgary	Inglis Limitée Service d'appareils ménagers #15, 6025 12th Street S.E.	(403) 453-9267 1-800-661-1022
	Edmonton	Inglis Limitée Service d'appareils ménagers 16236 116th Avenue	(403) 453-3900 1-800-661-6291
ONTARIO	Toronto (Mississauga)	Inglis Limitée Service d'appareils ménagers 5945 Ambler Drive	(905) 821-3900 1-800-807-6777
	Toronto (Markham)	Inglis Limitée Service d'appareils ménagers Unit #1, 110 Torbay Road	(905) 475-9511 1-800-807-6777
	Ottawa	Inglis Limitée Service d'appareils ménagers 28 Capital Drive	(613) 225-0510 1-800-267-3456
MANITOBA	Winnipeg	Inglis Limitée Service d'appareils ménagers 1683 Church Avenue	(204) 694-5308 1-800-665-1683
QUÉBEC	Montréal (Laval)	Inglis Limitée Service d'appareils ménagers 2750, ave Francis-Hughes	(514) 382-8110 1-800-361-3032
	Brossard	Inglis Limitée Service d'appareils ménagers 9605 F, rue Ignace	(514) 397-1840 1-800-361-0950
	Québec	Inglis Limitée Service d'appareils ménagers 5275, boul. Wilfrid-Hamel, Bureau 140	(418) 871-5251 1-800-463-1523
	Sherbrooke (Rock Forest)	Inglis Limitée Service d'appareils ménagers 3475, boul. Industriel	(819) 564-6565 1-800-567-6966
NOUVELLE-ÉCOSSE	Dartmouth	Inglis Limitée Service d'appareils ménagers 900 Windmill Road	(902) 468-6634 1-800-565-1598
SASKATCHEWAN	Regina	Inglis Limitée Service d'appareils ménager	1-800-665-1683
	Saskatoon	Inglis Limitée Service d'appareils ménagers	1-800-665-1683

Pour obtenir des services techniques en dehors des centres mentionnés, contactez votre marchand d'appareils ménagers.

Garantie

Cher client,

Une bonne performance. Voilà l'objet de notre garantie. Et voici comment est protégée la performance que vous attendez de votre réfrigérateur.

GARANTIE DE VOTRE RÉFRIGÉRATEUR

Au cours de la première année suivant l'achat, toutes les pièces de l'appareil présentant un vice de matériau ou de fabrication seront réparées ou remplacées gratuitement (pièces et main-d'oeuvre).

Au cours des cinq premières années suivant l'achat, toutes les pièces du système étanche de réfrigération comprenant compresseur, condenseur, évaporateur et tubulure, qui présenteront un vice de matériau ou de fabrication, seront réparées ou remplacées gratuitement.

Au cours de la sixième jusqu'à la dixième année inclusivement suivant l'achat, si le compresseur fait défaut par suite de matériaux ou de main-d'oeuvre défectueux, le compresseur sera réparé ou remplacé et vous ne paierez que les frais de main-d'oeuvre.

Des frais de voyage ou de transport peuvent être facturés dans le cas où le client habite dans un endroit éloigné.

Les pièces réparées ou remplacées conformément à la présente garantie ne seront garanties que pour le reste de la période de garantie initiale.

Cette protection couvre l'utilisation domestique de l'appareil. La même protection s'applique à tout propriétaire ultérieur au cours de la garantie applicable, d'après la date d'achat par le propriétaire initial.

Cette garantie ne couvre pas les dommages encourus à la suite d'accident, mauvaise utilisation, installation inadéquate, incendie, inondation ou désastres naturels.

La présente constitue la seule garantie du fabricant couvrant cet appareil.

Les dispositions de cette garantie constituent une addition et non une modification ou une déduction des garanties légales et autres droits et recours faisant partie de toute loi applicable.

Parlons maintenant de l'entretien. Si votre appareil ne fonctionne pas bien, consulter "Dépannage" (page 18) pour déterminer s'il est possible de résoudre le problème sans l'assistance d'un technicien. Si tel n'est pas le cas, veuillez prendre contact immédiatement avec le détaillant chez qui l'appareil a été acheté ou avec l'un de nos Centres de service appartenant à la compagnie ou avec des centres de dépôts de la compagnie situés dans tout le Canada.

Veillez conserver votre reçu d'achat avec le Guide d'utilisation et d'entretien. Il est bon de pouvoir compter sur cette protection, même si vous n'avez jamais besoin de vous en servir.

Sincèrement,

INGLIS LIMITÉE
CENTRE D'ADMINISTRATION
1901 MINNESOTA COURT
MISSISSAUGA, ONTARIO L5N 3A7

Lo invitamos a leer este manual de uso y manejo antes de utilizar su refrigerador Whirlpool. Es muy importante seguir esta información con el objeto de hacer un uso seguro y apropiado de su aparato.

Indice

	Página		Página
Seguridad del Refrigerador	3	Conexión de la fábrica hielo al suministro de agua	10
Partes y Características	4	Conexión de la tubería de agua	11
Antes de Usar su Refrigerador	5	Conexión al refrigerador	12
Como Usar su Refrigerador	7	Como cambiar los focos	12
Como poner en posición los controles	7	Sonidos provenientes de su refrigerador	13
Como quitar las parrillas del refrigerador	7	Ahorro de energía	13
Como quitar el cajón para carne y la tapa	8	Como cambiar la abertura de la puerta	13
Como quitar el cajón para legumbres y la tapa	8	Cuidado de su Refrigerador	14
Como quitar la parrilla del congelador	9	Guía para la Conservación de los Alimentos	16
Uso de charolas para hielo	9	Localización y Reparación de Averías	18
Como usar la fábrica de hielo automática opcional	9	Póliza de Garantía	19

APLICA SOLO EN MEXICO

IMPORTADO POR:
Vitromatic Comercial, S.A. de C.V.
Ave. San Nicolás 2121 Nte.
Col. 1o. de Mayo
Monterrey, N.L. México
Tel. 329-22-00

FABRICADO POR:
Whirlpool Corporation
Benton Harbor, Michigan
USA

AVISO IMPORTANTE

Estimado Cliente: Para que la conexión de su aparato se efectúe a la mayor brevedad y sin contratiempos, le recomendamos tener listos los siguientes requisitos.

REQUERIMIENTOS	REFRIGERADORES	REFRIGERADORES con fábrica de hielo
I. DE ENERGIA ELECTRICA		
Voltaje 127 Volts con fusible de 15 amperes	•	•
Contacto de 3 polos	•	•
Circuito individual para el aparato	•	•
Regulador de voltaje	•	•
II. DE AGUA		
Toma de agua fría		•
III. MATERIALES PARA INSTALACION DE AGUA		
Unión "T" de 1,27 cm a 0,635 cm (1/2" a 1/4")		•
Tubo de cobre de 0,635 cm (1/4") en espiral (según distancia)		•
FILTRO DE AGUA WHIRLPOOL		•
3 tuercas campana de 0,635 cm (1/4")		•

Nota: La conexión de su aparato por el Centro de Servicio no incluye instalación de fontanería, albañilería, cableado eléctrico.

ESPECIFICACIONES TECNICAS

Potencia nominal: 8,5 Watts

Frecuencia de operación: 60 Hz

Tension de alimentación: 127 Volts

ESTE MANUAL DE USO Y MANEJO APLICA PARA
LOS SIGUIENTES MODELOS: ET14NK, ET14JK,
ET14JM, ET14HJ

Seguridad del Refrigerador

Su seguridad es importante para nosotros.

Esta guía contiene declaraciones bajo símbolos de advertencia. Por favor ponga atención especial a éstos y siga cualquier instrucción proporcionada. Aquí está una explicación rápida de el uso de este símbolo.

ADVERTENCIA

Este símbolo lo alertará y dará explicación para evitar un posible daño personal, como quemadura o corto circuito.

INSTRUCCIONES IMPORTANTES DE SEGURIDAD

ADVERTENCIA

Para reducir el riesgo de incendio, choque eléctrico o lesión cuando use su refrigerador, siga estas precauciones básicas:

- Lea todas las instrucciones antes de usar el refrigerador.
 - Los niños que se asfixian o quedan atrapados dentro de un refrigerador no son problemas del pasado. Los refrigeradores que son abandonados o desechados aún constituyen un peligro ... aún si se "dejan en el garaje por sólo unos días."
Si usted va a descartar su refrigerador antiguo, hágalo de manera segura. Lea el folleto sobre seguridad que se adjunta publicado por la Asociación de Fabricantes de Aparatos Domésticos. Ayude a evitar accidentes.
 - Nunca permita que los niños hagan funcionar, jueguen o se escondan en el interior del refrigerador.
 - Nunca limpie las piezas del refrigerador con líquidos inflamables. Los vapores pueden causar incendios o explosiones.
- PARA SU SEGURIDAD •
- NO ALMACENE O USE GASOLINA NI LIQUIDOS INFLAMABLES EN LA PROXIMIDAD DE ESTE O DE CUALQUIER OTRO ARTEFACTO. EXISTE EL PELIGRO DE QUE LOS VAPORES PROVOQUEN UN INCENDIO O UNA EXPLOSION.**

– CONSERVE ESTAS INSTRUCCIONES –

Ayúdenos a ayudarle

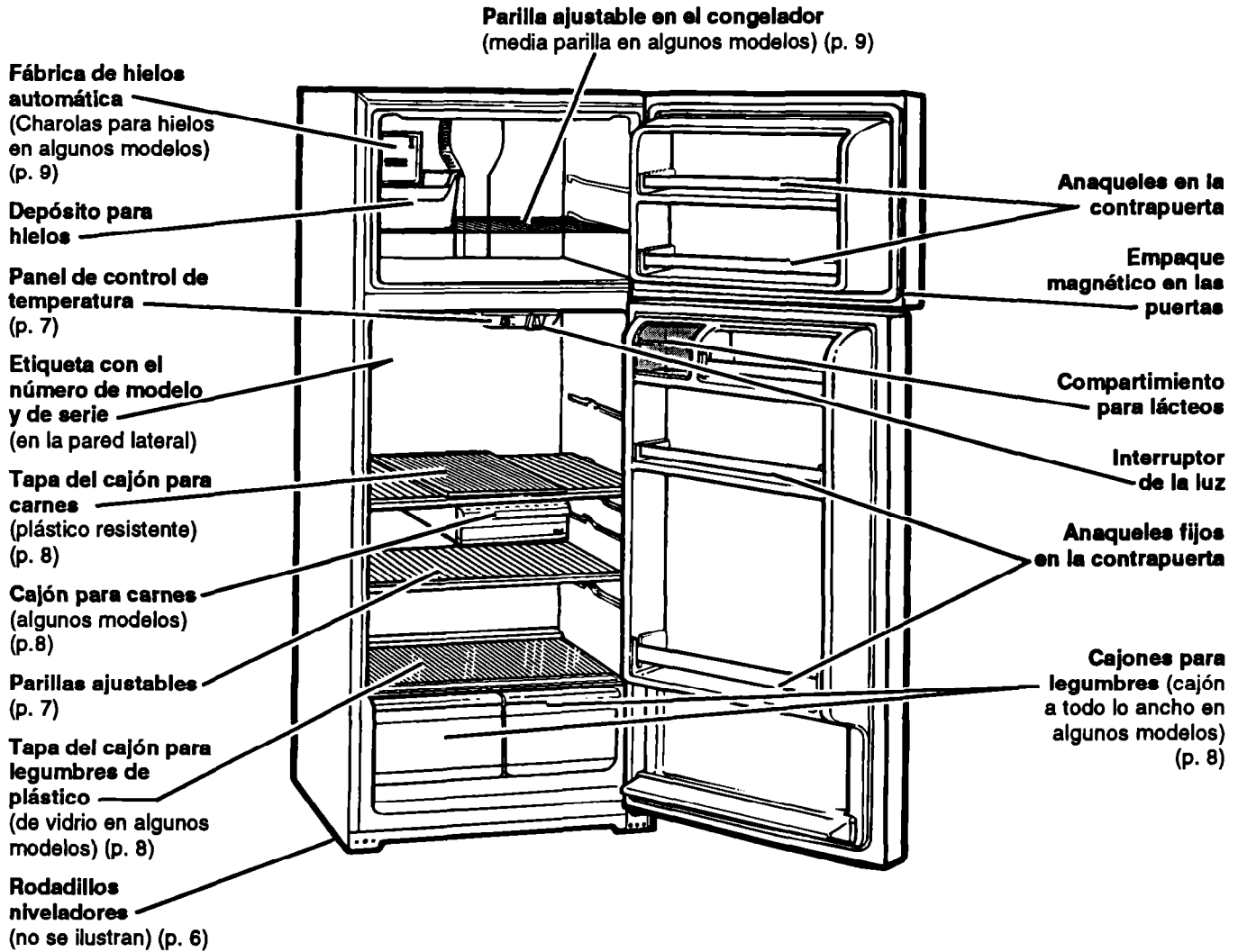
Le rogamos seguir las siguientes recomendaciones:

- Instale y nivele el refrigerador en una superficie que pueda soportar su peso y en un área que sea adecuada para su tamaño y uso.
- No instale el refrigerador cerca de un horno, radiador u otra fuente de calor.
- No use el refrigerador en un área donde la temperatura ambiente puede ser inferior a 13°C (55°F).
- Mantenga el refrigerador protegido contra cambios de clima.
- Conecte el refrigerador solamente al tipo de tomacorriente adecuado, con la fuente de energía y debidamente aterrizado. (Consulte la hoja de instrucciones sobre los Requerimientos Eléctricos y Aterrizado.)
- No guarde alimentos en el refrigerador hasta que no esté completamente frío.
- Use el refrigerador de acuerdo a las instrucciones de este manual.
- Preocúpese del mantenimiento adecuado del refrigerador.
- Asegúrese de que el refrigerador no sea usado por alguna persona que no esté capacitada para hacerlo en forma debida.

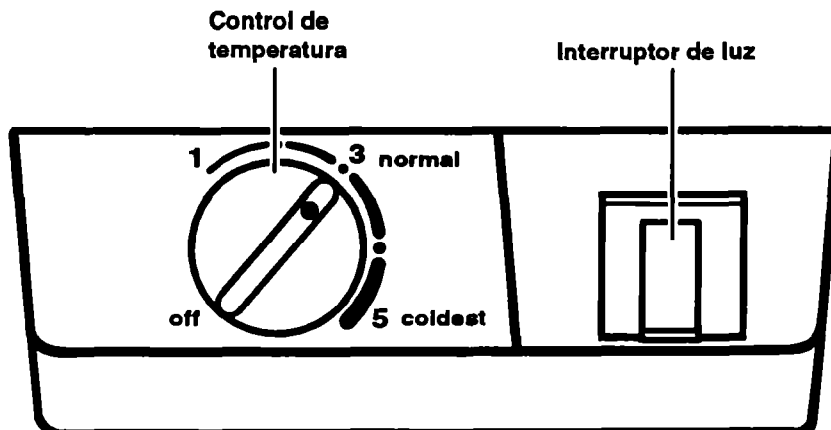
Partes y Características

Esta sección contiene las ilustraciones y los nombres de las partes de su refrigerador. Uselas para familiarizarse con la ubicación, características y apariencia de las partes. Para su conveniencia, se han indicado también los números de las páginas correspondientes.

NOTA: El modelo que usted ha comprado puede tener todas o algunas de las partes y características que se muestran y puede que no coincida exactamente con la ilustración. Este manual abarca varios modelos.



Panel de control de temperatura



Antes de Usar su Refrigerador

Es importante que prepare su refrigerador para usarlo. Esta sección le explica como limpiarlo, conectarlo a la fuente de energía, instalarlo y nivelarlo.

Limpieza de su refrigerador

Retire las etiquetas comerciales

Retire cualquier etiqueta interior (excepto la etiqueta con el número de modelo y de serie) antes de usar el refrigerador.

Como quitar los restos de goma:

- Frote fuertemente con el pulgar para formar una bolita y luego quítela.
-
- Humedezca el área con detergente líquido para lavar platos y luego quite la goma como se describió anteriormente. No use instrumentos afilados, alcohol, líquidos inflamables o limpiadores abrasivos.

Estos pueden dañar el material. Ver "Instrucciones Importantes de Seguridad" en la página 3.

NOTA: No quite las etiquetas con instrucciones permanentes colocadas dentro del refrigerador. No quite la Ficha Técnica colocada bajo el refrigerador, en la parte delantera.

Limpieza antes del uso

Después de quitar todos los materiales de empaque, limpie su refrigerador antes de usarlo, si es necesario. Vea las instrucciones de limpieza en la página 14.



Como Enchufar su Refrigerador

Método Recomendado para el Aterrizado

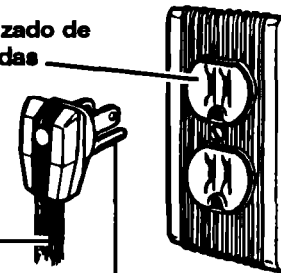
Se requiere una fuente de energía eléctrica de 127 Volts, 60 Hz, CA ~ solamente con fusibles de 15 o 20 amperes y debidamente aterrizado. Se recomienda que use un circuito separado exclusivo para este aparato. Use un tomacorriente que no pueda ser puesto fuera de circuito con un interruptor o con una cadena. No use un cordón de extensión.

Ver los Requerimientos Eléctricos y las Instrucciones para el Aterrizado incluidos en la documentación.

Tomacorriente aterrizado de pared con tres entradas

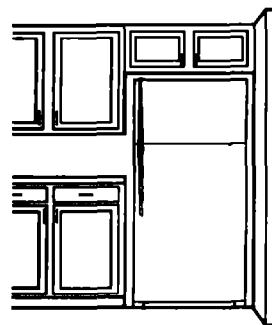
Cable de energía eléctrica del refrigerador

Clavija tripolar aterrizada



Instalación correcta

1. Deje un espacio de 1,25 cm (1/2") a cada lado y en la parte superior del refrigerador para facilitar la instalación.
2. Si el lado de las bisagras del refrigerador va a estar contra una pared, usted debe dejar espacio adicional para abrir mejor la puerta.
3. La parte trasera del refrigerador puede quedar directamente contra la pared.



Nivelación

Su refrigerador tiene 2 rodadillos delanteros regulables para evitar la desnivelación en pisos no parejos.

Para regular los rodadillos:

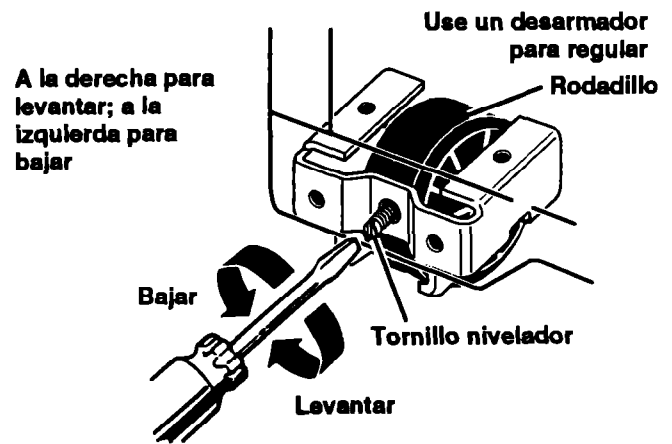
1. Ruede el refrigerador a su lugar.
2. Regule los rodadillos girando los tornillos niveladores, situados en la parte delantera de la base.

- Gire a la derecha para levantar.
- Gire a la izquierda para bajar.

NOTA: Los rodadillos están regulados correctamente cuando el refrigerador no se mueve cuando se abren y cierran las puertas.

3. Repita este procedimiento cada vez que mueva el refrigerador.

NOTA: Si desea que las puertas cierren más fácilmente, use los rodadillos para levantar ligeramente la parte delantera del refrigerador.



Como Usar su Refrigerador

Para obtener los mejores resultados posibles de su refrigerador, es importante que usted lo haga funcionar en forma debida. Esta sección le explica como ajustar los controles, como sacar y ajustar los componentes de su refrigerador y como ahorrar energía.

Como poner en posición los Controles

Los controles del refrigerador y congelador están en el interior del refrigerador. Al enchufar el refrigerador por la primera vez:

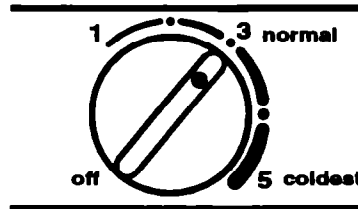
- **Coloque el Control de la Temperatura en 3 (normal).** Los límites del control de la temperatura son desde 1 (menos frío) hasta 5 (más frío).

NOTA: Al girar el Control de la Temperatura a la posición OFF (apagado), se detiene el enfriamiento en el refrigerador y en el congelador, pero no desconecta al refrigerador de la corriente eléctrica.

Espere hasta que el refrigerador se enfríe completamente antes de colocar alimentos. Esto puede llevar varias horas.

Los ajustes que se indican anteriormente son correctos para el uso doméstico normal del refrigerador. Los controles estarán ajustados a la temperatura correcta cuando la leche o el jugo está tan frío como a usted le agrada y cuando el helado está firme.

NOTA: El control incorporado de la humedad exterior protege continuamente contra la humedad que se acumula en el exterior del gabinete del refrigerador.



Como quitar las parrillas del refrigerador

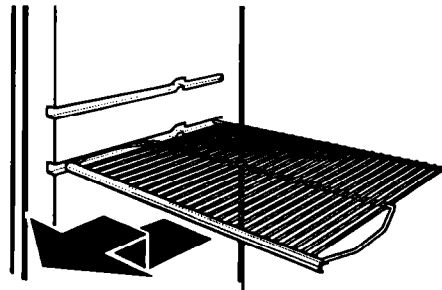
Ajuste las parrillas del refrigerador de acuerdo a la manera que usted prefiera.

Para quitar las parrillas:

1. Saque todos los artículos de la parrilla.
2. Deslice la parrilla derecho hacia afuera hasta el tope.
3. Levante la parte trasera para que quede sobre el tope.
4. Deslice la parrilla hacia afuera completamente.

Para colocar las parrillas:

1. Coloque la parte posterior de la parrilla sobre la guía situada en la pared del gabinete.
2. Guíe la parte delantera de la parrilla hacia dentro de la guía.
3. Deslice la parrilla hasta el fondo.



Como quitar el cajón para carne y la tapa

(en algunos modelos)

Para quitar el cajón para carne:

1. Deslice el cajón para carne hacia afuera hasta el tope.
2. Levante la parte delantera del cajón para carne.
3. Deslice el cajón para carne completamente hacia afuera.
4. Vuelva a colocar en el orden inverso.

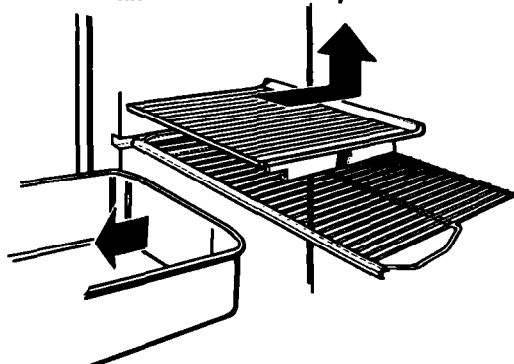
Para quitar la tapa:

1. Saque el cajón para carne.
2. Empuje la tapa hacia atrás para desenganchar los sujetadores traseros.
3. Incline hacia arriba la parte delantera de la tapa.
4. Tire la tapa hacia afuera en línea recta.

Para colocar la tapa:

1. Alinee las ranuras y los sujetadores de la parte inferior de la tapa sobre las barras traseras centrales de la parrilla.
2. Haga descender la tapa a su lugar.
3. Tire la tapa hacia adelante para que los sujetadores traseros aseguren la tapa.
4. Vuelva a colocar el cajón para carne.

Saque el cajón para carne antes de sacar la tapa.



Como quitar el cajón para legumbres y la tapa

Para quitar el (los) cajón(es) para legumbres:

1. Deslice el (los) cajón(es) derecho hacia afuera hasta el tope.
2. Levante la parte delantera.
3. Deslice el cajón hacia afuera completamente.
4. Vuelva a colocar en orden inverso.

Para quitar la tapa:

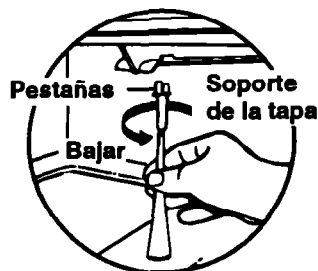
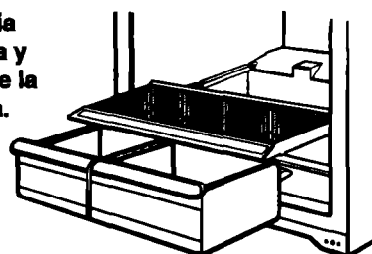
1. Levante hacia arriba la tapa y saque el soporte de la tapa.
2. Levante la tapa hacia arriba y deslícela hacia afuera.

Para colocar la tapa:

1. Enganche las orillas de la tapa en las ranuras más bajas del gabinete y empuje hacia adentro.
2. Inserte el soporte de la tapa (con la pestaña larga hacia la parte delantera) en la muesca situada en la cara inferior de la tapa.

NOTA: Si el soporte necesita ajuste, gire la base a la derecha para levantar o a la izquierda para bajar.

Levante hacia arriba la tapa y luego levante la parte trasera.



Como quitar la parrilla del congelador

(en algunos modelos)

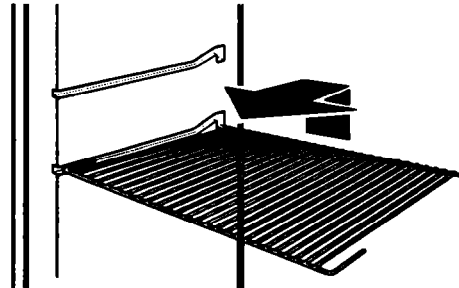
Saque la parrilla del congelador para facilitar la limpieza.

Para quitar la parrilla:

1. Saque los artículos que están en parrilla.
2. Levante la parte trasera de la parrilla para que quede sobre el tope.
3. Deslice la parrilla derecho hacia afuera.

Para colocar la parrilla:

1. Deslice la parte trasera de la parrilla en las guías de la parrilla situadas en las paredes del gabinete.
2. Deslice la parrilla hacia adentro hasta el fondo.

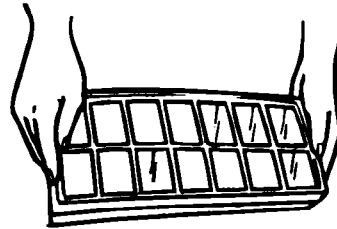


Uso de las charolas para hielo

Si no se usan los cubos de hielo, su tamaño se reduce. El aire frío que circula produce una evaporación lenta. Mientras más tiempo pasa sin usar los cubos, más pequeños se quedarán.

Para sacar el hielo:

1. Sujete la charola por ambos extremos.
2. Tuerza levemente.



Como usar la fábrica de hielo automática opcional

Si su refrigerador tiene una fábrica de hielo automática o si usted intenta agregar una más tarde (póngase en contacto con el distribuidor para obtener el número de la pieza), a continuación se incluye cierta información que usted debe saber.

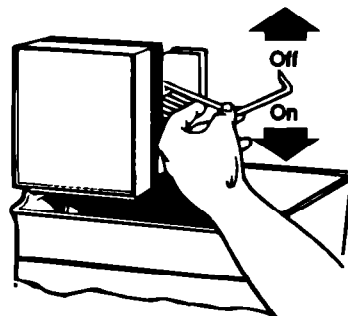
- La palanca ON/OFF es un brazo de control eléctrico.

Cuando está en la posición HACIA ABAJO (on/ encendido) se fábrica hielo automáticamente

Cuando está en la posición HACIA ARRIBA (off/ apagado) se fábrica de hielo queda desconectada.

IMPORTANTE: No ponga en marcha la fábrica de hielo hasta que no haya sido conectado al suministro de agua.

- Si usted saca el depósito del hielo, levante la palanca para desconectar la fábrica. Cuando vuelva a colocar el depósito, empújelo hasta adentro y baje la palanca a la posición ON (encendido).
- Para obtener hielo de buena calidad es necesario que el agua sea también de buena calidad. Se recomienda no conectar la fábrica de hielo a un suministro de agua suave. Los productos químicos del purificador del agua (tal como la sal proveniente de un purificador que esté funcionando mal) pueden dañar el molde de la fábrica de hielo y producir hielo de mala calidad. Si usted no puede evitar usar un suministro de agua suave, asegúrese de que el purificador del agua esté funcionando debidamente y sea bien mantenido.



ARRIBA
para no
fabrica
hielo.

ABAJO
para fabrica
hielo.

Solución a problemas comunes de la fábrica de hielo

PROBLEMA	POSIBLE CAUSA/SOLUCION
Los cubos de hielo se unen en las esquinas	<ul style="list-style-type: none"> • Esto es normal. Ellos se separan fácilmente. Agite el depósito ocasionalmente para mantener los cubos separados.
La fábrica de hielo no funciona o la fabricación es lenta	<ul style="list-style-type: none"> • La palanca de ON/OFF (encendido/apagado) está en la posición OFF (HACIA ARRIBA). Baje la palanca a la posición ON (HACIA ABAJO). • El congelador no está bastante frío. Ajuste los controles de la temperatura y espere 24 horas. (Ver "Como poner en posición de los controles" en la página 7.)
Olor y sabor desagradable del hielo	<ul style="list-style-type: none"> • Las conexiones de la plomería nueva pueden hacer que el hielo tenga olor o sabor desagradable. no use los primeros lotes de hielo. • Los cubos no están frescos. Descártelos y haga nuevos cubos de hielo. • Los alimentos en el congelador no están debidamente envueltos. Ver página 16. • El congelador y el depósito del hielo necesitan limpieza. Ver página 14.

Conexión de la fábrica de hielo al suministro de agua

Lea cuidadosamente todas las instrucciones antes de comenzar.

⚠ ADVERTENCIA

Riesgo de Choque Eléctrico

- Desconecte la energía eléctrica hacia el refrigerador antes de la instalación.
- El taladro eléctrico debe estar debidamente puesto a tierra antes de hacer los orificios en la tubería del agua.

El incumplimiento de estas instrucciones puede ocasionar choque eléctrico, lesión grave o la muerte.

NOTA: Su distribuidor de aparatos eléctricos tiene disponible un paquete con una válvula de cierre de silla de 0,635 cm (1/4"), una unión y tubería de cobre. Antes de adquirirla asegúrese de que la válvula de silla cumple los códigos de plomería locales. No utilice una válvula de tipo perforante o una válvula de silla de 0,45 cm (3/16") pues reduce el flujo de agua y se obstruye más fácilmente.

Suministro de agua fría

La válvula del agua de la fábrica de hielo está provista de una arandela de flujo que se usa como un regulador de la presión del agua. La fábrica de hielo debe ser conectada a una tubería de agua fría con límites de presión del agua de 20-120 lbs/pulg.². Si se produce algún problema llame a su compañía de agua potable.

IMPORTANTE:

- Use tubería de cobre solamente y verifique si hay fugas.
- Instale la tubería de la fábrica de hielo en lugares donde las temperaturas serán superiores a la temperatura de congelación.

HERRAMIENTAS NECESARIAS:

- Desarmador estándar
- Llaves de boca de 1,09 cm (7/16") y 1,27 cm (1/2") o 2 llaves ajustables
- Llave de tuerca de 0,635 cm (1/4")
- Broca de taladro de 0,635 cm (1/4")
- Taladro manual o taladro eléctrico (debidamente puesto a tierra)

IMPORTANTE:

- Su fábrica de hielo puede demorar hasta 24 horas en comenzar a producir hielo.
- Si se usa el refrigerador antes de instalar la conexión del agua, coloque la fábrica de hielo en la posición OFF para evitar que funcione sin agua.
- Todas las instalaciones deben ser hechas de acuerdo con los códigos de plomería local.

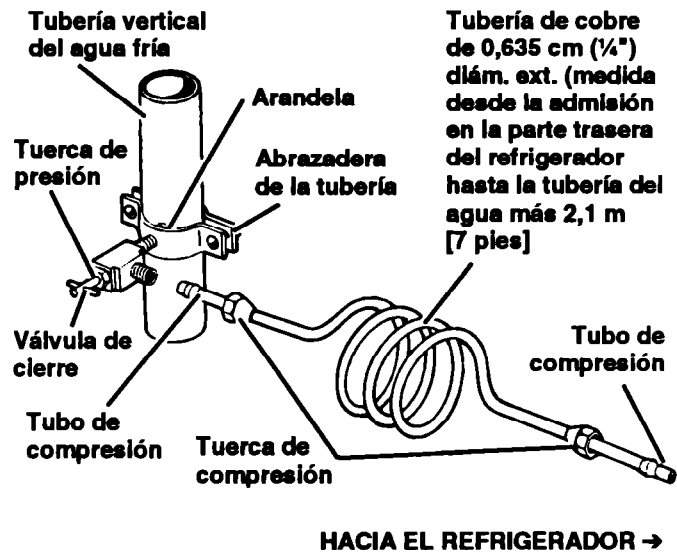
**LA INSTALACION NO ES GARANTIZADA
POR EL FABRICANTE DEL REFRIGERADOR
O DE LA FABRICA DE HIELO**

Conexión de la tubería del agua

1. Busque una tubería vertical de agua FRIA de 1,27 cm (1/2") a 3,17 cm (1 1/4") cerca del refrigerador.

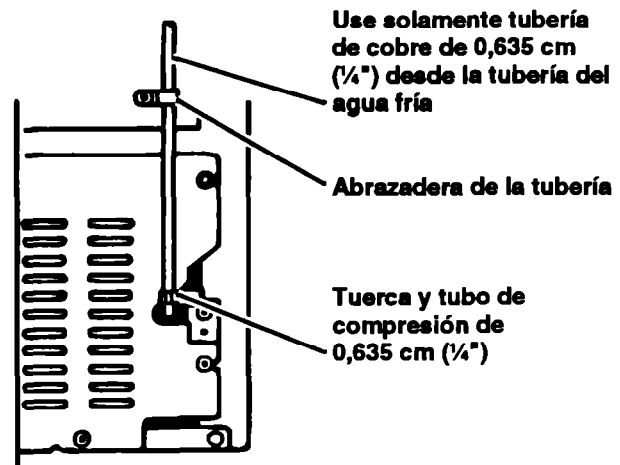
NOTA: Una tubería horizontal puede servir, pero se debe tomar las siguientes precauciones: Taladre en el lado superior de la tubería, no en la parte inferior. Esto ayudará a mantener el agua alejada del taladro. Esto además evita que se acumule sedimento normal en la válvula.

2. Mida desde la conexión en la parte trasera del refrigerador hasta la tubería del agua. Agregue 2,1 m (7 pies) más para permitir que el refrigerador pueda moverse cuando se hace la limpieza. Este es el largo de la tubería de cobre de 0,635 cm (1/4") de diámetro exterior que necesitará para el trabajo (medido desde la conexión a la tubería del agua MAS 7 pies [2,1 m]). Asegúrese de que ambos extremos de la tubería de cobre estén cortados derechos.
3. CORTE el suministro de agua principal. ABRA la llave de agua más cercana durante un tiempo suficiente para que la tubería quede totalmente sin agua.
4. Usando un taladro puesto a tierra, taladre un orificio de 0,635 cm (1/4") en la tubería del agua fría que usted haya seleccionado.
5. Instale la válvula de cierre en la tubería de agua fría con la abrazadera. Asegúrese de que el extremo de la salida esté firmemente insertado en el orificio de 0,635 cm (1/4") taladrado en la tubería del agua y que la arandela esté debajo de la abrazadera de la tubería. Apriete la tuerca de presión. Apriete los tornillos de la abrazadera de la tubería cuidadosa e uniformemente de modo que la arandela provea un cierre hermético. No apriete demasiado pues puede doblar la tubería de cobre, especialmente si se usa tubería de cobre recocido. Ahora usted puede conectar la tubería de cobre.
6. Deslice el tubo de compresión y la tuerca de compresión en la tubería de cobre como se muestra en la ilustración. Inserte el extremo de la tubería en el extremo de la salida firmemente hasta donde sea posible. Atornille la tuerca de compresión en el extremo de la salida con una llave ajustable. No apriete demasiado. ABRA el suministro de agua principal y deje correr el agua hasta que salga clara. CIERRE la válvula de cierre en la tubería del agua. Haga un espiral con la tubería de cobre.



Conexión al refrigerador

1. (En el paquete de partes para la conexión encontrará la válvula de cierre y podrá ser instalada de acuerdo a las instrucciones incluidas en el paquete.) Haga pasar la tubería de cobre a través de la abrazadera de la tubería provista, como se muestra en la figura del lado izquierdo. Conecte el tubo de cobre de 0,635 cm (1/4") desde la válvula de cierre a la parte trasera inferior de la caja del refrigerador. Use una tuerca y manguito de compresión como se muestra a la izquierda. Apriete la tuerca de compresión. No la apriete demasiado.
2. **ABRA** la válvula de cierre. **VERIFIQUE SI HAY ESCAPES. APRIETE TODAS LAS CONEXIONES (INCLUYENDO LAS CONEXIONES EN LA VALVULA) O TUERCAS QUE TENGAN ESCAPES.**
3. La fábrica de hielo está equipada con un filtro de agua incorporado. Si las condiciones de agua locales requieren limpieza periódica o su fuente de suministro de agua es un pozo, se debe instalar un segundo filtro del agua en la tubería de agua de 0,635 cm (1/4"). Adquiera un filtro de agua de su distribuidor de artefactos eléctricos más cercano. Instálelo en cualquiera de las conexiones de la tubería.
4. Vuelva a conectar la corriente eléctrica al refrigerador.



Como cambiar los focos

⚠ ADVERTENCIA

Riesgo de Choque Eléctrico

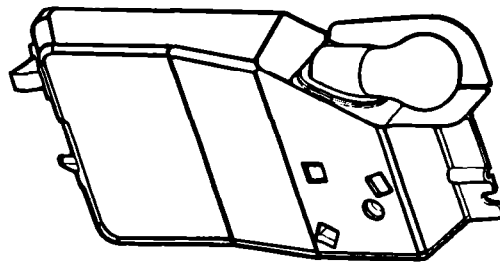
Antes de quitar el foco o quitar el protector de la luz para su limpieza, desenchufe el refrigerador o desconecte la electricidad hacia el refrigerador en el suministro de energía principal.

De lo contrario se puede producir un choque eléctrico.

Para cambiar el foco del refrigerador:

1. Desconecte la energía eléctrica hacia el refrigerador.
2. Quite el foco que está detrás del panel de control.
3. Reemplácelo con un foco igual de 40 Watts.
4. Vuelva a conectar el refrigerador al suministro de energía.

NOTA: No todos los focos de los aparatos eléctricos son adecuados para su refrigerador. Asegúrese de colocar un foco que sea del mismo tamaño y forma que el original.



Sonidos provenientes de su refrigerador

Su nuevo refrigerador puede emitir sonidos que el antiguo no emitía. Debido a que estos sonidos son nuevos para usted, usted podría preocuparse. No hay motivo para ello. La mayoría de los nuevos sonidos son normales. Las superficies duras como el piso, las paredes y los estantes pueden hacer que los sonidos sean más fuertes.

A continuación se describen las clases de sonidos que usted puede escuchar y que los producen.

Leve murmullo, silbido suave

Puede provenir del motor del ventilador del refrigerador y del movimiento del aire.

Chasquidos o golpes secos

El termostato emite un chasquido definido cuando el refrigerador deja de funcionar. También produce un sonido cuando el refrigerador comienza a funcionar. El medidor de descongelación también produce un chasquido cuando comienza el ciclo de descongelación.

Sonidos del agua

Cuando el refrigerador deja de funcionar puede oír gorgoteo en la tubería por algunos minutos después de que se detiene. También puede oír el agua descongelada que corre hacia la bandeja colectora del agua.

Sonidos de la fábrica de hielo

- goteo de agua
- caída del hielo

Usted puede oír un zumbido (la válvula del agua), agua que gotea y el ruido de los cubos del hielo al caer al depósito.

Los sonidos de funcionamiento

El refrigerador tiene un compresor y un motor de alta eficiencia. Funcionará por períodos más prolongados que el modelo antiguo. Le puede parecer que el refrigerador está funcionando la mayor parte del tiempo.

Ahorro de energía

Usted puede ayudar a que su refrigerador utilice menos energía.

- Verifique si los empaques de las puertas están herméticos. Nivele el refrigerador para asegurarse de que el cierre es hermético.
- Limpie los serpentines del condensador regularmente.
- Abra la puerta tan pocas veces como sea posible. Piense en lo que necesita sacar antes de abrir la puerta. Saque todo de una sola vez. Mantenga el alimento organizado de modo de que usted no tiene que comenzar a buscar lo que necesita. Cierre la puerta tan pronto como haya sacado el alimento.

- Usted puede llenar el refrigerador. Sin embargo debe dejar espacio para que el aire pueda circular libremente.
- Es un desperdicio de electricidad colocar el refrigerador y el descongelador a temperaturas más frías de lo que sea necesario. Si el helado está firme en el congelador y las bebidas están tan frías como a su familia les gustan, el refrigerador está lo suficientemente frío.
- Asegúrese de que su refrigerador no esté cerca de una fuente de calor tal como la estufa, un calentador del agua, una caldera, un radiador o a la luz directa del sol.

Como cambiar la abertura de la puerta

Las puertas de su refrigerador son reversibles. Si usted necesita cambiar la abertura al otro lado, consulte la hoja de instrucciones que se incluye con su refrigerador.

Cuidado de su Refrigerador

Su refrigerador ha sido construido para proporcionarle muchos años de servicio seguro. Sin embargo, hay algunas sugerencias que pueden ayudarle a prolongar su vida útil. Esta sección describe como limpiar su refrigerador y como proceder cuando se va de vacaciones, durante las mudanzas o cuando hay fallas de energía eléctrica.

Limpieza de su refrigerador

Tanto el refrigerador como el congelador se descongelan automáticamente. Sin embargo, limpie ambos por lo menos una vez al mes para ayudar a evitar los olores que se acumulan. Limpie los derrames inmediatamente.



Para limpiar su refrigerador, desenchúfelo, saque todas las piezas removibles y limpie el refrigerador de acuerdo a las siguientes instrucciones.

⚠ ADVERTENCIA

Riesgo de Lesión Personal

Los tubos del sistema de refrigeración están cerca de la bandeja colectora del agua y puede estar caliente. Saque e instale la bandeja colectora del agua cuidadosamente.

De lo contrario puede ocasionar una lesión personal.

PIEZA	QUE USAR	COMO HACER LA LIMPIEZA
Piezas removibles (parrillas, cajones, etc.)	Esponja o paño con detergente suave y agua caliente	<ul style="list-style-type: none"> • Lavar a mano, enjuagar y secar bien.
Exterior	Esponja, paño o toalla de papel con detergente suave, agua caliente y una buena cera para aparatos eléctricos (o una buena cera para limpiar automóviles)	<ul style="list-style-type: none"> • Lave la parte exterior de la caja del refrigerador. No use limpiadores fuertes o abrasivos. • Enjuague y seque bien. • Coloque cera a las superficies de metal pintadas por lo menos dos veces al año. Aplique cera con un paño limpio y suave. La cera protege las superficies de metal pintadas contra la oxidación. No coloque cera en las piezas de plástico.
Paredes interiores (deje que el congelador se caliente para que el paño no se pegue)	Esponja, paño o toalla de papel con bicarbonato de sodio o un detergente suave y agua caliente	<ul style="list-style-type: none"> • Lavar con una mezcla de agua caliente y detergente suave o bicarbonato de sodio (26 g [cucharadas] por 0.95 L [cuarto de galón] de agua). • Enjuague y secar bien.
Revestimientos y empaques de las puertas	Esponja, paño o toalla de papel con detergente suave y agua tibia	<ul style="list-style-type: none"> • Lave, enjuague y seque bien. NO USE ceras de limpieza, detergentes concentrados, blanqueadores o limpiadores a base de petróleo en las piezas de plástico.
Piezas plástico (tapas y paneles)	Esponja limpia o un paño suave y limpio con detergente suave y agua caliente	<ul style="list-style-type: none"> • Lave, enjuague y seque bien. NO USE toallas de papel, rociadores para limpiar ventanas, limpiadores para fregar o líquidos inflamables. Estos pueden rayar o dañar el material. Ver "Instrucciones Importantes de Seguridad" en la página 3.
Bandeja colectora del agua (en la parte de atrás del gabinete, arriba del motor)	Esponja o paño con detergente y agua caliente	<ul style="list-style-type: none"> • Ruede el refrigerador para alejarlo de la pared. • Lave, enjuague y seque bien. No saque la bandeja del descongelador para limpiarla. • Ruede el refrigerador de vuelta a su lugar. Asegúrese de dejar 2,5 cm (1") entre la parte trasera del gabinete y la pared. • Revise para verificar que el refrigerador esté nivelado.
Serpentines del condensador	Aspiradora con el accesorio angosto largo	<ul style="list-style-type: none"> • Ruede el refrigerador para alejarlo de la pared. • aspire los serpentines cuando tengan polvo o estén sucios. Los serpentines puede que necesiten ser limpiados tan a menudo como una vez al mes. • Ruede el refrigerador de vuelta a su lugar. Asegúrese de dejar 2,5 cm (1") entre la parte trasera del gabinete y la pared. • Revise para verificar que el refrigerador esté nivelado.

Cuidado durante las vacaciones y mudanzas

Vacaciones cortas

No necesita desconectar el refrigerador si usted estará ausente por menos de cuatro semanas.

1. Use todos los alimentos que puedan echarse a perder.
2. Congele todos los otros artículos.
3. Si su refrigerador tiene una fábrica de hielo automática:
 - Levante la palanca a la posición OFF (apagado).
 - Corte el suministro de agua a la fábrica de hielo.

Vacaciones largas

Si usted estará ausente por un mes o más:

1. Saque todos los alimentos del refrigerador.
2. Si su refrigerador tiene una fábrica de hielo automática:
 - Corte el suministro de agua a la fábrica de hielo por lo menos con un día de anticipación.
 - Cuando caiga la última carga de hielo, desconecte la fábrica de hielo. Asegúrese de que todo el hielo esté fuera del mecanismo que fabrica el hielo.
3. Desenchufe el refrigerador.
4. Límpielo, enjuáguelo bien y séquelo.
5. Coloque bloques de goma o madera en la parte superior de ambas puertas para dejarlas abiertas y permitir que el aire circule. Esto evita que el mal olor y el moho se acumule.

⚠ ADVERTENCIA

Riesgo de Lesión Personal

No permita que los niños suban, jueguen o trepen dentro del refrigerador cuando las puertas están abiertas.

Se pueden lesionar o quedar atrapados.

Para volver a conectar el refrigerador, vea la página 6.

Interrupciones de energía eléctrica

Si la energía eléctrica se interrumpe, llame a la compañía de luz. Pregunte cuanto tiempo va estar la corriente cortada.

1. Si el servicio será interrumpido durante 24 horas o menos, **mantenga ambas puertas cerradas**. Esto ayuda a mantener los alimentos congelados.
2. Si el servicio va a ser interrumpido por más de 24 horas:
 - (a) Saque todos el alimento congelado y colóquelo en un congelador separado.

O

 - (b) Coloque 900 g (2 libras) de hielo seco en el congelador por cada litro (pié cúbico) de espacio del refrigerador. Esto ayudará a mantener el alimento congelado durante 2 a 4 días. Use

Mudanzas

Cuando esté cambiando el refrigerador a su nuevo hogar:

1. Si su refrigerador tiene una fábrica de hielo automática:
 - Corte el suministro de agua a la fábrica de hielo por lo menos con un día de anticipación.
 - Desconecte la tubería del agua.
 - Deje que caiga la última carga de hielo, levante la palanca a la posición OFF (apagado).
2. Saque todos los alimentos del refrigerador.
3. Empaque todos los alimentos congelados con hielo seco.
4. Desenchufe el refrigerador.
5. Límpielo bien. Enjuague bien y seque.
6. Saque todas las piezas removibles, envuélvalas bien y póngalas juntas para que no se muevan y hagan ruido.
7. Atomille hacia adentro los rodadillos niveladores.
8. Coloque cinta para mantener la puertas cerradas y sujete con cinta el cordón eléctrico a la caja del refrigerador.

Cuando llegue a su nuevo hogar, coloque todo de vuelta en su lugar y consulte la página 5. Además, si su refrigerador tiene una fábrica de hielo automática, recuerde volver a conectar la tubería del agua.

guantes para proteger sus manos contra las quemaduras del hielo seco.

O

- (c) Si no dispone de un congelador separado o de hielo seco, use o coloque en conserva el alimento que puede descomponerse.
3. Un congelador lleno se mantiene frío por más tiempo que un congelador parcialmente lleno. Un congelador lleno de carne se mantiene más frío que un congelador lleno de productos de panadería. Si el alimento tiene cristales de hielo, puede ser recongelado con toda seguridad, aunque la calidad del sabor puede ser inferior. Si el estado del alimento es deficiente o si usted no se siente seguro, descártelo.

Guía para la Conservación de los Alimentos

Existe una manera correcta de guardar y empaquetar el alimento refrigerado o congelado. Para mantener el alimento más fresco, durante más tiempo, estudie los pasos que se recomiendan a continuación.

Almacenamiento de alimentos frescos

Envuelva o guarde el alimento en el refrigerador en material o envases herméticos o a prueba de humedad. Esto evita que el olor y el sabor del alimento circule a través del refrigerador. Para los productos que tienen fecha de caducidad, verifique la fecha en código para asegurar su frescura.

Las verduras con hojas

Saque la envoltura original y elimine los tallos o áreas descoloridas o maltratadas. Lave en agua fría y deje escurrir. Coloque en una bolsa plástica o en un envase de plástico y almacene en el cajón para verduras.

Los vegetales con piel (zanahorias, pimientos)

Guardar en el cajón para verduras en bolsas plásticas o en envases de plástico.

Fruta

Lavar, dejar secar y colocar en el refrigerador en bolsas de plástico o en el compartimiento de las verduras. No lavar o limpiar las frutillas hasta que no estén listas para ser usadas. Clasifique y mantenga las fresas en el envase original en el cajón para verduras o guárdelas en una bolsa de papel a medio cerrar en una división del refrigerador.

Huevos

Guárdelos sin lavar en el cartón original en las parrillas interiores. Para su conveniencia, en algunos modelos se ha incluido una recipiente para guardar huevos.

Leche

Seque las cajas de cartón. Para almacenarlas mejor, coloque la leche en la parrilla interior.

Mantequilla o margarina

Mantenga la mantequilla que haya usado en un plato tapado o en el compartimiento cerrado. Cuando guarde mantequilla adicional, envuélvala en papel para congelador y congélela.

Queso

Guárdelo en su envoltura original hasta que esté listo para usarlo. Una vez abierto, vuelva a envolverlo bien con plástico o papel de aluminio.

Restos de alimentos

Cubra los restos de alimentos con plástico o con papel de aluminio. Los envases de plástico con tapas herméticas también pueden ser usados.

Carne

La mayoría de la carne puede ser guardada en su envoltura original siempre que sea hermética y a prueba de humedad. Vuelva a envolver si es necesario. Ver los siguientes períodos de conservación. Cuando se almacena carne por períodos de tiempo más prolongado que los indicados a continuación, se recomienda congelar la carne.

Pollo	1-2 días	Tocino	5-7 días
Carne de res molida	1-2 días	Carnes frías	3-5 días
Bisteces/carnes para asar	7-10 días	Carnes variadas ...	1-2 días
Carnes curadas	5-7 días		

NOTA: Use el pescado y los mariscos frescos el mismo día que los compre.

Almacenamiento de Alimentos Congelados

En el congelador se pueden conservar los alimentos congelados comercialmente y aquellos que se desean congelar del hogar.

NOTA: Para mayor información acerca de la preparación del alimento para congelarlo o los períodos de conservación de los alimentos, póngase en contacto con su Servicio de Extensión Cooperativa o consulte una guía sobre congelación de alimentos o un libro de cocina.

Como envasar los alimentos

El secreto de la congelación exitosa es el envase. El envase no debe permitir la entrada o salida del aire o de la humedad. De lo contrario, el olor y sabor de los alimentos circulará a través del refrigerador y secará el alimento congelado.

Envolturas recomendadas:

- Envases de plástico con tapas herméticas
- Frascos para conservas/congelación
- Envoltura de papel de aluminio grueso
- Papel con forro de plástico
- Envolturas plásticas impermeables (hechas de película Saran)

Siga las instrucciones del paquete o del envase para los métodos de congelación adecuados.

No usar:

- Bolsas del pan
- Envases plásticos que no son de polietileno
- Envases sin tapas herméticas
- Papel de cera
- Papel encerado de congelador
- Papel delgado semipermeable

El uso de estas envolturas puede causar transferencia del olor y del sabor de los alimentos y secar el alimento congelado.

Congelación

No espere que su congelador congele grandes cantidades de alimento rápidamente. No ponga más alimento en el congelador del que pueda congelar dentro de 24 horas (no más de 32-48 g por litro [2-3 libras de alimento por pie cúbico] de espacio del congelador). Deje suficiente espacio para que circule el aire alrededor de los paquetes. Tenga cuidado de dejar suficiente espacio al frente de manera que la puerta pueda cerrarse herméticamente.

Los períodos de tiempo de conservación variarán de acuerdo con la calidad del alimento, el tipo de paquete o con la envoltura usada (hermético y a prueba de humedad) y con la temperatura de conservación que debe ser de -17,8°C (0°F).

Localización y Reparación de Averías

A menudo los problemas que puedan producirse se pueden solucionar sin necesidad de herramientas. Por favor lea la sección "Antes de pedir ayuda...." que se incluye a continuación antes de solicitar servicio para su aparatos.

Antes de pedir ayuda...

En esta tabla se incluye la mayoría de los problemas más comunes que los consumidores enfrentan con sus aparatos. Le rogamos leer atentamente para que pueda solucionar su problema.

PROBLEMA	SOLUCION
El refrigerador no funciona	<ul style="list-style-type: none"> ¿Está el cordón eléctrico bien enchufado en un circuito con el voltaje apropiado? ¿Se ha quemado o disparado un disyuntor o un fusible del hogar? ¿Está el control del refrigerador en la posición OFF (apagado)?
Las luces no trabajan	<ul style="list-style-type: none"> ¿Está el cordón eléctrico bien enchufado en un circuito con el voltaje apropiado? ¿Se ha quemado o disparado un disyuntor o un fusible del hogar? ¿Se quemó alguna ampolleta?
La fábrica de hielo no trabaja	<ul style="list-style-type: none"> ¿Está el congelador bastante frío como para hacer hielo? El congelador puede demorar toda la noche en alcanzar la temperatura adecuada. ¿Está la palanca ON/OFF (encendido/apagado) en la posición ON (hacia abajo)? (Ver página 9.) ¿Está la llave del agua abierta? ¿Hay una obstrucción o un escape en la tubería del agua?
Ruidos extraños o tintineo	<ul style="list-style-type: none"> ¿Hay algo arriba o detrás del refrigerador? <p>Algunos de los sonidos son normales. Ver la sección "Sonidos provenientes de su refrigerador" en la página 13.</p>
Hay agua en la bandeja colectora	<p>Esto es normal en días de mucho calor. Asegúrese de que el refrigerador está bien nivelado para que la bandeja no se derrame.</p>
El motor parece que funciona excesivamente	<ul style="list-style-type: none"> ¿Están los serpentines del condensador sucios? ¿Se ha abierto la puerta muy a menudo? ¿Se agregó una gran cantidad de alimentos de una sola vez? El motor naturalmente funcionará por períodos más prolongados si ésto sucede. ¿Está la habitación caliente? Si la habitación está demasiado caliente, el motor funciona por períodos más largos para mantener el refrigerador frío.

WHIRLPOOL® Póliza de Garantía

APLICA SOLO EN MEXICO

VITROMATIC COMERCIAL, S.A. DE C.V.
Av. San Nicolás 2121 Nte.
Col. 1o. de Mayo, C.P. 64550
Monterrey, N.L., MEXICO
Tel. (lada 918) 329-22-00 y 329-33-00

MODELOS N°- ET14NK, ET14JK,
ET14JM, ET14HJ

En los términos de esta póliza, Vitromatic Comercial, S.A. de C.V. garantiza al comprador y usuario del refrigerador marca Whirlpool identificado en la presente póliza exclusivamente lo siguiente:

CONCEPTOS CUBIERTOS POR LA GARANTIA

Defectos de fabricación que impidan total o parcialmente el correcto funcionamiento del aparato, que se presenten dentro del término de vigencia de esta garantía. En este caso, la reparación se hará sin costo alguno para el comprador. Si se requiere el reemplazo de algunos de los componentes ó piezas del aparato a sí mismo, correrá por cuenta del otorgante. Igualmente, los gastos de transporte derivados del cumplimiento de la garantía serán cubiertos por el otorgante.

CONCEPTOS QUE INVALIDAN LA GARANTIA

- Cuando el producto se hubiere utilizado en condiciones distintas a las normales (el refrigerador no es para uso comercial o industrial).
- Cuando el producto no hubiere sido operado de acuerdo con el instructivo de uso y manejo que lo acompaña.
- Cuando el producto hubiere sido alterado o reparado por personas no autorizadas por Servicio Acros-Whirlpool, S.A. de C.V.

PROCEDIMIENTO PARA HACER EFECTIVA LA GARANTIA

Al considerar el comprador que ha ocurrido algunos de los eventos amparados por ésta póliza, deberá ponerse en contacto con alguno de los establecimientos indicados en la lista de Centros de Servicio autorizados aquí incluida.

TERMINO

Esta garantía tiene una vigencia de **UN AÑO** en todas sus partes a partir de que el consumidor reciba de conformidad el refrigerador.

Agregando a la cobertura base de **UN AÑO** esta garantía cubre los siguientes componentes de acuerdo a los períodos adicionales:

4 años para el sistema sellado de refrigeración que se compone del compresor, evaporador, secador, condensador, filtro, tubo de conexión y succión.

FORMATO DE IDENTIFICACION

NOMBRE DEL COMPRADOR : _____

DOMICILIO : _____

NOMBRE DEL DISTRIBUIDOR : _____

DOMICILIO : _____ TEL : _____

CLASE DE APARATO : _____ MODELO : _____

NÚM. DE SERIE : _____ FECHA DE ENTREGA : _____

FIRMA DEL DISTRIBUIDOR Y SELLO

REPRESENTANTE AUTORIZADO

(Señalar con precisión la calle, número exterior o interior, colonia, ciudad, estado y C.P.)

NOTAS IMPORTANTES

Este documento deberá ser presentado para cualquier trámite relacionado con la garantía.

EL COMPRADOR DEBERA MANTENER ESTE DOCUMENTO EN SU PODER Y EN UN LUGAR SEGURO.

El Consumidor podrá solicitar que se haga efectiva la garantía que ampara esta póliza, ante la casa comercial donde adquirió el producto. En caso de extravío de la póliza mencionada, el proveedor expedirá una nueva póliza de garantía, previa presentación de la nota de compra o factura respectiva.

**Centro de Servicio y Venta de
Refacciones y Partes**

SERVICIO ACROS - WHIRLPOOL

Utilice sin cargo para usted el Centro de Atención al Cliente
Tel: 91-800-83-004

ZONA NORTE

MONTERREY

Centro Industrial Acros
Whirlpool.
Carretera Miguel Alemán
Km 16,695
Interior 6. Apodaca, N.L.
C.P. 66600
Tel. 329-21-00 y 386-21-31.
Fax 329-21-03

Ave Alfonso Reyes No. 3210,
Col. Regina
C.P.64290 Monterrey N.L.
Tel. 351-27-37 y 351-27-03

CHIHUAHUA

Calle Sexta No. 3407. Col.
Sta Rosa
Chihuahua, Chih.
C.P. 31050
Tel./Fax 10-05-50

TORREON

Blvd. Aguila Nacional
2495 Ote.
Col. Centro
Torreón, Coahuila,
C.P. 27000,
Tel. 22-30-78, 18-12-20
Fax 18-12-21

TAMPICO

Av. Hidalgo No. 1205 Col.
Moctezuma, C.P. 89177
Tampico Tamps.
Tel. 19-26-20 y 19-26-21
Fax 19-27-52

ZONA OCCIDENTE

CULIACAN

Calz. H. Colegio Militar No. 165
Col. Benito Juárez,
Culiacán, Sin. C.P. 80120
Tel. 13-92-35 y 15-65-96
Fax 17-12-30

HERMOSILLO

Reforma y Jesús
Siqueiros No. 1
Hermosillo, Son. C.P. 83180
Tel./Fax 10-46-80

GUADALAJARA

Calz. Glez. Gallo No. 1269,
Sector Reforma
Guadalajara Jal. C.P. 44870,
Tel. 619-16-50, 619-15-15
y 619-23-03,
Fax 650-35-64

LEON

Av. Autotransporte No. 426
Frac. El Papalote,
León Guanajuato, C.P. 37130.
Tel. 16-01-80, 16-31-22 y
16-39-57 Ext. 4467

**ZONA CENTRO Y
SURESTE**

MEXICO

Canela No. 47-L, Col.
Granjas México,
México D.F., C.P. 08400
Tel. 650-65-33 y 657-29-56
con 12 líneas.
Fax 650-38-49

Poniente 134 No. 559, Col.
Industrial Vallejo
México D.F., C.P. 02300
Tel. 368-25-25, 368-25-06,
368-25-66, y 368-25-76

VERACRUZ

Miguel Alemán No. 652,
Col. Díaz Mirón
Veracruz, Ver., C.P. 91909
Tel./Fax 31-28-81

VILLAHERMOSA

Guaycan No. 124, Co. del
Bosque,
Villahermosa, Tab. C.P. 86160
Tel./Fax 51-35-13

MERIDA

Calle 54 No. 466 por 53 y 55
Mérida Yuc., C.P. 97000
Tel./Fax 28-1038



Printed on recycled paper – 10% post-consumer waste/50% recovered materials
Imprimé sur papier recyclé – 10% de rebuts après usage/50% de matières récupérées
Impreso en papel reciclado – 10% de desechos de consumidores y 50% de materiales recuperados

© Registered Trademark/TM Trademark of Whirlpool, U.S.A.
** Trademark of Ingersoll Rand Limited, Canada.

© Marque de commerce enregistrée/MC marque déposée de Whirlpool, É.-U.
** Marque déposée de Ingersoll Rand Limited, Canada.

© Marca Registrada/TM marca Registrada de Whirlpool, EE.UU.
** Marca Registrada de Ingersoll Rand Limited, Canada.