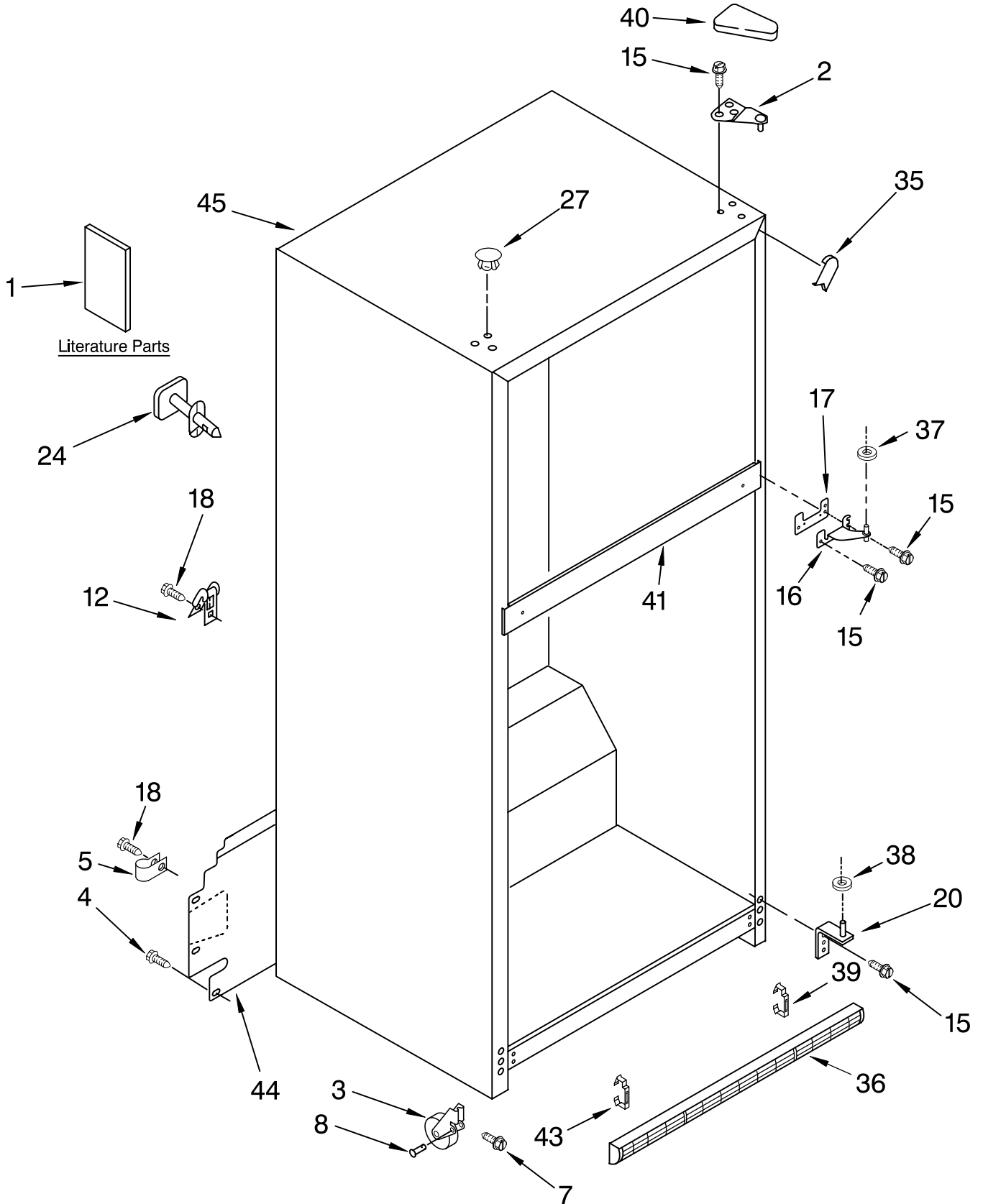




CABINET PARTS

For Models: ET8WTMXKQ07, ET8WTMXKT07
(White) (Biscuit)

REFRIGERATOR



FOR ORDERING INFORMATION REFER TO PARTS PRICE LIST

CABINET PARTS

For Models: ET8WTMXKQ07, ET8WTMXKT07
(White) (Biscuit)

| Illus. No. | Part No. | DESCRIPTION |
|---------------|-------------|--------------------------------|
| 1 | | Literature Parts |
| | 2225759 | Service & Wiring Sheet |
| | 2302218 | Energy Label |
| | 2302037 | Use & Care Guide |
| | 2225623 | Modular Icemaker Service Sheet |
| | 2225413 | Customer Instructions |

Following May Be Purchased

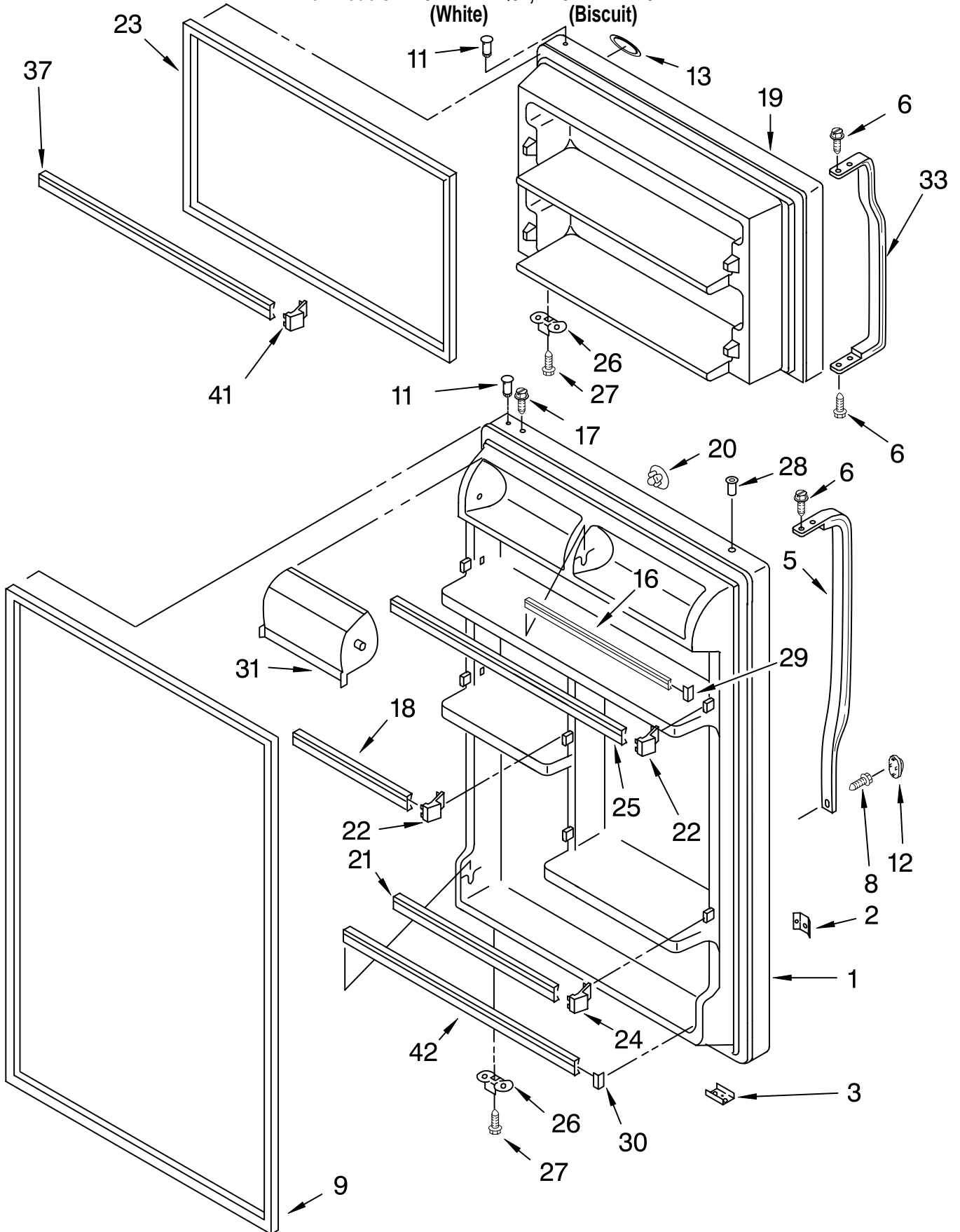
DO-IT-YOURSELF REPAIR MANUALS

| | | |
|----|---------|------------------------------------|
| | 677969 | Do-It-Yourself Manual, Ref./Fzr. |
| 2 | 2189410 | Hinge (Top) |
| 3 | 2166108 | Roller, Front (2) |
| 4 | 489427 | Screw |
| 5 | 489385 | Clamp, Tube (Water Supply Line) |
| 7 | 3400504 | Screw |
| 8 | 2179826 | Rivet |
| 12 | 549193 | Clamp, Cord |
| 15 | 489497 | Screw |
| 16 | 2183972 | Hinge, Center |
| 17 | 2183854 | Shim, Hinge Center |
| 18 | 8281265 | Screw |
| 20 | 2254473 | Hinge Butt |
| 24 | | Fitting, Water Tube (NOT SERVICED) |
| 27 | | Hole Plug (6) |
| | 2201012 | White |
| | 2200924 | Biscuit |
| 35 | | Corner Filler (2) |
| | 2201014 | White |
| | 2200926 | Biscuit |
| 36 | | Grille (Includes Illus. 39 & 43) |
| | 2254386 | White |
| | 2254389 | Biscuit |
| 37 | 489341 | Washer |
| 38 | 487576 | Washer |
| 39 | 2254385 | Clip, Grille |
| 40 | | Cover-Hinge |
| | 2213360 | White |
| | 2213364 | Biscuit |
| 41 | | Rail, Center (NOT SERVICED) |
| 43 | 2189356 | Clip-Grille |
| 44 | 2221775 | Cover, Unit |
| 45 | | Cabinet (Not a Serviceable Part) |

FOR ORDERING INFORMATION REFER TO PARTS PRICE LIST

DOOR PARTS

For Models: ET8WTMXKQ07, ET8WTMXKT07
(White) (Biscuit)



FOR ORDERING INFORMATION REFER TO PARTS PRICE LIST

DOOR PARTS

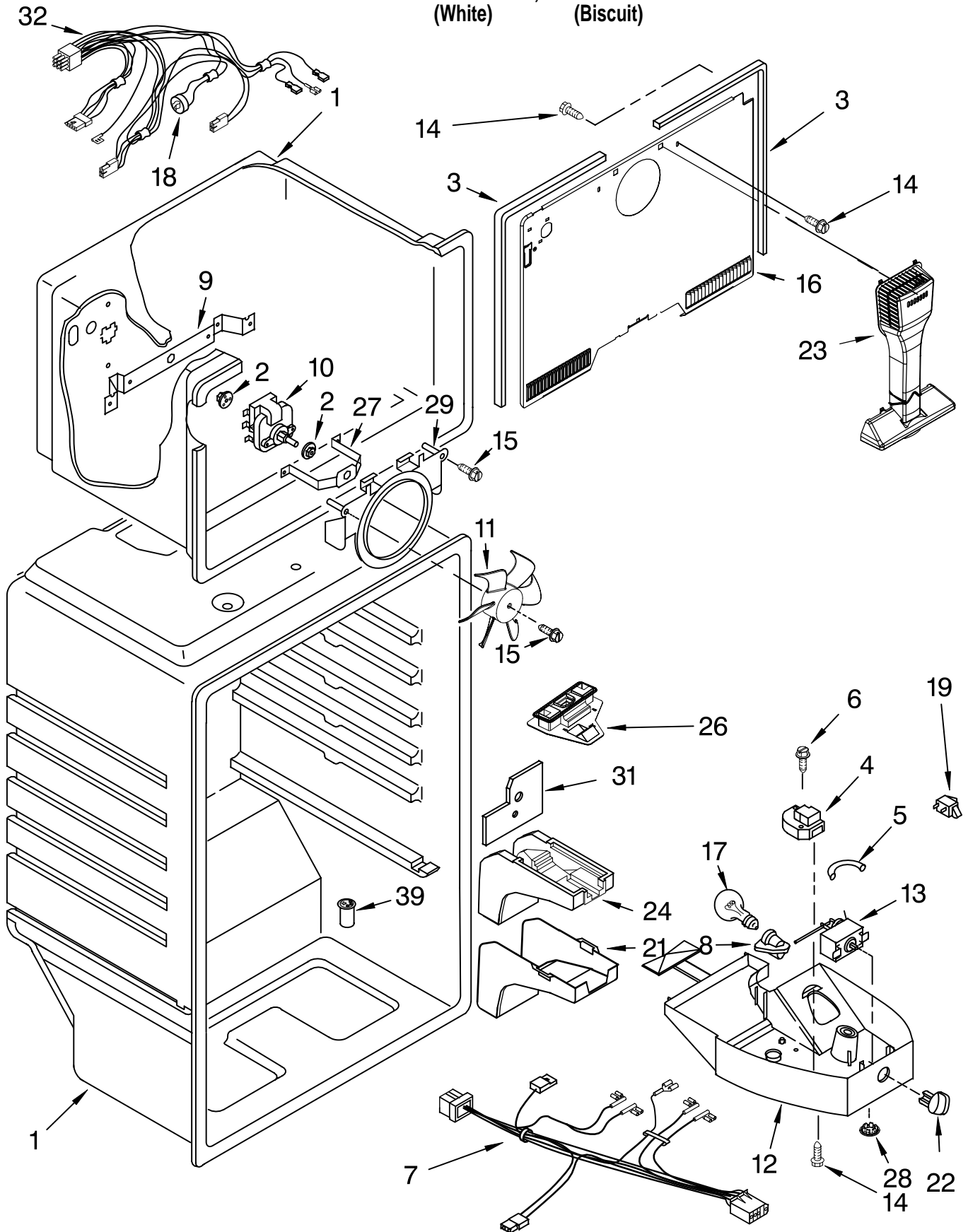
For Models: ET8WTMXKQ07, ET8WTMXKT07
(White) (Biscuit)

| Illus. No. | Part No. | DESCRIPTION |
|------------|----------|---|
| 1 | | Refrigerator Door (Includes Illus. 2,3,9 & 11) |
| | 2183948 | White |
| | 2205285 | Biscuit |
| 2 | 939101 | Screw Anchor |
| 3 | 2183198 | Tap Plate |
| 5 | | Handle, Refrigerator |
| | 2202807W | White |
| | 2202807T | Biscuit |
| 6 | 489357 | Screw |
| 8 | 8281146 | Screw |
| 9 | | Door Gasket, Magnetic |
| | 2202874 | Mist Beige |
| 11 | 2183003 | Thimble |
| 12 | | Cover, Screw |
| | 2202819W | White |
| | 2202819T | Biscuit |
| 13 | 2262218 | Nameplate |
| 16 | 2180027 | Trim, Door Shelf |
| 17 | 8281206 | Screw |
| 18 | 2201052 | Trim, Door |
| 19 | | Freezer Door (Includes Illus. 3,11 & 23) |
| | 2182487 | White |
| | 2205279 | Biscuit |
| 20 | | Hole Plug, Handle (1) |
| | 2189000 | White |
| | 2200936 | Biscuit |
| 21 | 2195943 | Trim, Door Shelf |
| 22 | 2195915 | Plug, Trim |
| 23 | | Door Gasket, Magnetic |
| | 2214966 | Mist Beige |
| 24 | 2195915 | Endcap (2) |
| 25 | 2201051 | Trim, Door Shelf |
| 26 | 2189202 | Bracket, Door Stop (2) |
| 27 | 488921 | Screw |
| 28 | | Hole Plug, Hinge (2) |
| | 2212648 | White |
| | 2212649 | Biscuit |
| 29 | 2156007 | Plug, Trim (4) |
| 30 | 2156006 | Plug, Trim (4) |
| 31 | 2218113 | Compartment Door |
| 33 | | Handle, Freezer |
| | 2202806W | White |
| | 2202806T | Biscuit |
| 37 | 2201050 | Trim, Door (2) |
| 41 | 2156003 | Endcap (4) |
| 42 | 2195949 | Trim, Door |

FOR ORDERING INFORMATION REFER TO PARTS PRICE LIST

LINER PARTS

For Models: ET8WTMXKQ07, ET8WTMXKT07
(White) (Biscuit)



FOR ORDERING INFORMATION REFER TO PARTS PRICE LIST

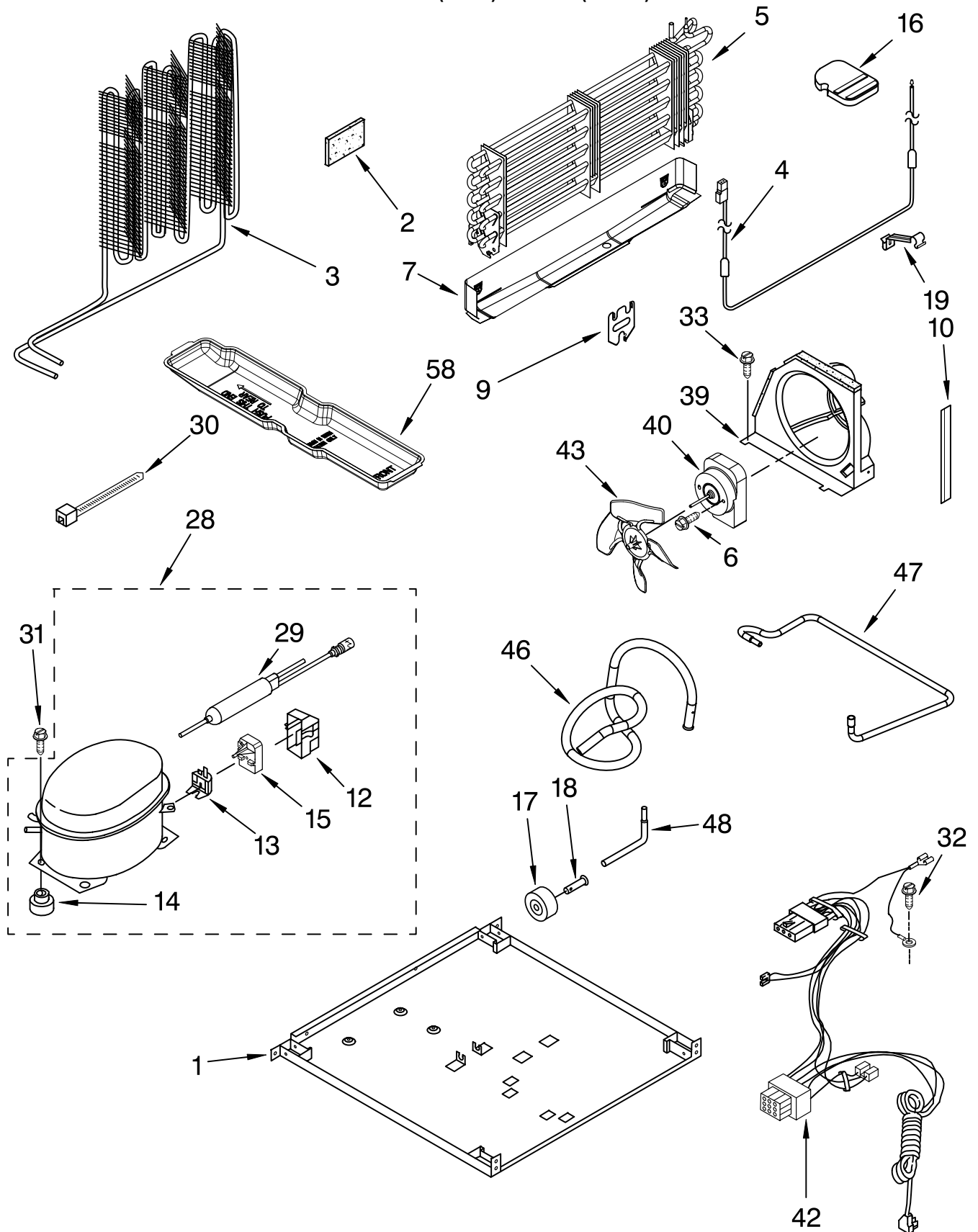
LINER PARTS

For Models: ET8WTMXKQ07, ET8WTMXKT07
(White) (Biscuit)

| Illus. No. | Part No. | DESCRIPTION |
|------------|----------|---|
| 1 | | Liner (Not A Serviceable Part) |
| 2 | 2197380 | Grommet (2) |
| 3 | 2254359 | Gasket, Evaporator Cover(2) |
| 4 | 2188376 | Defrost Timer |
| 5 | 2204640 | Thermostat Tube Barrier |
| 6 | 98129 | Screw |
| 7 | 2187885 | Wire Assy. Control Box |
| 8 | 2162085 | Socket, Light (2) |
| 9 | 2214976 | Bracket, Fan Rear |
| 10 | 2214986 | Fan Motor |
| 11 | 2163777 | Fan Blade |
| 12 | 2218381 | Control Box |
| 13 | 2225460 | Thermostat |
| 14 | 489478 | Screw |
| 15 | 693995 | Screw |
| 16 | 2254261 | Cover, Evaporator |
| 17 | 2160708 | Light Bulb |
| 18 | 2221677 | Defrost, BI-Metal |
| 19 | 1118894 | Rocker Arm Switch |
| 21 | 2176281 | Cover, Air Diffuser |
| 22 | 2202885 | Knob, Thermostat |
| 23 | 2254354 | Air Tower |
| 24 | 2189452 | Air Diffuser, Bottom |
| 26 | 2210390 | Air Separator Assembly |
| 27 | 2214979 | Bracket, Fan Front |
| 28 | 940014 | Hole Plug, Control Box |
| 29 | 2218696 | Bracket, Fan Motor |
| 31 | 2204639 | Shield, Heat |
| 32 | 2187686 | Wire Assembly, Freezer Compartment (Includes Illus. 18) |
| 39 | 2171931 | Valve-Tube, Body |

UNIT PARTS

For Models: ET8WTMXKQ07, ET8WTMXKT07
(White) (Biscuit)



FOR ORDERING INFORMATION REFER TO PARTS PRICE LIST

UNIT PARTS

For Models: ET8WTMXKQ07, ET8WTMXKT07
(White) (Biscuit)

| Illus. No. | Part No. | DESCRIPTION |
|------------|----------|--|
| 1 | 2225597 | Plate, Unit Mounting |
| 2 | 2169104 | Insullation, Sound Dampening |
| 3 | 2214960 | Condenser |
| 4 | 2176300 | Heater, Defrost |
| 5 | 2254250 | Evaporator Assy. |
| 6 | 8533859 | Screw |
| 7 | 2254294 | Drain Pan |
| 9 | 2176301 | Bracket, Heater |
| 10 | 2300638 | Extension, Air Baffle |
| 12 | | Cover |
| | 2162358 | Production |
| | 4387731 | Service |
| 13 | | Overload |
| | 2302290 | Production |
| | 4387938 | Service (Includes Relay) |
| 14 | | Grommet (4) |
| | 1100826 | Production |
| | 4387558 | Service |
| 15 | 2258450 | Start-Relay (Production Compressor Only) |

| Illus. No. | Part No. | DESCRIPTION |
|------------|----------|--|
| 16 | 2201184 | Support Block |
| 17 | 2150304 | Roller (2) |
| 18 | 2221797 | Rivet |
| 19 | 2182338 | Clip, Heater |
| 28 | 2225647 | Compressor (Includes Items 12,13,14 & 29) (Also Order 482801 Installation Kit & 876765 Tube Kit) |
| 29 | | Drier |
| | 2199167 | Production |
| | 4387019 | Service |
| 30 | 2155774 | Clamp |
| 31 | 489373 | Screw |
| 32 | 488500 | Screw |
| 33 | 3400518 | Screw |
| 39 | 2302249 | Air Baffle |
| 40 | 2188874 | Motor, Condenser |
| 42 | 2187764 | Wire Assy. Unit |
| 43 | 2225834 | Fan Blade |
| 46 | 2205294 | Tube, Discharge |
| 47 | 2205293 | Tube, Suction |
| 48 | 2212848 | Tube, Process |
| 58 | 2300635 | Evap. Tray |

| Illus. No. | Part No. | DESCRIPTION |
|---|----------|-----------------------|
| Following Parts Not Illustrated and Optional Parts Not Included | | |
| | 978025 | Valve, Access (1/4") |
| | 978026 | Valve, Access (5/16") |
| | 978027 | Valve, Access (3/8") |
| | 978028 | Valve, Access (1/2") |
| | 978029 | Valve, Access (5/8") |
| | 978030 | Valve, Access (3/4") |
| | 876764 | Valve, Access (3/16") |

REFRIGERANT CHARGE

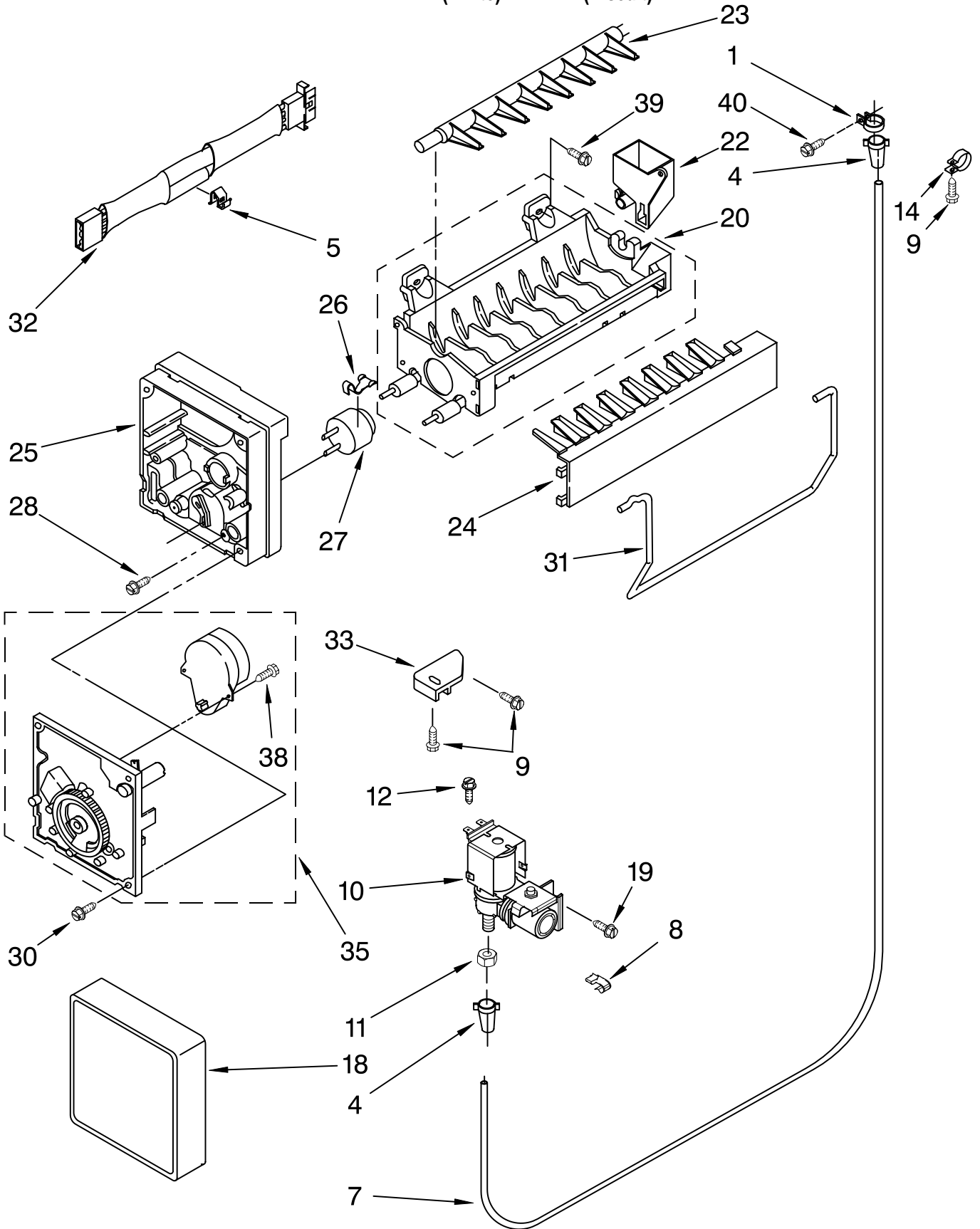
3.75 Ozs.
(R134A)



FOR ORDERING INFORMATION REFER TO PARTS PRICE LIST

ICEMAKER PARTS

For Models: ET8WTMXKQ07, ET8WTMXKT07
(White) (Biscuit)



FOR ORDERING INFORMATION REFER TO PARTS PRICE LIST

ICEMAKER PARTS

For Models: ET8WTMXKQ07, ET8WTMXKT07
(White) (Biscuit)

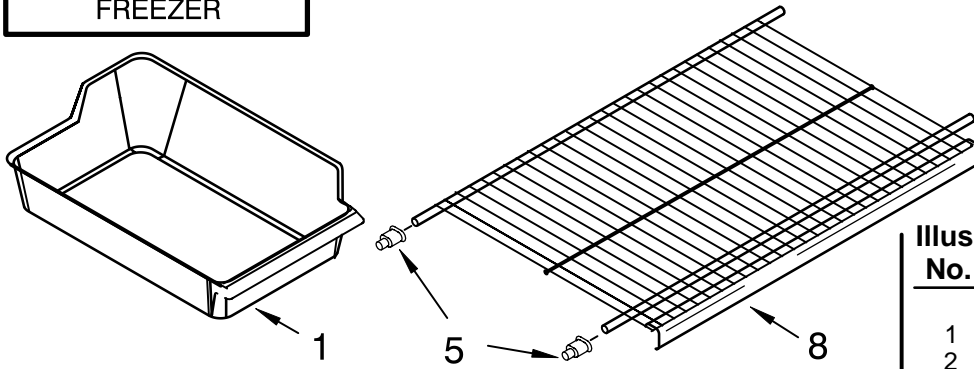
| Illus. No. | Part No. | DESCRIPTION |
|------------|----------|---|
| 1 | 488878 | Clamp, Tube |
| 4 | 2181939 | Insert, Tube |
| 5 | 628379 | Clip, Fuse |
| 7 | 2181943 | Tube Water |
| 8 | 2210495 | Clip, Water Valve |
| 9 | 489478 | Screw |
| 10 | 2210494 | Valve Solenoid |
| 11 | 627018 | Nut Compression |
| 12 | 489464 | Screw |
| 14 | 489385 | Clamp, Tube |
| 18 | 2210484 | Cover |
| 19 | 8281265 | Screw |
| 20 | 628228 | Mold & Heater Assembly (Also Order 542638 Silicone Grease) |
| 22 | 628356 | Cup, Water Fill |
| 23 | 2194711 | Ejector |
| 24 | 2182124 | Ice Striper |
| 25 | 2194712 | Support |
| 26 | 627796 | Retainer Thermostat |
| 27 | 627985 | Thermostat (Also Order 542369 Cement Alumilastic) |
| 28 | 8533917 | Screw |
| 30 | 489276 | Screw |
| 31 | 627792 | Shut Off Arm |
| 32 | 2187464 | Harness, Wiring |
| 33 | 628320 | Bracket |
| 35 | 628399 | Module Assembly (Includes Item 38) |
| 38 | 489136 | Screw, 3-24 x 23/64 |
| 39 | 488208 | Screw |
| 40 | 488886 | Screw, 8-18 x 1/2 |
| 100 | 4317943 | Icemaker, Complete Assembly |

FOR ORDERING INFORMATION REFER TO PARTS PRICE LIST

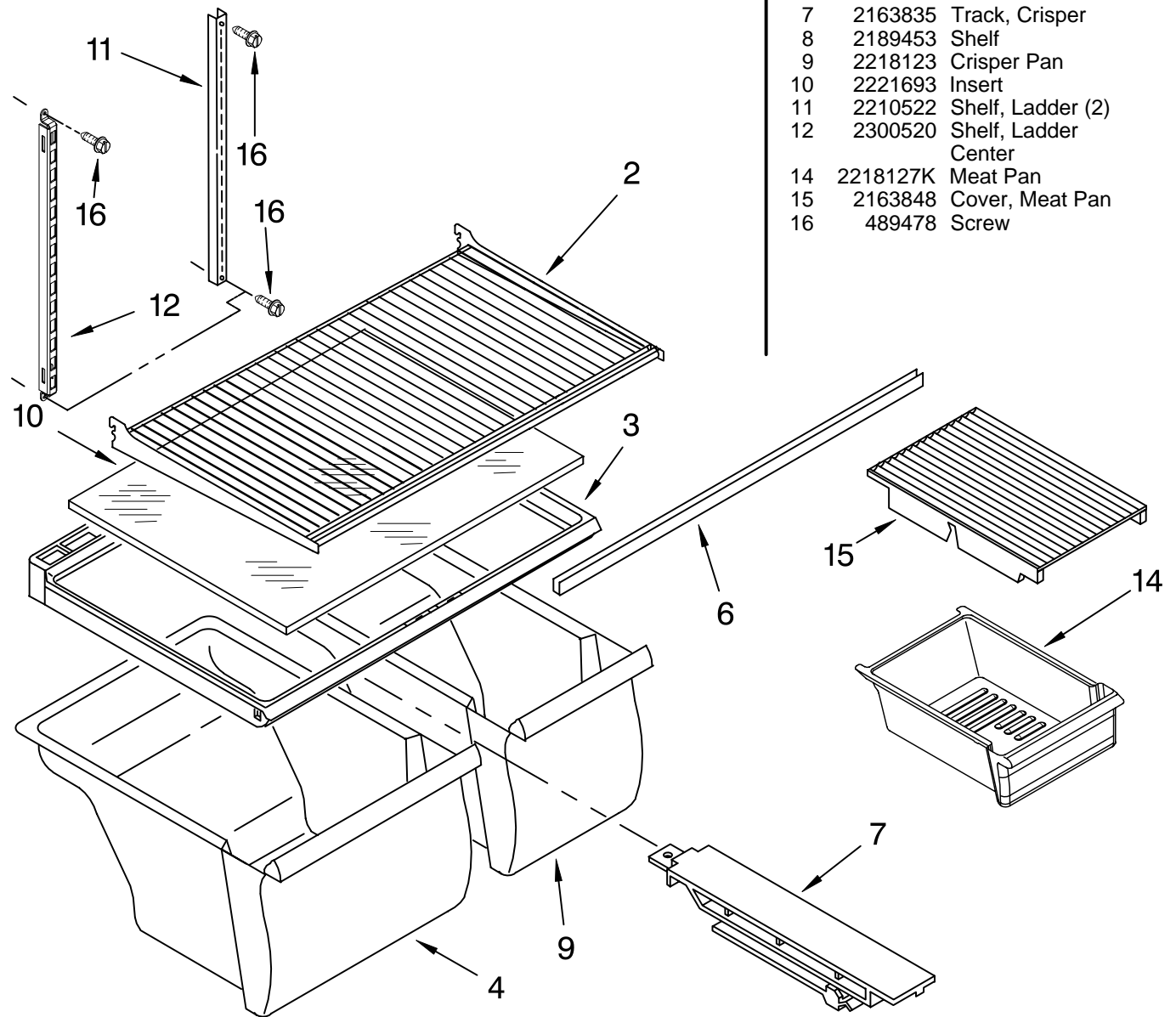
SHELF PARTS

For Models: ET8WTMXKQ07, ET8WTMXKT07
(White) (Biscuit)

FREEZER



REFRIGERATOR



| Illus. No. | Part No. | DESCRIPTION |
|------------|----------|-------------|
|------------|----------|-------------|

| | | |
|----|----------|------------------------|
| 1 | 2254352 | Ice Bucket |
| 2 | 2163856 | Shelf (2) |
| 3 | 2221752 | Cover, Crisper |
| 4 | 2218124 | Crisper Pan |
| 5 | 2163762 | Shelf, Cup Mtg. |
| 6 | 2172541 | Support, Crisper Cover |
| 7 | 2163835 | Track, Crisper |
| 8 | 2189453 | Shelf |
| 9 | 2218123 | Crisper Pan |
| 10 | 2221693 | Insert |
| 11 | 2210522 | Shelf, Ladder (2) |
| 12 | 2300520 | Shelf, Ladder Center |
| 14 | 2218127K | Meat Pan |
| 15 | 2163848 | Cover, Meat Pan |
| 16 | 489478 | Screw |

FOR ORDERING INFORMATION REFER TO PARTS PRICE LIST

OPTIONAL PARTS

For Models: ET8WTMXKQ07, ET8WTMXKT07
(White) (Biscuit)

| Illus. No. | Part No. | DESCRIPTION |
|------------|----------|-------------|
|------------|----------|-------------|

Parts Not Illustrated and
Optional Parts (Not Included)

Miscellaneous

- 978941 Insulation, Fiberglass (63-1/2" x 35-1/2" x 2-5/8")
- 212643 Sealer, Gum (4 Feet)
- 479502 Tape, Vinyl (3/4" x 108")
- 876305 Kit, Insulation (14 Pcs. 3" x 24" x 48")
- 876370 Kit, Insulation (2 Pcs. 3" x 24" x 48")
- 876029 Kit, Foam Slab (30" x 32-1/2" x 1-1/2")
- 505587 Sealer, Mastic (1 Qt.)
- 542638 Grease, Silicone (1/2 Oz.)
- 542639 Cement, Alumilastic (1-1/4 Oz.)
- 606755 Bag, Insulation (36-5/8" x 46")
- 799833 Kit, Evaporator Repair (Aluminum Epoxy)
- 503695 Cork Sealer (1/4 Pound)

| Illus. No. | Part No. | DESCRIPTION |
|------------|----------|-------------|
|------------|----------|-------------|

Customer Touch-Up Material

- *350942 Primer, White (12 Oz. Spray Can)
- *350939 Enamel, Black (12 Oz. Spray Can)
- *350930 Enamel, White (12 Oz. Spray Can)
- *4392901 Enamel, Biscuit (12 Oz. Spray Can)
- 72017 Brush Touch-Up Kit (White)
- 72032 Brush Touch-Up Kit (Black)
- 4392899 Brush Touch-Up Kit (Biscuit)

Refinishing Material

- 799344 Enamel, White (1 Qt. Uncut)
- 4392900 Enamel, Biscuit (1 Qt. Uncut)
- 833938 Kit, Terminal Connector

***Important:** The spray paint is not to be used where the paint may make contact with the door gaskets.

| Illus. No. | Part No. | DESCRIPTION |
|------------|----------|-------------|
|------------|----------|-------------|

TORX SCREW WRENCH

- 1117510 Torx Key