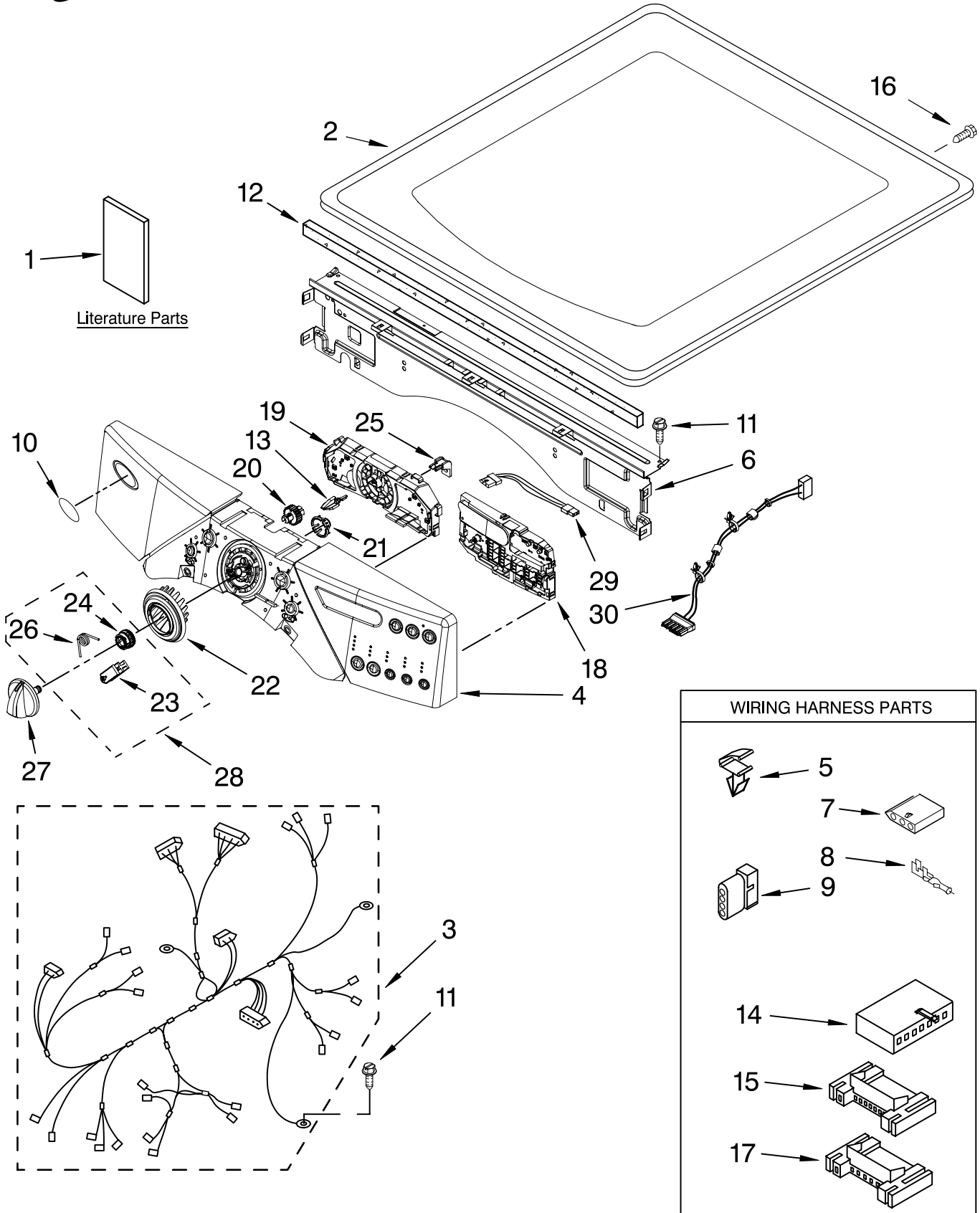




TOP AND CONSOLE PARTS

For Models: WGD9200SQ1
(Designer White)

GAS DRYER



FOR ORDERING INFORMATION REFER TO PARTS PRICE LIST

TOP AND CONSOLE PARTS

For Models: WGD9200SQ1

(Designer White)

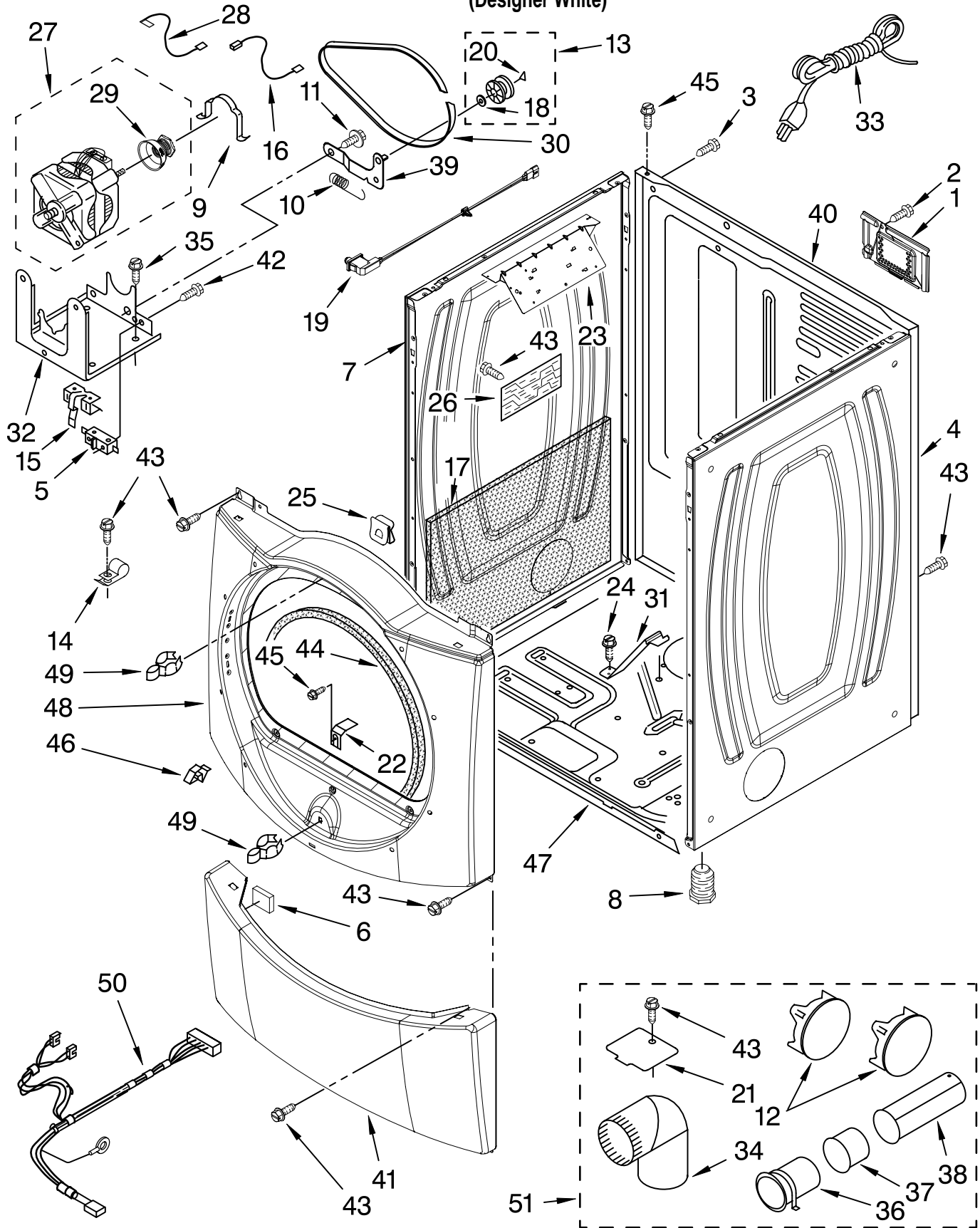
Illus. No.	Part No.	DESCRIPTION
1		Literature Parts
	W10151593	Use & Care Guide
	W10177461	Tech Sheet
	W10111226	Guide, Quick Start
2	3980634	Top
3	W10111011	Harness, Main
4	W10116694	Panel, Console (Includes Item: 20,21,22,27,28)
5	3394427	Clip, Harness
6	W10006840	Bracket, Console (Includes Item.12)
7	353424	Connector, Sensor
8	94614	Terminal
9	3936144	Plug, Terminal
10	W10117943	Badge
11	3390647	Screw, 8–18 x 1/2
12	W10112267	Foam–Seal Control Bracket
13	W10030070	Array, Power
14	3936150	Connector, 7–Circuit
15	3395683	Connector, (Motor)
16	3390647	Screw, 8–18 x 1/2
17	2203186	Connector, 5–Circuit
18	W10031420	User–Interface (Right)
19	W10031410	User Interface (Center) (Includes Item.13)
20	W10012430	Encoder–Wheel
21	W10012440	Retainer, Snap
22	W10012410	Knob, Light Ring (Includes: Illus. 21)
23	W10012810	Rast, Wheel Assembly (Service Only With Illus. 28)
24	W10012450	Detent Wheel (Service Only With Illus. 28)
25	W10112268	Clip, Harness (4)
26	W10012820	Knob, Spring (2) (Service Only With Illus. 28)
27	W10116701	Knob, Control
28	280230	Encoder–Wheel Kit (Includes Illus: 23, 24 & 26)
29	W10095960	Harness, Communication
30	W10111020	Power Cable, User–Interface

FOR ORDERING INFORMATION REFER TO PARTS PRICE LIST

CABINET PARTS

For Models: WGD9200SQ1

(Designer White)



FOR ORDERING INFORMATION REFER TO PARTS PRICE LIST

CABINET PARTS

For Models: WGD9200SQ1

(Designer White)

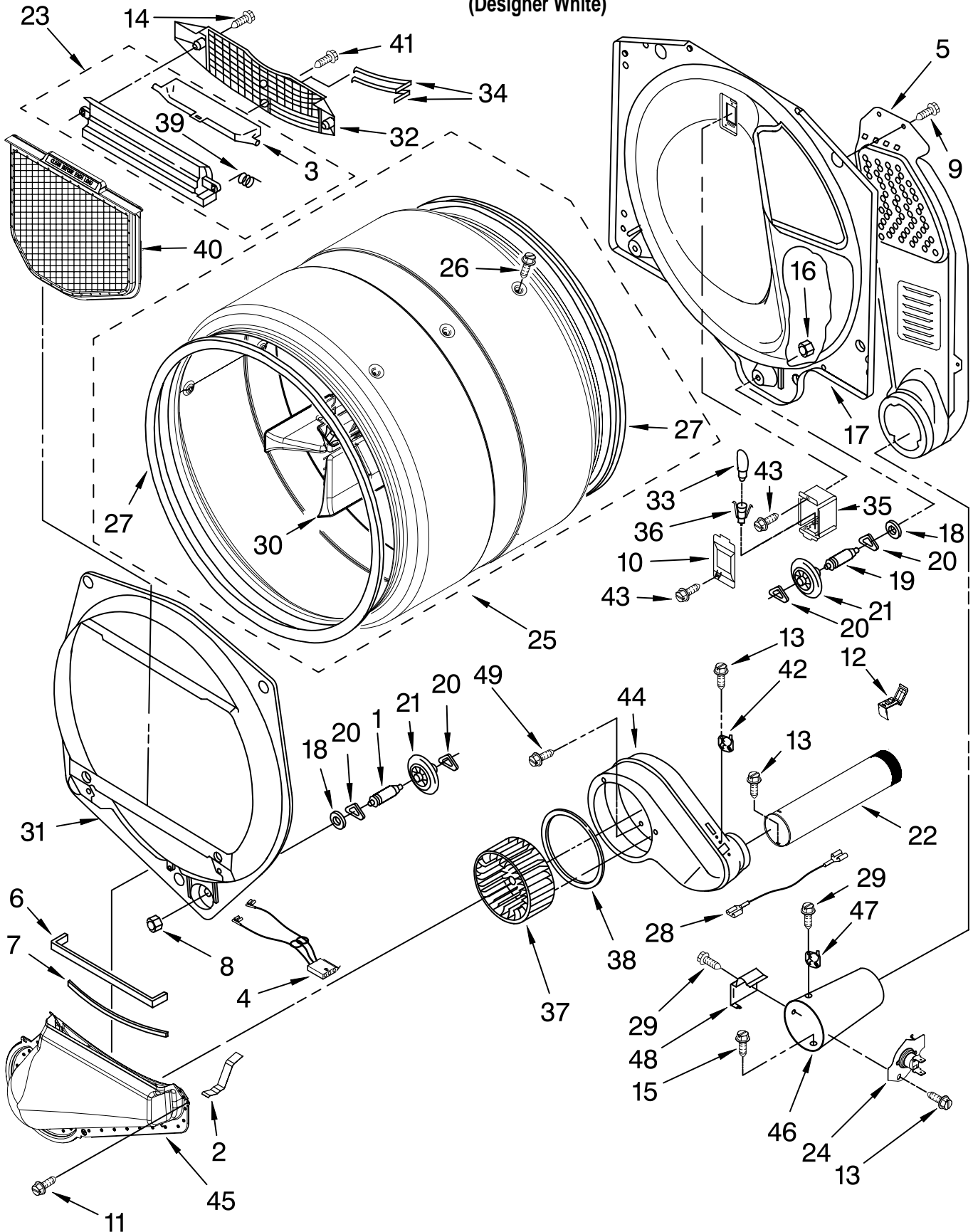
Illus. No.	Part No.	DESCRIPTION	Illus. No.	Part No.	DESCRIPTION	Illus. No.	Part No.	DESCRIPTION
1	8317340	Cover, Terminal Block	18	W10121334	Washer	39	3388674	Idler Bracket
2	3390814	Screw, 8-18 x 3/8	19	W10128087	Assembly, Door Switch	40	W10133207	Panel, Rear
3	98139	Screw, 8-32 x 5/8 (Ground)	20	690997	Tri Ring	41	W10116271	Panel, Toe
4	W10139003	Panel, Side (R.H.)	21	8066115	Cover-Plate	42	98129	Screw, 6-20 x 1 1/16
5	3394881	Switch, Broken Belt	22	8529053	Ramp, Door	43	3390647	Screw, 8-18 x 1/2
6	3389682	Space, Toe Panel	23	8563727	Bracket, Control	44	3387242	Seal, Front Panel
7	W10138989	Panel, Side (L.H.)	24	693995	Screw, 8-18 x 3/8	45	3393008	Screw, 10-16 x 1/2
8	3392100	Foot, Dryer	25	62825	Clip-S Type	46	8519459	Clip, Toe Panel
	279810	Foot - Optional (Extended Length Package Of 2) (Not Included)	26	W10182366	Control Board	47	8519207	Base, Cabinet
9	660658	Clamp, Motor (2)	27	8538263	Motor Assembly 60 HZ.	48	W10180423	Front Panel (Includes Illus. 44)
10	3387374	Spring, Idler	28	3398948	Wire, Jumper (Broken Belt Switch)	49	696144	Strike, Door (2)
11	3389420	Retainer, Idler	29	8578220	Pulley 60 HZ.	50	W10181464	Harness, Digital Interface
12	697750	Plug, Multivent	30	3387610	Belt, Drive	<hr/> Optional Parts Not Included <hr/>		
13	3388672	Pulley Assembly	31	8529757	Bracket, Burner	<hr/> Dryer Exhaust Kit (For Side & Bottom Venting) <hr/>		
14	3978776	Bracket, Gas Pipe	32	3387118	Bracket, Motor			
15	8066120	Lever, Snap Switch	33	3401401	Cord, Power			
16	W10167612	Wire, Belt Switch	34	49026	4" - 90° Elbow			
17	W10128772	Sound Panel	35	343641	Screw, 10-16 x 1/2			
			36	8563747	Exhaust Pipe & Bracket	51	279818	White
			37	8563750	Exhaust Pipe (Short)			
			38	8563749	Exhaust Pipe (Long)			

FOR ORDERING INFORMATION REFER TO PARTS PRICE LIST

BULKHEAD PARTS

For Models: WGD9200SQ1

(Designer White)



FOR ORDERING INFORMATION REFER TO PARTS PRICE LIST

BULKHEAD PARTS

For Models: WGD9200SQ1

(Designer White)

Illus. No.	Part No.	DESCRIPTION	Illus. No.	Part No.	DESCRIPTION	Illus. No.	Part No.	DESCRIPTION
1	8575324	Shaft, R.H. Thread	16	W10001120	Nut, 3/8-16 (L.H.)	34	3387223	Electrode, Sensor
2	8066208	Clip-Spring	17	W10080170	Bulkhead, Rear	35	8578825	Bracket, Drum Light
3	3394984	Door, Lint Screen	18	3387459	Washer, Support	36	W10136369	Socket Assembly
4	3406653	Harness, Sensor	19	8575325	Shaft, L.H. Thread	37	697772	Wheel, Blower
5	3394346	Air Duct Assembly	20	690997	Ring, Tri	38	697770	Seal, Plate Cover
6	697813	Seal, Outlet Housing	21	8536973	Roller, Support	39	3394986	Spring, Lint Screen Door
7	697814	Seal, Drum Front	22	8563745	Exhaust Pipe	40	W10049370	Lint, Screen
8	3934666	Nut, 3/8 x 16(R.H.)	23	3394985	Housing, Outlet	41	695240	Screw, 8-18 x 1/2
9	3390647	Screw, 8-18 x 1/2	24	8573713	Thermal-Cutoff	42	8577274	Thermistor
10	3402841	Lens, Drum Light	25	W10181466	Complete Drum Assembly	43	487909	Screw, 8-15 x 1/2
11	359625	Screw, 8-18 x 1/2	26	W10109200	Screw, 11-16 x 3/4	44	8544362	Housing, Blower
12	8572105	Clip, Exhaust Pipe	27	697694	Seal, Drum	45	8066168	Lint Duct Assembly
13	8533971	Screw, 8-18 x 5/16	28	3401710	Jumper-Tco Hi-Limit	46	8573824	Funnel, Burner
14	3387230	Screw, 10-16 x 1	29	90767	Screw, 8-18 x 3/8	47	8573028	Thermostat, High-Limit 205°F (96°C)
15	693995	Screw, 8-18 x 3/8	30	W10166807	Baffle, Drum	48	338906	Sensor, Radiant
			31	8519245	Bulkhead, Front	49	489463	Screw, 8-18 x 5/8
			32	8299979	Grille, Outlet			
			33	3406124	Bulb, Light			

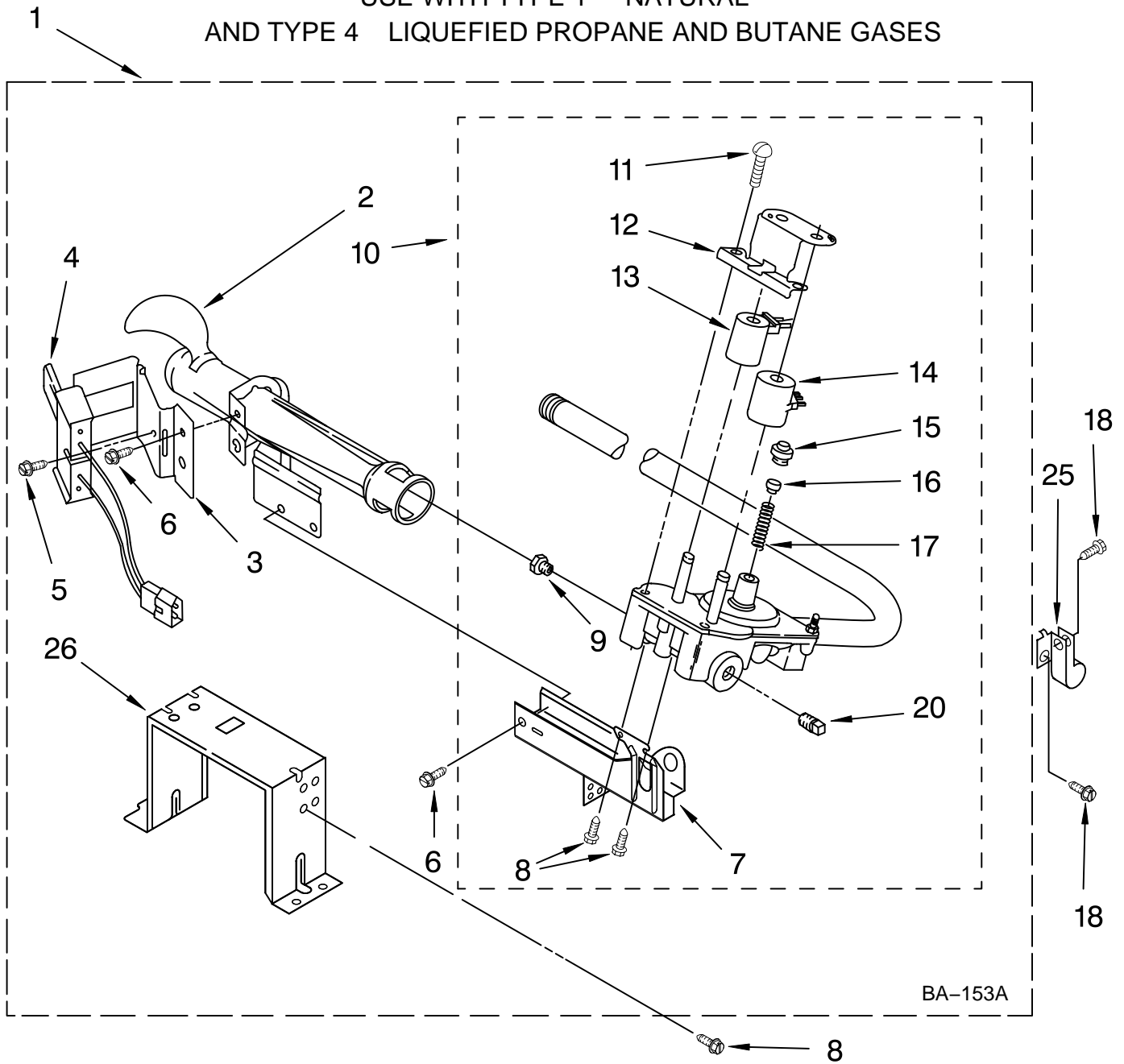
FOR ORDERING INFORMATION REFER TO PARTS PRICE LIST

8576353 BURNER ASSEMBLY

For Models: WGD9200SQ1

(Designer White)

USE WITH TYPE 1 – NATURAL
AND TYPE 4 LIQUEFIED PROPANE AND BUTANE GASES



FOR ORDERING INFORMATION REFER TO PARTS PRICE LIST

8576353 BURNER ASSEMBLY

For Models: WGD9200SQ1

(Designer White)

USE WITH TYPE 1 – NATURAL
AND TYPE 4 LIQUEFIED PROPANE AND BUTANE GASES

Illus. No.	Part No.	DESCRIPTION
1	8576353	Burner Assembly 60 Hz. (Type 1) (White Rodgers)
2	688617	Tube, Burner
3	694298	Bracket, Ignitor
4	686590	Ignitor
5	3393909	Screw & Washer (8-32 x 7/8)
6	343641	Screw, 10-16 x 1/2
7	3389871	Base, Burner
8	3387057	Screw, 8-18 x 3/8
9		Orifice, Burner 15418 Type 1 15422 Type 4 (Butane) 234867 Type 4 (Propane)
10	W10118347	Valve, Gas 60 Hz. (Complete) (Includes Pipe & Illus. #7).
11	694421	Screw, 8-32 x 1/2 (2)
12	694538	Bracket, Coil
13	694540	Coil, 60 Hz. (2 Terminal) (Main)
14	694539	Coil, 60 Hz. (Split) (3 Terminal) (Pilot Position)
15	694424	Leak, Limiter
16	694423	Screw, Regulator Adjustment
17	694422	Spring, Regulator
18	3390647	Screw, 8-18 x 1/2
20	239822	Plug, Pipe
25	3387561	Clamp, Pipe
26	3389889	Bracket, Support

Following Parts Not Illustrated

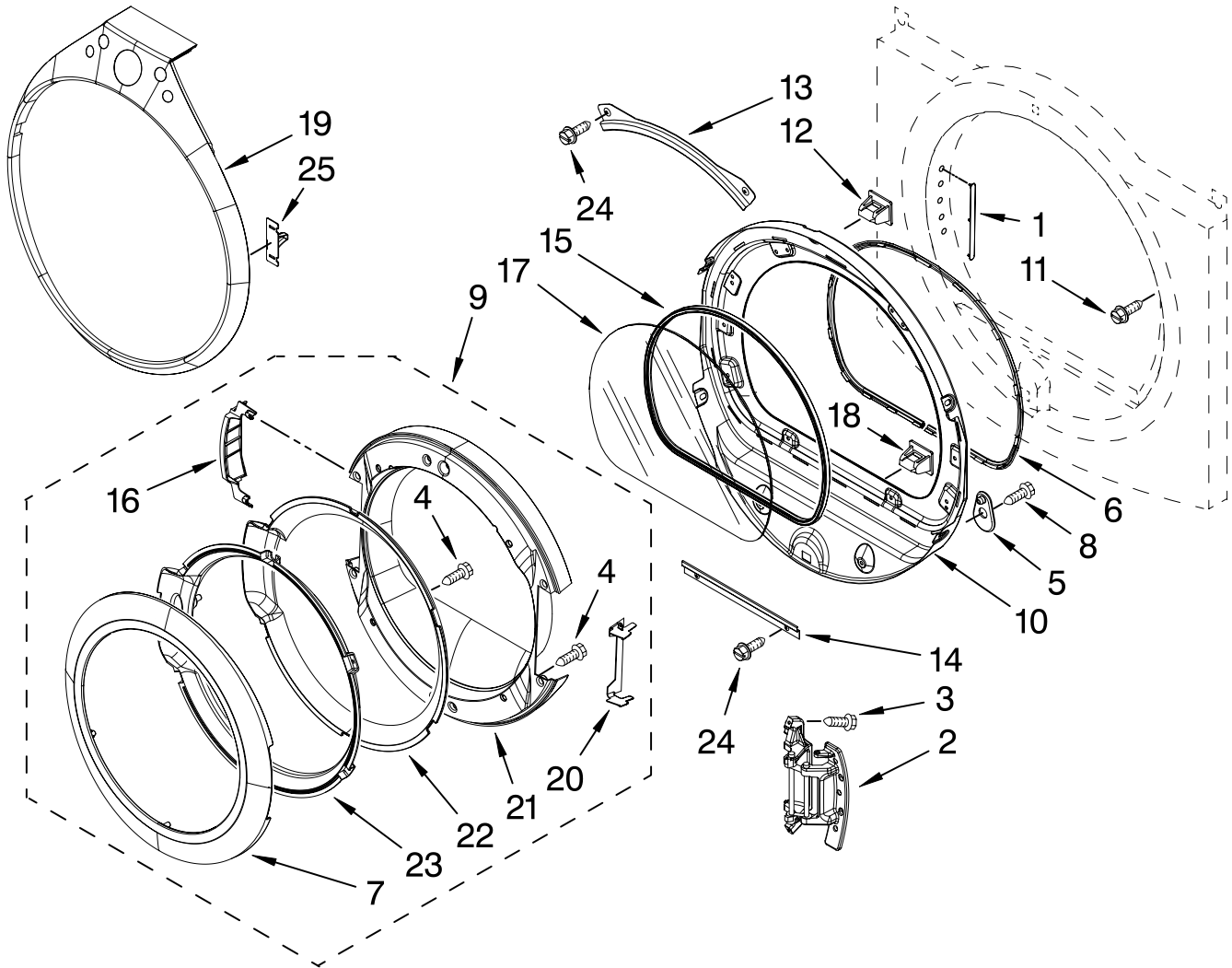
8576846 Conversion Kit
(Type 1)
to Type (4) LPG).

BA-153A

FOR ORDERING INFORMATION REFER TO PARTS PRICE LIST

DOOR PARTS

For Models: WGD9200SQ1
(Designer White)



Illus. No.	Part No.	DESCRIPTION
1	W10085210	Label, Hinge Hole
2	W10139920	Door Hinge Assembly
3	W10159996	Screw, 10-24 x 3/64
4	9742177	Screw, 8-18 x 5/8
5	W10048910	Screw-Plug
6	W10139457	Seal-Door
7	8578154	Handle, Door Ring Assembly
8	3400224	Screw, 10-16 x 1/2
9	W10180111	Door Assembly (Outer)

Illus. No.	Part No.	DESCRIPTION
10	8578229	Door Assembly (Inner) (Includes Illus. 12)
11	355515	Screw, 8-18 x 11/16
12	3398175	Door Catch Assembly (Upper)
13	8519356	Retainer-Window (Upper)
14	8519354	Retainer-Window (Lower)
15	8579662	Seal-Window
16	W10180119	Cover-Hinge, Stationary (LH) (Following Parts Not Included)
	W10181197	Cover Hinge Stationary (RH)

Illus. No.	Part No.	DESCRIPTION
17	8566254	Window
18	690081	Door Catch Assembly (Lower)
19	W10180493	Tear-Drop Trim & Clip Assembly
20	W10180120	Door Shield
21	W10180118	Door-Intermediate
22	W10180117	Door Mask
23	8578155	Door Screen
24	3393258	Screw, 10-16 x 3/64
25	W10129065	Clip, Trim (8)

FOR ORDERING INFORMATION REFER TO PARTS PRICE LIST

OPTIONAL PARTS (NOT INCLUDED)

For Models: WGD9200SQ1

(Designer White)

Illus. No.	Part No.	DESCRIPTION
-------------------	-----------------	--------------------

PAINT, TOUCH-UP (1/2oz.)

72017 White

PAINT, PRESSURIZED SPRAY (12 oz.)

350930 White
350938 Primer, Gray

PAINT, BULK (1 qt.)

799344 White (Uncut)

ACCESSORY PARTS

8529894 Kit,
Hold Down
8579666A Kit,
Door Reversing
8541503 Kit,
Stack Assembly
8521957 Dry Rack
80047 Kit,
Dryer Repair