



Washing Rinsing Drying Clean Sanitized

Quiet Partner IV

GLASS XPRESS RINSE ONLY

PowerScour HI-TEMP WASH SANI-RINSE HEATED DRY

OPTIONS

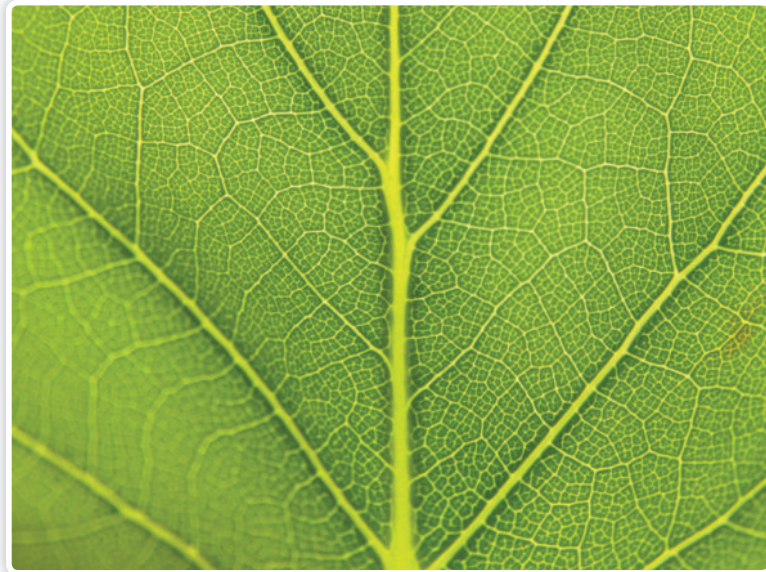


DISHWASHERS 2010

ALWAYS INNOVATING. NEVER COMPROMISING.



Whirlpool Corporation World Headquarters in Benton Harbor, MI, U.S.A.



Whirlpool brand appliances are designed to give you the unmatched efficiency and performance that makes us the time-tested leader in the industry. Our appliances demonstrate our passion for innovation through advanced technology and intuitive design. With nearly 100 years of appliance experience, we're devoted to our ongoing pursuit of perfection.

Our dishwashers offer consistent cleaning, larger capacity and the industry's best resource efficiency, so you can clean even more dishes in fewer loads while saving money on utility bills.



Since 1999 Whirlpool Corporation has donated a range and an ENERGY STAR® qualified refrigerator to every new Habitat home built in North America. Together, we can eliminate substandard housing, one family at a time. Join us.



Many Whirlpool Corporation products are proudly assembled in the U.S.A. Whirlpool Corporation employs more than 20,000 American workers to provide our world-class appliances and exceptional service.



As part of Whirlpool Corporation's ongoing commitment to well-managed forests, all of the paper in this catalog comes from forests in compliance with the Forest Stewardship Council standards for Responsible Forest Management.



- 4 Efficiency
- 6 Whirlpool Gold® Dishwashers
- 12 Whirlpool® Dishwashers
- 18 Portable Dishwasher, Garbage Disposers & Trash Compactors
- 20 Accessories
- 22 Glossary
- 24 Specifications





CONSERVATION REALLY IS THIS EASY

Whirlpool brand is leading the way in providing efficient appliances that deliver excellent cleaning results while using less water and less energy. Our commitment to making eco-friendly appliances continues with a full lineup of ENERGY STAR® qualified dishwashers and innovations like the Resource Saver™ wash system and the Eco cycle. Not only that, we're dedicated to providing advanced solutions that save one of the most precious resources—your time.

HOW RESOURCE SAVER™ DISHWASHERS SAVE



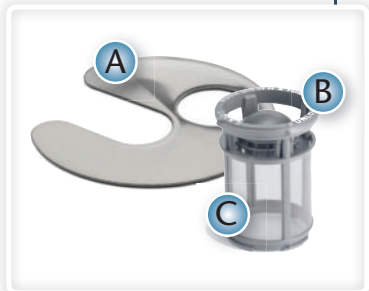
RESOURCE SAVER™ WASH SYSTEM

Dishwashers with this system feature spray arms equipped with specially designed pressurized nozzles that provide focused cleaning to every dish. These fan-shaped jets distribute cleaning power more efficiently, saving more water and energy than ever before.



POWERSCOUR™ OPTION

This smart cleaning option uses 36 targeted spray jets in a designated wash area to tackle your toughest dishes without using an additional drop of water.



FILTRATION

The three-stage filtration system in a Resource Saver™ dishwasher strains water through a filter plate (A), coarse filter (B) and fine mesh filter (C) to remove food particles and other soils.

This unparalleled filtration system is essential to providing an outstanding clean while using less water and energy.



RESOURCE SAVER™ WASH SYSTEM



Deep cleans a full load of dishes using 1/3 less water and energy.* These dishwashers exceed

ENERGY STAR® guidelines with an eco-friendly CEE Tier I** qualification making Whirlpool Gold® dishwashers with the Resource Saver™ wash system our most efficient ever. (Learn how it works on page 5.)

POWERSOUR™ OPTION



Targeted spray jets scour away baked-on food without soaking or scrubbing. The PowerScour™ option uses 36 spray jets and a designated wash area to tackle your toughest dishes without using an additional drop of water. No scrubbing by hand. No more dishes soaking in the sink.

*Compared to dishwashers manufactured before 2000. **The CEE Tier system is based on the Consortium for Energy Efficiency qualified product listings.

WHIRLPOOL GOLD® DISHWASHER INNOVATION



FULLY INTEGRATED CONTROLS

Get the ultimate integration of style and function. Fully integrated electronic controls add a modern accent to your kitchen. The control panel is hidden away to provide a sleek exterior while preventing unwanted cycle changes or accidental operation.

ANYWARE™ PLUS SILVERWARE BASKET

Designed to fit in three places for maximum flexibility. Put it on the front of the rack or in the door for 100% usable rack space, or use it in the bottom rack.

NOTE: Not all features are available on all models.

WHIRLPOOL GOLD® DISHWASHER FEATURES

**30
DAY**
MONEY BACK
CLEAN & QUIET
GUARANTEE

All Whirlpool Gold® dishwashers are guaranteed to clean better and operate more quietly than your previous model. If you are not satisfied, Whirlpool Corporation will take it back and refund the full price.* Learn more at whirlpool.com.



*Must be returned within 30 days of the purchase date.

NYLON DISH RACKS

Durable nylon rack coating resists rust and helps prevent scratching. These long-lasting nylon racks stand the test of time and help keep dishes from being chipped.

QUIET PARTNER™ SOUND PACKAGES

Whirlpool brand dishwashers offer many levels of sound-reducing insulation. The Quiet Partner™ V sound package minimizes dishwasher noise for our quietest dishwashers ever.

GLASS XPRESS™ & SPEED WASH CYCLES

Wash glassware or lightly soiled items in just 30 minutes with the Glass Xpress™ cycle. When you need clean dishes in a hurry, use the Speed Wash cycle and run a full load in just one hour—less than half the time of other wash cycles.

ADAPTIVE WASH CYCLE

Uses dual sensors to determine the size of the load and the dirtiness of the dishes. It automatically selects the appropriate cleaning level and cycle duration to save both time and water.

EZ-2-LIFT™ ADJUSTABLE UPPER RACK

Easily adjust the upper rack 2" up or down to fit larger items in the lower or the upper rack.

NSF CERTIFIED SANI RINSE OPTION

Makes sure dishes are thoroughly disinfected with a high temperature rinse. This option is certified by NSF International for sanitization, eliminating 99.999% of food soil bacteria.

TALL TUB DESIGN

Lets you load tall and odd-shaped items in both racks. An additional 3" of interior space compared to standard tub models makes room for extra-large items in the lower rack and plates or sports bottles in the upper rack.

FEWEST REPAIRS

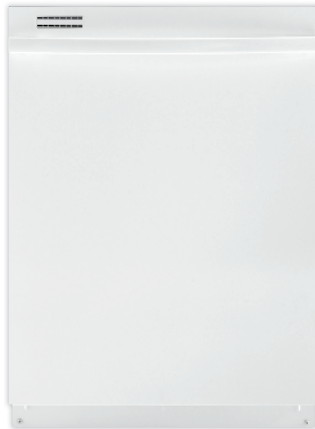
Whirlpool® dishwashers are designed to endure repeated use so you can save money on maintenance and repairs. No one has fewer dishwasher repairs 13 years in a row.**



**According to a leading consumer magazine.
NOTE: Not all features are available on all models.

WHIRLPOOL GOLD® DISHWASHERS

Blue highlight denotes a step-up feature.



GU2275XTV Q | B | Y

- ENERGY STAR® qualified
- Slate plastic Tall Tub
- Quiet Partner™ III sound package
- 5-level SheerClean™ direct feed wash system
- Fully integrated electronic controls
- Adaptive Wash cycle
- Glass Xpress™ cycle
- NSF Certified Sani Rinse option
- Nylon racks
- Adjustable upper rack
- AnyWare™ Plus silverware basket



GU2300XTV Q | B | T | S

PowerScour™ option

- ENERGY STAR® qualified
- Slate plastic Tall Tub
- Quiet Partner™ III sound package
- 5-level SheerClean™ direct feed wash system
- Adaptive Wash cycle
- Glass Xpress™ cycle
- NSF Certified Sani Rinse option
- Nylon racks
- Adjustable upper rack
- AnyWare™ Plus silverware basket



GU2475XTV Q | B | Y

Quiet Partner™ IV sound package
Fully integrated electronic controls

- ENERGY STAR® qualified
- Slate plastic Tall Tub
- 5-level SheerClean™ direct feed wash system
- Adaptive Wash cycle
- Glass Xpress™ cycle
- PowerScour™ option
- NSF Certified Sani Rinse option
- Nylon racks
- Adjustable upper rack
- AnyWare™ Plus silverware basket



All Whirlpool Gold® dishwashers are ENERGY STAR® qualified to help conserve natural resources and save money on utility bills.



The Sani Rinse option is certified by NSF International for sanitization, eliminating 99.999% of food soil bacteria.



If you are not completely satisfied that your new Whirlpool Gold® dishwasher is quieter and cleans better than your previous model, Whirlpool Corporation will take it back within 30 days of the date of purchase and refund the full price to you.



All Whirlpool Gold® dishwashers feature electronic controls and control locks.

**GU2800XTV** Q | B | T | S | Y

ENERGY STAR® qualified - CEE Tier I rated*
Resource Saver™ wash system
Quiet Partner™ V sound package
Speed Wash cycle
EZ-2-Lift™ adjustable upper rack

Slate plastic Tall Tub
Adaptive Wash cycle
PowerScour™ option
NSF Certified Sani Rinse option
Nylon racks
AnyWare™ Plus silverware basket

**GU3100XTV** Q | B | S

Stainless Steel Tall Tub
ADA compliant

ENERGY STAR® qualified
Quiet Partner™ IV sound package
5-level SheerClean™ direct feed wash system
Nylon racks
In-the-Rack silverware basket

**GU3600XTV** Q | B | Y

ENERGY STAR® qualified - CEE Tier I rated*
Resource Saver™ wash system
Quiet Partner™ V sound package
Adaptive Wash cycle
Speed Wash cycle
PowerScour™ option
NSF Certified Sani Rinse option
EZ-2-Lift™ adjustable upper rack
AnyWare™ Plus silverware basket

Stainless Steel Tall Tub
Nylon racks



NO ONE HAS FEWER REPAIRS
13 YEARS
IN A ROW™

Whirlpool® dishwashers are designed to endure repeated use so you can save money on maintenance and repairs. No one has fewer dishwasher repairs 13 years in a row.**

AVAILABLE COLORS

Q | White



B | Black



T | Biscuit



S | Stainless Steel

Y | Monochromatic
Stainless Steel

*The CEE Tier system is based on the Consortium for Energy Efficiency qualified product listings.

**According to a leading consumer magazine.



ENERGY STAR® QUALIFICATION

Whirlpool® dishwashers exceed government standards to help conserve natural resources and save money on utility bills. Models DU1010XTX and DU1030XTX surpass ENERGY STAR® qualification with an eco-friendly CEE Tier I* rating—no dishwashers are more efficient.**

ECO CYCLE

This cycle on select models helps save money on energy bills and is our most efficient dishwasher cycle.* It's great for cleaning lightly to moderately soiled dishes.

*The CEE Tier system is based on the Consortium for Energy Efficiency qualified product listings.

**Based on ENERGY STAR® qualifications among leading dishwasher brands MSRP \$399 and below. *Available on Whirlpool® models \$399 and below.



TALL TUB DESIGN

Lets you load tall and odd-shaped items in both racks. An additional 3" of interior space compared to standard tub models makes room for even more extra-large pans and dishes. Select models feature the tallest tubs available among leading dishwasher brands MSRP \$399 and below.

1-HOUR WASH CYCLE

Delivers great wash performance in nearly half the time.** This hour-long cycle lets you thoroughly clean your dirtiest dishes when you are in a rush.

**Compared to normal cycle with lightly soiled loads.
NOTE: Not all features are available on all models.

WHIRLPOOL® DISHWASHER FEATURES

NO ONE HAS FEWER REPAIRS
13 YEARS
IN A ROW*

Whirlpool® dishwashers are designed to endure repeated use so you can save money on maintenance and repairs. No one has fewer dishwasher repairs 13 years in a row.*



*According to a leading consumer magazine.

ANYWARE™ PLUS SILVERWARE BASKET

Designed to fit in three places for maximum flexibility. Put it on the front of the rack or in the door for 100% usable rack space, or use it in the bottom rack.

NYLON DISH RACKS

Durable nylon rack coating resists rust and helps prevent scratching. These long-lasting nylon racks stand the test of time and help keep dishes from being chipped.

QUIET PARTNER™ SOUND PACKAGES

Whirlpool brand dishwashers offer many levels of quiet operation with this system of sound-reducing insulation.

NSF CERTIFIED SANI RINSE OPTION

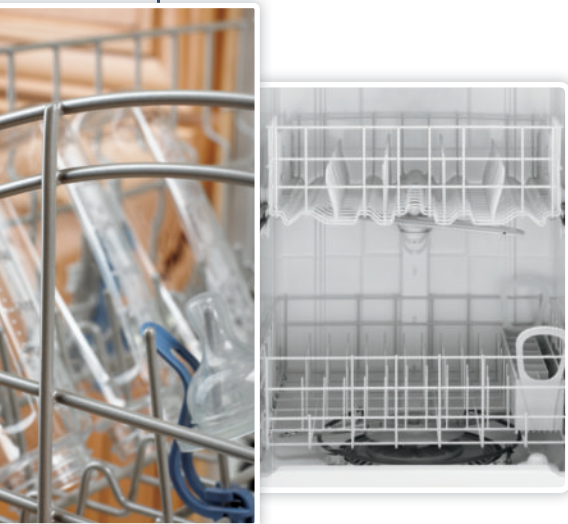
Makes sure dishes are thoroughly disinfected with a high temperature rinse. This option is certified by NSF International for sanitization, eliminating 99.999% of food soil bacteria.

AUTO SOIL SENSOR

Optimizes every cycle for reliable cleaning results. When activated, this sensor measures soil in the wash water to determine how dirty dishes are, then adjusts the cycle accordingly. It automatically recalibrates the load after every 250 cycles for maximum performance.

SHEERCLEAN™ DIRECT FEED WASH SYSTEM

Channels water up and out of the back and top of the dishwasher to powerfully clean from four to five different angles. The filter keeps wash water clean and delivers sparkling-clean dishes every time. With no cleaning tower in the middle of the tub, there's more room for larger loads of dishes.



NOTE: Not all features are available on all models.

WHIRLPOOL® DISHWASHERS

Blue highlight denotes a step-up feature.



DU1010TX Q | B | T | D

ENERGY STAR® qualified – CEE Tier I rated*
White plastic Tall Tub
Quiet Partner™ I sound package
4-level SheerClean™ direct feed wash system
Control lock
1-Hour Wash cycle
Vinyl racks
In-the-Rack silverware basket



DU1030TX Q | B | T | S

Eco cycle
NSF Certified Sani Rinse option
Adjustable, In-the-Rack silverware basket

ENERGY STAR® qualified – CEE Tier I rated*
White plastic Tall Tub
Quiet Partner™ I sound package
4-level SheerClean™ direct feed wash system
1-Hour Wash cycle
Vinyl racks



All Whirlpool® dishwashers are ENERGY STAR® qualified to help conserve natural resources and save money on utility bills.



The Sani Rinse option is certified by NSF International for sanitization, eliminating 99.999% of food soil bacteria.



*The CEE Tier system is based on the Consortium for Energy Efficiency qualified product listings.
All Whirlpool® dishwashers feature electronic controls.

**DU1055XTV** Q | B | T | D | S

Quiet Partner™ II sound package
5-level SheerClean™ direct feed wash system
Auto soil sensor
Control lock
Soak & Scour option
AnyWare™ Plus silverware basket

ENERGY STAR® qualified
White plastic Tall Tub
NSF Certified Sani Rinse option
Vinyl racks

**DU1300XTV** Q | B | T | S

Nylon racks

ENERGY STAR® qualified
White plastic Tall Tub
Quiet Partner™ II sound package
5-level SheerClean™ direct feed wash system
Auto soil sensor
Control lock
Soak & Scour option
NSF Certified Sani Rinse option
AnyWare™ Plus silverware basket

AVAILABLE COLORS

Q | White



B | Black



T | Biscuit



D | Universal Silver



S | Stainless Steel

NO ONE HAS FEWER REPAIRS
13 YEARS
IN A ROW™

Whirlpool® dishwashers are designed to endure repeated use so you can save money on maintenance and repairs. No one has fewer dishwasher repairs 13 years in a row.**

**According to a leading consumer magazine.

PORTABLE DISHWASHER



DP1040XTX Q | B

- ENERGY STAR® qualified
- White plastic Tall Tub
- Quiet Partner™ I sound package
- 4-level SheerClean™ direct feed wash system
- Electronic controls
- Eco cycle
- 1-Hour Wash cycle
- Vinyl racks
- In-the-Rack silverware basket

GARBAGE DISPOSERS

Blue highlight denotes a step-up feature.



GC1000XE/PE*

- 1/3-HP motor
- Locked-in mounting
- Continuous-feed operation
- Overload protector
- Manual reset



GC5000XE

- 3/4-HP motor
- Stainless steel grinding wheel
- Sound insulation
- Locked-in mounting
- Continuous-feed operation
- Overload protector
- Manual reset



GC2000XE/PE*

- 1/2-HP motor
- Locked-in mounting
- Continuous-feed operation
- Overload protector
- Manual reset

*GC1000PE and GC2000PE also available with plug and cord.

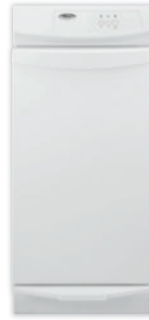
TRASH COMPACTORS

Blue highlight denotes a step-up feature.



TU800SPP Q | B

- 1.4 cu. ft. capacity
- Undercounter
- Knob On/Off/Start
- Touch-Toe™ drawer opener
- Easy Rollers™ installation wheels
- 1/3-HP motor
- 4-to-1 Compaction ratio



GC900QPP Q | B

Convertible freestanding-to-built-in

- 1.4 cu. ft. capacity
- Touch pad controls
- Clean Touch™ console
- Touch-Toe™ drawer opener
- “Hidden” removable key control knob
- Easy Rollers™ installation wheels
- 1/3-HP motor
- 4-to-1 Compaction ratio
- Tilt-Away trash basket



GX900QPP Q | B | T | S

- Touch pad controls
- Clean Touch™ console
- “Hidden” removable key control knob
- Tilt-Away trash basket

- 1.4 cu. ft. capacity
- Undercounter
- Touch-Toe™ drawer opener
- Easy Rollers™ installation wheels
- 1/3-HP motor
- 4-to-1 Compaction ratio



All Whirlpool® trash compactors feature a wrap-around drawer panel, automatic anti-jam, front levelers/rear rollers, bag retainer buttons, side release bin and tilt switch.

TRASH COMPACTOR FEATURES

TOUCH PAD CONTROLS

No dials to turn. No switches to flip. Touch pad controls make trash compacting easy with the simple touch of a button.

TOUCH-TOE™ DRAWER OPENER

A light tap of the toe does the trick to release the trash compactor drawer when your hands are full.



HIDE THE TRASH

Minimize trips to the trash can with a built-in trash compactor that organizes and streamlines your kitchen.

ACCESSORIES

DISHWASHER CUSTOM PANELS & OPTIONAL ACCESSORY KITS

| | WHITE | BISCUIT | BLACK | STAINLESS STEEL |
|--|---------|---------|---------|-----------------|
| MODELS: DU1055XTV, DU1300XTV, GU2275XTV, GU2300XTV, GU2475XTV, GU2800XTV, GU3100XTV & GU3600XTV | | | | |
| 4" Console Trim Kit* | 4396200 | 4396201 | 4396199 | |
| 4" Wrap Around Panel | | | | 8171777 |
| Side Panel Kit | 8171656 | 8171658 | 8171657 | 8171659 |

*Trim Kit accommodates both a framed and frameless custom panel design.
6" custom panels for models DU1010XTX, DU1030XTX and DP1040XTX are not available at this time.

Power Cord (all models) Part #4317824.

MOUNTING KITS



For easy dishwasher installation, choose one of these mounting kits.

Part #8171477

| | | |
|--|--|---------|
| MODEL: GU3600XTV | | |
| Floor Mounting Kit | | 8171477 |
| MODELS: DU1030XTX & DP1040XTX | | |
| Side Mounting Kit | | 4396194 |

HOSES



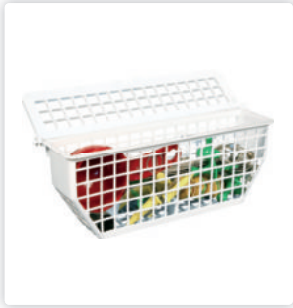
Part #W10278625RP

| HOSE | MODEL NUMBER |
|------------------|--------------|
| 4' Red EPDM hose | W10278625RP |
| 5' Red EPDM hose | W10278626RP |
| 6' Red EPDM hose | W10278627RP |
| 6' Braided hose | W10278635RP |
| 6' Red EPDM hose | W10278627RC |
| 6' Braided hose | W10278636RC |

Hoses include brass elbow, brass swivel and gooseneck fittings.

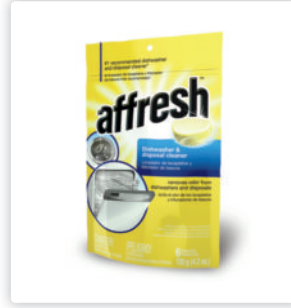
To acquire pricing information, order Whirlpool® cleaning accessories, and determine delivery time, visit whirlpool.com/accessories or call **1-800-462-3819**.

CLEANING & CONVENIENCE



SMALL ITEMS BASKET

Fits all Whirlpool® dishwashers. It holds baby items, jar lids and other small utensils that would normally slip through the dishwasher rack. (3370993RB)



AFFRESH™ DISHWASHER & DISPOSAL CLEANER

Use once a month or as needed for a cleaner, fresher dishwasher and disposal. These innovative tablets help prevent odor and remove stubborn stains. (W10282479)



WHITE DISHWASHER RACK REPAIR KIT

This kit has everything you need to repair your dishwasher rack tines. It contains 150 tine tips, a 4-oz bottle of vinyl touch-up paint/adhesive with a brush and instruction sheet. (4396838RC)



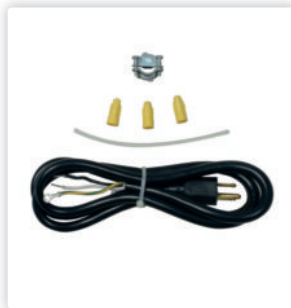
SMALL ITEMS BAG

Holds extra-small utensils, contact cases and other small items that would normally slip through the dishwasher rack. (8519716)



SWIVEL GOOSENECK FITTING

Space-saving 90° design makes this $\frac{3}{4}$ " x $\frac{3}{8}$ " elbow hose fitting perfect for easy dishwasher installation. A $\frac{3}{8}$ " brass compression fitting is included. (W10273460)



3-PRONG DISHWASHER POWER SUPPLY KIT

This straight, 6' kit fits dishwashers from most major brands and includes a power cord, wire nuts and instructions. (4317824RP)

GLOSSARY

1-Hour Wash cycle

Delivers great wash performance in nearly half the time.* This hour-long cycle lets you thoroughly clean your dirtiest dishes when you are in a rush.

ADA Compliant

Provides adjustable height from 32 $\frac{1}{2}$ " to 34 $\frac{1}{2}$ ", making this dishwasher ideal for height constrained installation and compliant with the Americans with Disabilities Act.

Adaptive Wash cycle

Uses dual sensors to determine the size of the load and the soil level of dishes. It automatically selects the appropriate cleaning level and cycle duration to save time, water and energy.

Adjustable upper rack

Manually raise or lower the upper rack to better fit tall or odd-shaped items in either rack.

AnyWare™ Plus silverware basket

Designed to fit in three places for maximum flexibility. Put it on the front of the rack or in the door for 100% usable rack space, or use it in the bottom rack.

Auto soil sensor

Optimizes every cycle for reliable cleaning results. This sensor measures soil in the wash water to determine how dirty dishes are, then adjusts the cycle accordingly. It automatically recalibrates the load after every 250 cycles for maximum performance.

CEE Tier qualification

Based on the Consortium for Energy Efficiency (CEE) qualified product listings, our most efficient dishwashers are rated Tier I. These models feature advanced water and energy savings and may qualify for rebates from local utility companies.

China cycle

Cares for lightly soiled items or china and crystal. During the cycle, the wash action repeatedly pauses for several seconds to allow for adequate soak time and even gentler cleaning.

Clean & Quiet Guarantee

If you are not completely satisfied that your new Whirlpool Gold® dishwasher is quieter and cleans better than your previous model, Whirlpool Corporation will take it back within 30 days of the date of purchase and refund the full price to you.

Clean Touch™ console (Trash Compactor)

Wipes down easily with the simple swipe of a cloth. This console features a smooth surface without dials or switches.

Control lock

Disables buttons on the control pad to help prevent accidental operation or children from starting or stopping the dishwasher.



Cup shelf

Allows you to stack two levels of coffee mugs or to secure delicate glassware when used as a stemware holder during the wash cycle.

Delay Wash option

Wash dishes according to your schedule. This option lets you delay washing for up to 6 hours during off-peak hours when utility rates may be lower.

Easy Rollers™ installation wheels (Trash Compactor)

Helps provide easy maneuverability as the compactor is positioned into place.

Eco cycle

This cycle on select models helps save energy and is our most efficient dishwasher cycle.** It's great for cleaning lightly to moderately soiled dishes.

ENERGY STAR® qualified

Exceeds government standards to help conserve natural resources and save money on utility bills.

EZ-2-Lift™ Adjustable upper rack

Easily adjust the upper rack 2" up or down to fit larger items in either rack.



Fold-down tines

Secures dishes during the wash cycle or can be folded down to create space for larger items.



Fully integrated electronic controls

Add a modern accent to your kitchen. The control panel is hidden away to provide a sleek exterior while preventing unwanted cycle changes or accidental operation.

Glass Xpress™ cycle

Washes glassware or lightly soiled items—like plastic containers, water bottles and lids—in just 30 minutes.

Heated Dry option

Dries dishes thoroughly. Once this option is complete, dishes are ready for storage.

*Compared to normal cycle with lightly soiled loads. **Available on Whirlpool® models \$399 and below.

High Temperature Wash option

Choose this option when additional sanitization of items like baby bottles, glassware or dishes is required.



Light item clip/Side clip

Secures lightweight items during the wash cycle and prevents items from falling out of the basket. They also stop cups and other small containers from flipping over and filling with water.

NSF Certified Sani Rinse option

Sanitizes dishes by eliminating 99.999% of food soil bacteria, as certified by NSF International.

Pots & Pans cycle

Provides powerful cleaning for dirty pots and pans by adding extra wash time to the cycle.

PowerScour™ option

Uses 36 targeted spray jets in a designated wash area to scour away baked-on foods without soaking or scrubbing. From casserole dishes to pots and pans, clean a wide variety of items simultaneously—all without using an additional drop of water.

Quiet Partner™ sound packages

Whirlpool brand dishwashers offer many levels of quiet operation with this system of sound-reducing insulation. The Quiet Partner™ V sound package minimizes dishwasher noise for our quietest dishwasher ever.*

Resource Saver™ dishwasher

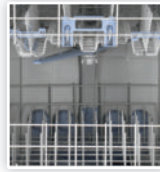
Deep cleans a full load of dishes using 1/3 less water and energy.** Provides excellent cleaning first in the upper rack, then the lower, to reduce the amount of water used. With an eco-friendly CEE Tier I qualification, Whirlpool Gold® Resource Saver™ dishwashers are our most efficient ever.

Rinse Only cycle

Gives your dishes a quick refresh. Whether they're brand new or rarely used, dishes come out clean.

SheerClean™ wash system

Channels water up and out of the back and top of the dishwasher to powerfully clean from multiple different angles. The filter keeps wash water clean and delivers sparkling-clean dishes every time.



Slate interior

Reduces the appearance of visible tub stains, wash after wash. Sophisticated slate styling gives the dishwasher an attractive, premium look.

Soak & Scour option

Gently soaks, powerfully cleans and then soaks again to remove tough soils from dishes so you don't have to.

Speed Wash cycle

Perfect when you need clean dishes in a hurry. Run a full cycle in just one hour—that's less than half the time of other wash cycles.

Stainless steel interior

Adds a sleek, smooth texture to the interior of the dishwasher. Stainless steel provides higher heat retention to further improve drying performance, while also offering a high-end look.



Tall Tub design

Allows you to load tall and odd-shaped items in both racks. An additional 3" of interior space compared to standard tub models makes room for extra-large items in the lower rack and plates or sports bottles in the upper rack.

Tilt-away trash basket (Trash Compactor)

Tilts to the right of the compactor, making it easier to unload and clean.

Touch-Toe™ drawer opener (Trash Compactor)

Provides hands-free opening. A light tap of the toe does the trick, releasing the drawer with ease.

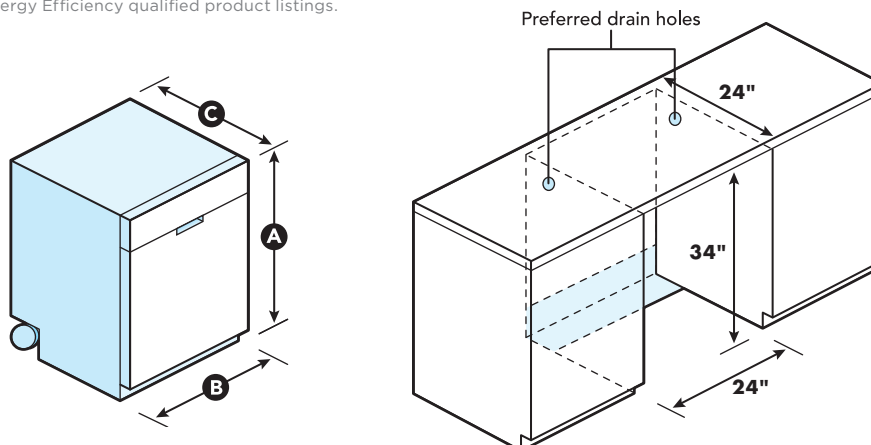
*Models GU2800XTV and GU3600XTV. **Compared to dishwashers manufactured before 2000.

WHIRLPOOL® DISHWASHERS

SPECIFICATIONS AND CUTOUT DIMENSIONS

| MODEL | DU1010TX | DU1030TX | DU1055XTV | DU1300XTV |
|---|---|---|---|---|
| Replaces model | DU930PWS | | | |
| ENERGY STAR® qualified | CEE Tier I* | CEE Tier I* | • | • |
| Tall Tub design | • | • | • | • |
| Tub material | Plastic – White | Plastic – White | Plastic – White | Plastic – White |
| Sound package | Quiet Partner™ I | Quiet Partner™ I | Quiet Partner™ II | Quiet Partner™ II |
| Built-in dishwasher | • | • | • | • |
| DISHWASHER SYSTEM | | | | |
| 5-level SheerClean™ direct feed wash system | | | • | • |
| 4-level SheerClean™ direct feed wash system | • | • | | |
| Auto soil sensor | | | • | • |
| Electronic controls | • | • | • | • |
| Control lock | • | | • | • |
| Console size | 6" | 6" | 4" | 4" |
| CYCLES | | | | |
| Eco | | • | | |
| 1-Hour Wash | • | • | | |
| Pots & Pans | • | • | • | • |
| Normal | • | • | • | • |
| Light | | | • | • |
| Rinse Only | | • | • | • |
| OPTIONS | | | | |
| Soak & Scour | | | • | • |
| NSF Certified Sani Rinse | | • | • | • |
| High Temperature Wash | • | • | • | • |
| Heated Dry | • | • | • | • |
| Delay Wash | 4 Hour | 4 Hour | 2-4-6 Hour | 2-4-6 Hour |
| RACK FLEXIBILITY | | | | |
| Rack coating | Vinyl | Vinyl | Vinyl | Nylon |
| Light item clips | | | | • |
| Cup shelves | | | | • |
| Silverware basket | In-the-Rack | Adjustable, In-the-Rack | AnyWare™ Plus | AnyWare™ Plus |
| COLOR AVAILABILITY | | | | |
| White (Q) | • | • | • | • |
| Black (B) | • | • | • | • |
| Biscuit (T) | • | • | • | • |
| Universal Silver (D) | • | | • | |
| Stainless Steel (S) | | • | • | • |
| DIMENSIONS | | | | |
| Height (A) | 33 ⁷ / ₈ "–34 ¹ / ₂ " | 33 ⁷ / ₈ "–34 ¹ / ₂ " | 33 ⁷ / ₈ "–34 ¹ / ₂ " | 33 ⁷ / ₈ "–34 ¹ / ₂ " |
| Width (B) | 23 ⁷ / ₈ " | 23 ⁷ / ₈ " | 23 ⁷ / ₈ " | 23 ⁷ / ₈ " |
| Depth (C) | 24 ¹ / ₂ " | 24 ¹ / ₂ " | 24 ¹ / ₂ " | 24 ¹ / ₂ " |

*The CEE Tier system is based on the Consortium for Energy Efficiency qualified product listings.



WHIRLPOOL GOLD® DISHWASHERS

SPECIFICATIONS AND CUTOUT DIMENSIONS

| MODEL | GU2275XTV | GU2300XTV | GU2475XTV | GU2800XTV | GU3100XTV | GU3600XTV |
|---|---|---|---|---|---|---|
| ENERGY STAR® qualified | • | • | • | CEE Tier 1* | • | CEE Tier 1* |
| Tall Tub design | • | • | • | • | • | • |
| 30-Day Clean & Quiet guarantee | • | • | • | • | • | • |
| Tub material | Plastic – Slate | Plastic – Slate | Plastic – Slate | Plastic – Slate | Stainless Steel | Stainless Steel |
| Sound package | Quiet Partner™ III | Quiet Partner™ III | Quiet Partner™ IV | Quiet Partner™ V | Quiet Partner™ IV | Quiet Partner™ V |
| ADA compliant | | | | | • | |
| DISHWASHER SYSTEM | | | | | | |
| Resource Saver™ wash system | | | | • | | • |
| 5-level SheerClean™ direct feed wash system | • | • | • | | • | |
| Auto soil sensor | • | • | • | • | | • |
| Electronic controls | Fully Integrated | • | Fully Integrated | • | • | • |
| Control lock | • | • | • | • | • | • |
| CYCLES | | | | | | |
| Adaptive Wash | • | • | • | • | | • |
| Glass Xpress™ | • | • | • | | | |
| Speed Wash | | | | • | | • |
| Pots & Pans | • | • | • | • | • | • |
| Normal | • | • | • | • | • | • |
| China | • | • | • | • | | • |
| Light | | | | | • | |
| Heavy | | | | | • | |
| Rinse Only | • | • | • | • | • | • |
| OPTIONS | | | | | | |
| PowerScour™ | | • | • | • | | • |
| Soak & Scour | • | | | | | |
| NSF Certified Sani Rinse | • | • | • | • | | • |
| High Temperature Wash | • | • | • | • | • | • |
| Heated Dry | • | • | • | • | • | • |
| Delay Wash | 4 Hour | 2-4-6 Hour | 4 Hour | 2-4-6 Hour | 2-4-6 Hour | 2-4-6 Hour |
| RACK FLEXIBILITY | | | | | | |
| Nylon rack coating | • | • | • | • | • | • |
| Adjustable upper rack | • | • | • | EZ-2-Lift™ | | EZ-2-Lift™ |
| Light item clips | | | • | • | | • |
| 2 Side clips | | | | • | | • |
| Cup shelves | | | • | • | • | • |
| 2 Upper rack fold-down tines | • | • | • | • | | • |
| Lower rack fold-down tines | • | PowerScour™ | PowerScour™ | PowerScour™ | | PowerScour™ |
| Silverware basket | AnyWare™ Plus | AnyWare™ Plus | AnyWare™ Plus | AnyWare™ Plus | In-the-Rack | AnyWare™ Plus |
| COLOR AVAILABILITY | | | | | | |
| White (Q) | • | • | • | • | • | • |
| Black (B) | • | • | • | • | • | • |
| Biscuit (T) | | • | | • | | |
| Stainless Steel (S) | | • | | • | • | |
| Monochromatic Stainless Steel (Y) | • | | • | • | | • |
| DIMENSIONS | | | | | | |
| Height (A) | 33 ⁷ / ₈ "–34 ¹ / ₂ " | 33 ⁷ / ₈ "–34 ¹ / ₂ " | 33 ⁷ / ₈ "–34 ¹ / ₂ " | 33 ⁷ / ₈ "–34 ¹ / ₂ " | 32 ¹ / ₂ "–34 ¹ / ₂ " | 33 ⁷ / ₈ "–34 ¹ / ₂ " |
| Width (B) | 23 ⁷ / ₈ " | 23 ⁷ / ₈ " | 23 ⁷ / ₈ " | 23 ⁷ / ₈ " | 23 ⁷ / ₈ " | 23 ⁷ / ₈ " |
| Depth (C) | 24 ¹ / ₂ " | 24 ¹ / ₂ " | 24 ¹ / ₂ " | 24 ¹ / ₂ " | 24" | 24 ¹ / ₂ " |

*The CEE Tier system is based on the Consortium for Energy Efficiency qualified product listings.

EFFICIENCY

WHIRLPOOL GOLD® DISHWASHERS

WHIRLPOOL® DISHWASHERS

PORTABLE DISHWASHER, DISPOSERS & COMPACTORS

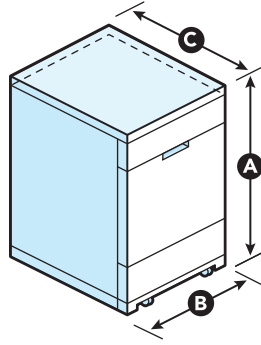
ACCESSORIES

GLOSSARY

SPECIFICATIONS

PORTABLE DISHWASHER SPECIFICATIONS

| | |
|---|--------------------------------------|
| MODEL | DP1040XTX |
| ENERGY STAR® qualified | • |
| Tall Tub design | • |
| Tub material | Plastic – White |
| Sound package | Quiet Partner™ I |
| Portable | • |
| DISHWASHER SYSTEM | |
| 4-level SheerClean™ direct feed wash system | • |
| Electronic controls | • |
| Control lock | • |
| CYCLES | |
| Eco | • |
| 1-Hour Wash | • |
| Pots & Pans | • |
| Normal | • |
| Rinse Only | • |
| OPTIONS | |
| High Temperature Wash | • |
| Heated Dry | • |
| Delay Wash | 4-Hour |
| RACK FLEXIBILITY | |
| Rack coating | Vinyl |
| Silverware basket | In-the-Rack |
| COLOR AVAILABILITY | |
| White (Q) | • |
| Black (B) | • |
| DIMENSIONS | |
| Height (A) | 35 ⁷ / ₈ "–37" |
| Width (B) | 24 ¹ / ₈ " |
| Depth (C) | 24 ¹ / ₂ " |



DISHWASHER CUSTOM PANEL DIMENSIONS

Cutting Notes for Custom Panels:

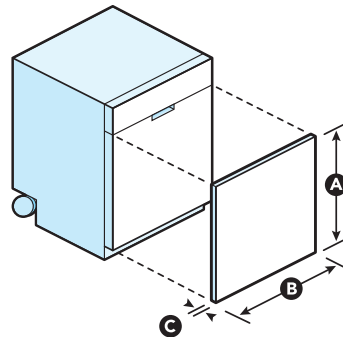
1. Custom panel for door cannot exceed 8-lb weight.
2. Upper and lower panels are not the same width.
3. Match woodgrain direction with that of adjacent cabinets.
4. Sand panel edges to provide a smooth finish.
5. Use moisture-resistant sealer on sides and edges of panels to protect from humidity. (Dishwasher is subject to humidity.)

4" Console Models:

DU1055XTV, DU1300XTV, GU2275XTV, GU2300XTV, GU2475XTV, GU2800XTV, GU3100XTV and GU3600XTV.

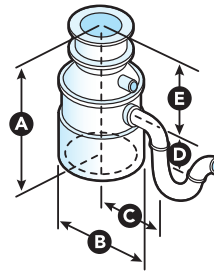
| STYLE | HEIGHT (A) | WIDTH (B) | THICKNESS (C) |
|--------------|------------------------------------|----------------------------------|-------------------------------|
| Frameless 4" | 25 ²⁹ / ₃₂ " | 23 ³ / ₈ " | ³ / ₄ " |
| Framed 4" | 26" | 23 ¹ / ₄ " | ¹ / ₄ " |

6" custom panels are not available at this time.



GARBAGE DISPOSERS SPECIFICATIONS AND CUTOUT DIMENSIONS

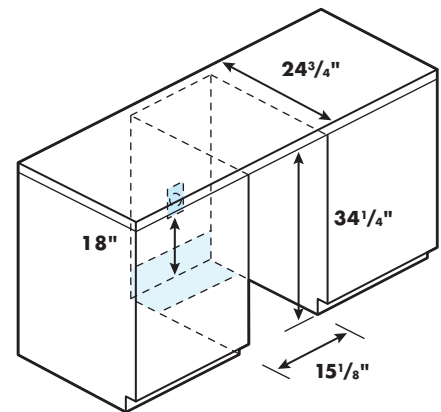
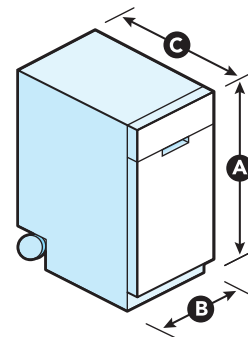
| MODELS | GC1000XE/PE* | GC2000XE/PE* | GC5000XE |
|--------------------------------|--------------|--------------|----------|
| Motor | 1/3-HP | 1/2-HP | 3/4-HP |
| Locked-in mounting | • | • | • |
| Continuous-feed operation | • | • | • |
| Stainless steel grinding wheel | | | • |
| Overload protector | • | • | • |
| Manual reset | • | • | • |
| Sound insulation | | | • |
| DIMENSIONS | | | |
| A | 11 3/8" | 11 3/8" | 12 3/8" |
| B | 5 1/8" | 5 1/8" | 6 1/8" |
| C | 4" | 4" | 4" |
| D | 6 5/8" | 6 5/8" | 7 3/4" |
| E | 5" | 5" | 5 1/4" |



*GC1000PE and GC2000PE also available with plug and cord.

TRASH COMPACTORS SPECIFICATIONS AND CUTOUT DIMENSIONS

| MODELS | TU800SPP | GX900QPP | GC900QPP |
|--------------------------------------|----------|----------|----------|
| Capacity (cu. ft.) | 1.4 | 1.4 | 1.4 |
| Convertible freestanding-to-built-in | | | • |
| Undercounter | • | • | |
| Touch pad controls | | • | • |
| Knob On/Off/Start | • | | |
| Wrap around drawer panel | • | • | • |
| Automatic anti-jam | • | • | • |
| Clean Touch™ console | | • | • |
| Touch-Toe™ drawer opener | • | • | • |
| "Hidden" removable key control knob | | • | • |
| Easy Rollers™ installation wheels | • | • | • |
| 1/3-HP motor | • | • | • |
| 4-to-1 Compaction ratio | • | • | • |
| Front levelers/rear rollers | • | • | • |
| Bag retainer buttons | • | • | • |
| Side release bin | • | • | • |
| Tilt-Away trash basket | | • | • |
| Tilt switch | • | • | • |
| COLOR AVAILABILITY | | | |
| White (Q) | • | • | • |
| Black (B) | • | • | • |
| Biscuit (T) | | • | |
| Stainless Steel (S) | | • | |
| DIMENSIONS | | | |
| Height (A) | 34 1/8" | 34 1/8" | 34 1/8" |
| Width (B) | 15" | 15" | 15" |
| Depth (C) | 24" | 24" | 24" |



WARNING

Electrical Shock Hazard
Disconnect electrical power at the fuse box or circuit breaker box before installing dishwasher. Failure to do so can result in death or electrical shock.

Electrical Requirements:
Rated load is 11.0 amps, 120 volts, 60 Hz AC. 15-amp (20-amp max.) circuit required.
When local codes permit, any Whirlpool® dishwasher plus a disposer up to 7.2 amps can be installed on a single 20-amp circuit. Do not use an extension cord.
Water Pressure — 15 to 120 psi.
Recommended incoming water temperature — 120°F minimum.
Listed by Underwriters Laboratories.

DIMENSIONS ARE SHOWN FOR PLANNING PURPOSES ONLY.
For complete information, see Installation Instructions packed with product.

WARRANTY INFORMATION

1-Year Limited Warranty, Parts and Labor
For complete details, please see the Use & Care Guide packed with product, ask your dealer or visit whirlpool.com



As part of Whirlpool Corporation's ongoing commitment to well-managed forests, all of the paper in this catalog comes from forests in compliance with the Forest Stewardship Council standards for Responsible Forest Management.