



Service Manual

Microwave oven

MT 255/RED

Model Version		Page
MT 255/RED 8538 255 99331		
	Introduction safety	2
	Technical data	3
	Spare part list	4
	Exploded view	5
	Wiring diagram	6
	Program diagram	7 - 8

Introduction safety

INTRODUCTION

Before leaving the factory each oven is carefully checked.
It must, however, be installed and used correctly.

Despite all the steps taken to make the oven safe, the safety is dependent on the correct installation and the fact the user understands how to use and maintain the oven.

The information in this section should be used as a reminder that the oven is safe and that anyone who uses it must first read the instructions for use in order to be able to use the oven correctly and obtain best results.

SAFETY

To avoid injury to yourself and damage to the appliance always work to the following rules when servicing an oven.

Always disconnect the plug from the mains before starting work.

If there is no plug switch off the electric supply at the control box.

When you have finished servicing an oven before you reconnect it to the mains, make sure that:

- all the internal connections are correct
- the wires are insulated and not touching the door or the cabinet or anything sharp
- all the earth connections are electrically and mechanically sound
- do not modify or anyway interfere with the safety devices built-in to the oven

- make sure that each replacement part you use conforms to the manufacturer's specifications

Do not start a repair if you have any doubt as to your ability to complete it.

CAUTION - MICROWAVE RADIATION

PERSONNEL SHOULD NOT BE EXPOSED TO THE MICROWAVE ENERGY WHICH MAY RADIATE FROM THE MAGNETRON, WAVEGUIDE OR ANTENNA IF THEY ARE IMPROPERLY USED OR CONNECTED. ALL INPUT AND OUTPUT MICROWAVE CONNECTIONS, WAVEGUIDES, FLANGES AND GASKETS MUST BE SECURE. NEVER OPERATE THE DEVICE WITHOUT A MICROWAVE ENERGY ABSORBING LOAD ATTACHED. NEVER LOOK INTO AN OPEN WAVEGUIDE OR ANTENNA WHILE THE DEVICE IS ENERGIZED. NEVER OPERATE AN OVEN WITH CABINET OFF WITHOUT MEASURING THE MICROWAVE LEAKAGE AROUND MAGNETRON AND VISIBLE MICROWAVE CONNECTIONS (WELDING JOINTS).

Do not operate the oven if the following conditions exist:

- the door does not close firmly against the door support because of the door being warped or the hinges damaged.
- The door trims or seals are damaged.
- If there is any visible damage to the oven.
- if the door does not close properly.

Avoid operating the oven if known components in the interlock system, oven door or microwave generating assembly are known defective. They must be replaced.

WARNING - HIGH VOLTAGE

IT IS POSSIBLE TO COME IN CONTACT WITH LETHAL HIGH VOLTAGE WHEN WORKING WITH HV TRANSFORMER, HV CAPACITOR AND MAGNETRON. THEREFORE NEVER TRY TO MEASURE THE HIGH VOLTAGE. ALWAYS TAKE UTMOST CARE WHEN PERFORMING ELECTRIC MEASUREMENTS INSIDE THE OVEN.

Technical data

Dimensions of cabinet

Height	312	mm
Width	529	mm
Depth	450	mm

Dimensions of cavity

Height	205	mm
Width	335	mm
Depth	370	mm
Cavity volume	26	l
Turntable diameter	280	mm

Weight

Net	20	kg
Gross	23	kg

Electrical

Voltage	230	V
Frequency	50	Hz
Current consumption	11.5	A
Fuse	16	A

Error codes

Certain fault conditions are indicated by an error code.
The following codes are implemented:

ERR 0	Convection temperature sensor fault. Not connected or short circuit.
ERR 1	Short circuit in the MW relay.
ERR 6	Weight sensor calibration has not been performed.
ERR 7	Humidity sensor is defect or has not been connected.
ERR 8	Impossible to write to E ² PROM.
ERR 9	Options have not been set.
ERR A	No wheel detected on weight sensor.
ERR B	No pulses from the weight sensor or <4267 Hz.
ERR C	Fuzzy temperature sensor fault. Not 19-41 °C.

Power

Power consumption max.	2650	W
Power consumption MW	1650	W
Output power MW	1000	W
Grill	1000	W
Microwave frequency	2450	MHz

Timer

90 min

Accessories

Built-in kit AVM 124

Features

- Quartz grill
- Crisp function
- Jet defrost
- Jet start
- 8 power levels
- Child lock
- 24 hour clock

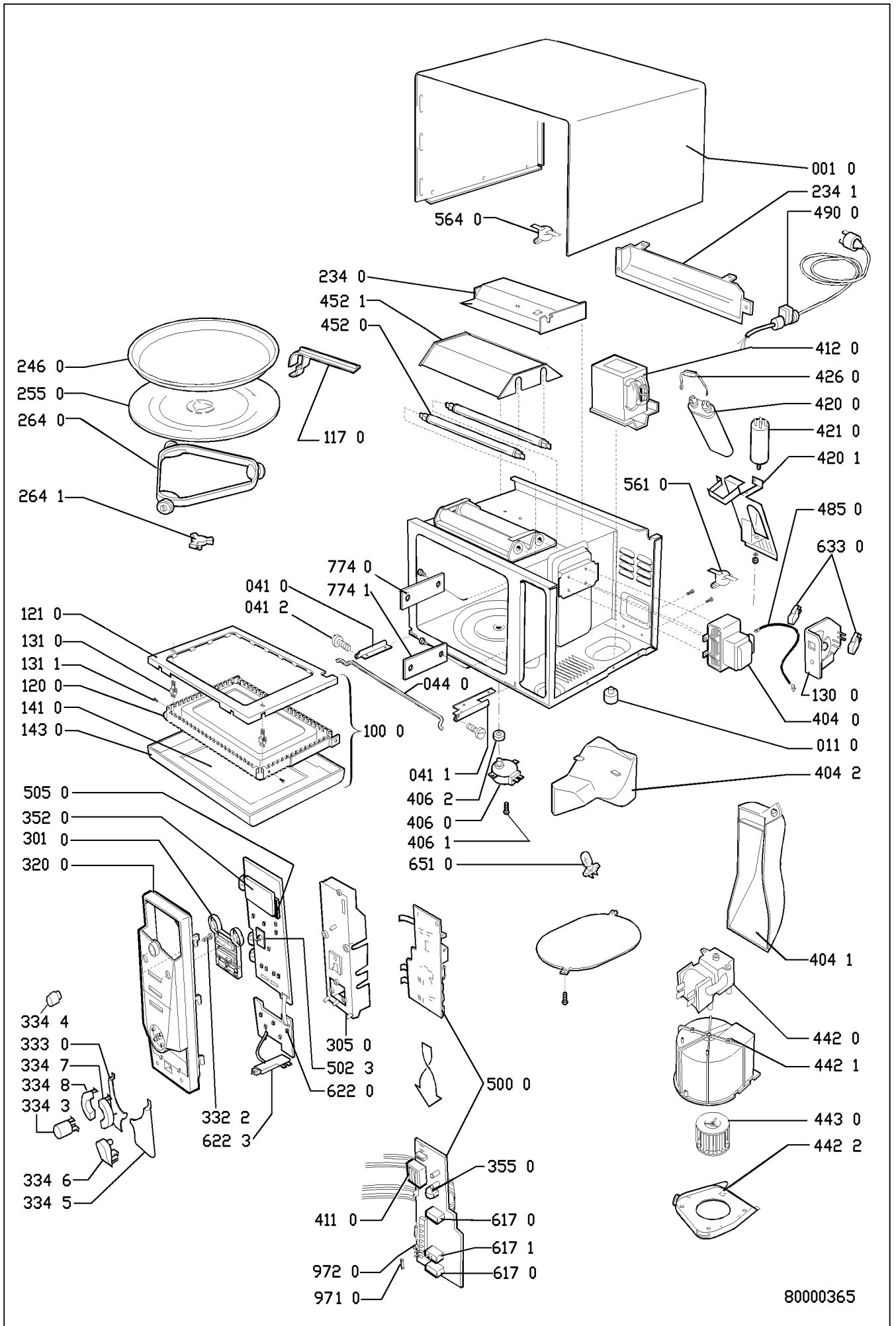
Spare part list

Model MT 255/RED
Service No. 853825599331
Version 853825599331

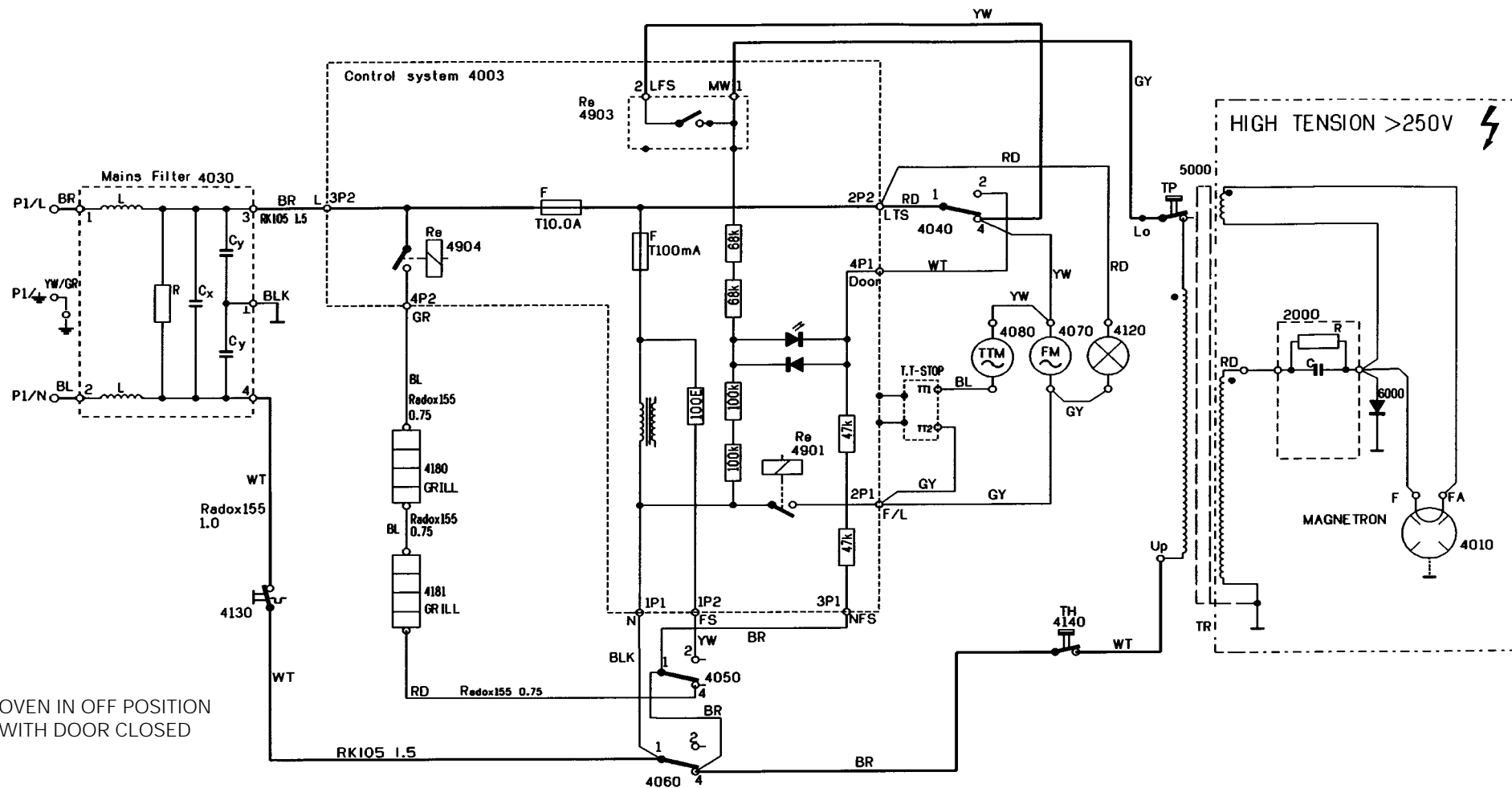
Pos. No.	12NC Code	Description
001 0	4819 442 39194	Cabinet red
011 0	4819 462 79423	Foot
041 0	4819 417 19547	Hinge left
041 1	4819 417 19548	Hinge right
041 2	4812 535 98057	Shaft hinge
044 0	4819 492 48168	Spring
100 0	4819 442 39193	Oven door red
117 0	4819 498 78366	Handle for crisp plate
120 0	4819 442 38917	Door,inner metal part
121 0	4819 459 48932	Door frame
130 0	4819 310 39783	Unit,pushbutton
131 0	4819 535 38153	Lock door
131 1	4819 502 18403	Screw f. locking hook
141 0	4819 450 58203	Oven glass
143 0	4819 459 48873	Frame red
234 0	4819 325 18122	Plate / Holder
234 1	4819 462 38878	Casing
246 0	4819 310 18538	Crisp plate VIP27
255 0	4819 466 78405	Turntable
264 0	4819 535 79159	Rail
264 1	4819 462 38767	Crosspiece
301 0	4819 410 29065	Button assy red
305 0	4819 404 79333	Holder
320 0	4812 453 58871	Panel,control red
332 2	4819 410 28924	Button clockset
333 0	4819 410 29055	Button start red
334 3	4812 412 28024	Button defrost
334 4	4819 411 29484	Knob,timer red
334 5	4819 410 29056	Button stop red
334 6	4812 410 28648	Button tt-stop red
334 7	4812 412 28027	Button plus red
334 8	4812 412 28025	Button minus red
352 0	4819 130 38083	Display
355 0	4819 280 18029	Buzzer
404 0	4819 131 58019	Magnetron
404 1	4819 462 38875	Conveyor magnetron
404 2	4819 462 38874	Air guide cavity
406 0	4819 361 18381	Motor TT
406 1	4819 502 18372	Screw for TT-Motor
406 2	4819 532 68686	Gasket ring for TT
411 0	4819 148 68076	Transformer electronics
412 0	4819 145 78207	Transformer,HT 230V
420 0	4819 121 18299	Capacitor 1,15µ F-2100V
420 1	4819 404 78839	Bracket capacitor
421 0	4819 121 18162	Filter,mains
426 0	4819 121 18265	Diode HV
442 0	4819 361 18361	Motor Blower
442 1	4819 462 38876	Cap fan
442 2	4819 462 38877	Inlet fan
443 0	4819 515 28224	Fan wheel
452 0	4819 259 98557	Infraredelement 115V 450W
452 1	4819 325 18123	Reflector
485 0	4819 320 28025	Cable,HT
490 0	4819 321 18231	Cable,mains cpl.SA w.clamp
500 0	4812 214 78322	Control unit

Pos. No.	12NC Code	Description
502 3	4819 101 48142	Potentiometer
505 0	4812 209 88003	Microprocessor
561 0	4819 282 48281	Thermostat for magnetron 125 °C
564 0	4819 282 48275	Thermostat 165 °C
617 0	4819 280 68363	Relay 24V DC
617 1	4819 280 68321	Relay
622 0	4819 276 18273	Switch VKS
622 3	4819 276 18448	Switch tt stop
633 0	4819 276 18336	Switch, door
651 0	4819 134 88199	Lamp oven
774 0	4819 442 38914	Cover Mica plate upper
774 1	4819 462 88031	Plate mica large lower
971 0	4819 252 28125	Fuse T10A
972 0	4819 252 28121	Fuse T100mA

Exploded view



Wiring diagram



OVEN IN OFF POSITION
 WITH DOOR CLOSED

- | | | | | | | | |
|-----|--------------|------|----------------------|------|----------------------|------|----------------|
| BL | Blue | 4003 | Control system | 4070 | Motor fan | 2000 | HT capacitor |
| BLK | Black | 4010 | Magnetron | 4080 | Motor turntable | 5000 | HT transformer |
| BR | Brown | 4030 | Mainsfilter | 4120 | Oven lamp | 6000 | HT diode |
| GY | Grey | 4040 | Secondary doorswitch | 4130 | Thermostat oven | | |
| RD | Red | 4050 | Monitor doorswitch | 4140 | Thermostat magnetron | | |
| WT | White | 4060 | Primary doorswitch | 4180 | Heatingelement grill | | |
| YW | Yellow | | | 4181 | Heatingelement grill | | |
| Y/G | Yellow-Green | | | | | | |

8538 243 20291

