



**WHIRLPOOL AUSTRALASIA  
CONSUMER SERVICES**

**SERVICE MANUAL**

**UNDERBENCH OVEN**

**Model 6AKP524/IX  
Versions 8577 524 53010**

**Model 6AKP524/WH  
Versions 8577 524 53000**

**Copyright © 2001 Whirlpool (Australia) Pty. Limited**

**All rights strictly reserved. Reproduction or issue to third parties in any form whatsoever is not permitted without written authority of Whirlpool (Australia) Pty. Limited**

**Whirlpool is a registered trademark of Whirlpool U.S.A.**

This documentation is intended only for qualified technicians who possess the required qualifications and are aware of the regulatory requirements applicable to servicing electrical appliances.

## CONTENTS

	Page
TECHNICAL DATA	3
INSTALLATION DETAILS	3
EXPLODED VIEW	4
SPARE PARTS LIST	5
WIRING DIAGRAM	6

**TECHNICAL DATA****Electrical connection**

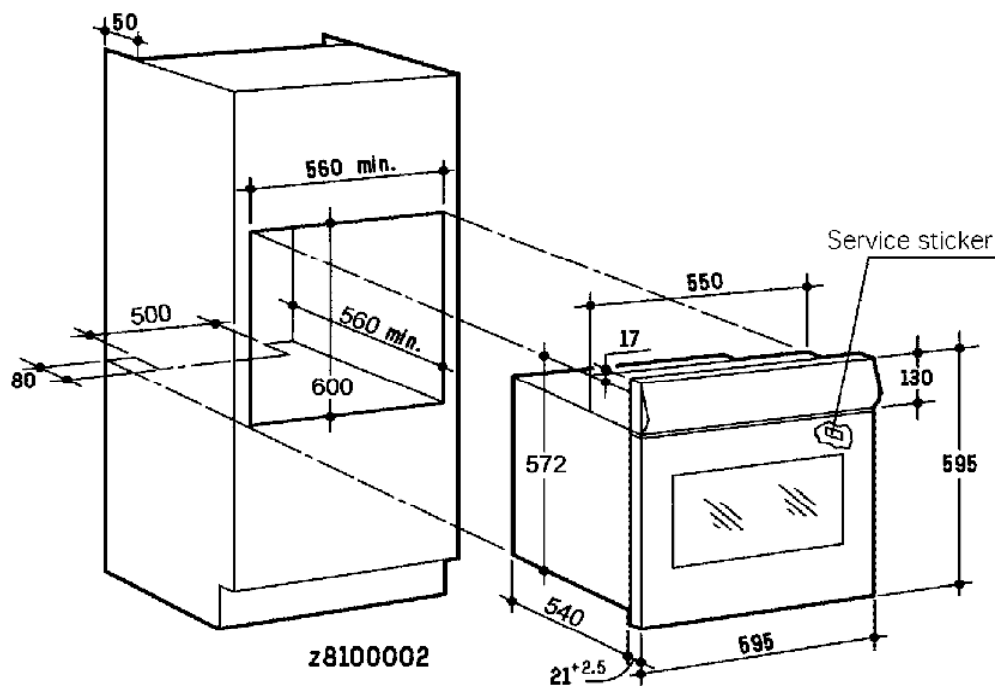
Rated voltage	230-240	V ~
Main connection	230-240 V 1N~ 50 Hz	
Total connected load	2400	W
Dual grill total	2200	W
Dual grill left	860	W
Circulation heating element	1920	W

**Electrical components**

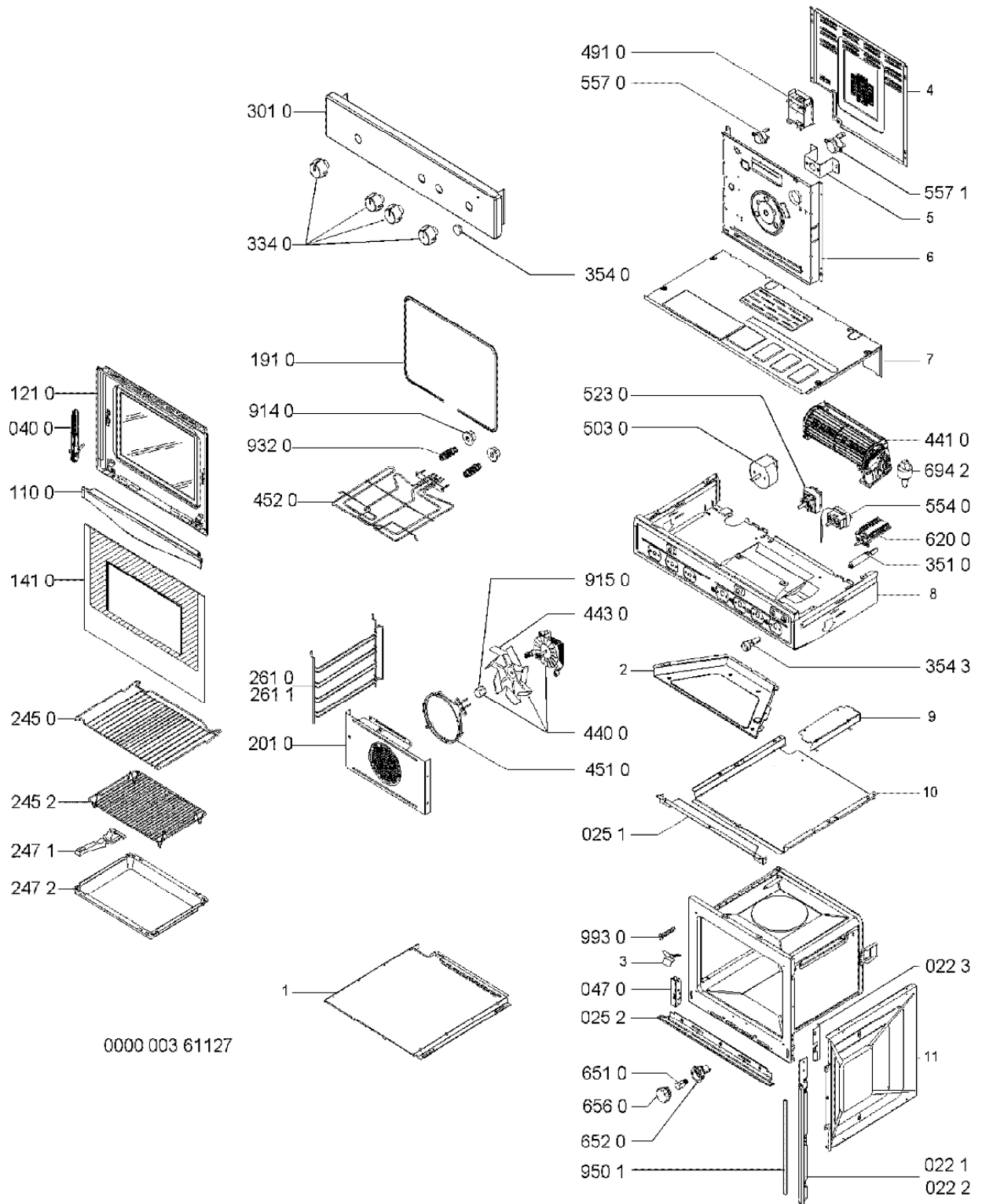
Auto timer Automatic-off

**Accessories**

Pan set enamelled	415 x 318	mm
Grid chrome	446.5 x 340	mm

**INSTALLATION DETAILS**

EXPLODED VIEW



0000 003 61127

**PARTS LIST**

Item	Part No		Description
	6AKP524/WH	6AKP524/IX	
022 1	4819 460 78827	4819 460 78452	Trim, side left
022 2	4819 460 78826	4819 460 78451	Trim, side right
022 3	4819 310 39642	4819 310 39642	Angle bracket left + right
025 1	4819 460 78628	4819 460 78628	Trim, lower
025 2	4819 460 78849	4819 460 78851	Trim, lower
040 0	4812 417 18838	4812 417 18838	Hinge
047 0	4812 417 18837	4812 417 18837	Hinge runner mechanism
110 0	4812 498 78058	4812 498 78061	Door handle
121 0	4819 442 39501	4819 442 39501	Inner door, oven
141 0	4812 450 58296	4812 450 58317	Oven glass
191 0	4819 468 18109	4819 468 18109	Gasket 1045 mm
201 0	4812 442 69022	4812 442 69022	Panel, rear
245 0	4819 458 68752	4819 458 68752	Oven shelf
245 2	4819 458 19538	4819 458 19538	Grid
247 1	4819 395 48003	4819 395 48003	Griller handle
247 2	4812 418 38056	4812 418 38056	Fat pan
261 0	4819 458 68282	4819 458 68282	Inset grid right
261 1	4819 458 68283	4819 458 68283	Inset grid left
301 0	4812 452 48298	4812 452 48299	Panel, control
334 0	4812 412 78554	4812 412 78556	Knob
351 0	4819 134 48424	4819 134 48424	Pilot lamp
354 0	4819 462 79749	4819 462 79749	Lens red
354 3	4819 462 38759	4819 462 38759	Guide pilot lamp
440 0	4819 361 78242	4819 361 78242	Circulating fan, complete
441 0	4819 361 18476	4819 361 18476	Cooling fan, complete
443 0	4819 515 48065	4819 515 48065	Fan wheel
451 0	4819 259 28823	4819 259 28823	Heating element, fan
452 0	4819 259 28938	4819 259 28938	Grill element
491 0	4812 290 68168	4812 290 68168	Connection block
503 0	4819 282 18675	4819 282 18675	Timer
523 0	4819 273 28321	4819 273 28321	Grill energy controller
554 0	4819 282 28603	4819 282 28603	Thermostat
557 0	4812 252 28035	4812 252 28035	Temperature limiter
557 1	4819 282 28564	4819 282 28564	Thermostat safety
620 0	4819 273 28412	4819 273 28412	Hex.code switch
651 0	4819 134 88153	4819 134 88153	Lamp, oven
652 0	4819 255 18237	4819 255 18237	Holder,lamp rear
656 0	4819 450 69844	4819 450 69844	Lamp screen rear
694 2	4819 466 69505	4819 466 69505	Stopper
914 0	4819 505 18323	4819 505 18323	Nut, grill element
915 0	4819 505 18145	4819 505 18145	Nut, circulating fan
932 0	4819 492 68714	4819 492 68714	Spring
950 1	4819 468 18336	4819 468 18336	Gasket
993 0	4819 310 39648	4819 310 39669	Accessories

WIRING DIAGRAM

