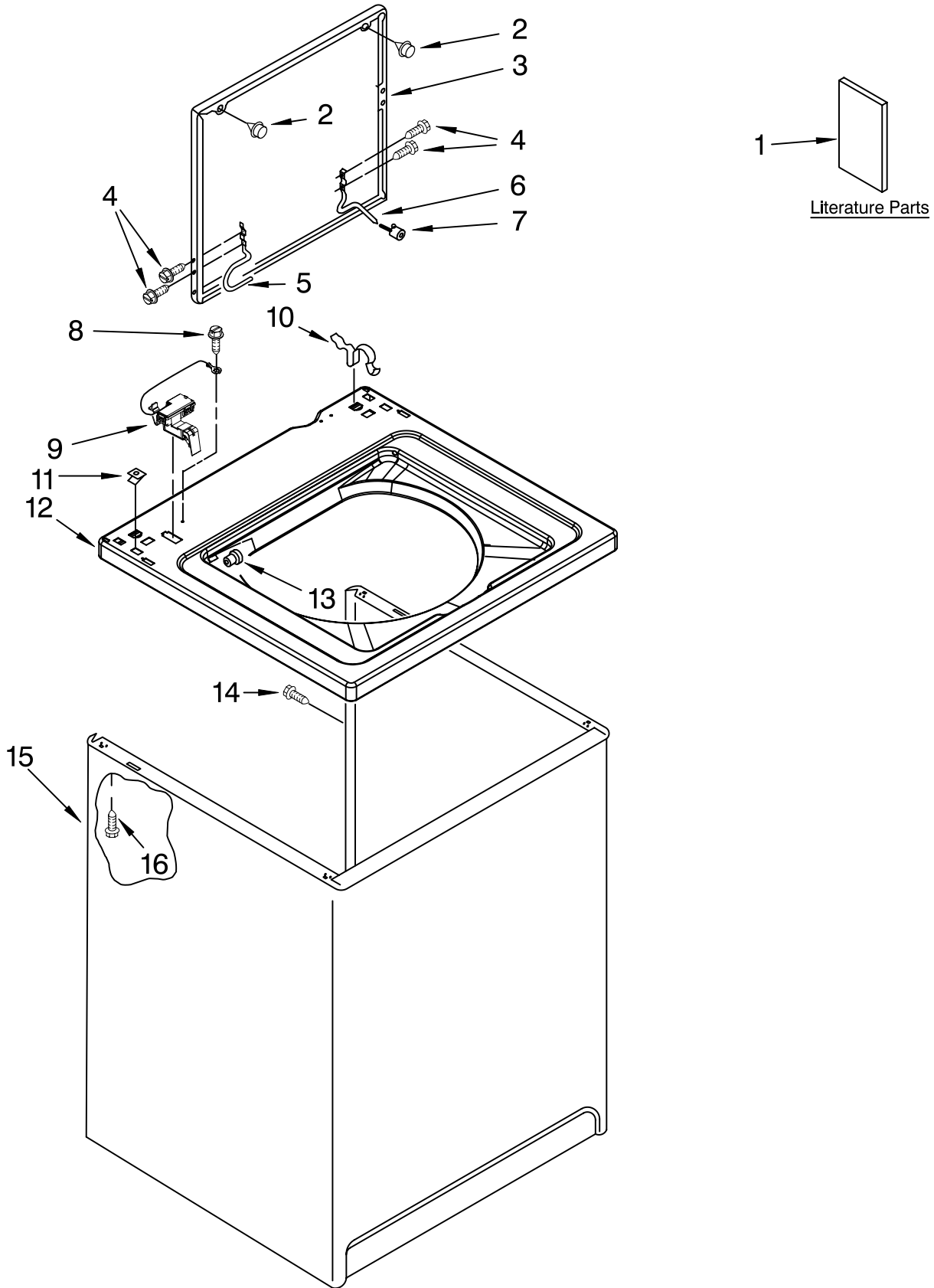




TOP AND CABINET PARTS

For Model: WTW5505SQ1
(White)

AUTOMATIC
WASHER



FOR ORDERING INFORMATION REFER TO PARTS PRICE LIST

TOP AND CABINET PARTS

For Model: WTW5505SQ1

(White)

Illus. No.	Part No.	DESCRIPTION
1		Literature Parts
	W10044800	Installation Instructions
	3957874	Feature Sheet
	3955884	Use & Care Guide
	W10114626	Wiring Diagram
	W10023792	Energy Guide

Following May Be Purchased

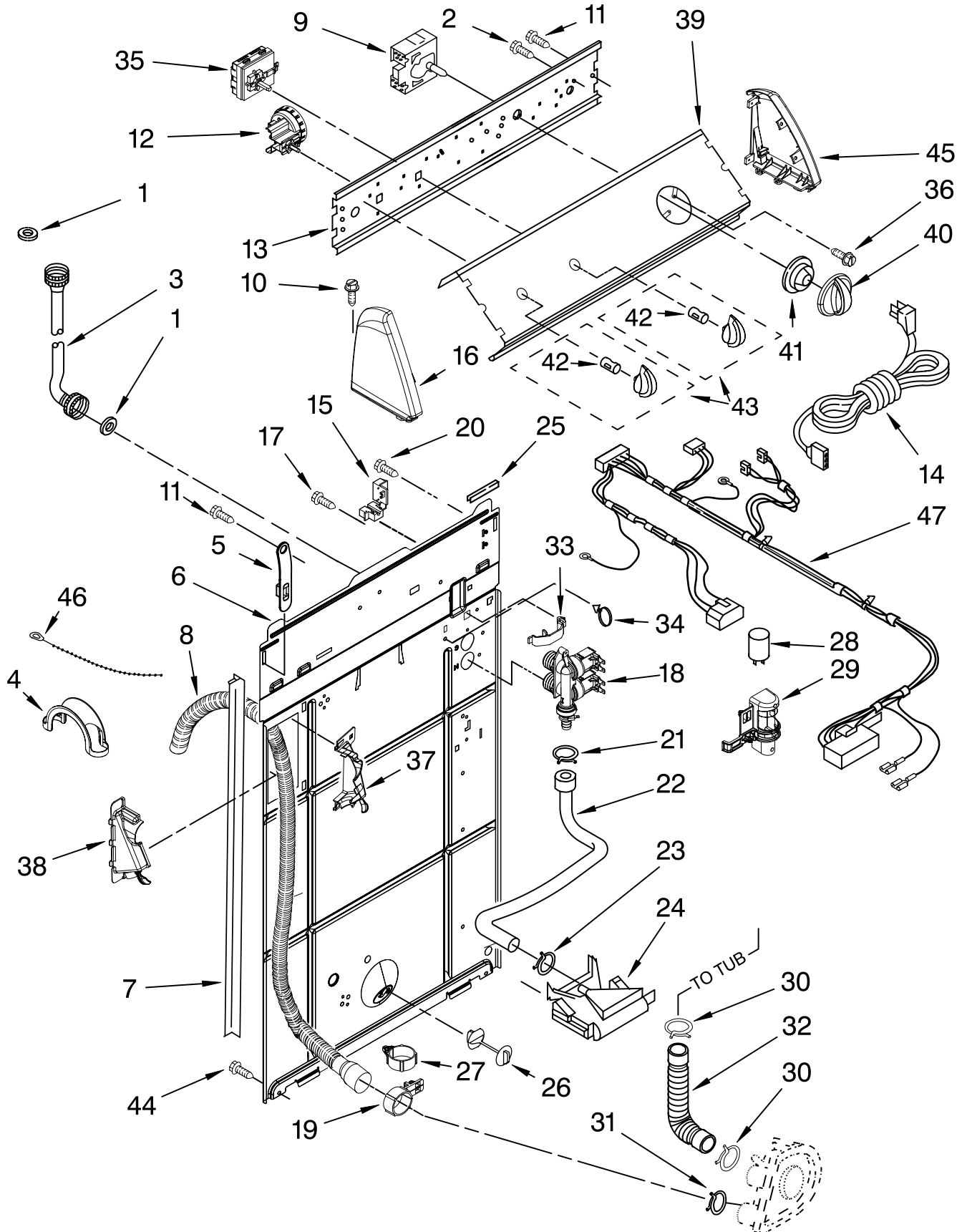
DO-IT-YOURSELF REPAIR MANUALS

	4313896	Manual, Washer
2	9724509	Bumper, Lid (2)
3	8542383	Lid
4	W10119872	Screw, Lid Hinge Mounting (4)
5	8318088	Hinge, Lid (L.H.)
6	54583	Hinge, Lid (R.H.)
7	19119	Bumper, Lid Hinge
8	3351614	Screw, Ground
9	8318084	Switch, Lid
10	62780	Clip, Top & Cabinet & Rear Panel (2)
11	357213	Nut, Push-In (2)
12	8541621	Top
13	21258	Bearing, Lid Hinge (2)
14	3357011	Screw, 10-16 x 1/2
15	63128	Cabinet
16	3390631	Screw, 10-16 x 3/8 (4)

CONTROLS AND REAR PANEL PARTS

For Model: WTW5505SQ1

(White)



FOR ORDERING INFORMATION REFER TO PARTS PRICE LIST

CONTROLS AND REAR PANEL PARTS

For Model: WTW5505SQ1

(White)

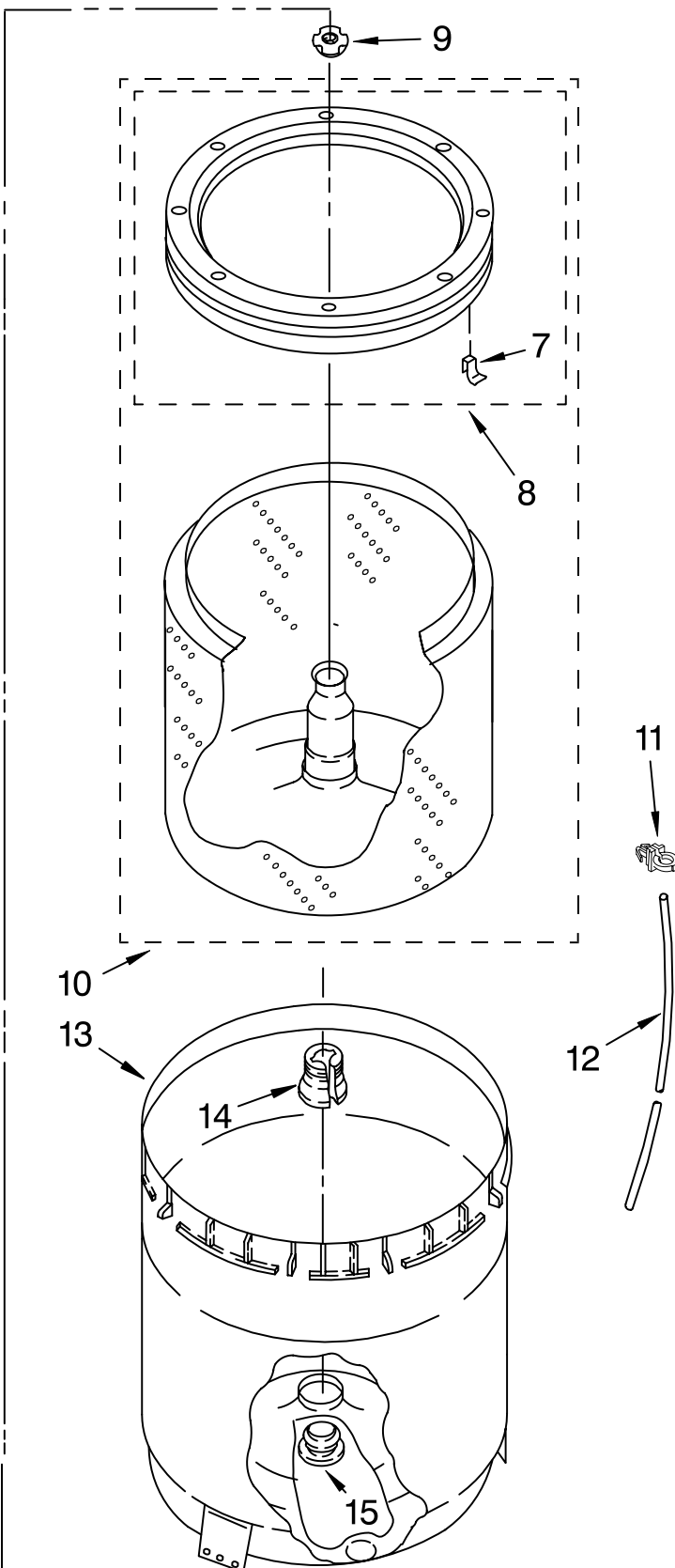
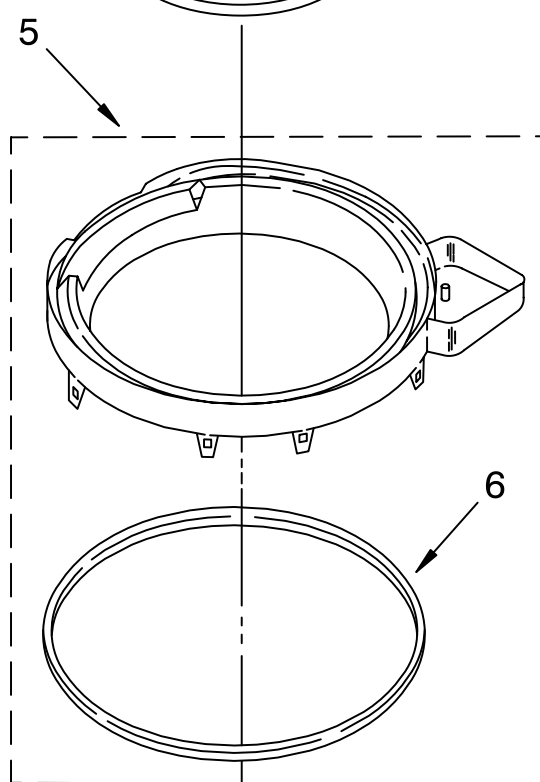
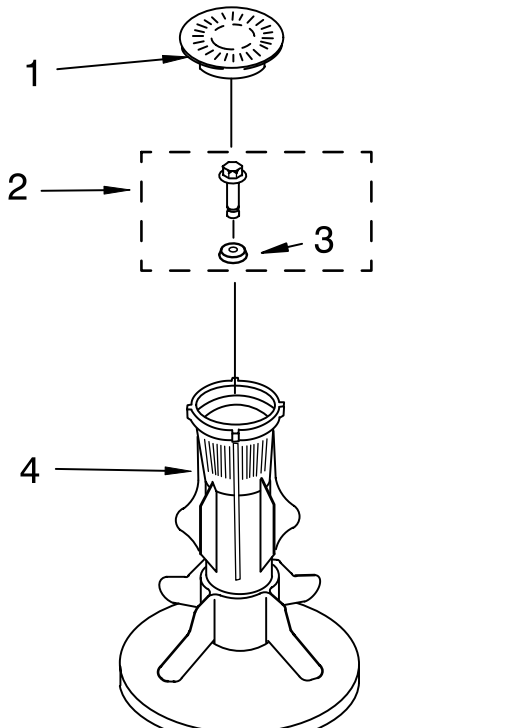
Illus. No.	Part No.	DESCRIPTION	Illus. No.	Part No.	DESCRIPTION	Illus. No.	Part No.	DESCRIPTION
1	3976300	Washer, Water Inlet Hose (4)	14	8578842	Cord, Power (Includes Item 15)	32	3951449	Hose, Pump To Tub (Includes Item 30)
2	3400073	Screw, Ground	15	3952821	Strain Relief, Power Cord	33	3349557	Retainer, Harness
3		Hose, Water Inlet	16	8271365	Cap, End (L.H.)	34	8559320	Restraint, Hose
	8571377	Cold	17	9740848	Screw, 8-18 x 1/2	35	W10112532	Switch, Water Temperature (ATC)
	8571378	Hot	18	3979347	Valve, Water Inlet & Thermistor Assy.	36	3400818	Screw, Timer Mounting
4	8577378	U-Bend, Drain Hose	19	8541668	Clamp, Hose	37	8541669	Bucket, Drain Hose (Left Half)
5	8568314	Strap, Console (2)	20	3351614	Screw, Ground	38	8541658	Bucket, Drain Hose (Right Half)
6	8541686	Panel, Rear	21	301958	Clamp, Hose	39	W10114826	Panel, Console
7	62747	Pad, Rear Panel	22	8317974	Hose, Vacuum Break	40	8566022	Knob, Timer
8	8559373	Drain Hose Assembly (Includes Items 19 & 27)	23	370450	Clamp, Hose	41	8566018	Dial, Timer
9	8557226	Timer, Control (60 Hz.) (Motor Not A Service Part)	24	3347034	Break, Vacuum	42	8536939	Clip, Knob
10	388326	Screw, 8-18 x 1.25	25	303294	Edge Protector	43	8565944	Knob, Control
11	90767	Screw, 8-18 x 3/8	26	8519200	Support, Rear Panel	44	62863	Screw, 10-16 x 3/8
12	8577846	Switch, Water Level	27	8541667	Clamp, Hose	45	8271359	Cap, End (R.H.)
13	3948814	Bracket, Control	28	8572717	Capacitor, Motor Start	46	3347868	Cable Tie
			29	8318046	Clip, Capacitor	47	W10116348	Harness, Wiring (For Detail See Page 9 & 10)
			30	3363366	Clamp, Hose			
			31	8317496	Clamp, Hose			

FOR ORDERING INFORMATION REFER TO PARTS PRICE LIST

AGITATOR, BASKET AND TUB PARTS

For Model: WTW5505SQ1

(White)



FOR ORDERING INFORMATION REFER TO PARTS PRICE LIST

AGITATOR, BASKET AND TUB PARTS

For Model: WTW5505SQ1

(White)

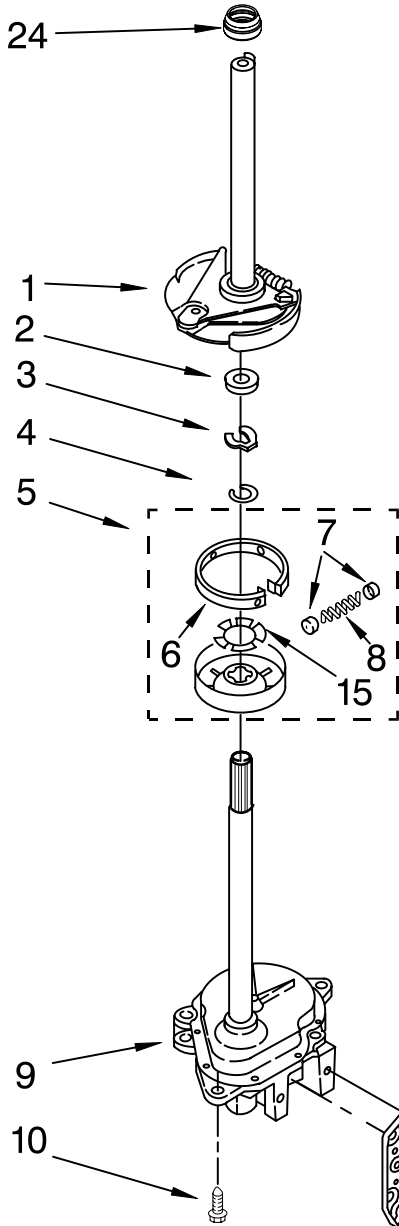
Illus. No.	Part No.	DESCRIPTION
1	3352483	Cap, Agitator
2	358237	Screw & Washer (5/16-24 x 1)
3	3949550	Washer
4	63377	Agitator
5	3360611	Tub Ring & Gasket Assembly
6	3359586	Gasket, Tub Ring
7	8519815	Clip, Balance Ring (8)
8	3956205	Balance Ring
9	21366	Nut, Spanner
10	3956206	Basket & Balance Ring
11	2219077	Clip, Pressure Switch Hose
12	3363657	Hose, Pressure Switch
13	63125	Tub
14	389140	Block, Basket Drive
15	383727	Gasket, Centerpost

FOR ORDERING INFORMATION REFER TO PARTS PRICE LIST

BRAKE, CLUTCH, GEARCASE, MOTOR AND PUMP PARTS

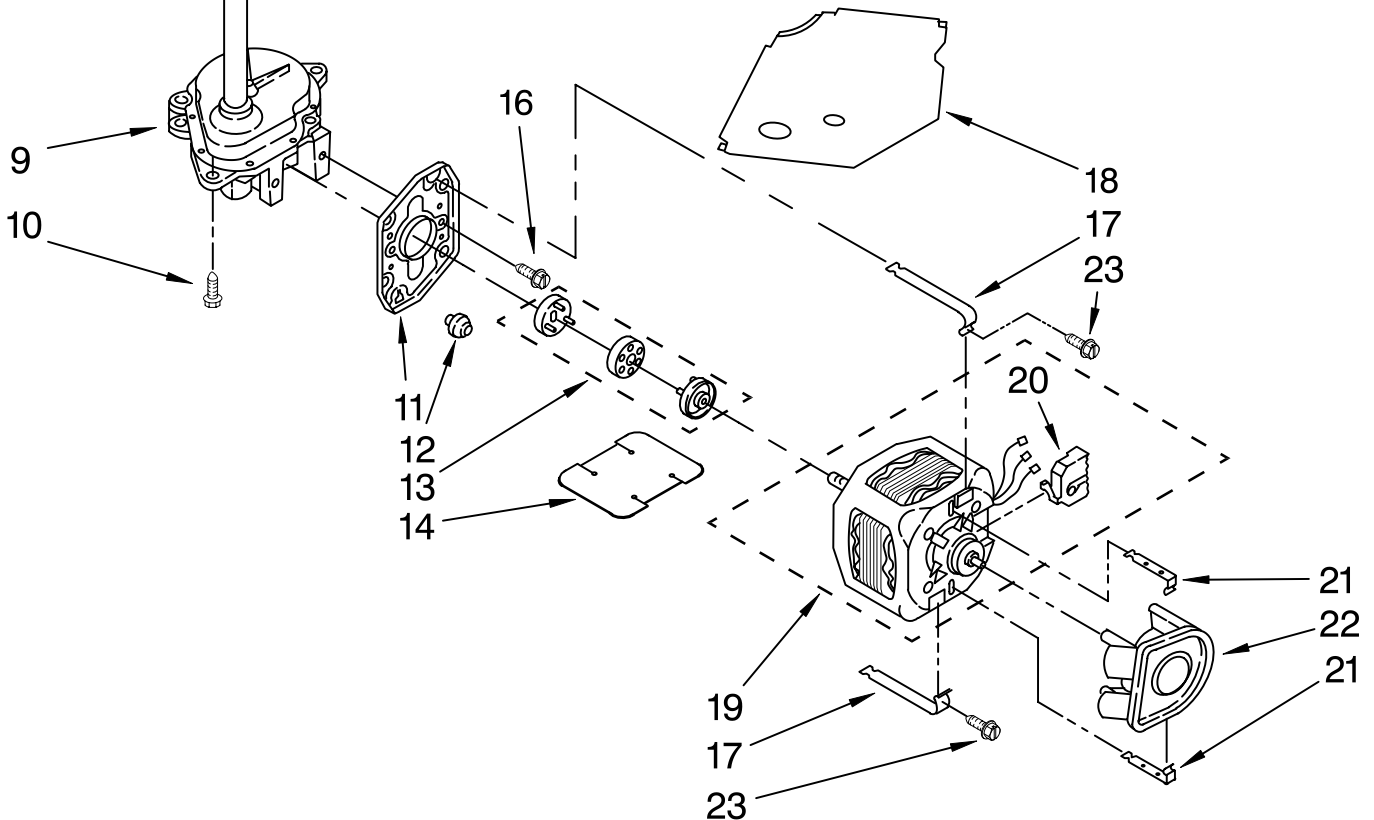
For Model: WTW5505SQ1

(White)



Illus. No.	Part No.	DESCRIPTION
1	388951	Brake & Drive Tube (Complete) (Refer To Page 11 For Further Breakdown)
2	63292	Washer, Spin Tube Thrust
3	62697	Ring, Spin Tube Support
4	63283	Ring, Retainer
5	3951311	Clutch (Complete)
6	3951308	Band & Lining, Clutch (Includes Items 7 & 8)
7	62646	Cap, Clutch Spring (2)
8	3946792	Spring, Clutch
9	3360630	Gearcase (Complete) (Refer To Page 12 For Further Breakdown.)
10	3357334	Screw, Gearcase To Base (3)

Illus. No.	Part No.	DESCRIPTION
11	62611	Plate, Motor Mount To Gearcase
12	62691	Grommet, Motor (4)
13	3364003	Coupling, Motor And Isolation Coupling
14	3946532	Shield, Motor
15	3355454	Clip, Anti-Rattle
16	3400516	Screw
17	3349637	Retainer, Motor (2)
18	3362089	Shield, Tub To Motor
19	8528157	Motor, Main Drive
20	3952056	Switch, Main Drive Motor
21	8546127	Retainer, Pump (2)
22	3363394	Pump (Complete)
23	3387485	Screw, 10-16 x 5/8
24	8577374	Seal

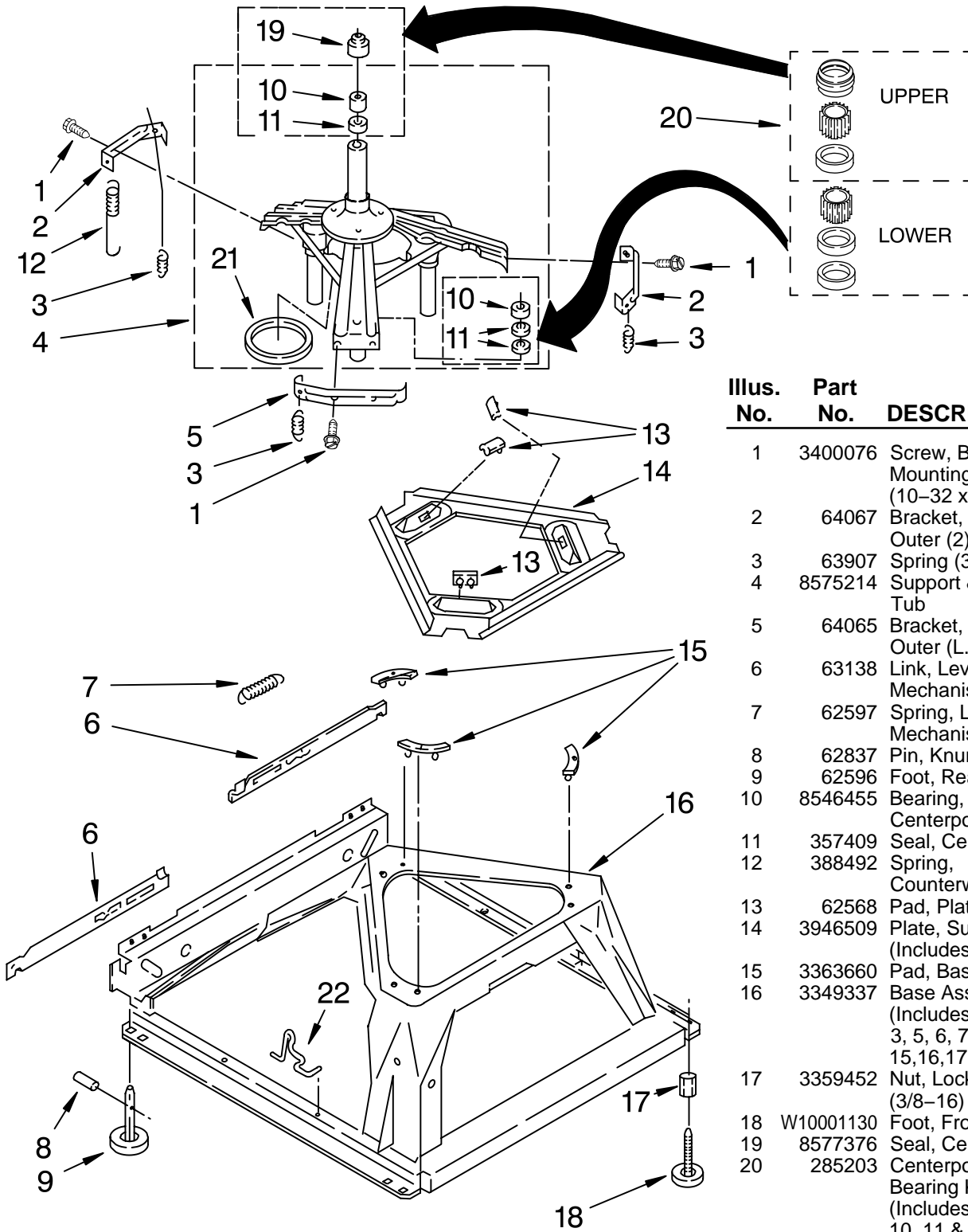


FOR ORDERING INFORMATION REFER TO PARTS PRICE LIST

MACHINE BASE PARTS

For Model: WTW5505SQ1

(White)



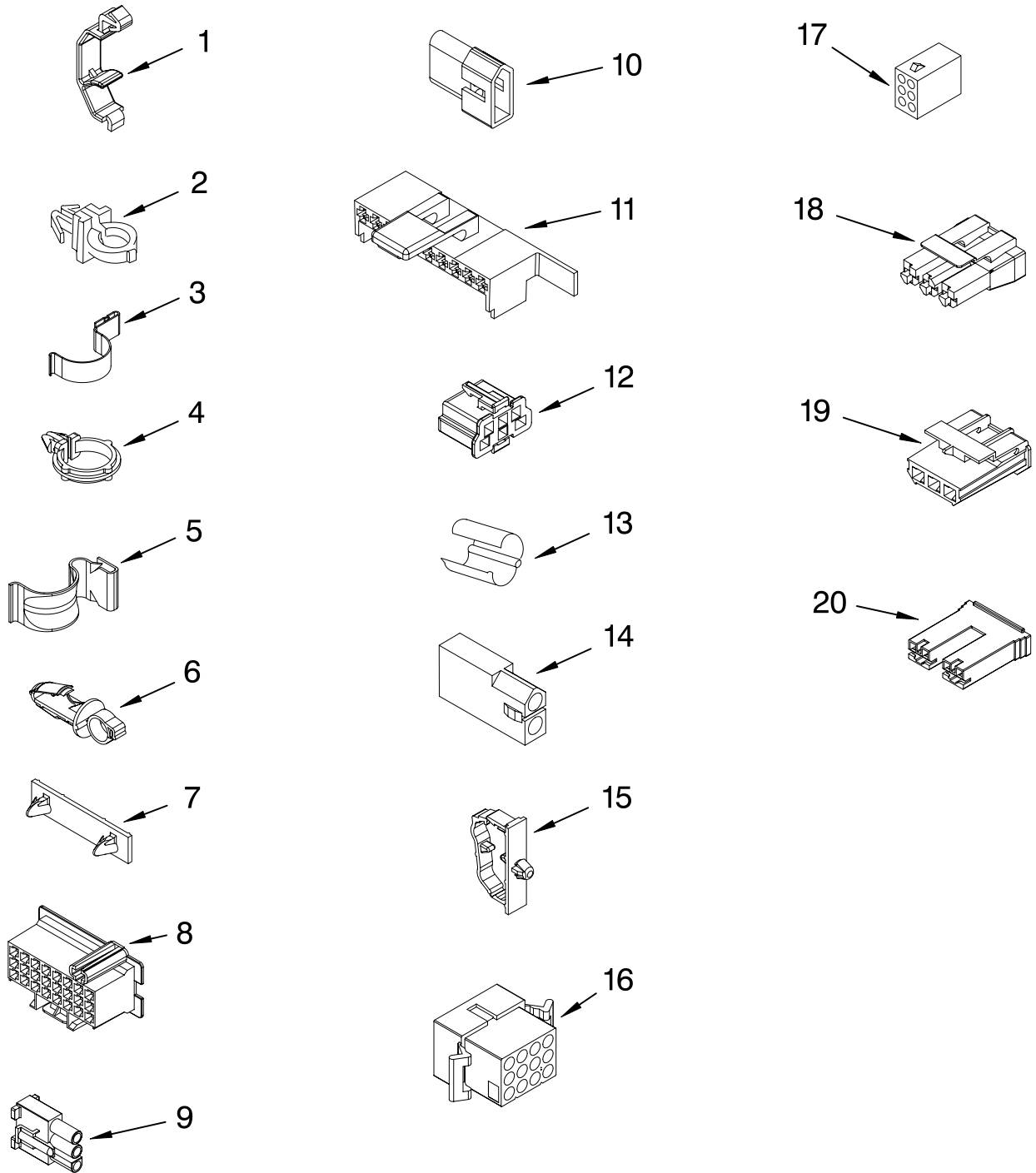
Illus. No.	Part No.	DESCRIPTION
1	3400076	Screw, Bracket Mounting (10-32 x 5/8)
2	64067	Bracket, Spring Outer (2)
3	63907	Spring (3)
4	8575214	Support & Brake, Tub
5	64065	Bracket, Spring Outer (L.F.)
6	63138	Link, Leveling Mechanism (2)
7	62597	Spring, Leveling Mechanism
8	62837	Pin, Knurled
9	62596	Foot, Rear (2)
10	8546455	Bearing, Centerpost (2)
11	357409	Seal, Centerpost (3)
12	388492	Spring, Counterweight
13	62568	Pad, Plate
14	3946509	Plate, Suspension (Includes Item 13)
15	3363660	Pad, Base
16	3349337	Base Assembly (Includes Items 2, 3, 5, 6, 7, 8, 9, 15, 16, 17, 18 & 22)
17	3359452	Nut, Lock (2) (3/8-16)
18	W10001130	Foot, Front (2)
19	8577376	Seal, Centerpost
20	285203	Centerpost Bearing Kit (Includes Items 10, 11 & 19)
21	63134	Ring, Sound Deadening
22	63806	Retainer, Suspension Spring

FOR ORDERING INFORMATION REFER TO PARTS PRICE LIST

WIRING HARNESS PARTS

For Model: WTW5505SQ1

(White)



WH2J

WIRING HARNESS PARTS

For Model: WTW5505SQ1

(White)

Illus. No.	Part No.	DESCRIPTION	Illus. No.	Part No.	DESCRIPTION	Illus. No.	Part No.	DESCRIPTION
1	3349557	Retainer, Harness	9	62889	Receptacle, Terminal (3-Way)	16	3390423	Block, Disconnect (12-Way)
2	388498	Clip, Harness				17	3347730	Receptacle (6-Way)
3	3347812	Clip, Harness	10	353424	Plug, Terminal (3-Way)	18	3948617	Connector (T.P.A.) (3-Circuit)
4	3352501	Clip, Harness (Push-In)	11	62505	Block, Disconnect (Motor 2 Speed)	19	3360056	Plug (T.P.A.) (3-Circuit)
5	90016	Clip, Harness (Half-Harness)	12	3347243	Block, Disconnect			(Pressure Switch)
6	3390496	Clip, Harness	13	63523	Protector	20		Block, Connector
7	389379	Retainer, Harness	14	717252	Connector (2-Way)		3354925	Natural
8		Timer, Block Disconnect	15	3352944	Clip, Harness		3354926	Red
	3948614	Natural						
	352089	Black						

**FOR COMPLETE WIRING HARNESS REFER TO
CONTROL AND REAR PANEL PARTS PAGE**

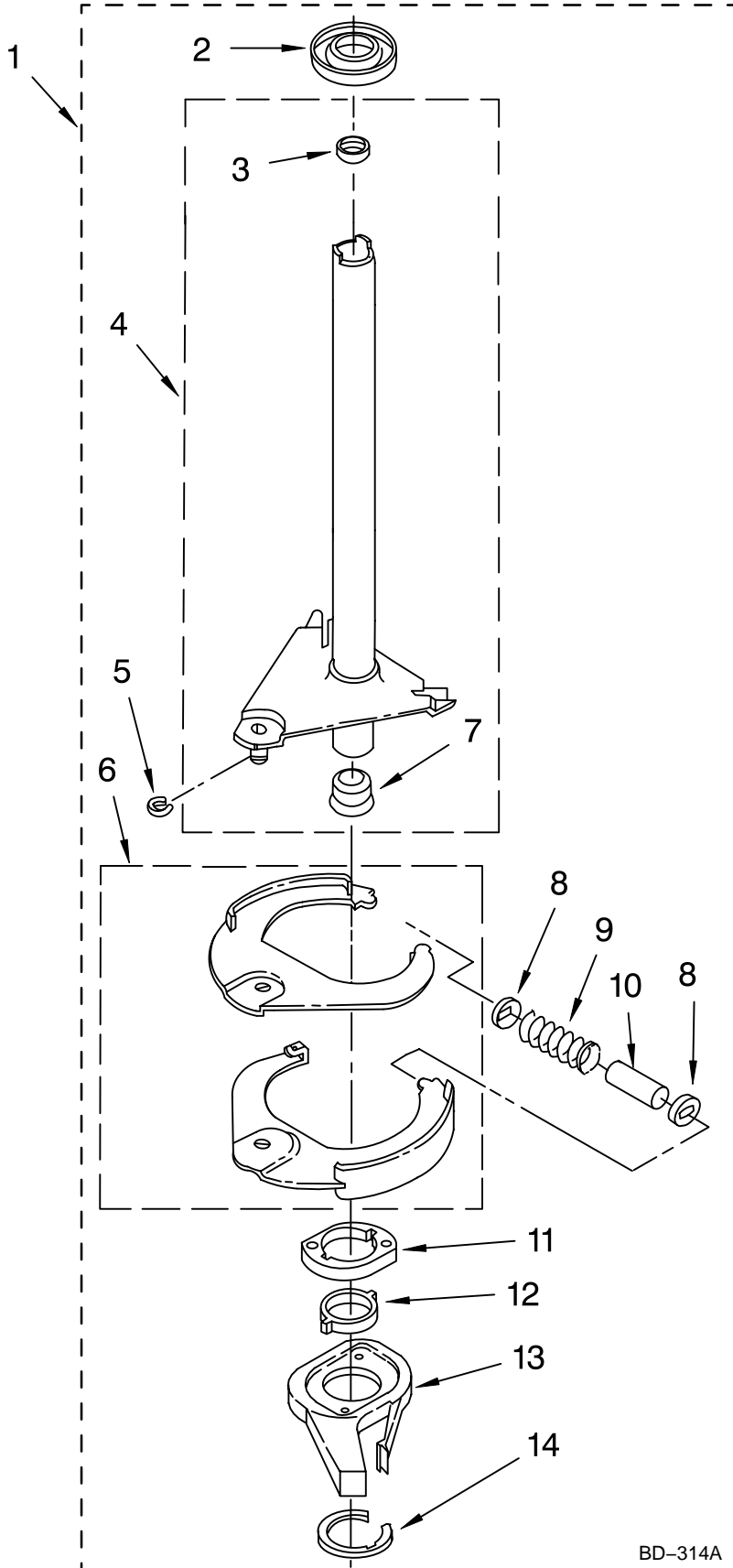
WH2J

FOR ORDERING INFORMATION REFER TO PARTS PRICE LIST

BRAKE AND DRIVE TUBE PARTS

For Model: WTW5505SQ1

(White)



Illus. No.	Part No.	DESCRIPTION
1	388951	Brake And Drive Tube (Complete)
2	62658	Ring, Thrust
3	356427	Seal, Drive Tube
4	64027	Tube, Basket Drive (Includes Illus. 3, 4, 5 & 9)
5	64035	Ring, Retaining
6	64232	Shoe, Brake (2)
7	62703	"T" Bearing, Spin Tube
8	3353956	Cap, Brake Spring (2)
9	62647	Spring, Brake
10	3355360	Sleeve, Brake Spring
11	661516	Cam, Brake Release
12	63022	Sleeve, Cam
13	64194	Driver, Brake Cam
14	90368	Ring, Retaining

FOLLOWING PARTS NOT ILLUSTRATED

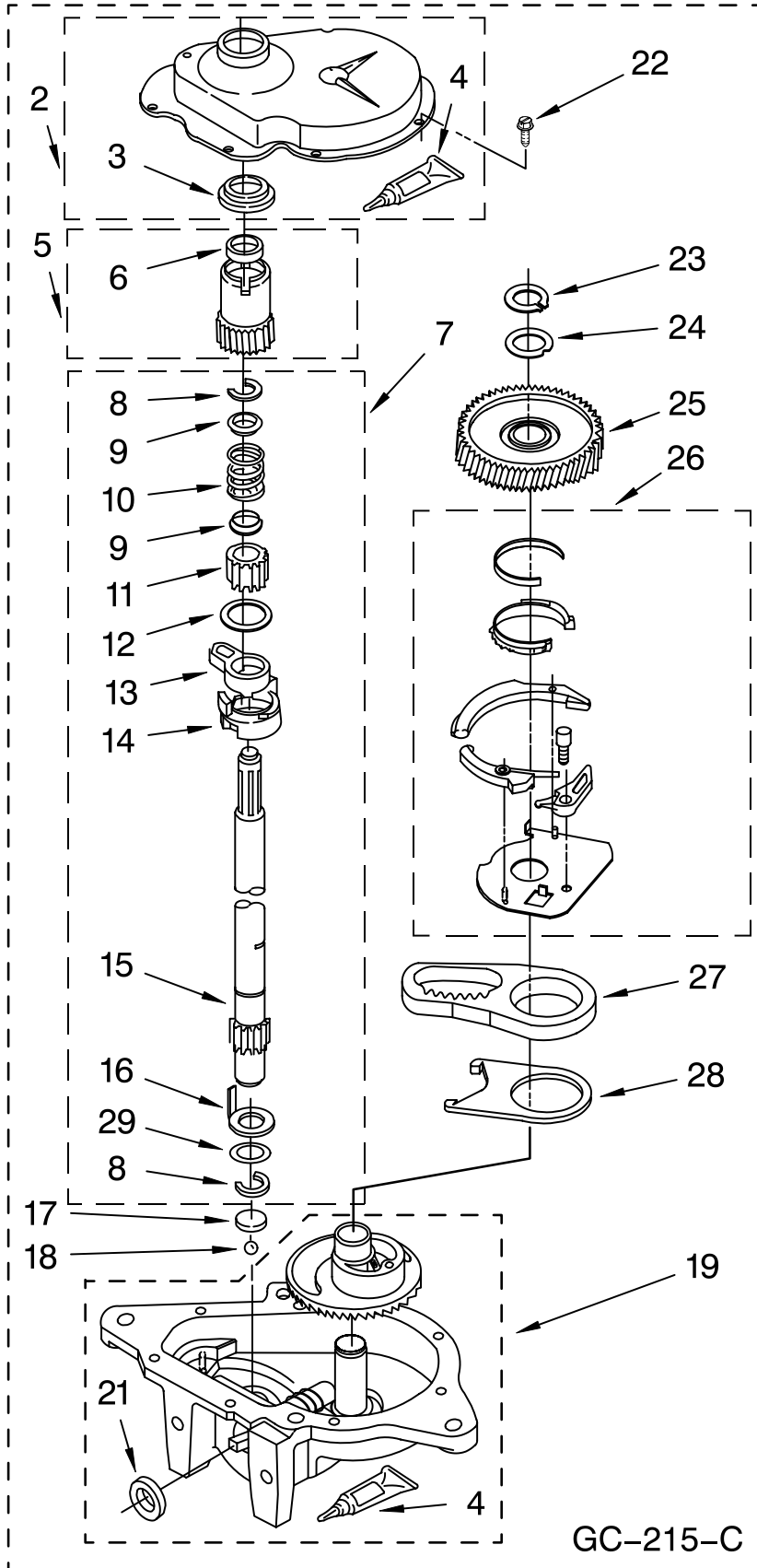
285208 Lubricant
(Use Only In Brake Shoe Assembly On Roller & Pin)

FOR ORDERING INFORMATION REFER TO PARTS PRICE LIST

GEARCASE PARTS

For Model: WTW5505SQ1

(White)



Illus. No.	Part No.	DESCRIPTION
1	3360630	Gearcase (Complete)
2	285202	Cover, Gearcase
3	3349985	Seal, Gearcase Cover
4	285195	Sealer, Gasket (.20 Fl. Oz.) (6 ml)
5	63320	Pinion, Spin (Includes Illus. 25)
6	356427	Seal, Spin Pinion
7	389387	Shaft, Agitator (Complete)
8	90369	Ring, Retaining (2)
9	62677	Retainer, Spring
10	62676	Spring, Agitate
11	63273	Gear, Agitate (Includes 15 and 29)
12	62619	Washer, Agitate Gear
13	62580	Cam Follower (Includes 14)
14	62581	Cam, Agitate (Includes 13)
15	285509	Shaft, Agitator (Includes 11 and 29)
16	62618	Washer, Cam Thrust
17	16018	Bearing, Thrust
18	85529	Ball, Bearing
19	389230	Bottom and Pinion, Gearcase
21	285352	Seal, Thrust Plug
22	3351614	Screw, Gearcase Cover, Mounting (8) (10-24 x 3/8)
23	3362552	Ring, Retaining
24	285735	Washer Kit, Thrust
25	62570	Gear, Spin
26	388253	Neutral Assembly
27	3349296	Rack, Connecting
28	62621	Actuator, Shift
29	388815	Washer, Intermediate

GC-215-C

FOR ORDERING INFORMATION REFER TO PARTS PRICE LIST

OPTIONAL PARTS (NOT INCLUDED)

For Model: WTW5505SQ1

(White)

Illus. No.	Part No.	DESCRIPTION
-------------------	-----------------	--------------------

PAINT, TOUCH-UP (1/2oz.)

72017 White

PAINT, PRESSURIZED SPRAY (12 oz.)

350938 Primer, Gray
350930 White

PAINT, BULK (1 qt.)

799344 White (Uncut)

OIL

350572 Oil, Gearcase
(16 Oz.)

LUBRICANT

285208 Lubricant (Use
Only in Brake
Shoe Assembly
On Roller and
Pin)

SEALER

285195 Sealer, Gasket
(.20 Fl. Oz.) (6 ml)

ACCESSORY PARTS

367031 Drain Protector
280129 Siphon Break Kit
280130 Drain Hose
Adapter Kit
280131 Drain Hose
Extension Kit

FOR ORDERING INFORMATION REFER TO PARTS PRICE LIST