

USER'S INFORMATION, MAINTENANCE AND SERVICE MANUAL

MODELS: P*UR / G9T-UP / FG9-UP (Upflow)



This product was manufactured in a plant whose quality system is certified/registered as being in conformity with ISO 9001.

TABLE OF CONTENTS

CONTACT INFORMATION	1	Motor Lubrication	5
USER'S INFORMATION	1	SEQUENCE OF OPERATION	5
SAFETY	1	Continuous Blower	5
INSTRUCTIONS FOR EXAMINING THE FURNACE		Intermittent Blower - Cooling	5
INSTALLATION	2	Heating Cycle	5
HOW YOUR GAS FURNACE WORKS	3	Hot Surface Ignition System	6
START-UP AND SHUTDOWN INSTRUCTIONS	3	FURNACE CLEANING SECTION	6
Read the Instructions Below Before Trying to Start the Furnace	3	Burner Removal/Cleaning	6
Operating Instructions:	3	Cleaning the Heat Exchanger	6
To Turn Off the Appliance:	3	Cleaning the Secondary Heat Exchanger	6
FURNACE USER MAINTENANCE	4	TROUBLESHOOTING	6
SERVICE AND MAINTENANCE MANUAL	4	FURNACE CONTROL DIAGNOSTICS	7
SAFETY SECTION	4	REPLACEMENT PARTS LIST	8
FURNACE MAINTENANCE SECTION	4	FIELD INSTALLED ACCESSORIES - NON-ELECTRICAL	10
Air Filters	4	FIELD INSTALLED ACCESSORIES - ELECTRICAL	10
Removing Filters	4	REPLACEMENT PART CONTACT INFORMATION	10
Blower Care	5	LIMITED WARRANTY	12

CONTACT INFORMATION

- Go to website at www.york.com click on "contact", then click on "contact form" and follow the instructions.
- Contact us by mail:

York International
Consumer Relations
5005 York Drive
Norman, OK 73069

The manufacturer recommends that the user read all sections of this manual and keep the manual for future reference.

WARNING

FIRE OR EXPLOSION HAZARD - Failure to follow safety warnings exactly could result in serious injury, death, or property damage.

— **Do not store or use gasoline or other flammable vapors and liquids in the vicinity of this or any other appliance.**

— **WHAT TO DO IF YOU SMELL GAS:**

- Do not try to light any appliance.
- Do not touch any electrical switch; do not use any phone (including cell phone) in your building.
- Leave the building immediately.
- Immediately call your gas supplier from a neighbor's phone. Follow the gas supplier's instructions.
- If you cannot reach your gas supplier, call the fire department.

— **Installation and service must be performed by a qualified installer, service agency or the gas supplier.**

SECTION I: USER'S INFORMATION

SAFETY

1. The furnace area must be kept clear and free of combustible materials, gasoline and other flammable vapors and liquids.
2. Insulating materials may be combustible. The furnace must be kept free and clear of insulating materials. The furnace area must be examined when installed in an attic or other insulated space or when insulation is added to be sure that the insulation material has been kept away from the furnace.
3. The furnace needs air for combustion in order to operate properly and safely. Do not block or obstruct air openings on the furnace, air openings to the area where the furnace is installed, or spaces around the furnace.
4. Follow the instructions exactly as shown on the OPERATING INSTRUCTION LABEL or the Start-up and Shutdown Instructions on Page 3 of this manual when lighting the furnace or turning the furnace off.
5. Should the gas supply fail to shut off or if overheating occurs, shut off the gas valve to the furnace before shutting off the electrical supply.
6. Do not use this furnace if any part has been under water. A flood-damaged furnace is extremely dangerous. Attempts to use the furnace can result in fire or explosion. A qualified service agency should be contacted to inspect the furnace and replace all gas controls, control system parts, electrical parts that have been wet or the furnace if deemed necessary.

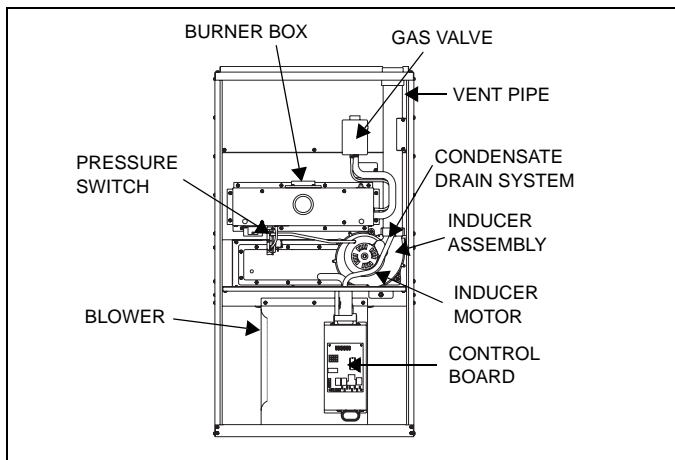


FIGURE 1: Component Locations

7. NEVER . . . Store flammable materials of any kind near your furnace. Gasoline, solvents, and other volatile liquids should be stored only in approved containers outside your home. These materials vaporize easily and are extremely dangerous.
8. NEVER . . . Store cleaning materials near your furnace. Materials such as bleaches, detergents, powdered cleansers, etc., can cause corrosion of the heat exchangers.
9. NEVER . . . Use the area around your furnace as a storage area for items which could block the normal flow of air. This flow of air is required for ventilation of the various furnace components.

WARNING

FIRE OR EXPLOSION HAZARD

This furnace is designed and approved for use with Natural Gas and (LP) Propane Gas ONLY. DO NOT BURN ANY LIQUID FUEL OR SOLID FUEL IN THIS FURNACE. Burning any unapproved fuel will result in damage to the furnace heat exchanger, which could result in Fire, Personal Injury, and/or Property Damage.

INSTRUCTIONS FOR EXAMINING THE FURNACE INSTALLATION

It is the owner's responsibility to ensure that an annual inspection of the entire heating portion of the unit is made by a qualified service agency.

1. Examine the heating exchanger, vent/combustion air piping, vent connectors and chimney to be sure they are clear and free of obstructions.
2. Examine the vent pipe making sure it is in firmly place, that it slopes slightly upward and is physically sound without holes and all of the connections are secure.
3. Examine the return-air duct connections to make sure they are physically sound, sealed to the furnace casing, and the ducts terminate outside the space containing the furnace.
4. Examine the furnace casing making sure the physical support is sound without sagging, cracks or gaps. Examine the furnace base making sure it is physically sound without cracks, gaps or sagging and has a good seal.
5. Examine the furnace casing for obvious signs of deterioration.
6. Examine the burner flames to make sure they are in good adjustment. Refer to the pictorial sketch shown in Figure 2 as a comparison to the actual flame.
7. Examine the furnace as outlined above in steps "1 - 6" before each heating season. Use Figure 3 for visual reference.

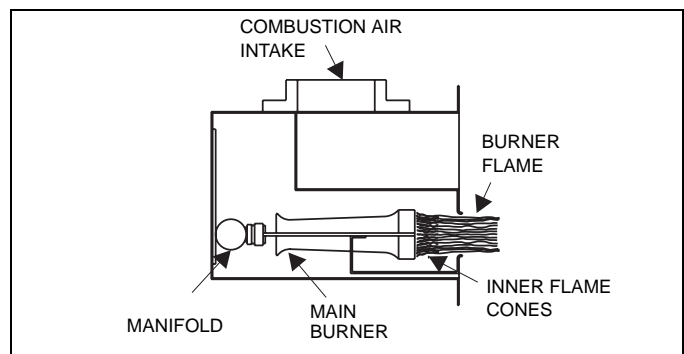


FIGURE 2: Burner Flame Drawing

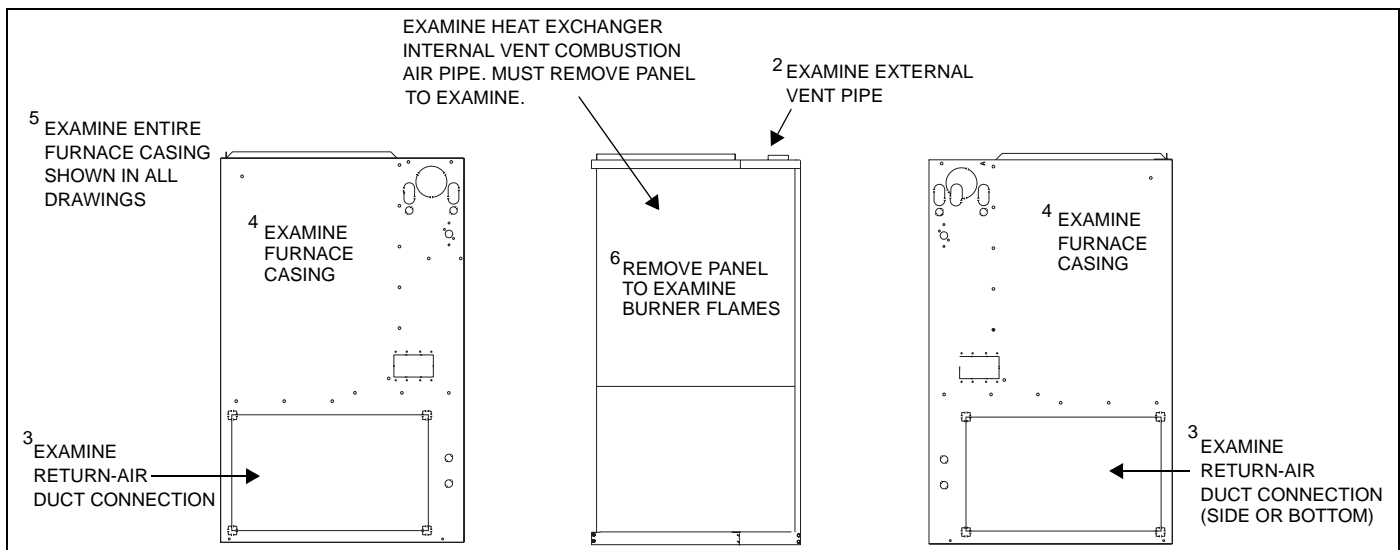


FIGURE 3: Furnace Examination Checkpoints

HOW YOUR GAS FURNACE WORKS

Your furnace is a very easy appliance to take for granted. Season after season, it sits there in your home, keeping you warm and comfortable. For this reason, you may never have given much thought to the way your furnace operates. In order to get the safest and most efficient operation from your furnace, you should understand how your furnace does its job.

When you set your thermostat to provide more heat in your home, you are starting the heating cycle of the furnace. First, the inducer motor starts to purge the heat exchanger of any remaining gases. Next, the hot surface ignitor glows and after a warm-up period the gas valve opens and ignition occurs. A short time later, the blower starts and distributes the warm air throughout the home. When the temperature setting on your thermostat is reached, the gas valve closes, the main burners are turned off, and the blower continues to run until the remaining warm air in the system is distributed. When the blower stops, the heating cycle has ended.

START-UP AND SHUTDOWN INSTRUCTIONS

Read the Instructions Below Before Trying to Start the Furnace

WARNING

If you do not follow these instructions exactly, a fire or explosion may result causing property damage, personal injury, and/or loss of life.

- This appliance does not have a pilot. It is equipped with an ignition device which automatically lights the burner. Do not try to light the burner by hand.
- BEFORE OPERATING;** smell all around the appliance area for gas. Be sure to smell next to the floor because some gas is heavier than air and will settle on the floor.
- Use only your hand to push the gas control switch to the "on" position. Never use tools. If the switch will not operate by hand, don't try to repair it, call a qualified service technician. Force or attempted repair may result in a fire or explosion.
- Do not use this appliance if any part has been under water. Immediately call a qualified service technician to inspect the appliance and to replace any part of the control system and any gas control, which has been under water.

Operating Instructions:

- STOP! Read the safety information above.
- Set the thermostat to the lowest setting.
- Turn off all electric power to the appliance.
- Remove burner access panel.
- Move gas control switch to the "OFF" position. Do not force.
- Wait five (5) minutes to clear out any gas. If you then smell gas, STOP! Follow "B" in the safety information above. If you don't smell gas, go to next step.
- Move gas control switch to the "ON" position. Do not force.
- Replace burner access panel.
- Turn on all electric power to the appliance.
- Set thermostat to the desired setting. Burner will light, which may take 30-60 seconds.
- After three (3) trials for ignition, if the appliance will not operate follow the instructions, "TO TURN OFF THE APPLIANCE" and call your service technician or gas supplier.

To Turn Off the Appliance:

- Set the thermostat to lowest setting.
- Turn off all electric power to the appliance if service is to be performed.
- Remove burner access panel.
- Move gas control switch to the "OFF" position.
- Replace burner access panel.

WARNING

Should overheating occur, or the gas valve fail to shut off, turn the external manual gas valve in the gas supply line to the furnace to the "off" position and let the furnace cool off before shutting off the electrical power supply. Refer to Figure 5.

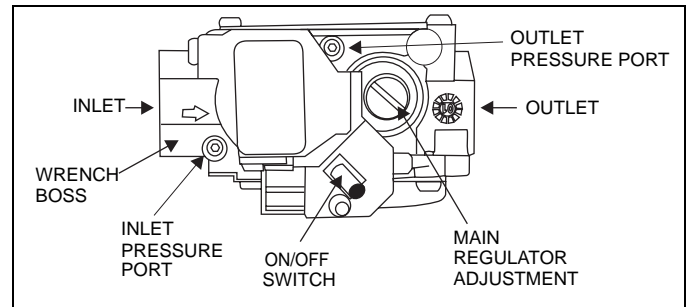


FIGURE 4: Gas Valve - White Rodgers

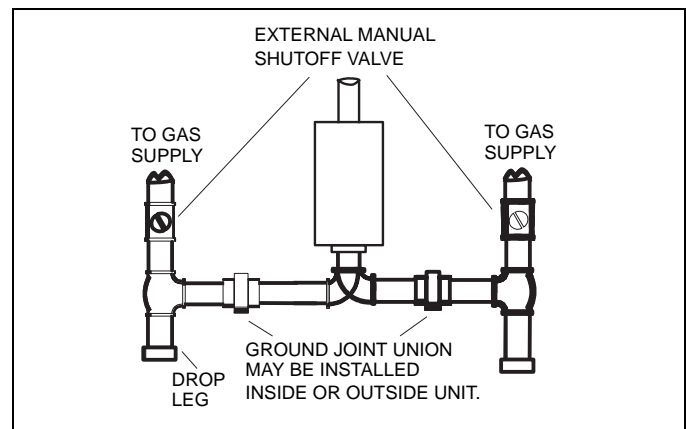


FIGURE 5: Gas Piping

NOTE: The spring-loaded safety cut-off switch, mounted under the blower deck will automatically cut off the electrical power supply to the furnace when the blower panel is removed. As a safety precaution, all electrical power and the gas supply to the furnace should be turned off before servicing.

FURNACE USER MAINTENANCE

⚠ WARNING

Before proceeding, be sure the area is well ventilated. Turn the thermostat OFF. If the blower is running, wait until it stops automatically. Turn OFF the gas and electrical power supplies to the furnace. Check all metal parts and surfaces to be sure they have cooled to room temperature before you begin.

Every time the filters are changed the following items should be visually inspected:

- Check combustion air and vent pipe for blockage or leakage.
- Check all components to be sure they are in good condition and that there are no obvious signs of deterioration.
- Check the drain lines to make sure there are no cracks or leaks.
- Check for dirt or lint on any surfaces or on components. Do not try to clean any of the surfaces or components. Cleaning of the furnace and its components must be done by a qualified service professional.

If, during the inspection of your furnace, you find any of the following conditions:

- Excessive amounts of dust and lint on components.
- Damaged or deteriorated components or surfaces.
- Leaks or blockage in the vent pipe passages.
- Water on any surface inside or outside of the furnace.

Do not operate the furnace, call a certified dealer / servicing contractor to check and / or clean your furnace, or for more information if you have questions about the operation of your furnace.

If all components appear to be in good operating condition, replace the front panels. Turn ON the gas and electrical power supplies to the furnace, and set thermostat to the desired temperature.

SECTION II: SERVICE AND MAINTENANCE MANUAL

SAFETY SECTION

The following safety rules must be followed when servicing the furnace.

⚠ WARNING

ELECTRIC SHOCK, FIRE OR EXPLOSION HAZARD

Failure to follow safety warnings exactly could result in dangerous operation, serious injury, death or property damage.

Improper servicing could result in dangerous operation, serious injury, and death or property damage.

- Before servicing, disconnect all electrical power to the furnace.
- When servicing controls, label all wires prior to disconnecting. Reconnect wires correctly.
- Verify proper operation after servicing.

FURNACE MAINTENANCE SECTION

The furnace should be cleaned and adjusted by a certified dealer or qualified service contractor once a year or before the start of every heating season. The following items must be cleaned and serviced or replaced if there are signs of deterioration.

1. The vent terminal screen (if applicable).

2. The furnace vent and combustion air intake passageways. Should it be necessary to service the vent/air intake system, the manufacturer recommends this service be conducted by a qualified service agency. The operation of this appliance requires the reassembly and resealing of the vent/air intake system.
3. The furnace burners, ignitor and flame sensor.
4. The condensate collection and disposal system. If any disassembly of components containing flue or vent gases is required, a qualified service agency must perform the service.

Air Filters

The filters should be checked every 3 months. On new construction, check the filters every week for the first four weeks and every three weeks after that, especially if the indoor fan is running continuously. When replacing the filter(s), refer to Table 1 to be sure you install the right size filter for your furnace. Dirty filters greatly restrict the flow of air and may cause damage to the moving parts of the furnace. If the filters become clogged the heat exchangers and blower motor could overheat resulting in a potentially dangerous situation.

Never operate your furnace without a suitable air filter.

Removing Filters

Internally Mounted Air Filters

Most upflow furnaces have their filters located on the side or bottom of the furnace in a filter wire retainer located inside the blower compartment. To check filters located in the blower compartment:

1. Remove the upper furnace door by lifting up. Pull out bottom of door and lower from furnace.
2. Remove the blower compartment panel by lifting up.
3. The filters will be located on the bottom or the one of the sides. To remove bottom-mounted or side mounted filter (s) on all furnaces, push the looped end of the filter retainer rod in, and then move away from the filter.
4. Reverse the procedure to reinstall filters.

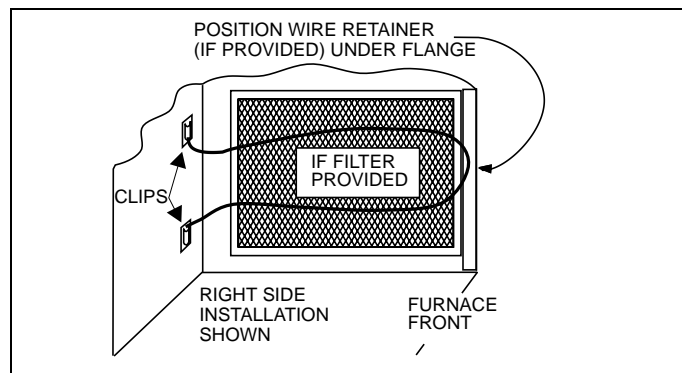


FIGURE 6: Upflow Internal Filter Retainer

Externally Mounted Air Filters

Some installations may have the air filter in a rack attached to the casing of the furnace or placed in the return air duct. You can gain access to the filter by pulling on the door or unscrewing the retaining screw, then slide the filter(s) out of its channel. Replace throw away filter(s) with the same size new filter(s). Throw away filter(s) may be replaced with cleanable filter(s) at this time. Cleanable filter(s) may be cleaned as described in the manufacturer instructions or as described below and then re-installed.

To replace the filter after cleaning you must do the following:

1. Slide filter into place.
2. Snap the door on or place the door in position and tighten the retaining screws, if provided.
3. Make sure the door is secure to the end of the filter rack.

TABLE 1: Filter Sizes

Input / Output BTU/H (kW)	CFM (cm/m)	Cabinet Size	Side (in)	Side (mm)	Bottom (in)	Bottom (mm)
40/37 (11.71/10.84)	1000 (28.32)	14-1/2" (A)	16 x 25	406 x 635	14 x 25	356 x 635
60/55/ (17.57/16.10)	1000 (28.32)	17-1/2" (B)	16 x 25	406 x 635	16 x 25	406 x 635
80/75/ (23.42/21.96)	1200 (33.98)	17-1/2" (B)	16 x 25	406 x 635	16 x 25	406 x 635
80/75/ (23.42/21.96)	1600 (45.31)	21" (C)	16 x 25	406 x 635	20 x 25	508 x 635
100/95 (29.28/27.82)	1400 (39.64)	21" (C)	16 x 25	406 x 635	20 x 25	508 x 635
100/95 (29.28/27.82)	2000 (56.63)	21" (C)	(2) 16 x 25	(2) 406 x 635	20 x 25	508 x 635
120/112/ (35.14/32.80)	2000 (56.63)	24-1/2" (D)	(2) 16 x 25	(2) 406 x 635	22 x 25	559 x 635
140/130/ (40.99/38.06)	2000 (56.63)	24-1/2" (D)	(2) 16 x 25	(2) 406 x 635	22 x 25	559 x 635

How to Clean your Filter

High-velocity filters may be cleaned with a vacuum cleaner or washed with a garden hose. Be sure to shake off excess water and allow filter to completely dry before re-installing the filter.

Blower Care

Even with good filters properly in place, blower wheels and motors will become dust laden after long months of operation. The entire blower assembly should be inspected annually. If the motor and wheel are heavily coated with dust, they can be brushed and cleaned with a vacuum cleaner. If the blower cannot be properly cleaned without removing it from the furnace, then this service must be performed by a qualified service agency.

▲ WARNING

Make sure you DO NOT move the clip on weight on the indoor fan wheel when cleaning the wheel. This weight is used to balance the wheel. Moving the weight will cause the fan wheel to vibrate.

Motor Lubrication

The motors in these furnaces are permanently lubricated, and do not require periodic oiling.

SEQUENCE OF OPERATION

The following describes the sequence of operation of the furnace. Refer to Figure 1 for component location.

Continuous Blower

Cooling/heating thermostats have a fan switch that has an ON and AUTO position. In the ON position the thermostat circuit is completed between terminals R and G. The motor will operate on the speed tap wire that is connected to the cooling terminal on the control board. To obtain a constant air circulation at lower flow rate, change the high-speed wire to either the medium speed wire or the low speed wire.

Intermittent Blower - Cooling

Cooling/heating thermostats have a fan switch that has an ON and AUTO position. In the AUTO position the thermostat circuit is completed between terminals R and G when there is a call for cooling. The motor will operate on the speed tap wire that is connected to the cooling terminal on the control board. The fan off setting is fixed at 60 seconds for SEER enhancement.

Heating Cycle

When the thermostat switch is set on HEAT and the fan is set on AUTO, and there is a call for heat, a circuit is completed between terminals R and W of the thermostat. When the proper amount of combustion air is being provided, the pressure switch will close, the ignition control provides a 17-second warm-up period, the gas valve then opens, the gas starts to flow, ignition occurs and the flame sensor begins its sensing function. The blower motor will energize 30 seconds after the gas valve opens, if a flame is detected. Normal furnace operation will continue until the thermostat circuit between R and W is opened, which causes the ignition system and gas valve to de-energize and the burner flames to be extinguished. The vent motor will operate for 15 seconds and the blower motor will operate for the amount of time set by the fan-off delay jumper located on the control board. See Figure 7. The heating cycle is complete, and ready for the start of the next heating cycle.

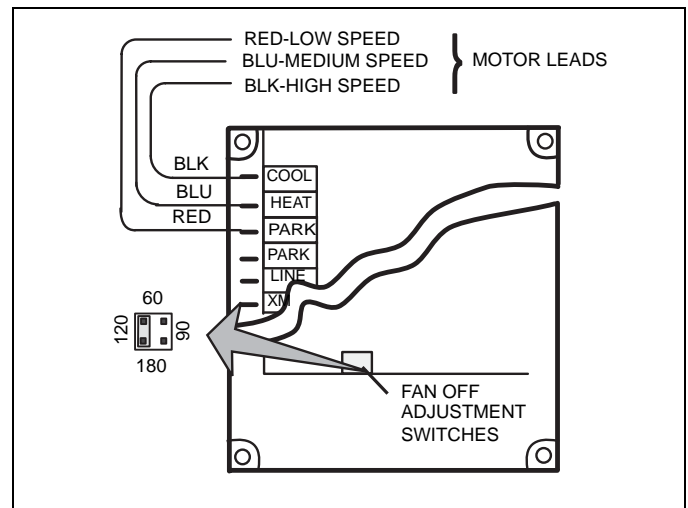


FIGURE 7: Typical Heat/Cool Speed Tap Connections

If the flame is not detected within 2 seconds of the gas valve opening, the gas valve is shut off and a retry operation begins. If the flame is lost for 2 seconds during the 10-second stabilization period, the gas valve is shut off and a retry operation begins. During a retry operation, the vent motor starts a 15 second inter-purge and the ignitor warm-up time is extended to 27 seconds. If the flame is established for more than 10 seconds after ignition during a retry, the control will clear the ignition attempt (retry) counter. If three retries occur during a call for heat, the furnace will shut down for one hour. If at the end of the one hour shut down there is a call for heat, the furnace will initiate a normal start cycle. If the problem has not been corrected the furnace will again lockout after three retries.

A momentary loss of gas supply, flame blowout, or a faulty flame probe circuit will result in a disruption in the flame and be sensed within 1.0 seconds. The gas valve will de-energize and the control will begin a recycle operation. A normal ignition sequence will begin after a 15 second inter-purge. If during the five recycles the gas supply does not return, or the fault condition is not corrected the ignition control will lockout for 60 minutes.

During burner operation, a momentary loss of power for 50 milliseconds or longer will de-energize the gas valve. When the power is restored, the gas valve will remain de-energized and the ignition sequence will immediately restart.

Hot Surface Ignition System

WARNING

HOT SURFACE IGNITION SYSTEM

Do not attempt to light this furnace by hand (with a match or any other means). There may be a potential shock hazard from the components of the hot surface ignition system. The furnace can only be lit automatically by its hot surface ignition system.

FURNACE CLEANING SECTION

NOTE: The cleaning operations listed below must be performed only by a qualified service agency.

Burner Removal/Cleaning

The main burners should be checked periodically for dirt accumulation. If cleaning is required, follow this procedure:

1. Turn off the electrical power to the unit.
2. Turn off the gas supply at the external manual shut-off valve and loosen the ground union joint.
3. Remove the upper access panel and remove the burner box cover.
4. Disconnect wires from flame sensor, rollout switch and HSI igniter. Remove igniter carefully, as it is easily broken.
5. Remove the screws that hold the burner box assembly to the vest panel and remove the assembly.
6. Remove burners from the burner assembly.
7. Burners may be cleaned by rinsing in hot water.
8. Reassemble the burners in the reverse order.

Cleaning the Heat Exchanger

1. Turn off the electrical power to the unit.
2. Turn off the gas supply at the external manual shut-off valve and loosen the ground union joint.
3. Remove the upper access panel and remove the burner box cover.
4. Disconnect wires from flame sensor, rollout switch and HSI igniter. Remove igniter carefully, as it is easily broken.
5. Remove the screws that hold the burner box assembly to the vest panel and remove the assembly.

6. Remove burners from the burner assembly.
7. Remove the upper cover plate at the top of the furnace. Remove the internal baffle.
8. The upper portion of the heat exchanger is now exposed.
9. With a long flexible wire brush, clean inside each tube at both the top and bottom. The brush must pass around the rear heat exchanger tubes and then vacuum loose the scale and dirt from each tube.
10. Clean - vacuum all burners.
11. Replace all components in reverse order. Reconnect all wiring.
12. Restore electrical power and gas supply to the furnace.
13. Check furnace operation.

CAUTION

Label all wires prior to disconnection when servicing controls. Wiring errors can cause improper and dangerous operation. Verify proper operation after servicing.

Cleaning the Secondary Heat Exchanger

1. Follow steps 1 - 8 under cleaning the Heat Exchanger.
2. Remove the vent piping from the vent blower housing. Disconnect the drain lines from the vent blower housing and from the condensate drain pan. Remove the vent blower housing blower and the condensate pan. The turbulators can then be gently removed from the secondary heat exchanger.
3. Using a stiff wire brush, remove the loose scale or soot from each tube.
4. Vacuum the secondary heat exchanger.
5. Finish the cleaning procedure by following steps 11 thru 13 under cleaning the Heat Exchanger.

TROUBLESHOOTING

The following visual checks should be made before troubleshooting:

1. Check to see that the power to the furnace and the ignition control module is ON.
2. The manual shut-off valves in the gas line to the furnace must be open.
3. Make sure all wiring connections are secure.
4. Review the sequence of operation. Start the system by setting the thermostat above the room temperature. Observe the system's response. Then use the troubleshooting section in this manual to check the system's operation.

FURNACE CONTROL DIAGNOSTICS

The furnace has built-in, self-diagnostic capability. If a system problem occurs, a blinking red LED shows a fault code. It is located behind a clear view port in the blower compartment door. DO NOT remove the furnace blower compartment panel OR turn off furnace power, as either action will clear the control's memory of the fault.

The control continuously monitors its own operation and the operation of the system. If a failure occurs, the LED will indicate the failure code. If the failure is internal to the control, the light will stay on continuously. In this case, the entire control should be replaced, as the control is not field repairable.

Flash sequence codes 1 through 11 are as follows: LED will turn "on" for one second and "off" for one second. This pattern will be repeated the number of times equal to the code. For example, six "on" flashes equals a number 6 fault code. All flash code sequences are broken by a 2 second "off" period.

WARNING

Never bypass pressure switch to allow furnace operation. To do so will allow furnace to operate under potentially hazardous conditions.

Do not try to repair controls. Replace defective controls with UPG Source 1 Parts.

Never adjust pressure switch to allow furnace operation.

CONTINUOUS FLASH: This indicates that flame was sensed when there was not a call for heat. With this fault code the control will turn on both the inducer motor and supply air blower. A gas valve that leaks through or is slow closing would typically cause this fault.

2 FLASHES: This indicates that the normally open pressure switch contacts are stuck in the closed position. The control confirms these contacts are open at the beginning of each heat cycle. This would indicate a faulty pressure switch or miswiring.

3 FLASHES: This indicates the normally open pressure switch contact did not close at the beginning of the heat cycle. This could be caused by a number of problems faulty inducer, blocked vent pipe, broken pressure switch hose or faulty pressure switch.

4 FLASHES: This indicates that a primary or auxiliary limit switch has opened its normally closed contacts. With this fault code the control will operate the supply air blower and inducer. This condition may be caused by: dirty filter, improperly sized duct system, incorrect blower speed setting, incorrect firing rate or faulty blower motor.

5 FLASHES: This fault is indicated if the normally closed contacts in the rollout switch opens. The rollout control is manually reset. If it has opened, check for proper combustion air, proper inducer operation, and primary heat exchanger failure or burner problem. Be sure to reset the switch after correcting the failure condition.

6 FLASHES: This indicates that after the unit was operating, the pressure switch opened 4 times during the call for heat. If the main blower is in a "Delay on" mode it will complete it, and any subsequent delay off period. The vent motor continues to operate until the pressure switch re-closes or a call for heat is removed.

7 FLASHES: This fault code indicates that the flame could not be established. This no-light condition occurred 3 times (2 retries) during the call for heat before locking out. Low gas pressure, faulty gas valve, faulty hot surface ignitor or burner problem may cause this.

8 FLASHES: This fault is indicated if the flame is lost 5 times (4 recycles) during the heating cycle. This could be caused by low gas pressure or faulty gas valve.

9 FLASHES: Indicates reversed line voltage polarity. Both heating and cooling operations will be affected. Check polarity at furnace and branch.

11 FLASHES: This fault will be indicated if the rollout jumper wire connection soldered into the board is broken. If this fault occurs the control will have to be replaced. This fault may also occur in installations where an improper ground is present. Prior to replacing control, verify that unit is properly grounded.

STEADY ON: This fault occurs if the gas valve is energized when there is no call for heat. If this happens the vent motor is energized and will remain energized for 5 seconds or until the fault clears itself at which point the vent motor de-energizes. This failure is counted as a recycle. Check the gas valve and control for proper operation.

60-MINUTE AUTOMATIC RESET FROM LOCKOUT: This control includes a "watchdog" type circuit that will reset from a lockout condition after 60 minutes. Operational faults 1,6,7,8 and Steady On will be reset. This provides protection to an unoccupied structure if a temporary condition exists causing a furnace malfunction. An example would be a low incoming gas supply pressure preventing unit operation. When the gas pressure is restored, at some point the "watchdog" would restart the unit and provide heat for the house.

NOTE: If a flame is detected the control flashes the LED for 1/8 of a second and then enters a flame stabilization period.

IGNITION CONTROL (P/N 031-01972-001)
 Normal flame sense current is approximately
 3.7 microamps DC (μ a)
 Low flame signal control lockout point is
 0.9 microamps DC (μ a)

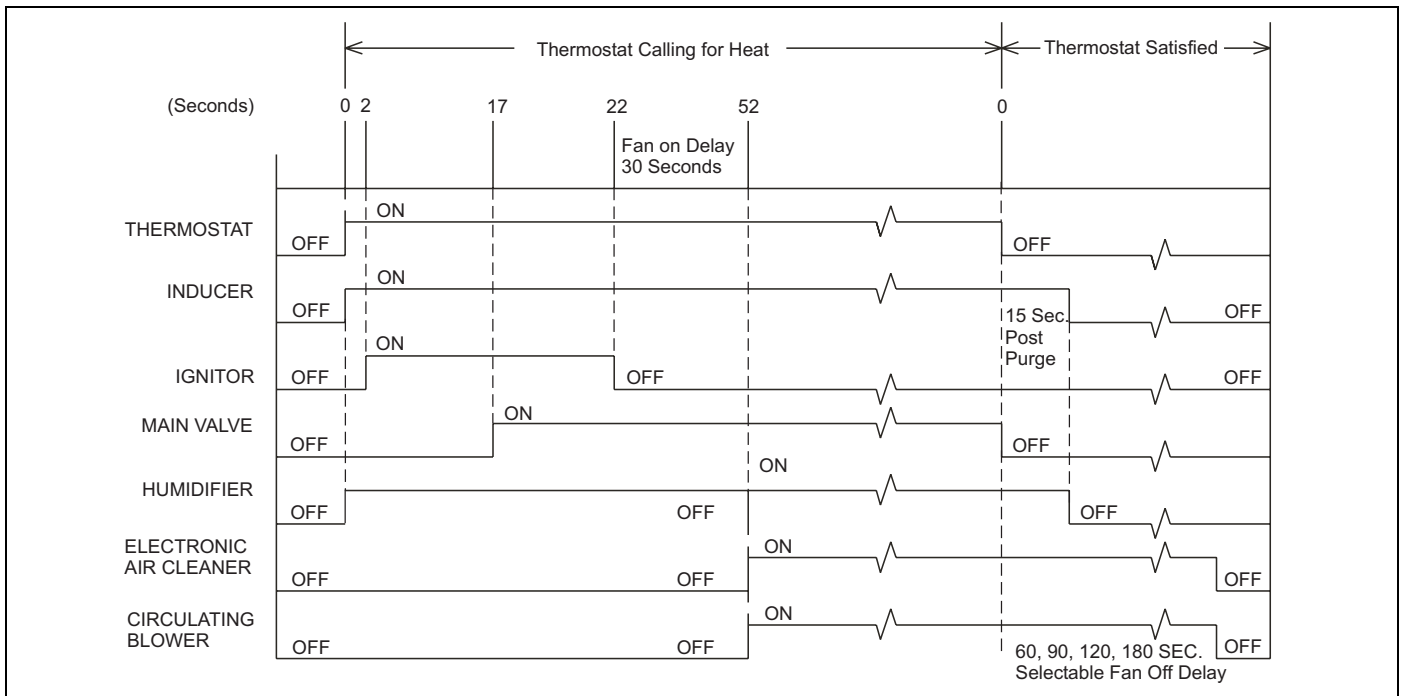
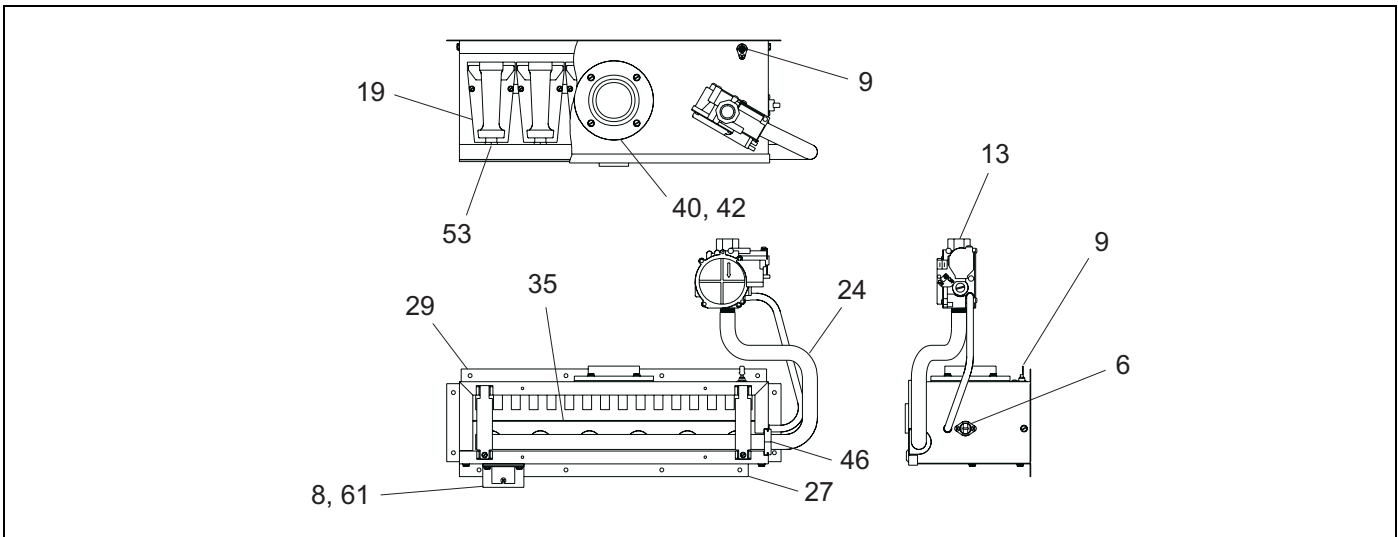
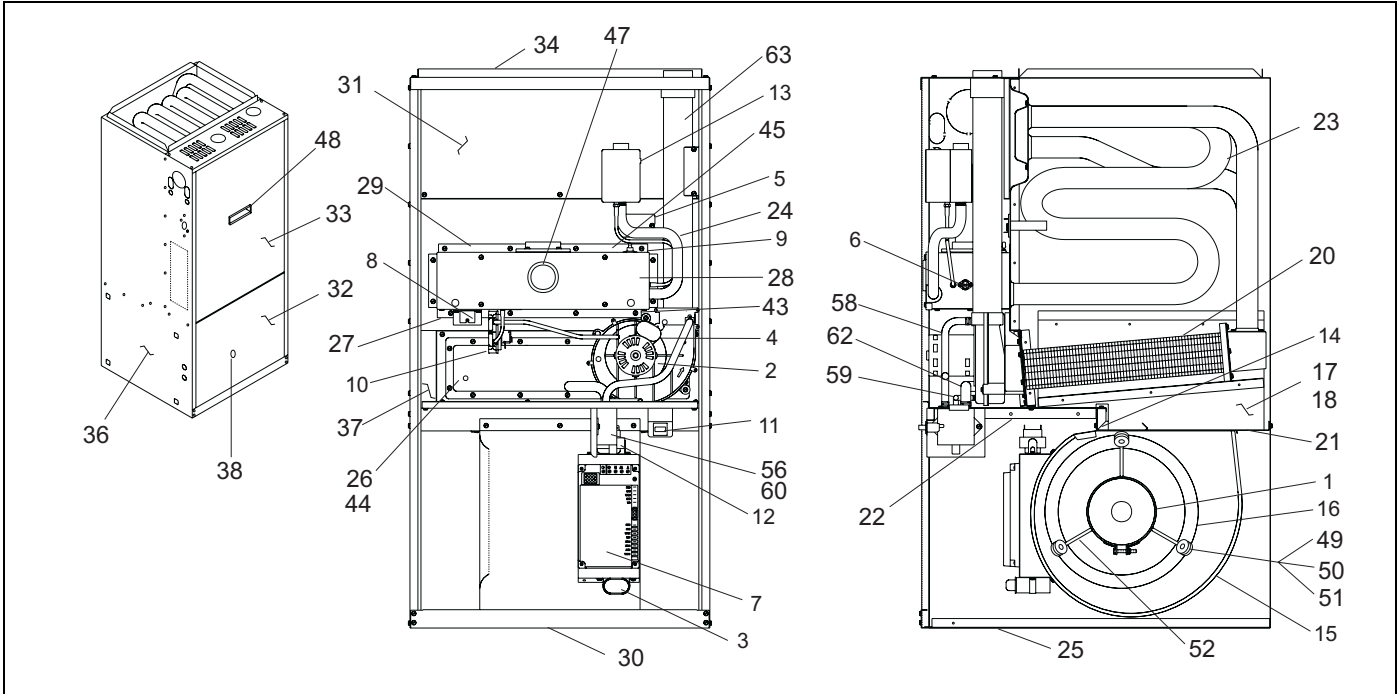


FIGURE 8: Furnace Control Event Schedule

SECTION III: REPLACEMENT PARTS LIST



ITEM	DESCRIPTION
MOTOR	
1	MOTOR,DIRECT DRIVE BLOWER
2	MOTOR,VENTOR ASS'Y
ELECTRICAL	
3	CAPACITOR (7.5MFD/370V)
	CAPACITOR (10 MFD/370V)
4	CAPACITOR, VENTOR (4MFD/370V)
5	CONTROL, HIGH LIMIT
6	CONTROL,FLAME ROLL OUT
7	CONTROL,FURNACE
7A	FUSE
8	IGNITER
9	SENSOR, FLAME
10	SWITCH, AIR PRESSURE [LP]
11	SWITCH, DOOR
12	TRANSFORMER
13	VALVE, GAS
AIR MOVING	
14	CUTOFF,BLOWER
15	HOUSING, BLOWER
16	WHEEL, BLOWER
FABRICATED PARTS	
17	BAFFLE, AIR (LH Recoup.Coil)
18	BAFFLE, AIR (RH Recoup.Coil)
19	BURNER, MAIN GAS
20	COIL, SECONDARY HEAT EXCHANGER
21	DECK, BLOWER (Rear)
22	DECK, FRONT
23	HEAT EXCHANGER ASS'Y (Primary)
24	MANIFOLD, GAS
25	PAN, BASE
26	PAN, CONDENSATE
27	PANEL, BURNER BOX (Bottom)
28	PANEL, BURNER BOX (Front)
29	WRAPPER, BURNER BOX
30	CHANNEL, TOE PLATE

ITEM	DESCRIPTION
31	COVER, HEAT EXCHANGER
32	PANEL, FRONT (Blower)
33	PANEL, FRONT (Burner)
34	PANEL, TOP
35	SUPPORT, BURNER
36	WRAPPER, CABINET
37	PANEL, VESTIBULE (Lower)
38	PLUG, WINDOW, CLEAR - .875"
MISCELLANEOUS	
39*	CLIP, FILTER RETAINER(2Req'd) P3U,G9T
40	COLLAR, AIR INTAKE (Burner Box)
41	FILTER, AIR
	FILTER SIZE - Refer to Table 1
42	GASKET, AIR INTAKE
43	GASKET, COMBUSTION BLOWER
44	GASKET, CONDENSATE PAN
45	GASKET, BURN BOX TO VEST PANEL
46	GROMMET, MANIFOLD SEAL
47	PLUG, WINDOW,CLEAR - 1.5"
48	HANDLE, DOOR
49	ISOLATOR, TUBE (3 Req'd.)
50	ISOLATOR, WASHER (3 Req'd.)
51	ISOLATOR,SLEEVE (3 Req'd.)
52	MOUNT, MOTOR
53	ORIFICE, BURNER (Natural #45)
54	
55*	RETAINER, FILTER
56	TRAP, CONDENSATE
57*	WIRING DIAGRAM
58	TUBE, DRAIN RAIN GUTTER
59	TUBE, CONDENSATE DRAIN
60	TUBE, DRAIN CONDENSATE TRAP
61	BRACKET, IGNITOR
62	TUBE, DRAIN CONDENSATE PAN
63	PIPE EXHAUST VENT

NOTE: *Not Shown

New replacement parts shown in **bold** face type at the first printing of parts list dated 11/02.
Major components and suggested stocking items are shown with shaded item number.



**FIELD INSTALLED ACCESSORIES -
NON-ELECTRICAL**

MODEL NO.	DESCRIPTION USED WITH
1NP0347	PROPANE (LP) CONVERSION KIT ALL MODELS EXCEPT 140 MBH
1NP0349	PROPANE (LP) 140 MBH
1CT0302	CONCENTRIC INTAKE/VENT 2"
1CT0303	CONCENTRIC INTAKE/VENT 3"
1PS0306	HIGH ALTITUDE PRESSURE SWITCH KIT (Does Not Include Orifices)
1PS0307	HIGH ALTITUDE PRESSURE SWITCH KIT (Does Not Include Orifices)
1PS0308	HIGH ALTITUDE PRESSURE SWITCH KIT (Does Not Include Orifices)
1PS0309	HIGH ALTITUDE PRESSURE SWITCH KIT (Does Not Include Orifices)
1PS0310	HIGH ALTITUDE PRESSURE SWITCH KIT (Does Not Include Orifices)
1BR0314	EXTERNAL BOTTOM FILTER RACK 14-1/2" CABINETS
1BR0317	17-1/2" CABINETS
1BR0321	21" CABINETS
1BR0324	24-1/2" CABINETS
1NK0301	CONDENSATE NEUTRALIZER KIT ALL MODELS

**FIELD INSTALLED ACCESSORIES -
ELECTRICAL**

MODEL NO.	DESCRIPTION USED WITH
2TH07700124-	THERMOSTAT- One-stage heat/cool. Manual changeover, integral sub-base. System Switch: Cool-Off-Heat. Fan Switch: Auto-On. ALL P3U MODELS
2TH13700424	THERMOSTAT- One-stage heat. Deluxe 24V with heat only sub-base does not include fan switch. NOTE: For one-stage cool or one-stage heat/cool, must be used with sub-base 2TB17700424.
2TB17700424	SUBBASE (24V) - One-stage heat/cool. Manual changeover, integral sub-base. System Switch: Cool-Off-Heat. Fan Switch: Auto-On.
2ET07700224	THERMOSTAT- One-stage heat/cool. Programmable changeover, with sub-base. System Switch: Cool-Off-Heat. Fan Switch: Auto-On.
6TH13701024	THERMOSTAT- Heating, One-stage heat, No Fan Switch. ALL G9T, FG9 MODELS
6TH07700124	THERMOSTAT- Heating/Cooling, One-stage heat/cool. Manual changeover.
2CT03700124	TWINNING CONTROL ALL MODELS

REPLACEMENT PART CONTACT INFORMATION

This is a generic parts list. To request a complete parts list, refer to the contact information below:

- Visit our website at www.source1parts.com for the following information:
 1. Search for a part or browse the catalog.
 2. Find a dealer or distributor.
 3. Customer Service contact information.
 - a. Click on the "Brand Links" button
 - b. Click on the "Customer Service" button
- You can contact us by mail. Just send a written request to:

**York International
Consumer Relations
5005 York Drive
Norman, OK 73069**

SECTION IV: WIRING DIAGRAM

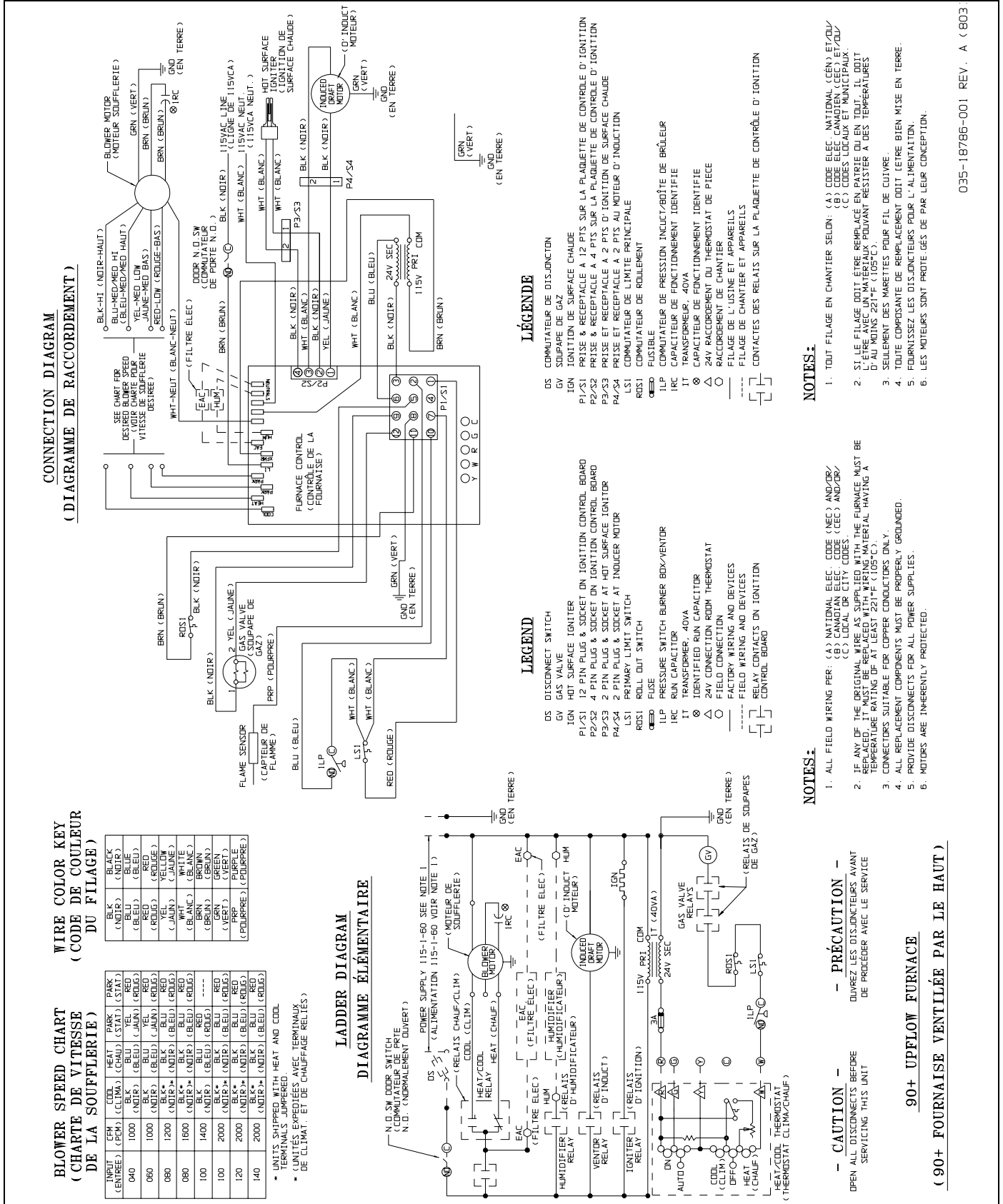


FIGURE 9: Wiring Diagram

Limited Warranty

UPG warrants this product to be free from defects in factory workmanship and material under normal use and service and will, at its option, repair or replace any parts that prove to have such defects according to the terms outlined on the reverse side of this warranty. This warranty covers only the equipment described by the Product Model Number and Serial Number listed on the Warranty Registration Card.

UPG warrants the primary heat exchangers in the product to be free from defects in factory workmanship and material under normal use and service and will at its option, repair or furnish a replacement heat exchanger, either new or reconditioned, that meets the intended fit, use and function of the original heat exchanger for any heat exchanger furnished by UPG which proves to have such defects within the duration of warranty coverage. Alternatively, UPG may, at its option, extend a replacement allowance to be applied toward the purchase of a new furnace or packaged unit marketed by UPG. The exact amount of the allowance will be determined at the discretion of UPG, based upon current market conditions, but in no case shall this allowance exceed thirty (30) percent of the original consumer purchase price of the furnace, excluding such items as ductwork, wiring, piping and installation costs. UPG shall have no responsibility hereunder for installation, shipping, handling or other charges except as specifically provided herein.

For your benefit and protection, return the Warranty Registration Card to UPG promptly after installation. This will initiate the warranty period and allow us to contact you, should it become necessary. In the absence of a recorded Warranty Registration Card, the warranty period will begin upon product shipment from UPG.

This warranty extends only to the original consumer purchaser and is non-transferable. For this warranty to apply, the product must be installed according to UPG recommendations and specifications, and in accordance with all local, state, and national codes; and the product must not be removed from its place of original installation. The warranty period for repair or replacement parts provided hereunder shall not extend beyond the warranty period stated on the reverse side of this warranty.

FURNACE TYPE		HEAT EXCHANGER			PARTS
		Residential Applications		Non-Residential Applications	
		Original Owner	Subsequent Owner		
90%	P*UR / G9T-UP	Lifetime	20	10	5
	FG9-UP	15	N/A	10	1

UPG strongly recommends regular periodic preventative maintenance on this equipment. The person most familiar with the equipment in your HVAC system is a UPG dealer. The UPG dealer can ensure your maintenance program meets the conditions of the "UPG Warranty", maximize the efficiency of the equipment, and service your unit within the mandated guidelines with regard to unlawful discharge of refrigerants into the atmosphere.

This warranty applies only to products installed in the United States and Canada.

EXCLUSIONS

This warranty does not cover any:

- Shipping, labor, or material charges.
- Damages resulting from transportation, installation, or servicing.
- Damages resulting from accident, abuse, fire, flood, alteration, or acts of God (tampering, altering, defacing or removing the product serial number will serve to void this warranty).
- Damages resulting from use of the product in a corrosive atmosphere.
- Damages resulting from inadequacy or interruption of electrical service or fuel supply, improper voltage conditions, blown fuses, or other like damages.
- Cleaning or replacement of filters.
- Damages resulting from failure to properly and regularly clean air and/or water side of condenser and evaporator.
- Damages resulting from: (I) freezing of condenser water or condensate; (II) inadequate or interrupted water supply; (III) use of corrosive water; (IV) fouling or restriction of the water circuit by foreign material or like causes.
- Damages resulting from operation with inadequate supply of air or water.
- Damages resulting from use of components or accessories not approved by UPG (vent dampers, etc.).
- Increase in fuel or electric cost.

THIS WARRANTY IS IN LIEU OF ALL OTHER WARRANTIES, EXPRESSED OR IMPLIED, INCLUDING THE IMPLIED WARRANTIES OF MERCHANTABILITY AND FITNESS FOR A PARTICULAR PURPOSE.

SOME STATES DO NOT ALLOW THE DISCLAIMER OF IMPLIED WARRANTY, SO THAT THE ABOVE DISCLAIMER MAY NOT APPLY TO YOU.

SOME STATES ALLOW ONLY A PARTIAL LIMITATION ON IMPLIED WARRANTIES TO LIMIT THE DURATION OF IMPLIED WARRANTIES TO THE DURATION OF THE EXPRESS WARRANTY. IN SUCH STATES, THE DURATION OF IMPLIED WARRANTIES IS HEREBY EXPRESSLY LIMITED TO THE DURATION OF THE EXPRESS WARRANTY ON THE FACE HEREOF.

IN NO EVENT, WHETHER AS A RESULT OF BREACH OF WARRANTY OR CONTRACT, TORT (INCLUDING NEGLIGENCE) STRICT LIABILITY OR OTHERWISE, SHALL UPG BE LIABLE FOR SPECIAL, INCIDENTAL, OR CONSEQUENTIAL DAMAGES, INCLUDING BUT NOT LIMITED TO LOSS OF USE OF THE EQUIPMENT OR ASSOCIATED EQUIPMENT, LOST REVENUES OR PROFITS, COST OF SUBSTITUTE EQUIPMENT OR COST OF FUEL OR ELECTRICITY. THE ABOVE LIMITATIONS SHALL INURE TO THE BENEFIT OF UPG'S SUPPLIERS AND SUBCONTRACTORS. THE ABOVE LIMITATION ON CONSEQUENTIAL DAMAGES SHALL NOT APPLY TO INJURIES TO PERSONS IN THE CASE OF CONSUMER GOODS.

SOME STATES DO NOT ALLOW THE EXCLUSION OR LIMITATION OF LIABILITY FOR CONSEQUENTIAL OR INCIDENTAL DAMAGES, OR FOR STRICT LIABILITY IN TORT, SO THAT THE ABOVE EXCLUSIONS AND LIMITATIONS MAY NOT APPLY TO YOU.

UPG DOES NOT ASSUME, OR AUTHORIZE ANY OTHER PERSON TO ASSUME FOR UPG, ANY OTHER LIABILITY FOR THE SALE OF THIS PRODUCT. THIS WARRANTY GIVES YOU SPECIFIC LEGAL RIGHTS. YOU MAY ALSO HAVE OTHER RIGHTS WHICH VARY FROM STATE TO STATE.

For Owner's Information:

PRODUCT MODEL NO. _____ INSTALLATION DATE _____
 UNIT SERIAL NO. _____ INSTALLING DEALER _____

Subject to change without notice. Printed in U.S.A.
 Copyright © by York International Corp. 2004. All rights reserved.

035-19592-001 Rev. C (0204)
 Supersedes: 035-19592-001 Rev. B (1203)

**Unitary
 Products
 Group**

**5005
 York
 Drive**

**Norman
 OK
 73069**