



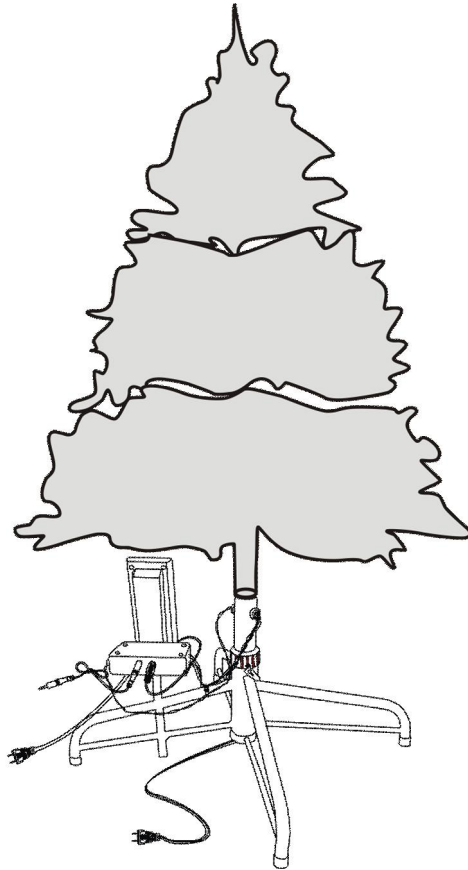
Holiday Living & Design® is a registered trademark of LF, LLC. All Rights Reserved.

ITEM #0206136

# 7.5 FT PRE-LIT 12-FUNCTION TREE

MODEL #W14L0179

Español p. 10



ATTACH YOUR RECEIPT HERE

Serial Number \_\_\_\_\_

Purchase Date \_\_\_\_\_

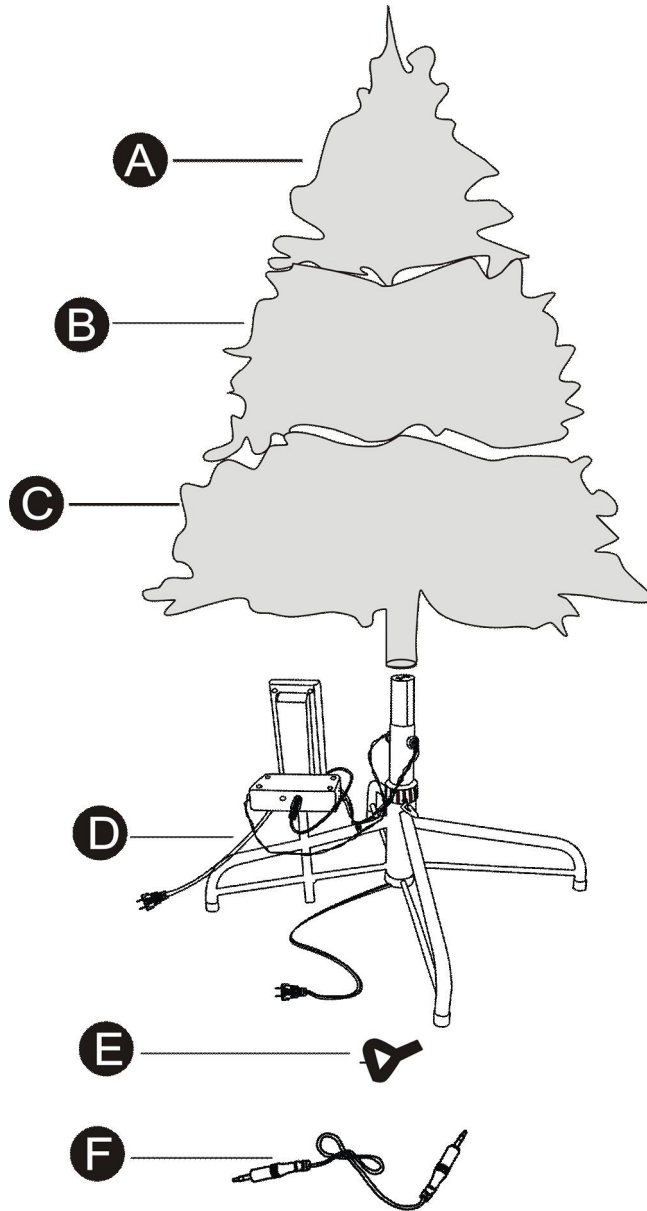


**Questions, problems, missing parts?** Before returning to your retailer, call our customer service department at 1-800-643-0067, 8 a.m. - 6 p.m., EST, Monday - Thursday, 8 a.m. - 5 p.m., EST, Friday.



Lowes.com

# PACKAGE CONTENTS



PART	DESCRIPTION	QUANTITY
A	Top Section	1
B	Middle Section	1
C	Bottom Section	1
D	Base with Speaker and Control Box	1
E	Screw	1
F	Pink Connector	1

# **⚠ SAFETY INSTRUCTIONS**

---

Please read and understand this entire manual before attempting to assemble, operate or install the product.

## **WARNING**

To reduce the risk of electric shock or injury:

- Do not plug in the unit before assembly.
- Keep electric wires clear of being pinched or cut during assembly or installation. Discard sets with cut or damaged insulation.
- For indoor use.

## **⚠ RISK OF FIRE**

Do not replace attachment plug. Discard product if the attachment plug is damaged.

## **CAUTION**

- To reduce the risk of overheating, replace burned-out bulbs promptly. Use 3 volt LED bulbs only.
- These lightings are rated 20 watts (0.02 amps). Do not overload.
- To reduce the risk of electric shock, do not remove cover (or back). No user serviceable parts inside. Refer servicing to qualified personnel.

When using electrical products, basic precautions should always be followed including the following:

## **READ AND FOLLOW ALL SAFETY INSTRUCTIONS**

- Do not use seasonal products outdoors unless marked suitable for indoor and outdoor use. When products are used in outdoor applications, connect the product to a Ground Fault Circuit Interrupting (GFCI) outlet. If one is not provided, contact a qualified electrician for proper installation.
- This seasonal-use product is not intended for permanent installation or use.
- Do not mount or place near gas or electric heaters, fireplaces, candles or other similar sources of heat.
- Do not secure the wiring of the product with staples or nails, or place on sharp hooks or nails.
- Do not let lamps rest on the supply cord or on any wire.
- Unplug the product when leaving the house, when retiring for the night, or if left unattended.
- This is an electric product – not a toy! To avoid risk of fire, burns, personal injury and electric shock it should not be played with or placed where small children can reach it.
- Do not use this product for other than its intended use.
- Do not hang ornaments or other objects from cord, wire or light string.
- Do not close doors or windows on the product or extension cords as this may damage the wire insulation.
- Do not cover the product with cloth, paper or any material not part of the product when in use.
- This product is equipped with push-in type bulbs. Do not twist bulb.
- This product has a polarized plug (one blade is wider than the other) as a feature to reduce the risk of electric shock. This plug will fit in a polarized outlet only one way. If the plug does not fit fully in the outlet, reverse the plug. If it still does not fit, contact a qualified electrician. Do not use with an extension cord unless plug can be fully inserted. Do not alter or replace the plug.
- For connection to a supply not in the U.S.A., use an attachment plug adaptor of the proper configuration for the power outlet, if needed.
- Do not use a cracked, frayed, or damaged cord. Inspect the cord periodically.
- Do not abuse cord. Do not carry product by the cord or yank or pull it to disconnect from the outlet.
- Disconnect the product from the outlet when not in use.



- **CAUTION** – If the connector of this lighting string does not properly fit into the connector of the driver, do not modify the product and discard product if the connector is damaged.
- Do not use this apparatus near water.
- Do not install near any heat sources such as radiators, heat registers, stoves, or other apparatus (including amplifiers) that produce heat.
- Clean only with dry cloth.
- Do not block any ventilation openings. Install in accordance with the manufacturer's instructions.
- Protect the power cord from being walked on or pinched particularly at plugs, convenience receptacles, and the point where they exit from the apparatus.
- Only use attachments/accessories specified by the manufacturer.
- The apparatus shall not be exposed to dripping or splashing and that no objects filled with liquids, such as vases, shall be placed on the apparatus.
- The main plug is used as the disconnect device, which shall remain readily operable.

- **WARNING:** To reduce the risk of fire or electric shock, do not expose this apparatus to rain or moisture.
- Heed all warnings.
- Read and follow all instructions that are on the product or provided with the product.

## SAVE THESE INSTRUCTIONS

## PREPARATION

Before beginning assembly of product, make sure all parts are present. Compare parts with package contents list. If any part is missing or damaged, do not attempt to assemble, install or operate the product.

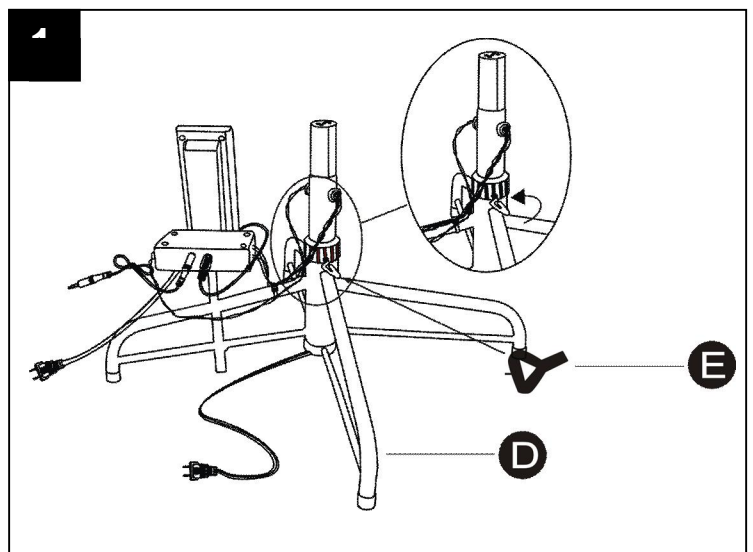
### Estimated Assembly Time: 20 minutes

This tree assembles with Quick Connect™ technology for a faster, easier, and safer convenience.

No tools required for assembly.

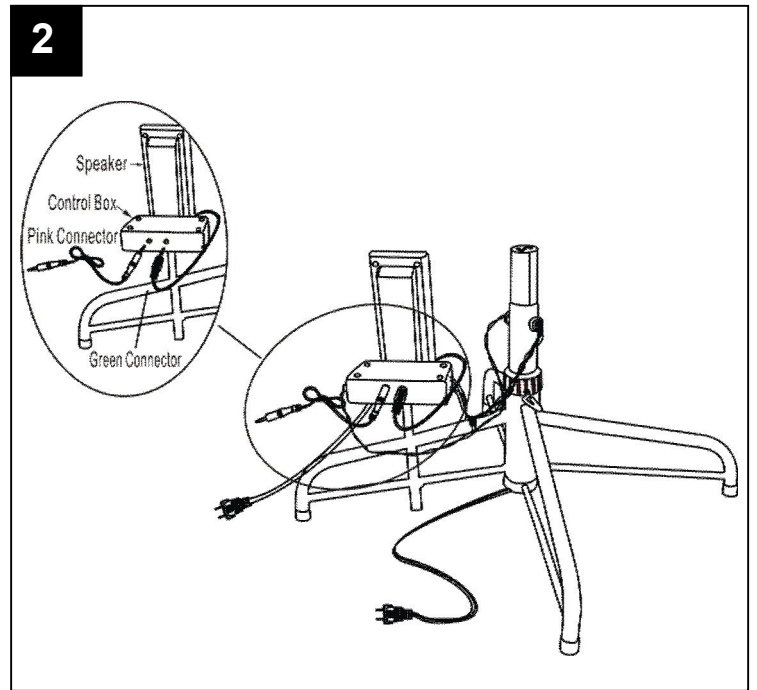
## ASSEMBLY INSTRUCTIONS

1. Place the base (D) on a level surface. Unfold the base (D) and insert the screw (E) into the hole.

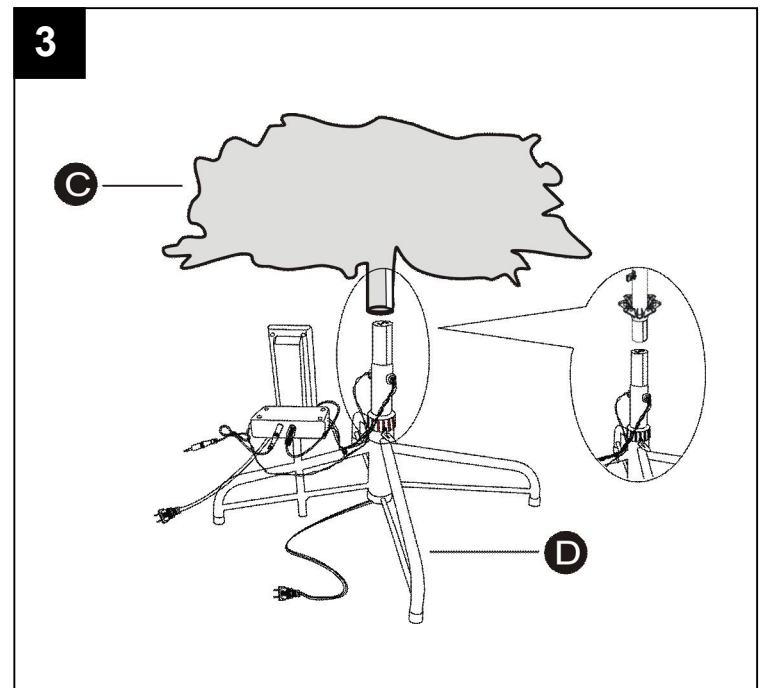


Lowes.com

2. There is equipment on the stand: the green box is a control box, and the black box is a speaker. Connect green control box to the black speaker with green connector provided on the speaker. Connect the pink connector to control box to your selected MP3 player (not included). There is an on/off switch on the side of the speaker, with voice balance and an earphone jack to control the speaker.

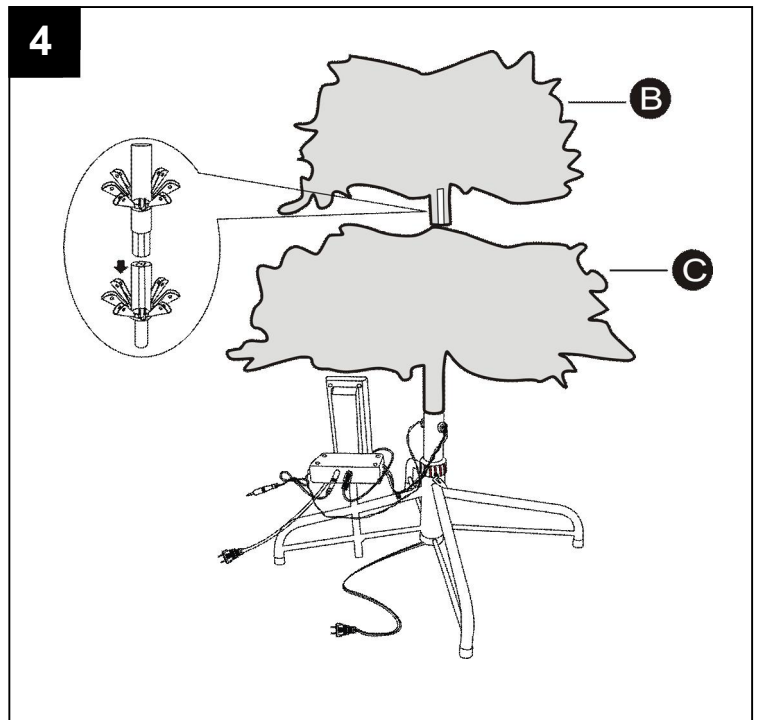


3. Insert bottom section (C) into the base (D). Make sure the groove with white color on bottom section (C) is aligned with the groove with white color on the base (D) and pole is firmly inserted into the base to ensure proper circuit connection.



Lowes.com

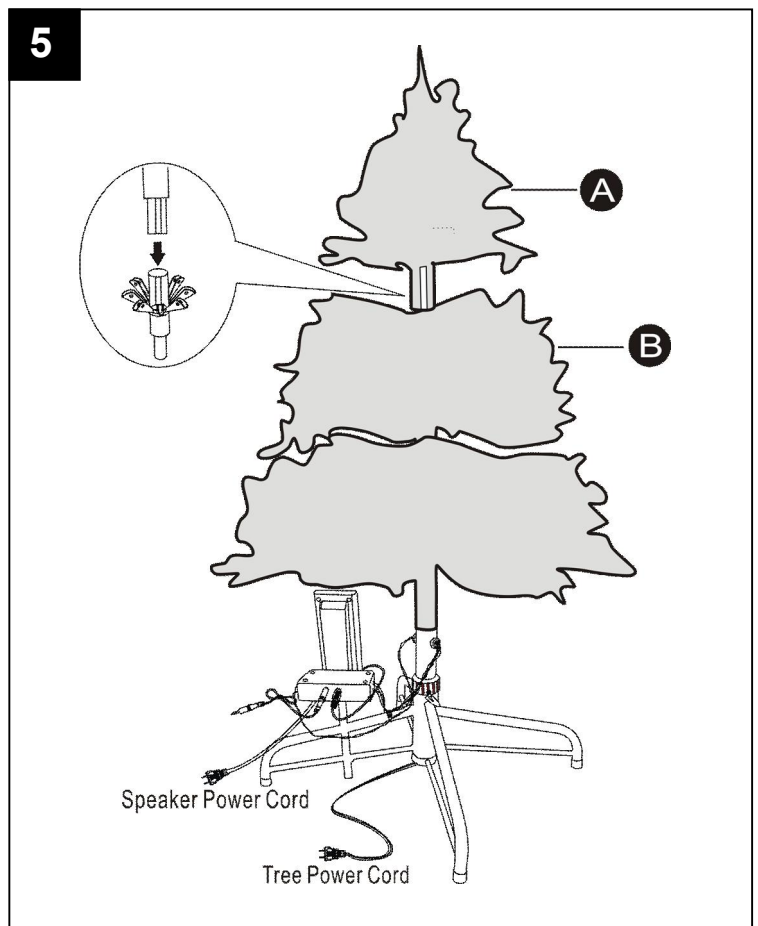
4. Insert middle section (B) into bottom section (C). Make sure the groove with white color on middle section (B) is aligned with the groove with white color on bottom section (C) and pole is firmly inserted into the bottom section to ensure proper circuit connection.



5. Insert top section (A) into middle section (B). Make sure the groove with white color on top section (A) is aligned with the groove with white color on middle section (B) and pole is firmly inserted into the middle section to ensure proper circuit connection.

Plug the speaker power cord and the tree power cord into properly grounded outlets.


If you play songs on your selected MP3 player (not included) and turn on the remote control, the lights will dance to the music and there are another 11 lighting functions for selection.



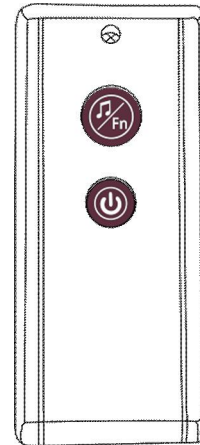
Lowes.com

# How To Use Remote Control:

Please note this tree has a remote control:

1. The small button is for the on/off power switch for the lights.
2. Connect the MP3 player (not included) to the pink connector and press  /Fn button. Select from the following lighting functions:

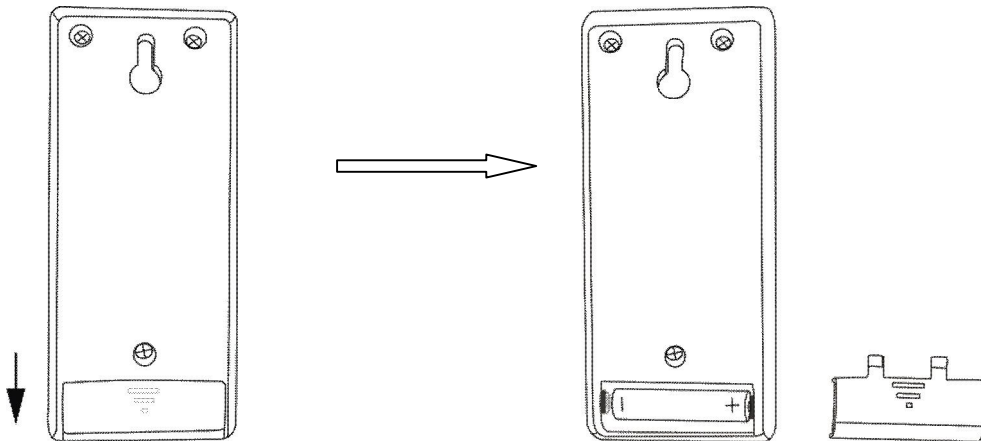
- Function 1: Music Dancing
- Function 2: Auto Combination
- Function 3: Warm White Steady-on, Multi Cascade
- Function 4: Warm White Steady-on, Multi Fade-in & Fade-out
- Function 5: Warm White Fade-in & Fade-out, Multi Steady-on
- Function 6: Steady-on
- Function 7: Warm White Steady-on
- Function 8: Multi Steady-on
- Function 9: Warm White Steady-on, Multi Twinkle
- Function 10: Warm White Twinkle, Multi Steady-on
- Function 11: Warm White Steady-on, Multi Random Twinkle
- Function 12: Fade-in & Fade-out



**If the remote control does not work, check whether the battery of the remote control is out of power.**

## To replace the remote control battery:

1. Slide the cover off the back of the remote control.
2. Replace with a new “23A” (12 volt) battery (not included) into the compartment according to the “+” and “-” direction.



**WARNING:** This is not a toy and is not intended for use by children.

- (A) Do not dispose of the battery in fire as the battery may leak and explode.
- (B) Do not mix old and new batteries and do not mix alkaline, standard (carbon-zinc), or rechargeable (nickel-cadmium) batteries.
- (C) Exhausted batteries are to be removed from the product.
- (D) Use type “23A” (12 volt) batteries.

Safe for indoor use.



Lowes.com

## FCC WARNING

**Warning:** Any changes or modifications to this device not explicitly approved by manufacturer could void your authority to operate this equipment.”

## FCC STATEMENT

This device complies with Part 15 of the FCC rules. Operation is subject to the following two conditions: 1) This device may not cause harmful interference, and 2) this device must accept any interference received, including interference that may cause undesired operation.

**NOTE:** This equipment has been tested and found to comply with the limits for a Class B digital device, pursuant to Part 15 of the FCC Rules. These limits are designed to provide reasonable protection against harmful interference in a residential installation. This equipment generates, uses and can radiate radio frequency energy and, if not installed and used in accordance with the instructions, may cause harmful interference to radio communications.

However, there is no guarantee that interference will not occur in a particular installation. If this equipment does cause harmful interference to radio or television reception, which can be determined by turning the equipment off and on, the user is encouraged to try to correct the interference by one or more of the following measures:

- Reorient or relocate the receiving antenna.
- Increase the separation between the equipment and receiver.
- Connect the equipment into an outlet on a circuit different from that to which the receiver is connected.
- Consult the dealer or an experienced radio/TV technician for help.”

## USER SERVICING INSTRUCTIONS

### Replacing the lamp

- Grasp plug and remove from the receptacle or other outlet device. Do not unplug by pulling on the cord.
- Remove the reflector of the bulb (Fig. 1).
- Pull bulb straight out of socket. Do not twist bulb (Fig. 2).
- Replace burned-out bulb with 3.0 volt, 0.06 watt LED bulb ONLY. Directly insert the LED bulb into the lampholder (Fig.3).
- Insert the reflector into the LED bulb (Fig. 4).
- If the bulb doesn't light up, change the LED bulb's direction to insert into the lampholder (replacement bulbs are provided) (Fig. 5).

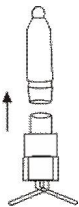


Fig. 1

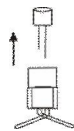


Fig. 2

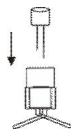


Fig. 3

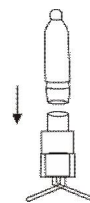


Fig. 4

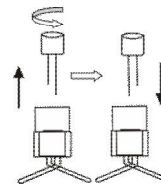


Fig. 5



# CARE AND MAINTENANCE

- Before using or reusing, inspect product carefully. Discard any products that have cut, damaged or frayed wire insulation or cords, cracks in the lampholders or enclosures, loose connections, or exposed copper wire.
- When storing the product, carefully remove the product from wherever it is placed to avoid any undue strain or stress on the product conductors, connections, and wires.
- When not in use, store neatly in a cool, dry location protected from sunlight.

# TROUBLESHOOTING

PROBLEM	POSSIBLE CAUSE	CORRECTIVE ACTION
The product does not light.	1. One or more of the bulbs are loose or out of the sockets.	1. Unplug the product. Starting with the first unlit bulb, gently push (don't twist) each bulb firmly into the socket. At the same time, look and feel for a broken bulb in the socket or an empty socket where a bulb has fallen out.
A bulb is broken.	1. The bulb was impacted or shifted during transport.	1. Mark the bulb with a piece of tape and unplug the product before removing the bulb socket and any fragments. Replace the broken bulb. Should a light flicker while doing this, you have probably found the faulty bulb. Replace with a new bulb.
A bulb is burned out.	1. Incorrect bulb or voltage is too high.	1. The remaining bulbs will stay lit; however, it is best to replace any burned out bulbs as soon as you find them.

# REPLACEMENT PARTS LIST

For replacement parts, call our customer service department at 1-800-643-0067, 8 a.m. - 6 p.m., EST, Monday - Thursday, 8 a.m. - 5 p.m., EST, Friday.

PART	DESCRIPTION	PART #
A	BULB	W14L0179



Printed in China

Holiday Living & Design® is a registered trademark of LF, LLC. All Rights Reserved.

Lowes.com

