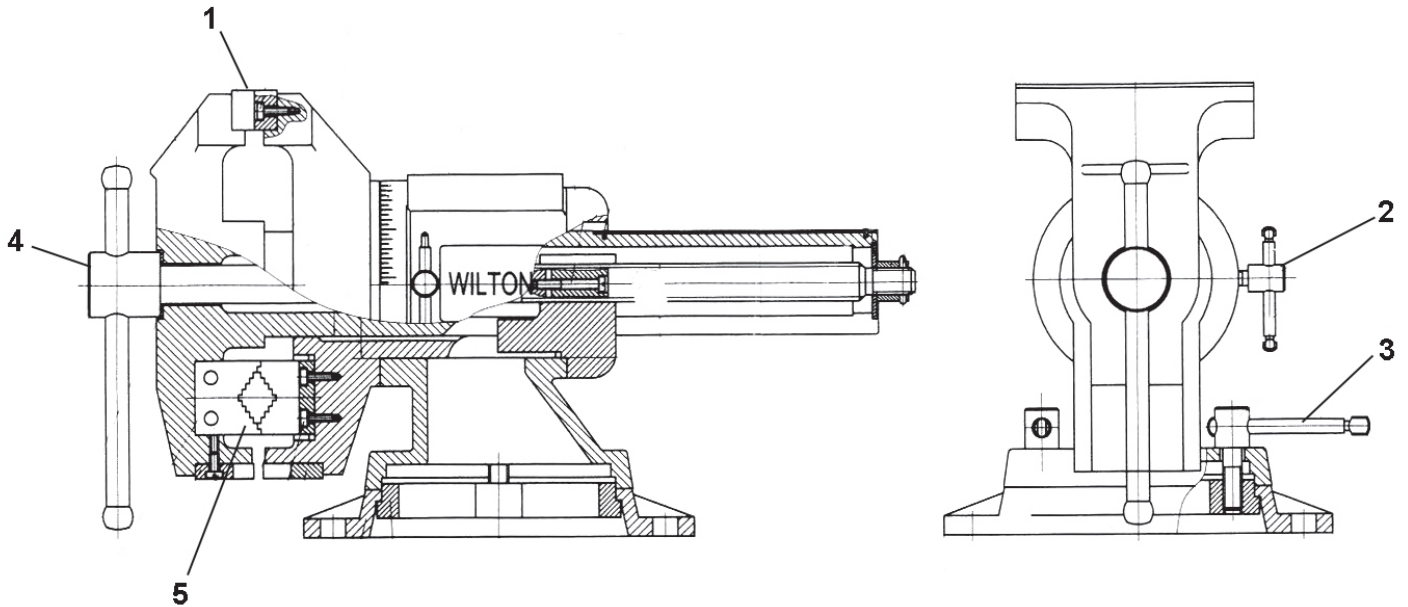




## 5" Multi-Purpose Vise - Parts Diagram

5" Jaw Width, 5-1/4" Jaw Opening, 3" Jaw Depth

Stock #: 69999



| # | Part     | Description                   |
|---|----------|-------------------------------|
| 1 | 69999S41 | Jaw Assembly with screws      |
| 2 | 69999S42 | Lockdown Handle               |
| 3 | 69999S43 | Rotational Lockdown Handle    |
| 4 | 69999S44 | T-Handle and Spindle          |
| 5 | 69999S45 | Pipe Jaw Assembly with screws |

WILTON  
427 New Sanford Road  
LaVergne, Tennessee 37086  
Ph.: 800-274-6848  
www.wiltontools.com

Part No. M-69999  
Revision B 08-2014

Copyright © 2014 WILTON, a Division of JPW Industries, Inc.