



**Laerdal**

helping save lives



**SimPad**  
**Quick-Start-Guide**  
**2011-November 22**

## CONTENT

<b>DESCRIPTION</b> .....	<b>3</b>
<b>SAFETY INSTRUCTIONS</b> .....	<b>3</b>
User Environment .....	3
Water and Moisture.....	3
Cleaning.....	3
Lightning .....	3
Dust .....	3
Servicing .....	3
Accessories .....	3
<b>THE INTERNAL BATTERY IN THE SIMPAD</b> .....	<b>3</b>
Caution .....	3
Danger.....	4
<b>START-UP YOUR SIMPAD</b> .....	<b>5</b>
<b>SHUT-DOWN</b> .....	<b>6</b>
<b>POWER THE SIMPAD</b> .....	<b>6</b>
Connect SimPad with other accessories.....	7
<b>WIFI</b> .....	<b>7</b>
<b>UPDATES</b> .....	<b>7</b>
<b>FCC STATEMENT</b> .....	<b>8</b>
<b>CANADIAN ICES-003 STATEMENT</b> .....	<b>8</b>
<b>CE COMPLIANCE STATEMENT</b> .....	<b>9</b>

## DESCRIPTION

The SimPad is your simulation facilitation assistant. With the SimPad an instructor may control and record simulation activities.

With the Simpad you are able to perform simulations, preparing yourselves for real-life situations.

## SAFETY INSTRUCTIONS

For your protection, please read these safety instructions completely before you connect the equipment to the power source. Carefully observe all warnings, precautions and instructions both on the apparatus and in these operating instructions. Retain this manual for future reference.

### User Environment

Protect the device against dust and moisture.

### Water and Moisture

Do not operate the apparatus under or near water—for example near a bathtub, kitchen sink, or laundry tub, in a wet basement, near a swimming pool or in other areas with high humidity.

- Never install jacks for communication cables in wet locations.
- Do not operate the product with wet hands.

### Cleaning

Unplug the apparatus from communication lines, mains power outlet or any power source before cleaning or polishing. Do not use liquid cleaners or aerosol cleaners. Use a lint-free cloth lightly moistened with water for cleaning the exterior of the apparatus.

### Lightning

Never use this apparatus, or connect/disconnect communication cables or power cables during lightning storms.

### Dust

Do not operate the apparatus in areas with a high concentration of dust.

### Servicing

Do not attempt to service the apparatus yourself because opening or removing covers may expose you to dangerous voltages or other hazards, and will void the warranty. Refer all servicing to qualified service personnel.

### Accessories

Use only accessories specified by the manufacturer, or sold with the apparatus.

## THE INTERNAL BATTERY IN THE SIMPAD

### Caution

If the internal battery packs in the SimPad is mishandled, the battery pack can burst, cause a fire or even chemical burns. Observe the following cautions:

- Use only the SimPad battery with the SimPad.
- Do not expose to high temperatures, such as in direct sunlight or in a car parked in the sun.
- Replace only with the same type of battery.
- Be sure to charge the SimPad using only the supplied battery charger or a recommended charging device that can charge the batteries.
- Keep the SimPad dry.
- Dispose of used battery pack promptly and according to local legislations.

## Danger

- Do not disassemble, crush, puncture, or short external contacts or and do not allow metal objects to come into contact with the battery terminals.
- Do not try to repair the battery, it may cause explosion.
- Do not incinerate or dispose of in fire, the battery may explode or release toxic materials.
- Do not dispose of in water.
- Do not handle damaged or leaking lithium ion batteries.

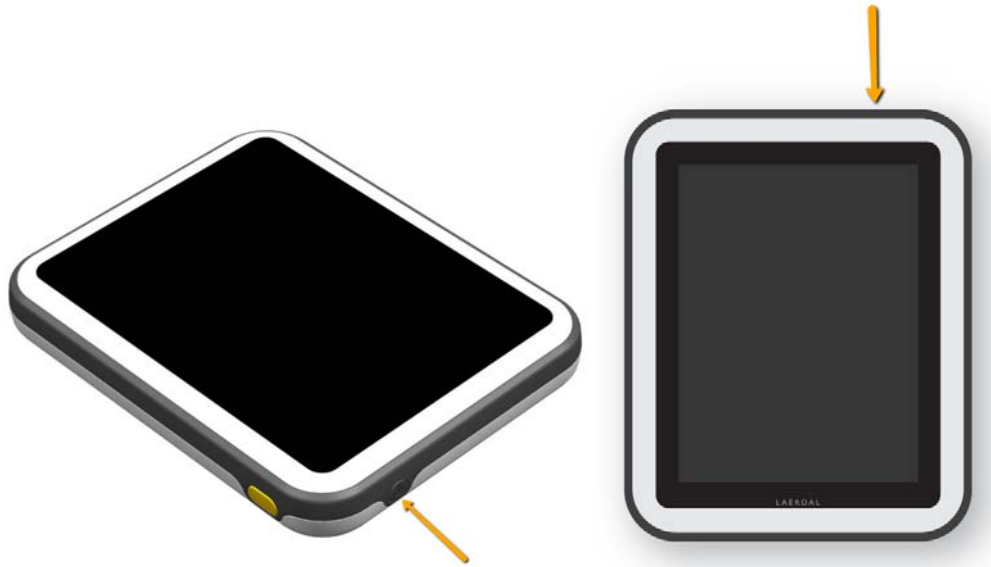
## Industry Canada Rules

This device complies with RSS-210 of the Industry Canada Rules. Operation is subject to the following two conditions: (1) This device may not cause harmful interference, and (2) this device must accept any interference received, including interference that may cause undesired operation.

Ce dispositif est conforme à la norme CNR-210 d'Industrie Canada applicable aux appareils radio exempts de licence. Son fonctionnement est sujet aux deux conditions suivantes: (1) le dispositif ne doit pas produire de brouillage préjudiciable, et (2) ce dispositif doit accepter tout brouillage reçu, y compris un brouillage susceptible de provoquer un fonctionnement indésirable.

## START-UP YOUR SIMPAD

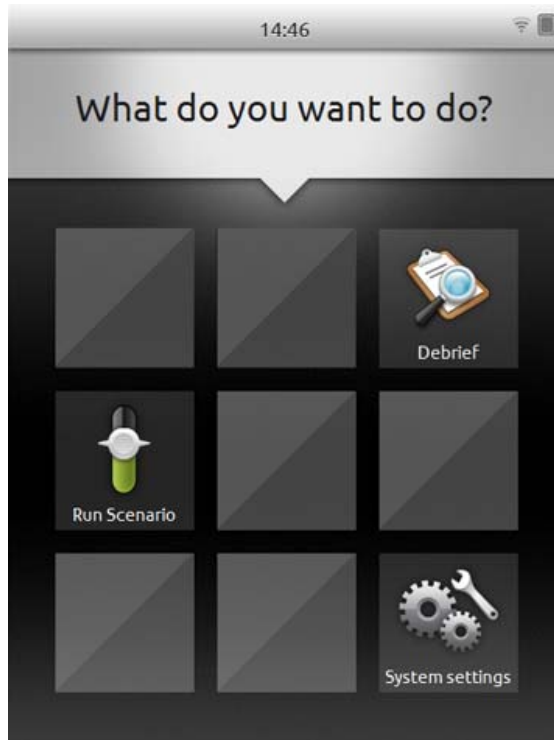
1. Press the ON/OFF button on the SimPad for at least half a second – and release it.



2. A red, later green light will appear on SimPad during start-up. Start-up may take several seconds. On the SimPad this image will appear after some seconds:



3. When the welcome screen shows on the SimPad you are ready to start:



4. Choose the application applicable for your training.

## **GOOD LUCK SIMULATING!**

### **SHUT-DOWN**

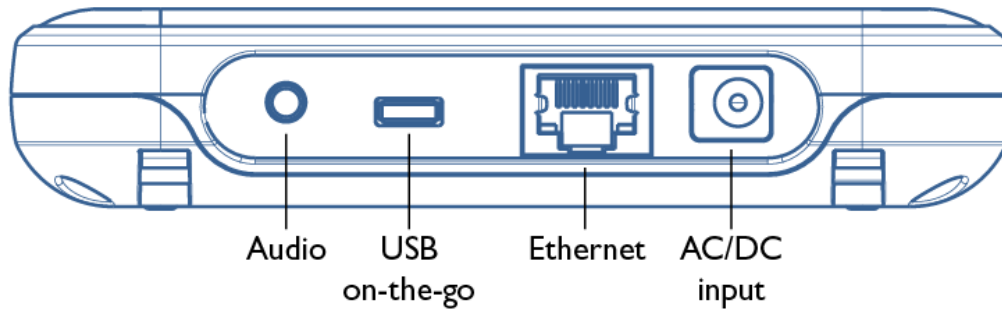
- Turn of the SimPad by pressing the ON/OFF button for at least 0,5 seconds. You will be prompted if you really want to shut down the SimPad. The LED will blink in green for about 10-20 seconds until it has shut-down properly.
- The SimPad will turn itself off if there has been no activity for a customizable period of time.
- To force the SimPad to turn off, press and hold the ON/OFF button for 5 seconds.

### **POWER THE SIMPAD**

#### **Using the internal battery**

SimPad is equipped with an internal lithium-ion with capacity to bring you through most common simulations sessions on one charge.

## To mains using AC/DC adapter



The SimPad may be powered from the mains using the supplied AC/DC adaptor. Plug it in to the appropriate AC/DC input connector.

### Charging the battery

When connected to the AC/DC adapter, the SimPad will be charged. The battery will be charging also while operating it; however it will charge faster when the SimPad is not in use.

The light is blinking orange while charging – and steady orange when fully charged.

### Connect SimPad with other accessories

#### USB accessories

#### Audio

#### WIFI

The SimPad is WiFi-enabled.

Standards: 802.11 b/g (2.4 GHz)

Operation mode: Infrastructure and Ad Hoc. Encryption support.

#### UPDATES

The SimPad software may be updated through a USB memory stick.

## FCC STATEMENT

This device complies with part 15 of the FCC rules. Operation is subject to the following two conditions:

- (1) This device may not cause harmful interference
- (2) This device must accept any interference received, including interference that may cause undesired operation.

This equipment has been tested and found to comply with the limits for a Class B digital device, pursuant to Part 15 of the FCC rules. These limits are designed to provide reasonable protection against harmful interference in a residential installation. This equipment generates, uses, and can radiate radio frequency energy and, if not installed and used in accordance with the instructions, may cause harmful interference to radio communications. However, there is no guarantee that interference will not occur in a particular installation. If this equipment does cause harmful interference to radio or television reception, which can be determined by turning the equipment off and on, the user is encouraged to try to correct the interference by one or more of the following measures:

- Reorient or relocate the receiving antenna.
- Increase the separation between the equipment and receiver.
- Connect the equipment into an outlet on a circuit different from that to which the receiver is connected.
- Consult the dealer or an experienced radio/TV technician for help.

The use of shielded I/O cables is required when connecting this equipment to any and all optional peripheral or host devices. Failure to do so may violate FCC rules.

**Antenna statement :** This transmitter must not be co-located or operating in conjunction with any other antenna or transmitter.

**IMPORTANT** Changes or modifications not covered in this manual must be approved in writing by the manufacturer's Regulatory Engineering Department. Changes or modifications made without written approval may void the user's authority to operate this equipment.

## RADIATION EXPOSURE STATEMENT

The product comply with the FCC portable RF exposure limit set forth for an uncontrolled environment and are safe for intended operation as described in this manual. The further RF exposure reduction can be achieved if the product can be kept as far as possible from the user body or set the device to lower output power if such function is available.

## RADIATION EXPOSURE STATEMENT:

The product comply with the Canada portable RF exposure limit set forth for an uncontrolled environment and are safe for intended operation as described in this manual. The further RF exposure reduction can be achieved if the product can be kept as far as possible from the user body or set the device to lower output power if such function is available.

## Déclaration d'exposition aux radiations:

Le produit est conforme aux limites d'exposition pour les appareils portables RF pour les États-Unis et le Canada établies pour un environnement non contrôlé.

Le produit est sûr pour un fonctionnement tel que décrit dans ce manuel. La réduction aux expositions RF peut être augmentée si l'appareil peut être conservé aussi loin que possible du corps de l'utilisateur ou que le dispositif est réglé sur la puissance de sortie la plus faible si une telle fonction est disponible.



**CANADIAN ICES-003 STATEMENT**

This Class B digital apparatus meets all of the requirements of the Canadian Interference-Causing Equipment Regulations.

Cet appareil numérique de la classe B respecte toutes les exigences du Règlement sur le matériel brouilleur du Canada.

**CE COMPLIANCE STATEMENT**

This product was tested and found to comply with all the requirements of the EMC Directive 2004/108/EC as amended.