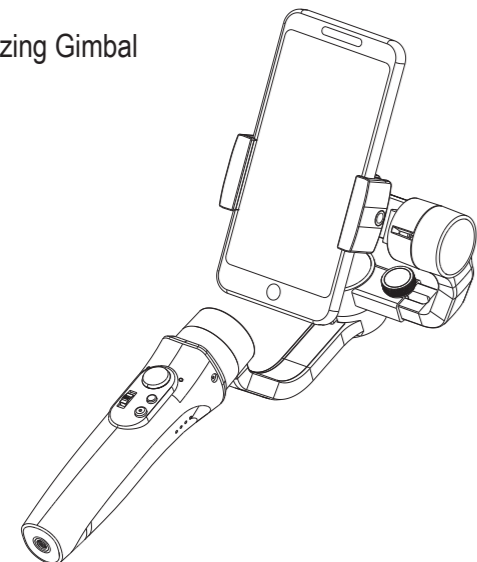


# 3-Axis Handheld Stabilizing Gimbal for Smartphone

Quick Guide **V1.1**

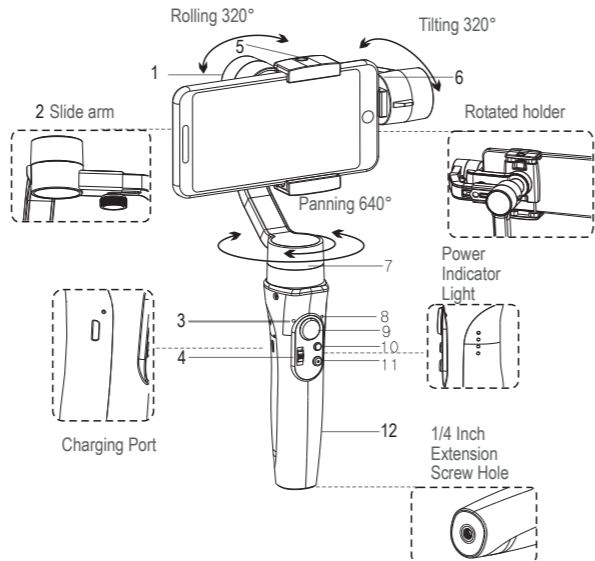


**Dispho**

## Product overview

1. Roll Motor
2. Slide arm
3. Bluetooth Light
4. Zoom In/Zoom Out Screw Hole
5. 1/4 Inch Extension
6. Tilt Motor
7. Pan Motor
8. Mode Light
9. Joystick
10. Mode Button
11. ON/OFF (Shutter Button)
12. Handle( Battery inside)

\*Smartphone not included

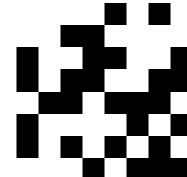


01

## Installation Instruction

Install the 'Gimbal Studio'App

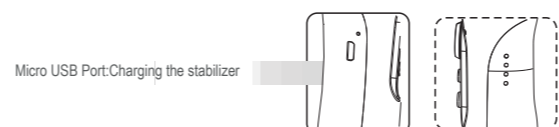
Search for 'Gimbal Studio'in the App Store or Google Playand install the app on your mobile phone.



\*'Gimbal Studio' supports iOS 9.0 and Android 8.0 or above.

## Stabilizer Charging& Smartphone Charging

Fully charge the stabilizer before using it for the first time. Using the standard USB cable connecting to the stabilizer charging port. (or other power sources)



Micro USB Port:Charging the stabilizer

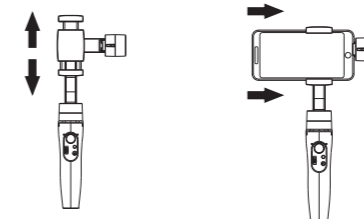
02

- A. 4Led lights indicators  
 4Led lights on means power is 100%  
 3Led lights on means power is 75%  
 2Led lights on means power is 50%  
 1Led lights on means power is 25%
- B. Indicator Light Fast Flashing: Charging status  
 C. Indicator Light Solid: Fully charged status

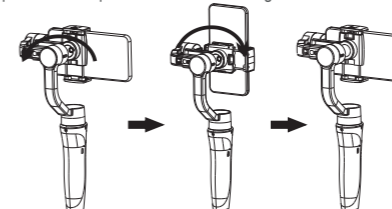
## Mount the Smartphone

Please make sure the gimbal is turned off before mount the phone and we suggest remove the phone case.

- (1) Push and open the phone clamp, insert the smartphone until the home button side as close as possible against to the tilt motor.



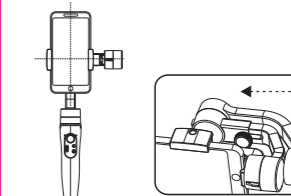
NOTE: The phone Home button side must be placed closed to the tilt motor and ensure it is fixed tightly in order to avoid the gimbal shaking.  
 (2) Manually rotate the phone clamp to make the phone in vertical shooting.



\*8 shifts for optional

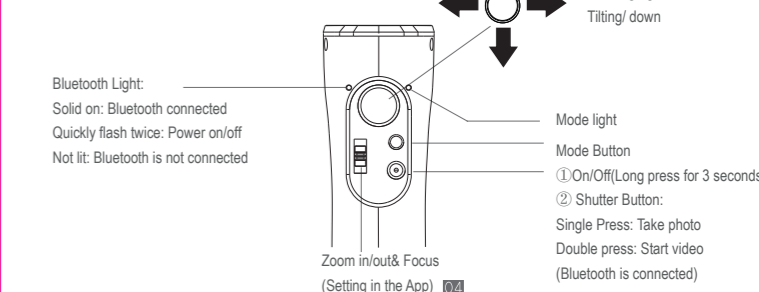
03

## Balance the smartphone



To adjust the smartphone gravity center by sliding arm until it keeps balance on the tilt axis to ensure the best stabilizing status and endurance time.

## Operation Instruction



04

Mode Button Operation	Work Modes	Mode Light	Instruction
Single Click	Pan Following	Flash for once (Quick flash)	Default mode. tilt & roll axis both locked, camera can move to left or right smoothly.
Double Click	Pan& Tilt Following	Flash for twice	Roll axis locked, camera can move to left/right, and tilt up/down.
Triple click	All Locked	Flash for triple	The camera stays in its current orientation.
Quartic Click	All Following	Flash for once(Slow flash)	Tilt axis, roll axis and pan axis all follow.
Long Press For 6 Seconds	Calibration	Solid on	Calibration will be needed when tilt or roll angle not leveled with horizontal surface, or pan angle drift in lock mode.

## APP Guideline

1. Enable the Bluetooth on the mobilephone.

For iPhone, please off "Portrait Orientation".  
 For Android phone, please enable "Auto-rotate screen".

2. Open the App, choose the product model then confirm into Bluetooth connection.

Gimbal Studio It's the better to connect bluetooth in the APP,rather than setting in mobile phone

3. Make sure the gimbal indicator keeps on.

\*Make sure the gimbal indicator keeps on.

05

## Calibration

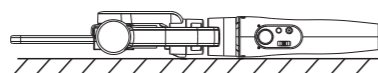
1. If the gimbal has the following situations, please calibrate it:

- ① The pitch angle is not leveled with the horizontal surface.
- ② The roll angle is not parallel to the horizontal surface.
- ③ Under the lock mode, the panning angle drifting.

2. Calibration Operation Instruction:

Method 1: Off-line Calibration

- (1)Power on the gimbal(around 3 seconds), long press the mode button over 6 seconds till the mode light is solid.
- (2)Lay the gimbal on a static flat surface; make sure it has no shaking Calibration is finish when the mode light is continuously flashing for 3 times.



- (3) Power off the gimbal and restart it, if the calibration is unsuccessful, you can repeat step(1)(2)to reinitialize.

Method 2: 6-Side Calibration Via App

Please ensure the stabilizer is connected with App via bluetooth, then enter "Calibration" and follow the tips to calibrate in the App

## Firmware Upgrade

Please ensure the stabilizer is connected with App via Bluetooth, then enter the "Firmware Upgrade" and follow the tips to upgrade the latest firmware.

06

## Disclaimer

1. Please install and use the product according to the manual!
2. Please use the standard battery charger!
3. Please reconfirm the gimbal and the smartphone are well installed before power on!
4. Keep the battery away from fire and heat source!
5. Prohibit any user for any illegal purpose. Users will be responsible for all behavior of purchasing and using the products.
6. For any unknown sources or usage, we will not provide any service.
7. If there is any question, please contact the technician of Hohem Tech, we won't be responsible for any wrong operations by users.
8. Hohem Tech reserves the right for final explanation.

## Certificate of approval



07

## Warranty card

1. 15 days upon date of purchase, if there is function problem, the commodity and package without any damage, after we check and confirm, we wer the same product for replacement.
2. Warranty valid only under normal use.
3. Used in the normal circumstances, 1 year warranty, maintenance of life(not include the All accidents or man-made damage, teardowns or misuse damage is outside the scope of the warranty.
4. Please keep the warranty card properly and show them together when asking for free of charge repair If you failed to provide the warranty card or to alter it, maybe cause we deal with the product as without warranty.
5. All accidents or man-made damage, teardowns or misuse damage is outside the scope of the warranty.

User name: .....

Contact No.: .....

Address: .....

Purchase date: .....

Prod serial No.: .....

Failure issue: .....

Service record: .....

08

Gendelson Plastic Electronics(Shenzhen) Co., Ltd.  
 Shenzhenshlonghua, Dalang Street, Yingtai Industrial Zone, Building E

09

### **Federal Communication Commission (FCC) Radiation Exposure Statement**

The device has been evaluated to meet general RF exposure requirement, The device can be used in portable exposure condition without restriction Federal Communication Commission (FCC) Radiation Exposure Statement Power is so low that no RF exposure calculation is needed.

This device complies with part 15 of the FCC rules. Operation is subject to the following two conditions: (1) this device may not cause harmful interference, and (2) this device must accept any interference received, including interference that may cause undesired operation.

NOTE: The manufacturer is not responsible for any radio or TV interference caused by unauthorized modifications or changes to this equipment. Such modifications or changes could void the user's authority to operate the equipment.

NOTE: This equipment has been tested and found to comply with the limits for a Class B digital device, pursuant to part 15 of the FCC Rules. These limits are designed to provide reasonable protection against harmful interference in a residential installation. This equipment generates uses and can radiate radio frequency energy and, if not installed and used in accordance with the instructions, may cause harmful interference to radio communications. However, there is no guarantee that interference will not occur in a particular installation. If this equipment does cause harmful interference to radio or television reception, which can be determined by turning the equipment off and on, the user is encouraged to try to correct the interference by one or more of the following measures:

- Reorient or relocate the receiving antenna.
- Increase the separation between the equipment and receiver.
- Connect the equipment into an outlet on a circuit different from that to which the receiver is connected.
- Consult the dealer or an experienced radio/TV technician for help.

FCC Caution: Any changes or modifications not expressly approved by the party responsible for compliance could void the user's authority to operate this equipment.