

Pen Digitizer User Manual

Winpal Electronics Corp.

Notices

FCC Notice

This equipment generates and uses radio frequency energy and if not installed and used in accordance with the manufacturers instructions, it may cause interference to radio and television reception. This equipment has been tested and certified to comply with the limits for a Class B computing device, pursuant to sub-part J of Part 15 in the FCC Regulations, which are designed to provide reasonable protection against such interference in a residential installation.

However there is no guarantee that interference will not occur in a particular installation. If this equipment does cause interference to radio or television reception, which can be determined by turning the equipment off and on, the user is encouraged to try to correct the interference by one or more of the following methods.

- * Reorient the receiving antenna.
- * Relocate the computer with respect to receiver.
- * Plug the computer into a different power outlet so the computer and receiver are on different branch circuits.

If necessary, the user should consult with the dealer or an experienced radio/television technician for additional suggestions. The user may find the following Federal Communications Commission booklet helpful

"How to Identify and Resolve Radio-TV Interference Problems."

This booklet is available from the US Government Printing Office, Washington DC, 20402, Stock Number 004-000-00345-4.

Copyright

1993-1998 by Winpal Electronics Corp. This publication may not be reproduced or transmitted in any form by any means without prior written permission of the publisher. Microsoft, Windows, and the Windows logo are registered trademarks of Microsoft Corporation.

Contents

Chapter 1	Introduction	1
Chapter 2	Installation	2
	Unpacking	2
	Installing the Pen Digitizer hardware	3
	Connecting the hardware to computer	4
	Installation guide for notebook computers	5
	Installing the software	6
Chapter 3	Customizing	11
	Accessing parameters windows	11
	Adjusting the mapping area	12
	Further configuration controls	13
Chapter 4	Questions and Answers	14
	What do I need to use the Pen Digitizer?	14
	What are the buttons on the stylus pen for?	14
	What are absolute and relative coordinators?	14
	How do I remove the driver and PenSurfer?	15
	What are the buttons on OP-906 used for?	16
	How to change the stylus pen to cursor instead?	17
Chapter 5	Troubleshooting	18
	The Digitizer LED light is not on	18
	The cursor does not respond	18
	The cursor movements are erratic	18
	The cursor tracking is off center	19
	There is no cursor	19
	Other problems	19
Chapter 6	How to take care of the Digitizer	20
Chapter 7	Specifications	21

Introduction

Welcome to the Pen Digitizer.

The Pen Digitizer is an easy-to-use data entry device that combines the precision control of a stylus pen with the flexibility and comfort of a cursor. Both the cursor and the pen control the screen cursor.

The stylus pen functions like a pen or pencil and a piece of paper. The pen is capable of all the functions of a mouse, but it is much more precise. Have you ever tried to write your name with a mouse? It is close to impossible, but with the pen it is easy.

Suggested uses for the stylus pen.

The stylus pen is a powerful drawing tool. It will remarkably increase the flexibility and possibilities of almost any software program that involves art, design, or precision pointing.

- * Free hand drawing
- * Computer-aided design
- * Tracing graphics, photographs, or works of art
- * Picking commands on a template
- * Video and photo editing
- * Desktop publishing
- * Calligraphy
- * Handwriting and signature recognition
- * Teaching children how to use a computer.
- * Creating reports, presentations, and graphs.

Installing the hardware

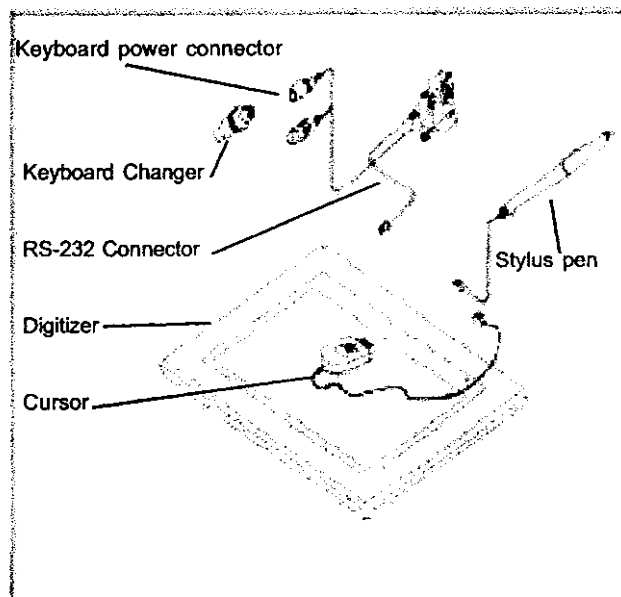
System Requirements

- * IBM-compatible PC with 80486 CPU or higher
- * Windows 95/98 or Windows NT
- * Standard serial port
- * At least 16MB of DRAM
- * At least 20MB of free hard disk space

Unpacking

The following are the main items that make up the Digitizer:

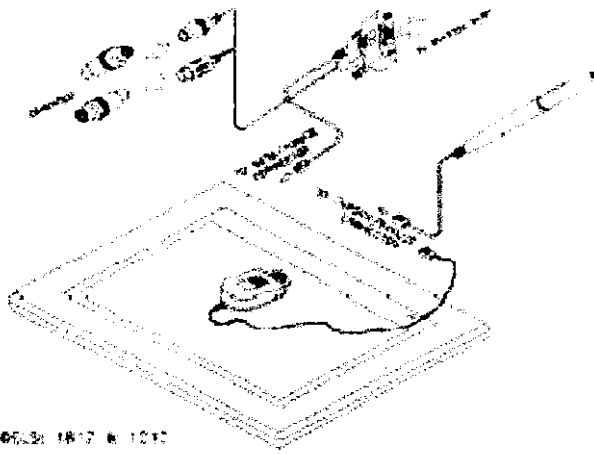
1. Digitizer
2. Stylus pen
3. Cursor
4. Keyboard power connector
5. RS-232C serial port connector
6. Keyboard Changer



- * The Digitizer pictured above may look slightly different if you have a different model.
- * The package should also include a tablet driver on CD-ROM.

Installing the Pen Digitizer hardware

The pen digitizer should look like this.



MODEL 21 18-17 R 1010

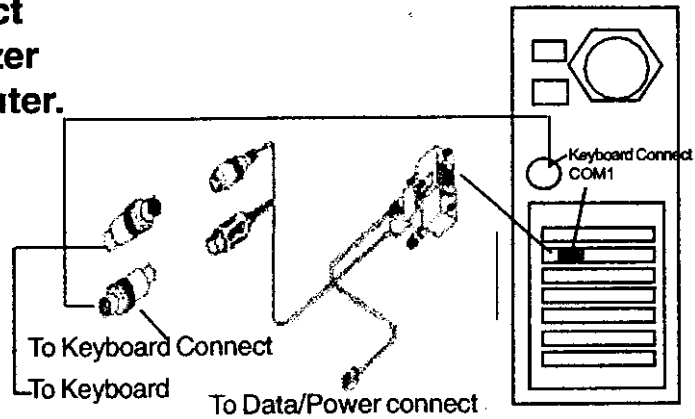
Step-by-step installation guide.

1. Turn off your computer.
2. Unplug the keyboard cable from your computer. (if you have a notebook computer or another kind of computer with an internally connected keyboard, please turn to page 5.)
3. Plug the keyboard cable into the female Keyboard-Power connector.
4. Plug the male Keyboard-Power connector into the keyboard interface of your computer (where the keyboard was plugged in.)
5. Plug the power jack (the smallest of the three plugs) into the back of the RS-232C serial port. This may have already been done in the smaller models.
6. Plug the RS-232C serial port connector into the COM1 or COM2 port in the back of the computer.

* Your computers COM ports may have a 25-pin connection. If this is the case, you will need to use a 9-to-25 pin converter.

Installing the hardware

How to connect
the Pen Digitizer
to your computer.



If your computer has extra COM ports, we recommend you use COM1 or COM2 for the tablet to work correctly.

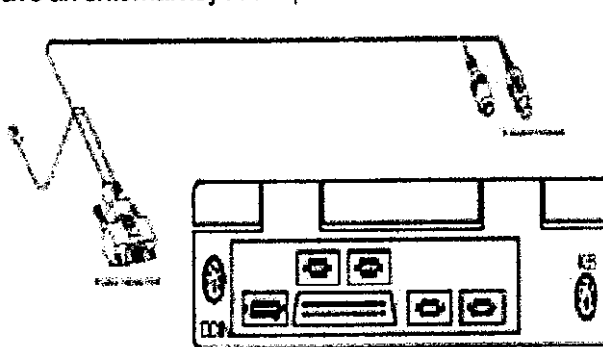
Also, the 9-to-25 pin converter only needs to be used if your COM outlets have a 25-pin connection. If this is the case, plug the RS-232C data connector into the pin converter.

Installing the hardware

Installation guide for notebook computers.

Installing a Pen Digitizer into most notebook computers is almost the same as using a regular computer.

The main difference is that you need to use keyboard change Also, most notebook computers usually do not have an external keyboard power cord.



1. Turn off your computer.
 2. The RS-232C serial port connector comes attached to the larger power cords in most models. To use the PS/2 cords, unplug the power jack from the back of the data connector and replace it with the power jack on the PS/2 cords.
 3. Plug the RS-232C serial port connector into the COM1 or COM2 serial port.
 4. Plug the male Keyboard-Power connector into the keyboard interface of your computer.
- * The female Keyboard-Power connector will usually not be used. It is only used when connected to an external keyboard cable.

Installing the software

Warning before installation

Before installing the driver for the Pen Digitizer, please make sure you do not have a previous pen tablet or digitizer driver in your system.

If you have previously installed a pen tablet, you must first unplug it and delete the old driver from your computer. There should be instructions for this in your previous tablet user guide.

Installation guide for Plug and Play (PnP) Digitizer driver on Windows 95 .

1. Turn on your computer.
2. Connect Digitizer to serial port. Be sure that all of the power chords are properly connected.
3. After Windows has started, insert the CD-ROM into your computer.
4. If you see the New Hardware Found dialog box, select "Driver from disk provided by hardware manufacturer" and press Enter. Type the CD-ROM drive name, for example D:\, and press Enter. Follow the screen prompts.

If you have a newer release of Windows 95, you should see the Update Device Driver Wizard. If so, select Next. The system will then scan your CD-ROM drive and prompt you to continue your installation. When the Wizard dialog appears, type the CD-ROM drive name, for example D:\, and press Enter. Follow the screen prompts.

5. If you see the Insert Disk dialog box, please click Ok button and select same folder name, for example D:\, and press Enter. Follow the screen prompts.
6. If the Plug and Play dialog did not appear for Windows 95, please go to Step 8.
7. When you want to install Multi-language control panel or Pensurfer application, please go Step 8.
8. Go to your Windows Start menu and select run. In the run window, type D (or your CD-ROM drive) \SETUP. Follow the screen prompts.



****Note: PnP Driver supports Control Panel Application for English version Only.
*Pensurfer is a 32 bit pen-related applications for Windows 95 or Windows NT platforms.***

Installing the software

Warning before installation

Before installing the driver for the Pen Digitizer, please make sure you do not have a previous pen tablet or digitizer driver in your system.

If you have previously installed a pen tablet, you must first unplug it and delete the old driver from your computer. There should be instructions for this in your previous tablet user guide.

Installation guide for Digitizer driver on Windows 3.1, 95 (non PnP), NT, and Pensurfer.

1. Turn on your computer.
2. Insert the Digitizer driver CD into your CD-ROM drive.
3. Click on the Start menu and select Run item.



If you replaced your mouse with the tablet, press Ctrl-Esc to open the Start menu. Use the arrow keys to select Run, and then press Enter.

4. In the dialog box, type D:\SETUP. If your CD-ROM has a different drive letter, type that letter instead of D: Click OK and follow the screen prompts.
5. When finished, close all applications and restart your computer. After restarting Windows you will be able to use the pen to move the screen cursor on tablet surface.

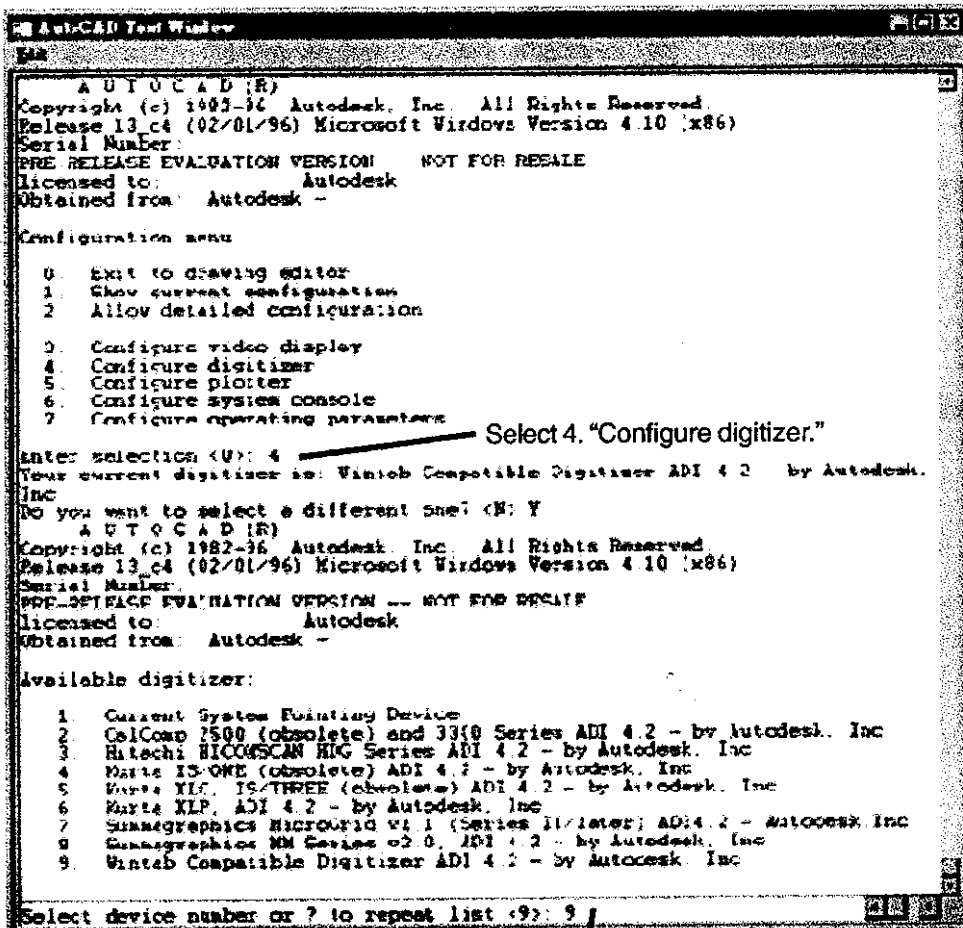


**Pensurfer is a 32 bit pen-related applications for Windows 95 or Windows NT platforms.*

Installing the software

Installation guide for AutoCAD R13/ R14 on Windows 95.

1. Install the Digitizer driver first.
2. Run AutoCAD R13 or R14.
3. In the dialog box, type "config."
4. Follow the screen prompts.



Select 9." Wintab Compatible Digitizer ADI 4.2 -by Autodesk, Inc"

Customizing the Digitizer

How to access the Pen Digitizer parameters window.

You can customize the PenTablet in several ways.

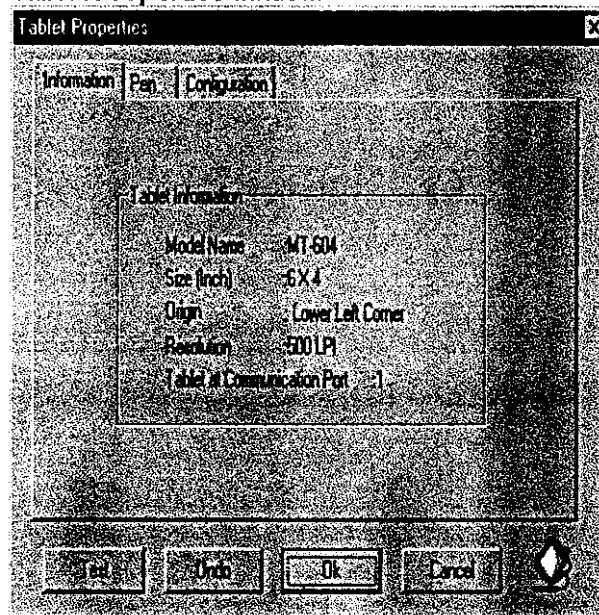
Open **My Computer | Control Panel**.

Look for this icon.



Tablet

Double click on the tablet icon to open the **Pen Tablet Properties** window.



There are three folders inside the Tablet Properties file: **Information, Pen and Configuration.**

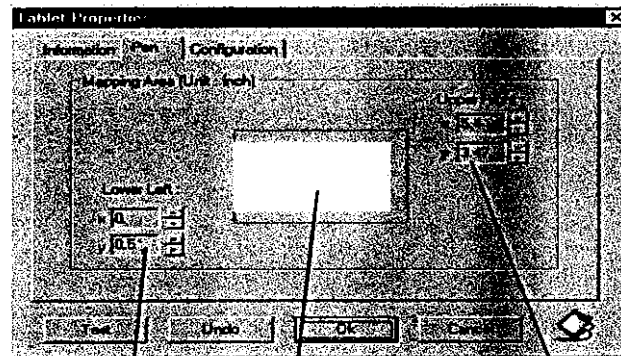
The Information folder (pictured above) displays the basic specifications for the Digitizer. These specifications can not be changed.

(Please see next page for information on adjusting the Tablets parameters.)

Customizing the Tablet

Adjusting the mapping area for the stylus pen.

To adjust the Mapping Area for the stylus pen, click on the Pen folder.



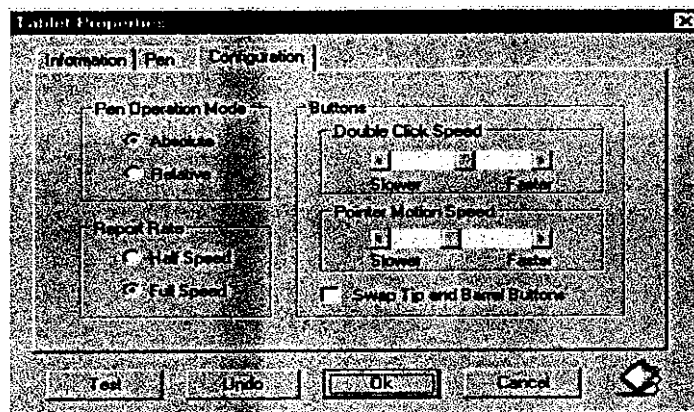
Left coordinates Mapping area Right coordinates

You can change the mapping, or working area of the tablet for both the mouse and the stylus pen. By adjusting the X and Y coordinates for the Lower left corner, or the Upper right corner, you can customize the borders of the tablet.

The white area in the middle of the screen is the tablet mapping area. This will change as the X and Y coordinates change. See picture below for adjusting the mouse Mapping area.

Customizing the Tablet

Adjusting the configuration settings.



Pen Operations Mode:

The stylus pen can be set to operate in absolute or relative mode. The mouse is fixed in relative mode.

Absolute mode means the tablet corresponds exactly to the computer screen. If you move the pen to the corner of the tablet, your cursor will go to the corner of the screen. Relative positioning is like using a standard mouse, where the cursor changes according to the relative movement of the pen.

Double Click Speed:

Double clicking allows you to highlight files. Adjusting the speed will affect both the pen and mouse.

Report Rate:

The Full Speed setting increases the rate that the pen and mouse transmit data. With some software, this will make your drawings smoother, but the files will be larger. Half speed is the default setting.

Pointer Motion Speed:

This setting alters the way your cursor corresponds to the movement of the pen or mouse.

Swap Button:

This setting switches the functions of the pen tip with the button on the pen barrel nearest to the tip.

Questions and Answers

What do I need to use the Digitizer.

The hardware requirements for the tablet are:

- * An IBM-compatible PC with 80486 CPU or higher
- * Windows 95/98, NT, or higher
- * A standard serial port
- * At least 16 MB of DRAM
- * At least 20 MB of free hard disk space.

What are the buttons on the stylus pen used for?

Buttons on the stylus pen or cursor are the same as buttons on a mouse. The pen tip is just like the left button on a mouse. The button on the pen that is near the tip corresponds to the button on the right side of a mouse. The button near the base of the pen is the same as the button in the middle of a mouse.

What are absolute and relative coordinators?

An absolute coordinator means that the digitizer corresponds completely with the computer monitor.

In other words, when you touch the pen to one corner of the tablet, the cursor on your computer monitor moves to that same corner. If the pen is touching the middle of the tablet, the cursor goes to the middle of the monitor.

A relative coordinator is like a mouse. The cursor will move in a direction from wherever it started from. If the cursor is at the bottom of the screen and you push up with the mouse, the cursor will move upwards

Questions and Answers

How do I remove digitizer driver from my system?

Warning: If you follow these directions, you will have to reinstall the Mouse Tablet if you want to use it again.

Remove Windows 95 PnP digitizer driver.

For Windows 95 PnP driver:

1. Press the **Start** button and select.
2. Double click the **Add/Remove** icon in Control Panel.
3. Select the **Pen Tablet Windows 95 Drivers V1.00** option and click **Add/Remove** button.
4. Follow the screen prompts.

Remove digitizer driver for Windows 3.1, 95 (non-PnP), NT.

For Windows 3.1 / 95 / 98, and NT drivers:

1. Press the **Start** button.
2. Select the **Programs** then click on the program folder which name is under **Programs** and assigned when you install tablet driver.
3. Select the **Uninstall** option.
4. Follow the screen prompts.
5. You must **reboot** your computer to complete the removal process.

How do I remove PenSurfer from my system?

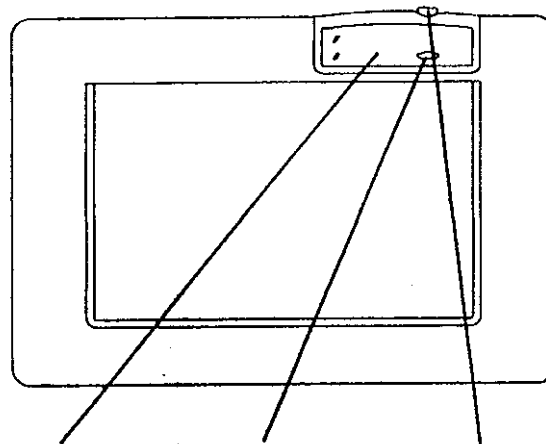
For Windows 95 / 98, and NT user:

1. Press the **Start** button.
2. Select the **Programs** folder and Select **PenSurfer** option.
3. Select the **Uninstall** option.
4. Follow the screen prompts.

Questions and Answers

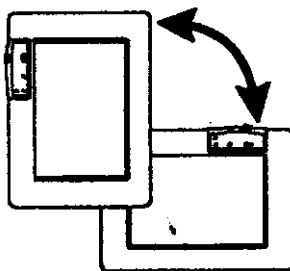
What are the buttons on OP-906 used for?

The OP-906 comes with a **power switch** (the blue button on the top side of the digitizer) that allows you to turn the digitizer off when it is not being used.



Horizontal signal Landscape control Power switch

Vertical mode



Horizontal mode

The OP-906 has a special **landscape control** which supports AutoCAD vertical mode under DOS. When installing the OP-906 in Windows, the tablet can only work in standard horizontal mode (the cursor is not able to cross the full screen when using the vertical mode.)

When the light on the left of the landscape control button is on, the tablet functions in the default horizontal mode. When the button is pressed and the light is off, the tablet switches to vertical mode. The tablet will automatically switch to the horizontal mode each time the power is turned off.

If you are using Windows, make sure that the landscape light is on, as well as the power light (in the top left corner) and the cursor control light (under the power light.)

Questions and Answers

How to change the stylus pen to cursor instead?

1. Remove the cable cover.
2. Un-plug the stylus pen.
3. Plug-in the cursor for instead.
4. Put on the cable cover.

Troubleshooting

The digitizer LED light is not on.

- * Make sure the male connector of the keyboard adapter cable is plugged into the keyboard connector.
- * Make sure the power jack of the keyboard-power cable is plugged into the RS-232C data connector.
- * If the LED light still does not turn on, you may have a defective keyboard/power adapter cable. Please contact your dealer to change the cable with a new one.

The screen cursor does not respond.

- * Check power sources. Make sure everything is connected properly.
- * Check to see if your tablet's LED light is on.
- * Make sure the driver and application software have been installed correctly.
- * Contact your dealer about possible faulty equipment.

The cursor jumps when the stylus pen is moved.

- * The digitizer may be picking up interference from another electromagnetic source. Move the tablet slightly away from your monitor or any other possible jamming source.
- * Make sure the digitizer settings are in accordance with the driver and application software requirements.

Troubleshooting

The cursor tracking is not centered.

- * The tip of the stylus pen may not be fitted properly. Make sure all the parts of the pen are secure.
- * The VGA display driver may not be set properly for your system. Please check to see if the VGA display is able to work with your system.

There is no cursor.

- * Check power sources. Make sure everything is connected properly.

Any other problem.

- * If the Mouse Tablet still remains non-operative, contact your dealer.

Taking care of your tablet

Things you should do.

- Make sure the tablet is always stored in an area between 41 to 104 degrees Fahrenheit, or 5 to 40 degrees Celsius, and between 10 to 80 percent relative humidity.

The tablet may not operate if it is placed in an environment that is beyond the operating range stated above.

How to clean your tablet.

- Disconnect the tablet from its power source before cleaning.
- Never immerse any part of the tablet in any kind of liquid.
- Remove dust and stains with soft cloth dampened with water or neutral detergent.
- Do not use volatile or chemical liquids such as thinner or benzine to clean the tablet.



Never place anything hot (like a coffee cup) on your Digitizer..